
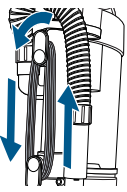
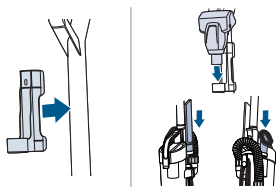
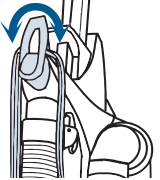
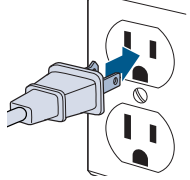
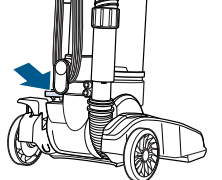
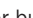



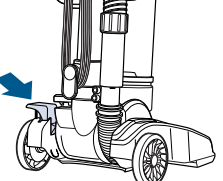
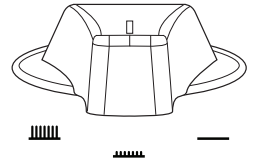
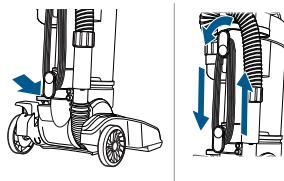

Assembly

▶ Go to support.BISSELL.com for assembly videos.

		
1. Insert handle into base with tab facing back of vacuum. Push down until it clicks.	2. Wrap power cord around upper and lower cord wraps.	3. Attach TurboBrush® tool holder to handle by lining up the hole with the indent on handle. Attach tools by inserting onto on-unit tool holders.

Using Your Vacuum

		
1. Twist upper Quick Release™ cord wrap down to remove cord.	2. Connect power cord plug to a polarized outlet.	3. Press the red power button with your foot to turn the vacuum ON  and OFF  .

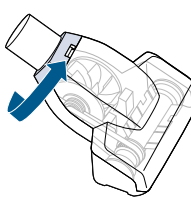
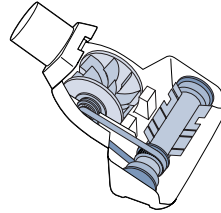
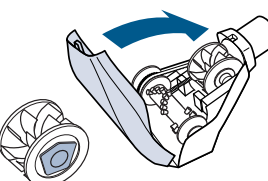
		
4. Step on recline pedal and pull handle back towards you. Note: To maneuver under furniture, step and hold the pedal to further recline machine.	5. Turn dial on foot to desired height setting. Tip: For best performance, adjust to the lowest practical setting. If your vacuum is difficult to push, adjust to the next higher setting.	6. To turn machine OFF  , step on the power switch pedal. Once finished, loop power cord around cord wraps. Clip to power cord to secure.

Note: Some Berber carpets may fuzz with wear. Repeated strokes in the same area may enhance this condition.

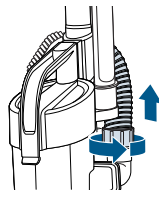
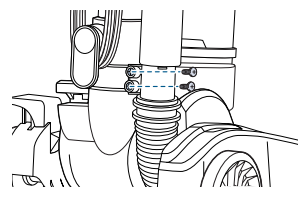
⚠ WARNING Before using your vacuum, make sure that the dirt tank is in locked position and that all filters, both pre and post-filters, are in place. DO NOT operate your vacuum without these filters.
• To reduce the risk of electric shock, turn power switch OFF and disconnect plug from electrical outlet before performing maintenance or troubleshooting checks.

Maintaining the TurboBrush® Tool

▶ For more helpful maintenance tips, check out support.BISSELL.com.

		
1. Twist gray collar counter-clockwise until slot appears, then separate faceplate.	2. Remove brush roll, belt and paddle wheel. Inspect for damages and replace if necessary.	3. To reassemble, align two clips on each end of paddle wheel with belt on and pop back into place. Place brush roll with belt back in. Faceplate will not close properly if all parts are not aligned correctly.

Cleaning the Hose and Foot

	
1. Locate stretch hose where it connects to the hose elbow on back of machine. Clean debris.	2. Locate clear foot hose under hose holder. Remove two screws and clear clogs and debris in the hose using a long narrow object. Replace screws and re-attach stretch hose by sliding over inlet and rotating upwards towards the lock position.

Note: If the debris cannot be reached through the hose, follow the instructions for cleaning the air passageway in “Maintaining the Brush Roll and Belts” section.

Troubleshooting

For a comprehensive walkthrough of your product and support tips, visit support.BISSELL.com.

Warranty

Limited 1-year warranty, may vary by state. Visit support.BISSELL.com or call 1-800-237-7691 for complete warranty information.

⚠ WARNING To reduce the risk of electric shock, turn power switch OFF and disconnect plug from electrical outlet before performing maintenance or troubleshooting checks.

♥ Every Purchase Saves Pets™

BISSELL proudly supports BISSELL Pet Foundation® and its mission to help save homeless pets. When you buy a BISSELL® product, you help save pets, too. We're proud to design products that help make pet messes, odors and pet homelessness disappear. Visit BISSELLsavespets.com to learn more.

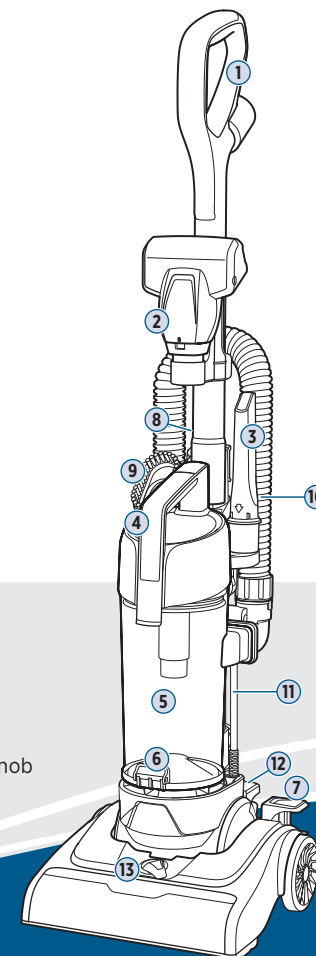


CLEANVIEW® COMPACT TURBO UPRIGHT VACUUM 3437 SERIES

Important Safety Instructions.....	2
What's in the Box?.....	2
Assembly.....	3
Using Your Vacuum.....	3
Cleaning Above Floors.....	4
Emptying and Cleaning the Dirt Tank.....	4
Cleaning the Filter.....	5
Maintaining the Brush Roll and Belts.....	5
Maintaining the TurboBrush® Tool.....	6
Cleaning the Hose and Foot.....	6
Troubleshooting.....	6
Warranty.....	6

Product Overview

- | | |
|---------------------------|----------------------------|
| 1. Extension Wand | 9. Dusting Brush |
| 2. TurboBrush® Tool | 10. Stretch Hose |
| 3. Crevice Tool | 11. Power Cord |
| 4. Tank Release Button | 12. Power Switch Pedal |
| 5. Dirt Tank | 13. Height Adjustment Knob |
| 6. Dirt Tank Empty Button | |
| 7. Handle Recline Pedal | |
| 8. Extension Wand Release | |



Meet your new BISSELL product!

Go to support.BISSELL.com for a comprehensive walkthrough of your new purchase, including videos, tips, support, and more. Want to get started right away? This guide has all the information you need to set up your new product. Let's take a look...



IMPORTANT SAFETY INSTRUCTIONS

READ ALL INSTRUCTIONS BEFORE USING YOUR APPLIANCE.

When using an electrical appliance, basic precautions should be observed, including the following:

⚠️ WARNING

TO REDUCE THE RISK OF FIRE, ELECTRIC SHOCK OR INJURY:

- Always connect to a polarized outlet (one slot is wider than the other). Do not modify the polarized plug to fit a non-polarized outlet or extension cord.
- Do not leave vacuum cleaner when it is plugged in. Unplug from outlet when not in use and before servicing.
- Do not use outdoors or on wet surfaces.
- Do not allow to be used as a toy. Close attention is necessary when used by or near children.
- Do not use for any purpose other than described in this user guide. Use only manufacturer's recommended attachments.
- Do not use with damaged cord or plug. If appliance is not working as it should, has been dropped, damaged, left outdoors, or dropped into water, have it repaired at an authorized service center.
- Do not pull or carry by cord, use cord as a handle, close a door on cord, or pull cord around sharp edges or corners. Do not run appliance over cord. Keep cord away from heated surfaces.
- Do not unplug by pulling on cord. To unplug, grasp the plug, not the cord.
- Do not handle plug or vacuum cleaner with wet hands.
- Do not put any object into openings. Do not use with any opening blocked; keep openings free of dust, lint, hair, and anything that may reduce air flow.
- Keep hair, loose clothing, fingers, and all parts of body away from openings and moving parts.
- Turn OFF all controls before plugging or unplugging vacuum cleaner.
- Use extra care when cleaning on stairs.

- Do not use to pick up flammable or combustible materials (lighter fluid, gasoline, kerosene, etc.) or use in areas where they may be present.
- Do not use vacuum cleaner in an enclosed space filled with vapors given off by oil-based paint, paint thinner, some moth-proofing substances, flammable dust, or other explosive or toxic vapors.
- Do not use to pick up toxic material (chlorine bleach, ammonia, drain cleaner, etc.).
- Do not pick up anything that is burning or smoking, such as cigarettes, matches, or hot ashes.
- Do not use without filters in place.
- Do not pick up hard or sharp objects such as glass, nails, screws, coins, etc.
- Use only on dry, indoor surfaces.
- Keep appliance on a level surface.
- Do not carry the vacuum cleaner while it is running.
- Unplug before connecting or disconnecting the TurboBrush® Tool.
- Plastic film can be dangerous. To avoid danger of suffocation, keep away from children.
- Do not plug in your vacuum cleaner UNTIL you are familiar with all instructions and operating procedures.
- To reduce the risk of electrical shock, turn power switch OFF and disconnect polarized plug from electrical outlet BEFORE performing maintenance or troubleshooting checks.
- When finished using the product, wrap cord around cord wrap for storage. Store unit indoors in a dry location in an area where the product is not likely to get damaged.
- Any other maintenance or servicing not included in this manual should be performed by an authorized service representative.

SAVE THESE INSTRUCTIONS

THIS MODEL IS FOR HOUSEHOLD USE ONLY.



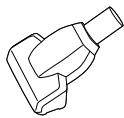



COMMERCIAL USE OF THIS UNIT voids THE MANUFACTURER'S WARRANTY.

THIS APPLIANCE HAS A POLARIZED PLUG

To reduce the risk of electric shock, this appliance has a polarized plug (one blade is wider than the other). This plug will fit in a polarized outlet only one way. If the plug does not fit fully in the outlet, reverse the plug. If it still does not fit, contact a qualified electrician to install a proper outlet. Do not change the plug in any way.

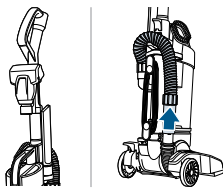
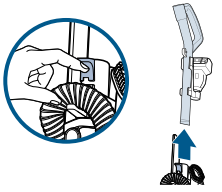
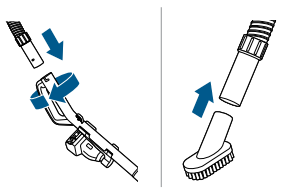
What's in the Box?

Standard accessories may vary by model. To identify what should be included with your purchase, please refer to the "Carton Contents" list located on the carton top flap.

					
Upper Handle	Base Unit	TurboBrush® Tool	TurboBrush® Tool Holder	Crevice Tool	Dusting Brush

Cleaning Above Floors

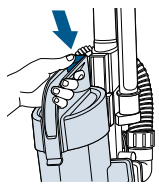
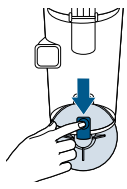
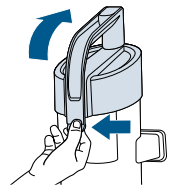
For additional support videos and information, visit support.BISSELL.com.

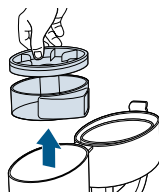
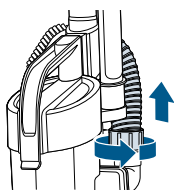
		
1. Raise handle to upright position. Grasp hose and pull up to remove from hose holder.	2. For extended reach, remove extension wand by pressing the release lever and pulling handle out of body.	3. Insert hose into extension wand and twist to lock. Attach desired tool by pushing onto hose or extension wand.

Note: The brush roll will continue to rotate while using your vacuum for above floor cleaning. To prevent carpet damage, do not lean on the vacuum or let the power foot tilt forward.

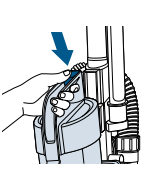

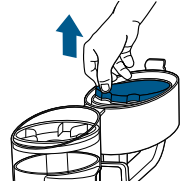
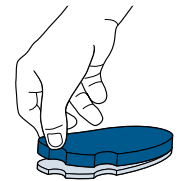
Emptying and Cleaning the Dirt Tank

For additional support videos and information, visit support.BISSELL.com.

		
1. To remove dirt tank, push the release button on top of tank handle.	2. Hold dirt tank over garbage bin and press the release button. Snap bottom back into place.	3. Open dirt tank lid by lifting the release latch.

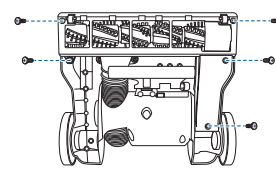
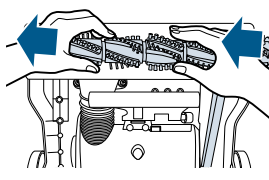
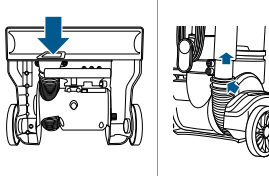
	
4. Remove primary separator by lifting out of the dirt tank. Tank and separator can be hand washed with warm water and mild detergent. Rinse well and let air dry completely. Not dishwasher safe.	5. Remove hose by twisting to unlock and pulling up. Check for clogs before reassembling.

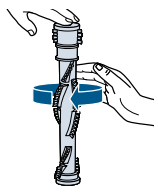
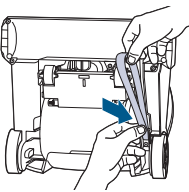
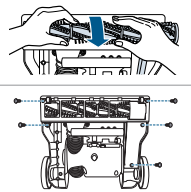
Cleaning the Filter

			
1. Push the dirt tank release button on top of tank handle to remove. Open lid by lifting release latch. Filter is located inside the dirt tank lid.	2. Pull filter to remove. Hand wash with warm water and mild detergent. Let dry for 24 hours.	3. Reinstall filter with white mesh first and black foam facing outward. Align filter with lid.	

Note: Replace filter if it is excessively dirty, damaged or torn.

Maintaining the Brush Roll and Belts

		
1. Lay vacuum down with brush roll facing up. Remove (5) screws with a Phillips-head screwdriver. Lift brush cover to remove.	2. Pull brush roll at both ends to remove. Clean debris from brush roll, motor pulley and drive belt. Replace if needed.	3. Check air passageway for obstructions. Twist hose counterclockwise to remove and check for clogs.

		
4. Test the brush by holding on end and spinning. It should spin freely several times from one flick. If not, the brush will need to be replaced.	5. Grasp drive belt, remove from motor shaft, discard. Loop new drive belt over motor shaft and stretch over the brush roll in space provided between bristles.	6. Align brush roll with belt and turn several times in the direction of the wheels to align. Reinstall the brush cover and (5) screws.

⚠️ WARNING

- To reduce the risk of electric shock, turn power switch OFF and disconnect plug from electrical outlet before performing maintenance or troubleshooting checks.
- Do not operate vacuum with damp or wet filters, as well as without filters or the dirt tank in place. Allow components to dry before reassembling the dirt tank.

⚠️ WARNING

To reduce the risk of electrical shock, turn power switch OFF and disconnect polarized plug from electrical outlet BEFORE performing maintenance or troubleshooting checks.