

INSTALLATION INSTRUCTIONS

ActiveSmart™ Built-in refrigerator

RS36A72J and RS36A72U models

US CA

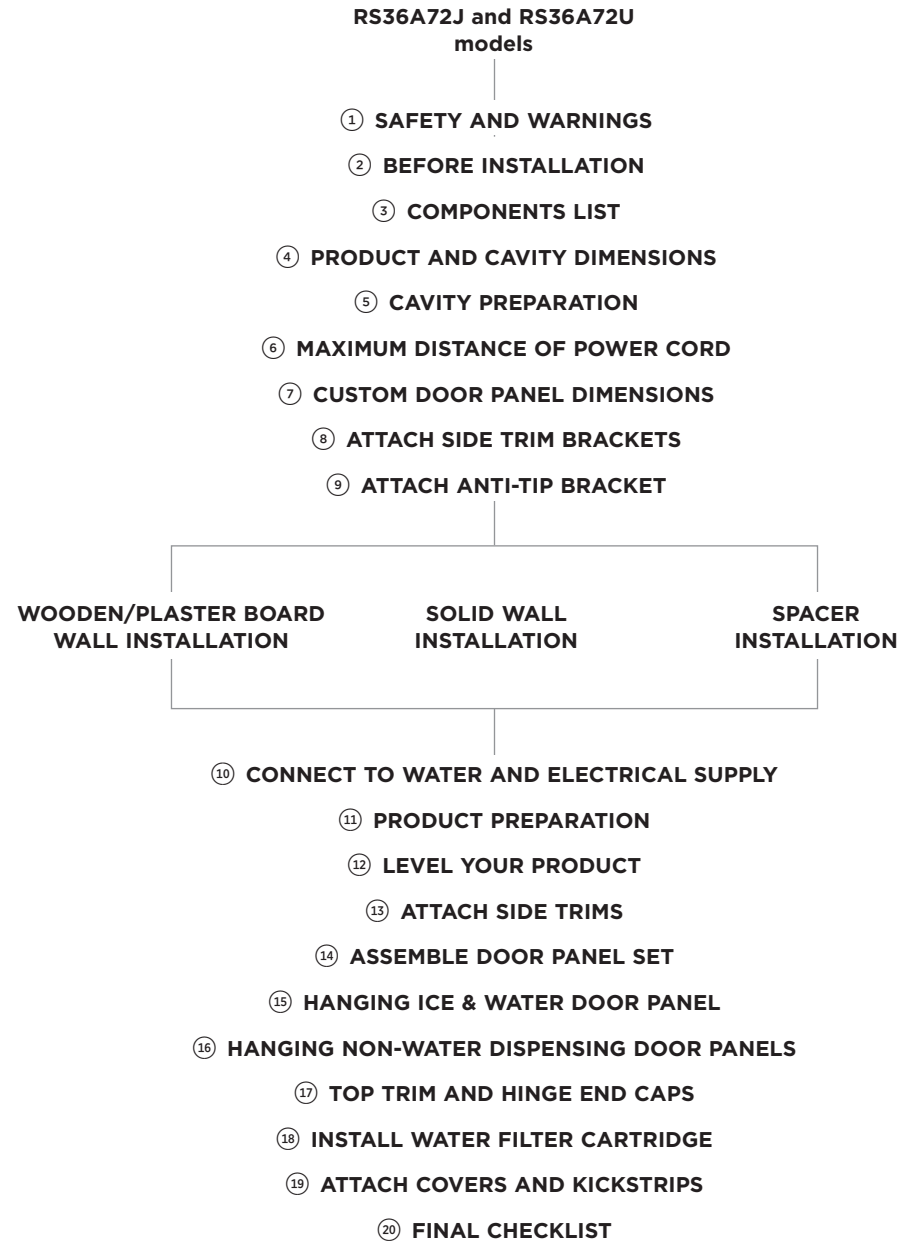
Fisher & Paykel

www.fisherpaykel.com

843157 A 06.15



FOLLOW THE INSTALLATION SEQUENCE RELEVANT TO YOUR CABINETRY





① SAFETY AND WARNINGS

⚠ WARNING!



Electric Shock Hazard
Read and follow the safety and warnings outlined in this installation guide before operating this appliance.
Failure to do so can result in death, electric shock, fire or injury to persons.

⚠ WARNING!



Cut Hazard
Take care - panel edges are sharp. Failure to use caution could result in injury or cuts.

⚠ WARNING!



This appliance is top-heavy and must be secured to prevent the possibility of tipping forward.
To ensure that the appliance is stable under all loading conditions, the anti-tip bracket and fittings supplied must be installed according to the following installation instructions by a professional installer.

② BEFORE INSTALLATION

Please follow the installation steps below to ensure your appliance is installed and operates correctly.

Power

- To ensure that the appliance is not accidentally switched off, connect your refrigerator to its own isolating switch. Do not plug in any other appliance at this isolating switch.
- For power requirements, please refer to the information on the serial plate. This is located at the front right-hand side of the drawer when open.
- It is essential that the appliance is properly grounded (earthed).
- Connect the appliance to the electrical supply (115VAC, 60 Hz) with the fitted plug and lead.
- Follow the National Electrical Code and all local codes and ordinances when installing this product.
- Warning: Ground Fault Circuit Interrupters (GFCI) may trip during normal operation of your refrigerator and interrupt the power supply. The use of a GFCI is not recommended with this product.

Location

- Your refrigerator should not be located in direct sunlight or next to any heat generating appliance such as a cooktop, oven or dishwasher.
- Your product is fitted with front and rear rollers designed for moving the product in forwards and backwards direction.
- Avoid moving the product in a sides ways direction as this may damage the rollers or the floor covering/surface.

Plumbing

- Your product must be installed by a qualified plumber or Fisher & Paykel Authorized Service Agents as incorrect plumbing can lead to water leaks.
- Fisher & Paykel Appliances does not accept responsibility for damage (including water damage) caused by faulty installation or plumbing.

Door panel set

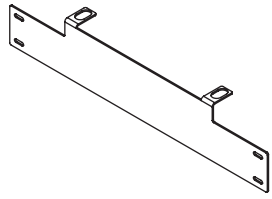
- The standard appliance does not include a door panel set.
- When designing custom door panels, these are only available for non-Water dispensing models.
- To complete the integrated appliance for non-Water dispensing models the customer should supply their own custom door panel set. All the hardware required to mount the door panel sets to the refrigerator doors is supplied.
- Fisher & Paykel door panel sets are available (EZKleen stainless steel door panels, model numbers: RD3672 and RD3672U), and can be purchased through your Fisher & Paykel dealer or online at www.fisherpaykel.com (this service is available to selected markets only).

IMPORTANT! SAVE THESE INSTRUCTIONS

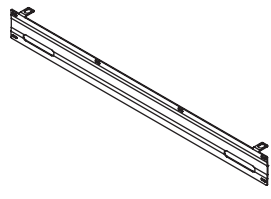
The models shown in this installation guide may not be available in all markets and are subject to change at any time. For current details about model and specification availability in your country, please go to our website www.fisherpaykel.com or contact your local Fisher & Paykel dealer.

3 COMPONENTS LIST

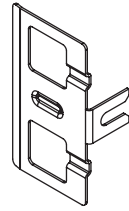
Door panel fittings – Included with standard appliance.



French door hanging bracket (2)



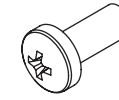
Drawer hanging bracket (1)



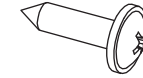
Side bracket (10)



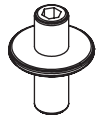
Side strap (10)



M5 x 10 pan head Phillips screw (10)



#8 x 16 mush washer screw (34)



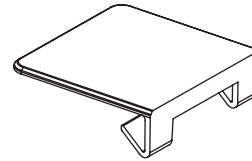
M8 stud (6)



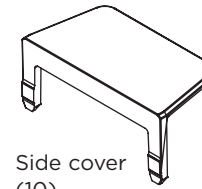
M8 washer (6)



M8 nut (6)



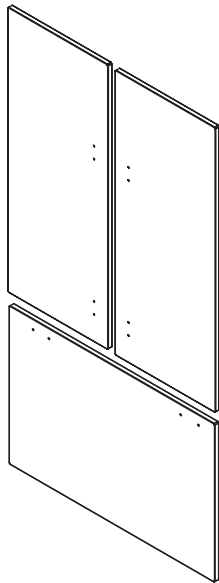
Top cover (4)



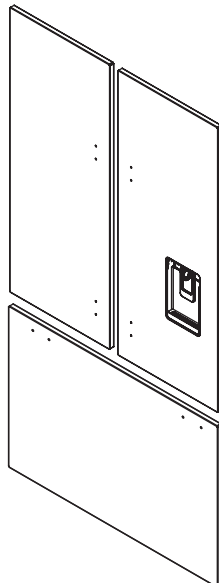
Side cover (10)

Optional accessories – The standard appliance does not include a door panel set.

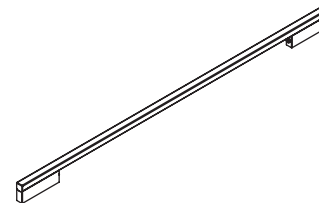
Fisher & Paykel door panel sets are available (EZKleen stainless steel door panels). To complete the integrated appliance for non-Water dispensing models the customer should supply their own custom door panel set.



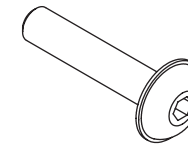
Non-Water dispensing French panels (2)
Drawer panel (1)
Model number: RD3672



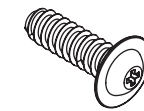
Non-Water dispensing French panel (1)
Ice & Water French panel (1)
Drawer panel (1)
Model number: RD3672U



Door handle (3)



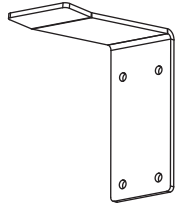
M5 x 25 pan head socket screw (12)



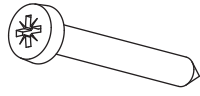
M5 x 14 Mush Phillips SS (34)

3 COMPONENTS LIST

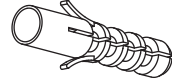
Anti-tip bracket fittings - Included with standard appliance.



Anti-tip bracket (1)

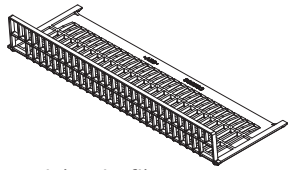


#10 x 40 pan head
Phillips screw (4)

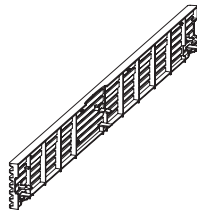


Masonry plug (4)

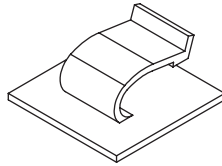
Product hardware - Included with standard appliance.



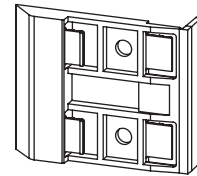
Kickstrip filter
(1)



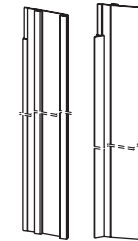
Kickstrip grille
(1)



Power cord clip
(1)



Side trim bracket
(6)

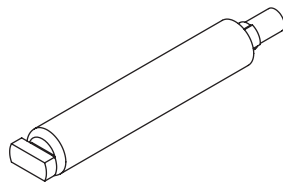


Side trim
(2)

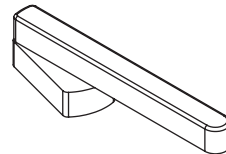
Ice & Water fittings - Included with standard appliance.



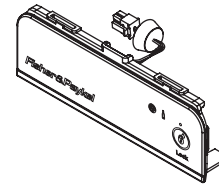
Collet locking key
(1)



Water filter cartridge (1)
Part number: 839041

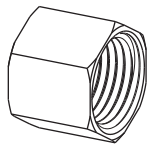


Filter cartridge tool
(1)



External display module (1)
(included with RS36A72U standard appliance)

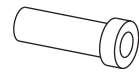
Water fittings - The standard appliance does not include water fittings. Fisher & Paykel water fittings are available (part number: 841301). These parts need to be purchased separately by the customer and comply with local regulations.



1/4" (6 mm)
Compression nut
(1)



1/4" (6 mm)
Compression sleeve
(1)

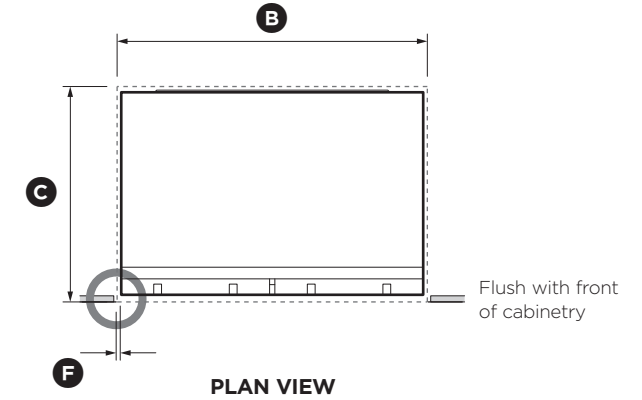
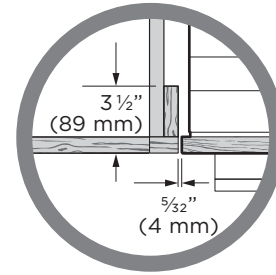
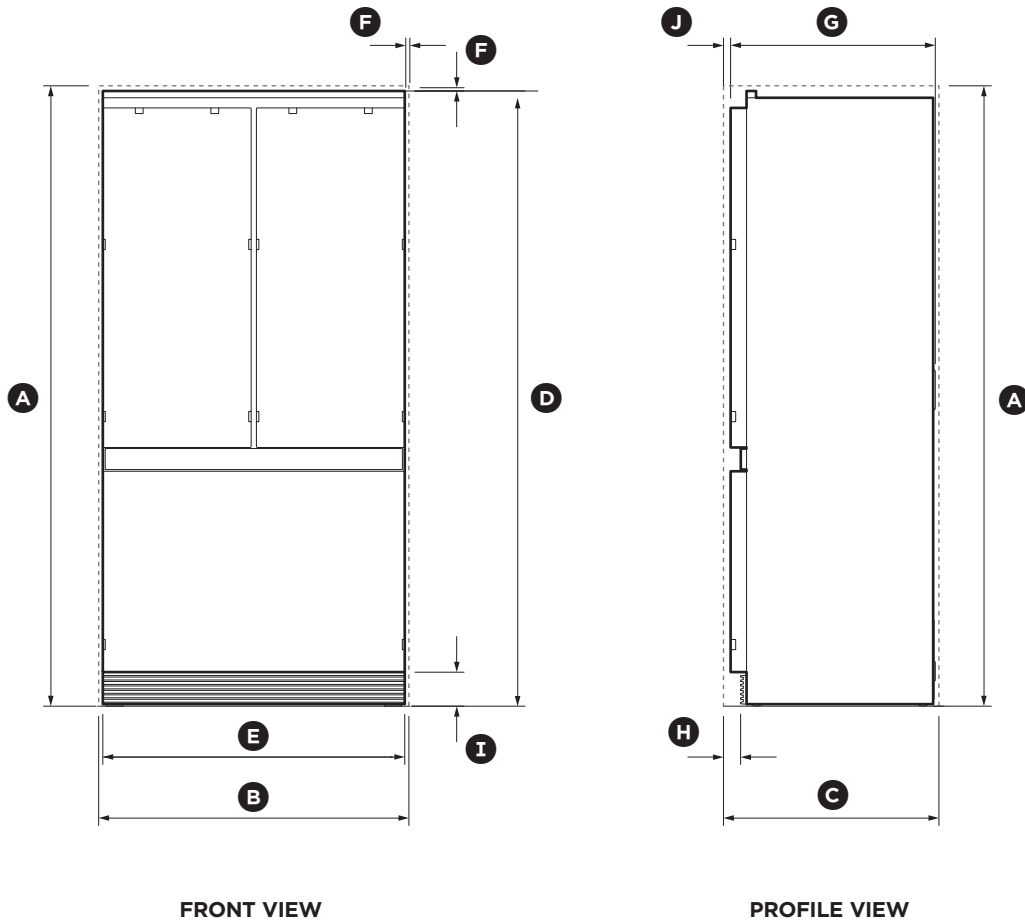


1/4" (6 mm)
Tube insert
(1)



1/4" (6 mm) PEX tube
(1)

④ PRODUCT AND CAVITY DIMENSIONS



CAVITY DIMENSIONS	inches (mm)
Ⓐ Overall height of cavity	72" (1829)
Ⓑ Overall width of cavity (when adjoining cabinetry cannot share 5/32" (4 mm) door gap)	36" (914)
Ⓒ Overall depth of cavity*	25" (635)

Total front panel width with required gaps at sides = 36" (914 mm). (Refer to custom door panel dimensions section - panel width + 2 x Ⓕ cabinetry gaps).

* Assumes a door panel thickness of 3/4" (19 mm).

PRODUCT DIMENSIONS	inches (mm)
Ⓓ Overall height of product*	71 27/32" (1825)
Ⓔ Overall width of product	35 1/32" (890)
Ⓕ Minimum cabinetry gap clearance from edge of custom panels**	5/32" (4)
Ⓖ Overall depth of product (excluding front door panels)	23 3/4" (603)
Ⓗ Depth of toe kick (measured from front of door panels***)	2" (51)
Ⓘ Height of grille/toe kick*	4" (102)
⓵ Depth of product front panels (excludes handles)***	5/8" - 3/4" (16 - 19)

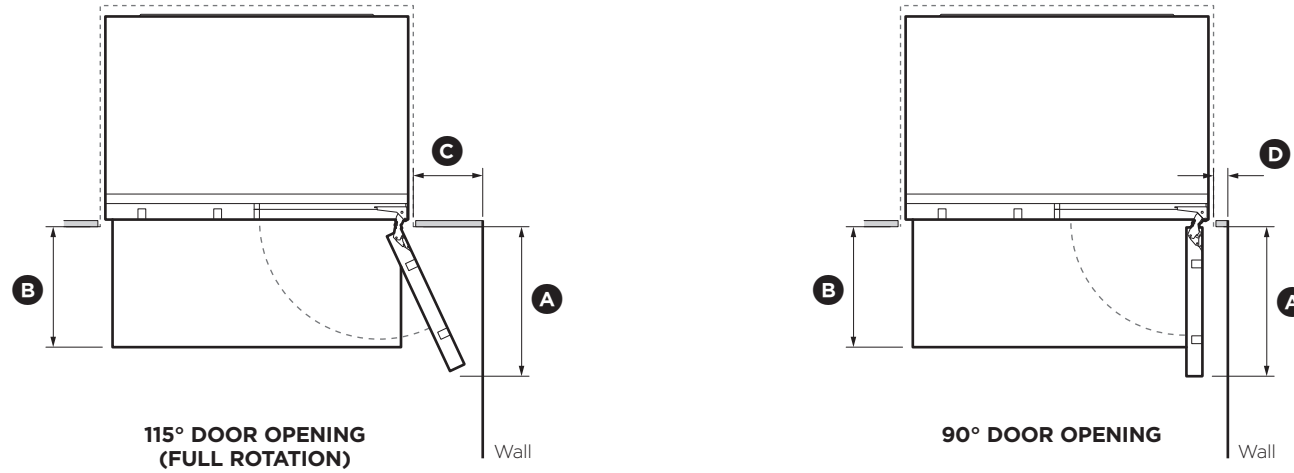
* Includes mounted feet.

** Refer to custom door panel dimensions section.

***Door panels to be manufactured and fitted by cabinetmaker, min. 5/8" (16 mm) - max. 3/4" (19 mm) thickness.

RS36A72J model shown only.
When designing custom door panels, with non-Water dispensing models.

④ PRODUCT AND CAVITY DIMENSIONS

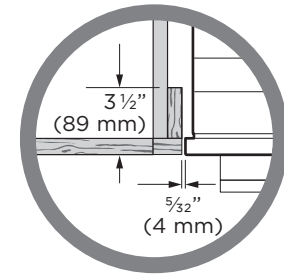
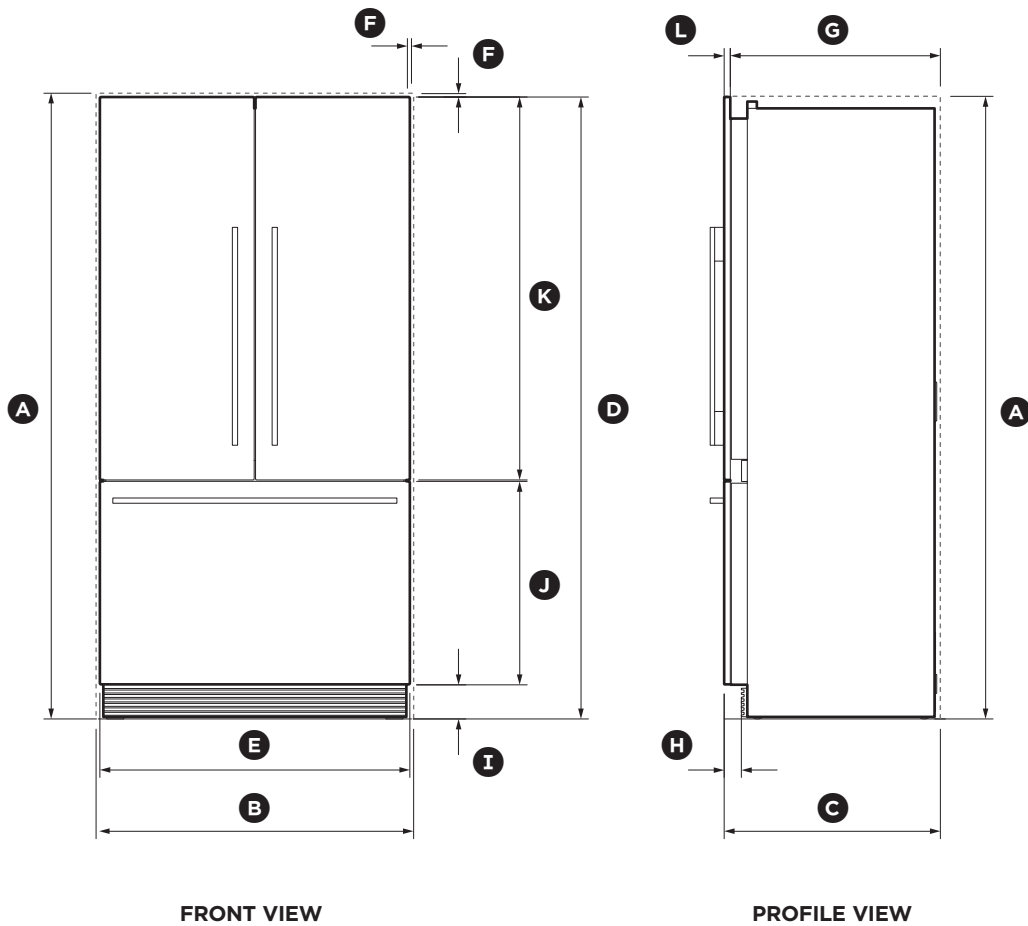


DOOR CLEARANCE DIMENSIONS	inches (mm)
Ⓐ Depth of door (widest opening) measured from front of cabinetry	17 ⁵ / ₁₆ " (440)
Ⓑ Depth of drawer (open) measured from front of cabinetry*	15 ³ / ₄ " (400)
Ⓒ Minimum door clearance** to adjacent wall* (115° - full internal access)*	11 ¹³ / ₁₆ " (300)
Ⓓ Minimum door clearance** to adjacent wall* (90° - reduced internal access)*	3 ¹³ / ₁₆ " (100)

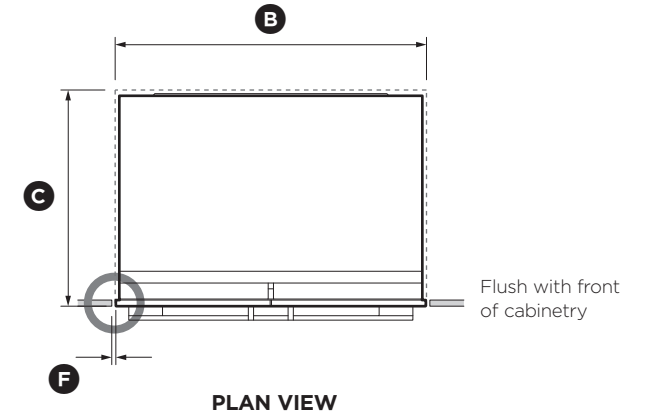
* Does not include the custom door panels or handles to be manufactured and fitted by cabinetmaker.

** Measured from front cabinetry edge.

4 PRODUCT AND CAVITY DIMENSIONS - WITH RD3672 DOOR PANEL SET



Framed: Finish return
Note: shows adjoining cabinetry not sharing 5/32" (4 mm) door gap



PRODUCT DIMENSIONS

	inches (mm)
Ⓓ Overall height of product*	71 ²⁷ / ₃₂ " (1825)
Ⓔ Overall width of product	35 ²¹ / ₃₂ " (906)
Ⓕ Minimum cabinetry gap clearance from edge of product	5/32" (4)
Ⓖ Overall depth of product (excluding front door panels)	23 ³ / ₄ " (603)
Ⓗ Depth of toe kick (measured from front of door panels)	2" (51)
Ⓘ Height of grille/toe kick*	4" (102)
Ⓙ Height of bottom drawer panel	23 ¹⁵ / ₃₂ " (596)
Ⓚ Height of top door panels	44 ⁷ / ₃₂ " (1123)
Ⓛ Depth of product front panels (excludes handles)**	3/4" (19)

* Includes mounted feet.

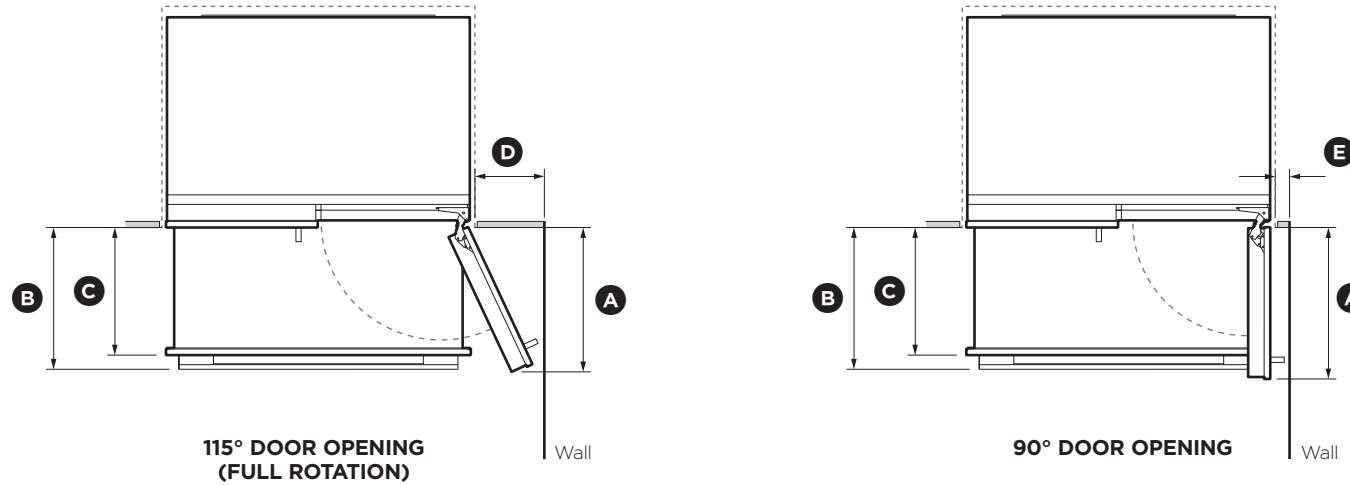
** Optional EZKleen stainless steel front panels - Model no. RD3672 (non-Water dispensing model) and model no. RD3672U (Ice & Water model).

CAVITY DIMENSIONS	inches (mm)
Ⓐ Overall height of cavity	72" (1829)
Ⓑ Overall width of cavity (when adjoining cabinetry cannot share 5/32" (4 mm) door gap)	36" (914)
Ⓒ Overall depth of cavity	25" (635)

Total front panel width with required gaps at sides = 36" (914 mm) ((Ⓔ) product width + 2 x (Ⓕ) cabinetry gaps).
Height of front panels with required gap above = Ⓓ product height + (Ⓕ) cabinetry gap.

RS36A72J model shown with RD3672 door panel set.

④ **PRODUCT AND CAVITY DIMENSIONS - WITH RD3672/RD3672U DOOR PANEL SET**

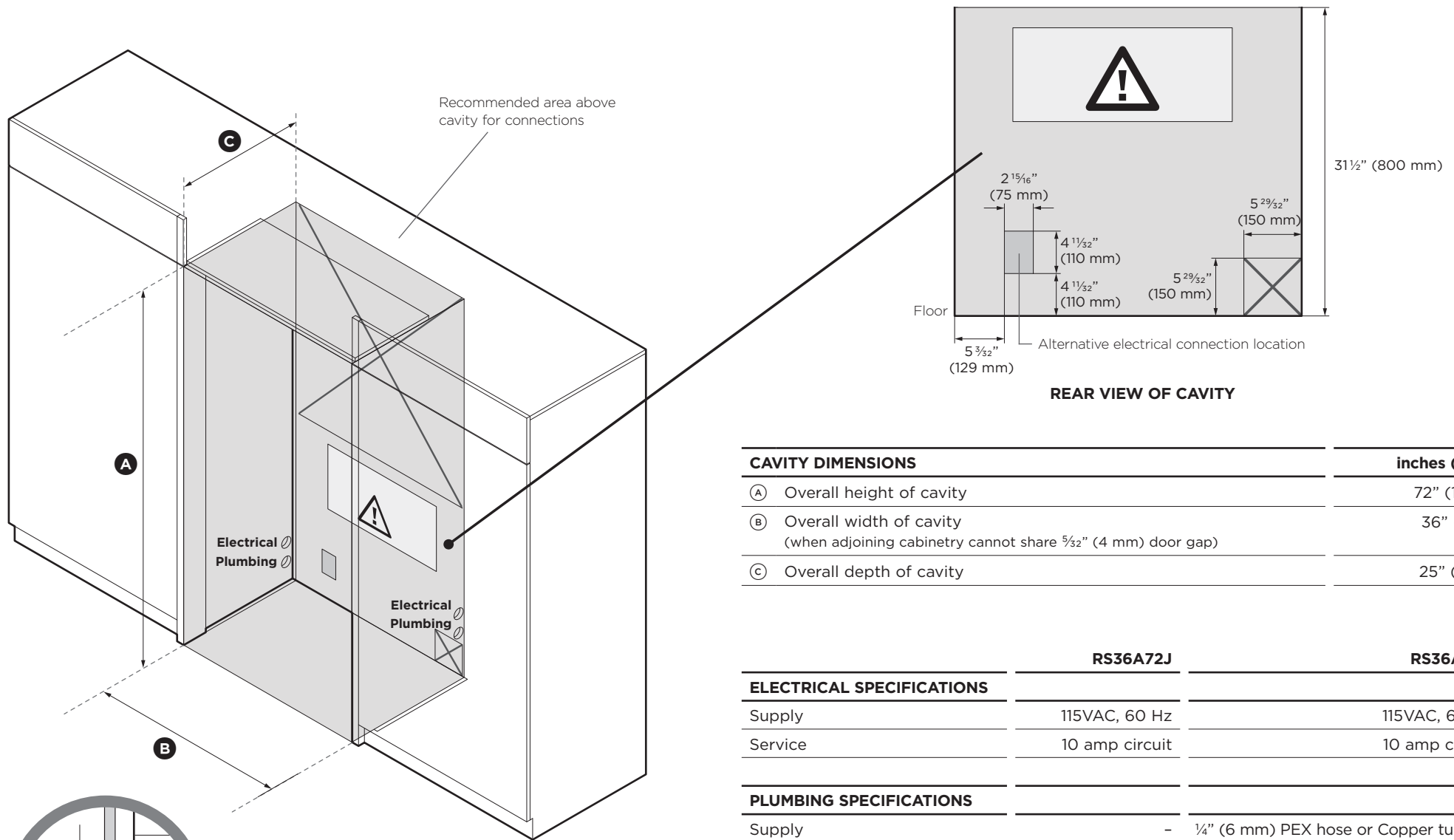


DOOR CLEARANCE DIMENSIONS

	inches (mm)
Ⓐ Depth of door (widest opening) measured from front of door	17 5/16" (440)
Ⓑ Depth of drawer (open) measured from front of drawer, including handle	15 3/4" (400)
Ⓒ Depth of drawer (open) measured from front of drawer, excluding handle	14 3/16" (360)
Ⓓ Minimum door clearance to adjacent wall* (115° - full internal access)	11 13/16" (300)
Ⓔ Minimum door clearance to adjacent wall* (90° - reduced internal access)	3 1/16" (100)

* Measured from front cabinetry edge.

5 CAVITY PREPARATION



CAVITY DIMENSIONS		inches (mm)
Ⓐ	Overall height of cavity	72" (1829)
Ⓑ	Overall width of cavity (when adjoining cabinetry cannot share 5/32" (4 mm) door gap)	36" (914)
Ⓒ	Overall depth of cavity	25" (635)

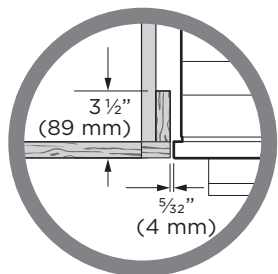
	RS36A72J	RS36A72U
ELECTRICAL SPECIFICATIONS		
Supply	115VAC, 60 Hz	115VAC, 60 Hz
Service	10 amp circuit	10 amp circuit
PLUMBING SPECIFICATIONS		
Supply	-	1/4" (6 mm) PEX hose or Copper tubing*
Pressure	-	Minimum 22 psi (150 kPa) Maximum 120 psi (827 kPa) @ 20°C

Note: recommended that the electrical and water connection be located above the fridge cavity. Optional to locate in an adjacent cabinet to either side of the fridge.

✕ Do not locate water or electricity in this area, keep clear of connections.

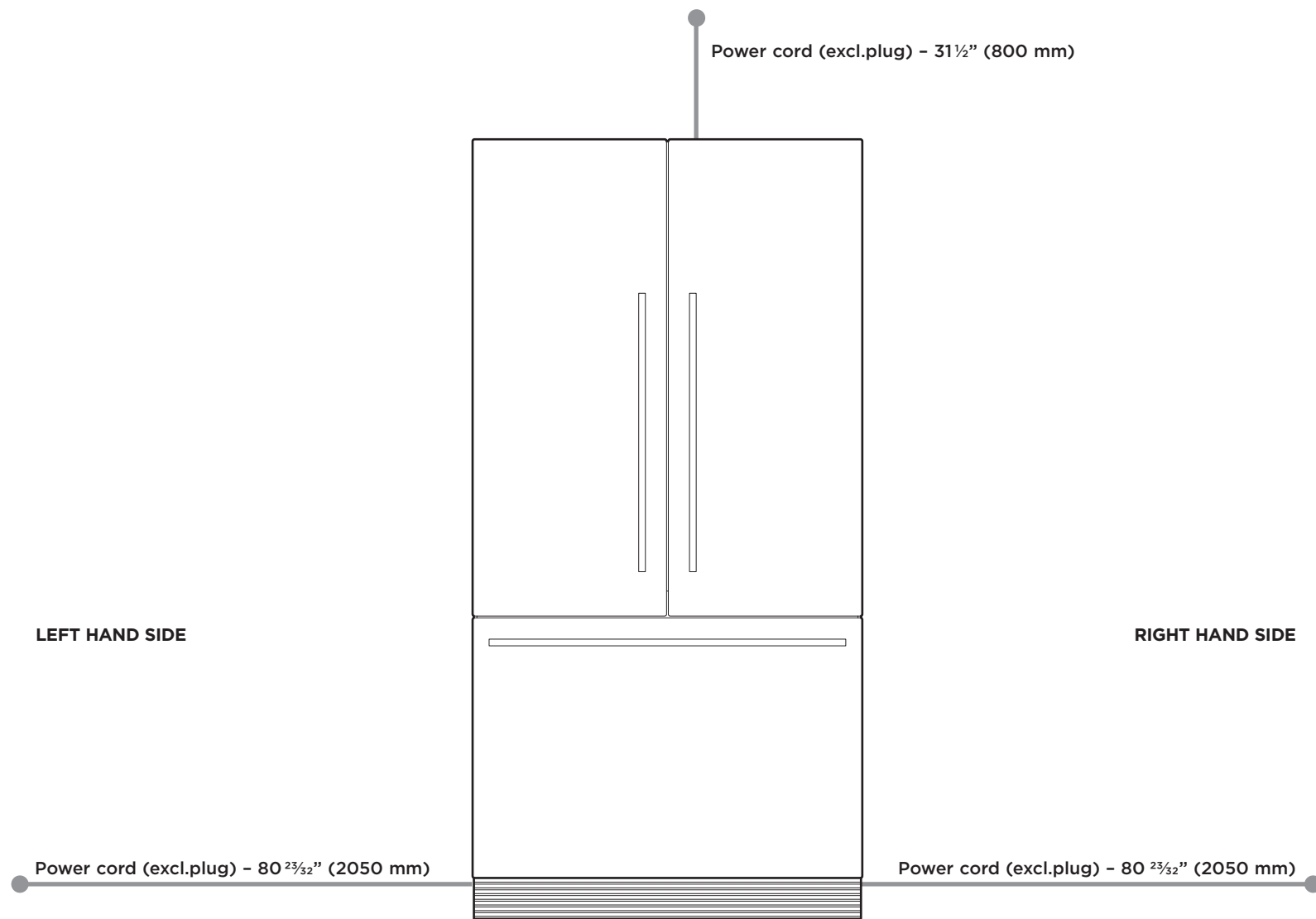
⚠ CAUTION: central area can only fit electrical plug if it is placed within a recessed cavity.

* Water fittings kit - The standard appliance does not include water fittings. Standard Fisher & Paykel water fittings kit are available (part number: 841301). These parts need to be purchased separately by the customer and comply with local regulations.

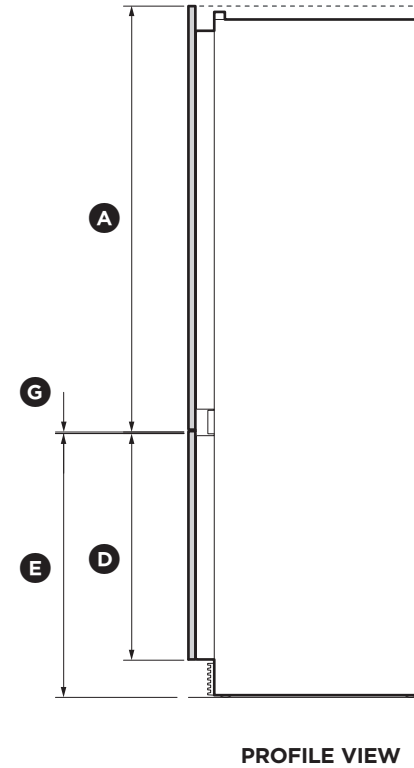
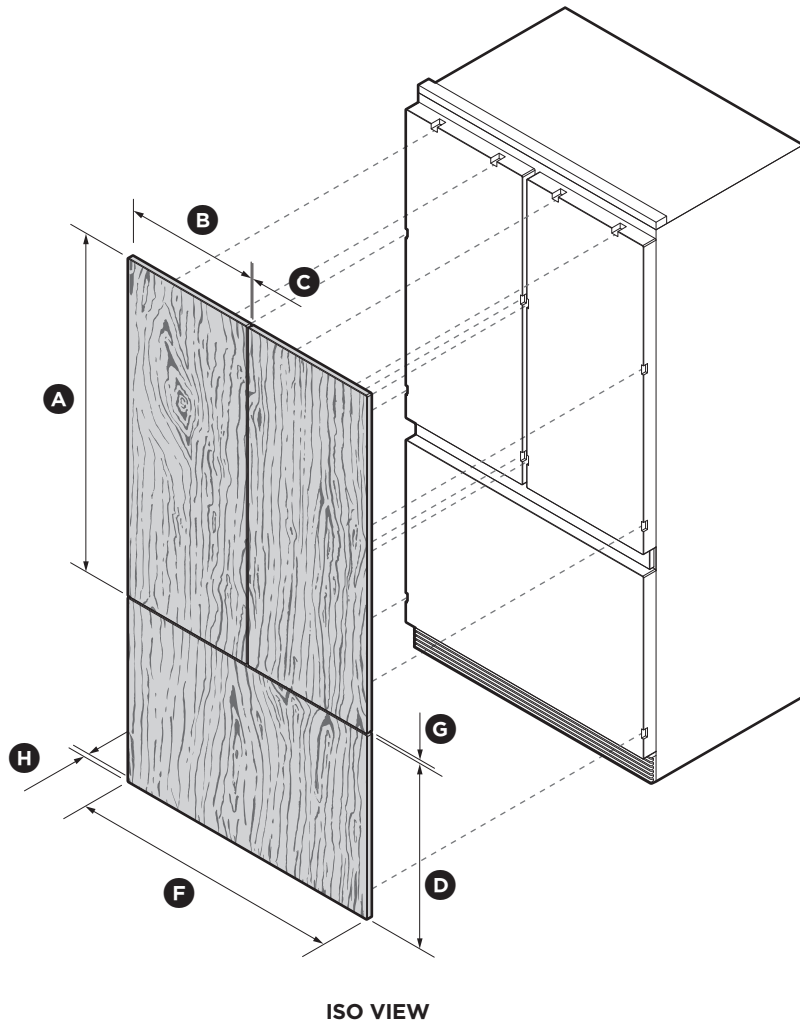


Frameless: Finish return, sides and top

⑥ **MAXIMUM DISTANCE OF POWER CORD**



7 CUSTOM DOOR PANEL DIMENSIONS



PROFILE VIEW

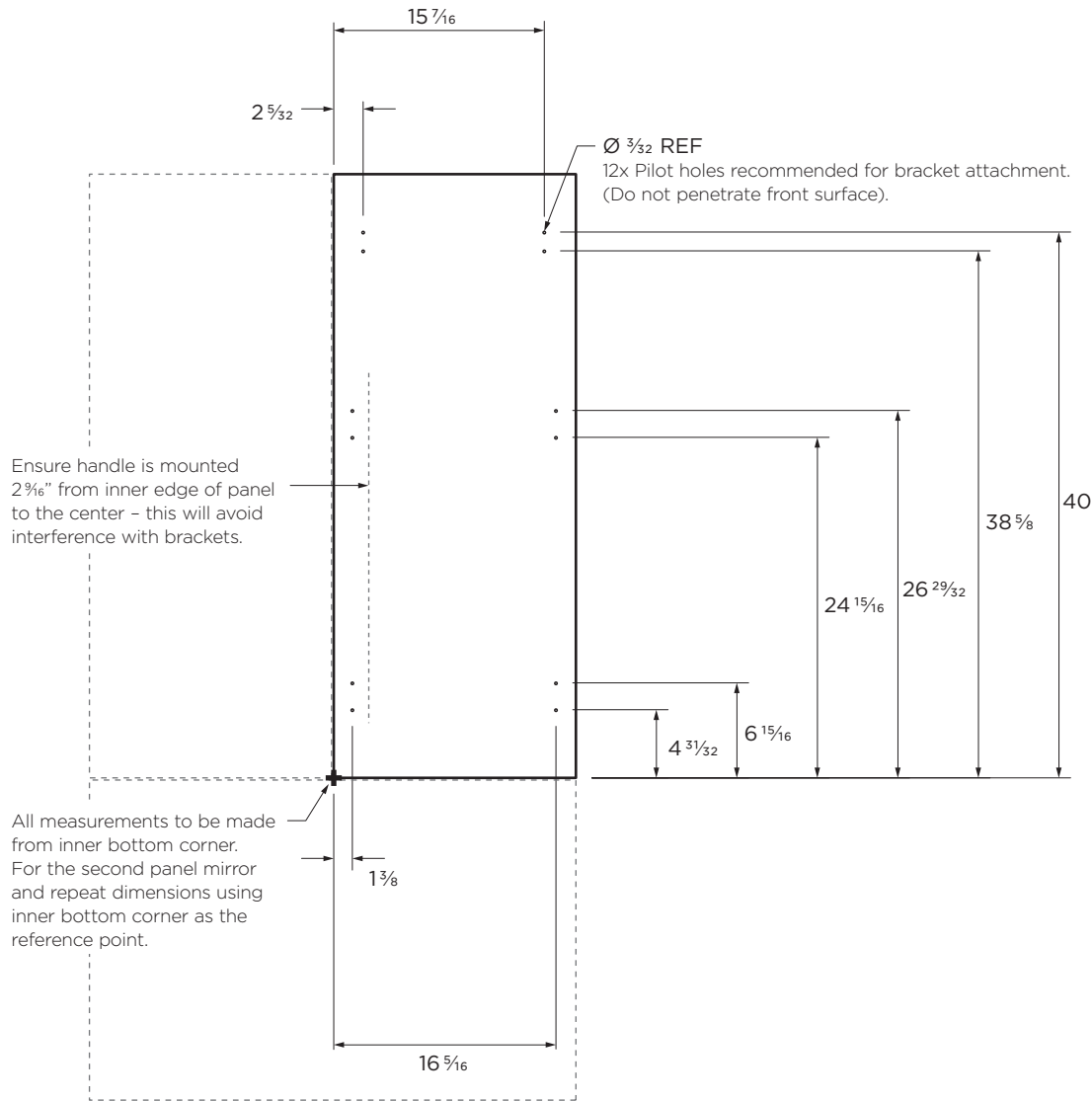
		RS36A72J
DIMENSIONS		inches (mm)
Ⓐ	Height of top door panel	44 ⁷ / ₃₂ " (1123)
Ⓑ	Width of top door panel	17 ³ / ₄ " (451)
Ⓒ	Gap between top door panels	⁵ / ₃₂ " (4)
Ⓓ	Height of bottom drawer panel	23 ¹⁵ / ₃₂ " (596)
Ⓔ	Height from bottom of product to top of bottom drawer panel	27 ¹⁵ / ₃₂ " (698)
Ⓕ	Width of bottom drawer panel	35 ²¹ / ₃₂ " (906)
Ⓖ	Gap between top door panels and bottom drawer panel	⁵ / ₃₂ " (4)
Ⓗ	Depth of custom panels	min. ⁵ / ₈ - max. ³ / ₄ " (16-19)
	Maximum weight of an individual top door panel	22 pounds (10 kg)
	Maximum weight of bottom drawer panel	21 pounds (9.5 kg)

Custom door panels and handles to be manufactured and fitted by cabinetmaker.

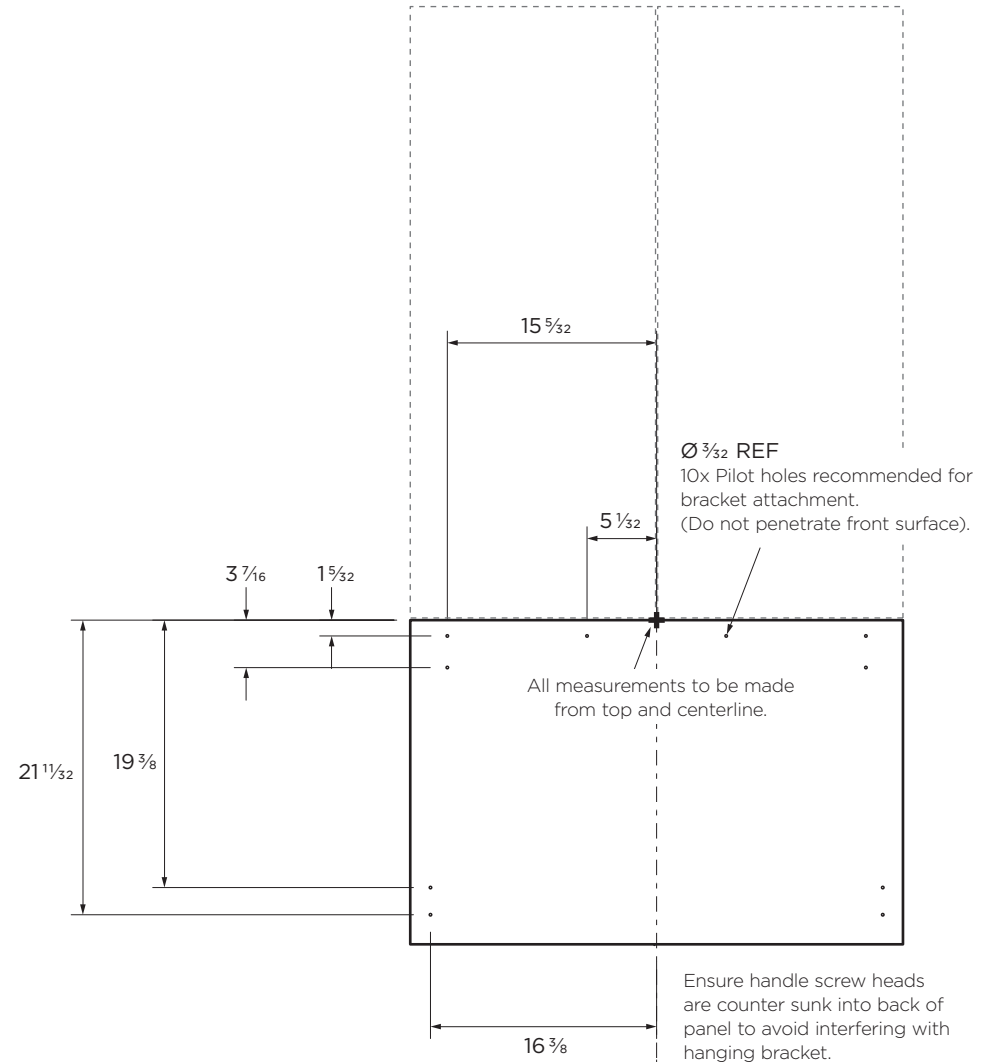
RS36A72J model shown only.
When designing custom door panels, with non-Water dispensing models.

⑦ CUSTOM DOOR PANEL DIMENSIONS

The drawings below apply to non-Water dispensing models only. Dimensions are shown in Imperial (inches) and apply for the preparation and installation of custom door panels. For Dwg and Dxf files of the below panel preparation download the folder on <http://thekitchentools.fisherpaykel.com>



TOP PANEL - REAR VIEW

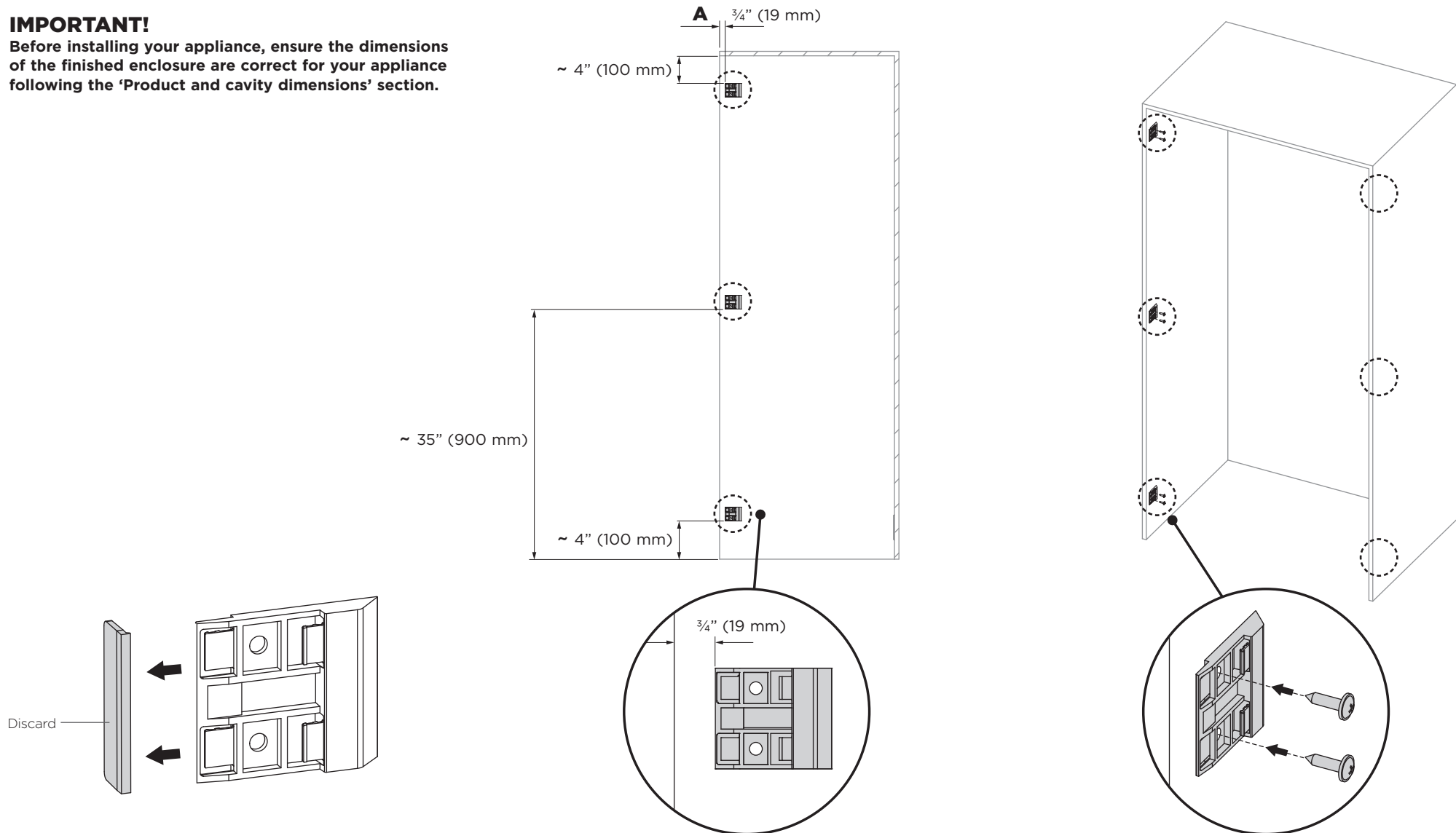


BOTTOM PANEL - REAR VIEW

8 ATTACH SIDE TRIM BRACKETS

IMPORTANT!

Before installing your appliance, ensure the dimensions of the finished enclosure are correct for your appliance following the 'Product and cavity dimensions' section.



- 1 Break off the datum lip to each side trim bracket and discard.

Repeat for all side trim brackets x6.

- 2 On one side of the finished enclosure, starting from the top, measure $\frac{3}{4}$ " (19 mm) from the front cabinetry edge towards the back with the side trim bracket (refer to **A**).

Mark side trim bracket screw locations for the top, center and bottom of the finished enclosure.

Repeat on the right side of the finished enclosure.

- 3 Fix side trim brackets to the side of one enclosure with screws x2 (#8 x 16 pan head Phillips screw). Ensure screws hold tight.

Repeat for remaining side trim brackets.

9 ATTACH ANTI-TIP BRACKET

IMPORTANT!

Safety requires refrigerators be stable when doors and/or drawer, are open. An anti-tip bracket and fittings supplied must be fitted to the wall of the finished enclosure to withstand a 220.5 pound (100 kg) load. This will prevent the possibility of the appliance tipping forward, when doors and/or drawer, are open.

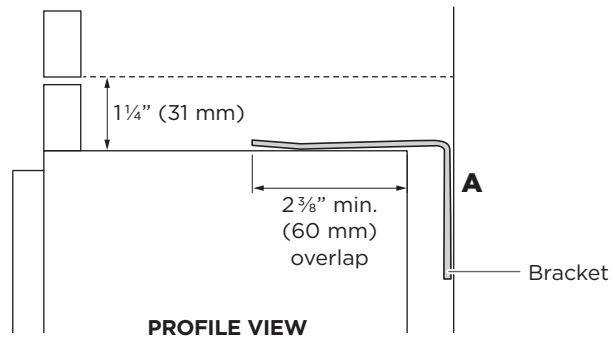
When fastening with masonry plugs and/or screws:

- Ensure the screws avoid electrical, gas and water conduits.
- Ensure the surface the bracket is fastened to withstand a 220.5 pound (100 kg) load.
- Ensure light-weight masonry material such as cinder block and new concrete (no curing time) are not used in installation.
- Do not use metallic materials that may corrode, stain and/or damage the enclosure.

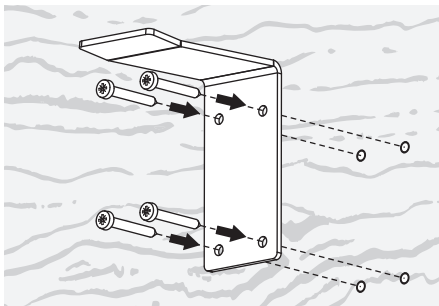
WOODEN/PLASTER BOARD WALL INSTALLATION

- 1 Project the end of the above finished enclosure to the center of the back wall and subtract $1\frac{1}{4}"$ (31 mm). This will locate the contact surface between the bracket and the appliance (refer to **A**).

Ensure a structural beam/wall stud closest to the center of the wall enclosure is located.

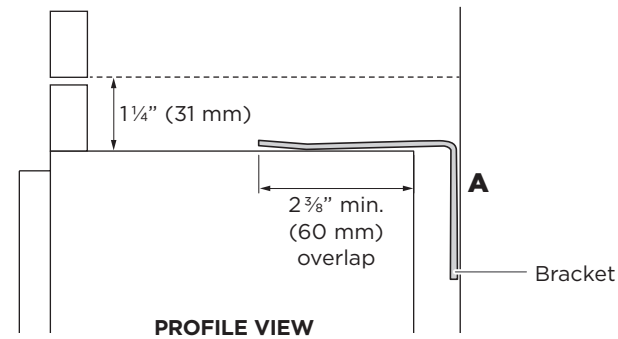


- 2 Fix bracket to the wall with screws x4 (#10 x 40 pan head Phillips screw). Ensure screws hold tight and the bracket overlaps the appliance when it is positioned ($2\frac{3}{8}"$ min. (60 mm)) for a secure hold.

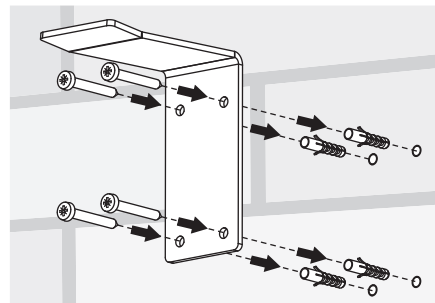


SOLID WALL INSTALLATION

- 1 Project the end of the above finished enclosure to the center of the back wall and subtract $1\frac{1}{4}"$ (31 mm). This will locate the contact surface between the bracket and the appliance (refer to **A**).



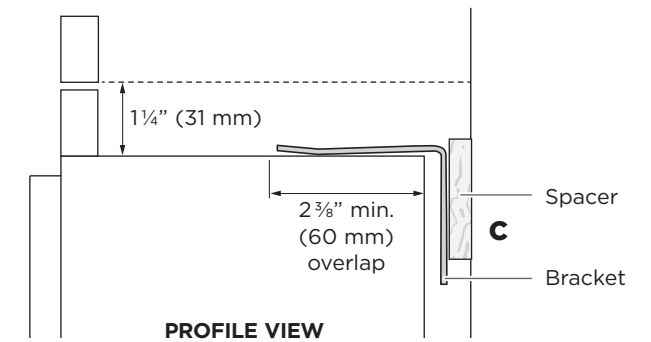
- 2 Mark screw locations to drill $\varnothing \frac{1}{4}" \times 1\frac{3}{8}"$ ($\varnothing 6.0 \text{ mm} \times 35 \text{ mm}$) deep holes. Hammer masonry plugs into the wall until flush x4. Fix bracket to the wall with screws x4 (#10 x 40 pan head Phillips screws). Ensure screws hold tight.



SPACER INSTALLATION

If a minimum $2\frac{3}{8}"$ (60 mm) overlap cannot be achieved we recommend fastening a solid spacer (wooden beam etc) behind the bracket.

- 1 Ensure the length of the spacer corresponds to the enclosure's width. Always secure the spacer to existing studs on the enclosure wall (refer to **C**).



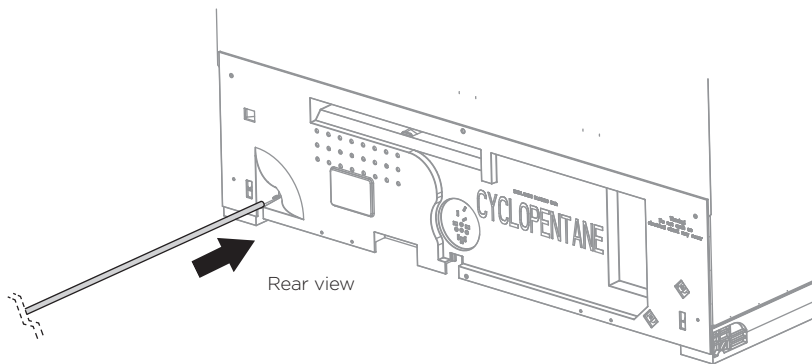
- 2 Fix bracket to the spacer with screws x4 (#10 x 40 pan head Phillips screws). Ensure screws hold tight and the bracket overlaps the appliance when it is positioned ($2\frac{3}{8}"$ min. (60 mm)) for a secure hold.

IMPORTANT!

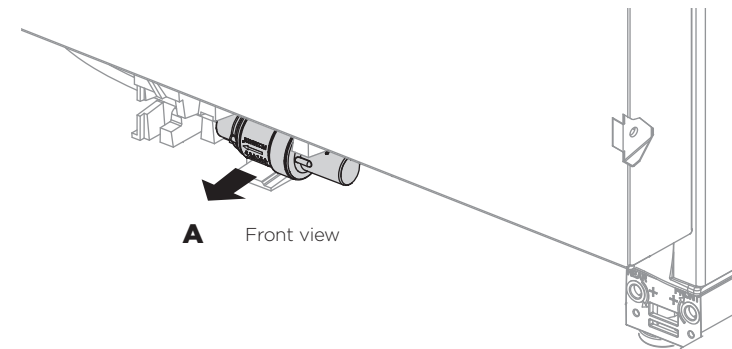
- The water connection to your Ice & Water refrigerator must be installed by a qualified plumber or a Fisher & Paykel Authorized Service Agent.
- The water connection instructions below are intended only for the professional installer.
- DO NOT use water that is microbiologically unsafe or of unknown quality without adequate disinfection before or after the system.
- WARNING - connect to potable water supply only.
- DO NOT install on line pressure above 120 psi (827 kPa) or below 22 psi (150 kPa).
- DO NOT use on hot water supply (100°F [38°C max.]).
- AVOID contamination of pipes during installation.
- New water fittings (hose-sets) are to be used on the appliance. Old water fittings (hose-sets) should not be reused.
- The standard appliance does not include water fittings. Fisher & Paykel water fittings are available (part number: 841301). These parts need to be purchased separately by the customer and comply with local regulations.

The assembly of Fisher & Paykel water fittings are outlined below, other water fittings purchased separately also follow the installation steps below:

- 1 Ensure the refrigerator is NOT plugged into a power supply. Locate isolating faucet for water connection – cold water supply only. Tee and faucet fitting not supplied. Ensure there is enough tubing for the water connection and to pull the appliance out for service, if required.
- 2 Uncoil the ¼" (6 mm) water tubing and thread one end through the opening in the rear cover until it exits the front.

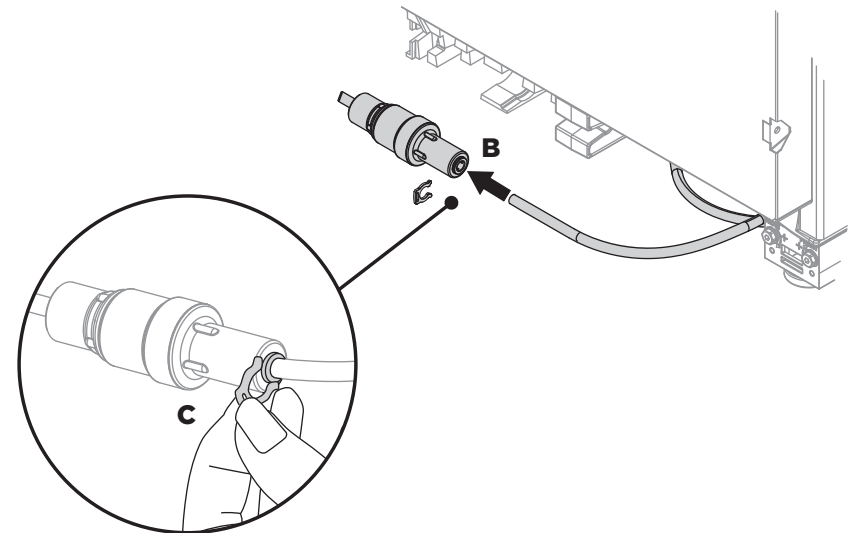


- 3 At the front of the product, dislodge the PLV. Grasp the PLV from the clips by pulling it towards you (refer to **A**).



- 4 Firmly insert water tubing into the PLV. The tube should push in at least 5/8" (16 mm) before reaching the stop. Once inserted, pull gently on tubing to ensure it is locked in (refer to **B**).

Secure the connection by attaching the locking key in between the PLV and water tubing (refer to **C**). Mount the PLV back into the clip.

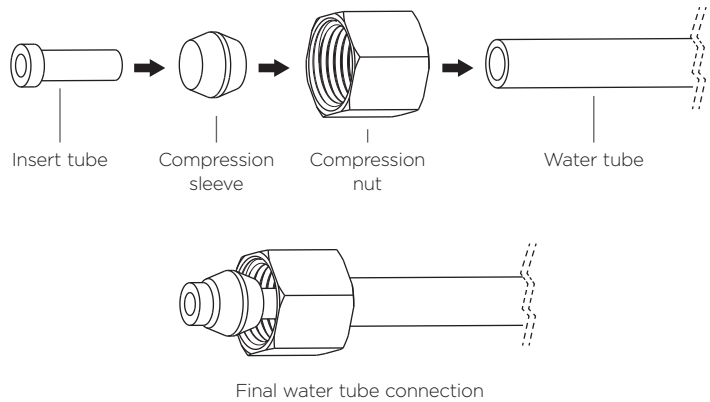


10 CONNECT TO WATER AND ELECTRICAL SUPPLY

- 5** Position the appliance 1.5 - 2 ft. (450 - 600 mm) in front of the finished enclosure (refer to **D**). This will allow access behind the appliance for water and power connections.

At the back of the appliance, cut the water tube to a suitable length for connecting to the water outlet. Ensure there is enough tubing to pull the appliance out for service, if required.

- 6** Assemble the following water fittings onto the other end of the water tube.



- 7** Fasten the faucet connection to the cold water supply. Take care not to over-tighten the faucet connection. Turn isolating faucet on and check that all connections are dry and free of drips.

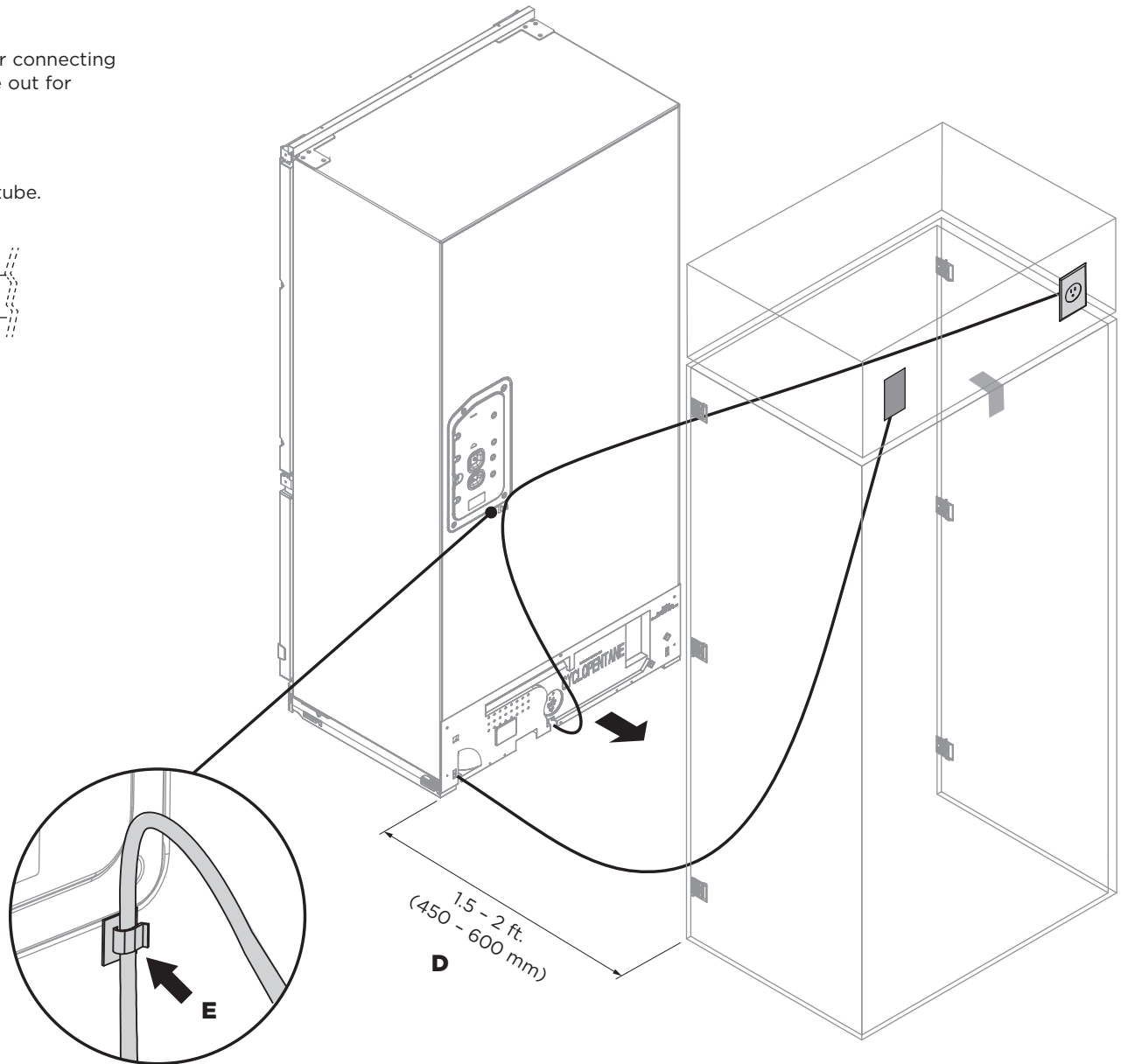
8 Connecting power

At the back of your appliance adhere the power cord clip.

Connect the appliance to the electrical supply (115 VAC, 60 Hz with the fitted plug and lead, and turn on. Ensure the appliance is connected to its own isolating switch.

Ensure excess power cord length is secured onto the clip (refer to **E**).

When pushing the appliance into position, take care not to roll over or damage the power cord and/or water tubing.



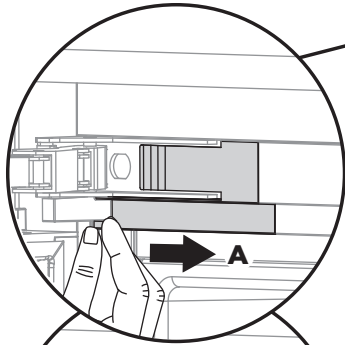
IMPORTANT!

- Ensure water tubing is routed away from any sharp objects, sharp corners (beware of kinking the tube as this will stop water flow), and not in a location where it can be kinked or squashed.
- Ensure a firm contact is observed as the appliance engages the anti-tip bracket, 2 3/8" min. (60 mm) overlap.

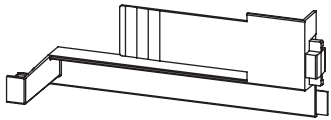
11 PRODUCT PREPARATION

- 1** Carefully open the refrigerator French doors and remove the left hinge end cap.

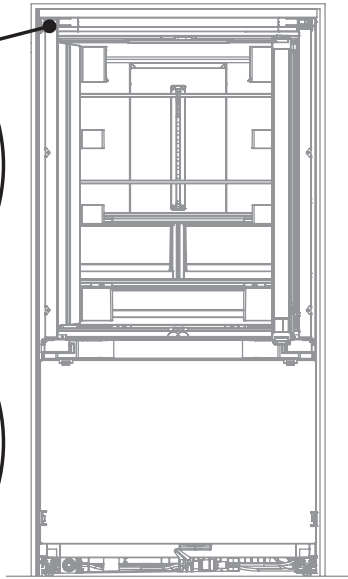
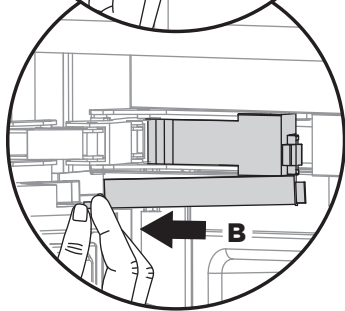
Hold onto the corner of the end cap, firmly push to the right to disengage securing hook and pull down (Refer to **A**).



- 2** Pull cap gently towards the left hinge to remove (Refer to **B**).

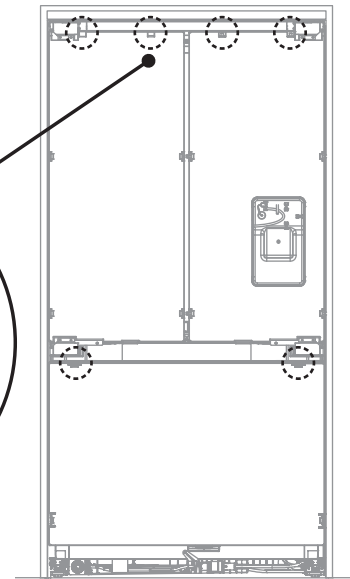
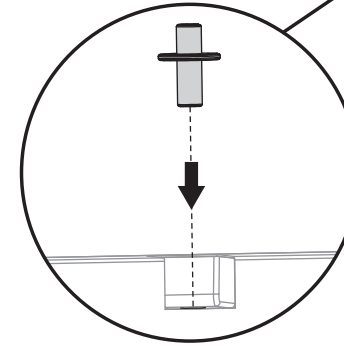


Reserve end hinge cap for later installation.

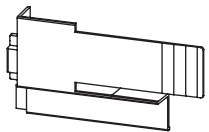


- 4** Secure M8 studs into the refrigerator doors, ensure the open end faces the top.

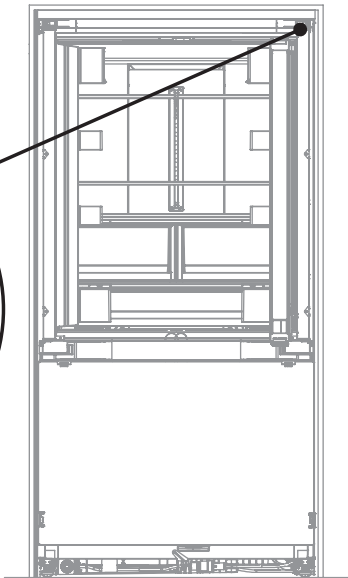
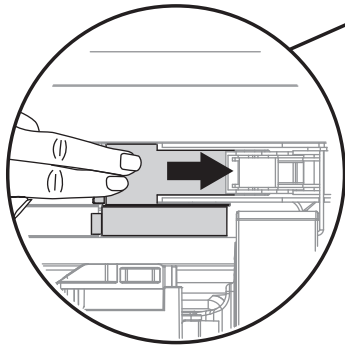
Repeat on all refrigerator doors.



- 3** Remove the right hinge end cap. Press on the center of the cap and push towards the right hinge to remove.

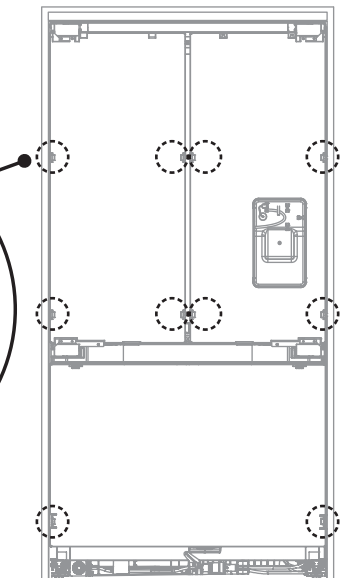
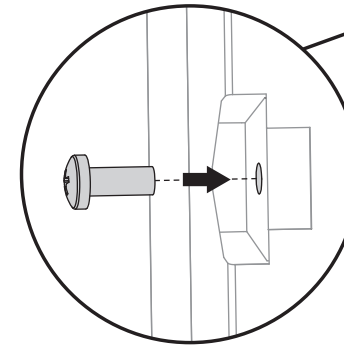


Reserve end hinge cap for later installation.



- 5** Secure mid-way, M5 x 10 pan head Phillips screw into the refrigerator doors.

Repeat on all refrigerator doors.

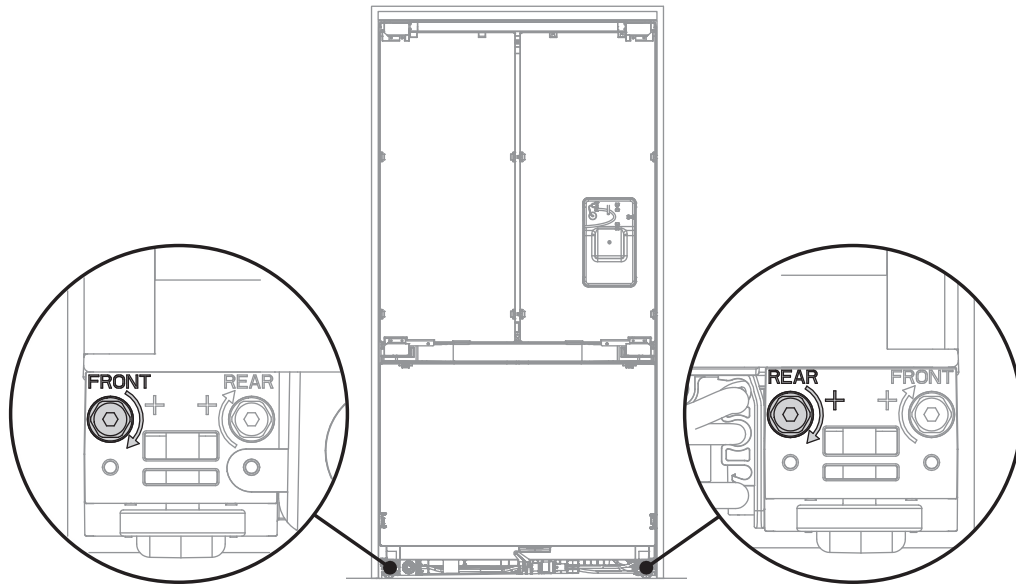


12 LEVEL YOUR PRODUCT

- It is important that all four corners of the product is supported firmly onto the floor to eliminate any movement.
- Installing the appliance on a soft, uneven, or not level floor may result in twisting of the product and poor door sealing.
- Raise the product using an $\frac{7}{16}$ " (11 mm) hex socket or $\frac{3}{16}$ " (4 mm) hex Allen key. One turn of height adjusting nuts is equivalent to $\frac{1}{16}$ " (1 mm) height travel.
Note: maximum travel $\frac{13}{16}$ " (20 mm).

- 1 Level the front of the product until it is flush with adjacent walls. Turn clockwise to raise roller or counter-clockwise to lower roller.

Repeat on opposite side.



- 2 Raise the rear of the product until the refrigerator doors are flush with the front face of adjacent walls. Turn clockwise to raise roller or counter-clockwise to lower roller.

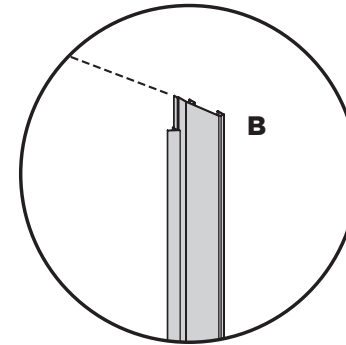
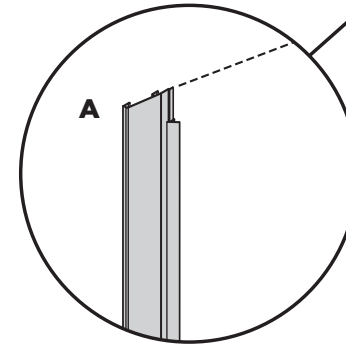
Repeat on opposite side.

Gently push the front of the product to check the stability, and ensure side gaps are even with enclosure.

13 ATTACH SIDE TRIMS

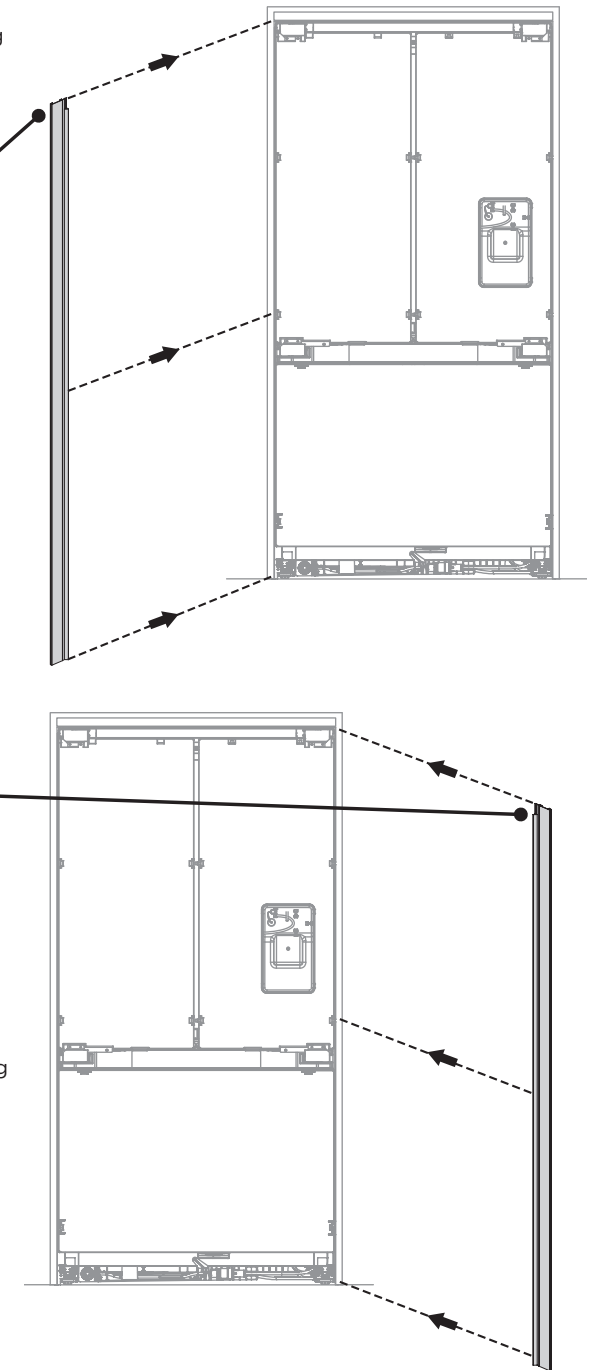
- 1 **Left side trim**
Ensure the shorter side trim lip is facing the top of the product (refer to **A**).

Insert the trim into the gap between the left side of the appliance and enclosure with the lip facing out.



- 2 **Right side trim**
Ensure the shorter side trim lip is facing the top of the product (refer to **B**).

Insert the trim into the gap between the right side of the appliance and enclosure with the lip facing out.



14 ASSEMBLE DOOR PANEL SET

The assembly of Fisher & Paykel door panel sets (EZKleen stainless steel door panels) and custom door panel sets are outlined below. For Fisher & Paykel door panel sets, only remove the protective film for handle installation. This will protect the finish of the door panels until installation is complete.

French door panels

1 Mounting handle (Refer to **A**)

For Fisher & Paykel door panel sets, remove the plastic plugs from the handle holes x4. Align the handle to the holes and secure with screw handle x4 (M5 x 25 pan head socket screws).

For custom panels, ensure handle is secured $2\frac{1}{16}$ " (65 mm) from the inner edge of the panel to the center – this will avoid interference with bracket installation.

2 Hanging bracket (Refer to **B**)

For Fisher & Paykel door panel sets, align the bracket to the holes and secure with screws x4 (M5 x 14 Mush Phillips SS).

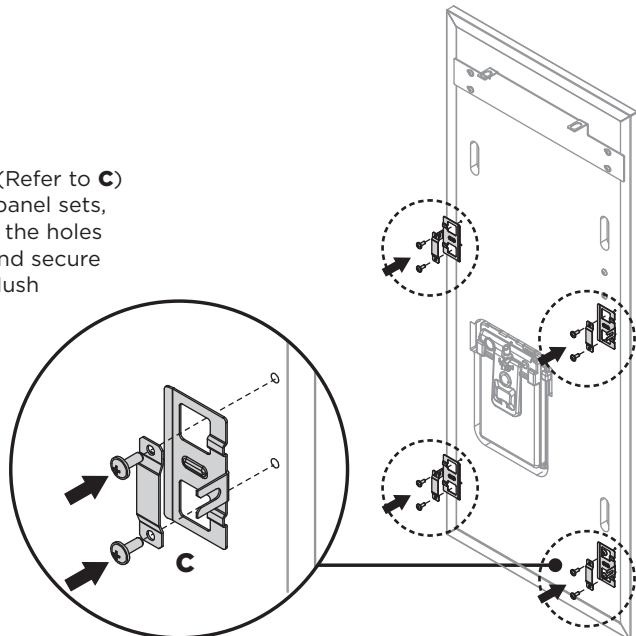
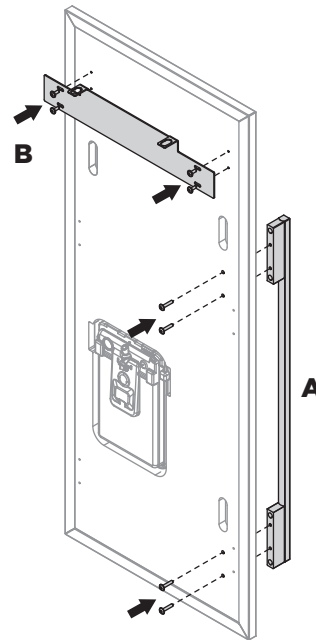
For custom panels, secure bracket with screws x4 (#8 x 16 Mush washer screws).

3 Side brackets and straps (Refer to **C**)

For Fisher & Paykel door panel sets, align bracket and strap to the holes on the side of the panel and secure with screws x2 (M5 x 14 Mush Phillips SS).

For custom panels, secure bracket with screws x2 (#8 x 16 Mush washer screws).

Repeat this process for all brackets and straps, and remaining French door panel.



Drawer door panel

4 Mounting handle (Refer to **D**)

For Fisher & Paykel door panel sets, remove the plastic plugs from the handle holes x4. Align the handle to the holes and secure with screw handle x4 (M5 x 25 pan head socket screws).

For custom panels, ensure handle screw heads are counter sunk into the back of the panel to avoid interference with hanging bracket.

5 Hanging bracket (Refer to **E**)

For Fisher & Paykel door panel sets, align the bracket to the holes and secure with screws x6 (M5 x 14 Mush Phillips SS).

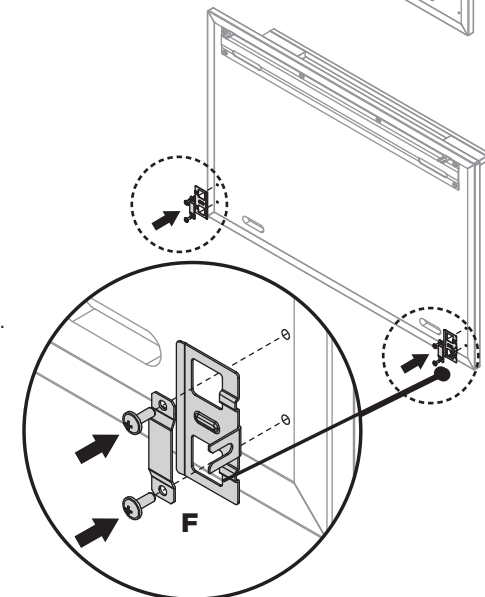
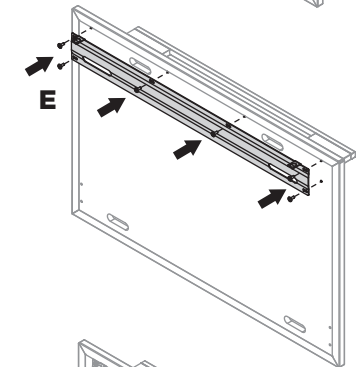
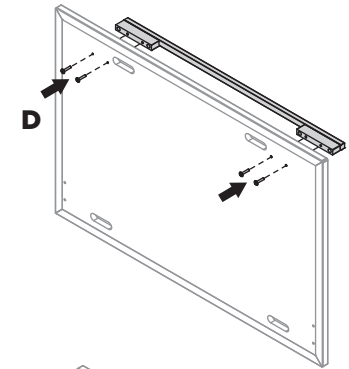
For custom panels, secure bracket with screws x6 (#8 x 16 Mush washer screws).

6 Side brackets and straps (Refer to **F**)

For Fisher & Paykel door panel sets, align bracket and strap to the holes on the side of the panel and secure with screws x2 (M5 x 14 Mush Phillips SS).

For custom panels, secure bracket with screws x2 (#8 x 16 Mush washer screws).

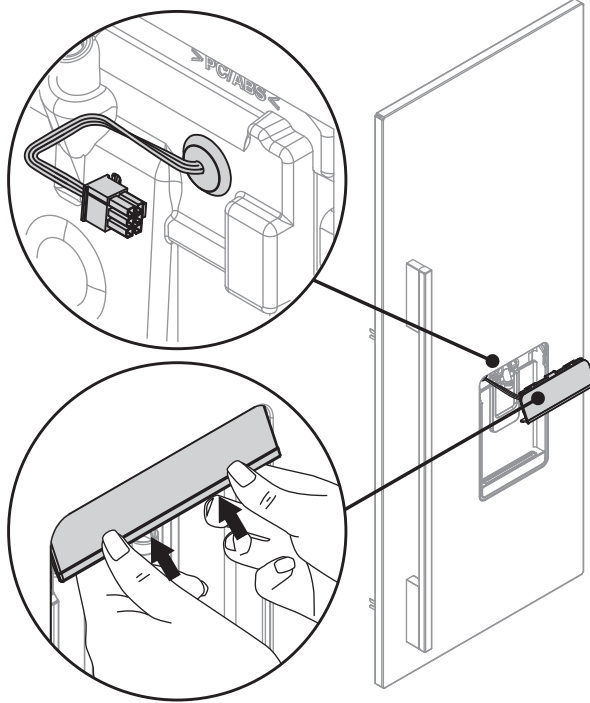
Repeat this process for all brackets and straps.



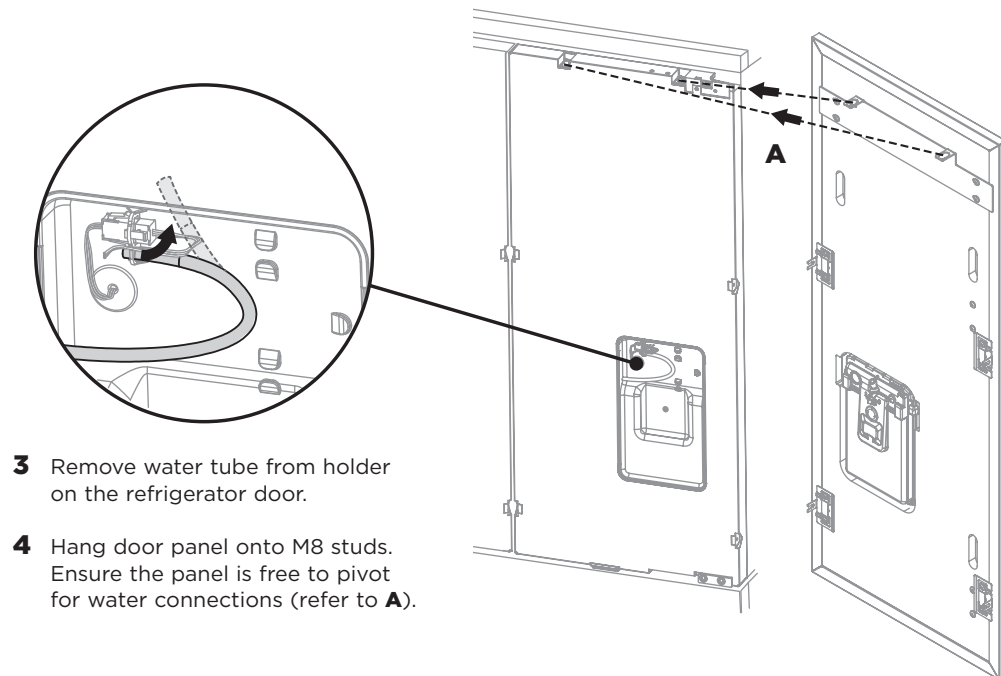
15 HANGING ICE & WATER DOOR PANEL

- 1** Remove the external display module from inside the product.

Thread the display harness through the door panel cavity. Ensure the grommet is engaged.



- 2** Angle top display tabs into the door panel. Ensure the harness is free of pinching. Firmly push against bottom display tabs and insert into the door panel until you feel it clip securely. Ensure the display is flush with the door panel.

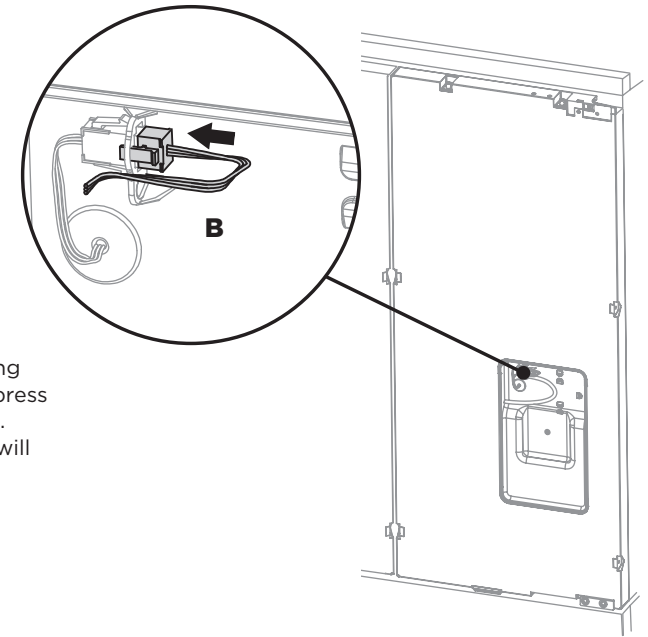


- 3** Remove water tube from holder on the refrigerator door.

- 4** Hang door panel onto M8 studs. Ensure the panel is free to pivot for water connections (refer to **A**).

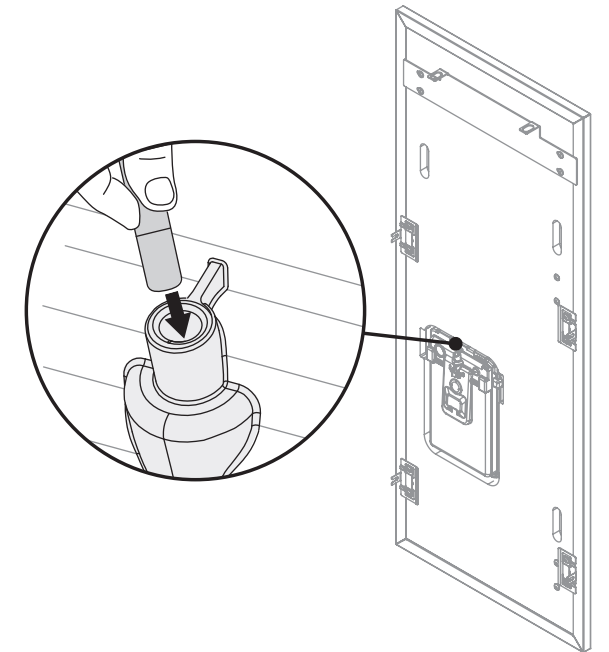
- 5** Connect the display harness onto the refrigerator door by firmly inserting until you feel it clip securely (refer to **B**).

On the external display, enable the dispenser lock, this will help prevent any water from dispensing during water connection. To lock, press the **6** button for 4 seconds. The LED above the button will illuminate.



- 6** Firmly push the water tube into the spigot behind the door panel until the marked line is not visible. Ensure the water tube is routed away from any sharp objects, sharp corners, and not in a location where it can be kinked or squashed when the door panel is secured, (as this will stop water flow).

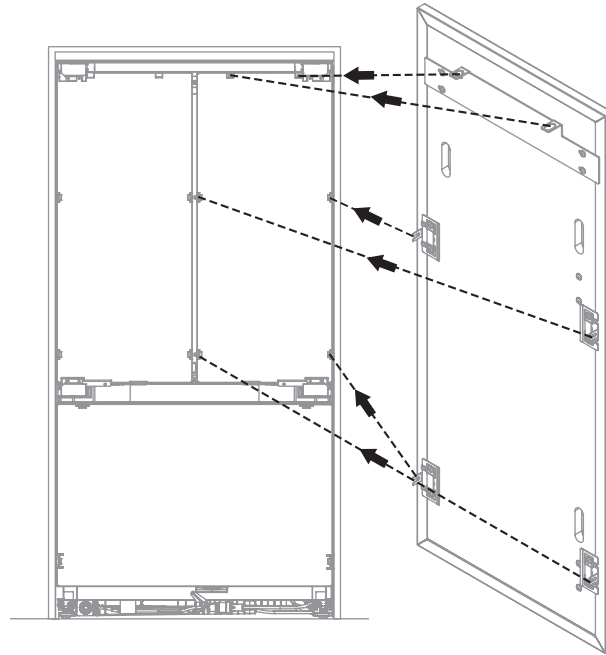
To secure door panel, follow the instructions in the next section: 'Hanging non-Water dispensing door panels'.



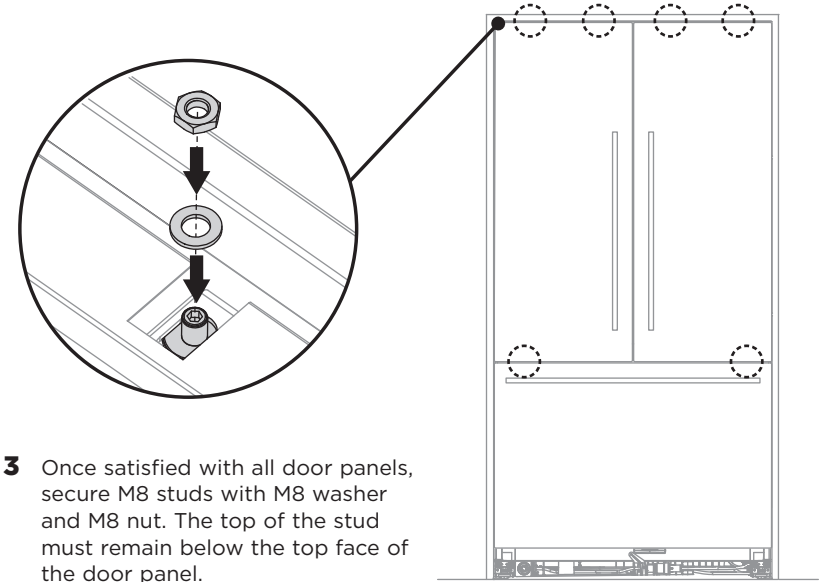
16 HANGING NON-WATER DISPENSING DOOR PANELS

- 1** Hang all door panels onto M8 studs and align the side bracket forks onto the refrigerator door.

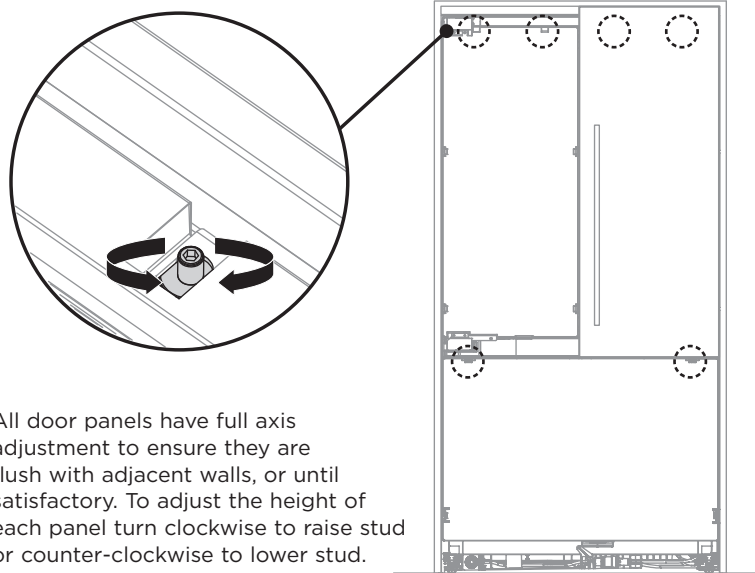
Ensure the forks are positioned around the body of the side screw (M5 x 10 pan head Phillips screw).



- 3** Once satisfied with all door panels, secure M8 studs with M8 washer and M8 nut. The top of the stud must remain below the top face of the door panel.

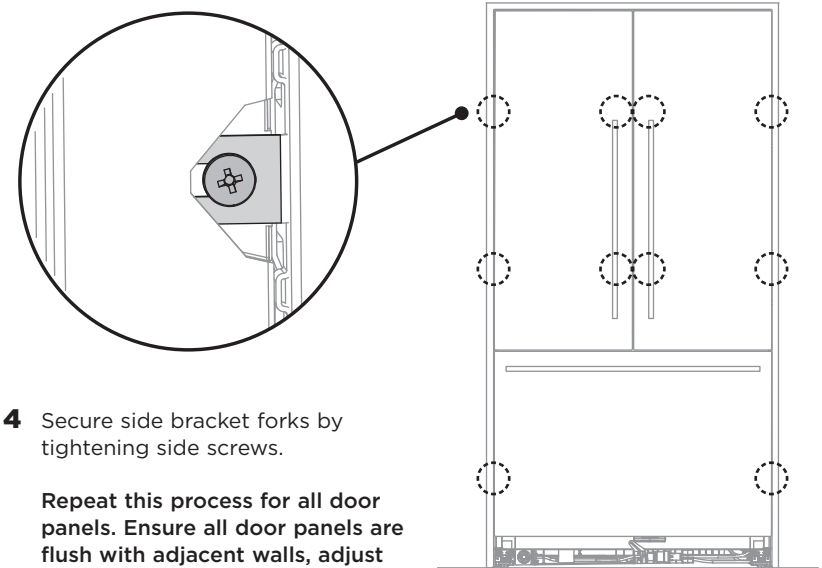


- 2** All door panels have full axis adjustment to ensure they are flush with adjacent walls, or until satisfactory. To adjust the height of each panel turn clockwise to raise stud or counter-clockwise to lower stud.



- 4** Secure side bracket forks by tightening side screws.

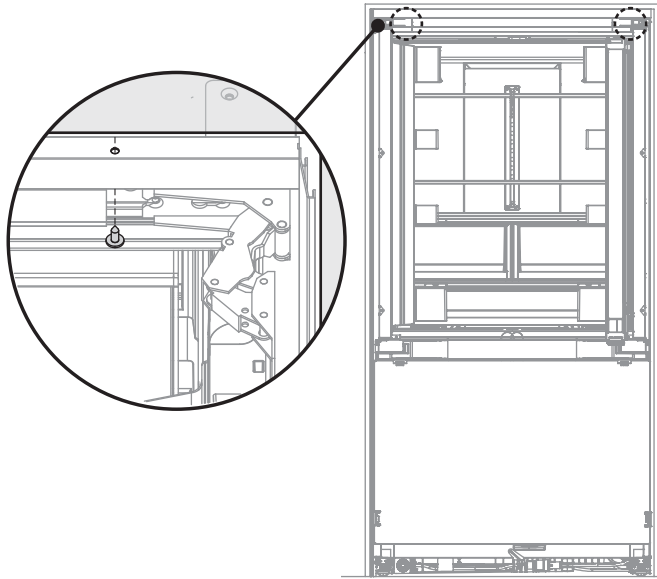
Repeat this process for all door panels. Ensure all door panels are flush with adjacent walls, adjust accordingly or until satisfactory.



17 TOP TRIM AND HINGE END CAPS

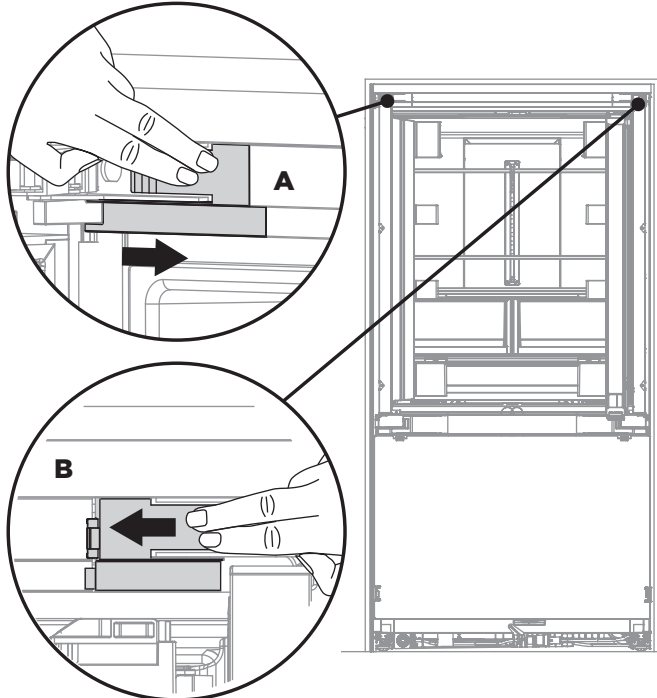
- 1 Secure the top trim to the ceiling of the enclosure with screw x1 (#8 x 16 mush washer screw).

Repeat this process on the opposite side.



- 2 Replace the left hinge end cap. Align hinge cap to the product, press and firmly slide the cap to the right (refer to **A**).

Hold onto the corner of the end cap, firmly push up and to the left to engage securing hook. Ensure cap is flush with the product.



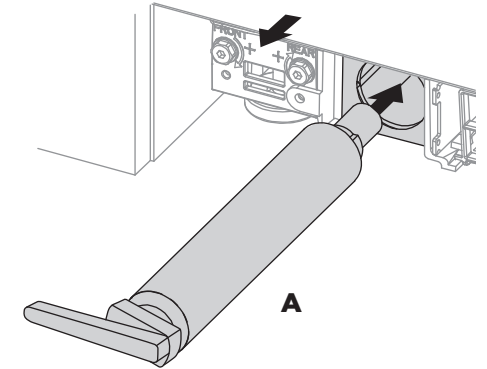
- 3 Replace right hinge end cap. Align hinge cap to product, press and firmly slide the cap to the left (refer to **B**). Ensure cap is flush with the product.

18 INSTALL WATER FILTER CARTRIDGE

IMPORTANT!

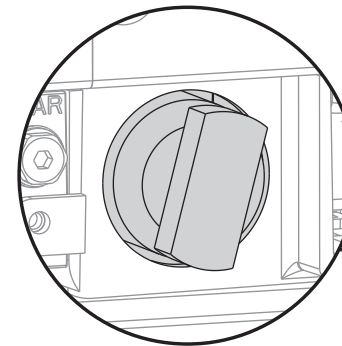
The water filter head must be firmly pushed into the product and secured, incorrect installation can lead to water leaks.

- 1 Remove the red protective cap on the spigot head and align the filter cartridge tool over the filter handle.

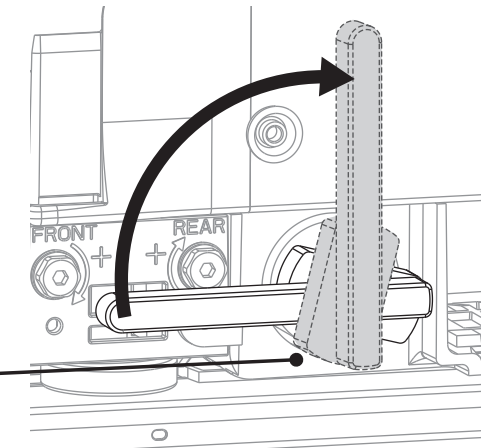


- 2 Pull the freezer drawer out slightly and insert the filter cartridge and tool into the bottom left of the product. Firmly push the cartridge in until the filter head cannot be pushed any further (refer to **A**).

- 3 Turn 90° clockwise to tighten. Remove filter cartridge tool and close freezer drawer.



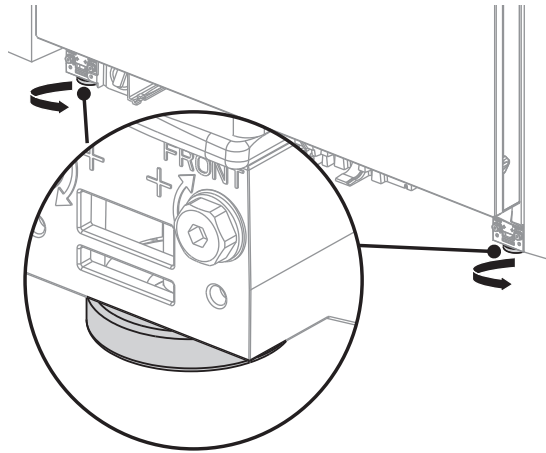
Filter cartridge in the locked position



19 ATTACH COVERS AND KICKSTRIPS

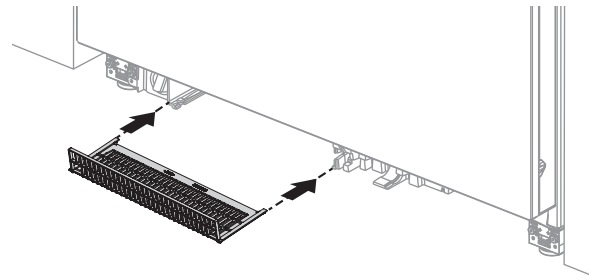
1 To stabilize the product, lower the front feet. Turn clockwise to lower feet.

Repeat on the opposite side.



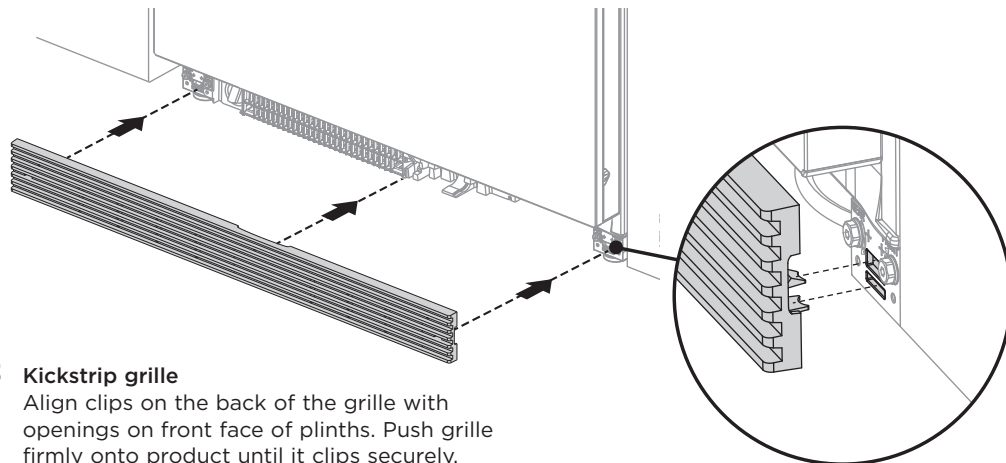
2 Kickstrip filter

Remove filter from inside the product. Fit the filter onto the rails and push to the rear until it clips securely.

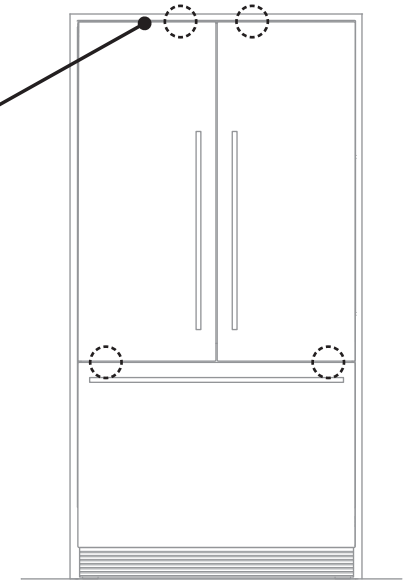
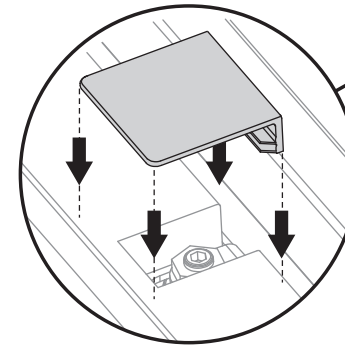


3 Kickstrip grille

Align clips on the back of the grille with openings on front face of plinths. Push grille firmly onto product until it clips securely.



4 For Fisher & Paykel door panel sets, remove any remaining protective film from all door panels.

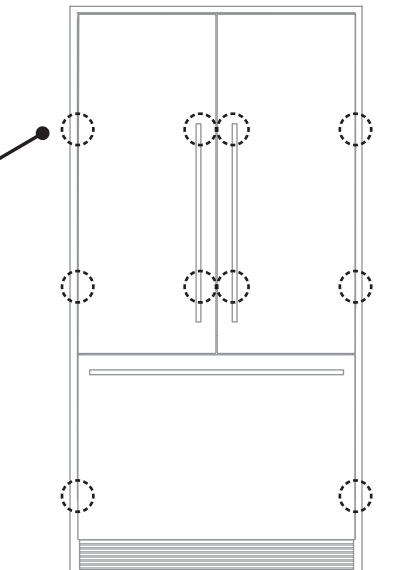
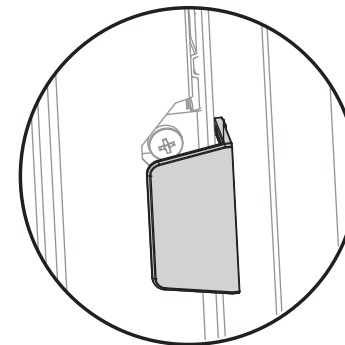


5 Open the refrigerator French doors to conceal the outer top studs using top covers. Firmly push top cover over top door studs.

Repeat this process for the freezer drawer.

6 Open the refrigerator French doors to conceal the side screws using side covers. Firmly push side cover over side screws.








Repeat this process for the freezer drawer.



20 FINAL CHECKLIST

✓ TO BE COMPLETED BY THE INSTALLER

All models

- Check all parts are installed.
- Ensure the product is level.
- Ensure the product is securely fastened to the cabinetry with the supplied anti-tip bracket and fittings.
- Ensure the doors/drawer can open and close freely with no resistance from surrounding cabinetry.
- Ensure all internal and external packaging is removed from the appliance before use.
- Ensure change filter icon is enabled. This will remind you when the filter next needs replacing. Press and hold ,  and  for 4 seconds on the internal control panel.
- Ensure a manual ice maker cycle has been forced. Press and hold ,  and  for 4 seconds on the internal control panel, then close the refrigerator compartment door. The ice tray will flip twice. Empty the water from the bin, then dry and replace.
- Ensure ice maker is turned on. Press  button once on the internal control panel. This light above the button will illuminate indicating ice maker is on. Please discard the first 24 hours of ice harvest.

Ice & Water models only

- Ensure the water filtration system has been flushed.

To flush the water filtration system

- When using your water dispenser for the first time, run the dispenser pad until water dispenses, this will displace trapped air in the water tank and filter system. This will take at least 2 minutes. Once water has dispensed, rest the dispenser pad for 2 minutes.
- Dispense and discard 4 qt (4 L) of water, then rest the dispenser pad for a further 2 minutes, repeat process.
- Failure to do this will result in excessive dripping from your water dispenser.

IMPORTANT!

DO NOT continuously dispense water for longer than 2 minutes at a time.

Complete and keep for safe reference:

Model _____

Serial No. _____

Purchase Date _____

Purchaser _____

Dealer Address _____

Installer's Name _____

Installer's Signature _____

Installation Company _____

Installation Date _____

www.fisherpaykel.com

Copyright © Fisher & Paykel 2015. All rights reserved.
The product specifications in this booklet apply to the specific products and models described at the date of issue. Under our policy of continuous product improvement, these specifications may change at any time. You should therefore check with your Dealer to ensure this booklet correctly describes the product currently available.

US CA

843157 A 06.15