

Printing Specification

1. Specification

1. Specification		1.1 Folding / Cover	
Models	1. Model Name:	24_27GS50F	
	2. Suffix:	US/CC	
	3. Part No:	MFL72098003	
	4. REV	REV02	
SIZE	5. Number of pages	16	
	6. Folded/Unfolded	Unfolded	
	7. Trim size (W x H)_Unfolded (mm)	210 X 148 (A5)	
	8. Trim size (W x H)_folded (mm)	-	
COVER	9. Bindery	Saddle stitching	
	10. Color (Cover)	1	
	11. Paper (Cover)	Wood free	
	12. Weight (cover) (g/m ²)	80	
INNER	13. Color (inner)	1	
	14. Paper (inner)	Wood free	
	15. Weight (inner) (g/m ²)	80	
	16. Coating	-	
	17. Thomson	-	
	18. Sub-material	-	
	19. Languages	ENG/FRE_CA/SPA_LA (3)	

Front

2

3

4

5....

Back

2. Origin Notification

<p>Copyright © 2021 LG Electronics Inc. All Rights Reserved. www.lg.com</p> <p style="text-align: center;">Printed in Korea ← Printed in [Country Name in English] Imprimé en Corée ← Imprimé en(au) [Country Name in French]</p> <p style="text-align: center;">Changes the Country name.</p>	<p>[Country Name] (ENG/FRE)</p> <table border="0"> <tr><td>LGERS/ LGEMX :</td><td>Printed in Mexico Imprimé au Mexique</td></tr> <tr><td>LGEKR:</td><td>Printed in Korea Imprimé en Corée</td></tr> <tr><td>LGEMA:</td><td>Printed in Poland Imprimé en Pologne</td></tr> <tr><td>LGEND:</td><td>Printed in China Imprimé en Chine</td></tr> <tr><td>LGEIN:</td><td>Printed in Indonesia Imprimé en Indonésie</td></tr> <tr><td>Others:</td><td>Each Country name.</td></tr> </table>	LGERS/ LGEMX :	Printed in Mexico Imprimé au Mexique	LGEKR:	Printed in Korea Imprimé en Corée	LGEMA:	Printed in Poland Imprimé en Pologne	LGEND:	Printed in China Imprimé en Chine	LGEIN:	Printed in Indonesia Imprimé en Indonésie	Others:	Each Country name.
LGERS/ LGEMX :	Printed in Mexico Imprimé au Mexique												
LGEKR:	Printed in Korea Imprimé en Corée												
LGEMA:	Printed in Poland Imprimé en Pologne												
LGEND:	Printed in China Imprimé en Chine												
LGEIN:	Printed in Indonesia Imprimé en Indonésie												
Others:	Each Country name.												
NOTE	<p>[Restriction of Hazardous Substances] Hazardous substances on this product should be satisfied by substance regulation of Level A-I, A-II, SVHC according to LG(52)B-5011 standard. Especially, Part should be followed and controlled the following specification. (1) Hazardous substances test report should be submitted when part certification test and first mass production. (2) Especially, Don't use or contain lead (Pb) and cadmium (Cd) in ink.</p> <p>INK REQUIREMENT FOR EU (1) The amount of MOAH/MOSH must be less than 0.1% of the weight of the INK used. *MOAH(Mineral Oil Aromatic Hydrocarbons) : Consisting of 1 to 7 aromatic cycles *MOSH(Mineral Oil Saturated Hydrocarbons) : Consisting of 16 to 35 carbon atoms (2) From 01 January 2025 : Ban on the use of MOAH in INK up to a limit of one part per million(1ppm) for compounds of 3 to 7 aromatic cycles</p>												

3. History

REV07				
REV06				
REV05				
REV04				
REV03				
REV02	12/26/2024	To add the content about the arbitration enforcement clause of the North American (R2411000396)	EKMOB00501	Gwoon Lee
REV01	04/09/2024	To add the variation model GS50FX. (R2403000684)	EKMO300378	Gwoon Lee
REV00	02/19/2024	-	-	Checked : Cholong.Kim Approved : Jongok.Kim
Rev. Number	Date	Description	ECO Number	Owner
				Gwoon.Lee



Quick Setup Guide / Guide de configuration rapide / Guía Rápida de Configuración



(LED Monitor/ Moniteur à DEL/ Monitor LED)

Please read this manual carefully before operating your set and retain it for future reference.

Veuillez lire ce guide de configuration rapide attentivement avant d'utiliser votre produit et conservez-le pour pouvoir vous y reporter ultérieurement.

Lea atentamente este manual antes de poner en funcionamiento el equipo y consérvelo para futuras consultas.

24GS50F 24GS50FX 27GS40W
27GS50F 27GS50FX

www.lg.com

Copyright © 2024 LG Electronics Inc. All Rights Reserved.

Printed in China

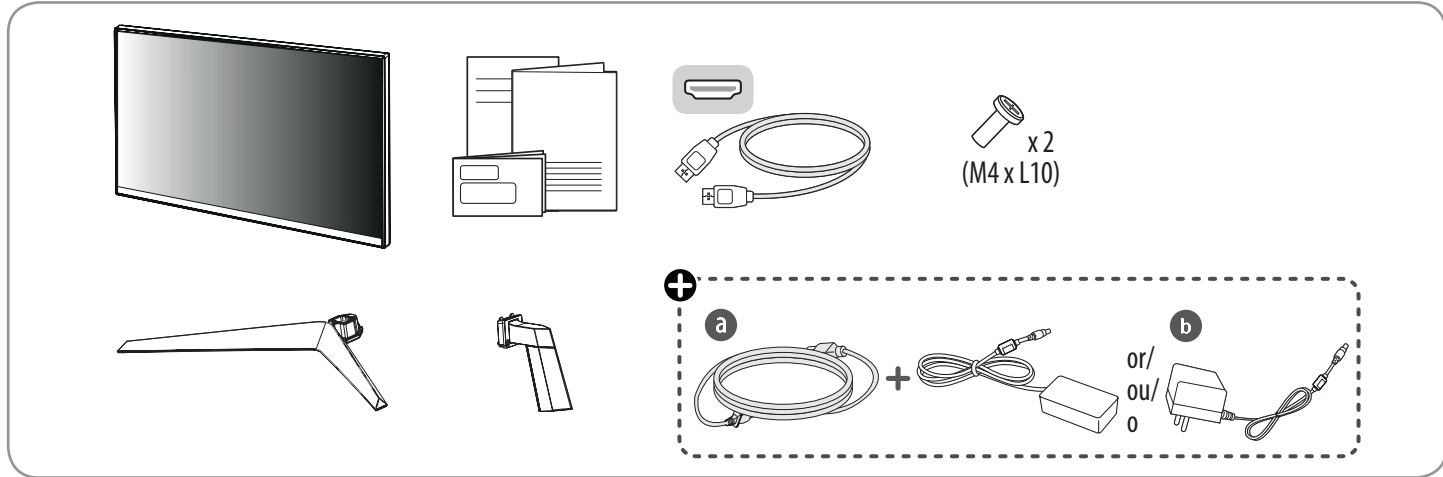
Copyright © 2024 LG Electronics inc. Tous droits réservés.

Imprimé en Chine



* M F L 7 2 0 9 8 0 0 3 *

(2501-REV02)



⊕ Depending on country / Selon le pays / Según del país

English

It is recommended that use the supplied components.

Français

Nous vous recommandons d'utiliser les composants fournis.

Español

Se recomienda utilizar los componentes suministrados.



www.lg.com

English

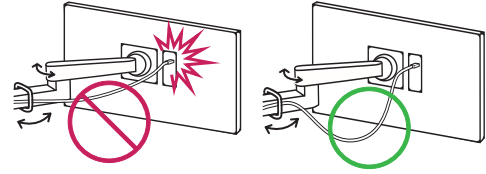
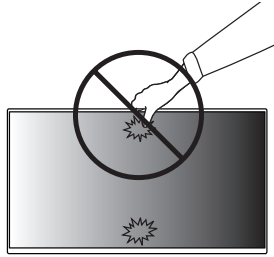
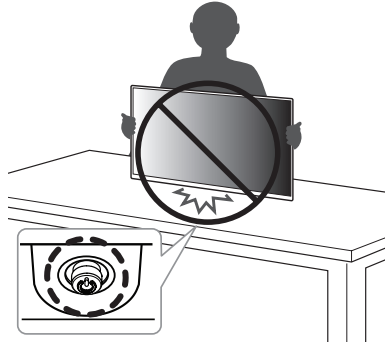
You can download manuals from the LGE website.

Français

Vous pouvez télécharger les manuels sur le site Web de LGE.

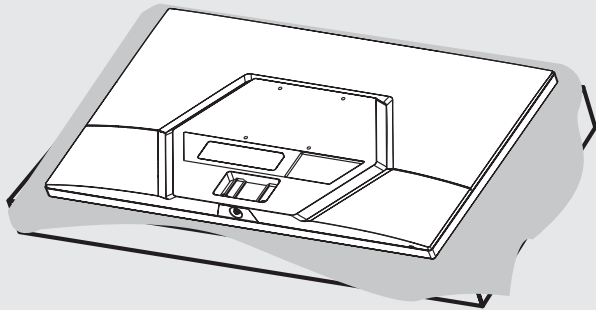
Español

Puede descargar los manuales del sitio web oficial de LGE.

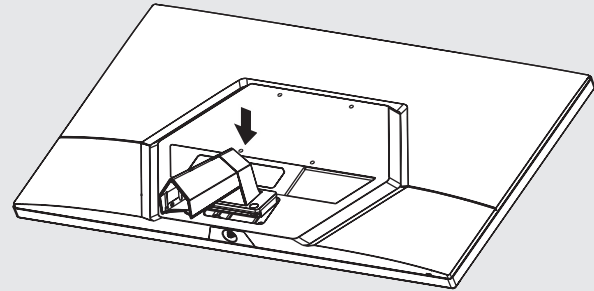




1

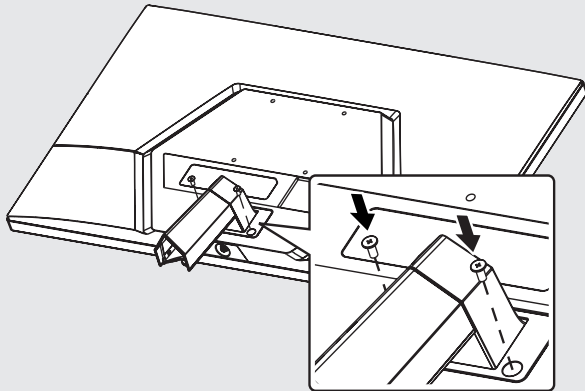


2

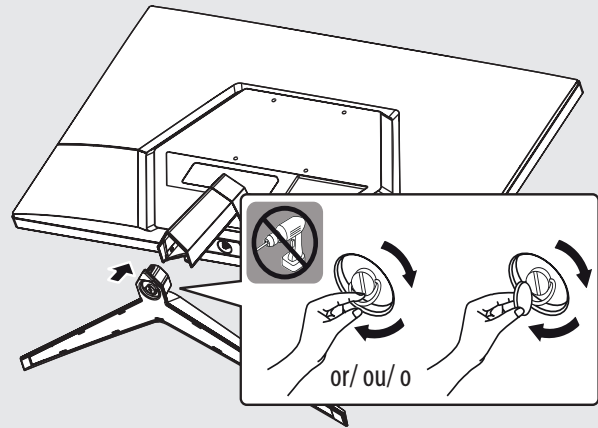




3

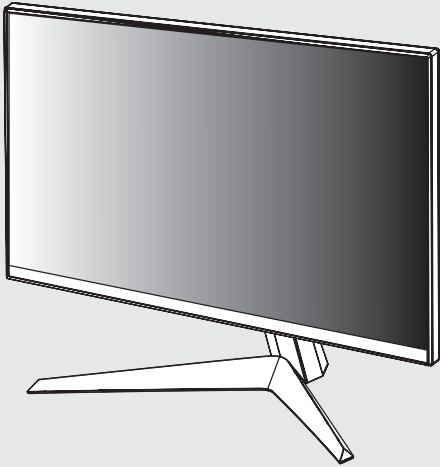


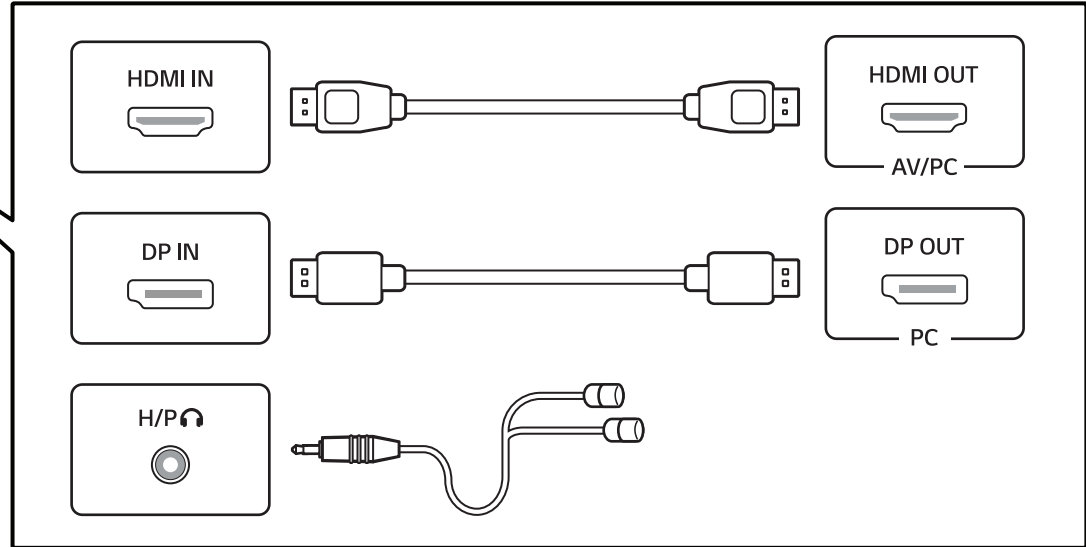
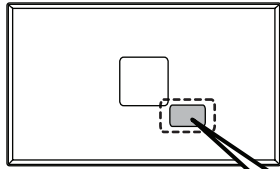
4





5





**English**

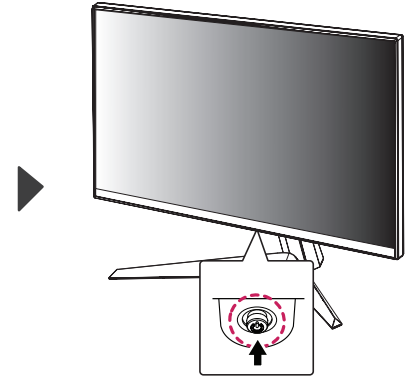
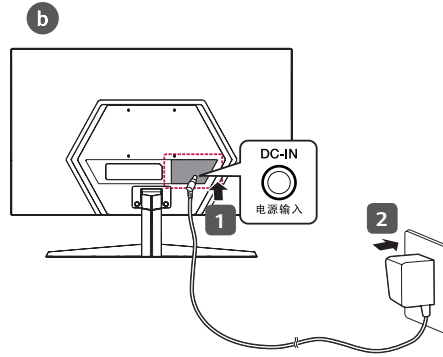
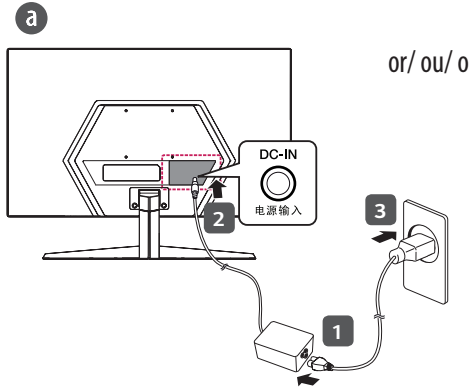
- Using a DVI to HDMI / DP (DisplayPort) to HDMI cable may cause compatibility issues.
- Make sure to use the supplied cable. Otherwise, this may cause the device to malfunction.

Français

- L'utilisation d'un câble DVI à HDMI/DP (DisplayPort) à HDMI peut présenter des problèmes de compatibilité.
- Assurez-vous d'utiliser le câble fourni avec le produit. Le non-respect de cette consigne peut entraîner un dysfonctionnement du périphérique.

Español

- El uso de un cable de DVI a HDMI / DP (DisplayPort) a HDMI puede causar problemas de compatibilidad.
- Asegúrese de utilizar el cable suministrado con el producto. De lo contrario, puede provocar que el dispositivo no funcione correctamente.





24GS50F / 24GS50FX

English	Dimensions (Width x Depth x Height)		Weight		Max Resolution	Vertical Frequency
	With Stand	Without Stand	With Stand	Without Stand		
	539.5 x 195.6 x 414.2 (mm) 21.2 x 7.7 x 16.3 (inches)	539.5 x 39 x 322.2 (mm) 21.2 x 1.5 x 12.6 (inches)	3.55 kg (7.82 lbs)	2.95 kg (6.5 lbs)	1920 x 1080	180 Hz
Français	Dimensions (Largeur x Profondeur x Hauteur)		Poids		Résolution max.	Fréquence verticale
	Avec socle	Sans socle	Avec socle	Sans socle		
	539,5 x 195,6 x 414,2 (mm) 21,2 x 7,7 x 16,3 (po)	539,5 x 39 x 322,2 (mm) 21,2 x 1,5 x 12,6 (po)	3,55 kg (7,82 lb)	2,95 kg (6,5 lb)	1 920 x 1 080	180 Hz
Español	Dimensiones (Anchura x Profundidad x Altura)		Peso		Máxima resolución	Frecuencia vertical
	Soporte incluido	Soporte no incluido	Soporte incluido	Soporte no incluido		
	539,5 x 195,6 x 414,2 (mm)	539,5 x 39 x 322,2 (mm)	3,55 kg	2,95 kg	1 920 x 1 080 píxeles	180 Hz
	Clasificación de potencia		19 V --- 1,3 A			
Especificaciones de Adaptador de ca/cc		Salida	19 V --- 1,3 A			
		Entrada	100-240 V~ 50/60 Hz 0,7 A			



27GS50F / 27GS50FX / 27GS40W

English	Dimensions (Width x Depth x Height)		Weight		Max Resolution	Vertical Frequency
	With Stand 613.6 x 201.6 x 456.0 (mm) 24.1 x 7.9 x 17.9 (inches)	Without Stand 613.6 x 39.3 x 364.0 (mm) 24.1 x 1.5 x 14.3 (inches)	With Stand 3.87 kg (8.53 lbs)	Without Stand 3.25 kg (7.16 lbs)		
Français	Dimensions (Largeur x Profondeur x Hauteur)		Poids		Résolution max.	Fréquence verticale
	Avec socle 613,6 x 201,6 x 456,0 (mm) 24,1 x 7,9 x 17,9 (po)	Sans socle 613,6 x 39,3 x 364,0 (mm) 24,1 x 1,5 x 14,3 (po)	Avec socle 3,87 kg (8,53 lb)	Sans socle 3,25 kg (7,16 lb)		
Español	Dimensiones (Anchura x Profundidad x Altura)		Peso		Máxima resolución	Frecuencia vertical
	Soporte incluido 613,6 x 201,6 x 456,0 (mm)	Soporte no incluido 613,6 x 39,3 x 364,0 (mm)	Soporte incluido 3,87 kg	Soporte no incluido 3,25 kg		
	Clasificación de potencia		19 V --- 1,7 A			
	Especificaciones de Adaptador de ca/cc		Salida	19 V --- 1,7A		
Entrada			100-240 V~ 50/60 Hz 1,2 A			

**English****ARBITRATION NOTICE (USA) / États-Unis seulement**

By using this product, you agree that all disputes between you and LG arising out of or relating in any way to this product (including but not limited to warranty disputes) shall be resolved through binding arbitration on an individual basis, unless the laws of your state or territory do not permit that, or, in other jurisdictions, if you choose to opt out.

Additional information regarding the terms of the arbitration agreement (including details on the procedure for resolving disputes) is available at www.lg.com/us/arbitration (USA) and/or your owner's manual or warranty.

Español**AVISO DE ARBITRAJE (EE. UU.)**

Al utilizar este producto, usted acepta que todas las disputas entre usted y LG que surjan de este producto o se relacionen de alguna manera con él (incluidas, entre otras, las disputas de garantía) se resolverán mediante arbitraje vinculante de forma individual, a menos que las leyes de su estado o territorio no lo permitan, o en otras jurisdicciones, si decide optar por no participar.

Los sitios web www.lg.com/us/arbitration (EE. UU.) y/o el manual del propietario o la garantía contienen información adicional sobre los términos del acuerdo de arbitraje (incluidos detalles sobre el procedimiento para resolver disputas).





