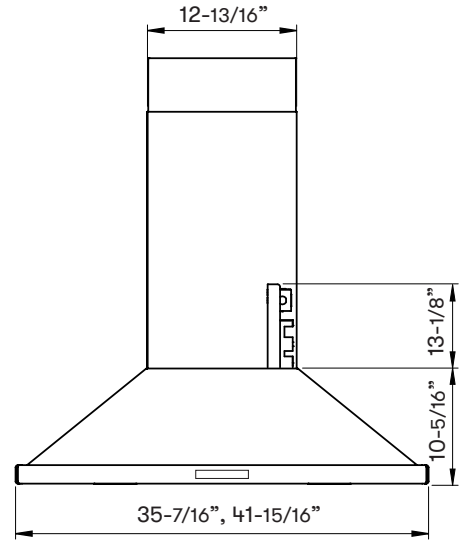


| Min. - Max. CFM   | INTERNAL BLOWER<br>STANDARD | INTERNAL BLOWER with ACT™<br>AIRFLOW CONTROL TECHNOLOGY™*  |           |           |
|-------------------|-----------------------------|--|-----------|-----------|
|                   |                             | 200 - 700  | 200 - 590 | 200 - 390 |
| Min. - Max. Sones | 0.8 - 6                     | *AIRFLOW CONTROL TECHNOLOGY™ (ACT™)<br>is an exclusive feature built into specific Zephyr hoods which can<br>limit the maximum blower CFM to meet local code requirements. |           |           |

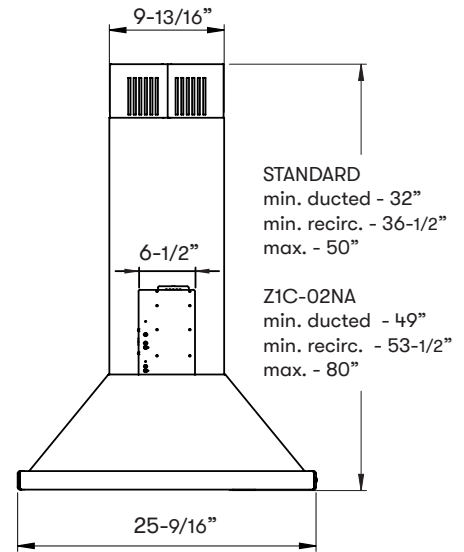


ACT™

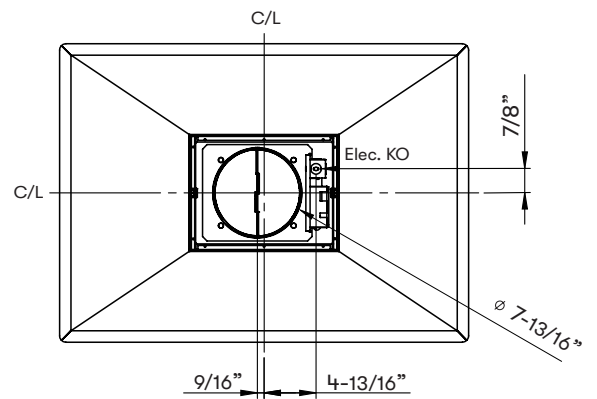
POWERWAVE™



FRONT



SIDE



TOP

## MODEL

|                 |           |           |
|-----------------|-----------|-----------|
| Stainless Steel | ZNA-M90DS | ZNA-E42DS |
| Size            | 36"       | 42"       |

## BLOWER PERFORMANCE

|                           |           |           |
|---------------------------|-----------|-----------|
| Blower CFM (Min. - Max.)  | 200 - 700 | 200 - 700 |
| Sones (Min. - Max.)       | 0.8 - 6   | 0.8 - 6   |
| ACT 590 CFM (Min. - Max.) | 200 - 590 | 200 - 590 |
| ACT 390 CFM (Min. - Max.) | 200 - 390 | 200 - 390 |
| ACT 290 CFM (Min. - Max.) | 200 - 290 | 200 - 290 |

## FEATURES

|                                |                                    |                                    |
|--------------------------------|------------------------------------|------------------------------------|
| Zephyr Connect App Compatible  | Yes                                | Yes                                |
| Alexa & Google Home Compatible | Yes                                | Yes                                |
| ACT™ Technology                | 590, 390, 290                      | 590, 390, 290                      |
| Controls                       | Proximity Touch                    | Proximity Touch                    |
| Speed Levels                   | 6*                                 | 6*                                 |
| Auto Delay-Off                 | Yes                                | Yes                                |
| CleanAir Function              | Yes                                | Yes                                |
| Lighting                       | LumiLight LED, 6W x4               | LumiLight LED, 6W x4               |
| Tri-Level Lighting             | Yes                                | Yes                                |
| Filters                        | Baffle x2                          | Baffle x2                          |
| Recirculating Option           | Yes                                | Yes                                |
| Quick-Lock Installation        | Yes                                | Yes                                |
| Magnetic Duct Covers           | Yes                                | Yes                                |
| Extension Duct Cover Option    | Yes, Up to 12' Ceiling             | Yes, Up to 12' Ceiling             |
| ADA Compliant                  | Yes, with Zephyr Connect or Remote | Yes, with Zephyr Connect or Remote |

## DUCT SPECIFICATIONS

|                            |                       |                       |
|----------------------------|-----------------------|-----------------------|
| Vertical Internal Blower   | 8" Round              | 8" Round              |
| Horizontal Internal Blower | NA                    | NA                    |
| AC POWER                   | 120V, 60Hz at Max. 5A | 120V, 60Hz at Max. 5A |

## OPTIONAL ACCESSORIES

|                         |          |          |
|-------------------------|----------|----------|
| Wireless Remote Control | 14000005 | 14000005 |
| Recirculating Kit       | ZRC-03NA | ZRC-03NA |
| Extension Duct Cover    | Z1C-02NA | Z1C-02NA |
| Make-Up Air Kit         | MUA008A  | MUA008A  |

|                         |           |           |
|-------------------------|-----------|-----------|
| MOUNTING HEIGHT RANGE** | 24" - 34" | 24" - 34" |
|-------------------------|-----------|-----------|

## WARRANTY

3 years parts, 1 year labor      3 years parts, 1 year labor

| CEILING HEIGHT       |                         | 8'        | 8.5'        | 9'        | 9.5'        | 10'         | 10.5'     | 11'       | 12'       |
|----------------------|-------------------------|-----------|-------------|-----------|-------------|-------------|-----------|-----------|-----------|
| STANDARD DUCT COVER  | Ducted Mounting Height* | 24" - 28" | 24" - 34"   | 24" - 34" | 28" - 34"   | 34" - 34"   | NA        | NA        | NA        |
|                      | Recirc Mounting Height* | NA        | 24" - 29.5" | 24" - 34" | 28" - 34"   | 34" - 34"   | NA        | NA        | NA        |
| EXTENSION DUCT COVER | Ducted Mounting Height* | NA        | NA          | NA        | 24" - 29"   | 24" - 34"   | 24" - 34" | 24" - 34" | 28" - 34" |
|                      | Recirc Mounting Height* | NA        | NA          | NA        | 24" - 24.5" | 24" - 30.5" | 24" - 34" | 24" - 34" | 28" - 34" |

\*When ACT™ is enabled the maximum speed levels will change. ACT 590 CFM = 5 speeds, ACT 390 CFM = 4 speeds and ACT 290 CFM = 3 speeds.

\*\*Mounting height refers to distance between top of a 36" tall cooking surface and bottom of hood.



## Zephyr Connect App

Zephyr Connect App allows you to control your range hood from anywhere using your mobile device. It includes real time diagnostics and provides important product information. All you need is a WiFi connection with access to the internet. It seamlessly integrates with your smart devices such as Amazon Alexa or Google Home smart speaker for voice activation. Available to download from Google Play or the App Store.



## Airflow Control Technology™ (ACT™)

is an exclusive feature built into specific Zephyr hoods which can limit the maximum blower CFM to meet local code requirements.

## PowerWave™ 3-Phase Blower Technology

delivers best-in-class performance with unparalleled quiet operation. It provides more power while minimizing noise and improving efficiency.