

FRIGIDAIRE

GALLERY



30" Rear Control Electric Range with Total Convection

Electric Range

Available Products: GCRE3060BD, GCRE3060BF

Available Colors: Black Stainless Steel, Stainless Steel

Version: 10/23

Product Specifications

Cooking Controls

| | |
|---------------------|-----|
| Air Fry | Yes |
| Air Sous Vide | Yes |
| Bake | Yes |
| Bake Time | Yes |
| Broil | Yes |
| Clock | Yes |
| Convection Bake | Yes |
| Convection Roast | Yes |
| Cook Time | Yes |
| Delay Clean | Yes |
| Delay Start | Yes |
| Door Lock | Yes |
| Keep Warm | Yes |
| Kitchen Timer | Yes |
| Light | Yes |
| Lockout | Yes |
| No Preheat | Yes |
| Numerical Keypad | Yes |
| Off | Yes |
| Oven Light | Yes |
| Probe | Yes |
| Self Clean | Yes |
| Set Clock | Yes |
| Slow Cook | Yes |
| Start | Yes |
| Steam Bake | Yes |
| Steam Clean | Yes |
| Steam Roast | Yes |
| Temperature Display | Yes |
| Timer On / Off | Yes |
| User Preferences | Yes |
| Warm Zone | Yes |

Cooking Controls Function

| | |
|---|-----|
| Change between Continuous Bake Setting or 12-Hour Energy Saving Feature | Yes |
| Delayed Bake | Yes |
| Program Fahrenheit or Celsius | Yes |
| Silent Control Panel | Yes |

Cooktop

| | |
|-----------------------------|--------|
| Bridge Element | Yes |
| Bridge Element Location | Left |
| Cooking Surface Type | Smooth |
| Element On Indicator Light | Yes |
| Hot-Surface Indicator Light | Yes |

Drawer

| | |
|---------------------|------------|
| Drawer Handle Style | Integrated |
| Drawer Type | Storage |

Display

| | |
|-------------------------|-------|
| Control Location | Rear |
| Display Interface Color | White |

Electrical Specifications

| | |
|-----------------------|---------|
| Amps @ 240 Volts | 40 Amps |
| Connected Load @ 240V | 13 kW |
| Voltage Rating | 240 V |

General Specifications

| | |
|------------------|--------|
| Prop 65 Label | Yes |
| Warranty - Labor | 1 Year |
| Warranty - Parts | 1 Year |

Safety Certifications and Approvals

| | |
|-----------|-----|
| UL Listed | Yes |
|-----------|-----|

For planning purposes only. We reserve the right to change specifications or discontinue models without notice. Refer to Product Installation Guide for detailed installation instructions on the web at frigidaire.com/frigidaire.ca Electrolux Major Appliances, N.A.

USA • 10200 David Taylor Drive • Charlotte, NC 28262 • Charlotte, NC 28262 • 1-877-4electrolux (1-877-435-3287) • frigidaire.com
CANADA • 5855 Terry Fox Way • Mississauga, ON L5V 3E4 • 1-800-265-8352 • frigidaire.ca

Oven

| | |
|---------------------------|----------------|
| Bake Element | 2500 Watts |
| Bake Element Pass | 8 |
| Bake Element Type | Hidden |
| Broil Element | 4000 Watts |
| Broil Element Pass | 6 |
| Cleaning System | Yes |
| Convection | Yes |
| Convection Element | 3800 Watts |
| Convection Type | Total |
| Number of Convection Fans | 1 |
| Number of Rack Positions | 6 |
| Oven Interior Color | Midnight Black |
| Oven Light Quantity | 1 |
| Oven Light Type | Halogen |
| Oven Light Watts | 40 Watts |
| Rack Position Type | Embossed |
| Rack Type 1 | Flat |
| Rack Type 1 Quantity | 2 |

Cooktop Performance

| | |
|---------------------------------|-------------|
| Right Front Element Burner Size | 9" |
| Right Rear Element Burner Size | 6" |
| Left Front Element Burner Size | 7" |
| Left Rear Element Burner Size | 7" |
| Right Front Element Burner | 3200 Watts |
| Right Rear Element Burner | 1200 Watts |
| Left Front Element Burner | 1800 Watts |
| Left Rear Element Burner | 1800 Watts |
| Center Rear Element Burner | 100 Watts |
| Keep Warm Burner Location | Center Rear |

Controls

| | |
|--------------|-----|
| Control Lock | Yes |
| Sabbath Mode | Yes |

Dimensions and Volume

| | |
|--------------------------|-------------|
| Minimum Height | 46 3/4" |
| Maximum Height | 47 3/4" |
| Width | 30" |
| Depth | 26" |
| Depth With Door 90° Open | 47 5/16" |
| Depth With Handle | 28 1/2" |
| Oven Interior Height | 18 1/8" |
| Oven Interior Width | 25 3/16" |
| Oven Interior Depth | 19 7/8" |
| Oven Capacity | 5.3 Cu. Ft. |

Installation

| | |
|--------------------------|-----|
| Adjustable Leveling Legs | Yes |
|--------------------------|-----|

Certifications and Approvals

| | |
|----------------------|-----|
| Star-K Certification | Yes |
|----------------------|-----|

Installation Diagram

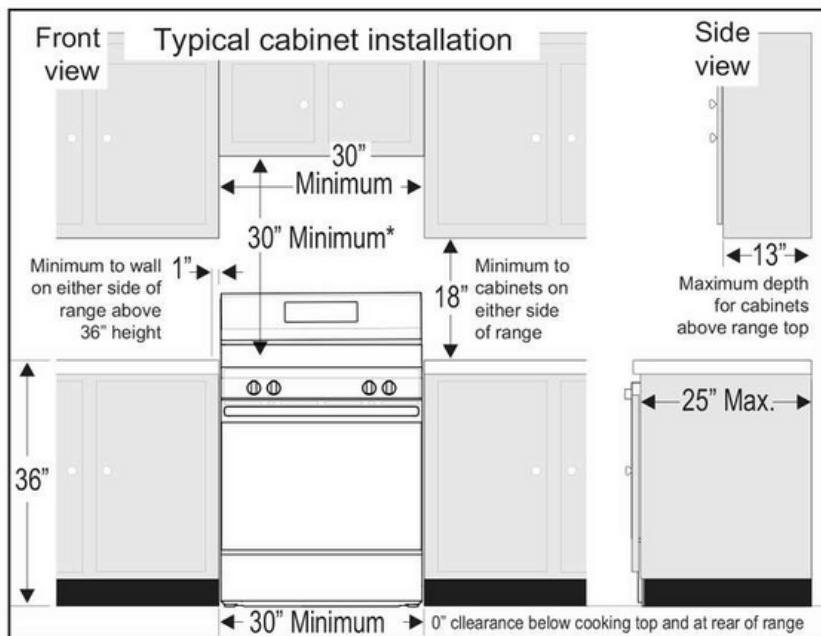


Fig. 1

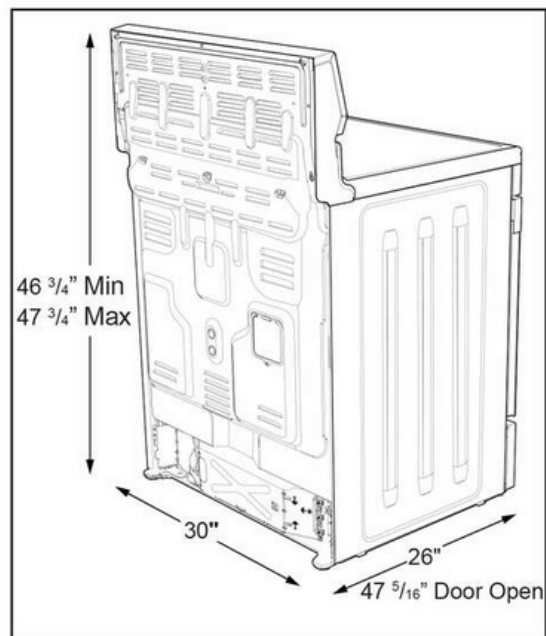


Fig. 2

*30" (762 mm) MINIMUM CLEARANCE BETWEEN THE TOP OF THE COOKING SURFACE AND THE BOTTOM OF AN UNPROTECTED WOOD OR METAL CABINET; OR 24" (610 mm) MINIMUM WHEN BOTTOM OF WOOD OR METAL CABINET IS PROTECTED BY NOT LESS THAN 1/4" (6 mm) FLAME RETARDANT MILLBOARD COVERED WITH NOT LESS THAN NO. 28 MSG SHEET STEEL, 0.015" (0.4 mm) STAINLESS STEEL, 0.024" (0.6 mm) ALUMINUM OR 0.020" (0.5 mm) COPPER. 0" (0 mm) CLEARANCE IS THE MINIMUM FOR THE REAR OF THE RANGE. FOLLOW ALL DIMENSION REQUIREMENTS PROVIDED ABOVE TO PREVENT PROPERTY DAMAGE, POTENTIAL FIRE HAZARD, AND INCORRECT COUNTERTOP AND CABINET CUTS.

TO ELIMINATE THE RISK OF BURNS OR FIRE BY REACHING OVER HEATED SURFACE UNITS, CABINET STORAGE SPACE LOCATED ABOVE THE SURFACE UNITS SHOULD BE AVOIDED. IF CABINET STORAGE IS TO BE PROVIDED, THE RISK CAN BE REDUCED BY INSTALLING A RANGE HOOD THAT PROJECTS HORIZONTALLY A MINIMUM OF 5" (127 mm) BEYOND THE BOTTOM OF THE CABINETS.

