

PCWK22U1W

GE Profile™ Series 2.2 Cu. Ft. Built-In Sensor Microwave Oven

DIMENSIONS AND INSTALLATION INFORMATION (IN INCHES)

| EXTERIOR DIMENSIONS (IN INCHES) | |
|---------------------------------|--------------------------------|
| W x H x D | 24 7/8" x 13 9/16" x 19 11/16" |

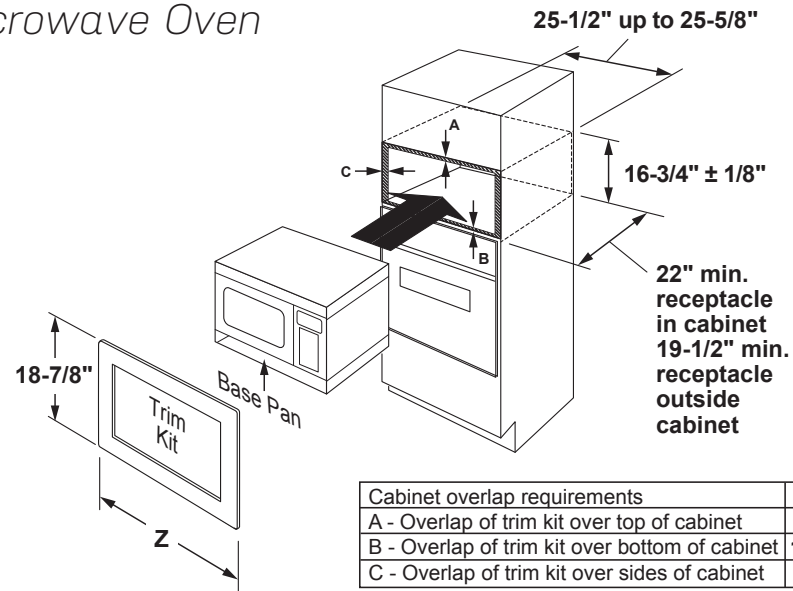
ACCESSORY TRIM KITS FOR GE MICROWAVE OVENS (AVAILABLE AT ADDITIONAL COST)

For a custom built-in appearance, these kits allow built-in installation of the microwave oven into a wall or cabinet alone and are U.L. approved for installation over a GE single electric wall oven. These kits should not be installed over a gas wall oven.

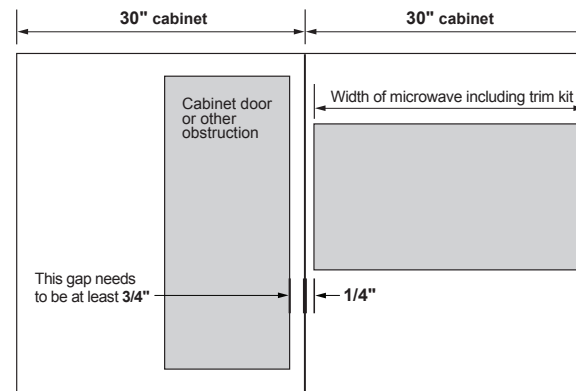
NOTE: 120V, 60-cycle, grounded power receptacle location optional on back within cabinet opening.

| COLOR | TRIM KIT | SIZE | Z | MAX. HEIGHT |
|-----------------|------------|------|---------|-------------|
| Stainless Steel | JX7227SLSS | 27" | 26 7/8" | 18 7/8" |
| Slate | JX7227ELES | 27" | 26 7/8" | 18 7/8" |
| Stainless Steel | JX7230SLSS | 30" | 29 3/4" | 18 7/8" |
| Slate | JX7230ELES | 30" | 29 3/4" | 18 7/8" |
| Black Stainless | JX7227BLTS | 27" | 26 7/8" | 18 7/8" |
| Black Slate | JX7227FMDS | 27" | 26 7/8" | 18 7/8" |
| Black Stainless | JX7230BLTS | 30" | 29 3/4" | 18 7/8" |
| Black Slate | JX7230FMDS | 30" | 29 3/4" | 18 7/8" |

INSTALLATION INFORMATION: This information is not intended to be used for installing unit described. Before installing, consult installation instructions packed with product/kit for current dimensional data. For ADA compliance, the microwave must be installed no higher than 36 1/4".



NOTE: Allow an additional inch of clearance beyond trim kit frame on all sides to prevent the trim kit from blocking any outside adjoining cabinets/obstructions. Reference below drawing.



For answers to your Monogram, GE Café™ Series, GE Profile™ Series or GE Appliances product questions, visit our website at geappliances.com or call GE Answer Center® Service, 800.626.2000.



PCWK22U1W

GE Profile™ Series 2.2 Cu. Ft. Built-In Sensor Microwave Oven

FEATURES AND BENEFITS

Built-in microwave – This countertop microwave is built-in capable with a sleek matching trim kit

Glass touch controls -- Features a smooth glass design that is easy to operate and easy to clean

Scan-to-Cook Technology -- Effortlessly prepare your favorite frozen meals exactly as intended by the manufacturer—just scan the barcode, and let your microwave handle the rest.

WiFi Connect -- Seamlessly manage your GE Profile microwave's power, cook time, and timers from your smartphone, tablet, or voice control device for ultimate convenience.

Sensor cooking controls -- Automatically adjusts time and power for delicious cooking results

Weight and time defrost – Simply enter the weight of the food, and the oven automatically sets the optimal defrosting time and power level or set your desired time for defrosting

Extra-large 16.5" turntable – Rotates food throughout the cycle and accommodates large cookware

Two-Step Child Lock - This mandatory feature helps prevent unintended use by younger family members, with the option to deactivate it if not needed.

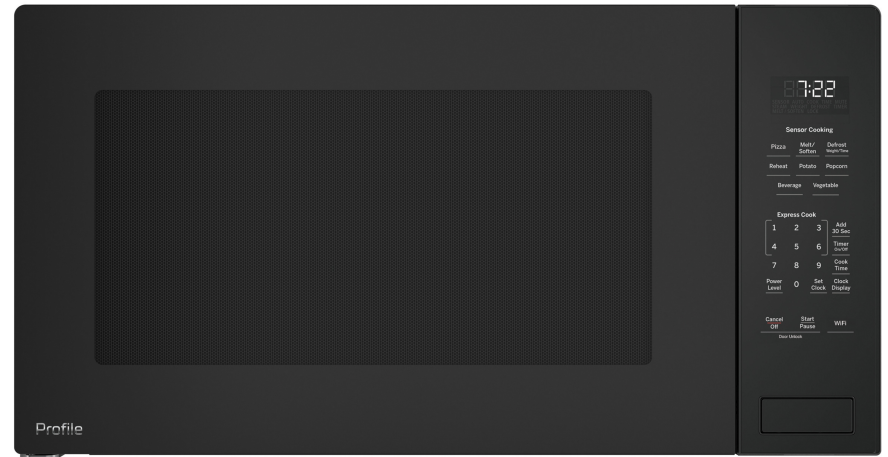
Add 30 seconds button – Add 30 second increments of microwave cooking time

Kitchen timer – Minute timer helps keep you on track

Model PCWK22U1WDD – Gray

Model PCWK22U1WWW – White

Model PCWK22U1WBB – Black



For answers to your Monogram, GE Café™ Series, GE Profile™ Series or GE Appliances product questions, visit our website at geappliances.com or call GE Answer Center® Service, 800.626.2000.

