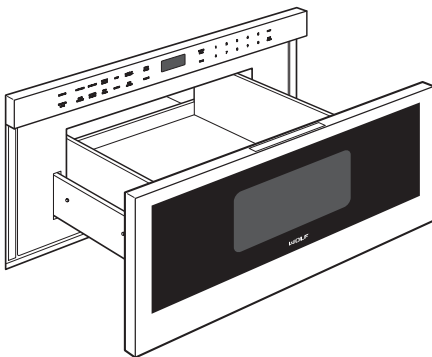


FEATURES

- Designed to match Wolf professional products.
- Standard or flush inset installation.
- Can be located undercounter or in a corner.
- Large-capacity interior.
- Touch control panel with interactive visual display and 10 preset power levels.
- One-touch drawer opening.
- Sensor cooking to monitor and adjust settings.
- Popcorn, beverage, reheat, keep warm, melt, soften, Gourmet and defrost settings.
- Auto start and multiple sequence cooking features.
- Interior light and window in drawer.
- Full-extension drawer glides.
- Control panel lock.



Model MD30PE/S

MODEL

Professional

MD30PE/S

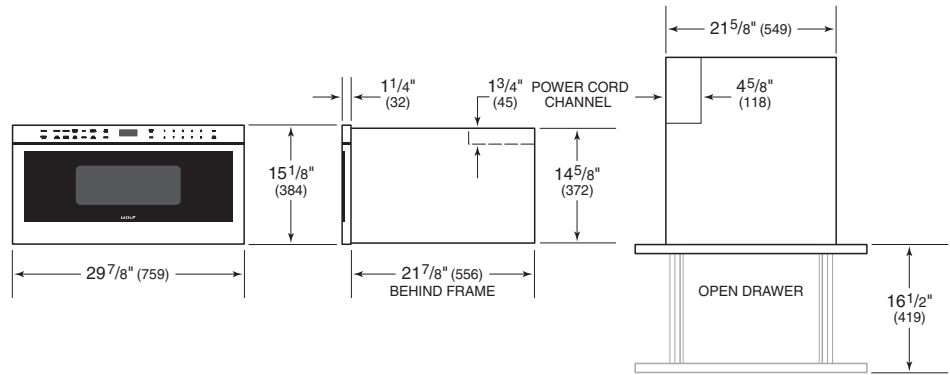
ACCESSORIES

- Air vent for flush inset installations.

Accessories available through an authorized Wolf dealer. For local dealer information, visit the find a showroom section of our website, wolfappliance.com.

SPECIFICATIONS	
PRODUCT	
Dimensions	29 ⁷ / ₈ "W x 15 ¹ / ₈ "H x 21 ⁷ / ₈ "D
Weight	96 lb
OVEN INTERIOR	
Capacity	1.2 cu ft
Dimensions	17 ⁵ / ₁₆ "W x 7 ¹ / ₈ "H x 16 ⁹ / ₁₆ "D
ELECTRICAL	
Supply	120 VAC, 60 Hz
Service	15 amp circuit
Power Cord	4'
POWER RATING	
Maximum	950 W

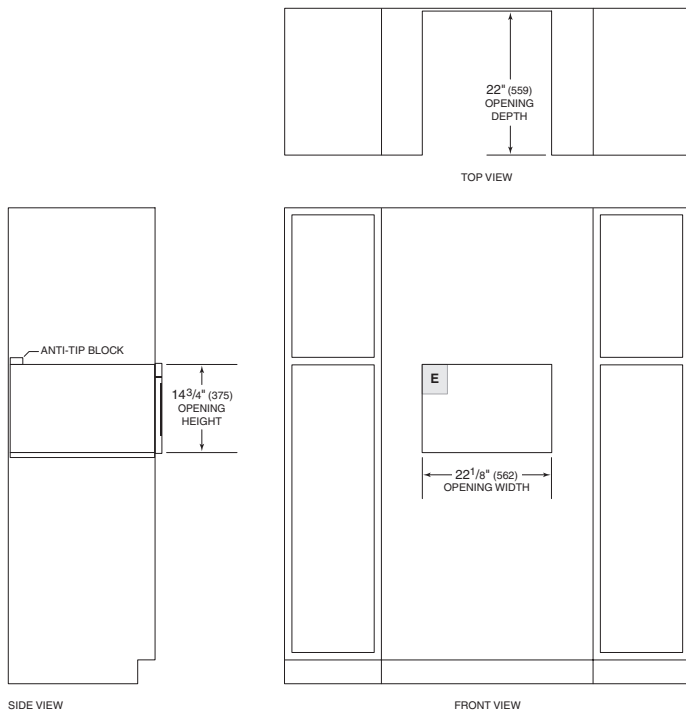
DIMENSIONS



Specifications are subject to change without notice. Visit wolfappliance.com/specs for the most up-to-date information.

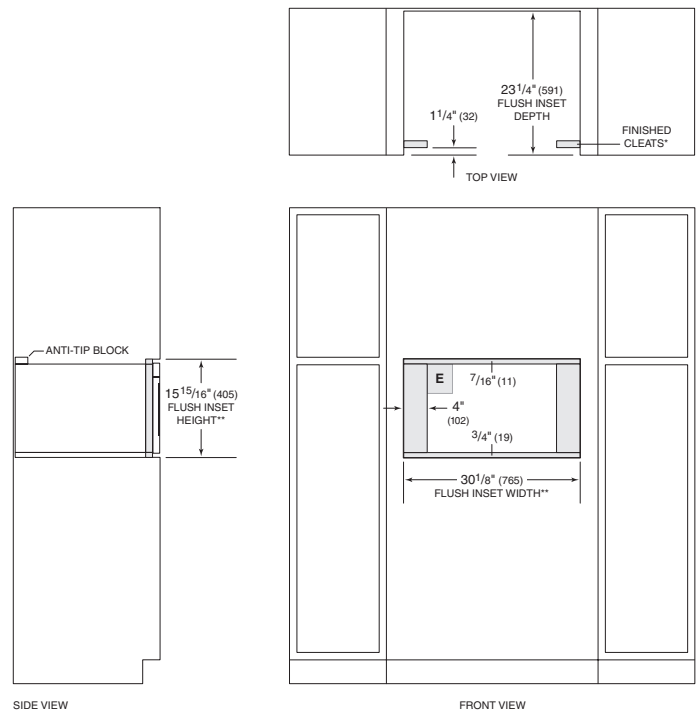
Dimensions may vary ±1/8" (3). Dimensions in parentheses are millimeters unless otherwise specified.

STANDARD INSTALLATION



NOTE: All drawer microwave ovens require the same opening dimensions.

FLUSH INSET INSTALLATION



*Will be visible and should be finished to match cabinetry.
 **Dimension provides minimum reveals.