

# FRIGIDAIRE

## GALLERY

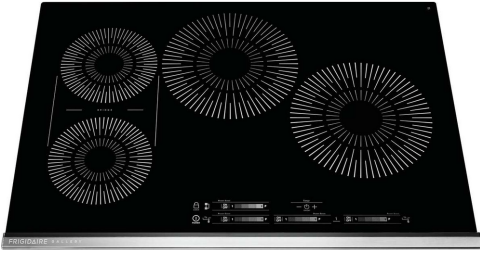
### 30" Induction Cooktop

Induction Cooktop

Available Products: GCCI3067AB

Available Colors: Black

Version: 08/22



## Product Specifications

### Cooktop

Bridge Element	Yes
Bridge Element Location	Left
Cooking Surface Type	Smooth
Auto Pan Detect	Yes

### Display

Display Interface Color	Red
Control Location	Front

### Electrical Specifications

Amps @ 240 Volts	30 Amps
Minimum Circuit Required	30 Amps

### Certifications and Approvals

ADA Compliant	Yes
---------------	-----

### Cooktop Performance

Right Front Element Burner Size	8"
Left Front Element Burner Size	7"
Left Rear Element Burner Size	7"
Center Rear Element Burner Size	8"
Right Front Element Burner	2,300 / 3,600 Watts (Boost)
Left Front Element Burner	1,800 / 2,600 Watts (Boost)
Left Rear Element Burner	1,800 / 2,600 Watts (Boost)
Center Element Burner	2,300 / 3,600 Watts (Boost)

### Dimensions and Volume

Height	2 7/8"
Width	30 5/8"
Depth	21 3/8"
Cutout Height	3 5/8"
Maximum Cutout Width	29 7/8"
Minimum Cutout Width	28 1/2"
Maximum Cutout Depth	20 1/2"
Minimum Cutout Depth	19 5/8"

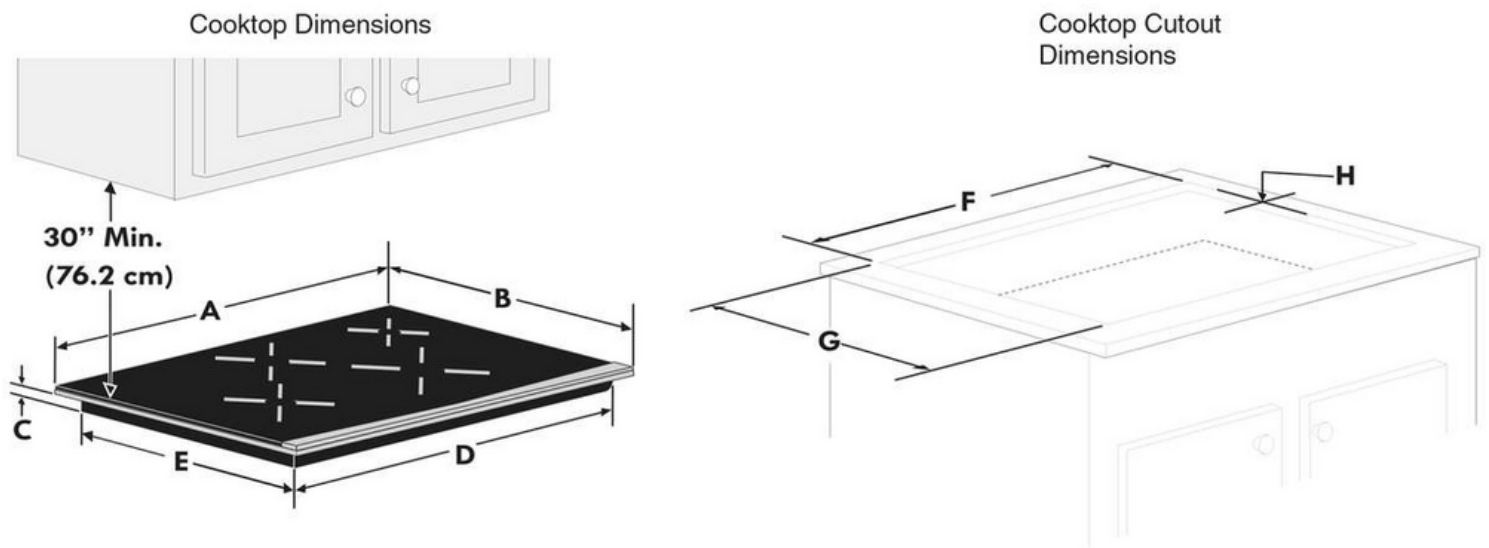
### General Specifications

Prop 65 Label	Yes
Warranty - Labor	1 Year
Warranty - Parts	1 Year
Frigidaire Fit Promise	Yes

### Safety Certifications and Approvals

UL Listed	Yes
cUL Listed	Yes
RoHS	Yes

## Installation Diagram



COOKTOP DIMENSIONS					CUTOUT DIMENSIONS				
A. WIDTH	B. DEPTH	C. HEIGHT	D. WIDTH	E. DEPTH	F. WIDTH		G. DEPTH		H. HEIGHT
					Min.	Max.	Min.	Max.	
30 <sup>5</sup> / <sub>8</sub> (77.8)	21 <sup>3</sup> / <sub>8</sub> (54.4)	2 <sup>7</sup> / <sub>8</sub> (7.3)	28 <sup>1</sup> / <sub>4</sub> (71.8)	19 <sup>3</sup> / <sub>8</sub> (49.2)	28 <sup>1</sup> / <sub>2</sub> (72.4)	29 <sup>7</sup> / <sub>8</sub> (75.9)	19 <sup>5</sup> / <sub>8</sub> (49.9)	20 <sup>1</sup> / <sub>2</sub> (52.1)	3 <sup>5</sup> / <sub>8</sub> (9.2)