

ASSEMBLY INSTRUCTION

TWIN SLEIGH BED

ITEM: 325 - 325 TW

HARDWARE LIST

N.O	Qty	Description	Picture
A	12	Allen bolt Ø1/4" x L2"3/4	
B	12	Barrel Nuts	
C	16	Wood Dowels Ø10 x 40mm	
D	8	Screws Ø4 x 30mm	
E	1	Allen key M4	
F	8	Allen bolt Ø5/16" x L1"1/4	
G	4	Metal Plate	
H	20	Screws Ø4 x 20mm	

PART LIST

(1) Left Leg HB = 1pc

(2) Right Leg HB = 1pc

(3) Top Rail = 2pc

(4) HB/Center panel = 1pc

(5) HB/Bottom rail = 1pc

(6) Left Leg FB = 1pc

(7) Right Leg FB = 1pc

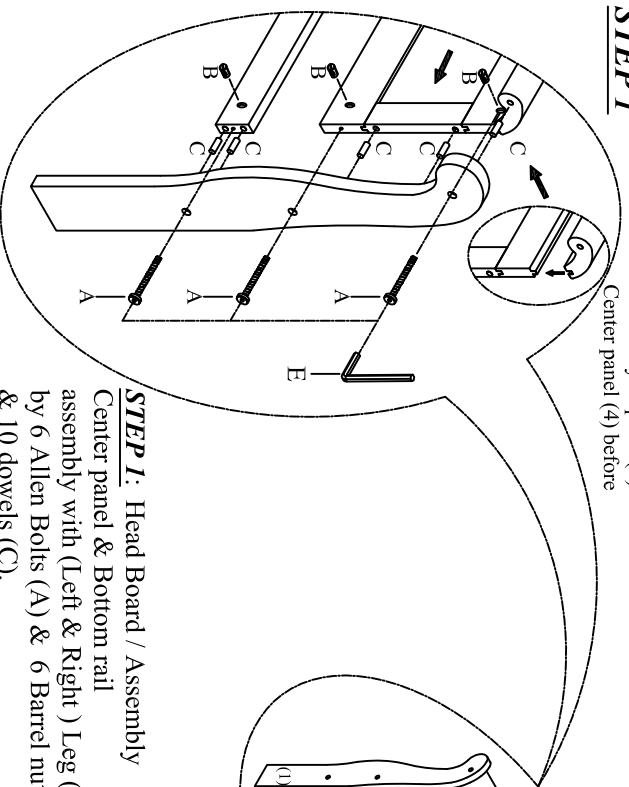
(8) FB/Center panel = 1pc

(9) Side Rail = 1Set

(10) Slat = 1Set

STEP 1

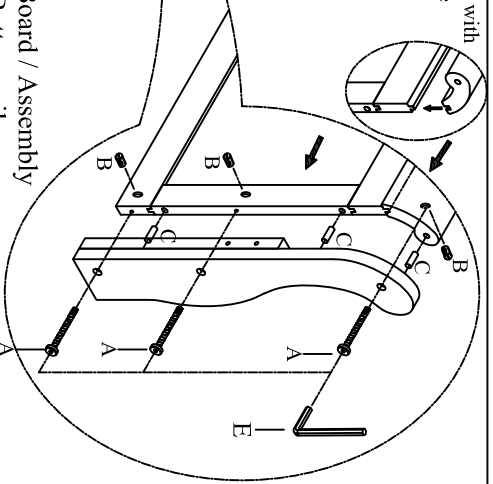
Assembly Top rail (3) with Center panel (4) before



STEP 1: Head Board / Assembly Center panel & Bottom rail assembly with (Left & Right) Leg (1 & 2) by 6 Allen Bolts (A) & 6 Barrel nut (B) & 10 dowels (C).

STEP 2

Assembly Top rail (3) with Center panel (8) before



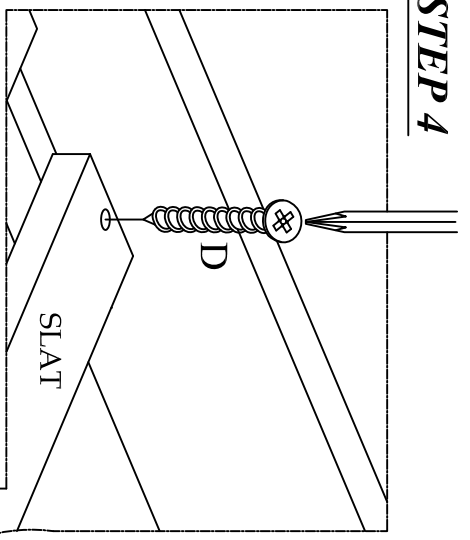
STEP 2: Foot Board / Assembly Center panel & Bottom rail assembly with (Left & Right) Leg (6 & 7) by 6 Allen Bolts (A) & 6 Barrel nuts (B) & 6 dowels (C).

ASSEMBLY INSTRUCTION

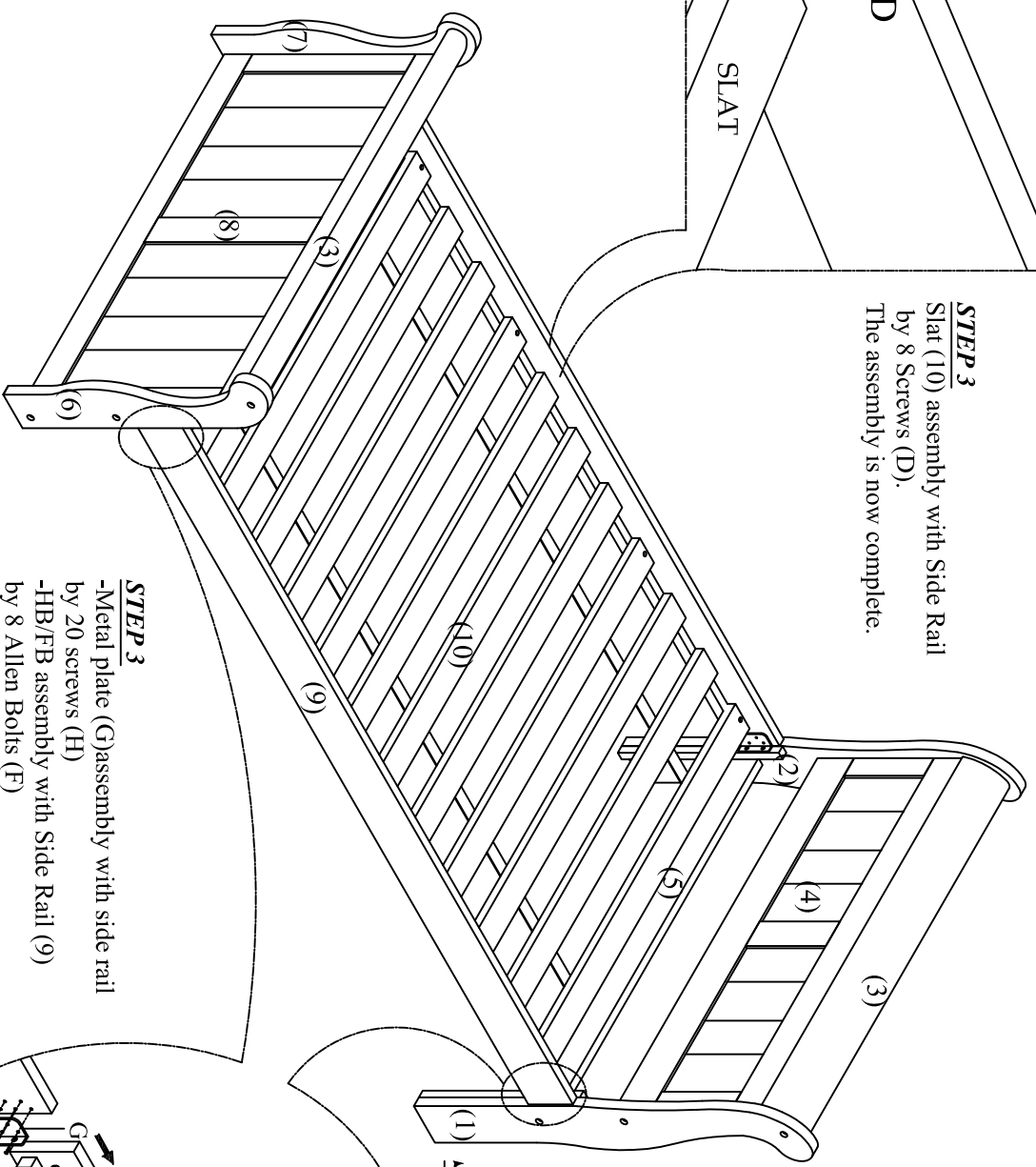
TWIN SLEIGH BED

ITEM: 325 - 325 TW

STEP 4



STEP 3
Slat (10) assembly with Side Rail
by 8 Screws (D).
The assembly is now complete.



STEP 3

STEP 3
-Metal plate (G) assembly with side rail
by 20 screws (H)
-HB/FB assembly with Side Rail (9)
by 8 Allen Bolts (F)

