
BERTAZZONI PROFESSIONAL SERIES

30" MICROWAVE OVEN

MO 30 STA NE

HIGHLIGHTS

- The intuitive LED display interface with a clear graphic turns the oven into the perfect partner to your cooking skills.
- It is available with its dedicated frame for a perfect fit with 30-inch built-in ovens.

FEATURES

Power levels	10
Oven volume	2 ft ³
Turntable	Ø 16"
Cavity finishing	white
Sensor reheat, defrost, cook	yes
Preset cooking modes function	yes
Multiple sequence cooking	4
Child lock	yes
Keep warm function	yes
Setup/help	yes

TECHNICAL SPECIFICATIONS

Voltage, frequency	120 V 60 Hz
Max Amp usage, power rating	10 A - 1100 W
Certification	UL
Warranty	2 years parts and labor

ACCESSORIES

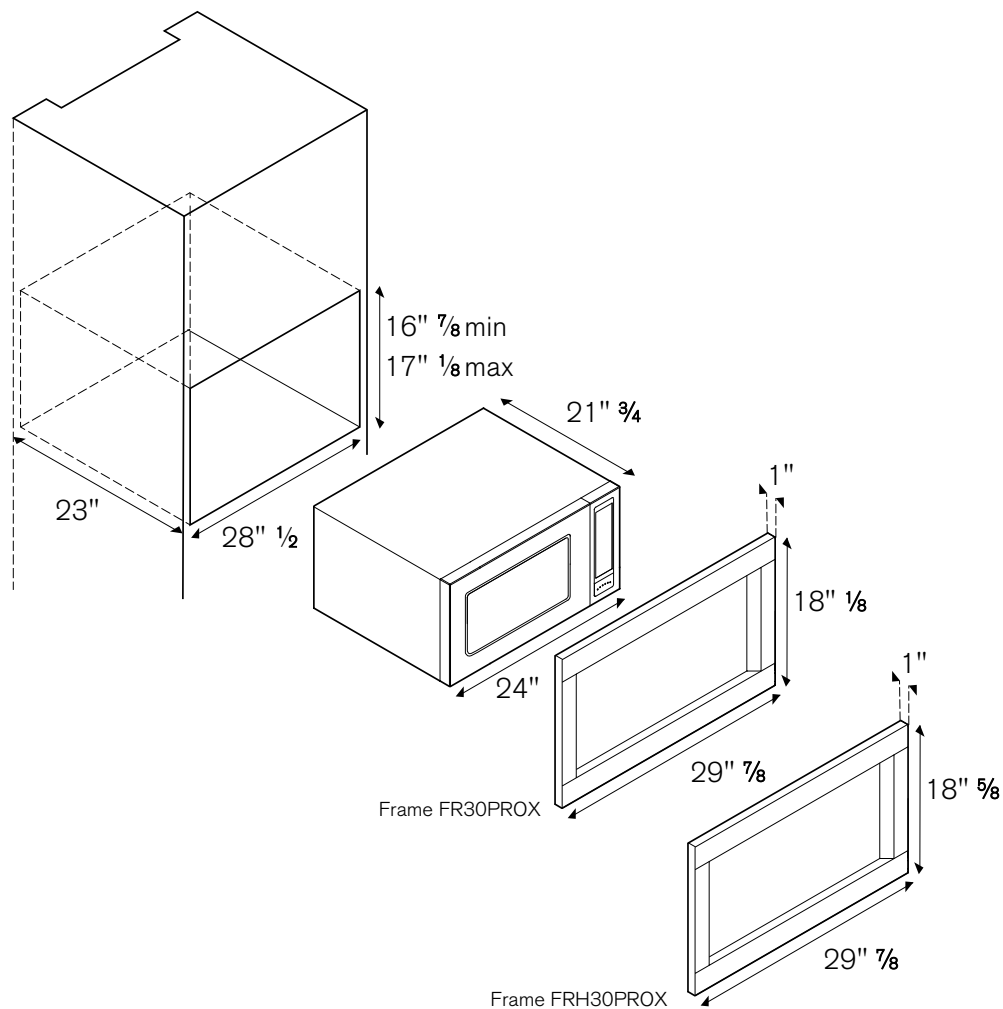
Installation with frame FR30 PRO X or FRH30 PRO X (18" ^{5/8})



TO COOK BEAUTIFULLY
WWW.BERTAZZONI.COM

INSTALLATION INSTRUCTIONS

MO 30 STA NE



The minimum gap between the kitchen cabinet upper or lower panel and the appliance is $\frac{1}{8}$. This dimension must be added to the height listed in the drawings

For any combinations of built-in models, please see related installation drawings

Bertazzoni recommends to operate the appliance after it has been installed in a cabinet. The kitchen cabinets shall be made of materials capable of withstanding temperatures at least 117°F (65°C) above room temperature in order to avoid possible damage to the cabinets during oven usage. The appliance must be installed into cabinetry and be supported from underneath. The air intake opening at the bottom of the door must be left unobstructed. For a flush mount installation the surrounding cabinets doors should have the same thickness as the frame (1").

Disclaimer: while every effort has been made to insure the accuracy of the information contained in this brochure, Fratelli Bertazzoni reserves the right to change any part of the information at any time without notice.

Fratelli Bertazzoni, Bertazzoni and the winged wheel brand icon are registered trademarks of Bertazzoni Spa.