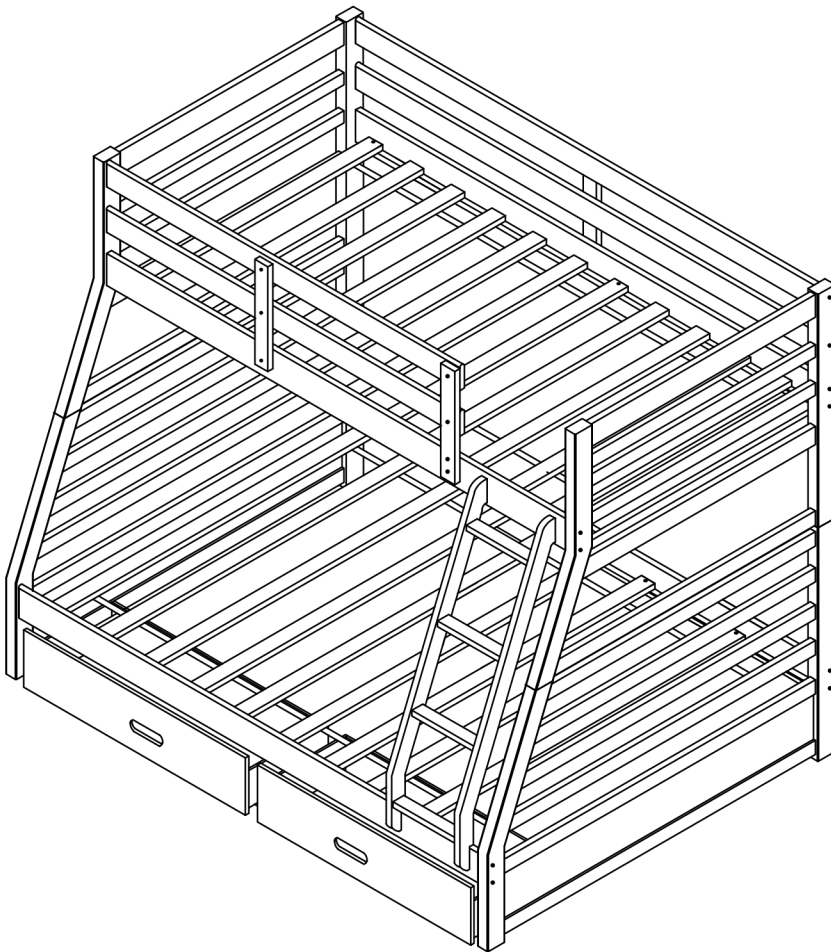


ASSEMBLY INSTRUCTIONS



TOOLS REQUIRED



Allen Wrench

(Included)



Phillips Screwdriver

(Not Included)



2 - People
Recommended

ASSEMBLY RATING



EASY ————— DIFFICULT

The Assembly Rating is a 5-point system showing the level of effort needed to assemble a specific product.



CHECK BEFORE STARTING

Are you missing anything?

Double-check all parts, hardware and accessories listed on Page 6 are accounted for.

Check out our Quick Tips!

We recommend reviewing the pre-assembly handouts. Even experts need a refresher now and then!

Should we send any replacements?

Are there any irregularities or flaws in the parts? We can send replacements!

Prep Time!

Please review the assembly instructions and all diagrams prior to assembling. Arrange parts as recommended on Page 7 and group identical hardware together to make assembling easier.

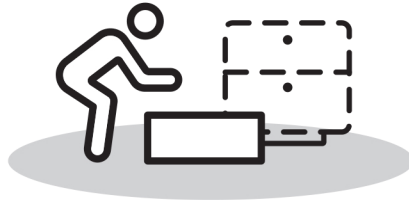
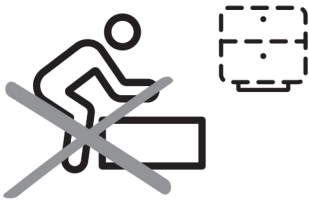
PRE ASSEMBLY INTRODUCTION

We understand building ready-to-assemble furniture can be a challenging experience for some. To help avoid confusion, we have provided some helpful tips that may speed up the process.



Teamwork

ALWAYS have at least two people to help with transporting and assembling the product to avoid potential injury and/or damage.



Suitable Location

Assembling near the area of the intended location is highly recommended.



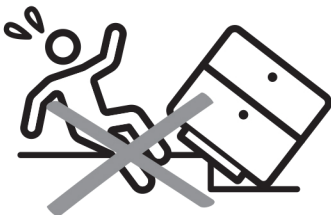
Sufficient Space

Make sure you have enough space to move around during the assembly.



Avoid Scratches

Use cardboard, blankets or a carpeted area while assembling furniture to prevent scratches.



Flat Surface

Make sure the furniture rests on a flat and level surface with each leg evenly touching the floor.

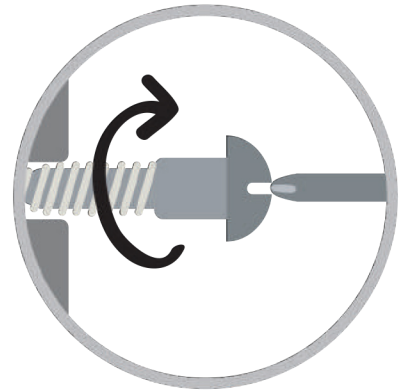
ASSEMBLY AND CARE ADVICE



FAILURE TO FOLLOW THE GUIDELINES BELOW MAY RESULT IN INJURY AND/OR PROPERTY DAMAGE.



Position each part correctly and insert screws or bolts into their respective holes.



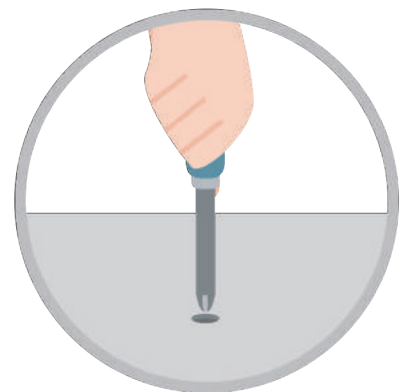
Turn clockwise to tighten and only tighten when step is completed or when instructed to do so.



Use the appropriate hand tools or power tools for assembly. Select steps, such as tightening screws and/or bolts, may require hand tools to avoid causing damage during assembly.



Save the instructions and store any supplied tools for later maintenance.



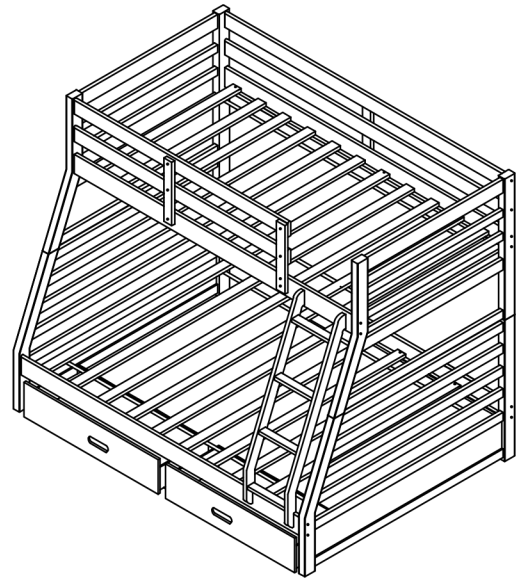
After two weeks, check and tighten any loose hardware and repeat again every six months thereafter.

IT IS THE USER'S RESPONSIBILITY TO MAINTAIN THE FURNITURE. THE HARDWARE MAY LOOSEN OVER TIME AND MAY CAUSE THE FURNITURE TO BE WOBBLY AND UNABLE TO SUPPORT ITS INTENDED WEIGHT CAPACITY. THIS MAY LEAD TO COLLAPSE AND MAY CAUSE SERIOUS INJURY.

DAYBED

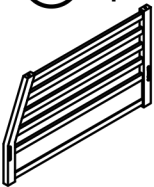


- Please keep instructions for future reference.
- Check the quantity and irregularity of parts and hardware before you start.



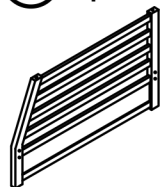
PARTS

#1 1pc



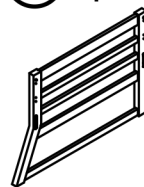
Lower End
Guardrail

#2 1pc



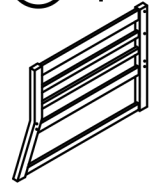
Lower End
Guardrail

#3 1pc



Upper End
Guardrail

#4 1pc



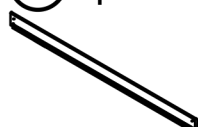
Upper End
Guardrail

#5 1pc



Lower Front
Side Rail

#6 2pcs



Upper/Lower Back
Side Rail

#7 1pc



Upper Front
Side Rail

#8 2pcs



Back Guardrail

#9 2pcs



Front Guardrail

#10 2pcs



Guardrail Support

#11 1pc



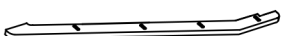
Guardrail Support

#12 1pc



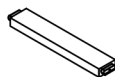
Ladder Rail (R)

#13 1pc



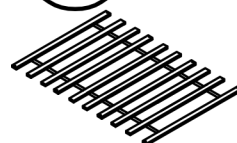
Ladder Rail (L)

#14 4pcs



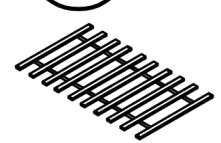
Ladder Rung

#15 1set



Full Slat Kit
(10pcs)

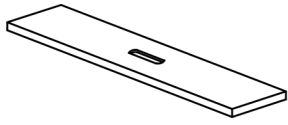
#16 1set



Twin Slat Kit
(10pcs)

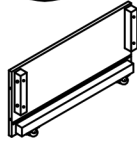
PARTS

#17 2pcs



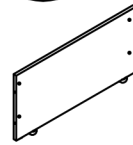
Front Panel

#18 2pcs



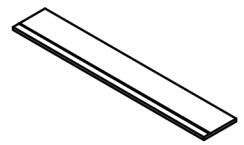
Side (Left)

#19 2pcs



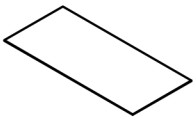
Side (Right)

#20 2pcs



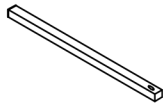
Back Panel

#21 2pcs



Bottom Panel

#22 2pcs



Center Support

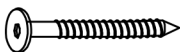
HARDWARE

#A 16pcs



Bolt
Ø1/4" x 3-9/16"

#B 6pcs



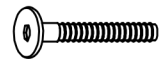
Screw
Ø1/4" x 3"

#C 16pcs



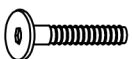
Barrel Nut
Ø1/4" x 1/2"

#D 4pcs



Bolt
Ø1/4" x 1-3/8"

#E 4pcs



Bolt
Ø1/4" x 1-3/16"

#F 22pcs



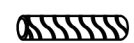
Screw
#4x30mm

#G 20pcs



Screw
#4x25mm

#H 8pcs



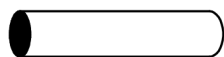
Wood Dowel
φ6x30mm

#I 6pcs



Wood Dowel
φ10x40mm

#J 4pcs



Metal Dowel
φ9x90mm

#K 1pc



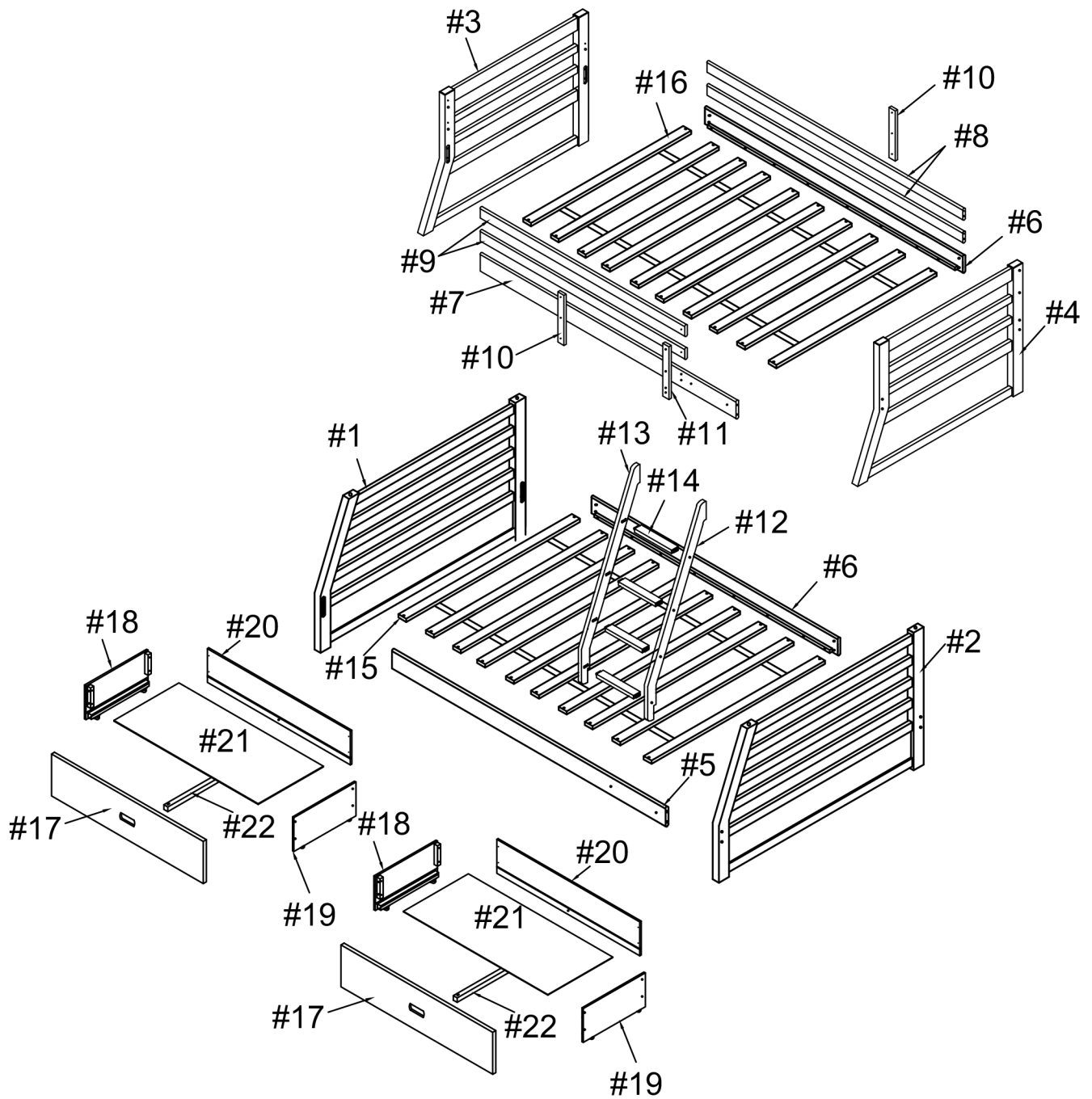
Allen Wrench
4mm








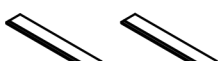

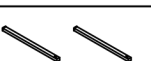
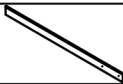









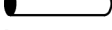









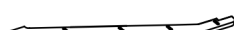

#L 8pcs





Screw
Ø1/4" x 2"

Exploded View



Carton	Disignation	Part		Hardware
	Lower End Guardrail (L)	#1		
	Lower End Guardrail (R)	#2		
	Upper End Guardrail (L)	#3		
	Upper End Guardrail (R)	#4		
	Front Panel	#17		
	Side Left	#18		
	Side Right	#19		
	Back Panel	#20		
	Bottom Panel	#21		
	Center Support	#22		
	Lower Front Side Rail	#5		 #A x 16pcs  #B x 6pcs  #C x 16pcs  #D x 4pcs  #E x 4pcs  #F x 22pcs  #G x 20pcs  #H x 8pcs  #I x 6pcs  #J x 4pcs  #K x 1pc  #L x 8pcs
	Upper/Lower Back Side Rail	#6		
	Upper Front Side Rail	#7		
	Back Guardrail	#8		
	Front Guardrail	#9		
	Guardrail Support	#10		
	Guardrail Support	#11		
	Ladder Rail (R)	#12		
	Ladder Rail (L)	#13		
	Ladder Rung	#14		

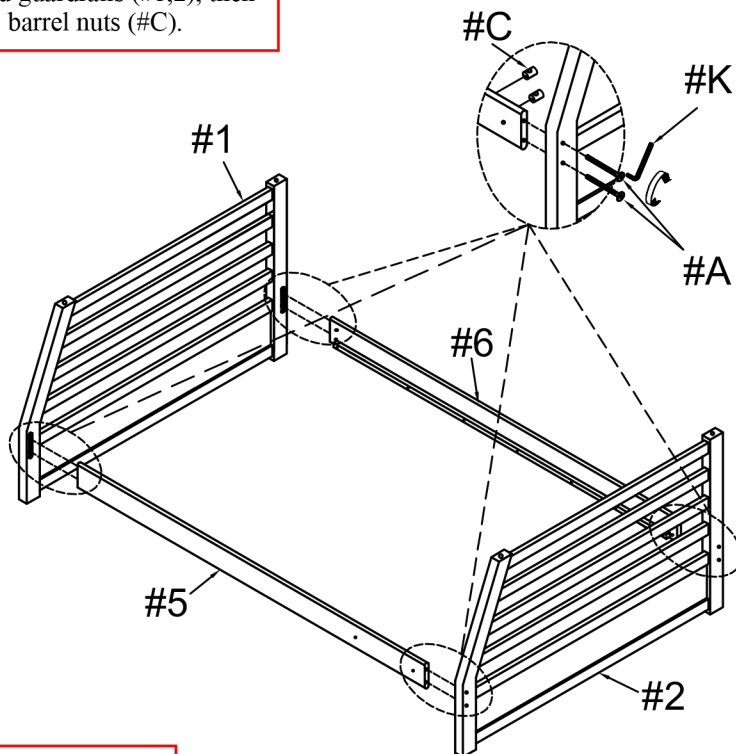
	Full Slat Kit	#15		
	Twin Slat Kit	#16		

ASSEMBLY INSTRUCTIONS

Align side rails (#5,6) to the end guardrails (#1,2), then secure by using bolts (#A) onto barrel nuts (#C).

1

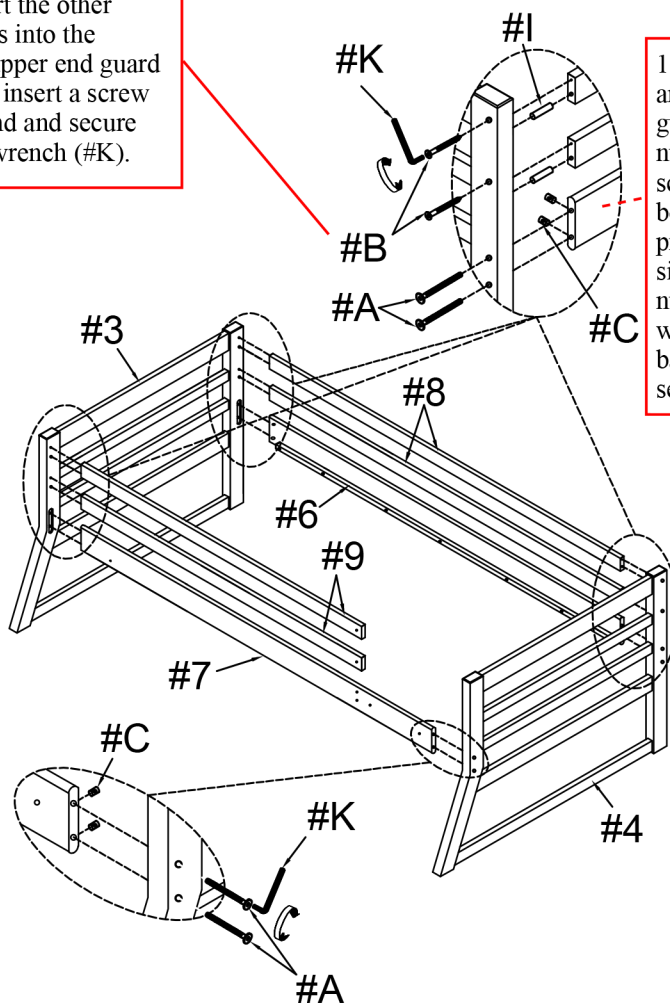
- Part #1 x 1pc
- Part #2 x 1pc
- Part #5 x 1pc
- Part #6 x 1pc
- Hardware #A x 8pcs
- Hardware #C x 8pcs



2. Insert a wood dowel (#I) into each end of the guard rails (#9/8). Insert the other end of the dowels into the holes along the upper end guard rails (#3/4), then insert a screw (#B) into each end and secure using the Allen wrench (#K).

2

- Part #3 x 1pc
- Part #4 x 1pc
- Part #6 x 1pc
- Part #7 x 1pc
- Part #8 x 2pcs
- Part #9 x 2pcs
- Hardware #A x 8pcs
- Hardware #B x 6pcs
- Hardware #C x 8pcs
- Hardware #I x 6pcs



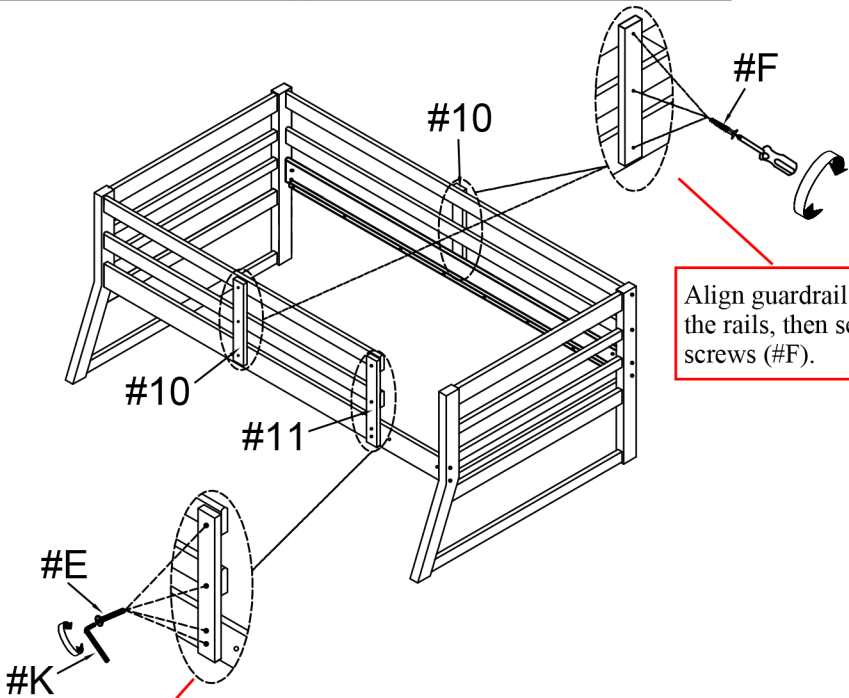
1. Align the ends of the rail (#6) and rail (#7) to the upper end guardrails (#3,4). Insert the barrel nuts (#C) into the rails, use a screwdriver to align the hole for the bolt. Insert the bolts (#A) into the pre-drilled holes along the outer sides of (#3,4) and into the barrel nut (#C). Secure using the Allen wrench (#K). Make sure to hold the barrel nut with a screwdriver while securing the bolt.

Do not fully tighten bolts/screws until they are all installed.

ASSEMBLY INSTRUCTIONS

3

- Part #10 x 2pcs
- Part #11 x 1pc
- Hardware #E x 4pcs
- Hardware #F x 6pcs

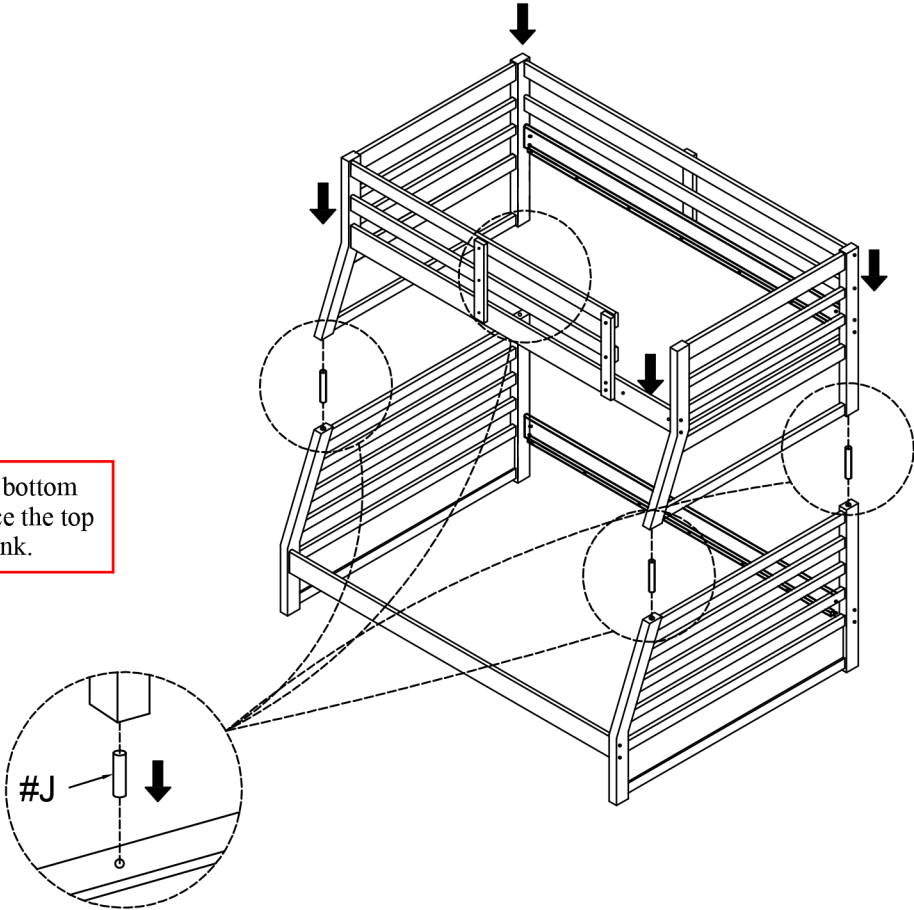


Align guardrail supports (#10) to the rails, then secure by using screws (#F).

Align guardrail support (#11) to the rails, then secure by using bolts (#E).

4

- Hardware #J x 4pcs

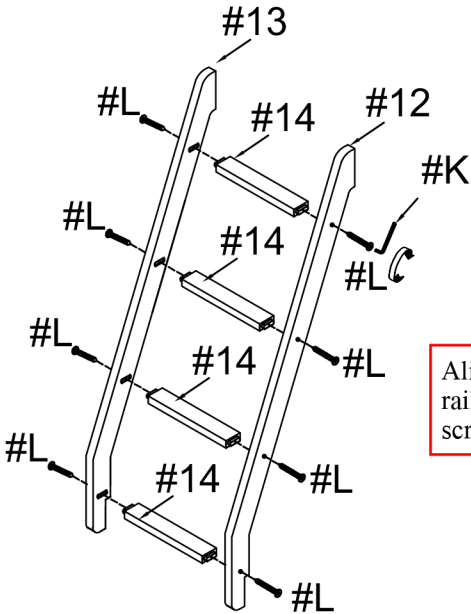


Insert dowels (#J) to the bottom bunk, then carefully place the top bunk onto the bottom bunk.

ASSEMBLY INSTRUCTIONS

5

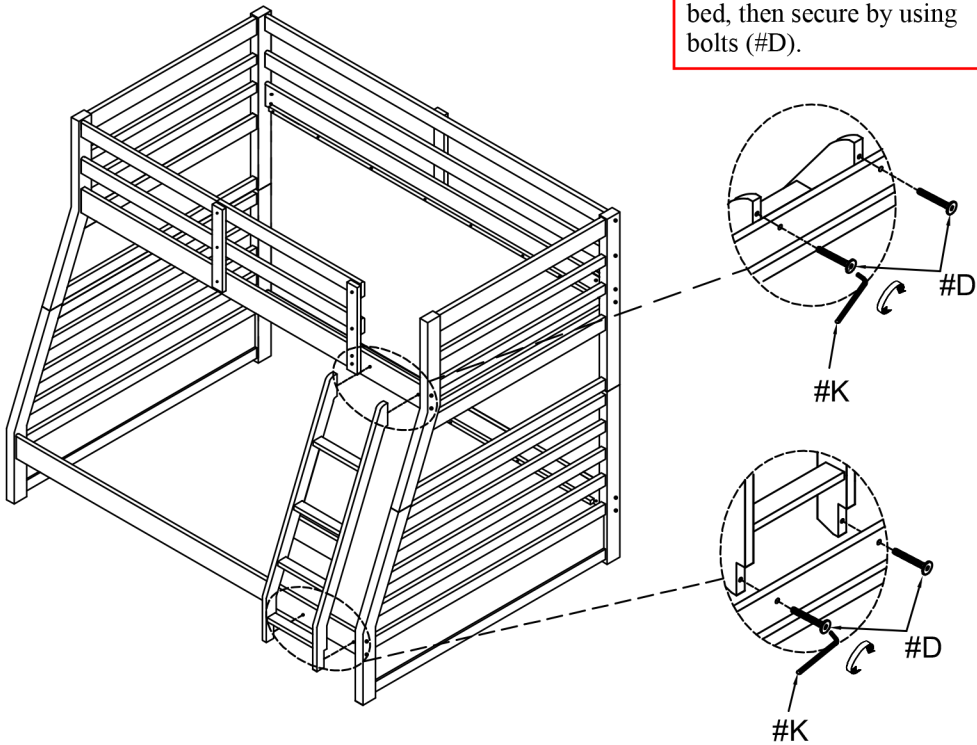
- Part #12 x 1pc
- Part #13 x 1pc
- Part #14 x 4pcs
- Hardware #L x 8pcs



Align ladder rungs (#14) to the ladder rails (#12,13), then secure by using screws (#L).

6

- Hardware #D x 4pcs



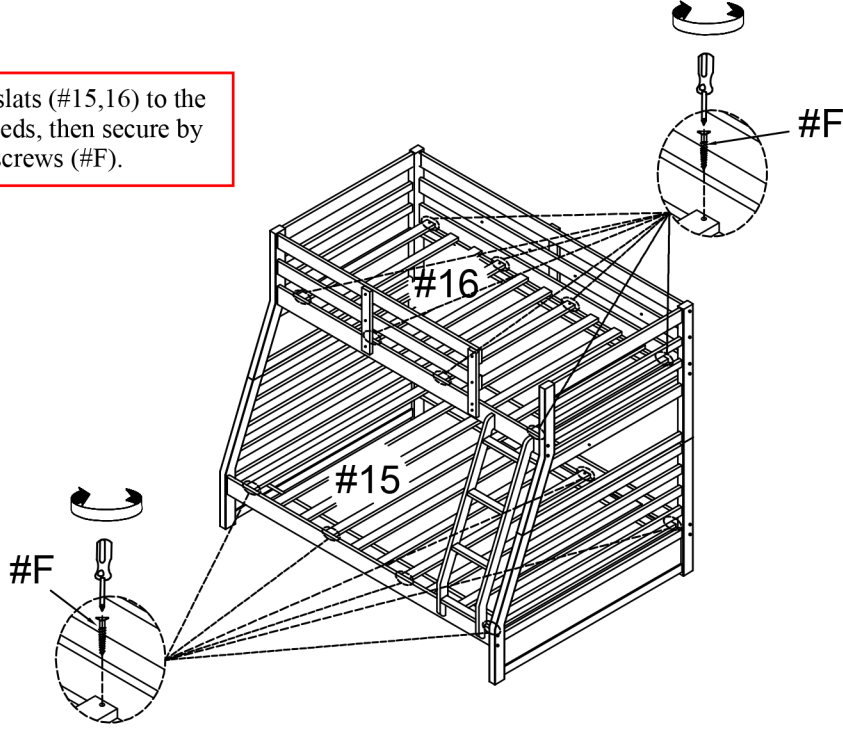
Align ladder to the bunk bed, then secure by using bolts (#D).

ASSEMBLY INSTRUCTIONS

7

Align slats (#15,16) to the bunk beds, then secure by using screws (#F).

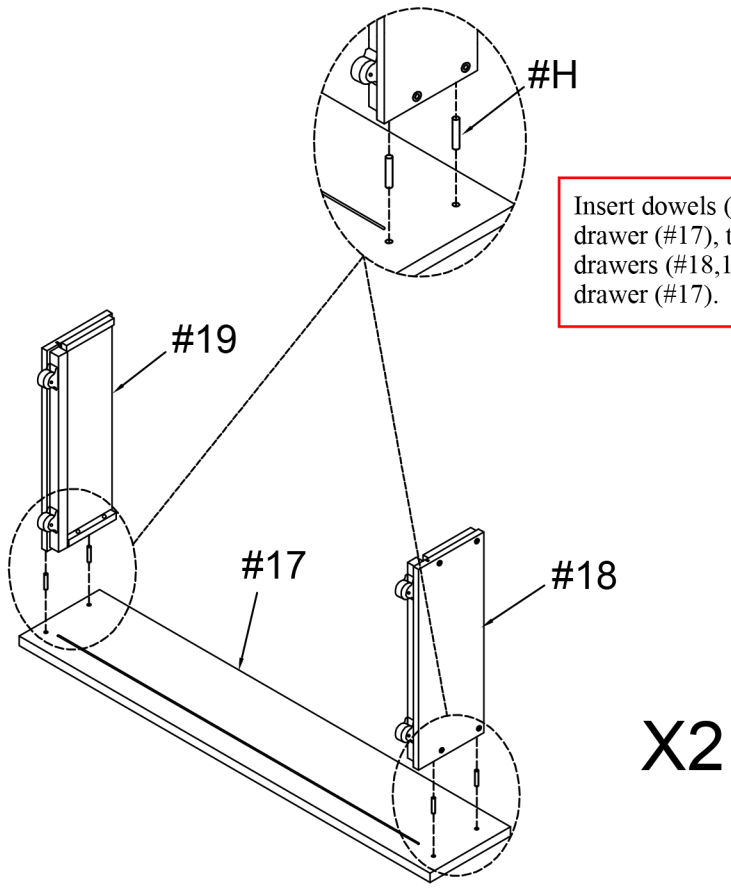
- Part #15 x 1set
- Part #16 x 1set
- Hardware #F x 16pcs



8

- Part #17 x 1pc
- Part #18 x 1pc
- Part #19 x 1pc
- Hardware #H x 4pcs

Insert dowels (#H) onto front drawer (#17), then attach side drawers (#18,19) to the front drawer (#17).

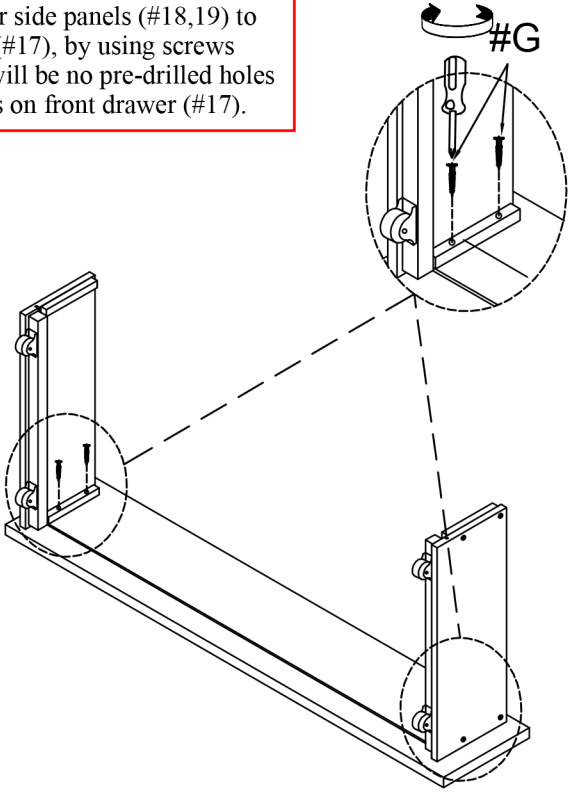


ASSEMBLY INSTRUCTIONS

9

Secure drawer side panels (#18,19) to drawer front (#17), by using screws (#G). There will be no pre-drilled holes for the screws on front drawer (#17).

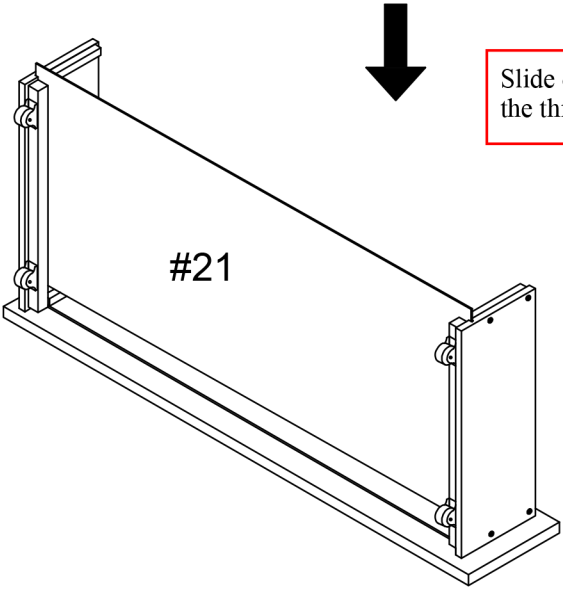
Hardware #G x 4pcs



X2

10

Part #21 x 1pc



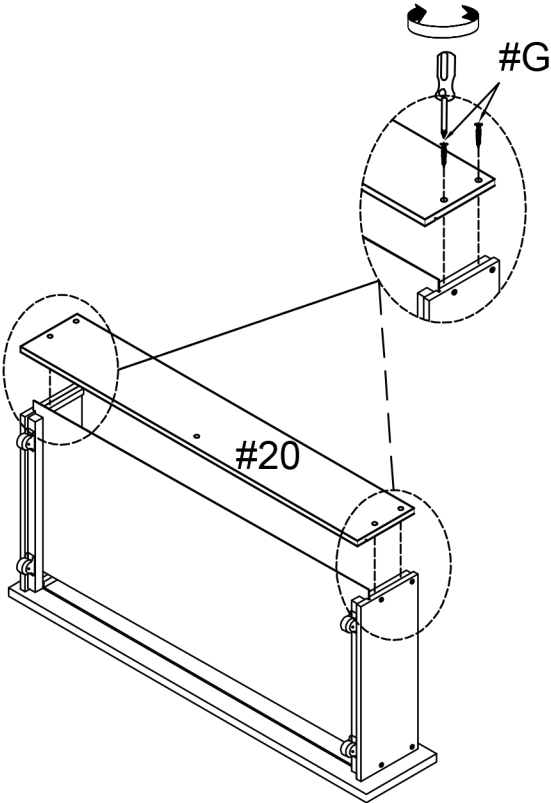
Slide drawer bottom panel (#21) through the thin lined gaps of the drawer panels.

X2

ASSEMBLY INSTRUCTIONS

11

Part #20 x 1pc
Hardware #G x 4pcs

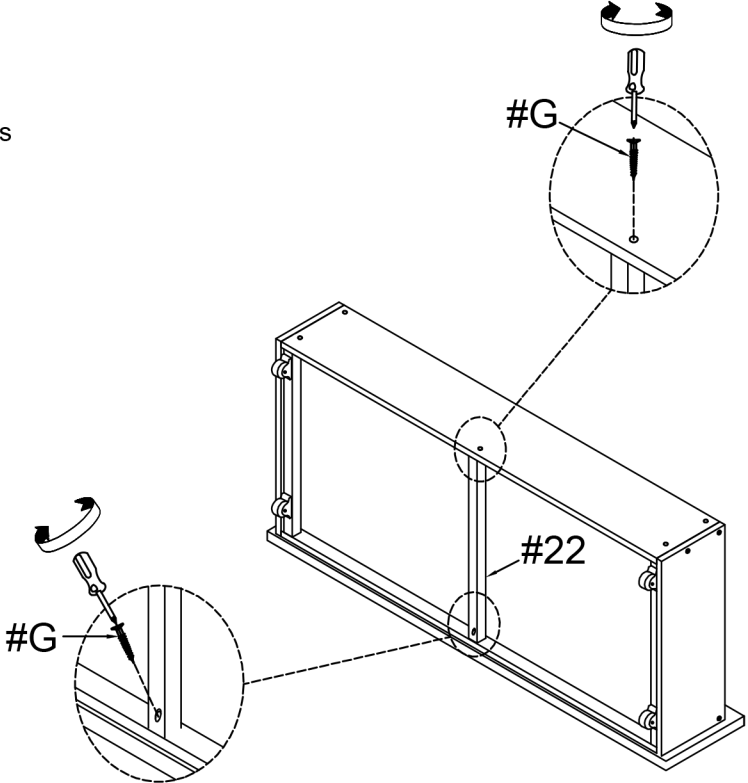


Align back panel (#20) to the drawer side panels, then secure by using screws (#G).

X2

12

Part #22 x 1pc
Hardware #G x 2pcs

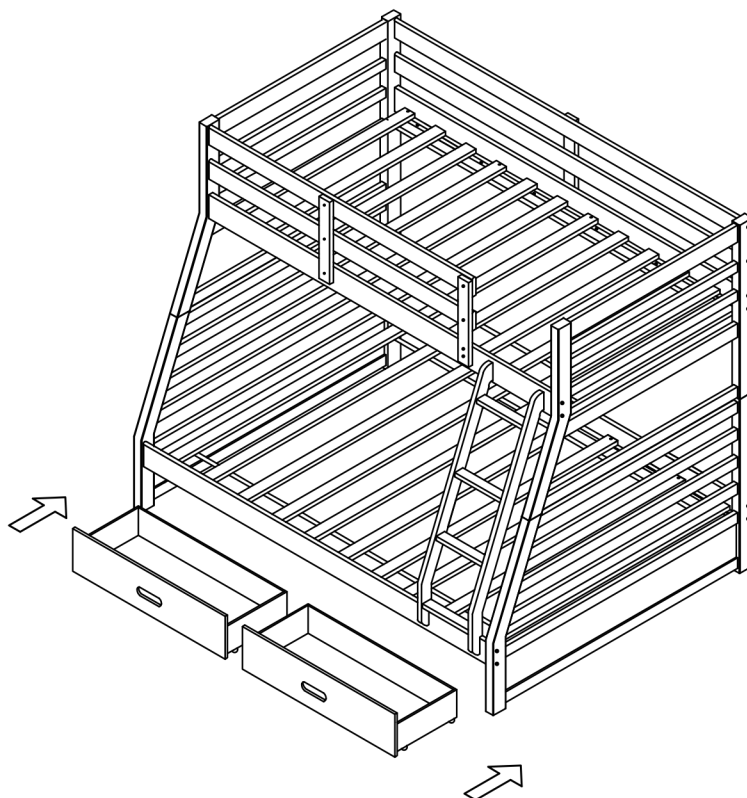


Align center support (#22) to the bottom of the drawer, then secure by using screws (#G).

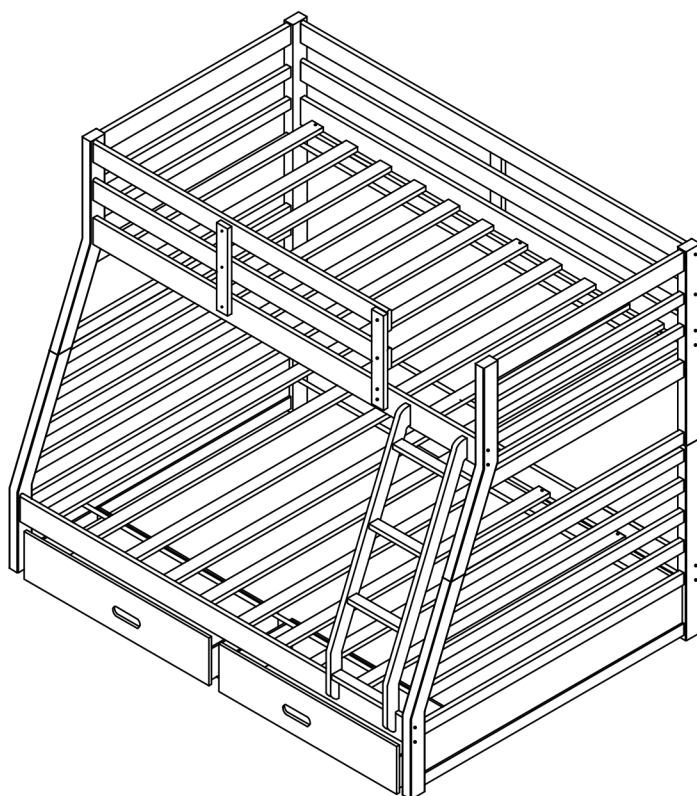
X2

ASSEMBLY INSTRUCTIONS

13



14



ASSEMBLY COMPLETED



Please ensure the furniture rests on an even and flat surface. If the product wobbles or feels loose, double-check all bolts and/or screws are properly tightened and secured.



Keep this handy!

Please retain this instruction manual and any order-related information for future reference.



Lift, don't drag!

To avoid damage to product please always LIFT the product when transporting or adjusting the placement.

Safety Warnings for Bunk Beds

1. Read and follow the information on the WARNINGS shown on the end structure of the upper bunk and on the carton.
2. Do not remove warning label from the bed.
3. Keep these instructions for future reference.
4. **IMPORTANT: Must use Bunkie mattress or Bunkie board.** The proper sizes for the **UPPER/LOWER TWIN-SIZE** Bunkie mattress or Bunkie board should be 74" long and 37½" - 38½" wide with no more than 6" thickness and for the **UPPER/LOWER FULL-SIZE** should be 74" long and 53" - 54" wide with no more than 6" thickness.
5. Surface of mattress must be at least 5 inches (127 mm) **BELOW** the upper edge of guardrails.
6. The **MAXIMUM** weight capacity for the upper bunk is not to exceed 175 lbs.
7. Do not allow children under 6 years of age to use the upper bunk.
8. Periodically check and ensure that the guardrails, ladder, handle and other components are in their proper position, free from damage, and that all connectors are tightened and secured.
9. **DO NOT** allow horseplay, rough playing or jumping on the beds and do not allow playing or hiding under the beds.
10. Always use the ladder for entering or leaving the upper bunk.
11. Do not use substitute parts. Contact the manufacturer or dealer for replacement parts.
12. Use of a nightlight may provide added safety precaution for a person using the upper bunk.
13. Always use the guardrails on both sides of the upper bunk.
14. If the bunk bed will be placed next to a wall, the guardrail that runs the full length of the bed should be placed against the wall to prevent entrapment between the bed and the wall.
15. The use of water or sleep flotation mattresses is prohibited.
16. No more than one person is allowed on the upper bunk at all times.



WARNING: STRANGULATION HAZARD

Never attach or hang objects to any part of the bunk bed that are not designed for use with the bed. Objects such as hanger, hook, belt, bag, rope, string, etc. should not be used on or around the bunk bed.