

ASSEMBLY INSTRUCTIONS COASTER FINE FURNITURE



Fine Furniture for every stage of life

803378
BARSTOOL

REIVSION:06/16/2020
REIVSION:08/04/2022

COASTERFURNITURE.COM

ITEM :803378
ASSEMBLY INSTRUCTIONS



ASSEMBLY TIPS:

1. Remove hardware from box and sort by size.
2. Please check to see that all hardware and parts are present prior to start of assembly.
3. Please follow attached instructions in the same sequence as numbered to assure fast & easy assembly.




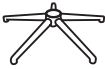




Warning!

1. Don't attempt to repair or modify parts that are broken or defective. Please contact the store immediately.
2. This product is for home use only and not intended for commercial establishments.

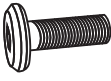



ASSEMBLY TIME	5 MINUTES
----------------------	------------------

PARTS IDENTIFICATION

	PART NAME	FIGURE	QTY
A	SEAT		1 PC
B	BACK		1 PC
C	GAS CYLINDER		1 PC
D	DECORATION COVER		1 PC
E	CASTER		1 PC
F	ADJUSTING PLATE		5 PCS

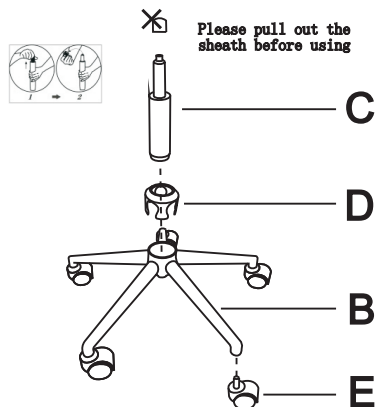
HARDWARE IDENTIFICATION

	HARDWARE NAME	FIGURE	QTY
1	BOLTS M6X16MM		4PCS
2	ALLEN WRENCH M6		1PC

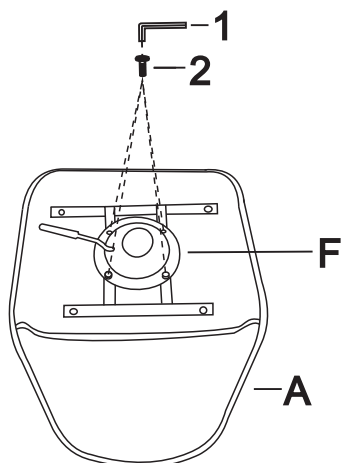
ITEM :803378
ASSEMBLY INSTRUCTIONS



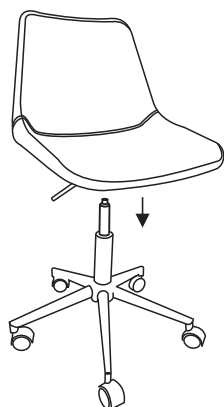
STEP1



STEP2



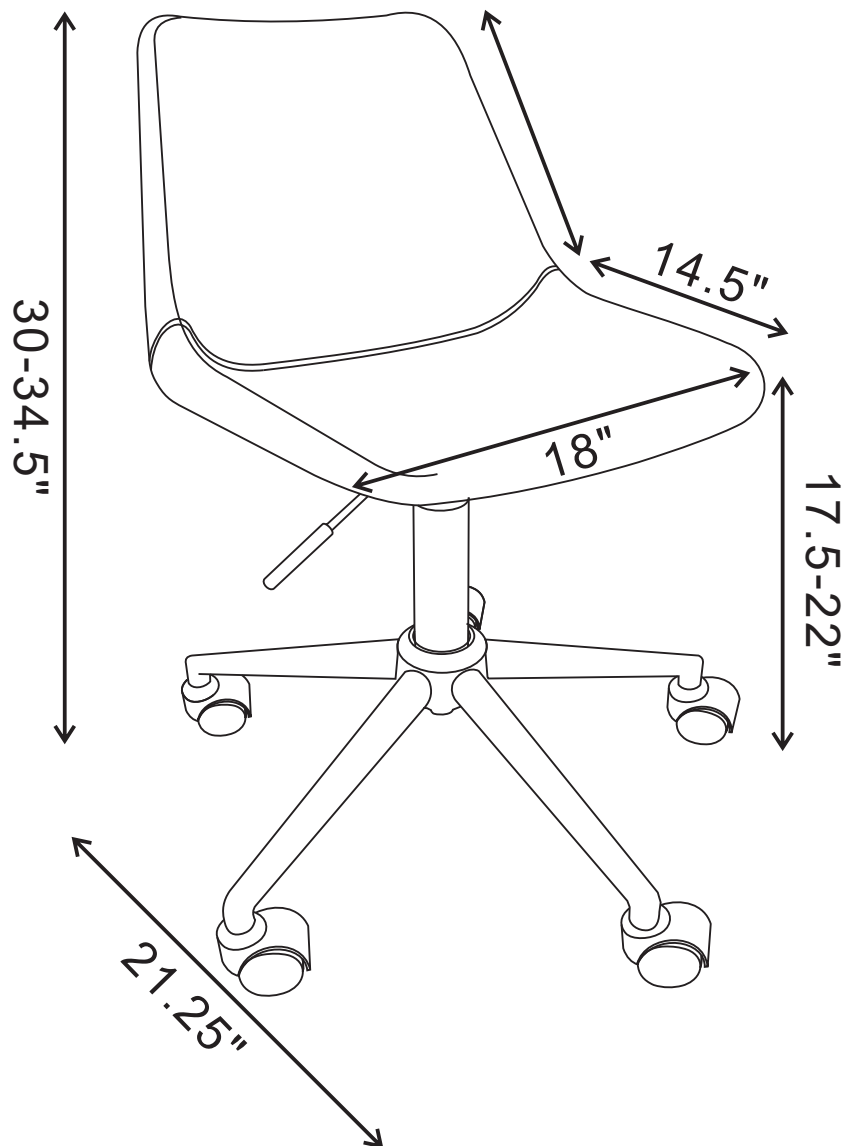
STEP3



STEP 4



ITEM :803378
ASSEMBLY INSTRUCTIONS



Note:Dimension tolerance±5%

COASTERFURNITURE.COM