

Café™ 30" Slide-In Front Control Gas Convection Range

CGS700P3MD1

CAFÉ

DISTINCT BY DESIGN™



FEATURES & BENEFITS

Entertaining for large groups is easy with the industry's first **six burner, edge-to-edge cooktop** that can accommodate cookware of all sizes and a **cast-iron integrated griddle** that provides enough room to perfectly flip crab cakes, arepas and other crowd favorites.

Create an unforgettable dinner, using a **21K triple ring burner** to do everything from searing scallops to simmering a lemon caper white wine sauce and a **15K power boil burner** to boil water quickly for al dente angel hair pasta.

Achieve perfectly even desserts with accurate heat circulation thanks to **True European Convection with Precise Air**.

Get roasts and meats just right with a **temperature probe** that lets you monitor progress without opening the oven door.

Control your oven with your smart device or simply your voice using **Wifi Connect**.

Every detail of your kitchen is designed to delight, thanks to a sleek **LED control panel** that visually disappears when not in use and wakes up when prompted.

Easily remove everything from heavy roasts to delicate desserts with **self-clean racks** that stay in the oven during the self-clean cycle.

Create a chef-like experience with **Chef Connect**, which can synchronize your appliance clocks and surface lights and vent when a range burner is in use, and even your microwave and range clocks.

APPEARANCE

Color Appearance	Matte Black
Cooktop Burner Grate Color	Matte Black
Oven Door Features	Big Clear View Oven Window; Matte Black Frameless Oven Door
Handle	Professional Style; Customizable; Consumer Removable
Handle Color	Stainless Steel
Handle Design	Café
Control Knobs	Weighted Stainless Steel Appearance

FEATURES

Configuration	Range with Storage Drawer
Cooking System	True Convection
Cooking Technology	Convection
Oven Cleaning Type	Self-Clean with Steam Clean Option
Burner - Left Front	21,000 BTU Tri-ring Burner
Burner - Left Rear	5,000 BTU Precise Simmer
Burner - Right Front	15,000 BTU
Burner - Right Rear	12,000 BTU
Burner - Center	9,500 BTU Front / 9,500 BTU Rear
Cooktop Burner Type	Sealed
Cooktop Surface	Deep Recessed; Porcelain-Enamel; Gray
Dishwasher Safe Knobs	Yes
Control Location	Front controls
Control Type	Digital Temperature Display; Glass Touch; Oven Control - Digital
Valves (Degree of Turn)	270
Oven Control Features	Audible Preheat Signal; Automatic Oven Timer (Time Bake); Auto Oven Shut-Off; Auto Self Clean; Certified Sabbath Mode; Chef Connect; Control Lock Capability; Delay Bake Option (Time Bake); Delay Clean Option; Digipad Numeric Entry; Electronic Clock and Timer; Front Controls; In-Oven Broiling; Temperature Probe; Self-Clean Cool Down Time Display
Oven Cooking Modes	Convection Bake; Convection Roast
Cooktop Burner Grate Features	Heavy-Cast Edge-to-Edge Grates
Cooktop Burner Grate Material	Cast-Iron
Cleaning Time	Variable with Delay Clean Option
Self-Clean Oven Door Lock	Automatic
Oven Rack Features	3 Self-Clean Oven Racks; 6 Rack Positions
Fuel Type	Natural Gas (factory set)
Ignition System	Electronic
Leveling System	4 Leveling Legs
Style	Commercial
Oven Interior	1 Oven Interior Light; Black
Connected Capabilities	Amazon Alexa; The Google Assistant; IFTTT; Nest; Drop; Innit; DiGiorno
WiFi Connect	Built-In

CAPACITY

Total Capacity (cubic feet)	5.6 cu ft
-----------------------------	-----------

ACCESSORIES

Grates	Included Center Grate
Grill	Optional; Integrated Cast Iron; JXCGRILL1
LP Conversion Kit	Included
Trim Kit	Optional; JXFILLR1DD
Griddle	Included; Integrated Cast Iron

WEIGHTS & DIMENSIONS

Depth with Door Open	47-1/2 in
Approximate Shipping Weight	244 lb
Net Weight	224 lb
Height to Top of Rear Vent Trim	37-3/8 in
Overall Height	37-3/8 in
Height to Cooking Surface (in.)	36-1/4 +/- 1/4
Overall Width	29-7/8 in
Cabinet Width	30 in
Overall Depth	29-1/2 in
Depth Without Handle	26-7/8 in
Oven Interior Dimensions (W x H x D) (in.)	24 x 19-1/2 x 20-5/8

Café™ 30" Slide-In Front Control Gas Convection Range

CAFÉ

DISTINCT BY DESIGN™

CGS700P3MD1

POWER / RATINGS

Convection Wattage	1200W
Top Burner BTU Rating - LP (000's BTU's)	(1) 18.0 Tri-Ring; (1) 15.0; (1) 12.0; (2) 9.5; (1) 5.0
Top Burner BTU Rating - Nat. Gas (000's BTU's)	(1) 21.0 Tri-Ring; (1) 15.0; (1) 12.0; (2) 9.5; (1) 5.0
Volts/Hertz/Amps	120v; 60Hz; 15A
Bake/Broiler BTU Rating - LP (000's BTU's)	16.0 Bake / 13.5 Broiler
Bake/Broiler BTU Rating - Nat. Gas (000's BTU's)	16.0 Bake / 16.5 Broiler

WARRANTY

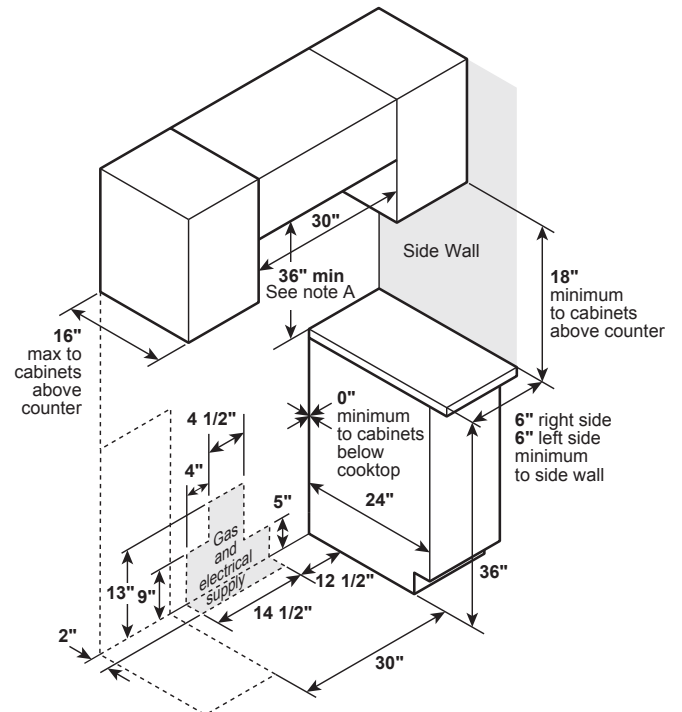
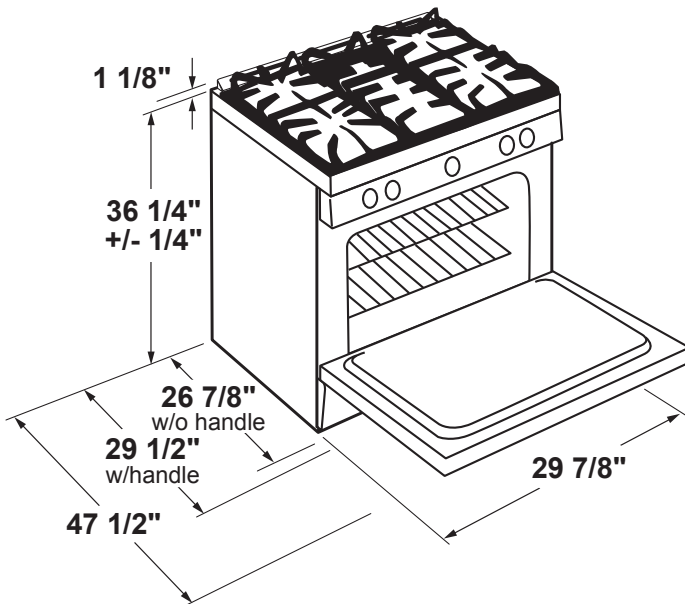
Parts warranty	Limited 1-year entire appliance
Labor warranty	Limited 1-year entire appliance

DIMENSIONS AND INSTALLATION

Electrical Requirements: 120v; 60Hz, 15A

Installation information: Before installing, consult installation instructions packed with product for current dimensional data.

For all installations, install the required rear trim to back of range with 4 screws provided.

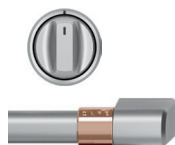


Note A: 36" Minimum to bare cabinet, see installation instructions heights less than 36"

ADDITIONAL ACCESSORIES



CXFCGHKPMBZ
Brushed Bronze
2 handles; 6 knobs



CXFCGHKPMSS
Brushed Stainless
2 handles; 6 knobs



CXFCGHKPMBT
Brushed Black
2 handles; 6 knobs



CXFCGHKPMCU
Brushed Copper
2 handles; 6 knobs