


# ASSEMBLY INSTRUCTION

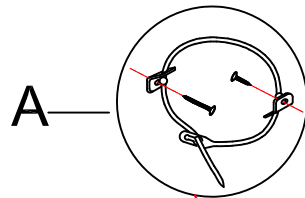
ITEM: 6123-90116-89 Two-Drawer Nightstand

Thank you for purchasing this quality product. Be sure to unpack carefully looking for small parts which may have come loose during shipment.

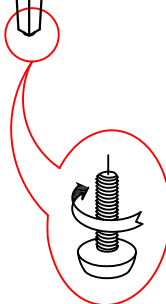
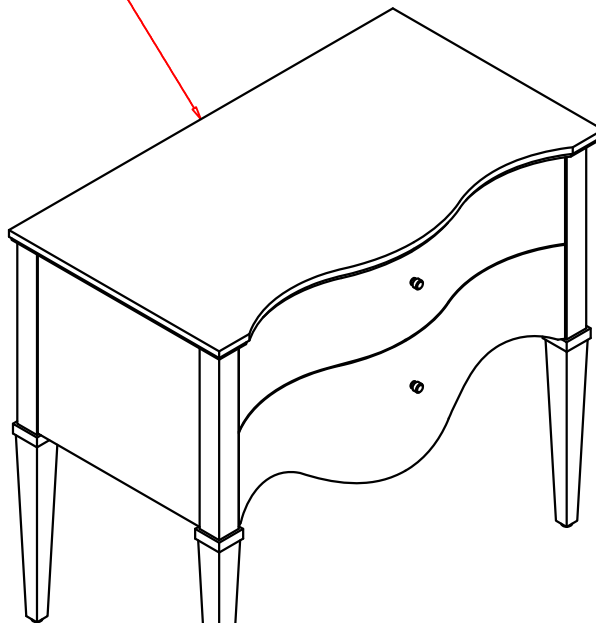
Read all instruction and study the drawing carefully before starting the assembly process.

HARDWARE PACK				
NO.	DRAWING	DESCRIPTION	SIZE	Q'TY
A		Anti - Tip Kit		1 PC

## Tipping Restraint



Anti-tip kit is included for use.  
We recommend installing for safety reason.



Adjust leveler if needed to level  
nightstand on uneven floor.