



# 25 cu. ft. Side-by-Side Refrigerator

WRS325SDH



Fingerprint-Resistant Stainless  
WRS325SDHZ

### Also available in:

- White **WRS325SDHW**
- Black **WRS325SDHB**
- Fingerprint-Resistant Black Stainless **WRS325SDHV**

### Capacity

|                       |            |
|-----------------------|------------|
| Total Capacity        | 25 cu. ft. |
| Refrigerator Capacity | 15 cu. ft. |
| Freezer Capacity      | 10 cu. ft. |

### General Features & Properties

|   |
|---|
| Deli Drawer   |
| Exterior Ice and Water Dispenser with EveryDrop® Water Filtration |
| LED Interior Lighting   |
| Tap Touch Controls  |
| Hidden Hinges   |
| Electronic Temperature Controls                                   |
| Fingerprint Resistant   |
| Factory-Installed Icemaker  |
| Adaptive Defrost  |

### Electrical Details

|       |          |
|-------|----------|
| Amps  | 15 or 20 |
| Volts | 115      |

### Certifications

|               |     |
|---------------|-----|
| ADA Compliant | Yes |
|---------------|-----|

### Technical Details

|   |                        |
|---|------------------------|
| Refrigerator Type                       | Side-by-Side           |
| Number of Doors                         | 2                      |
| Number of Interior Refrigerator Shelves | 4                      |
| Number of Refrigerator Door Bins        | 2 Fixed, 3 Adjustable  |
| Number of Interior Freezer Shelves      | 3                      |
| Number of Freezer Door Bins             | 4 Fixed                |
| Lighting Type                           | LED                    |
| Ice Maker                               | Factory Installed      |
| Ice Maker Location                      | Freezer                |
| Dispenser Type                          | Exterior Ice and Water |

### Dimensions

|                                |   |
|--------------------------------|---|
| Product Dimensions (H x W x D) | 69-5/8" x 35-7/8" x 33-5/8"                                 |
| Depth with Door Open 90°       | 49-5/16"  |
| Cutout Dimensions              | Allow extra 1/2" on sides and top<br>Allow extra 1" on rear |

### Reference Material

- [Dimension Guide](#)
- [Install Guide](#)
- [Use & Care Guide](#)
- [Energy Guide](#)
- [Warranty](#)

### Key Features & Benefits

#### Can Caddy

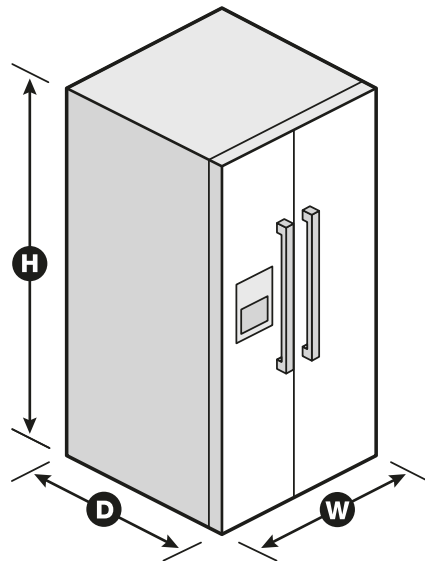
Free up shelf space and get more flexibility using this in-door can caddy that holds either cans or bottles.

#### Frameless Glass Shelves

Store more items on each shelf with wall-to-wall frameless glass shelves, which offer greater storage flexibility.

#### Adjustable Gallon Door Bins

Move these adjustable bins anywhere in the door for increased loading flexibility when and where you need it.



NOTE: Dimensions are for planning purposes only. For complete details, see Installation Instructions packed with product. Specifications subject to change without notice.

®/™ © 2020. All rights reserved. Printed in the U.S.A. D200052XXC. WRS325SDHSPECSHEETV01.