



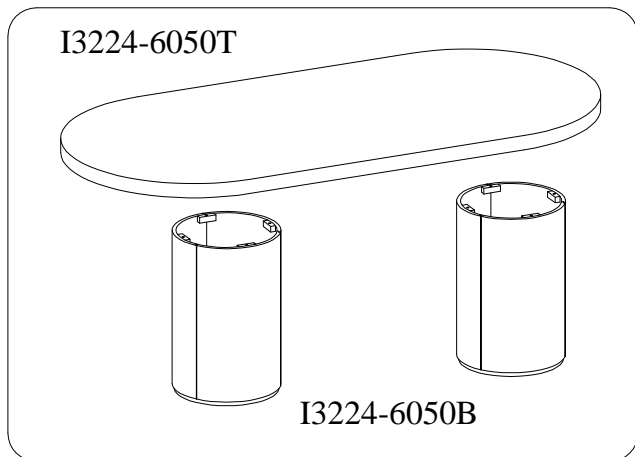
ITEM NO: I3224-6050T Pedestal Dining Table Top  
I3224-6050B Pedestal Dining Table Base

Thank you for purchasing this quality product. Be sure to check all packing material carefully for small parts that may come loose inside the carton during shipment.

**WARNING!** Before using this product, please read, understand, and follow these instructions. Failure to follow each of these assembly instructions precisely may result in damage to the product and / or injury to the consumer.



**UNIT SHOULD BE INSTALLED BY 2 OR MORE PERSONS.**



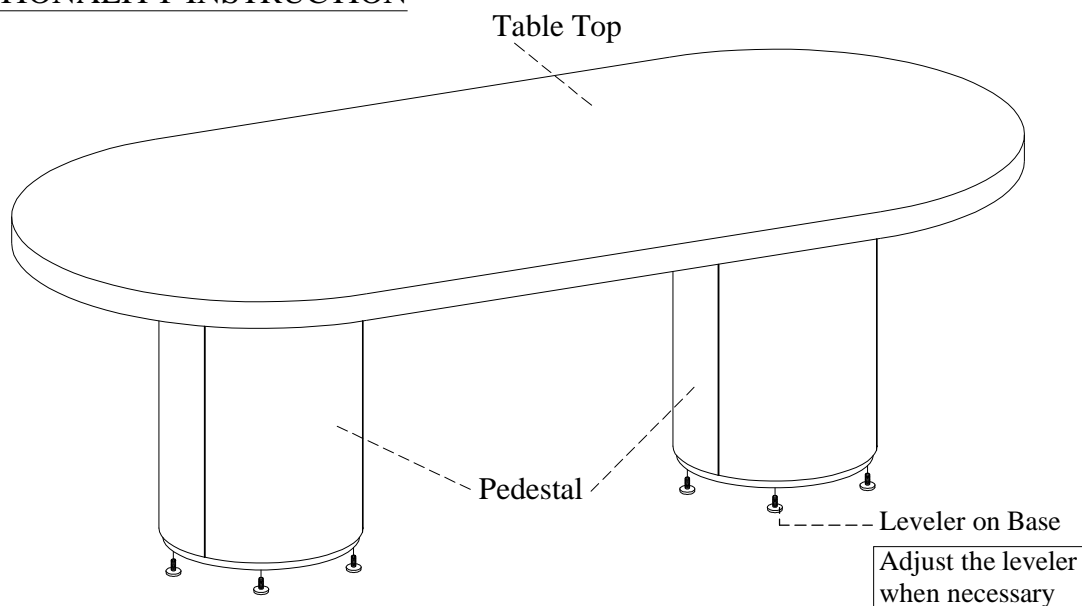
|                               |
|-------------------------------|
| TOOLS REQUIRED (NOT PROVIDED) |
| PHILLIPS SCREWDRIVER          |

| HARDWARE LIST: I3224-6050T |                      |        |          |
|----------------------------|----------------------|--------|----------|
| No.                        | Description          | Sketch | Quantity |
| A                          | Bolt Ø5/16" x 1-1/2" |        | 8 PCS    |
| B                          | Lock Washer Ø5/16"   |        | 8 PCS    |
| C                          | Flat Washer Ø5/16"   |        | 8 PCS    |
| D                          | Allen Wrench         |        | 1 PC     |

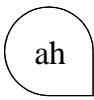
| COMPONENTS LIST: I3224-6050T |             |        |          |
|------------------------------|-------------|--------|----------|
| No.                          | Description | Sketch | Quantity |
| 1                            | Table Top   |        | 1 PC     |

| COMPONENTS LIST: I3224-6050B |             |        |          |
|------------------------------|-------------|--------|----------|
| No.                          | Description | Sketch | Quantity |
| 1                            | Pedestal    |        | 2 PCS    |

### FUNCTIONALITY INSTRUCTION



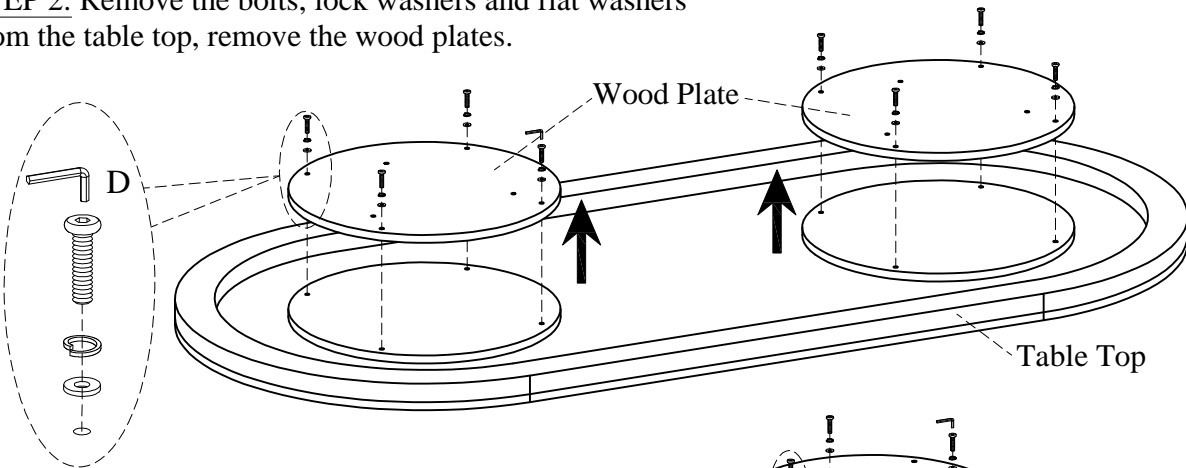
FOR INDOOR USE ONLY



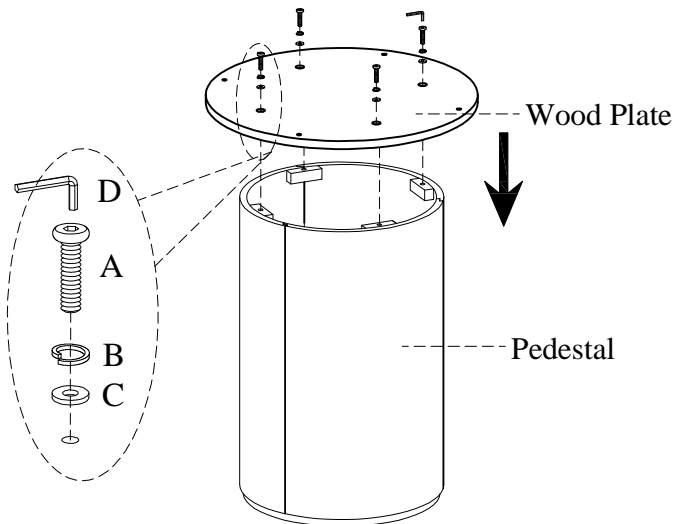
ITEM NO: I3224-6050T Pedestal Dining Table Top  
I3224-6050B Pedestal Dining Table Base

**STEP 1:** Put the table top face down on a soft surface.

**STEP 2:** Remove the bolts, lock washers and flat washers from the table top, remove the wood plates.



**STEP 3:** Attach the wood plates to the pedestals by using 8 bolts(A), lock washers(B) and flat washers(C) with the allen wrench(D). Completely tighten all the bolts.



**STEP 4:** Use the bolts, lock washers, and flat washers removed in STEP 2 to connect the pedestals to the table top. Then use the Allen wrench (D) provided to tighten all the bolts.

**STEP 5:** Turn the assembled table to the upright position.

