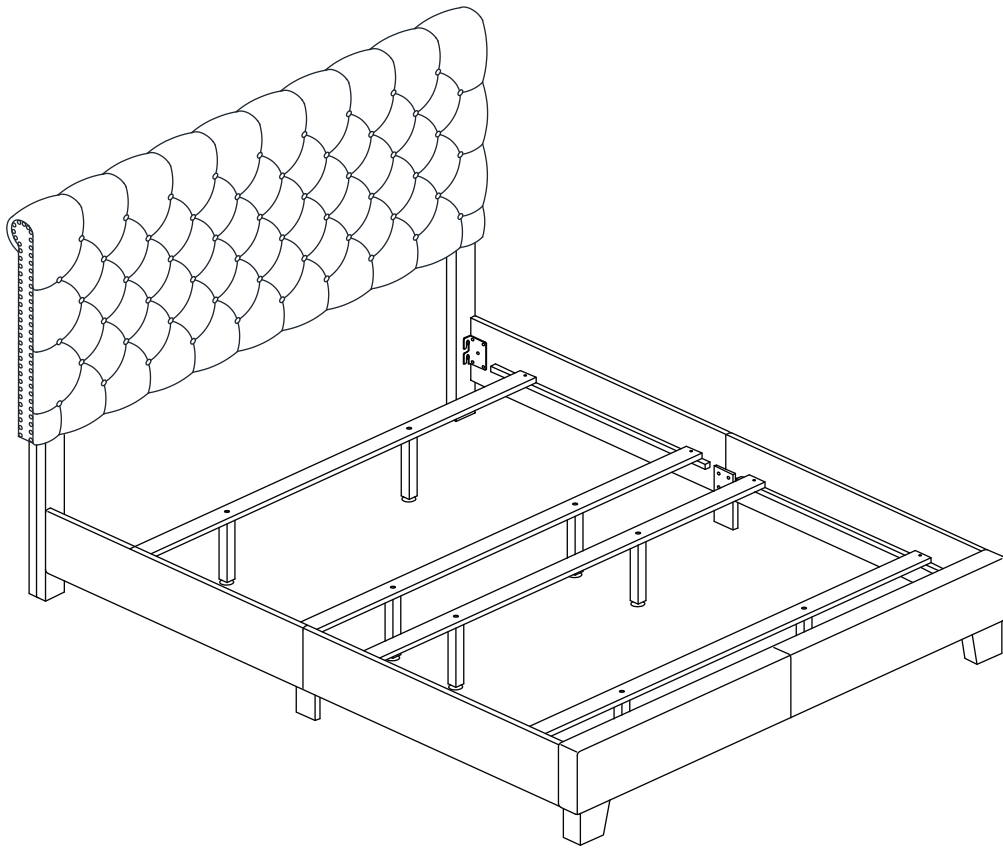


ASSEMBLY INSTRUCTIONS
COASTER FINE FURNITURE



Fine Furniture for every stage of life

310042KE
Eastern King Bed

ITEM: **310042KE**



ASSEMBLY INSTRUCTIONS

ASSEMBLY TIPS:

1. Remove hardware from box and sort by size.
2. Please check to see that all hardware and parts are present prior to start of assembly.
3. Please follow attached instructions in the same sequence as numbered to assure fast & easy assembly.



WARNING!

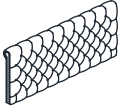
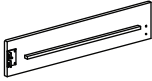


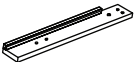

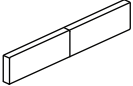

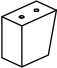

1. Don't attempt to repair or modify parts that are broken or defective. Please contact the store immediately.
2. This product is for home use only and not intended for commercial establishments.



ASSEMBLY TIME

20 MINUTES

PARTS IDENTIFICATION

| | | | | | | | |
|---|--------------------------------------|---|------|---|-------------------------------|---|------|
| A | HEADBOARD PANEL |  | 1PC | F | BED RAIL (WITH "F" LABEL) |  | 2PCS |
| B | LEFT HEADBOARD LEG (WITH "L" LABEL) |  | 1PC | G | BED RAIL (WITH "G" LABEL) |  | 2PCS |
| C | RIGHT HEADBOARD LEG (WITH "R" LABEL) |  | 1PC | H | BED RAIL SUPPORT LEG |  | 2PCS |
| D | FOOTBOARD PANEL |  | 1PC | I | BED SLAT |  | 4PCS |
| E | FOOTBOARD LEG |  | 2PCS | J | BED SLAT SUPPORT WITH LEVELER |  | 8PCS |

NOTE:

Phillips head screw driver is required in the assembly process; however, manufacturer does not provided this item.

ASSEMBLY INSTRUCTIONS

ASSEMBLY TIPS:





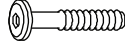
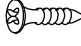




1. Remove hardware from box and sort by size.
2. Please check to see that all hardware and parts are present prior to start of assembly.
3. Please follow attached instructions in the same sequence as numbered to assure fast & easy assembly.



WARNING!

1. Don't attempt to repair or modify parts that are broken or defective. Please contact the store immediately.
2. This product is for home use only and not intended for commercial establishments.

HARDWARE IDENTIFICATION

| | | | | | | | |
|---|------------------------------------|---|-------|----|---|---|-------|
| 1 | BOLT 1 (M8 x 20mm - RBW) |  | 8PCS | 6 | LOCK WASHER (1/4" X 12 Ø - RBW) |  | 14PCS |
| 2 | BOLT 2 (M6 x 25mm - RBW) |  | 8PCS | 7 | FLAT WASHER (1/4" X 19 Ø - RBW) |  | 14PCS |
| 3 | BOLT 3 (M6 x 35mm - RBW) |  | 14PCS | 8 | FLAT HEAD SCREW (M4 x 32mm - RBW) |  | 8PCS |
| 4 | BOLT 4 (M6 x 70mm - RBW) |  | 2PCS | 9 | SMALL ALLEN WRENCH (M4 x 100mm - BLK) |  | 1PC |
| 5 | WOOD DOWEL (M8Ø x 30mm) |  | 2PCS | 10 | BIG ALLEN WRENCH (M5 x 65mm - BLK) |  | 1PC |

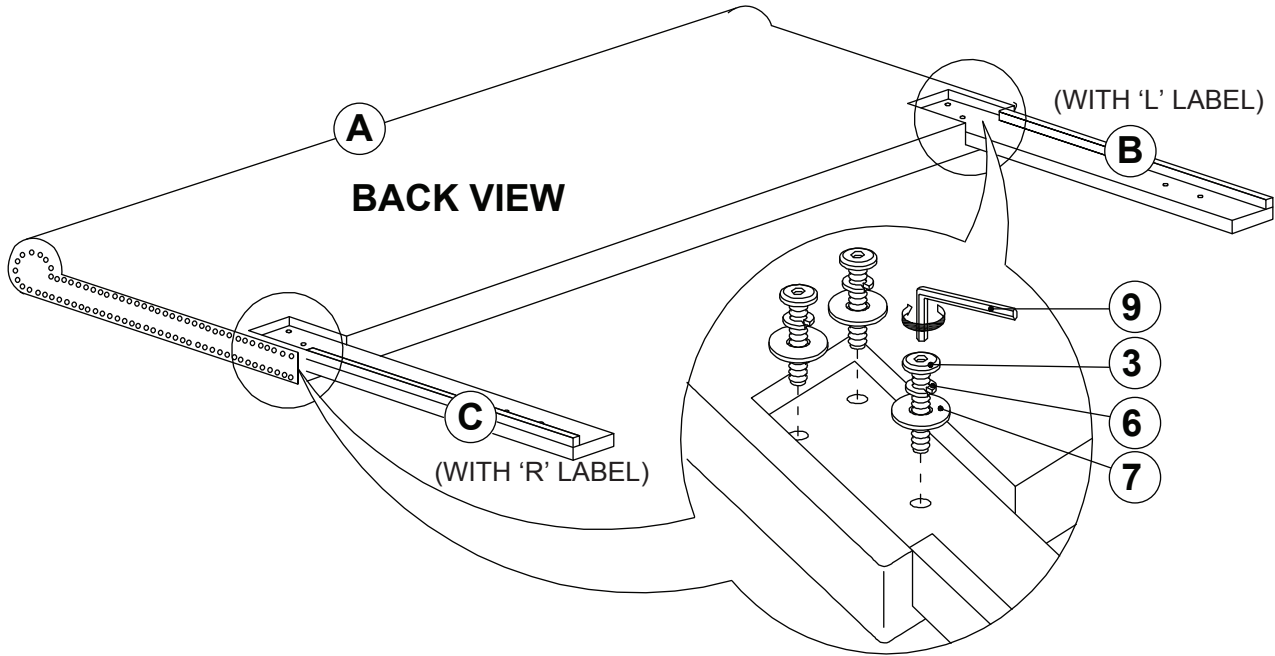
NOTE:

Phillips head screw driver is required in the assembly process; however, manufacturer does not provided this item.

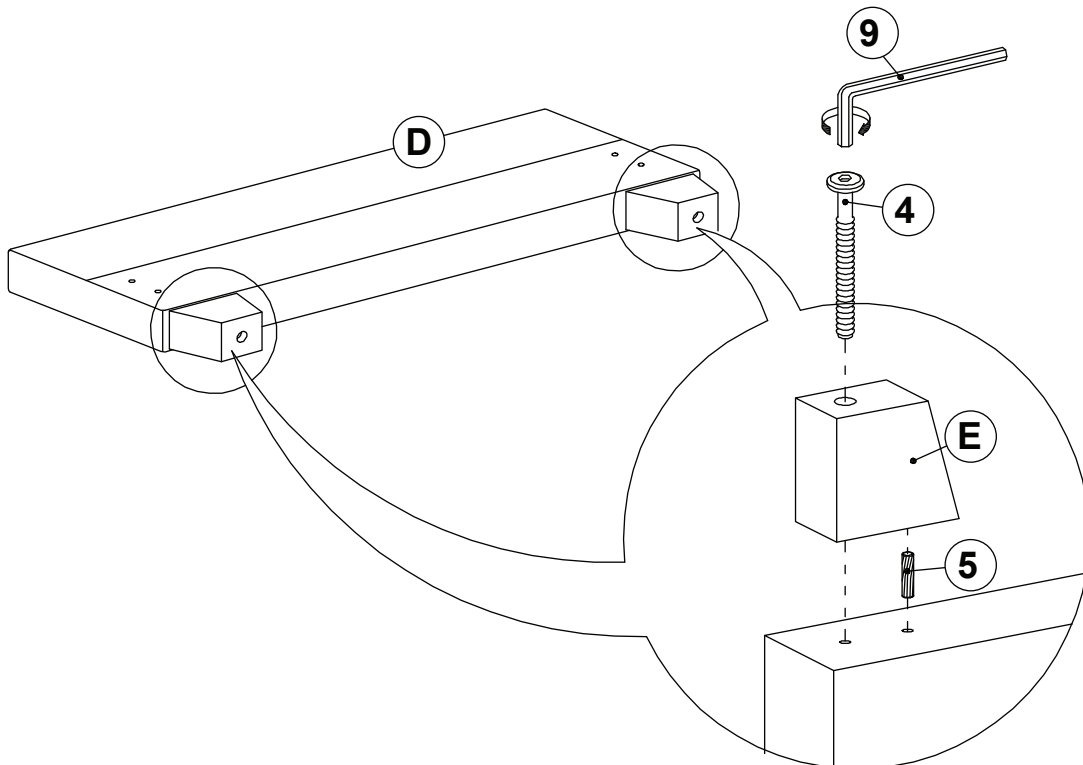
ITEM: **310042KE**

ASSEMBLY INSTRUCTIONS

STEP 1



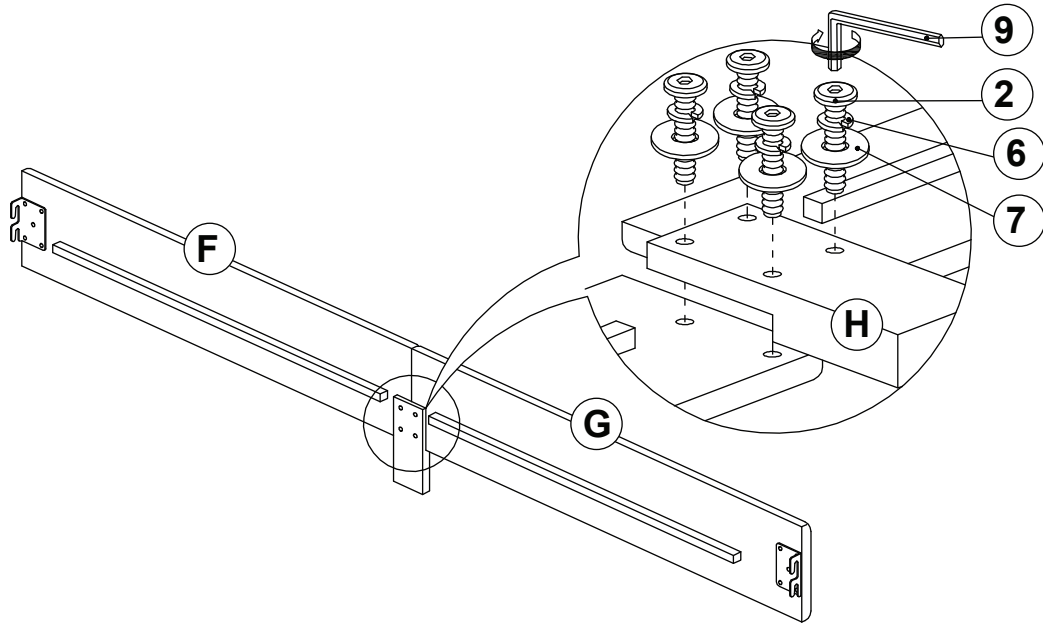
STEP 2



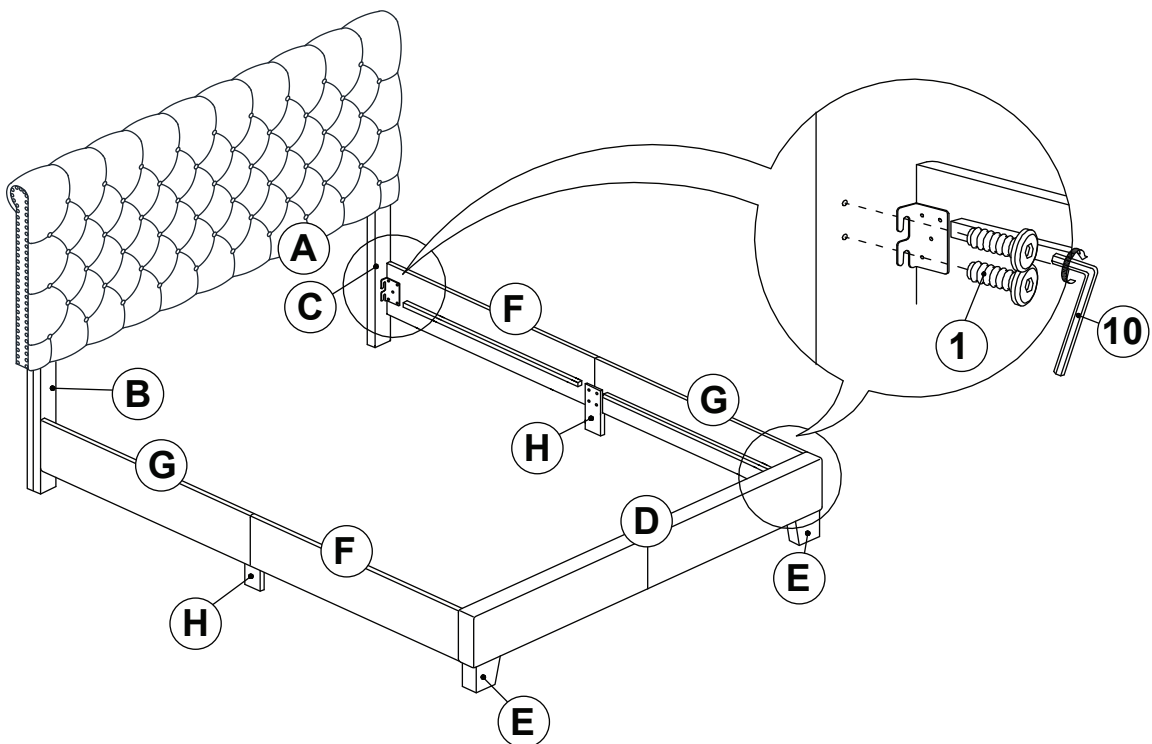
ITEM: **310042KE**

ASSEMBLY INSTRUCTIONS

STEP 3



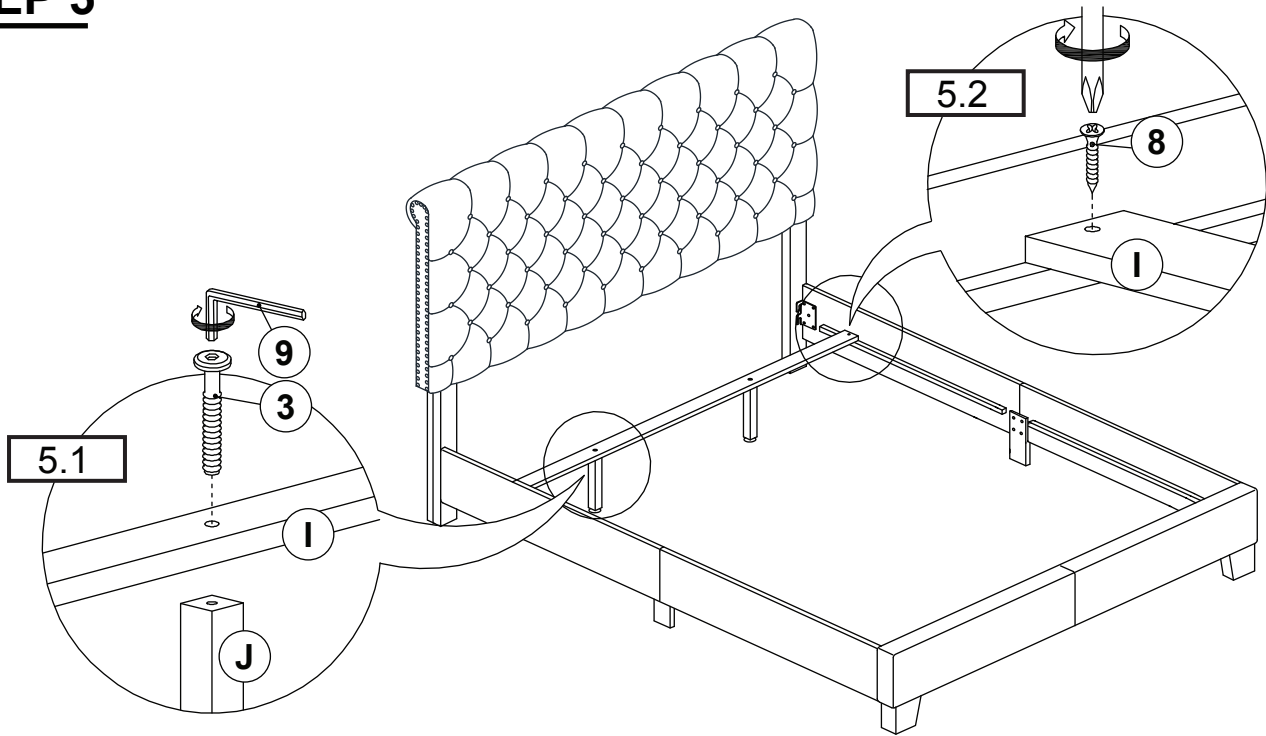
STEP 4



ITEM: **310042KE**

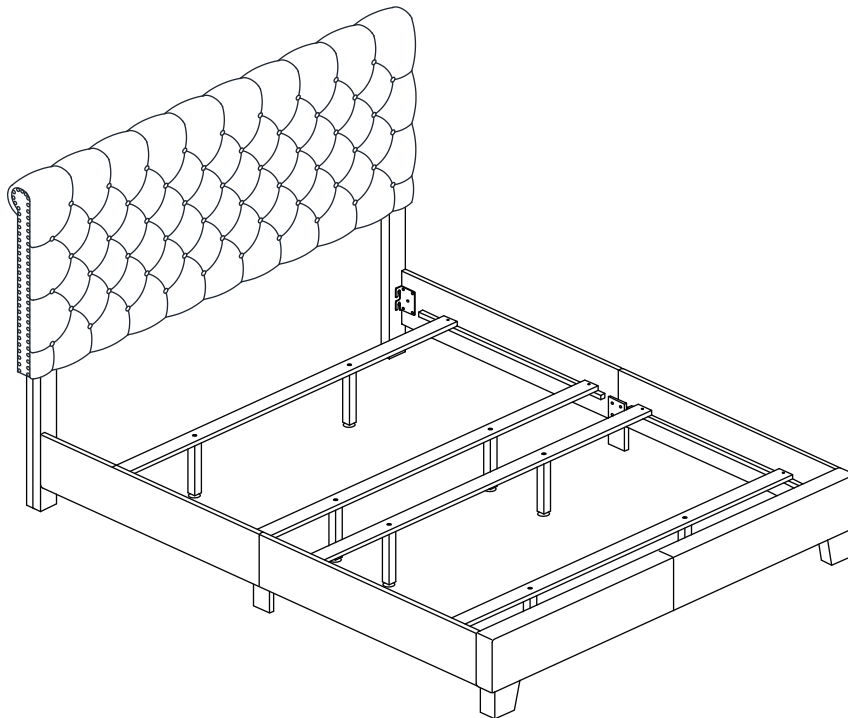
ASSEMBLY INSTRUCTIONS

STEP 5



STEP 6

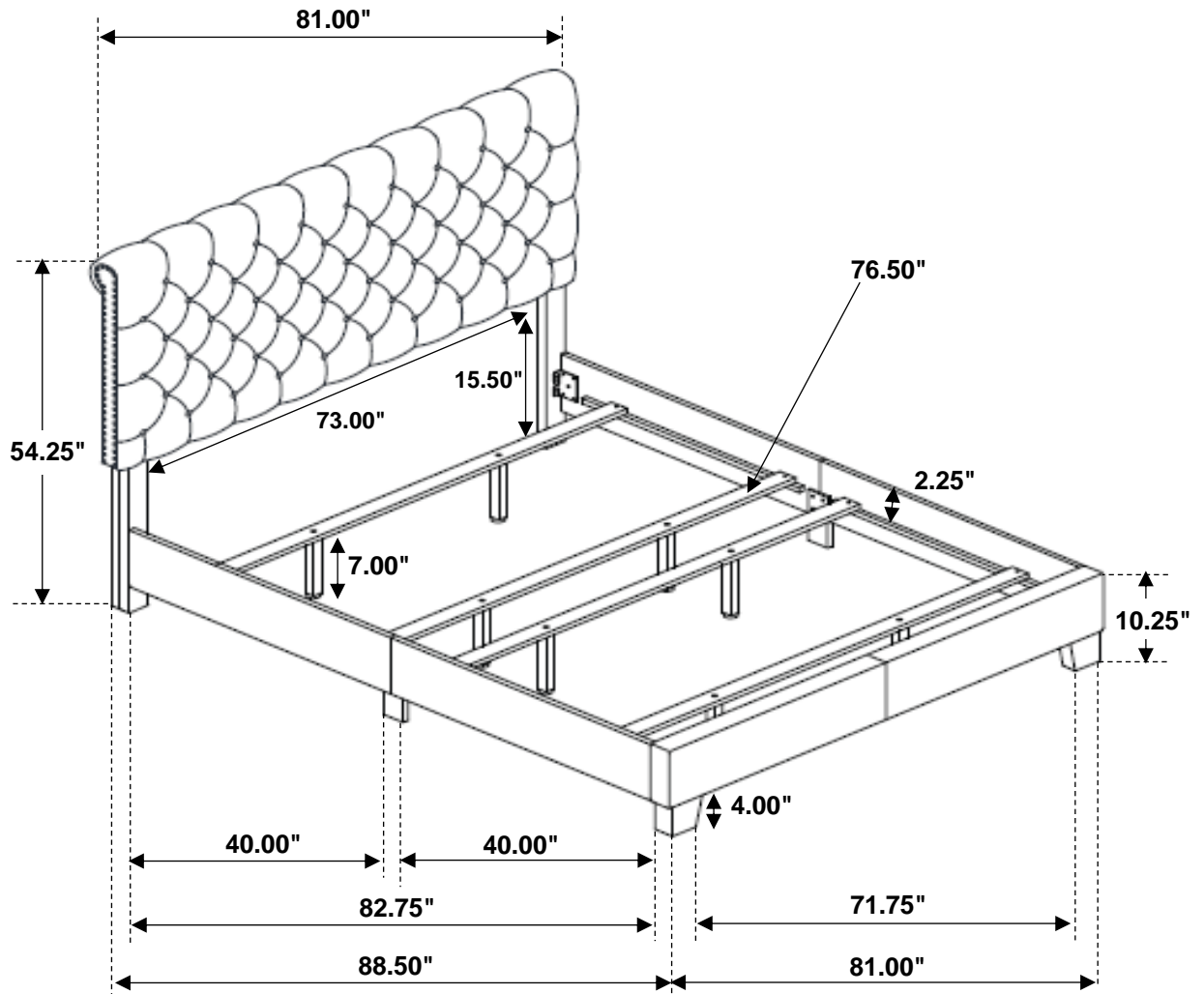
COMPLETE



ITEM: **310042KE**



Inner Size: 76.50"W X 80.25"D



Note: Dimension tolerance $\pm 5\%$