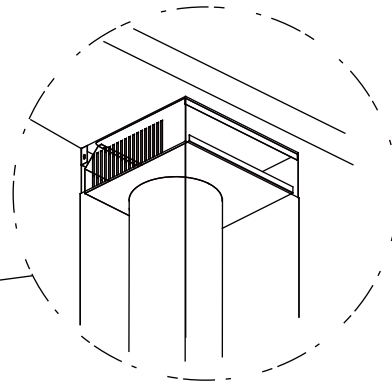
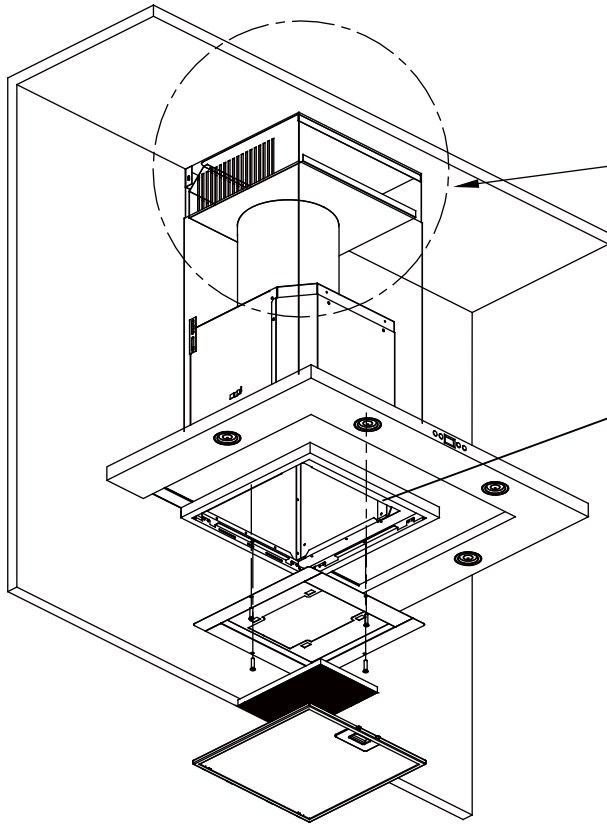


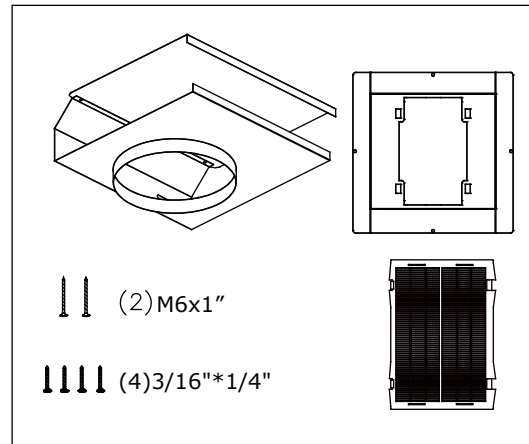
## ZRC-00MO

For use with models : ZMO-xxxAS, ZMO-xxxBS

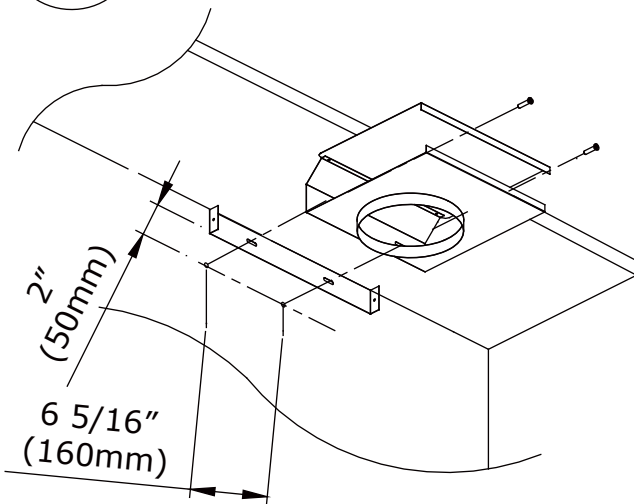


Remove all black foam from filter opening before installing the charcoal filter brackets.

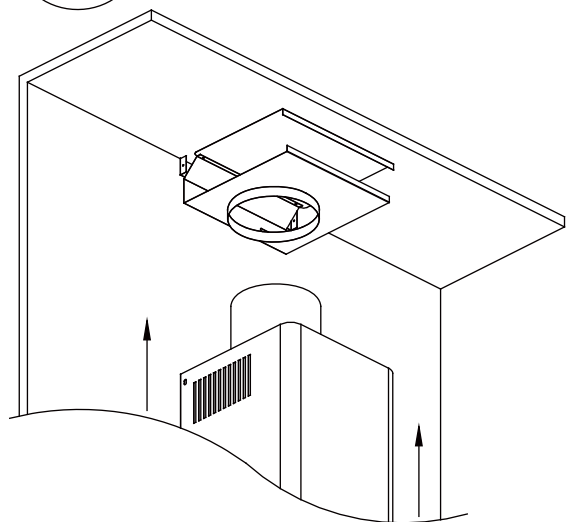
### INCLUDED MATERIAL



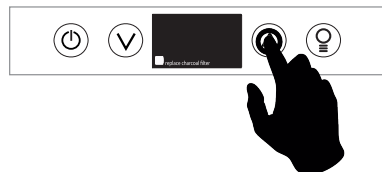
1



2



3



Follow instructions in hood manual to enable the "replace charcoal filter" indicator on the hood controls.