



CAFÉ  
DISTINCT BY DESIGN

# Owner's Manual





DISTINCT BY DESIGN™

## Owner's Manual and Installation Instructions

# Bottom Freezer Refrigerators

Models that start with CFE are Standard Depth Models (SD)

Models that start with CYE and CWE are Counter Depth Models (CD)

### Contents

<b>Safety Information</b> . . . . .	3	<b>Installation Instructions</b>	
<b>Using the Refrigerator</b>		Preparing to Install the Refrigerator . . . . .	24
Features . . . . .	6	Installing the Refrigerator . . . . .	26
Controls . . . . .	7	Installing the Anti-Tip Bracket . . . . .	33
Dispenser . . . . .	11	Installing the Water Line . . . . .	38
Water Filter . . . . .	12	<b>Troubleshooting Tips</b> . . . . .	41
Hot Water . . . . .	13	Normal Operating Conditions . . . . .	41
Single Serve Keurig K-Cup Brewer . . . . .	14	Truth or Myth . . . . .	45
Appliance Communication . . . . .	15	<b>Limited Warranty</b> . . . . .	47
Fresh Food Storage Options . . . . .	16	<b>Consumer Support</b>	
Climate Zone & Temperature		Water Filter Cartridge	
Controlled Drawer . . . . .	18	Limited Warranty . . . . .	48
Freezer . . . . .	20	Performance Data Sheet . . . . .	49
Automatic Ice maker . . . . .	21	Consumer Support . . . . .	52
<b>Care And Cleaning</b> . . . . .	22		
Replacing the Lights . . . . .	23		

Write the model and serial numbers here:

Model # \_\_\_\_\_

Serial # \_\_\_\_\_

Find these numbers on a label on the left side, near the middle of the refrigerator compartment.

**ENGLISH/FRANÇAIS/ESPAÑOL**

## THANK YOU FOR MAKING CAFÉ A PART OF YOUR HOME.

---

We take pride in the craftsmanship, innovation and design that goes into every Café product, and we think you will too. Among other things, registration of your appliance ensures that we can deliver important product information and warranty details when you need them.

Register your Café appliance now online. Helpful websites are available in the Consumer Support section of this Owner's Manual. You may also mail in the pre-printed registration card included in the packing material.

**C A F É**

---

DISTINCT BY DESIGN™

# IMPORTANT SAFETY INFORMATION

## READ ALL INSTRUCTIONS BEFORE USING THE APPLIANCE

**⚠ WARNING** To reduce the risk of fire, explosion, electric shock, or injury when using your refrigerator, follow these basic safety precautions:

- This refrigerator must be properly installed and located in accordance with the Installation Instructions before it is used.
- Unplug the refrigerator before making repairs, replacing a light bulb, or cleaning.  
**NOTE:** Power to the refrigerator cannot be disconnected by any setting on the control panel.  
**NOTE:** Repairs must be performed by a qualified Service Professional.
- Replace all parts and panels before operating.
- Do not use an extension cord.
- Do not store or use gasoline or other flammable vapors and liquids in the vicinity of this or any other appliance.
- Do not store explosive substances such as aerosol cans with a flammable propellant in this appliance.
- To prevent suffocation and entrapment hazards to children, remove the fresh food and freezer doors from any refrigerator before disposing of it or discontinuing its use.
- To avoid serious injury or death, children should not stand on, or play in or with the appliance.
- Children and persons with reduced physical, sensory or mental capabilities or lack of experience and knowledge can use this appliance only if they are supervised or have been given instructions on safe use and understand the hazards involved.
- This appliance is intended to be used in household and similar applications such as: staff kitchen areas in shops, offices and other working environments; farm houses; by clients in hotels, motels, bed & breakfast and other residential environments; catering and similar non-retail applications.
- Do not apply harsh cleaners to the refrigerator. Certain cleaners will damage plastic which may cause parts such as the door or door handles to detach unexpectedly. See the Care and Cleaning section for detailed instructions.
- Connect to potable water supply only with water pressure maximum of 120 psi (827 kilopascals).

**⚠ CAUTION** To reduce the risk of injury when using your refrigerator, follow these basic safety precautions.

- Do not clean glass shelves or covers with warm water when they are cold. Glass shelves and covers may break if exposed to sudden temperature changes or impact, such as bumping or dropping. Tempered glass is designed to shatter into many small pieces if it breaks.
- Keep fingers out of the “pinch point” areas; clearances between the doors and between the doors and cabinet are necessarily small. Be careful closing doors when children are in the area.
- Do not refreeze frozen foods which have thawed completely.
- In refrigerators with automatic icemakers, avoid contact with the moving parts of the ejector mechanism, or with the heating element that releases the cubes. Do not place fingers or hands on the automatic ice making mechanism while the refrigerator is plugged in.

## INSTALLATION

### **⚠ WARNING** FIRE OR EXPLOSION HAZARD

Keep flammable materials and vapors away from refrigerator. Failure to do so can result in fire, explosion, or death.

### **⚠ WARNING** TIP OVER HAZARD.

If an anti-tip floor bracket was included with your refrigerator, install it to prevent the refrigerator from tipping forward, which could result in death or serious injury. Read and follow the entire installation instructions for installing the anti-tip floor bracket packed with your refrigerator.

## READ AND SAVE THESE INSTRUCTIONS

# IMPORTANT SAFETY INFORMATION

## READ ALL INSTRUCTIONS BEFORE USING THE APPLIANCE

### CONNECTING ELECTRICITY

#### **⚠ WARNING** **ELECTRICAL SHOCK HAZARD**

Plug into a grounded 3-prong outlet  
 Do not remove the ground prong  
 Do not use an adapter  
 Do not use an extension cord.  
 Failure to follow these instructions can result in death, fire, or electrical shock.

**Do not, under any circumstances, cut or remove the third (ground) prong from the power cord. For personal safety, this appliance must be properly grounded.**

The power cord of this appliance is equipped with a 3-prong (grounding) plug which mates with a standard 3-prong (grounding) wall outlet to minimize the possibility of electric shock hazard from this appliance.

Have the wall outlet and circuit checked by a qualified electrician to make sure the outlet is properly grounded.

Where a standard 2-prong wall outlet is encountered, it is your personal responsibility and obligation to have it replaced with a properly grounded 3-prong wall outlet. Do not use an adapter.

The refrigerator should always be plugged into its own individual electrical outlet which has a voltage rating that matches the rating plate.

A 115 Volt AC, 60 Hz, 15- or 20-amp fused, grounded electrical supply is required. This provides the best performance and also prevents overloading house wiring circuits which could cause a fire hazard from overheated wires.

Never unplug your refrigerator by pulling on the power cord. Always grip plug firmly and pull straight out from the outlet.

Immediately discontinue use of a damaged supply cord. If the supply cord is damaged, it must be replaced by a qualified service professional with an authorized service part from the manufacturer.

When moving the refrigerator away from the wall, be careful not to roll over or damage the power cord.

### PROPER DISPOSAL OF YOUR OLD REFRIGERATOR

#### **⚠ WARNING** **SUFFOCATION AND ENTRAPMENT HAZARD**

Failure to follow these disposal instructions can result in death or serious injury

**IMPORTANT:** Child entrapment and suffocation are not problems of the past. Junked or abandoned refrigerators are still dangerous even if they will sit for “just a few days.” If you are getting rid of your old refrigerator, please follow the instructions below to help prevent accidents.

#### **Before You Throw Away Your Old Appliance**

- Take off the fresh food and freezer doors.
- Leave the shelves in place so that children may not easily climb inside.

#### **REFRIGERANT AND FOAM DISPOSAL:**

Dispose of or recycle appliance in accordance with Federal and Local Regulations. Flammable insulation material used requires special disposal of your appliance. Contact your local authorities for the environmentally safe disposal or recycling of your appliance.

## READ AND SAVE THESE INSTRUCTIONS

# IMPORTANT SAFETY INFORMATION

## READ ALL INSTRUCTIONS BEFORE USING THE APPLIANCE

### HOT WATER DISPENSER

#### **⚠ WARNING**



#### **Scalding Hazard.**

The hot water dispenser is capable of heating water to a temperature of approximately 185°F (85°C). Water temperatures above 125°F (52°C) can cause severe burns or death from scalding. Children, the disabled, and the elderly are at highest risk of being scalded.

**Use this appliance only for its intended purpose as described in this Owner's Manual. To reduce the risk of severe burns, scald injuries, or death when using your hot water dispenser, the instructions below must be followed:**

- Do not leave container unattended around children during or after hot water dispense.
- Do not permit children to use the hot water dispenser.
- The hot water dispensing knob requires both twist and push motions in order to reduce the risk of hot water being dispensed unintentionally or by small children. Do not tamper with or modify the hot water dispensing knob.
- The water coming from the dispenser is very hot. Use extreme caution when dispensing and drinking water. Allow water to cool to a drinkable temperature before drinking. Your container should be close to the dispensing point to minimize the splashing of hot water.
- When dispensing hot water, the container can become very hot. Use a temperature insulating container, such as ceramic or foam. Using container materials such as paper or plastic may result in a burn while holding the cup. Do not use glass containers, as thermal shock can cause the container to break and may result in scalding or lacerations.
- Always follow the formula manufacturer's instructions for preparation of baby formula and test formula temperature prior to feeding. Always test water temperature before feeding.
- The first time the hot water feature is used, confirm if you live above 5000 feet (1524 meters) (high altitude). This limits the temperature of the hot water system to avoid boiling. To access the high altitude selection, go to the settings menu if available or for other models press **Fridge** and **Door Alarm** together to cycle from **Hi AL** to **Lo AL** (high altitude to low altitude).
- A newly installed water filter cartridge will cause water to spurt from the dispenser. Run 2 gallons (7.57 liters) of water through the cold water dispenser (about 5 minutes) to remove air from the system. Until this air is removed from the system through the cold water dispenser, **DO NOT** use the hot water dispenser as it may result in spurting of hot water and lead to hot water scalding.
- Do not use with water that is microbiologically unsafe or of unknown quality.
- The hot water dispenser is designed to only dispense water. Do not attempt to heat or dispense anything other than water. Do not attempt to disassemble or clean the tank.
- Do not modify the hot water system. Service with factory replacement part only.

**Check the rating label for refrigerant type. If R600a, follow the warning instructions below.**

#### **⚠ WARNING**

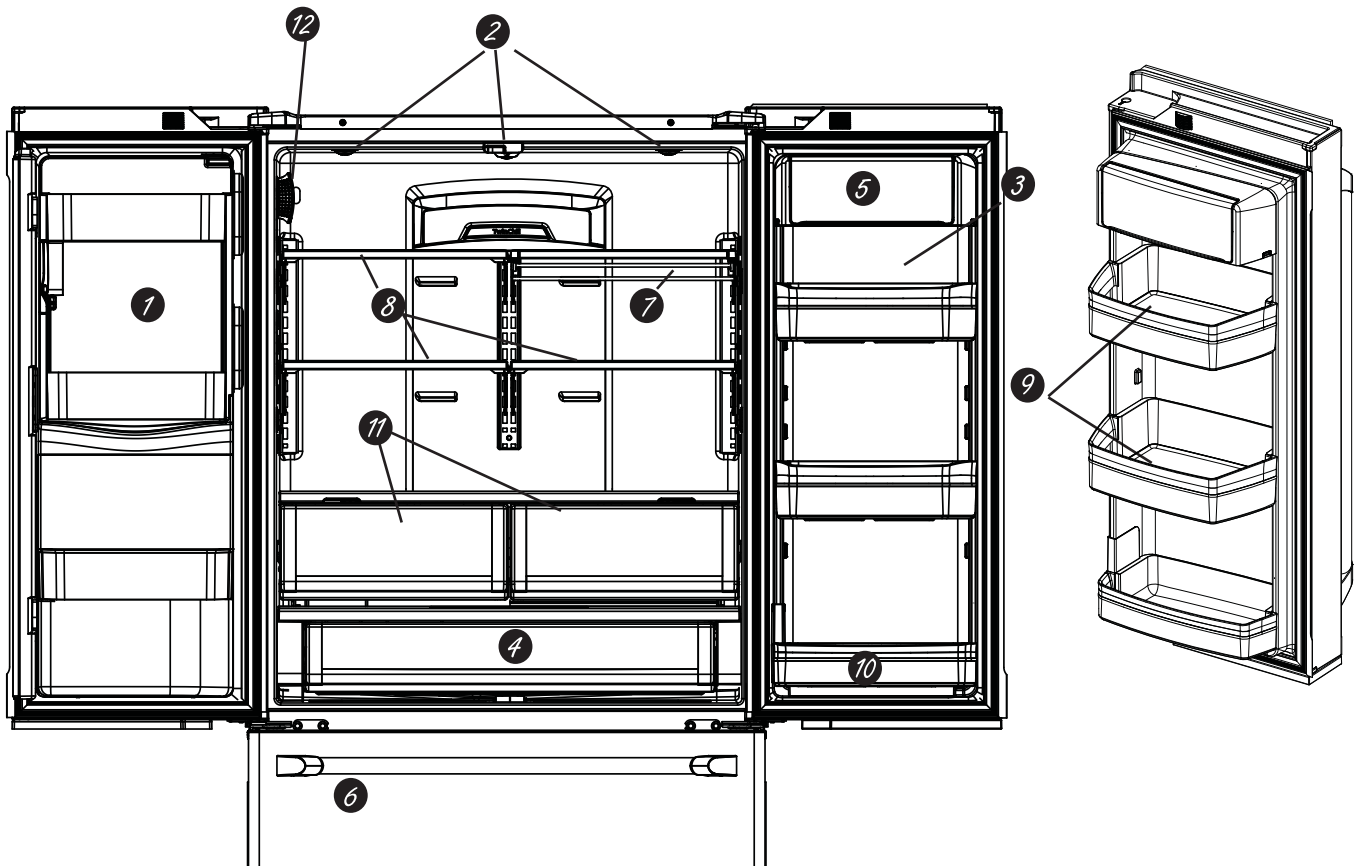


#### **FIRE OR EXPLOSION HAZARD Flammable Refrigerant**

**This appliance contains isobutane refrigerant, also known as R600a, a natural gas with high environmental compatibility. However, it is also combustible. Adhere to the warnings below to reduce the risk of injury or property damage.**

1. When handling, installing and operating the appliance, care should be taken to avoid damage to the refrigerant tubing.
2. Service shall only be performed by authorized service personnel. Use only manufacturer-authorized service parts.
3. Dispose of refrigerator in accordance with the Federal and Local Regulations. The flammable refrigerant and insulation material used in this product require special disposal procedures. Contact your local authorities for the environmentally safe disposal of your refrigerator.
4. Keep ventilation openings in the appliance enclosures or in the built-in structure clear of obstruction.
5. To remove frost, scrape with a plastic or wood spatula or scraper. Do not use an ice pick or a metal or sharp-edged instrument as it may puncture the freezer liner and then the flammable refrigerant tubing behind it.
6. Do not use electrical appliances inside the food storage compartment of the appliance.
7. Do not use any electrical device to defrost your freezer.

# Features



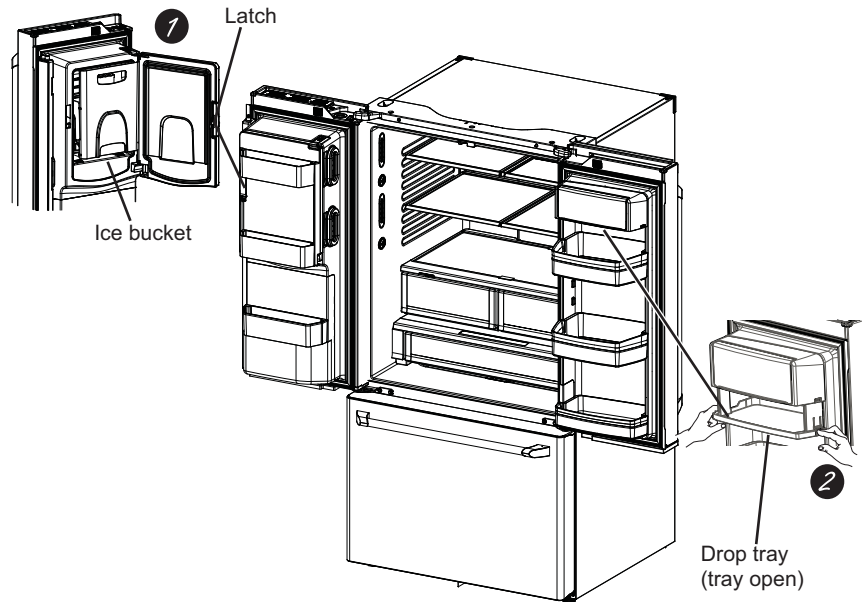
- 1 Space-saving ice maker\***  
Ice maker and bin are located on the door creating more usable storage space.
- 2 Showcase LED lighting**  
LED lighting is positioned throughout the interior to spotlight areas in the refrigerator. LEDs are located under the fresh food door to light the freezer when opened.
- 3 Drop-down tray\***  
Allows for extra door storage when you need it and tucks away when you don't.
- 4 Full-width temperature controlled drawer**  
Adjustable temperature control bin that can accommodate larger items.
- 5 Dairy bin\***  
Separate compartment for your items.
- 6 Ice bin/ice maker\***  
Ice maker with ice storage bins.
- 7 QuickSpace™ shelf\***  
Functions as a normal full-sized shelf when needed and easily slides back to store tall items below.
- 8 Spillproof shelves**  
Designed to capture your spills for easier clean up.
- 9 Anti-slip Mat\***  
Liner that captures spills, keeps containers from shifting when the door is opened and is easily removable for cleaning.
- 10 Removable door bin**  
Can be removed for those with a wall limiting the door opening.
- 11 Climate zone bin**  
Separate bins for produce storage.
- 12 Water filter**  
Filters water and ice.

\* Select models only.

# Features

## 1 Door ice bin\*

1. Open left fresh food door.
2. Pull down latch to release bin door.
3. Using handhold lift ice bucket up and out to clear locators in bottom of bin.
4. To replace the ice bucket, set it on the guide brackets and push until the ice bucket seats properly.
5. If bucket cannot be replaced, rotate the Ice Bucket Fork 1/4 turn clockwise.

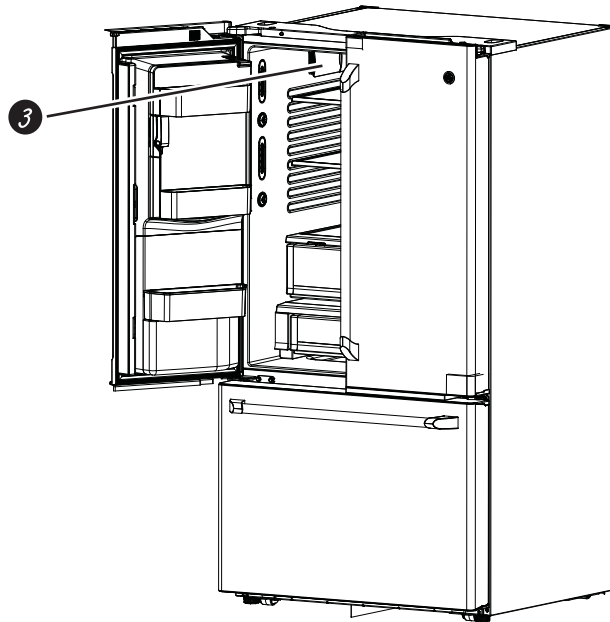


## 2 Drop down dairy bin\*

1. Open right fresh food door.
2. Depress both buttons on lower sides and bin will drop down.
3. Reverse to reinstall.

## 3 Ice/water filter

Certified to reduce chlorine-resistant cysts, lead, select pharmaceuticals, and more.



### ⚠ WARNING



### Scalding

#### Hazard.\*

Use of the hot water dispenser prior to purging air from the system may result in spurting of hot water and lead to hot water scalding. Follow the instructions for "Water Filter - Step 3" on page 12 to purge all air from the system through the cold water dispenser prior to using the hot water dispenser.

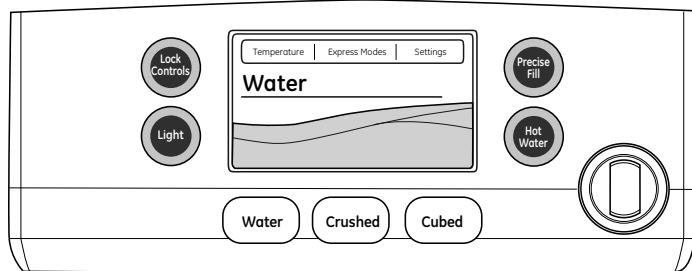
**The first time the hot water feature is used, confirm if you live above 5000 feet (1524 meters) (high altitude). This limits the temperature of the hot water system to avoid boiling. To access the high altitude selection, see Controls.**

\*Select Models Only



# Controls

## CYE/CFE Control Style



### Changing the Temperature for Control Style CYE/CFE

**To Change the Refrigerator Temperature:**

**Access By:** Temperature Button Temperature

**Activate By:** Below the word “Refrigerator”, use the arrows to select the desired temperature. Press **DONE** when finished to return to **HOME** screen.

**To Change the Freezer Temperature:**

**Access By:** Temperature Button Temperature

**Activate By:** Below the word “Freezer”, use the arrows to select the desired temperature. Press **DONE** when finished to return to **HOME** screen.

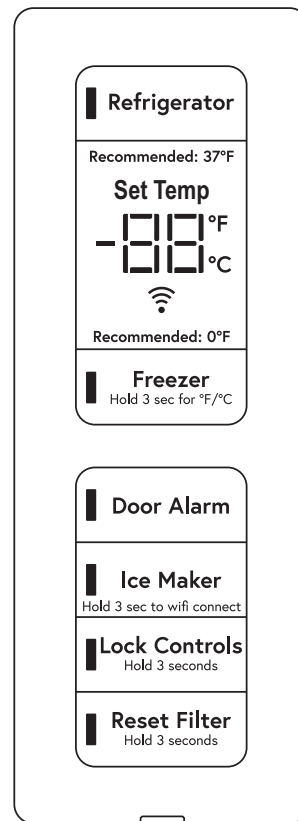
To turn **OFF** cooling system, access **SETTINGS** from the **HOME** screen. Page over and tap **COOLING SYSTEM ON**. Press **DONE** to return to **HOME** screen.

To turn **ON** cooling system, access **SETTINGS** from the **HOME** screen. Page over and tap **COOLING SYSTEM OFF**. Press **DONE** to return to **HOME** screen.

Turning the cooling system off stops the cooling to refrigerator, but it does not shut off the electrical power.

**NOTE:** For optimal temperature performance, we recommend to avoid placing food or other items directly at the air flow vents or the fresh food air tower, thus blocking the air flow.

## CWE Control Style



### Changing Temp. for Control Style CWE

Temperature Display is located on inside of left-hand refrigerator door. **To change the temperature**, press and release the **REFRIGERATOR** or **FREEZER** pad.

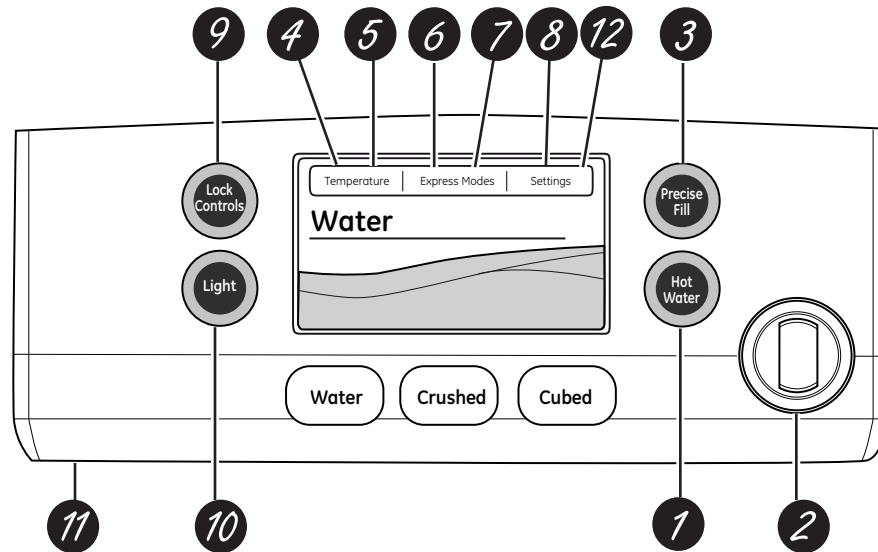
To change the temperature, tap either the **REFRIGERATOR** or **FREEZER** pad until the desired temperature is displayed.

To turn **OFF** cooling system, press and hold the **REFRIGERATOR** and **FREEZER** pads simultaneously for 3 seconds. When the cooling system is **OFF** the display should read **OFF**.

To turn **ON** cooling system, press either **REFRIGERATOR** or **FREEZER** pad. The display will show the preset temperature settings of **37°F (3°C)** for refrigerator and **0°F (-18°C)** for freezer. Turning the cooling system off stops the cooling to refrigerator, but it does not shut off the electrical power.

# Controls

## Control Style A, External Controls CFE/CYE Models



**NOTE:** The refrigerator is shipped with protective film covering the temperature controls. If this film was not removed during installation, remove it now.

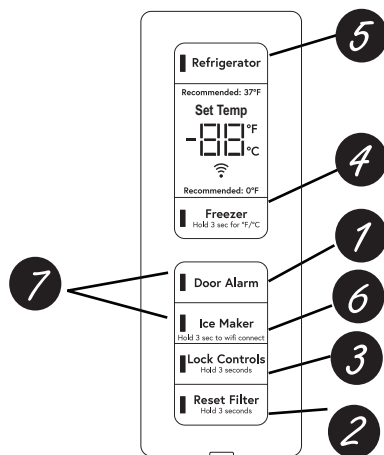
The temperature controls are preset in the factory at 37°F for the refrigerator compartment and 0°F for the freezer compartment. Allow 24 hours for the temperature to stabilize to the preset recommended settings.

The temperature controls can display both the SET temperature as well as the actual temperature in the refrigerator and freezer. The actual temperature may vary slightly from the SET temperature based on usage and operating environment.

- 1 Hot Water**  
Dispenses up to 10 ounces of filtered hot water from user selected ranges of 90°F to 185°F.
  - 2 Hot Water Knob**  
Illuminates to indicate hot water is ready. Dispenses with two motions: a counter-clockwise twist and then push to dispense.
  - 3 Precise Fill**  
Precisely dispenses filtered water in accurate measurements in ounces, cups, quarts, or liters using paddle.
  - 4 Refrigerator temp control**  
Adjust freezer compartment temperature.
  - 5 Fresh food temp control**  
Adjust fresh food compartment temperature.
  - 6 TurboFreeze™ setting**  
Activate TurboFreeze to quickly restore freezer temperatures after frequent door openings.
  - 7 TurboCool™ setting**  
Activate TurboCool to quickly restore fresh food temperature after frequent door openings.
  - 8 Humidity setting**  
Humidity setting can be normal or high.
  - 9 Lock controls**  
Press and hold 3 seconds to lock out ice and water dispenser and all feature and temperature buttons.
  - 10 LED dispenser light**  
LED lighting that can be turned on/off to light your dispenser.
  - 11 Photo Upload**  
Insert USB memory stick to upload personal photos to the refrigerator LCD screen. LCD will provide on screen prompts to load and view slideshow. Make sure the photos are in the root directory in your USB.
  - 12 Additional Settings**
    - Connected Home ready
    - Slideshow
    - Reset filter
    - Ice maker on/off
    - Door alarm
    - Sound control
    - Cooling system On/Off
    - Metric/English units
    - Altitude
- Additional Modes**
- **Sabbath Mode**  
Press and hold lock & light simultaneously for 3 seconds to enter/exit Sabbath mode. Sabbath Mode will turn off or dim interior lights, temperature control and advanced features. Compressor will run on a timed defrost when in Sabbath mode.

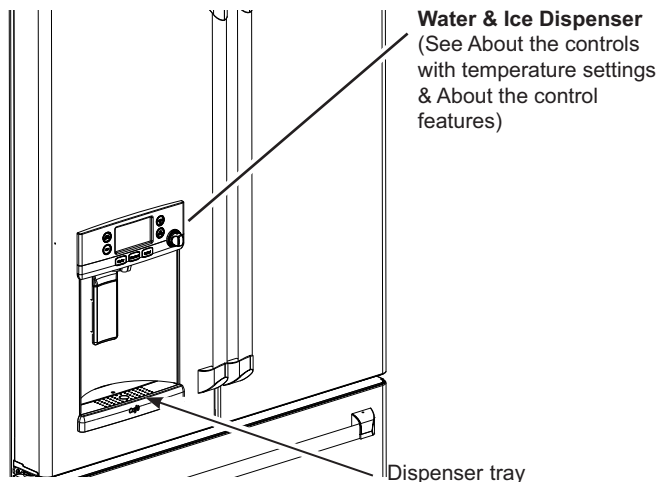
# Controls

## Controls Style B, Internal Controls CWE Models



- 1 Door Alarm**  
Sounds to alert when the freezer or fresh food doors have been left open.
- 2 Reset Filter**  
Hold for 3 seconds after replacing filter.
- 3 Lock Controls**  
Press and hold 3 seconds to lock out ice and water dispenser and all feature and temperature buttons.
- 4 Freezer temp control**  
Adjust freezer compartment temperature
- 5 Refrigerator temp control**  
Adjust fresh food compartment temperature
- 6 Ice maker setting**  
Turn your ice makers on/off.
- 7 Sabbath Mode**  
Press and hold Door Alarm and Ice Maker simultaneously for 5 seconds to enter/exit Sabbath Mode.

## Dispenser (CFE & CYE Models Only)



**Water & Ice Dispenser**  
(See About the controls with temperature settings & About the control features)

Dispenser tray

### **▲ WARNING** LACERATION HAZARD

- Never put fingers or any other object into ice crusher discharge opening. Doing so can result in contacting the ice crushing blades and lead to serious injury or amputation
- Use a sturdy glass when dispensing ice. A delicate glass may break and result in personal injury.

If no water is dispensed when the refrigerator is first installed, there may be air in the water line system. Press the dispenser paddle for at least five minutes to remove trapped air from the water line and to fill the water system. To flush out impurities in the water line, throw away the first six full glasses of water.

#### To remove Dispenser Tray

- Pull Dispenser Tray out until it stops.
- Locate tab in the center on the bottom and push up.
- Pull Dispenser Tray assembly out.
- Lift metal Dispenser Tray out at center notch to clean.

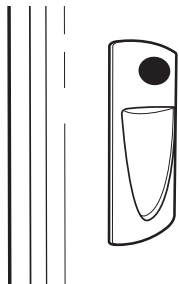
#### To reinstall Dispenser Tray

- Place the Dispenser Tray cover on top of catch tray and position under the two plastic retainers on either side.
- Center Dispenser tray, and align with center guides.
- Push in until is firmly in place.

## Important Facts About Your Dispenser

- Do not add ice from trays or bags to the door ice maker bucket. It may not crush or dispense.
- Avoid overfilling glass with ice and use of narrow glasses. Backed-up ice can jam the chute or cause the door in the chute to freeze shut. If ice is blocking the chute remove the ice bucket, poke it through with a wooden spoon.
- Beverages and foods should not be quick-chilled in the door ice maker bin. Cans, bottles or food packages in the storage drawer may cause the ice maker or auger to jam.
- To keep dispensed ice from missing the glass, put the glass close to, but not touching, the dispenser opening.
- Some crushed ice may be dispensed even though you selected **CUBED ICE**. This happens occasionally when a few cubes accidentally get directed to the crusher.
- After crushed ice is dispensed, some water may drip from the chute.
- Sometimes a small mound of snow will form on the door in the ice chute. This condition is normal and usually occurs when you have dispensed crushed ice repeatedly. The snow will eventually evaporate.

## To Use the Internal Water Dispenser (CWE Models Only)



The water dispenser is located on the left wall inside the refrigerator compartment.

#### To dispense water:

1. Hold the glass against the recess.
2. Push the water dispenser button.
3. Hold the glass underneath the dispenser for 2–3 seconds after releasing the dispenser button. Water may continue to dispense after the button is released.

If no water is dispensed when the refrigerator is first installed, there may be air in the water line system. Press the dispenser button for at least 5 minutes to remove trapped air from the water line and to fill the water system. During this process, the dispenser noise may be loud as the air is purged from the water line system. To flush out impurities in the water line, throw away the first 6 glassfuls of water.

**NOTE:** To avoid water deposits, the dispenser should be cleaned periodically by wiping with a clean cloth or sponge.

# Water Filter Cartridge

## Water Filter Cartridge

The water filter cartridge is located in the fresh food interior on the left side wall, near the top.

Select models use radio frequency identification (RFID) to detect leaks and monitor filter status. The RFID technology is certified by the FCC.

“This device complies with part 15 of the FCC Rules. Operation is subject to the following two conditions: (1) This device may not cause harmful interference, and (2) this device must accept any interference received, including interference that may cause undesired operation.”

“This device complies with Industry Canada licence-exempt RSS standard(s). Operation is subject to the following two conditions: (1) this device may not cause interference, and (2) this device must accept any interference, including interference that may cause undesired operation of the device.”

## When to Replace the Filter Cartridge

The filter cartridge should be replaced every six months or earlier if 170 gallons (643.52 liters) of water has been dispensed or the flow of water to the dispenser or icemaker decreases.

**Touch Screen Models:** A filter status message will appear on the screen when the water filter needs to be replaced. The filter status will automatically update when the filter is replaced.

**Non-touch Screen Models:** A filter indicator light will illuminate on the screen when the water filter needs to be replaced.

On some models, if replacing the filter does not automatically turn off the “Order” or “Replace” indicator on the LCD, enter the <Settings> menu from the home screen, select the <Water Filter> menu, and press the RESET button. The filter status is now reset. Press the DONE button to return to the home screen.

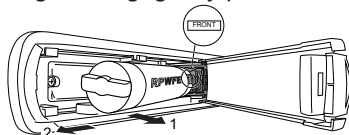
## For Product with RPWFE Filter

### Removing the Filter

**DO NOT TWIST CARTRIDGE!** Twisting may damage refrigerator or filter.

1. Remove the old cartridge by opening the filter door and pulling on the bottom of the cartridge to allow it to swing outward.
2. When the cartridge can no longer swing, gently pull to unseat from the cartridge holder. A small amount of water may drip out.

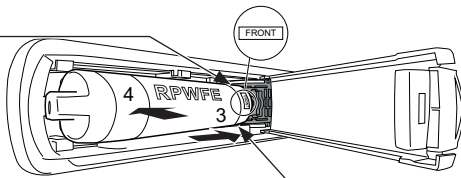
**DO NOT TWIST  
CARTRIDGE!**



### Installing the Filter Cartridge

1. Center the cartridge with cartridge holder with the word **FRONT** facing outward. Push the cartridge inward until it is fully seated. **FRONT** should be centered with the cartridge holder for proper installation. The **RED** indicators should not be visible.

Red indicators should not be visible



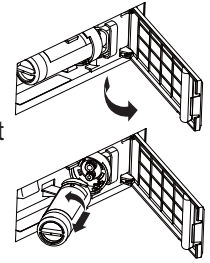
2. While continuing to ensure cartridge is fully seated in the holder, gently swing the filter inward until it is in position. If

filter will not swing easily, check to ensure filter is properly aligned and fully seated within the cartridge holder.

## For product with XWFE Filter

### Removing the Filter

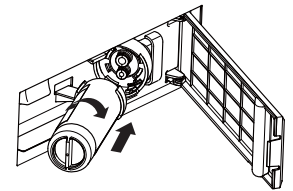
If you are replacing the filter, first remove the previous one by gently grasping the filter and slowly turning it to the left, about a ¼ turn. The filter should automatically release itself when you have rotated it far enough to the left. A small amount of water may drip down.



### Installing the Filter

1. Open the filter cartridge housing by pulling the door open.

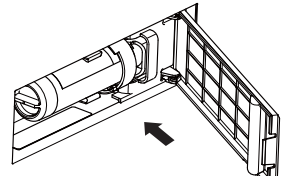
2. Line up the ports on the filter with the ports on the filter cartridge holder, and gently insert the filter.



3. Slowly turn the filter to the right until it stops. **DO NOT OVERTIGHTEN.** As you turn the filter, it will automatically adjust itself into position. The filter will move about a ¼ turn or 90 degrees, until the filter cannot be turned, and the label faces outward.

4. Slowly push the filter up into the clips.

5. Close the filter cartridge housing by gently pushing the door closed until the tabs lock into place.



**For dispenser models** – Run 2 gallons of water through the cold water dispenser (about 5 minutes) to remove air from the system. A newly installed filter cartridge will cause water to spurt from the dispenser. Use a large pitcher or sports bottle to catch the water spray. **NOTE:** It is normal for water to appear discolored during the initial system flush. Water color will return to normal after the first few minutes of dispensing.

**For icemaker-only models** – Discard the first bin of ice to allow air to purge from the system. A newly installed filter cartridge will cause water to spurt into the icemaker body, which could lead to ice droplets around the icemaker area. **NOTE:** It is normal for these droplets and initial ice production to appear discolored during the initial system flush. Ice color will return to normal after the first bin of ice production.

**DO NOT** use the hot water dispenser or Autofill function until all air is removed from the system.

6. Reset Filter status message (non-touch screen models).

### Filter Bypass Plug

To reduce the risk of property damage due to water leakage, you **MUST** use the filter bypass plug when a replacement filter cartridge is not available. Some models do not come equipped with the filter bypass plug. To obtain a free bypass plug, visit us on-line at [geappliances.com/service](http://geappliances.com/service). In Canada, visit [geappliances.ca/service](http://geappliances.ca/service). The dispenser and icemaker will not operate without either the filter or the bypass plug installed. The bypass plug is installed in the same way as a filter cartridge.

## Water Filter Cartridge (Cont.)

**⚠ WARNING** To reduce the risk associated with choking, do not allow children under 3 years of age to have access to small parts during the installation of this product. The disposable filter cartridge should be replaced every 6 months at the rated capacity, or sooner if a noticeable reduction in flow rate occurs.

For the maximum benefit of your filtration system, GE Appliances, a Haier company, recommends the use of GE Appliances-branded filters only. Using GE Appliances-branded filters in GE Appliances refrigerators provides optimal performance and reliability. Our filters meet rigorous industry NSF standards for safety and quality that are important for products that are filtering your water. There is

no assurance that brands other than GE Appliances filters meet our standards for quality, performance and reliability.

**If you have questions, or to order additional filter cartridges, visit [gewaterfilters.com](http://gewaterfilters.com).** In Canada, visit [GEAppliances.ca/service](http://GEAppliances.ca/service) or consult the yellow pages for the nearest Camco Service Center.

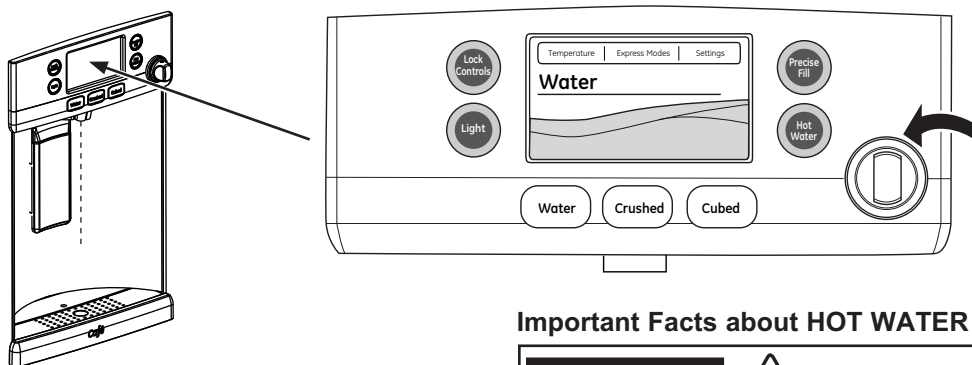
**⚠ WARNING**  **SCALDING HAZARD.\***

Use of the hot water dispenser prior to purging air from the system may result in spurting of hot water and lead to hot water scalding. Follow the instructions above to purge all air from the system through the cold water dispenser prior to using the hot water dispenser.

\*On some models

## Hot Water

### Hot Water Only Models



#### To Use Hot Water Dispenser

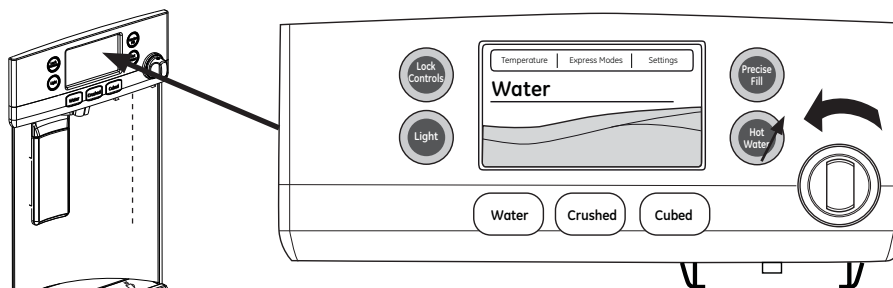
- Press HOT WATER button.
- Select desired water temperature on the LCD screen (90, 150, 170, 185, or Custom).
- When hot water is ready (indicated on the screen and by a beeping sound) hold container with left hand centered in the recess **under the spout**.
- To dispense water, rotate the hot water knob counterclockwise and then push it in. The knob must be held in during dispense.

#### Important Facts about HOT WATER

**⚠ WARNING**  **SCALDING HAZARD.**

- The water coming from the dispenser is very hot and can cause scalds or burns. **Read all warnings on page 5 prior to use.**
- Always use a container that is suitable for hot liquids (ceramic, foam, etc.)
- The maximum single hot water dispense amount is 10 oz. Additional hot water can be dispensed by restarting the hot water feature through the LCD screen.
- HOT WATER works best with household water pressure of 40 to 100 psi.
- HOT WATER will time out if unused and may require a short reheat time.

### For Models with K-Cup Brewing System



On Café refrigerators equipped with the K-Cup brewing system, ALL HOT WATER is dispensed from stainless steel dispense tube located under the right side of the control panel. The hot water is not dispensed from the center of the recess area.

## Hot Water (Cont.)

### To Use Hot Water Dispenser

- Press HOT WATER button.
- Select desired water temperature on the LCD screen (90, 150, 170, 185, or Custom).\*
- \*If selecting “Keurig K-Cup Pod”, the hot water system will change into K-Cup mode. See page 14 for K-Cup mode instructions.
- When hot water is ready (indicated on the screen and by a beeping sound) hold container with left hand centered in the recess under the spout.
- To dispense water, rotate the hot water knob counterclockwise and then push it in. The knob must be held in during dispense.

### Important Facts about HOT WATER

#### ▲ WARNING



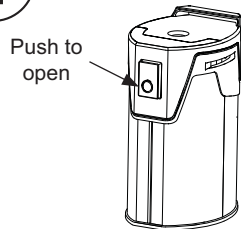
#### Scalding Hazard

- See Hot Water Warning: Scalding Hazard above.
- Do not permit children to use the brewer.
- Always use a container that is suitable for hot liquids (ceramic, foam, etc.)
- Do not brew into a mug made of glass. Doing so may cause the glass to crack or break.

## Single Serve Keurig K-Cup Brewer

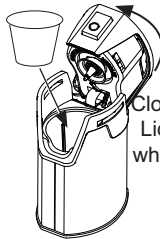
### How to use the single serve dispenser

#### 1 Load Keurig K-Cup into brewer.



Push to open

Drop K-Cup into brewer and press down firmly.



Close brewer. Lid will click when secure.

#### ▲ CAUTION

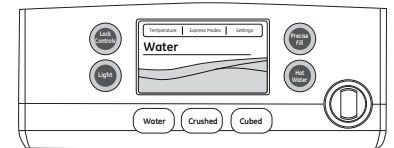
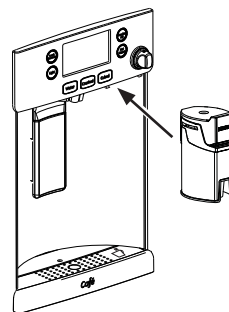


#### Cut/Puncture Hazard.

- There are two sharp needles located inside the K-Cup brewer. To avoid risk of injury, do not put your fingers inside the brewer. Use caution when cleaning.
- Keep the K-Cup brewer out of the reach of children, as they may be injured in using the K-Cup brewer incorrectly.

#### 2 Two ways to brew:

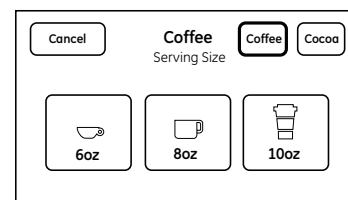
1. Press Hot Water. Select K-Cup Pod.
- OR
2. Slide the brewer into the rails.



Rails for the brewer

#### 3 Pick your size.

**NOTICE:** If using a powdered beverage, select the Cocoa setting.



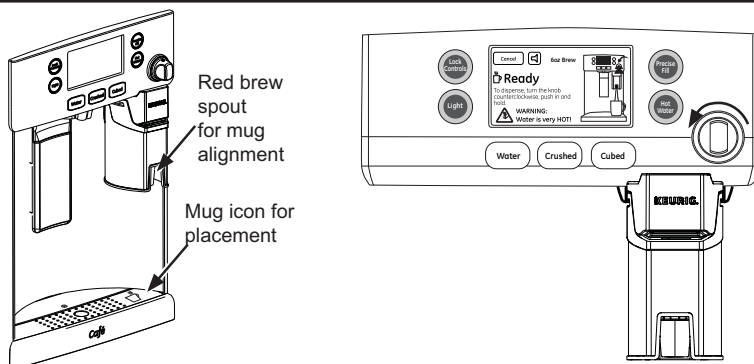
#### 4 Place your mug under the brewer (on the tray mug icon and under the red brew spout).

**NOTICE:** Make sure the mug being used is large enough for the size selected.

#### 5 Rotate the hot water knob counterclockwise and push in to brew and dispense.

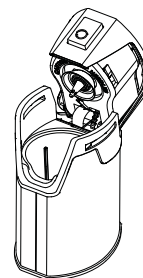
**NOTICE:** Press any button or dispenser paddle, or open either the left or right door to cancel dispense.

# Single Serve Keurig K-Cup Brewer (Cont.)



## Cleaning the brewer

- The K-Cup brewer is **dishwasher safe**. To clean it, open the lid and place the K-Cup brewer in the top rack of your dishwasher and run in a normal wash cycle.
- To maximize performance of your brewer, it is recommended to rinse it thoroughly after washing to remove all soap residue.
- Periodic cleaning of dispenser recess area is recommended as staining may occur with usage of the K-Cup brewer.

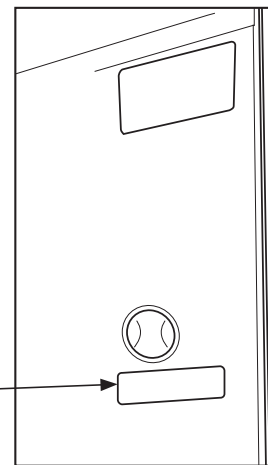
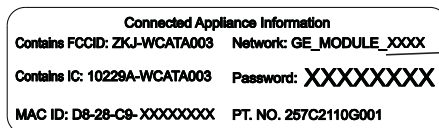


## Appliance Communication

### WiFi Connect (for customers in the United States, its territories, and Canada)

#### WiFi Connect Enabled\*

If your refrigerator has a Connected Appliance information label located on the inside as shown, your refrigerator can be connected to your WiFi network, allowing it to communicate with your smart phone for remote monitoring, control and notifications. Depending on the refrigerator model you have, you either have a WiFi communication card built into the product, or a port for an external WiFi ConnectPlus Module (sold separately). Please visit [cafeappliances.com/connect](http://cafeappliances.com/connect) to learn more about connected appliance features, and to learn what connected appliance apps will work with your Smart Phone.



## REGULATORY INFORMATION

### FCC/IC Compliance Statement:

This device complies with Part 15 of the FCC Rules. Operation is subject to the following two conditions:

1. This device may not cause harmful interference, and
2. This device must accept any interference received, including interference that may cause undesired operation.

This equipment has been tested and found to comply with the limits for a Class B digital device, pursuant to Part 15 of the FCC Rules. These limits are designed to provide reasonable protection against harmful interference in a residential installation. This equipment generates uses and can radiate radio frequency energy and, if not installed and used in accordance with the instructions, may cause harmful interference to radio communications. However, there is no guarantee that interference will not occur in a particular installation. If this equipment does cause harmful interference to radio or television reception, which can be determined by turning the equipment off and on, the user is encouraged to try to correct the interference by one or more of the following measures:

- Reorient or relocate the receiving antenna.
- Increase the separation between the equipment and receiver.
- Connect the equipment into an outlet on a circuit different from that to which the receiver is connected.
- Consult the dealer or an experienced radio/television technician for help.

**Labelling:** Changes or modifications to this unit not expressly approved by the manufacturer could void the user's authority to operate the equipment.

\*Select Models Only



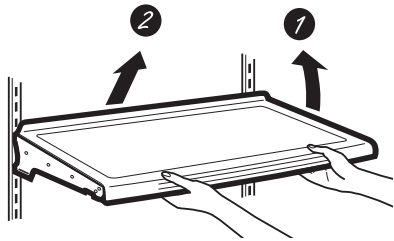
# Fresh Food Storage Options

## Rearranging the Shelves

Shelves in the refrigerator compartment are adjustable.

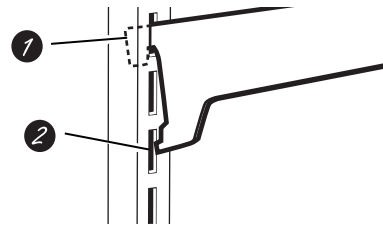
**To remove:**

- 1 Remove all items from the shelf.
- 2 Tilt the shelf up at the front.
- 3 Lift the shelf up at the back and bring the shelf out.



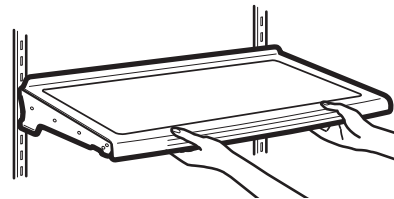
**To replace:**

- 1 While tilting the shelf up, insert the top hook at the back of the shelf in a slot on the track.
- 2 Lower the front of the shelf until the bottom of the shelf locks into place.



## Spillproof Shelves

Spillproof shelves have special edges to help prevent spills from dripping to lower shelves.

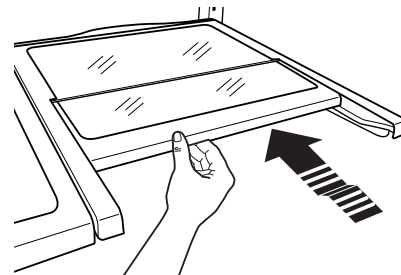


## Quick Space Shelf \*

This shelf splits in half and slides under itself for storage of tall items on the shelf below.

This shelf can be removed and replaced or relocated (just like spillproof shelves).

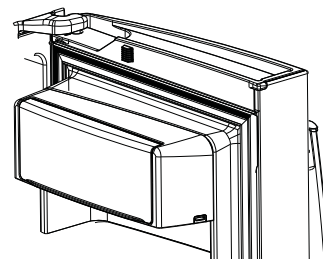
**NOTE:** The back half of the Quick Space Shelf is not adjustable.



## Non-Adjustable Dairy Bin\*

**To remove:** Lift the dairy bin straight up, then pull out.

**To replace:** Engage the bin in the molded door supports and push down. The bin will lock in place. See page 36.



\*Select Models Only

# Fresh Food Storage Options

## Adjustable Bins on the Door

Adjustable bins can easily be carried from refrigerator to work area.

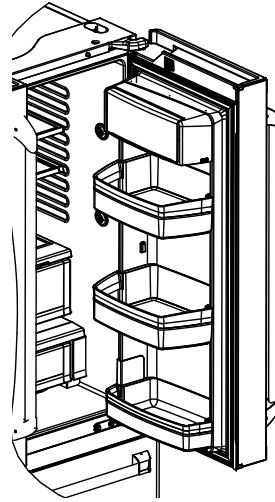
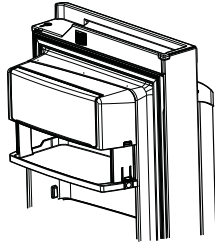
**To remove:** Lift bin straight up, then pull out.

**To replace or relocate:** Slide in the bin just above the molded door supports, and push down. The bin will lock in place.

### Drop down tray \*

(tray open)

1. Open right fresh food door
2. Depress both buttons on lower sides of bin and bin will drop down.
3. Reverse to reinstall.

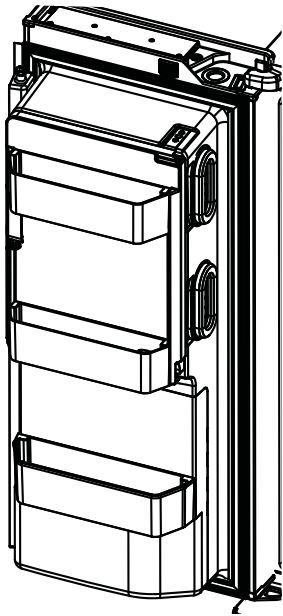


## Non-Adjustable Bins on the Door (Dispenser Models - Left Hand Door)

**To remove:** Lift the bin straight up, then pull out.

**To replace:** Engage the bin in the molded supports on the door and push down. It will lock in place.

The ice maker door bins are not interchangeable, note the location upon removal and replace the bin in its proper location.



## Non-Dispense Models (Left Hand Door)



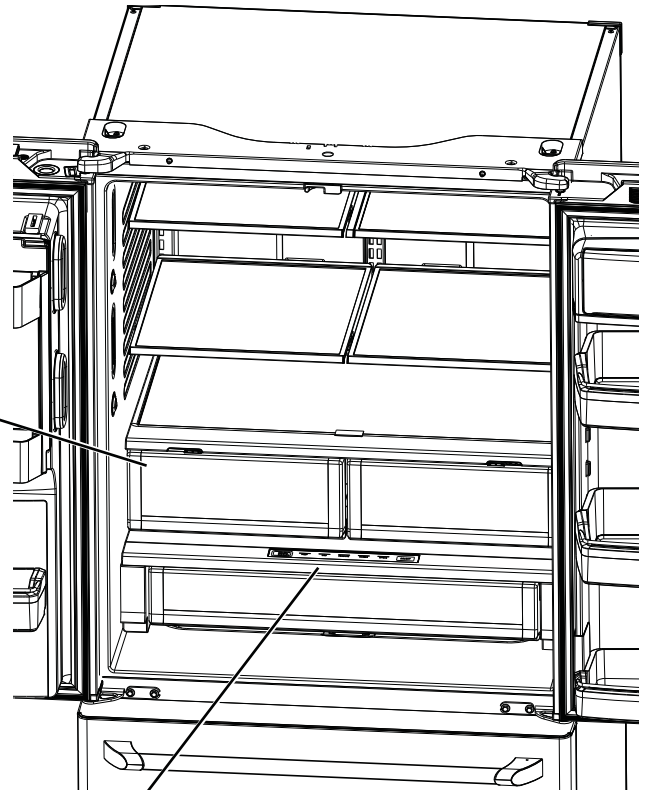
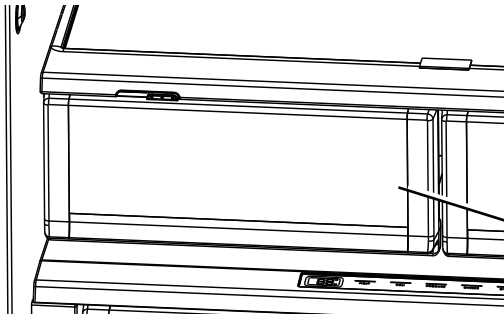
\*Select Models Only

# Climate Zone & Temperature Controlled Drawer

## ClimateZone

Keep fruits and vegetables organized in separate compartments for easy access.

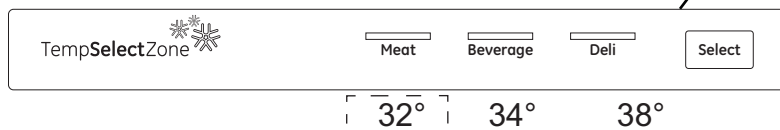
Excess water that may accumulate in the bottom of the drawers or under the drawers should be wiped dry.



## Temperature Controlled Drawer

The Temperature Controlled Drawer is a full-width drawer with adjustable temperature control. This drawer can be used for large miscellaneous items.

To change setting, press select button.



**NOTE:** Temperatures indicate the appropriate temperatures for the food and actual temperatures may vary based on normal operation and other factors such as door openings and fresh food set point.

**⚠ CAUTION**

**Laceration Hazard.**

Do not store glass bottles at this setting. If they are frozen, they can break and result in personal injury.

# Climate Zone & Temperature Controlled Drawer

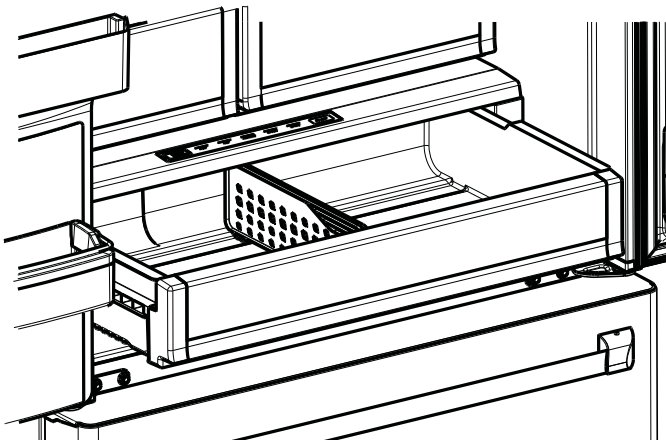
## How to Remove and Replace Drawer

### To remove:

- 1 Pull the drawer out to the stop position.
- 2 Lift the front of the drawer up and out.

### To replace:

- 1 Pull left and right slides until fully extended.
- 2 Place drawer back in first and rotate drawer front down to seat on slide.
- 3 Push the drawer in to closed position.



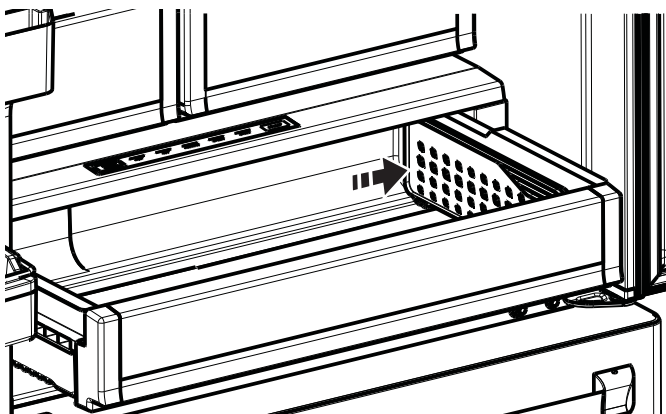
## How to Remove and Replace Drawer Divider\*

### To remove:

- 1 Pull the drawer out to the stop position.
- 2 Slide pan divider to right to release it from pan.

### To replace:

Reverse steps 1 and 2 to replace drawer divider.

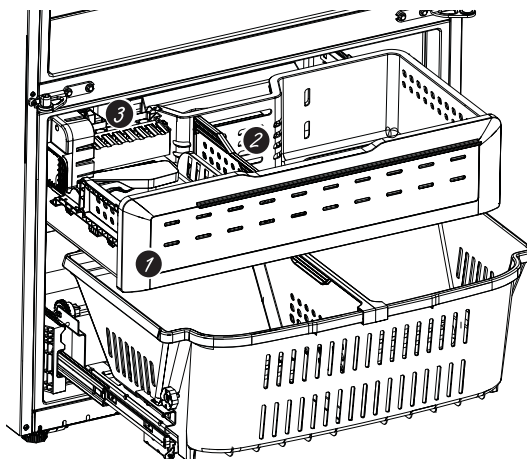


\*Select Models Only

## Baskets, Drawers, and Bins

### Freezer Basket and Drawer

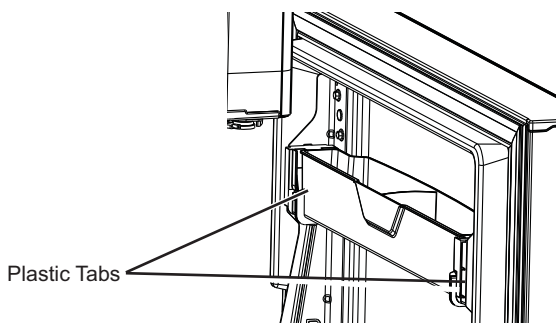
- ① Basket
- ② Drawer
- ③ Ice Bucket\*



### Non-Adjustable Bin in the Freezer

**To remove:** Push in plastic tab on either left or right side.

**To replace:** Slide bin into location until it locks into place.



### Basket Removal

**To remove, CFE only:**

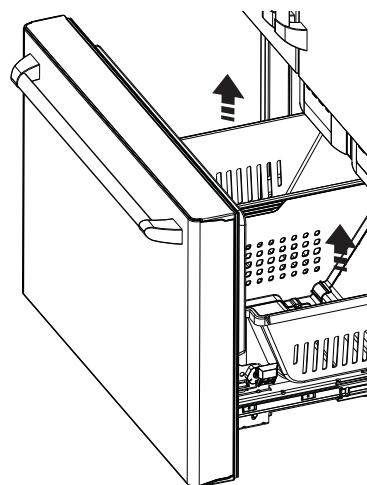
1. Open freezer door to the stop position.
2. Remove freezer door bin by pushing plastic tab on either left or right side to release bin hinge pin.
3. Remove freezer basket by lifting up the rear of the basket and moving basket rearward until the front of the basket can be rotated upward and out.
4. Lift it out to remove.

**To remove, CYE and CWE only:**

1. Open fresh food doors.
2. Open freezer door to the stop position.
3. Remove freezer basket by lifting up the rear of the basket and rotate it upward.
4. Lift it out to remove.

**To replace:**

Reverse step 1 thru 4 to replace.



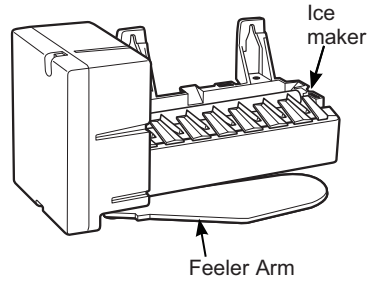
\*Select Models Only

# Automatic Ice Maker

A newly installed refrigerator may take 12 to 24 hours to begin making ice.

**⚠ WARNING** Connect to potable water supply only.

A cold water supply is required for automatic icemaker operation. The water pressure must be between 40 and 120 psi (275-827 kilopascals).



## Automatic Ice maker\*

The ice maker will produce seven cubes per cycle approximately 100–130 cubes in a 24-hour period, depending on freezer compartment temperature, room temperature, number of door openings and other use conditions.

The ice maker will fill with water when it cools to 15°F (–10°C). A newly installed refrigerator may take 12 to 24 hours to begin making ice cubes.

If the refrigerator is operated before the water line connection is made to the unit or if the water supply to an operating refrigerator is turned off, make sure that the ice maker is turned off. Once the water has been connected to the refrigerator, the ice maker may be turned on. See the table below for details.

You may hear a buzzing sound each time the ice maker fills with water.

Throw away the first bin of ice to allow the water line to clear. It is normal for ice to appear discolored in the first 24 hours of production, or after water filter replacement.

Be sure nothing interferes with the sweep of the feeler arm.

When the bin fills to the level of the feeler arm, the ice maker will stop producing ice. It is normal for several cubes to be joined together.

If ice is not used frequently, old ice cubes will become cloudy, taste stale and shrink.

**NOTE:** In homes with lower-than-average water pressure, you may hear the ice maker cycle multiple times when making one batch of ice.

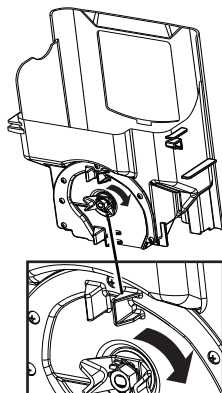
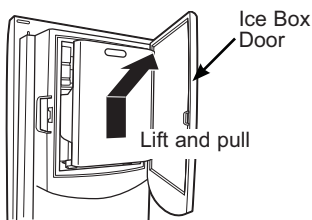
**⚠ CAUTION** To minimize the risk of personal injury, avoid contact with the moving parts of the ejector mechanism, or with the heating element that releases the cubes. Do not place fingers or hands on the automatic ice making mechanism while the refrigerator is plugged in.

### How to Turn the Ice Maker On/Off

Display Type (See Page 8)	Model #	How to turn the ice maker on/off
Control Style A	CYE/CFE	Use the settings menu on the touchscreen
Control Style B	CWE	Use the "ICE MAKER" button on the control

## Ice Bucket and Dispenser\*

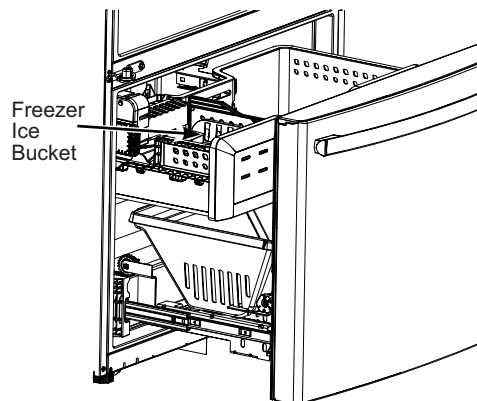
- Open the ice box door on inside of the left door.
- Pull up and out on the ice bucket in the left hand door to remove it from the compartment.
- To replace the ice bucket, set it on the guide brackets and push until the ice bucket seats properly.
- If bucket cannot be replaced, rotate the ice bucket fork 1/4 turn clockwise.



## Freezer Ice Bucket\*

The ice storage is in the freezer compartment drawer.

- Open the freezer drawer.
- The ice bucket is located on the left side of the upper basket.
- Pull the upper basket forward to remove the ice bucket.



\*Select Models Only

# Care and Cleaning

## Cleaning the Outside

### Directions for Cleaning Outside Surfaces, Door Handles, and Trim

DO USE	DO NOT USE
Soft, clean cloth or sponge	Abrasive cloths, scrubbing sponges, scouring or steel wool pads
Mild detergent mixed with warm water Approved stainless steel cleaners; Visit the Café Appliances parts store for approved stainless steel cleaners: <a href="http://cafeappliances.com/parts">cafeappliances.com/parts</a>  Cleaners with oxalic acid such as Bar Keepers Friend Soft Cleanser™ can be used to remove surface rust, tarnish and small blemishes on stainless steel surfaces only.	Abrasive powders or sprays Window Sprays or Ammonia Citrus or plant oil-based cleaners Acidic or vinegar-based cleaners Oven cleaners Cleaners containing acetone (propanone) Any cleaner with WARNING about plastic contact

**NOTE: DO NOT** allow stainless steel cleaner to come in contact with any plastic parts such as trim pieces, handle hardware and liners. If unintentional contact of cleaners with plastic parts does occur, clean plastic part with a sponge and mild detergent mixed with warm water.

## Cleaning the Inside

### Unplug the refrigerator before cleaning.

If this is not practical, wring excess moisture out of sponge or cloth when cleaning around switches, lights or controls.

Use an appliance wax polish on the inside surface between the doors.

Use warm water and baking soda solution—about a tablespoon (15 ml) of baking soda to a quart (1 liter) of water. This both cleans and neutralizes odors. Rinse and wipe dry.

### ⚠ CAUTION

Do not clean glass shelves or covers with warm water when they are cold. Glass shelves and covers may break if exposed to sudden temperature changes or impact such as bumping or dropping. Tempered glass is designed to shatter into many small pieces if it breaks.

Do not wash any plastic refrigerator parts in the dishwasher.

## Behind the Refrigerator

Be careful when moving the refrigerator away from the wall. All types of floor coverings can be damaged, particularly cushioned coverings and those with embossed surfaces.

Raise the leveling legs located at the bottom front of the refrigerator.

Pull the refrigerator straight out and return it to position by pushing it straight in. Moving the refrigerator in a side direction may result in damage to the floor covering or refrigerator.

Lower the leveling legs until they touch the floor.

### ⚠ WARNING



### ELECTRICAL SHOCK HAZARD

When pushing the refrigerator back, make sure you don't roll over the power cord or water supply line.

# Care and Cleaning

## Preparing for Vacation

For long vacations or absences, remove food and unplug the refrigerator. Clean the interior with a baking soda solution of one tablespoon (15 ml) of baking soda to one quart (1 liter) of water. Leave the doors open.

**LCD Models:** turn refrigerator off at control .

If the temperature can drop below freezing, have a qualified service technician drain the water supply system to prevent serious property damage due to flooding.

1. Turn refrigerator off or unplug the refrigerator.
2. Empty ice bucket
3. Turn water supply off

**If you cut the water supply off, turn off the ice maker.**

Upon returning from vacation:

1. Replace the water filter.
2. Run 2 gallons (7.57 liters) of water through the cold water dispenser (about 5 minutes) to flush the system.
3. Dispense 185°F (85°C) hot water 3 times (10 oz. each) to flush the system.

## Preparing to Move

Secure all loose items such as shelves and drawers by taping them securely in place to prevent damage.

When using a hand truck to move the refrigerator, do not rest the front or back of the refrigerator against the hand truck. This could damage the refrigerator.

Handle only from the sides of the refrigerator.

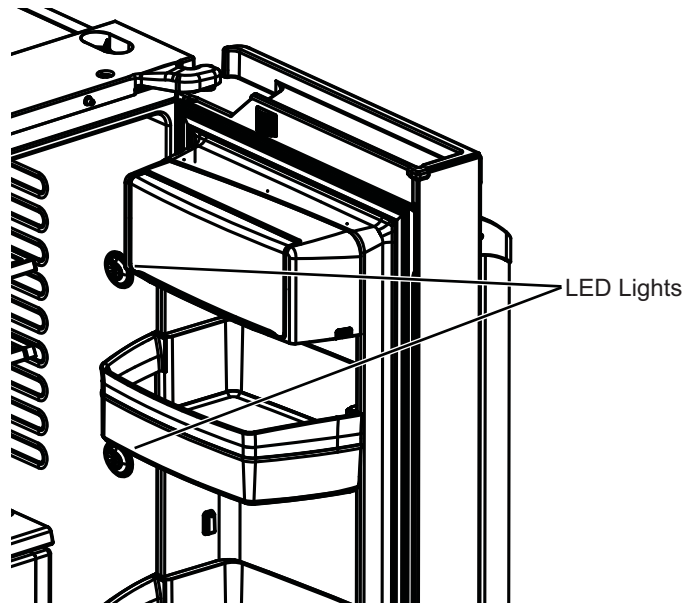
Be sure the refrigerator stays in an upright position during moving.

## Refrigerator Lights (LEDs)

There is LED lighting in fresh food compartment and on the bottom of the fresh food doors to light the freezer compartment.

An authorized technician will need to replace the LED light.

If this assembly needs to be replaced, schedule service on-line at [cafeappliances.com/service](http://cafeappliances.com/service).





# Installation Instructions

## Bottom Freezer Refrigerator

Questions? Visit our Website at: [cafeappliances.com](http://cafeappliances.com)  
 In Canada, visit [cafeappliances.ca](http://cafeappliances.ca)

### BEFORE YOU BEGIN

Read these instructions completely and carefully.

**⚠ WARNING**  **Tip Over Hazard.**

If an anti-tip floor bracket was included with your refrigerator, install it to prevent the refrigerator from tipping forward, which could result in death or serious injury. Read and follow the entire installation instructions for installing the anti-tip floor bracket packed with your refrigerator.

- **IMPORTANT** — Observe all governing codes and ordinances. Save these instructions for local inspector's use.
- **Note to Installer** – Be sure to leave these instructions with the Consumer.
- **Note to Consumer** – Keep these instructions for future reference.
- **Skill level** – Installation of this appliance requires basic mechanical skills.
- **Completion time** – Refrigerator Installation can vary  
 Water Line Installation 30 minutes
- Proper installation is the responsibility of the installer.
- Product failure due to improper installation is not covered under the Warranty.

### PREPARATION

#### MOVING THE REFRIGERATOR INDOORS

If the refrigerator will not fit through a doorway, the refrigerator door and freezer drawer can be removed.

- To remove the refrigerator door, see the Installing the Refrigerator section.
- To remove the freezer drawer, see the Removing the Freezer Drawer section.

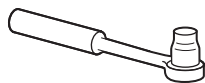
#### WATER SUPPLY TO THE ICE MAKER AND DISPENSER

If the refrigerator has an ice maker, it will have to be connected to a cold water line. A Café water supply kit (containing tubing, shutoff valve, fittings and instructions) is available at extra cost from your dealer, by visiting our website at [cafeappliances.com/parts](http://cafeappliances.com/parts). In Canada, visit [cafeappliances.ca/parts](http://cafeappliances.ca/parts).

### TOOLS YOU MAY NEED



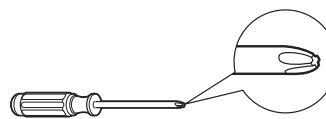
Adjustable Wrench



3/8" Socket Ratchet/Driver  
 8mm (5/16") Socket Ratchet/Drivers



1/8", 3/32", 1/4" & 5/32" Allen (Hex) Wrenches



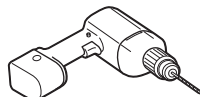
Phillips-Head Screwdriver



1/4" Outer Diameter Compression Nut and Ferrule (sleeve)



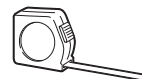
Pencil



1/8" Drill Bit and Electric or Hand Drill



1/4" Nut Driver



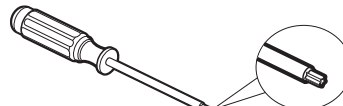
Tape Measure



Pliers



Flat-Head Screwdriver



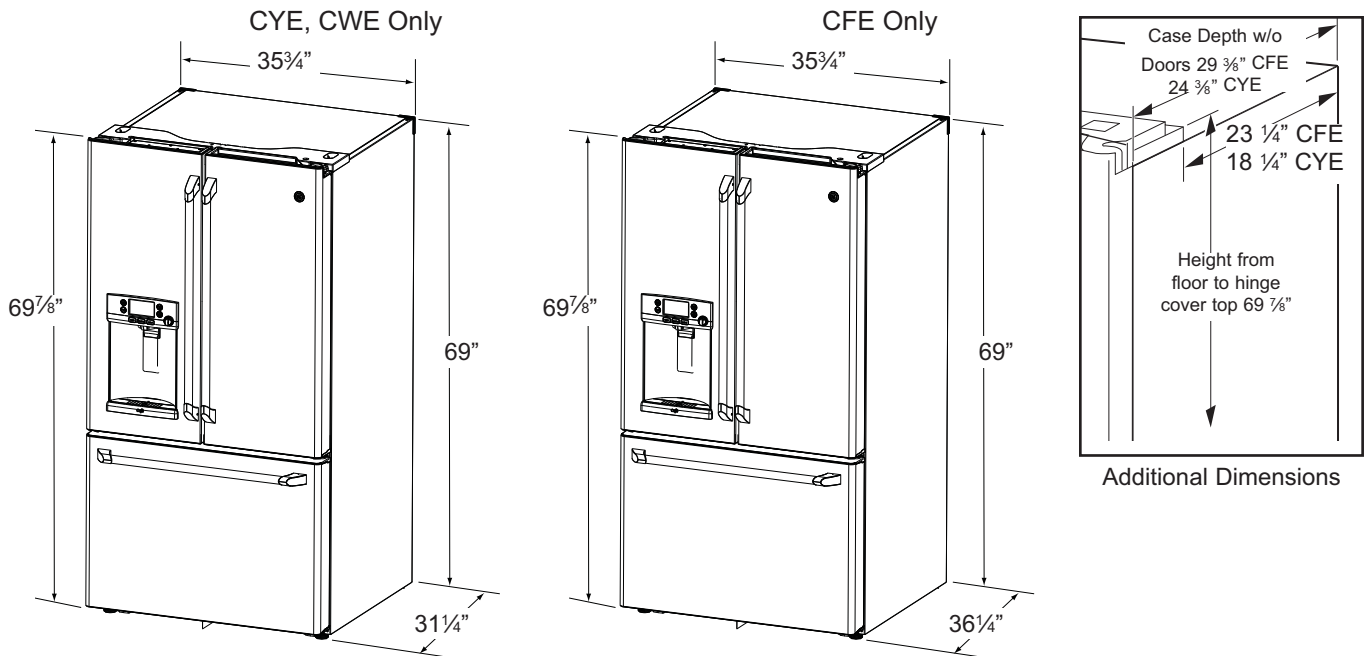
Torx T20, T25, T27



Level

# Installation Instructions

## DIMENSIONS All measurements are given with leveling leg fully retracted.



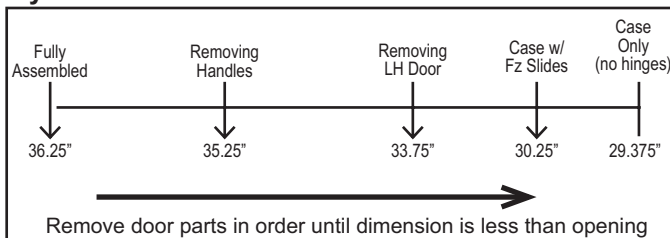
	CFE	CYE, CWE
<b>Overall Height to Top of Hinge Cover</b>	69 <sup>7</sup> / <sub>8</sub> "	69 <sup>7</sup> / <sub>8</sub> "
<b>Height to Top of Cabinet</b>	69"	69"
<b>Case Depth without Doors</b>	29 <sup>3</sup> / <sub>8</sub> "	24 <sup>3</sup> / <sub>8</sub> "
<b>Overall Exterior Case Width</b>	35 <sup>3</sup> / <sub>4</sub> "	35 <sup>3</sup> / <sub>4</sub> "
<b>Overall Exterior Depth Doors/ Drawers with Handles</b>	36 <sup>1</sup> / <sub>4</sub> "	31 <sup>1</sup> / <sub>4</sub> "

## MOVING THE REFRIGERATOR

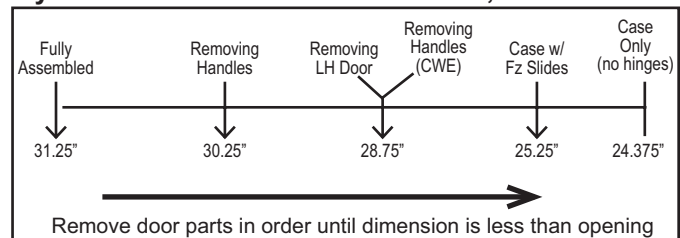
- Using the chart below determine if the width of your passageway can accommodate the depth of the refrigerator. Ensure you have clearance to prevent damage to the refrigerator before safely moving it to the final location.
- If passageways are large enough to accommodate the refrigerator without removing the handles skip to Step 6. Leave tape, film and all packaging on doors until the refrigerator is in the final location.

**NOTE: Use a padded hand truck or moving straps to move this refrigerator. Place the refrigerator on the hand truck with a side against the truck. We strongly recommend that two people move and complete this installation.**

### If your model number starts with CFE



### If your model number starts with CYE, CWE



# Installation Instructions

## INSTALLING THE REFRIGERATOR

### REFRIGERATOR LOCATION

- Do not install the refrigerator where the temperature will go below 60°F (16°C) because it will not run often enough to maintain proper temperatures.
- Do not install the refrigerator where the temperature will go above 100°F (37°C) because it will not perform properly.
- Do not install the refrigerator in a location exposed to water (rain, etc.) or direct sunlight.
- Install it on a floor strong enough to support it fully loaded.

### CLEARANCES

Allow the following clearances for ease of installation, proper air circulation and plumbing and electrical connections.

Sides	1/8" (3 mm)	
Top	1" (25 mm)	Cabinet/Hinge Cover
Back	2" (50 mm)	

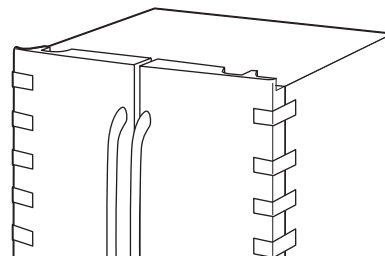
### REMOVING THE REFRIGERATOR DOORS

- **IMPORTANT NOTE:** This refrigerator is 35 1/4" deep (30 1/4" for CYE, CWE models) without handles. Doors and passageways leading to the installation location must be at least 35 1/4" (30 1/4" for CYE, CWE models) wide in order to leave the doors and handles attached to the refrigerator while transporting it into the installation location. If passageways are less than 35 1/4" (30 1/4" for CYE, CWE models), the refrigerator doors and handles can easily be scratched and damaged. The top cap and doors can be removed to allow the refrigerator to be safely moved indoors. If passageways are less than 35 1/4" (30 1/4" for CYE, CWE models), start with Step 1.
- If it is not necessary to remove doors, skip to Step 11. Leave tape and all packaging on doors until the refrigerator is in the final location.
- **NOTE:** Use a padded hand truck to move this refrigerator. Place the refrigerator on the hand truck with a side against the truck. We strongly recommend that **TWO PEOPLE** move and complete this installation.

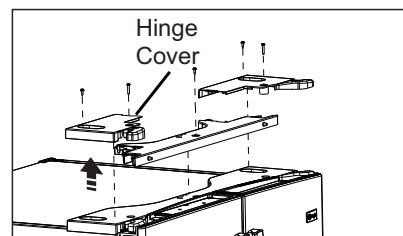
### 1 REMOVE THE REFRIGERATOR DOORS

**▲WARNING** Follow all steps for removing and reinstalling the door. Failure to follow these instructions, leaving off parts, or overtightening screws, can lead to the door falling off and result in injury and property damage.

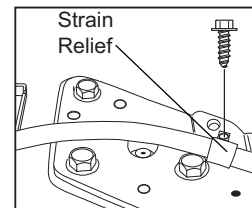
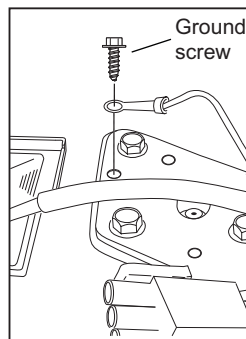
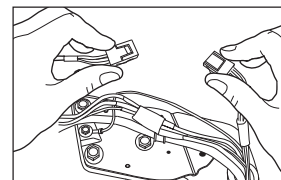
- A** Securely tape the door shut with masking tape or have a second person support the door.



- B** Start with left-hand door first: Remove the hinge cover on top of the left refrigerator door by removing all hex screws and pulling it up. Do the same for the right-hand door and the middle cover.



- C** Disconnect both electrical connectors at the top cover. Remove the 1/4" hex head screw to disconnect the ground wire from the hinge. Remove the 1/4" hex head screw to remove the strain relief from the water line.

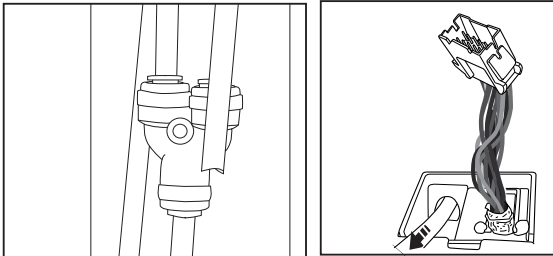


# Installation Instructions

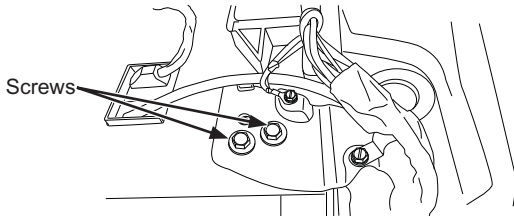
## INSTALLING THE REFRIGERATOR (Cont.)

### 1 REMOVE THE REFRIGERATOR DOORS (cont)

- D** Disconnect the water line from the back of the unit by pressing down on the dark grey collar while pulling up on the water line. Pull waterline through case conduit from the top to free the line for door removal. The water line is more than 4' long and may need to be taped to Door for accessibility when reinstalling.



- E** Using a 3/8" or 8mm (5/16") socket ratchet/driver, remove the screws securing the top hinge to the cabinet, then lift the hinge straight up to free the hinge pin from the location in the top of the door.



#### **CAUTION** Lifting Hazard.

Single person lift could cause injury. Use assistance when handling, moving or lifting the refrigerator doors.

**NOTE:** when removing door, to prevent damage to door and electronics, carefully place the door in a proper location.

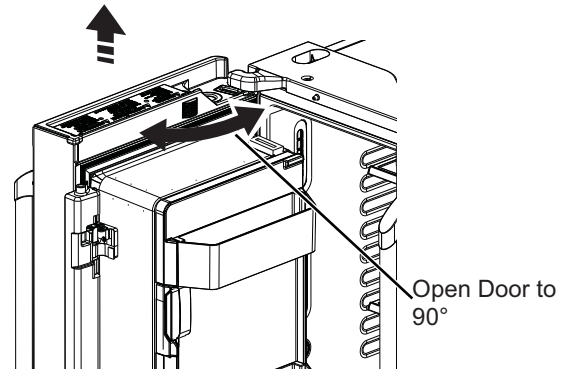
**NOTE:** On some models, the lower door hinge pin and hinge are keyed and must be matched correctly for the door to self close properly. Please follow the directions carefully.

### 1 REMOVE THE REFRIGERATOR DOORS (cont)

**NOTE:** for proper installation later, please follow the next step carefully.

- F** Fresh Food doors to be **REMOVED** and **INSTALLED** opened at 90° with case front.

Lift up & off center hinge

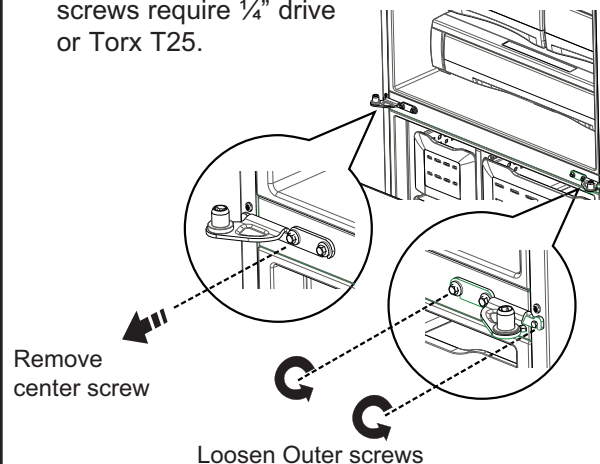


#### REMOVE OPPOSITE DOOR

Follow the same procedure on the opposite door. There are no wires or water lines on the opposite side

### 2 REMOVE CENTER HINGE (if necessary)

Remove the screws securing the center hinge to the cabinet. Inner larger screw needs either 3/8", 8mm (5/16"), Philips #2, or T27. Outer smaller screws require 1/4" drive or Torx T25.



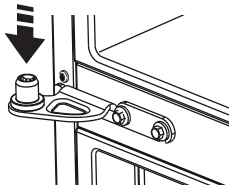
# Installation Instructions

## INSTALLING THE REFRIGERATOR (Cont.)

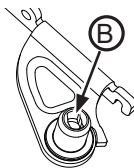
### 3 REINSTALLING THE REFRIGERATOR DOORS

Reverse steps 1 through 4 to reinstall refrigerator, follow details below for critical alignments.

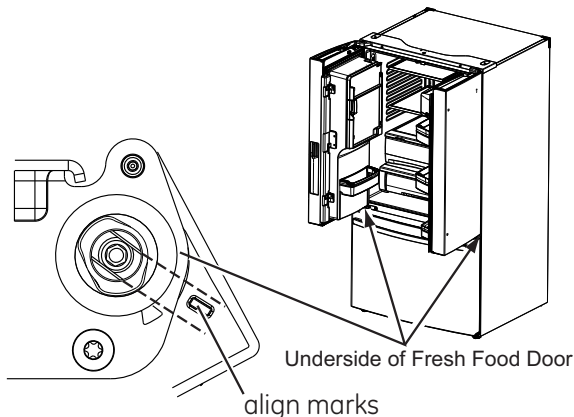
- A** Reinstall center hinge first and torque the large screws to 65 in-lbs (7.34 N-m) and small screw to 25 in-lbs (2.82 N-m). Rotating the screw by 1/3 turn after it is flush with mating surface will achieve these torques.



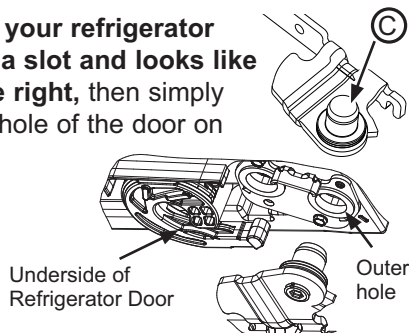
- B** If the hinge on your refrigerator has a slot that looks like image B on the right, follow the steps below. Otherwise, skip to step C.



With the LH door at 90° + to the front of the case, lower the refrigerator door. Ensure the door and hinge align correctly. Rotate door closed and make sure moveable center sealing portion of the door aligns with the striker. If door cannot be installed at 90°, follow these next steps. Install door at 90° to case front. If space or model limits opening door to less than 180°, remove door and carefully turn door upside down. Check alignment of the door. There is an alignment mark on the door closure mechanism that corresponds to an alignment mark on the bottom end cap. Rotate door closure mechanism to align mark and arrow.



- C** If the hinge on your refrigerator does not have a slot and looks like image C on the right, then simply lower the outer hole of the door on the hinge pin.

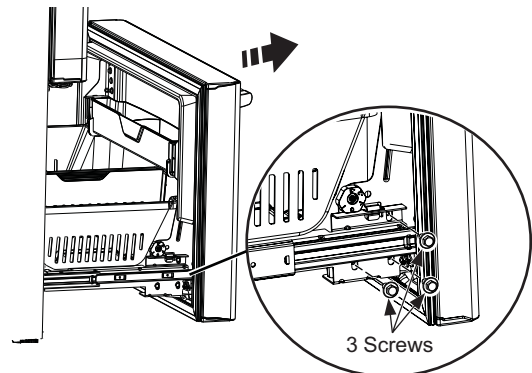


### 3 REINSTALLING THE REFRIGERATOR DOORS (cont.)

- D** Securely tape the door shut with masking tape or have a second person support the door.
- E** Follow the same procedure to install the opposite door. There are no wires, water lines or center hinge covers on the opposite door.
- F** Be sure to reinstall the ground wire and strain relief to the top hinge.
- G** Reinstall hinge cover. **NOTE:** Ensure wires are not pinched or under screw bosses before tightening screws.

### 4 REMOVE THE FREEZER DOOR

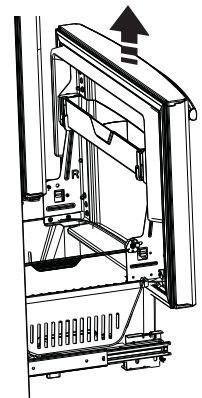
- A** Pull the freezer door open to full extension.
- B** Remove 3 attachment screws, located at the bottom on each side of the freezer door using a 3/8" or 8mm (5/16") hex socket driver.



#### **CAUTION** Lifting Hazard

Freezer door is heavy Use both hands to secure the door before lifting.

- C** Lift the freezer door to disengage it from the slide mechanism
- The door can safely rest on the bottom. Do not rest the door on any other surfaces to avoid scratches.
- Push the slide mechanism back completely until it self retracts.

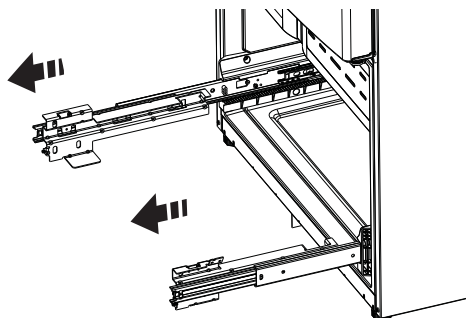


# Installation Instructions

## INSTALLING THE REFRIGERATOR (Cont.)

### 5 REPLACING THE FREEZER DOOR DOOR

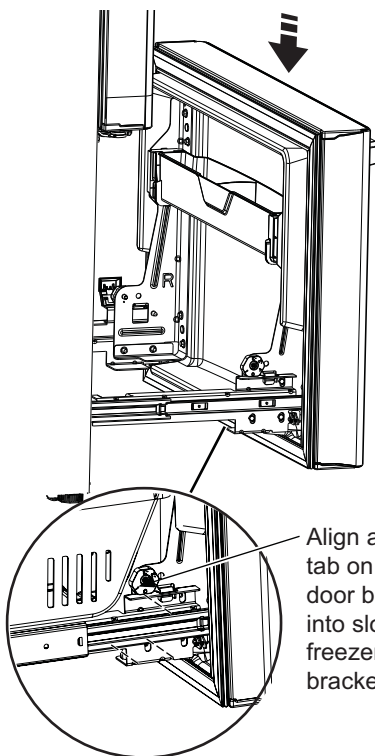
- A** Pull the slide Mechanism to full extension using both hands simultaneously.
- B** Remove the basket resting on the slides.



#### **CAUTION** Lifting Hazard

Freezer door is heavy Use both hands to secure the door before lifting.

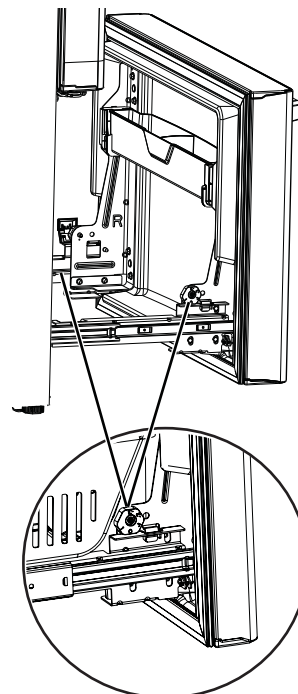
- C** Lift the freezer door and place it on the slide mechanism



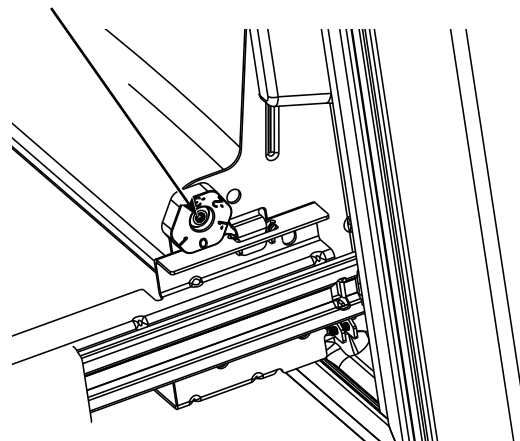
Align and insert tab on freezer door bracket into slot on freezer slide bracket.

- D** Replace the attachment screws and torque the screws to 65 in-lb (7.34 N-m).
- E** For adjusting freezer door gaps, follow the instructions on pg 30.
- F** Replace the basket

### 6 LEVEL THE FREEZER DOOR



- A** Locate the height adjuster cam in the freezer door. Slightly loosen the three door attachment screws on both sides using a  $\frac{3}{8}$ " or 8mm ( $\frac{5}{16}$ " ) hex socket driver.
- B** Locate and loosen the cam screw using a T27 Torx or a 8mm ( $\frac{5}{16}$ " ) hex socket driver.



# Installation Instructions

## INSTALLING THE REFRIGERATOR (Cont.)

### Instructions for adjusting freezer door gaps:

**IMPORTANT!**

The 6 mounting screws (3 on each side) are **NOT** interchangeable with the center or top hinge screws. Drawer screws have flat washer heads, and other screws have lines/ribs on washer heads.

After installation of the freezer door, check for uniform gaps (top and bottom of right and left hand side) with the template provided.

In the event of excessive gaps use the following steps to adjust the freezer door.

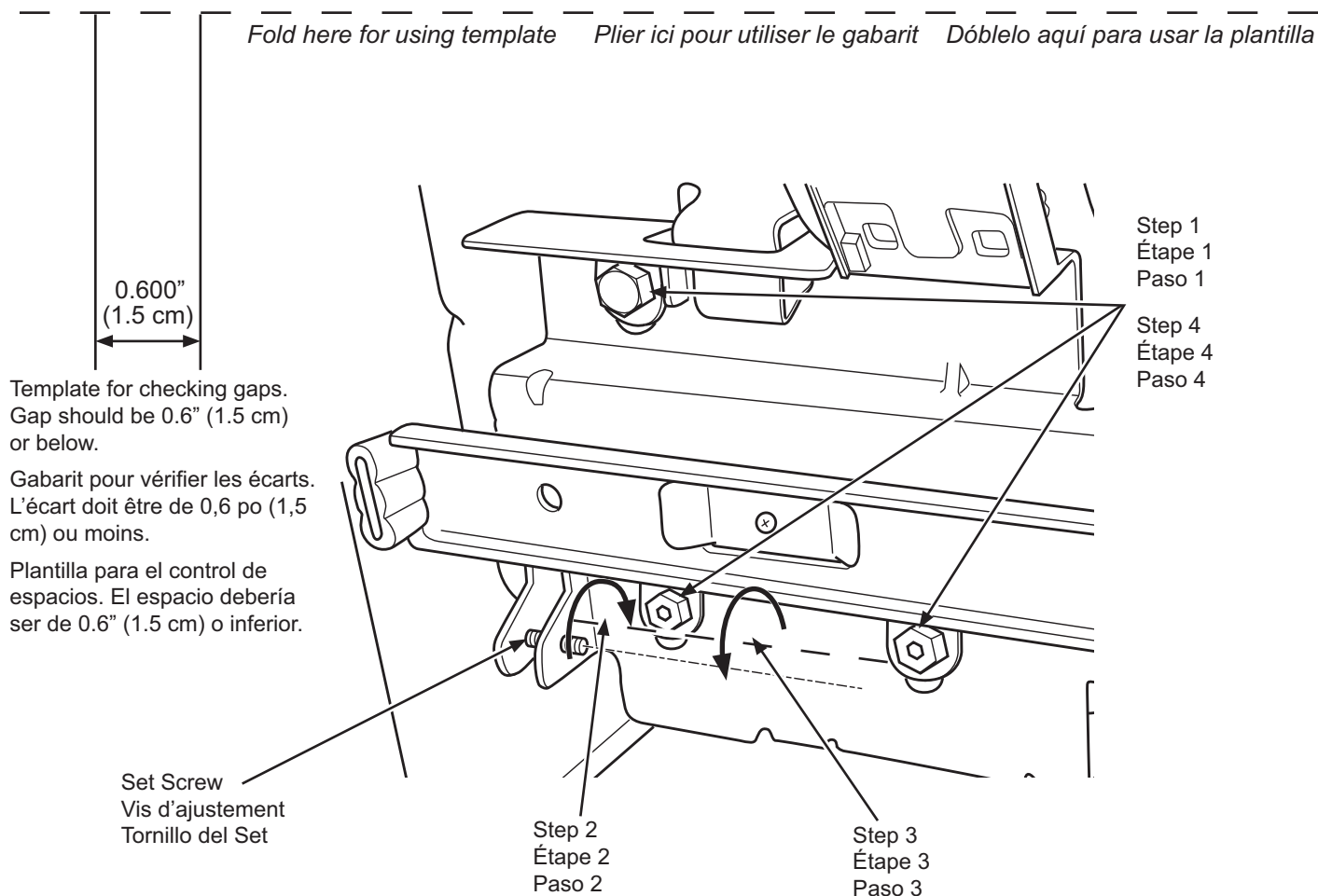
**Step 1** - Loosen the 3 screws on each side (right and left) of the freezer door.

**Step 2** - Adjust set screw clockwise if gap at the top is too big (see template). Turn the set screw using 3/32" hex key clockwise by quarter to half a rotation

**Step 3** - Adjust set screw counter-clockwise if gap at the bottom is too big (see template). Turn the set screw using 3/32" hex key counter-clockwise by quarter to half a rotation

**Step 4** - Tighten the 3 screws on each side (right and left).

**Step 5** - Re-check the gaps using the template and repeat steps 1 to 4 if required and complete with step 5.

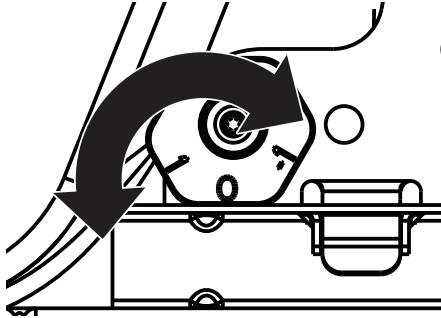


# Installation Instructions

## INSTALLING THE REFRIGERATOR (Cont.)

### 6 LEVEL THE FREEZER DOOR (cont.)

- C Lift the door on the side requiring adjustment, rotate the cam to required position.



- 0 - Initial position
- 1 - Lift by 0.050" (0.127 cm)
- 1 - Lower by 0.050" (0.127 cm)
- 2 - Lower by 0.100" (0.254 cm)
- 3 - Lower by 0.150" (0.381 cm)

- D After adjustment tighten the 3 attachment screws using to 65 in-lb (7.34 N-m).

### 7 REFRIGERATOR AND FREEZER HANDLE INSTALLATION (CONT.)

Handle appearance may vary based on model; however, the installation process is the same.

- A Remove any protective film from the door or drawer fronts before installing handles (if applicable).
- B Remove handle from packaging and locate the provided 1/8" hex key.
- C Place the handle over the mounting fasteners until it is flush against the surface of the door.
- D Tighten both set screws in the handle end caps by turning the 1/8" hex key clockwise until the handle will not hang loose or fall from its mounting. Do not fully tighten yet.
- E **IMPORTANT:** Hold the handle firmly against the door, make sure there are no gaps between the handle end caps and the door, and fully tighten the set screws.

To remove the handles, reverse the installation process.

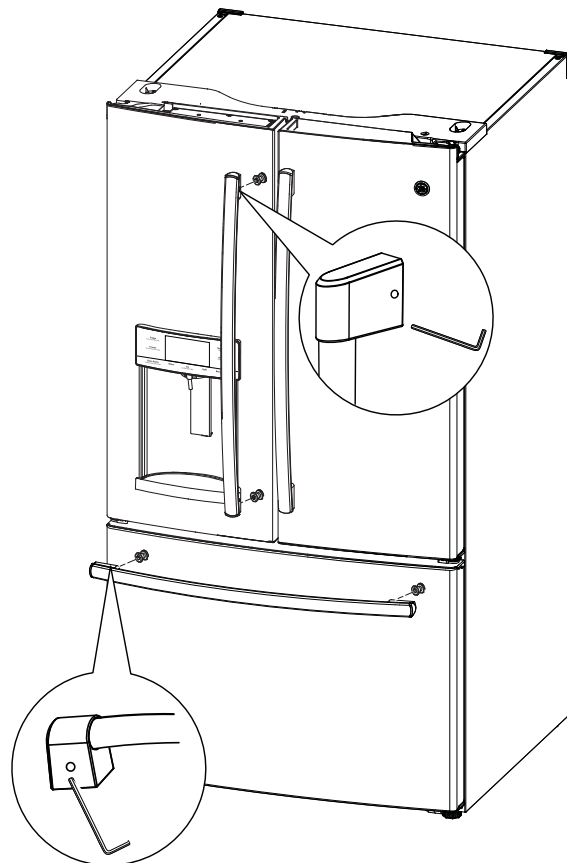
### 7 REFRIGERATOR AND FREEZER HANDLE INSTALLATION

#### Before You Start....

- To avoid injury, wear closed-toe shoes when installing the handles.
- While installing the handle, grasp the handle firmly to ensure it does not fall or scratch the appliance's finish.
- **IMPORTANT:** To make sure the handles are accurately installed, please review the instructions and graphics before you begin installation.
- **IMPORTANT:** Do not use power tools to tighten set screws.

#### Tools Provided:

- 1/8" hex key





# Installation Instructions

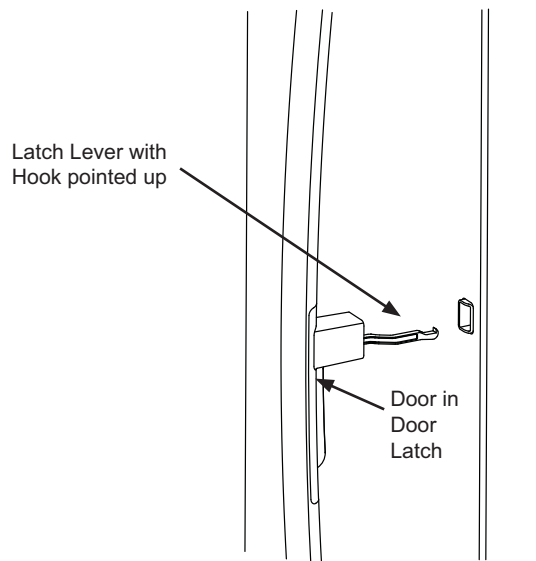
## INSTALLING THE REFRIGERATOR (Cont.)

### 7 REFRIGERATOR HANDLE INSTALLATION FOR DOOR-IN-DOOR MODELS ONLY (CONT.)

Handle appearance may vary based on model; however, the installation process is the same.

- A** Remove any protective film from the door or drawer fronts before installing handles (if applicable). **Do not remove the tape that secures the inner door to the outer door until after the handle is installed.**
- B** Remove handle from packaging and locate the provided 1/8" hex key.
- C** Align the lever with the opening on the outer door. Make sure the hook is pointed up.
- D** Insert the latch lever into the opening and place the handle over the mounting fasteners until it is flush against the surface of the door.
- E** Tighten both set screws in the handle end caps by turning the 1/8" hex key clockwise until the handle will not hang loose or fall from its mounting. Do not fully tighten yet.
- F** **IMPORTANT:** Hold the handle firmly against the door, make sure there are no gaps between the handle end caps and the door, and fully tighten the set screws.

To remove the handles, reverse the installation process.



# Installation Instructions

## INSTALLING THE REFRIGERATOR (Cont.)

### Anti-Tip Floor Bracket Installation (If Required)

#### ⚠ WARNING



Tip Over Hazard.



If an anti-tip floor bracket was included with your refrigerator, install it to prevent the refrigerator from tipping forward, which could result in death or serious injury. Read and follow the entire installation instructions for installing the anti-tip floor bracket packed with your refrigerator.

#### NOTE:

If the anti-tip bracket included with your refrigerator was damaged or lost, visit us online at [cafeappliances.com/parts](http://cafeappliances.com/parts) to receive one at no cost. In Canada, [cafe.appliances.ca/parts](http://cafe.appliances.ca/parts).  
For installation instructions of the bracket, visit: [cafeappliances.com/literature](http://cafeappliances.com/literature). In Canada, [cafe.appliances.ca/literature](http://cafe.appliances.ca/literature).

#### MATERIALS YOU MAY NEED (not included)



Lag Bolts  
1/4" (6 mm) x 1-1/2" (38 mm)  
Drill Bit Appropriate for Anchors



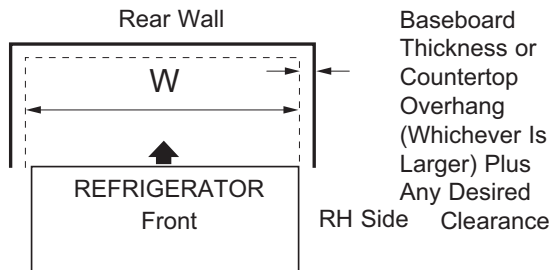
Anchor Sleeves  
1/2" (12 mm) OD

For Anti-Tip Bracket Mounted on CONCRETE Floors Only

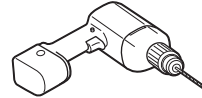
#### AT-1 MEASURE CABINET OPENING AVAILABLE VS. REFRIGERATOR WIDTH

Measure width of cabinet opening where refrigerator will be placed, W.

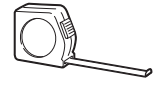
Be sure to account for any countertop overhang, baseboard thickness and any clearance desired. Width, W, should not be less than 36" (91.44 cm). The refrigerator will be placed approximately in the middle of this opening.



#### TOOLS YOU WILL NEED



1/8" (3 mm) Drill Bit and  
Electric or Hand Drill



Tape measure



Pencil

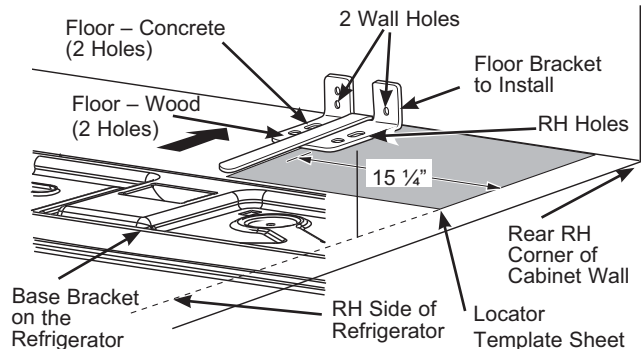


5/16" (8 mm) Nut Driver

#### AT-2 LOCATING THE ANTI-TIP FLOOR BRACKET

- A** Place the anti-tip floor bracket locator template (included inside the anti-tip kit) onto the floor up against the rear wall, within W, and in line with the desired location of the RH side of the refrigerator (see Figure 1).

Figure 1 – Installation Overview



- B** Place the anti-tip floor bracket onto the locator template with its RH floor holes lined up with the floor holes indicated on the template sheet, approximately 15 1/4" (38.73 cm) from the edge of the sheet or the RH side of the refrigerator.

- C** Hold down in position and use the anti-tip floor bracket as a template for marking the holes based upon your configuration and type of construction as shown in Step 3. Mark the hole locations with a pencil, nail or awl.

#### NOTE:

- It is REQUIRED to use at least 2 screws to mount the floor bracket (one on each side of the anti-tip floor bracket). Both must be into either the wall or the floor. Figure 2 indicates all the acceptable mounting configurations for screws. Identify the screw holes on the anti-tip floor bracket for your configuration.

# Installation Instructions

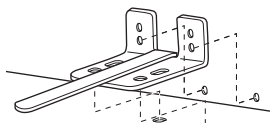
## INSTALLING THE REFRIGERATOR (Cont.)

### Anti-Tip Floor Bracket Installation (If Required)

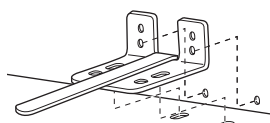
#### AT-2 LOCATING THE ANTI-TIP FLOOR BRACKET (cont.)

Figure 2 – Acceptable Screw Placement Locations

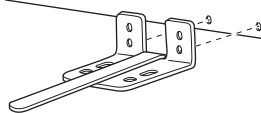
Recommended Installation – Wood



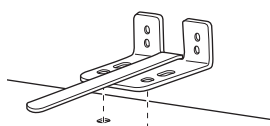
Recommended Installation – Concrete



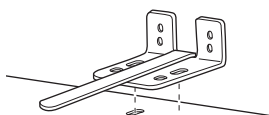
Minimum Acceptable #1 – Wall Plate Stud



Minimum Acceptable #2 – Wood Floor



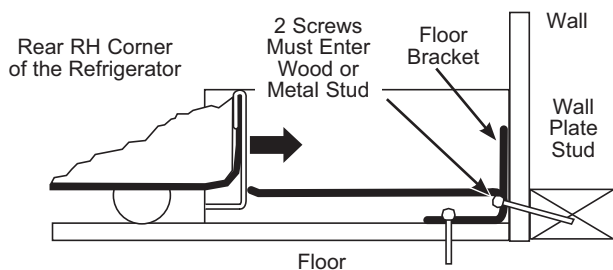
Minimum Acceptable #3 – Concrete Floor



#### AT-3 ANTI-TIP BRACKET INSTALLATION

- A** WOOD Wall and Floor Construction:
- Drill the appropriate number of 1/8" (3 mm) pilot holes in the center of each floor bracket hole being used (a nail or awl may be used if a drill is not available) AND remove the locator template from the floor.
  - Mount the anti-tip floor bracket by fastening the 2, or recommended 4, #10-16 hex-head screws tightly into place as illustrated in Figure 3.

Figure 3 – Attachment to Wall and Floor



- B** CONCRETE Wall and Floor Construction:
- Anchors required (not provided):  
4 each 1/4" (6 mm) x 1-1/2" (38 mm) lag bolts  
4 each 1/2" (12 mm) O.D. sleeve anchors
  - Drill the recommended size holes for the anchors into the concrete at the center of the holes marked in Step 2.
  - Install the sleeve anchors into the drilled holes. Place the anti-tip floor bracket as indicated in Step 2. Remove the locator template from the floor.
  - Install the lag bolts through the anti-tip floor bracket and tighten appropriately.
- C** WOOD Wall and TILE Floor Construction:
- For this special case, locate the 2 wall holes identified in Fig. 2. Drill an angled 1/8" (3 mm) pilot hole (approx. as shown in Fig. 3) in the center of each hole.
  - Mount the anti-tip floor bracket using the Minimum Acceptable Installation #1, as illustrated in Fig. 2.

#### AT-4 POSITIONING THE REFRIGERATOR TO ENGAGE THE ANTI-TIP FLOOR AND BASE BRACKETS

- A** Before pushing the refrigerator into the opening, plug the power cord into the receptacle and connect waterline (if equipped). Check for leaks.
- B** Locate the refrigerator's RH side and move back approximately in line with the RH side of the cabinet opening, W. This should position the anti-tip floor bracket to engage the anti-tip base bracket on the refrigerator.
- C** Gently roll the refrigerator back into the cabinet opening until it comes to a complete stop. Check to see if the refrigerator front lines up with the cabinet front face. If not, carefully rock the refrigerator forward and backward until engagement occurs and you notice that the refrigerator is fully pushed up against the rear wall.
- D** **If Applicable:** Adjust the rear (and front) wheel height settings to fully engage the rear anti-tip brackets, while also aligning the refrigerator front with the cabinet front face.

**NOTE:** If you pull the refrigerator out and away from the wall for any reason, make sure the anti-tip floor bracket is engaged when the refrigerator is pushed back against the rear wall.

# Installation Instructions

## INSTALLING THE REFRIGERATOR (Cont.)

### 8 CONNECTING THE REFRIGERATOR TO THE HOUSE WATER LINE

A cold water supply is required for automatic ice maker operation. If there is not a cold water supply, you will need to provide one. See Installing the Water Line section.

**NOTES:**

- Before making the connection to the refrigerator, be sure the refrigerator power cord is not plugged into the wall outlet.
- If your refrigerator does not have a water filter, we recommend installing one if your water supply has sand or particles that could clog the screen of the refrigerator's water valve. Install it in the water line near the refrigerator. If using SmartConnect™ Refrigerator Tubing Kit, you will need an additional tube (WX08X10002) to connect the filter. Do not cut plastic tube to install filter.
- Before connecting the water line to the house, purge the house line for at least 2 minutes.

**A** If you are using copper tubing, place a compression nut and ferrule (sleeve) onto the end of the tubing coming from the house cold water supply.

If you are using the SmartConnect™ tubing, the nuts are already assembled to the tubing.

**B** If you are using copper tubing, insert the end of the tubing into the refrigerator connection, at the back of the refrigerator, as far as possible. While holding the tubing, tighten the fitting.

If you are using SmartConnect™ tubing, insert the molded end of the tubing into the refrigerator connection, at the back of the refrigerator, and tighten the compression nut until it is hand tight. Then tighten one additional turn with a wrench. Over tightening may cause leaks.

**C** Fasten the tubing into the clamp provided to hold it in position. You may need to pry open the clamp.

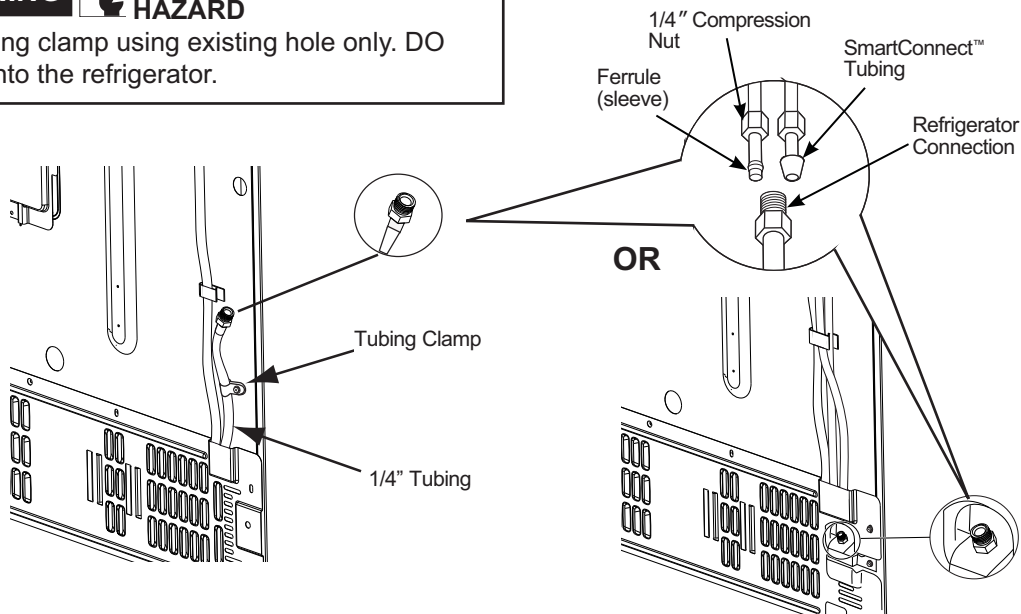
**⚠ WARNING**

Connect to potable water supply only.

A cold water supply is required for automatic icemaker operation. The water pressure must be between 40 and 120 psi (275-827 kilopascals)

**⚠ WARNING**  **ELECTRIC SHOCK HAZARD**

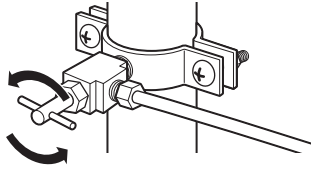
Attach tubing clamp using existing hole only. DO NOT drill into the refrigerator.



# Installation Instructions

## INSTALLING THE REFRIGERATOR (Cont.)

### 9 TURN ON THE WATER SUPPLY

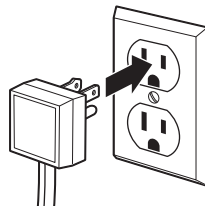


Turn the water on at the shutoff valve (house water supply) and check for any leaks.

### 10 PLUG IN THE REFRIGERATOR

See the grounding information attached to the power cord.

Once the unit is on, press the dispenser paddle and dispense water for at least 5 minutes to remove air from the water line, and flush the filter. The first few batches of ice should also be discarded. For Non Dispense models, throw away the first bin of ice production.

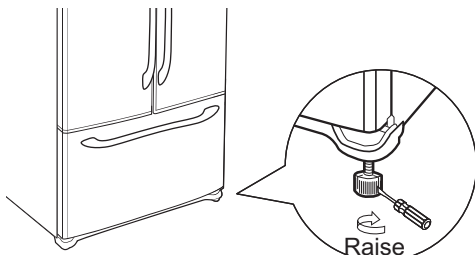


### 11 LEVEL THE REFRIGERATOR

The leveling legs have 2 purposes:

1. Leveling legs adjust so the refrigerator is firmly positioned on the floor and does not wobble.
2. Leveling legs serve as a stabilizing brake to hold the refrigerator securely in position during operation and cleaning. The leveling legs also prevent the refrigerator from tipping.

**A** Turn the leveling legs clockwise to raise the refrigerator, counterclockwise to lower it.

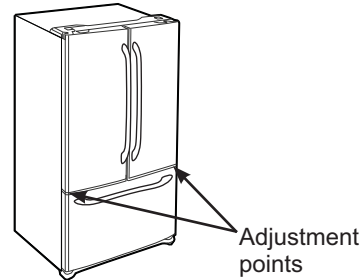


Flat-Head Screwdriver

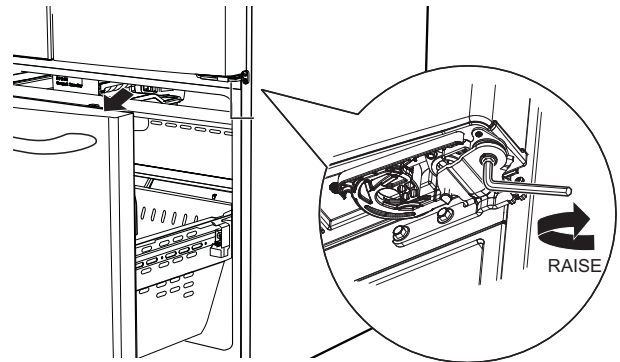
**NOTICE:** To avoid possible property damage, the leveling legs must be firmly touching the floor.

### 12 LEVEL THE REFRIGERATOR DOORS

Remember a level refrigerator is necessary for getting the doors perfectly even. If you need help, review the previous section on leveling the refrigerator.



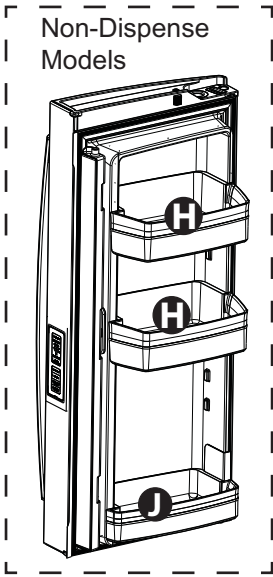
- A** If you open the freezer door, you can see the center hinge.
- B** Insert 1/4" Allen wrench into the shaft of the center hinge.
- C** Adjust the height by turning clockwise or counterclockwise. When you turn counterclockwise, the door will move up.



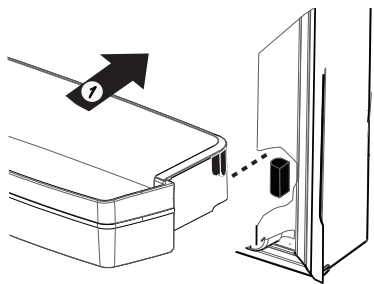
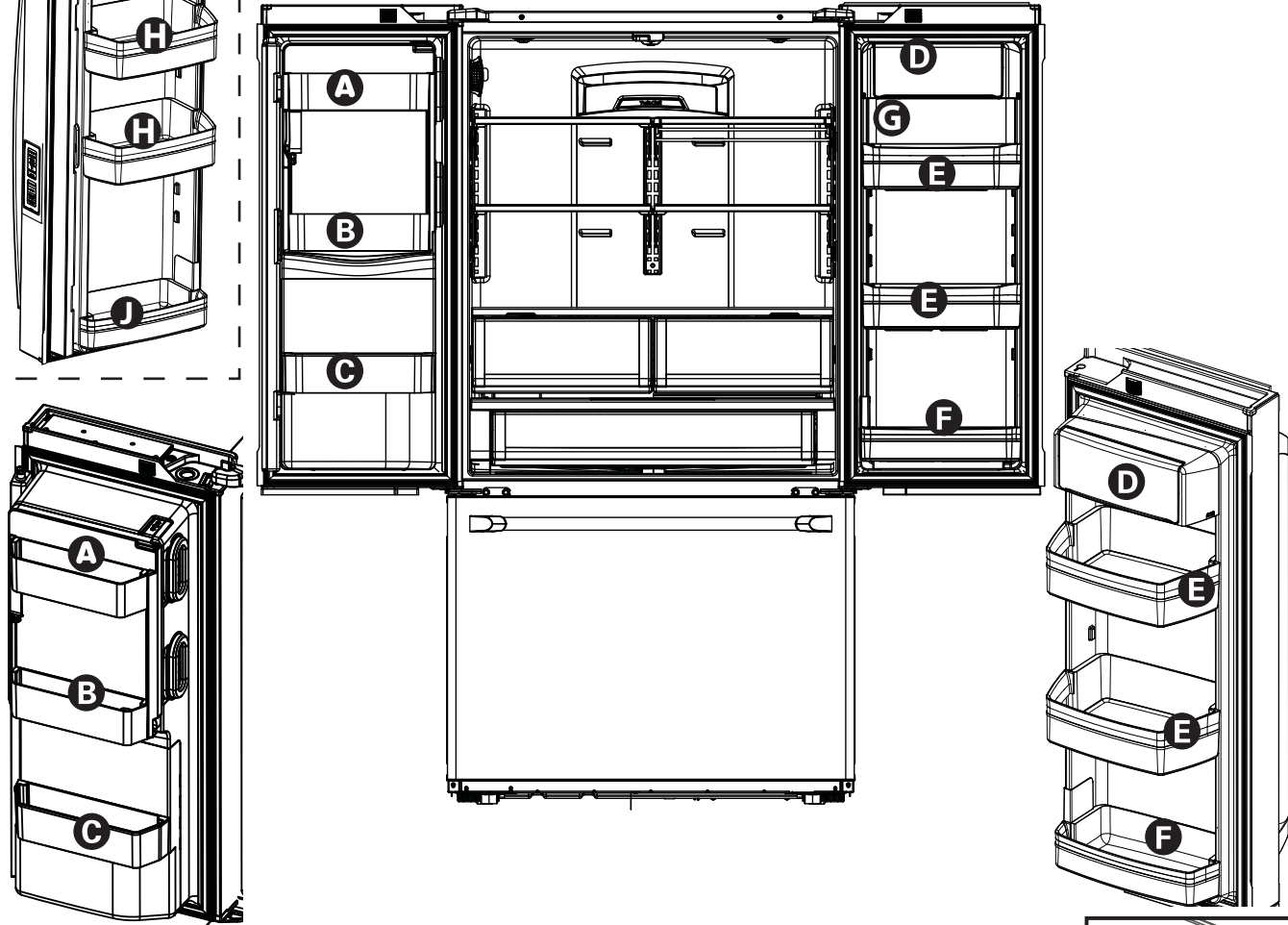
**NOTE:** On some models, the Left Hand Fresh Food Door is not adjustable.

# Installation Instructions

## INSTALLING THE REFRIGERATOR (Cont.)

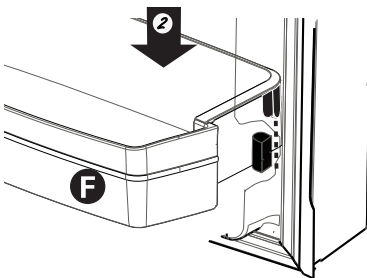


Refrigerator Assembly Instructions, suggested assembly.



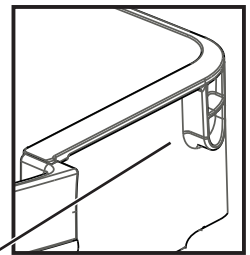
To place bins into doors:

- 1 Match your bin with the letter shown. Position the bin hooks over the bin locator and push forward until inserted fully.

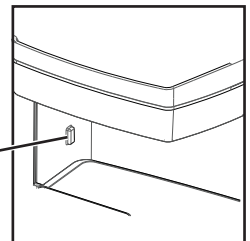


- 2 Push bin down until locked into position.

Bin hook rear each side



Bin locator each side



# Installation Instructions

## INSTALLING THE WATER LINE

### BEFORE YOU BEGIN

Recommended copper water supply kits are WX8X2, WX8X3 or WX8X4, depending on the amount of tubing you need. Approved plastic water supply lines are SmartConnect™ Refrigerator Tubing (WX08X10006, WX08X10015 and WX08X10025).

When connecting your refrigerator to a Reverse Osmosis Water System, the only approved installation is with a RVKit. For other reverse osmosis water systems, follow the manufacturer's recommendations.

If the water supply to the refrigerator is from a Reverse Osmosis Water Filtration System (RO) AND the refrigerator also has a water filter, use the refrigerator's filter bypass plug. Using the refrigerator's water filtration cartridge in conjunction with an RO water filter can result in hollow ice cubes. Some models do not come equipped with the filter bypass plug. To obtain a free bypass plug, visit [cafeappliances.com/service](http://cafeappliances.com/service). In Canada, visit [cafeappliances.ca/service](http://cafeappliances.ca/service).

This water line installation is not warranted by the refrigerator or ice maker manufacturer. Follow these instructions carefully to minimize the risk of expensive water damage.

Water hammer (water banging in the pipes) in house plumbing can cause damage to refrigerator parts and lead to water leakage or flooding. Call a qualified plumber to correct water hammer before installing the water supply line to the refrigerator.

To prevent burns and product damage, do not hook up the water line to the hot water line.

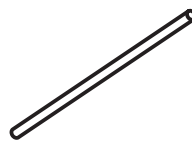
For LCD Models: If the refrigerator is operated before the water connection is made to the ice maker, see ICE MAKER under "settings" menu of the LCD Operations section and follow the screen commands to turn the ice maker OFF.

Do not install the ice maker tubing in areas where temperatures fall below freezing.

When using any electrical device (such as a power drill) during installation, be sure the device is double insulated or grounded in a manner to prevent the hazard of electric shock, or is battery powered.

All installations must be in accordance with local plumbing code requirements.

### WHAT YOU WILL NEED



- Copper or SmartConnect™ Refrigerator Tubing kit, 1/4" outer diameter to connect the refrigerator to the water supply. If using copper, be sure both ends of the tubing are cut square.

To determine how much tubing you need: measure the distance from the water valve on the back of the refrigerator to the water supply pipe. Be sure there is sufficient extra tubing to allow the refrigerator to move out from the wall after installation.

SmartConnect™ Refrigerator Tubing Kits are available in the following lengths:

- 8' (2.4 m) – WX08X10006
- 15' (4.6 m) – WX08X10015
- 25' (7.6 m) – WX08X10025

### ⚠ WARNING

Connect to potable water supply only.

A cold water supply is required for automatic icemaker operation. The water pressure must be between 40 and 120 psi (275-827 kilopascals)

# Installation Instructions

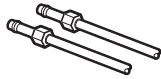
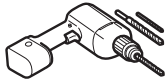
## INSTALLING THE WATER LINE (Cont.)

### WHAT YOU WILL NEED (Cont.)

**NOTE:** The only GE Appliances, a Haier company, approved plastic tubing is that supplied in SmartConnect™ Refrigerator Tubing kits. Do not use any other plastic water supply line because the line is under pressure at all times. Certain types of plastic will crack or rupture with age and cause water damage to your home.

- A water supply kit (containing tubing, shutoff valve and fittings listed below) is available at extra cost from your dealer or from [cafeappliances.com/parts](http://cafeappliances.com/parts). In Canada, visit [cafeappliances.ca/parts](http://cafeappliances.ca/parts).
- A cold water supply. The water pressure must be between 20 and 120 p.s.i. (1.4–8.1 bar).

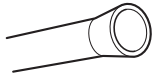
- Power drill.
- 1/2" or adjustable wrench.
- Straight and Phillips blade screwdriver.



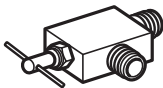
- Two 1/4" outer diameter compression nuts and 2 ferrules (sleeves)—to connect the copper tubing to the shutoff valve and the refrigerator water valve.

OR

- If you are using a SmartConnect™ Refrigerator Tubing kit, the necessary fittings are preassembled to the tubing.



- If your existing copper water line has a flared fitting at the end, you will need an adapter (available at plumbing supply stores) to connect the water line to the refrigerator OR you can cut off the flared fitting with a tube cutter and then use a compression fitting. Do not cut formed end from SmartConnect™ Refrigerator tubing.



- Shutoff valve to connect to the cold water line. The shutoff valve should have a water inlet with a minimum inside diameter of 5/32" at the point of connection to the COLD WATER LINE. Saddle-type shutoff valves are included in many water supply kits. Before purchasing, make sure a saddle-type valve complies with your local plumbing codes.

Install the shutoff valve on the nearest frequently used drinking water line.

### 1 SHUT OFF THE MAIN WATER SUPPLY

Turn on the nearest faucet long enough to clear the line of water.

### 2 CHOOSE THE VALVE LOCATION

Choose a location for the valve that is easily accessible. It is best to connect into the side of a vertical water pipe. When it is necessary to connect into a horizontal water pipe, make the connection to the top or side, rather than at the bottom, to avoid drawing off any sediment from the water pipe.

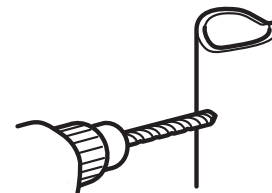


### 3 DRILL THE HOLE FOR THE VALVE

Drill a 1/4" hole in the water pipe (even if using a self-piercing valve), using a sharp bit. Remove any burrs resulting from drilling the hole in the pipe.

Take care not to allow water to drain into the drill.

Failure to drill a 1/4" hole may result in reduced ice production or smaller cubes.



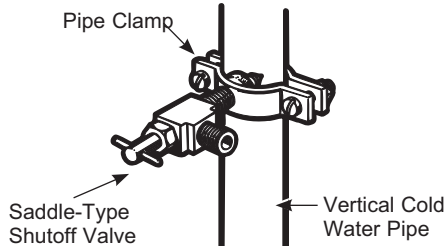


# Installation Instructions

## INSTALLING THE WATER LINE (Cont.)

### 4 FASTEN THE SHUTOFF VALVE

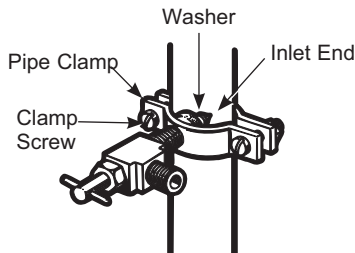
Fasten the shutoff valve to the cold water pipe with the pipe clamp.



**NOTE:** Commonwealth of Massachusetts Plumbing Codes 248CMR shall be adhered to. Saddle valves are illegal and use is not permitted in Massachusetts. Consult with your licensed plumber.

### 5 TIGHTEN THE PIPE CLAMP

Tighten the clamp screws until the sealing washer begins to swell.



**NOTE:** Do not over tighten or you may crush the tubing.

### 6 ROUTE THE TUBING

Route the tubing between the cold water line and the refrigerator.

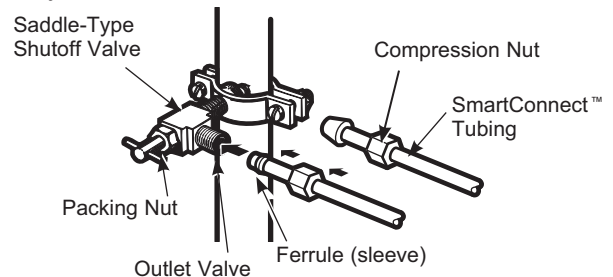
Route the tubing through a hole drilled in the wall or floor (behind the refrigerator or adjacent base cabinet) as close to the wall as possible.

### 7 CONNECT THE TUBING TO THE VALVE

Place the compression nut and ferrule (sleeve) for copper tubing onto the end of the tubing and connect it to the shutoff valve.

Make sure the tubing is fully inserted into the valve. Tighten the compression nut securely.

For plastic tubing from a SmartConnect™ Refrigerator Tubing kit, insert the molded end of the tubing into the shutoff valve and tighten compression nut until it is hand tight, then tighten one additional turn with a wrench. Over tightening may cause leaks.



**NOTE:** Commonwealth of Massachusetts Plumbing Codes 248CMR shall be adhered to. Saddle valves are illegal and use is not permitted in Massachusetts. Consult with your licensed plumber.

### 8 FLUSH OUT THE TUBING

Turn the main water supply on and flush out the tubing until the water is clear.

Shut the water off at the water valve after about one quart (1 liter), or 2 minutes, of water has been flushed through the tubing.



To complete the installation of the refrigerator, go back to Step 9 in Installing the Refrigerator.

# Normal Operating Conditions.

Newer refrigerators sound different from older refrigerators.  
Modern refrigerators have more features and use newer technology.

## Do you hear what I hear? These conditions are normal.

**HUMMM...**

**WHOOSH...**

- The new high efficiency compressor may run faster and longer than your old refrigerator and you may hear a high-pitched hum or pulsating sound while it is operating.
- You may hear a whooshing sound when the doors close. This is due to pressure equalizing within the refrigerator.
- After dispensing ice, a motor will close the ice chute to keep warm room air from entering the ice bucket, maintaining ice at a freezing temperature. The hum of the motor closing the ice chute is normal, shortly after dispensing ice.



- You may hear the fans spinning at high speeds. This happens when the refrigerator is first plugged in, when the doors are opened frequently or when a large amount of food is added to the refrigerator or freezer compartments. The fans are helping to maintain the correct temperatures.
- The fans change speeds in order to provide optimal cooling and energy savings.

## CLICKS, POPS, CRACKS and SNAPS

- You may hear cracking or popping sounds when the refrigerator is first plugged in. This happens as the refrigerator cools to the correct temperature.
- Expansion and contraction of cooling coils during and after defrost can cause a cracking or popping sound.
- On models with an ice maker, after an ice making cycle, you may hear the ice cubes dropping into the ice bucket.
- On models with a dispenser, during water dispense, you may hear the water lines move at initial dispense and after dispenser button is released.

## WATER SOUNDS



- The flow of refrigerant through the cooling coils may make a gurgling noise like boiling water.
- Water dropping on the defrost heater can cause a sizzling, popping or buzzing sound during the defrost cycle.
- A water dripping noise may occur during the defrost cycle as ice melts from the evaporator and flows into the drain pan.
- Closing the door may cause a gurgling sound due to pressure equalization.

## START UP COOLING

It can take up to 24 hours for the refrigerator to reach the set temperature. During that time, refrigerator and freezer door openings should be limited.

## Troubleshooting Tips... Before you schedule service

Save time and money! Review the charts on the following pages first and you may not need to schedule service.

Problem	Possible Causes	What to Do
Water filter indicated as installed incorrectly or a leak is present message on LCD screen.	Water filter installed backward or is leaking.	Check for leak. If no leak is present, remove filter/bypass plug, rotate 180° and reinstall.
Water filter indicator light remains lit after replacing filter.	Filter timer has not been reset or filter is installed backward. On some models, replacing your water filter will not automatically reset your filter.	<b>Internal Dispense models:</b> -Press and hold reset button for 3 seconds <b>External Dispense models:</b> -Remove filter and rotate 180° and reinstall. On some models, enter the settings menu, then, select the Water Filter menu and press the RESET button. This will reset the filter status.
Handle is loose/handle has a gap.	Handle needs adjusting	See Attach Fresh Food Handle and Attach the Freezer Handle sections for detailed instructions.
Refrigerator beeping	This is door alarm	Turn off or disable with door closed. If door open and alarm is sounding, you can only snooze the alarm.
Not cooling	The cooling system is off	See About Controls.
Water has poor taste/odor	Water dispenser has not been used for a long time	Dispense water, until all water in system is replenished.
Water in glass is warm	Normal when refrigerator is first installed	Wait 24 hours for the refrigerator to completely cool down.
	Water dispenser has not been used for a long time	Dispense water, until all water in system is replenished.
	Water system has drained	Allow several hours for replenished supply to chill.
Water dispenser does not work	Water supply line turned off or not connected	See Installing the Water Line.
	Water filter clogged or filter/bypass plug not installed	Replace filter cartridge or remove filter and install bypass plug.*
	Air may be trapped in the water system	Press the dispenser arm for at least 5 minutes.
	Water in reservoir is frozen because the controls are set too cold	Set the refrigerator control to a warmer setting and wait 24 hours. If the water does not dispense after 24 hours, schedule service on-line at <a href="http://cafeappliances.com/service">cafeappliances.com/service</a>
Water spurting from dispenser	Newly installed filter cartridge	Run cold water from the dispenser for 5 minutes (about 2 gallons)..
Water is leaking from dispenser	Air may be present in the water line system, causing water to drip after being dispensed	Dispense water for at least 5 minutes to remove air from system
No water or ice cube production	Supply line or shutoff valve is clogged	Call a plumber
	Water filter is clogged	Replace filter cartridge or remove filter and install bypass plug*
	Filter cartridge not properly installed	Remove and reinstall filter cartridge, being certain that it locks in place.
	Ice maker is turned off	Check that the ice maker is turned on. See About the Automatic Ice Maker.
<b>PRECISE FILL</b> will not fill container	Normal, <b>PRECISE FILL</b> requires use of dispenser paddle	For a specific amount of water, select <b>PRECISE FILL</b> to dispense water


\*Some models do not come equipped with the filter bypass plug. To obtain a free bypass plug, visit us on-line at [cafeappliances.com/service](http://cafeappliances.com/service). In Canada, visit [cafeappliances.ca/service](http://cafeappliances.ca/service).

# Troubleshooting Tips... Before you schedule service

<b>Problem</b>	<b>Possible Causes</b>	<b>What to Do</b>
Photos not found	Photos not in root directory of USB	Make sure the photos are in the root directory in your USB
	Photos not in JPEG format	Photos must be in JPEG format
	Camera/PC used with USB cord	Must use a USB drive
Freezer cooling, fresh food not cooling	Normal, when refrigerator first plugged in or after extended power outage	Wait 24 hours for temperature in both compartments to reach selected temperatures.
Ice dispenser opens after closing freezer drawer	Normal	The ice dispenser door may open after closing freezer door to allow access
Hot water does not work	Operation disabled	Make sure "Hot Water Disabled" is not selected
	Low water pressure	Make sure water line is not kinked
	Water supply line turned off or not connected	See Installing the Water Line
	Water filter clogged or filter/bypass plug not installed	Replace filter cartridge or remove filter and install bypass plug*
Hot water continues to dispense for a short time after releasing the knob	Water filter is partially clogged or low water pressure (<40 psi)	Replace filter cartridge or remove filter and install bypass plug* or increase water pressure
Difficult to open the Icebox door	Icebox door gasket might stick to main door if it remains closed for a long duration	Disengage the door latch, wait for 3 minutes then open the Icebox door
Fresh food door not closing fully	Fresh food door gasket may have unseated and interfering with articulating mullion operation	Reseat the gasket all the way in the groove
Low brewing flow rate	There may have been a dent at the bottom of K-Cup causing the pin to pierce the filter allowing coffee grounds clogging the bottom pin	Avoid using damaged/dented K-cups, and clean the lower needle before next brew
Low brewing flow rate / water drips from inner door	Top needle of the brewer clogged	Unclog the top needle holes using a paper clip and rinse brewer. Rinse brewer after every use.
Brewer stuck in the door bracket	Dispenser is in hot water dispense mode instead of brew mode while the brew module is installed	Cancel hot water dispense mode so hot water tube will retract from the brew module
Brewer is not detected by the screen menu or hot water leaking from top of the brewer	Incorrect assembly of brewer in the bracket	Make sure the Keurig Logo is in the front. Push brewer all the way in the brackets
Coffee dispensed with splash or bubble bursting	Blocked vent hole in the brewer	Make sure the vent hole at the bottom of the brewer is clear from food or any other contamination
Beverage quality not as expected	You may be using non-standard or out dated K-Cups	Recommend using official Keurig K-cups that are not past expiration and have not been damaged
Liquid drips from the brewer after brewer cycle is completed and the brewer is removed from the bracket	It is possible for liquids to be retained by the brewer and drip when it is removed	Use a cloth or container to capture the drips when brewer is removed
Delay when using Keurig K-cup Pod dispenser	To ensure a quality beverage is delivered, a short delay is required to ensure the refrigerator is operating correctly	Ensuring consistent, quality operation requires the refrigerator to delay dispense for a short period of time
After brewing, my powdered beverage is not fully cleared from the used pod	Depending on size selected, the powder may not dissolve fully. Some powdered beverages develop into 'clumps' when left sitting for some time	Shake the powdered pods before brewing to break up these clumps and allow better clearing. For powdered beverage with no filter, use the Cocoa cycle selection
Brewer lid is difficult to close	K-cup is not fully seated	Press K-cup all the way down into the brewer prior to closing the lid. Lower needle must puncture K-cup before closing the brewer lid

\*Some models do not come equipped with the filter bypass plug. To obtain a free bypass plug, visit us on-line at [cafeappliances.com/service](http://cafeappliances.com/service). In Canada, visit [cafeappliances.ca/service](http://cafeappliances.ca/service).

## Troubleshooting Tips... Before you schedule service

Problem	Possible Causes	What to Do
Brewer leaks during the brew cycle	Trouble in closing brewer lid or damaged K-cup	Press K-cup all the way down into the brewer prior to closing the lid. Lower needle must puncture K-cup before closing the brewer lid. Recommend using official Keurig K-cups that have not been damaged and have a good seal between the top cover and plastic bottom
My refrigerator door squeaks	Diminished lubricant because of accidental cleaning of the lubricant on the hinge	<p>It is best to order GEA lubricant service part number WR97X166 and apply on the hinge at following highlighted location.</p>  <p>It is possible to apply some non-toxic lubricant such as Petroleum Jelly or NSF H1 approved food grade lubricant.</p> <p><b>IMPORTANT:</b> Do not use WD-40 as it will remove any remaining grease in or around the hinge.</p>
	Improper leveling	Make sure the unit is leveled.
	If doors were removed and re-assembled during installation process, waterline and/harness under Top Hinge cover may get out of position and rub against door while door swivels.	<p>Remove the Top Hinge cover and make sure the waterline and harness that passes through the hinge pin has been properly seated and does not touch any of the door parts during rotation.</p> <p>Applying some food grade lubricant around door thimble area will also help.</p>

# Truth or Myth

**SERVICE** Before you schedule service, review the detailed troubleshooting tips in the Owner's manual. If needed, service can be scheduled by visiting us online at [cafeappliances.com/service](http://cafeappliances.com/service). In Canada, visit [cafeappliances.ca/service](http://cafeappliances.ca/service)

## Truth or Myth

Truth or Myth?	Answer	Explanation
The refrigerator water filter may require replacement prior to six months of use	TRUE	The water filter indicator will indicate the need to replace the water filter every six months or 170 gallons (643.52 liters) of water dispensed (select models only). Water quality varies from city to city. If water flow from the dispenser slows, or ice production decreases, the water filter should be replaced, even though the filter indicator may not indicate the need for replacement.
The automatic ice maker in my refrigerator will produce ice when the refrigerator is plugged in to a power receptacle.	MYTH	The refrigerator must be connected to water, and the ice maker must be turned on. Make sure the ice maker is turned on, only after the water line is connected and water is turned on. The ice maker can be turned <b>on/off</b> from the controls and ensure the ice maker is on, as indicated on the refrigerator control panel. See <i>Automatic Ice Maker</i> section.
After the refrigerator has been plugged in and connected to water, I will immediately have unlimited chilled water available from the water dispenser.	MYTH	The water dispenser tank located inside the refrigerator stores water for dispensing. The water in this tank requires 24 hours to chill after installation. High usage conditions will not allow time for the water to chill.
After water dispenses, a few drops of water are normal.	TRUE	A few drops of water may fall from the dispenser, after the dispenser paddle has been released. To minimize the drops, remove the glass slowly from the dispenser.
I will never see frost inside the freezer compartment.	MYTH	Frost inside the freezer typically indicates that the door is not properly sealed, or has been left open. If frost is found, clear the frost using a plastic spatula and towel, then check to ensure that no food packages or containers are preventing the freezer door from closing. Check the refrigerator control panel to ensure the door alarm is on.
When the refrigerator is installed, or after replacing the water filter, I must dispense water for five minutes.	TRUE	A newly installed refrigerator or water filter contains air in the water lines. Press the dispenser paddle and dispense cold water for at least 5 minutes to remove air from the water line, and flush the filter. For Non Dispense models, throw away the first bin of ice production after filter replacement.

## Truth or Myth

### SERVICE

Before you schedule service, review the detailed troubleshooting tips in the Owner's manual. If needed, service can be scheduled by visiting us online at [cafeappliances.com/service](http://cafeappliances.com/service). In Canada, visit [cafeappliances.ca/service](http://cafeappliances.ca/service)

### Truth or Myth

Truth or Myth?	Answer	Explanation
To fill the ice bucket to the maximum capacity, I should dispense 12 and 18 hours after installation.	TRUE	Dispensing 3-4 cubes 12 hours and 18 hours after installation, allows ice to disperse within the ice bucket, which in turns calls on the ice maker to produce additional ice. Normal ice production = 100 cubes in 24 hours.
I can use the water filter bypass plug to determine if the filter requires replacement.	TRUE	Decrease in flow from the water dispenser, or decreased ice production, may indicate the need to replace the water filter. Install the water filter bypass plug (provided with the refrigerator on some models*), and check flow from the dispenser. If water flow returns to normal with the bypass plug in place, replace the water filter.
The top of the refrigerator doors will always be aligned.	MYTH	Several things can affect the fresh food door alignment, including the floor the refrigerator is installed on and loading of doors. If the top of the fresh food doors are not aligned, use a 1/4" allen wrench to adjust the right/left hand door. The adjustment screw is located on the bottom right or left hand side of the door; open the freezer door to access the screw.
Refrigerator door handles can be easily tightened.	TRUE	If door handles are loose or have a gap, the handle can be adjusted using a 1/8" allen wrench, on set screws located on the ends of the handles.
There may be odor and taste problems with your ice.	TRUE	After starting the ice maker, or replacing the water filter, throw away the first bin of ice production to avoid odor and taste problems.
I can make fine adjustments to the fresh food doors to align them.	TRUE	If the fresh food doors are not aligned, use a 1/4" Allen wrench to adjust the right hand door. The adjustment screw is located on the bottom of the right/left door. Open the freezer door to access.
Door removal is always required for installation.	MYTH	Check chart on reverse side of this instruction. Doors should only be removed when necessary to prevent damage from passage way or access to final location.
Refrigerator doors that won't close after installation can be adjusted to close properly.	TRUE on some models	On some models doors have to be removed at 90° and installed at 90° to cabinet as described in procedure for Reinstalling the Refrigerator Doors in order for door to close properly.
Refrigerator doors will self close if left open.	MYTH on some models	Refrigerator doors need to be closed by consumer. A gentle bounce back is a designed feature on some models that gives a positive feedback to the user so that they can initiate and complete the door closing action.
There is an adjustment to rear wheels.	MYTH	Front leveling legs are adjustable and should be used to balance the refrigerator. Leveling legs are used to make initial fresh food door adjustment.
Check for leaks after all water connections are made.	TRUE	While purging the air from the water system, check all water line connections for leaks. Check the connection to the household water supply at back of refrigerator, and door water line connect.
My LCD display will always be on when I plug the power cord in at installation.	MYTH	If the refrigerator has been stored in a cold environment, the LCD may be slow to give a proper display. Give the refrigerator enough time to warm up, and the display should be okay.
Any packaging residue can be cleaned off the refrigerator using any cleaner.	MYTH	Do not use wax, polish, bleach, or other products containing chlorine on Stainless Steel panels, door handles and trim. Check this instruction under "Cleaning the Outside" for full details.

\*Some models do not come equipped with the filter bypass plug. To obtain a free bypass plug, visit us on-line at [cafeappliances.com/service](http://cafeappliances.com/service). In Canada, visit [cafeappliances.ca/service](http://cafeappliances.ca/service).

# Café Refrigerator Limited Warranty

cafeappliances.com

All warranty service is provided by our Factory Service Centers, or an authorized service technician. To schedule service online, visit us at [cafeappliances.com/service](http://cafeappliances.com/service). Please have your serial number and your model number available when scheduling service. In Canada, visit [cafeappliances.ca/service](http://cafeappliances.ca/service).

Servicing your refrigerator may require the use of the onboard data port for diagnostics. This gives a Café Factory Service technician the ability to quickly diagnose any issues with your appliance and helps Café improve its products by providing Café with information on your appliance. If you do not want your appliance data to be sent to Café, please advise your technician NOT to submit the data to Café at the time of service.

For the Period of:	Café Will Replace
<b>One Year</b> From the date of the original purchase	<b>Any part</b> of the refrigerator which fails due to a defect in materials or workmanship. During the <b>limited one-year warranty</b> , Café will also provide, <b>free of charge</b> , all labor and related service to replace the defective part.
<b>Thirty Days</b> (Water filter, if included) From the original purchase date of the refrigerator	<b>Any part</b> of the water filter cartridge which fails due to a defect in materials or workmanship. During this <b>limited thirty-day warranty</b> , Café will also provide, <b>free of charge</b> , a replacement water filter cartridge.
<b>Five Years</b> From the date of the purchase	<b>Any part</b> of the sealed refrigerating system (the compressor, condenser, evaporator and all connecting tubing) which fails due to a defect in materials or workmanship. During this <b>limited five-year sealed refrigerating system warranty</b> , Café will also provide, <b>free of charge</b> , all labor and related service to replace the defective part in the sealed refrigerating system.

## What Café Will Not Cover:

- Service trips to your home to teach you how to use the product.
- Improper installation, delivery or maintenance.
- Failure of the product if it is abused, misused, or used for other than the intended purpose or used commercially.
- Loss of food due to spoilage.
- Replacement of house fuses or resetting of circuit breakers.
- Damage to finish, such as surface rust, tarnish, or small blemishes not reported within 48 hours of delivery.
- Replacement of the water filter cartridge, if included, due to water pressure that is outside the specified operating range or due to excessive sediment in the water supply.
- Replacement of the light bulbs, if included, or water filter cartridge, if included, other than as noted above.
- Damage to the product caused by accident, fire, floods or acts of God.
- Incidental or consequential damage caused by possible defects with this appliance.
- Product not accessible to provide required service.
- Damage caused by a non-GE Appliances Brand water filter.

**EXCLUSION OF IMPLIED WARRANTIES**  
Your sole and exclusive remedy is product repair as provided in this Limited Warranty. Any implied warranties, including the implied warranties of merchantability or fitness for a particular purpose, are limited to one year or the shortest period allowed by law.

**For US Customers:** This limited warranty is extended to the original purchaser and any succeeding owner for products purchased for home use within the USA. If the product is located in an area where service by a Café Authorized Servicer is not available, you may be responsible for a trip charge or you may be required to bring the product to an Authorized Café Service location for service. In Alaska, the limited warranty excludes the cost of shipping or service calls to your home.

Some states do not allow the exclusion or limitation of incidental or consequential damages. This limited warranty gives you specific legal rights, and you may also have other rights which vary from state to state. To know what your legal rights are, consult your local or state consumer affairs office or your state's Attorney General.

**Warrantor: GE Appliances, a Haier company**  
Louisville, KY 40225

**For Customers in Canada:** This limited warranty is extended to the original purchaser and any succeeding owner for products purchased in Canada for home use within Canada. In-home warrant service will be provided in areas where it is available and deemed reasonable by Mabe to provide.

**Warrantor Canada: MC Commercial, Inc., Burlington, Ontario, L7R 5B6**

**LIMITED WARRANTY**

Staple your receipt here. Proof of the original purchase date is needed to obtain service under the warranty.



# Water Filter Cartridge Limited Warranty

Contact us at [cafeappliances.com/parts](http://cafeappliances.com/parts)

<b>For the period of</b>	<b>GE Appliances will replace</b>
<b>Thirty Days</b> From the date of the original purchase	<b>Any part</b> of the water filter cartridge which fails due to a defect in materials or workmanship during this <b>limited thirty-day warranty</b> .*

## What GE Appliances will not cover:

- Service trips to your home to teach you how to use the product.
- Improper installation.
- Failure of the product if it is abused, misused, used for other than the intended purpose or used commercially.
- Replacement of house fuses or resetting of circuit breakers.
- Replacement of the water filter cartridge due to water pressure that is outside the specified operating range or due to excessive sediment in the water supply.
- Damage to the product caused by accident, fire, floods, or acts of God.
- Incidental or consequential damage caused by possible defects with this appliance.

## EXCLUSION OF IMPLIED WARRANTIES

Your sole and exclusive remedy is part exchange as provided in this Limited Warranty. Any implied warranties, including the implied warranties of merchantability or fitness for a particular purpose, are limited to six months or the shortest period allowed by law.

This warranty is extended to the original purchaser and any succeeding owner for products purchased for home use within the USA. In Alaska, the warranty excludes the cost of shipping or service calls to your home.

Some states do not allow the exclusion or limitation of incidental or consequential damages. This warranty gives you specific legal rights, and you may also have other rights which vary from state to state. To know what your legal rights are, consult your local or state consumer affairs office or your state's Attorney General.

**For Purchases Made In Iowa:** This form must be signed and dated by the buyer and seller prior to the consummation of this sale.

This form should be retained on file by the seller for a minimum of two years.

### Buyer:

Name \_\_\_\_\_  
 Address \_\_\_\_\_  
 City \_\_\_\_\_ State \_\_\_\_\_ Zip \_\_\_\_\_  
 Signature \_\_\_\_\_ Date \_\_\_\_\_

### Seller:

Name \_\_\_\_\_  
 Address \_\_\_\_\_  
 City \_\_\_\_\_ State \_\_\_\_\_ Zip \_\_\_\_\_  
 Signature \_\_\_\_\_ Date \_\_\_\_\_

\*If your GE Appliances part fails because of a manufacturing defect within thirty days from the date of original purchase for use, we will give you a new or, at our option, a rebuilt part without charge. Return the defective part to the parts supplier from whom it was purchased together with a copy of the "proof of purchase" for the part. If the part is defective and shows no signs of abuse, it will be exchanged. The warranty does not cover the failure of parts which are damaged while in your possession, are abused, or have been installed improperly. It does not cover the cost of returning the part to the supplier from whom it was purchased nor does it cover the cost of labor to remove or install it to diagnose the fault. It does not cover parts used in products in commercial use except in the case of air conditioning equipment. In no event shall GE Appliances be liable for consequential damages.

**Warrantor: GE Appliances, a Haier company**  
**Louisville, KY 40225**

Staple your receipt here. Proof of the original purchase date is needed to obtain service under the warranty.

# Performance Data Sheet Model: RPWFE

- System certified by IAPMO R&T against NSF/ANSI Standards 42, 53, 401, and P473 for the reduction of claims specified on the performance data sheet and at [iapmort.org](http://iapmort.org).
- Actual performance may vary with local water conditions.

Substance Tested for Reduction	Influent challenge concentration (mg/L)	Maximum permissible product water concentration (mg/L)	Avg % Reduction
Chlorine Taste and Odor	2.0 mg/L +/- 10%	N/A	> 99
Chloramine Taste and Odor	3.0 mg/L +/- 10%	0.5	> 99
Particulate, Class I	At least 10,000/mL	N/A	91.4
Cysts	50,000/L	N/A	> 99.99
Lead	0.15	0.01	98.85
Mercury	0.006	0.002	96.95
Asbestos	107 to 108 fibers/ L	N/A	> 99
Toxaphene	0.015 +/- 10%	0.003	86.95
VOC (Chloroform surrogate chemical)	0.300	0.015	> 99
Alachlor	0.050	0.001	> 98
Atrazine	0.100	0.003	> 97
Benzene	0.081	0.001	> 99
Carbofuran	0.190	0.001	> 99
carbon tetrachloride	0.078	0.0018	98
chlorobenzene	0.077	0.001	> 99
chloropicrin	0.015	0.0002	99
2,4-D	0.110	0.0017	98
dibromochloropropane (DBCP)	0.052	0.00002	> 99
o-Dichlorobenzene	0.08	0.001	> 99
p-Dichlorobenzene	0.040	0.001	> 98
1,2-dichloroethane	0.088	0.0048	95
1,1-dichloroethylene	0.083	0.001	> 99
cis-1,2-dichloroethylene	0.170	0.0005	> 99
trans-1,2-dichloroethylene	0.086	0.001	> 99
1,2-dichloropropane	0.080	0.001	> 99
cis-1,3-dichloropropylene	0.079	0.001	> 99
dinoseb	0.170	0.0002	99
Endrin	0.053	0.00059	99
Ethylbenzene	0.088	0.001	> 99
ethylene dibromide (EDB)	0.044	0.00002	> 99
bromochloroacetonitrile	0.022	0.0005	98
dibromoacetonitrile	0.024	0.0006	98
dichloroacetonitrile	0.0096	0.0002	98
trichloroacetonitrile	0.015	0.0003	98
1,1-dichloro-2-propanone	0.0072	0.0001	99
1,1,1-trichloro-2-propanone	0.0082	0.0003	96
heptachlor (H-34, Heptox)	0.025	0.00001	> 99
heptachlor epoxide	0.0107	0.0002	98
hexachlorobutadiene	0.044	0.001	> 98
hexachlorocyclopentadiene	0.060	0.000002	> 99
Lindane	0.055	0.00001	> 99
methoxychlor	0.050	0.0001	> 99
pentachlorophenol	0.096	0.001	> 99
simazine	0.120	0.004	> 97
Styrene	0.150	0.0005	> 99
1,1,2,2-tetrachloroethane	0.081	0.001	> 99
Tetrachloroethylene	0.081	0.001	> 99
Toluene	0.078	0.001	> 99
2,4,5-TP (silvex)	0.270	0.0016	99
tribromoacetic acid	0.042	0.001	> 98
1,2,4-Trichlorobenzene	0.160	0.0005	> 99
1,1,1-trichloroethane	0.084	0.0046	95
1,1,2-trichloroethane	0.150	0.0005	> 99
trichloroethylene	0.180	0.0010	> 99
bromoform	0.300	0.015	95
bromodichloromethane	0.300	0.015	95
chlorodibromomethane	0.300	0.015	95
xylenes	0.070	0.001	> 99
Meprobamate	400 +/- 20%	60	> 99
Atenolol	200 +/- 20%	30	> 99
Carbamazepine	1400 +/- 20%	200	> 99
DEET	1400 +/- 20%	200	> 99
Metolachlor	1400 +/- 20%	200	> 99
Trimethoprim	140 +/- 20%	20	> 99
Linuron	140 +/- 20%	20	> 99
TCEP	5000 +/- 20%	700	> 99
T CPP	5000 +/- 20%	700	> 99
Phenytoin	200 +/- 20%	30	> 99
Ibuprofen	400 +/- 20%	60	> 99
Naproxen	140 +/- 20%	20	> 99
Estrone	140 +/- 20%	20	> 99
Bisphenol A	2000 +/- 20%	300	> 99
Nonyl phenol	1400 +/- 20%	200	> 99
PFOA/PFOS	1.5 mg/L +/- 10%	0.07	99.25

## Application Guidelines/Water Supply Parameters

Service Flow	0.5 gpm (1.89 lpm)
Water Supply	Potable Water
Water Pressure	25-120 psi (172-827 kPa)
Water Temperature	33°F-100°F (0.6°C-38°C)
Capacity	170 gallons (643.5 liters)

It is essential that the manufacturer's recommended installation, maintenance and filter replacement requirements be carried out for the product to perform as advertised. See Installation Manual for Warranty information.

**NOTE:** While the testing was performed under standard laboratory conditions, actual performance may vary. Replacement Cartridge: RPWFE. For estimated costs of replacement elements please call 1.877.959.8688 or visit our website at [cafeappliances.com/parts](http://cafeappliances.com/parts)

## ⚠ WARNING To reduce the risk associated with ingestion of contaminants:

- Do not use with water that is microbiologically unsafe or of unknown quality without adequate disinfection before and after the system. Systems certified for cyst reduction may be used on disinfected water that may contain filterable cysts.

## NOTICE

To reduce the risk of water leakage or flooding, and to ensure optimal filter performance:

- Read and follow use instructions before installation and use of this system.
- Installation and use **MUST** comply with all state and local plumbing codes.
- Do not install if water pressure exceeds 120 psi (827 kPa). If your water pressure exceeds 80 psi, you **must** install a pressure-limiting valve. Contact a plumbing professional if you are uncertain how to check your water pressure.
- Do not install where water hammer conditions may occur. If water hammer conditions exist you **must** install a water hammer arrester. Contact a plumbing professional if you are uncertain how to check for this condition.
- Do not install on hot water supply lines. The maximum operating water temperature of this filter system is 100° F (38° C).
- Protect filter from freezing. Drain filter when temperatures drop below 33°F (0.6°C).
- Change the disposable filter cartridge every six months or sooner if you observe a noticeable reduction in water flow rate.
- Failure to replace the disposable filter cartridge at recommended intervals may lead to reduced filter performance and cracks in the filter housing, causing water leakage or flooding.
- This System has been tested according to NSF/ANSI 42, 53, 401 and P473 for the reduction of the substances listed below. The concentration of the indicated substances in water entering the system was reduced to a concentration less than or equal to the permissible limit for water leaving the system, as specified in NSF/ANSI 42, 53, 401 and P473.



RPWFE System is certified by IAPMO R&T against NSF/ANSI Standards 42, 53, 401, and P473 for the reduction of claims specified on the performance data sheet and at [iapmort.org](http://iapmort.org).



# Performance Data Sheet

## Model: GE Appliances XWFE

- System certified by IAPMO R&T against NSF/ANSI Standards 42, 53, 401, and P473 for the reduction of claims specified on the performance data sheet and at [iapmort.org](http://iapmort.org).
- Actual performance may vary with local water conditions.

Substance Tested for Reduction	Influent challenge concentration (mg/L)	Maximum permissible product water concentration (mg/L)	Avg % Reduction
Chlorine Taste and Odor	2.0 mg/L +/- 10%	N/A	96.9
Chloramine Taste and Odor	3.0 mg/L +/- 10%	0.5	96.9
Particulate, Class I	At least 10,000/mL	N/A	91.4
Cysts	50,000/L	N/A	>99.99
Lead	0.15	0.01	98.85
Mercury	0.006	0.002	96.3
Asbestos	107 to 108 fibers/L	N/A	>99
Toxaphene	0.015 +/- 10%	0.003	86.95
VOC (Chloroform surrogate chemical)	0.300	0.015	99.7
Alachlor	0.050	0.001	> 98
Atrazine	0.100	0.003	> 97
Benzene	0.081	0.001	> 99
Carbofuran	0.190	0.001	> 99
carbon tetrachloride	0.078	0.0018	98
chlorobenzene	0.077	0.001	> 99
chloropicrin	0.015	0.0002	99
2,4-D	0.110	0.0017	98
dibromochloropropane (DBCP)	0.052	0.00002	> 99
o-Dichlorobenzene	0.08	0.001	> 99
p-Dichlorobenzene	0.040	0.001	> 98
1,2-dichloroethane	0.088	0.0048	95
1,1-dichloroethylene	0.083	0.001	> 99
cis-1,2-dichloroethylene	0.170	0.0005	> 99
trans-1,2-dichloroethylene	0.086	0.001	> 99
1,2-dichloropropane	0.080	0.001	> 99
cis-1,3-dichloropropylene	0.079	0.001	> 99
dinoseb	0.170	0.0002	99
Endrin	0.053	0.00059	99
Ethylbenzene	0.088	0.001	> 99
ethylene dibromide (EDB)	0.044	0.00002	> 99
bromochloroacetonitrile	0.022	0.0005	98
dibromoacetonitrile	0.024	0.0006	98
dichloroacetonitrile	0.0096	0.0002	98
trichloroacetonitrile	0.015	0.0003	98
1,1-dichloro-2-propanone	0.0072	0.0001	99
1,1,1-trichloro-2-propanone	0.0082	0.0003	96
heptachlor (H-34, Heptox)	0.025	0.00001	>99
heptachlor epoxide	0.0107	0.0002	98
hexachlorobutadiene	0.044	0.001	> 98
hexachlorocyclopentadiene	0.060	0.000002	> 99
Lindane	0.055	0.00001	> 99
methoxychlor	0.050	0.0001	> 99
pentachlorophenol	0.096	0.001	> 99
simazine	0.120	0.004	> 97
Styrene	0.150	0.0005	> 99
1,1,1,2-tetrachloroethane	0.081	0.001	> 99
Tetrachloroethylene	0.081	0.001	> 99
Toluene	0.078	0.001	> 99
2,4,5-TP (silvex)	0.270	0.0016	99
tribromoacetic acid	0.042	0.001	> 98
1,2,4-Trichlorobenzene	0.160	0.0005	> 99
1,1,1-trichloroethane	0.084	0.0046	95
1,1,2-trichloroethane	0.150	0.0005	> 99
trichloroethylene	0.180	0.0010	> 99
bromoform	0.300	0.015	95
bromodichloromethane	0.300	0.015	95
chlorodibromomethane	0.300	0.015	95
xylenes	0.070	0.001	>99
Meprobamate	400 +/- 20%	60	95.5
Atenolol	200 +/- 20%	30	95.9
Carbamazepine	1400 +/- 20%	200	98.6
DEET	1400 +/- 20%	200	98.6
Metolachlor	1400 +/- 20%	200	98.7
Trimethoprim	140 +/- 20%	20	96.1
Linuron	140 +/- 20%	20	96.6
TCEP	5000 +/- 20%	700	98.1
TCCP	5000 +/- 20%	700	98.1
Phenytoin	200 +/- 20%	30	96
Ibuprofen	400 +/- 20%	60	95.9
Naproxen	140 +/- 20%	20	96.5
Estrone	140 +/- 20%	20	97.1
Bisphenol A	2000 +/- 20%	300	99.1
Nonyl phenol	1400 +/- 20%	200	97.3

### Application Guidelines/Water Supply Parameters

Service Flow	0.5 gpm (1.89 lpm)
Water Supply	Potable Water
Water Pressure	25-120 psi (172-827 kPa)
Water Temperature	33°F-100°F (0.6°C-38°C)
Capacity	170 gallons (643.5 liters)

It is essential that the manufacturer's recommended installation, maintenance and filter replacement requirements be carried out for the product to perform as advertised. See Installation Manual for Warranty information.

**NOTE:** While the testing was performed under standard laboratory conditions, actual performance may vary. Replacement Cartridge: XWFE. For estimated costs of replacement elements please visit our website at [cafeappliances.com](http://cafeappliances.com).

### **⚠ WARNING** To reduce the risk associated with ingestion of contaminants:

- Do not use with water that is microbiologically unsafe or of unknown quality without adequate disinfection before and after the system. Systems certified for cyst reduction may be used on disinfected water that may contain filterable cysts.

### NOTICE

To reduce the risk of water leakage or flooding, and to ensure optimal filter performance:

- Read and follow use instructions before installation and use of this system.
- Installation and use **MUST** comply with all state and local plumbing codes.
- Do not install if water pressure exceeds 120 psi (827 kPa). If your water pressure exceeds 80 psi (552 kPa), you **must** install a pressure-limiting valve. Contact a plumbing professional if you are uncertain how to check your water pressure.
- Do not install where water hammer conditions may occur. If water hammer conditions exist you **must** install a water hammer arrester. Contact a plumbing professional if you are uncertain how to check for this condition.
- Do not install on hot water supply lines. The maximum operating water temperature of this filter system is 100° F (38° C).
- Protect filter from freezing. Drain filter when temperatures drop below 33°F (0.6°C).
- Change the disposable filter cartridge every six months or sooner if you observe a noticeable reduction in water flow rate.
- Failure to replace the disposable filter cartridge at recommended intervals may lead to reduced filter performance and cracks in the filter housing, causing water leakage or flooding.
- This System has been tested according to NSF/ANSI 42, 53, 401, and P473 for the reduction of the substances listed below. The concentration of the indicated substances in water entering the system was reduced to a concentration less than or equal to the permissible limit for water leaving the system, as specified in NSF/ANSI 42, 53, 401, and P473.



XWFE System is certified by IAPMO R&T against NSF/ANSI Standards 42, 53, 401, and P473 for the reduction of claims specified on the performance data sheet and at [iapmort.org](http://iapmort.org).



# Consumer Support

---

## Café Website

Have a question or need assistance with your appliance? Try the Café website 24 hours a day, any day of the year! You can also shop for more great Café products and take advantage of all our on-line support services designed for your convenience. In the US: [cafeappliances.com](http://cafeappliances.com)

---

## Register Your Appliance

Register your new appliance on-line at your convenience! Timely product registration will allow for enhanced communication and prompt service under the terms of your warranty, should the need arise. You may also mail in the pre-printed registration card included in the packing material. In the US: [cafeappliances.com/register](http://cafeappliances.com/register)

---

## Schedule Service

Expert Café repair service is only one step away from your door. Get on-line and schedule your service at your convenience any day of the year. In the US: [cafeappliances.com/service](http://cafeappliances.com/service)

---

## Extended Warranties

Purchase a Café extended warranty and learn about special discounts that are available while your warranty is still in effect. You can purchase it on-line anytime. Café Service will still be there after your warranty expires. In the US: [cafeappliances.com/extended-warranty](http://cafeappliances.com/extended-warranty)

---

## Remote Connectivity

For assistance with wireless network connectivity (for models with remote enable), visit our website at [cafeappliances.com/connect](http://cafeappliances.com/connect)

---

## Parts and Accessories

Individuals qualified to service their own appliances can have parts or accessories sent directly to their homes (VISA, MasterCard and Discover cards are accepted). Order on-line today 24 hours every day. In the US: [cafeappliances.com/parts](http://cafeappliances.com/parts)

**Instructions contained in this manual cover procedures to be performed by any user. Other servicing generally should be referred to qualified service personnel. Caution must be exercised, since improper servicing may cause unsafe operation.**

---

## Contact Us

If you are not satisfied with the service you receive from Café, contact us on our website with all the details including your phone number, or write to:

In the US: General Manager, Customer Relations | Café Appliances, Appliance Park | Louisville, KY 40225  
[cafeappliances.com/contact](http://cafeappliances.com/contact)

# CAFÉ

DISTINCT BY DESIGN™

## Manuel d'utilisation et d'installation

### Réfrigérateurs à congélateur en bas

Les numéros de modèle commençant par CFE sont des modèles de profondeur normale (PN).

Les numéros de modèle commençant par CYE et CWE sont des modèles de profondeur de comptoir (PC).

#### Contents

<b>Consignes de sécurité</b> .....	3	<b>Instructions d'installation</b>	
<b>Consignes d'utilisation</b>		Préparation avant installation du réfrigérateur .....	24
Fonctions .....	6	Installation du réfrigérateur .....	26
Commandes .....	8	Installation du support anti-basculement .....	33
Distributeur .....	11	Installation de l'alimentation en eau .....	38
Filtre à eau .....	12	<b>Conseils de dépannage</b> .....	41
Eau chaud .....	13	Fonctionnement normal .....	41
Infuseur à dose unique K-Cup de Keurig .....	14	Entretien - Mythe ou réalité .....	45
Communications des électroménagers .....	15	<b>Garantie limitée</b> .....	47
Options de stockage des produits frais .....	16	<b>Assistance à la clientèle</b>	
Zone climatisée & Tiroir à température contrôlée .....	18	Certificat de garantie du filtre à eau	
Congélateur .....	20	à cartouche RPWFE .....	48
Machine à glaçons automatique .....	21	Données de performance .....	49
<b>Entretien et nettoyage</b> .....	22	Assistance à la clientèle .....	52
Remplacement des ampoules .....	23		

Transcrivez les numéros de modèle et de série ici :

Numéro de modèle : \_\_\_\_\_

Numéro de série : \_\_\_\_\_

Vous trouverez ces numéros sur l'étiquette apposée sur le côté gauche à mi-hauteur du compartiment de réfrigération.

**FRANÇAIS**

## NOUS VOUS REMERCIONS D'ACCUEILLIR CAFÉ CHEZ VOUS

---

Nous sommes fiers du savoir-faire, de l'innovation et de l'esthétique qui composent chaque appareil Café, et nous pensons que vous le serez aussi. Dans cette optique, nous vous rappelons que l'enregistrement de votre électroménager vous assure la communication de renseignements importants sur le produit et la garantie lorsque vous en avez besoin.

Enregistrez votre électroménager Café en ligne dès maintenant. Des sites Web utiles figurent dans la section Soutien au consommateur de ce manuel d'utilisation. Vous pouvez aussi poster la fiche de garantie pré-imprimée incluse dans l'emballage.

**C A F É**

---

DISTINCT BY DESIGN™

# INFORMATION DE SÉCURITÉ IMPORTANTES

## LISEZ TOUTES LES DIRECTIVES AVANT D'UTILISER L'APPAREIL

**⚠ AVERTISSEMENT** Pour réduire le risque d'incendie, d'explosion, de choc électrique ou de blessures lorsque vous utilisez votre réfrigérateur, veuillez suivre ces consignes de sécurité :

- Ce réfrigérateur doit être correctement installé conformément aux Consignes d'Installation avant toute utilisation.
- Débranchez le réfrigérateur avant d'effectuer une réparation, de remplacer une ampoule ou de le nettoyer.  
**Remarque** : L'alimentation du réfrigérateur ne peut être déconnectée par aucune des fonctions sur le panneau de commande.  
**Remarque** : Les réparations doivent être effectuées par un professionnel qualifié.
- Remettez toutes les pièces et panneaux en place avant d'utiliser l'appareil.
- N'utilisez pas un cordon de rallonge.
- Abstenez-vous d'entreposer ou d'utiliser de l'essence ou d'autres vapeurs et liquides inflammables aux alentours de cet électroménager ou d'autres appareils.
- N'entreposez pas dans cet électroménager des substances explosives telles que des bombes aérosols qui contiennent un gaz propulseur.
- Pour éviter les risques d'asphyxie et d'enfermement pour les enfants. Démontez les portes du congélateur et du compartiment de réfrigération avant de le mettre au rebut ou d'interrompre son utilisation.
- Afin de prévenir les accidents graves ou la mort, les enfants ne doivent pas se tenir ni jouer dans ou sur l'électroménager.
- Les enfants et les personnes dont les capacités sont réduites sur le plan physique, sensoriel ou mental, ou qui manquent d'expérience ou de connaissances, peuvent utiliser cet électroménager seulement si elles sont surveillées ou ont reçues des consignes de sécurité sur son usage et les risques y sont associés.
- Cet électroménager est conçu pour une utilisation domestique et applications similaires : salle du personnel dans une usine, un bureau ou d'autres lieux de travail; maison de ferme; clients dans un hôtel, un motel, un gîte touristique et d'autres lieux résidentiels; approvisionnement et applications similaires non reliées au commerce de détail.
- N'appliquez pas de nettoyants corrosifs sur le réfrigérateur. Certains nettoyants endommagent le plastique et peuvent ainsi causer le détachement inopiné de pièces telles que porte ou poignées de porte. Voyez la section Entretien et nettoyage pour des instructions détaillées.
- Connectez-vous à l'alimentation en eau potable uniquement avec une pression d'eau maximale de 120 psi (827 kilopascals).

**⚠ ATTENTION** Pour réduire le risque de blessures lorsque vous utilisez votre réfrigérateur, veuillez suivre ces consignes de sécurité.

- Ne nettoyez pas les clayettes ou les couvercles en verre avec de l'eau tiède quand ceux-ci sont froids. Les clayettes et couvercles en verre peuvent se casser s'ils sont exposés à des changements soudains de température ou si vous les cognez ou les faites tomber. Le verre trempé est conçu pour se briser en petits morceaux en cas de casse
- Éloignez les doigts des parties du congélateur où l'on peut facilement se pincer : les espaces entre les portes, et entre les portes et les placards sont toujours étroits. Soyez prudent lorsque vous fermez les portes en présence d'enfants.
- Ne recongelez pas les aliments surgelés qui ont complètement dégelé.
- Si votre réfrigérateur est doté d'une machine à glaçons automatique, évitez le contact avec les pièces mobiles du mécanisme éjecteur, ou avec l'élément chauffant qui libère les glaçons. Ne posez pas les doigts ou les mains sur le mécanisme de la machine à glaçons automatique pendant que le réfrigérateur est branché.

## INSTALLATION

**⚠ AVERTISSEMENT** RISQUE D'INCENDIE OU D'EXPLOSION

Gardez les matières et les vapeurs inflammables à l'écart du réfrigérateur.

**⚠ AVERTISSEMENT**  RISQUE DE BASCULEMENT

Si une ferrure antibasculement est incluse avec votre réfrigérateur, installez-la pour empêcher le réfrigérateur de basculer vers l'avant, ce qui pourrait occasionner des blessures graves ou mortelles. Veuillez lire et observer l'intégralité des instructions d'installation pour connecter cette ferrure à votre réfrigérateur.

# LIRE ET CONSERVER CES INSTRUCTIONS



# INFORMATION DE SÉCURITÉ IMPORTANTES

## LISEZ TOUTES LES DIRECTIVES AVANT D'UTILISER L'APPAREIL

### BRANCHEMENTS ÉLECTRIQUES

#### ⚠ AVERTISSEMENT



#### RISQUE DE CHOC ÉLECTRIQUE

Branchez l'appareil dans une prise triple avec terre.

Ne retirez pas la broche de terre.

N'utilisez pas d'adaptateur.

N'utilisez pas un cordon de rallonge.

Le non-respect de ces instructions peut entraîner des risques d'incendies, des chocs électriques ou la mort.

**Ne coupez pas ou n'enlevez pas, sous aucun prétexte, la troisième broche de mise à la terre du cordon d'alimentation. Pour des raisons de sécurité, cet appareil doit être correctement mis à la terre.**

Le cordon d'alimentation de cet appareil est équipé d'une fiche à trois broches (pour une mise à la terre) qui s'adapte à la prise de courant standard à 3 broches (pour une mise à la terre) pour minimiser les risques de chocs électriques par cet appareil.

Faites vérifier la prise murale et le circuit électrique par un électricien qualifié pour s'assurer que le système est correctement mis à la terre.

Dans le cas d'une prise biphasée, l'installateur a la responsabilité et l'obligation de la remplacer par une prise triphasée correctement mise à la terre. N'utilisez pas d'adaptateur.

Le réfrigérateur doit toujours être branché à sa propre prise électrique d'une tension nominale correspondant à celle indiquée sur sa plaque signalétique.

Une alimentation électrique à 115 volts CA, 60 Hz, avec un fusible de 15 ou 20 ampères et une mise à la terre est nécessaire. Ceci permet d'obtenir un meilleur rendement et évite de surcharger les circuits électriques du domicile qui risque d'occasionner un incendie en surchauffant.

Ne débranchez jamais le réfrigérateur en tirant sur le cordon d'alimentation. Prenez toujours fermement la fiche en main et tirez pour la sortir de la prise.

Réparez ou remplacez immédiatement tout cordon électrique usé ou endommagé. N'utilisez pas un cordon fissuré ou présentant des dommages dus aux frottements soit sur sa longueur ou aux extrémités.

Lorsque vous éloignez votre réfrigérateur du mur, faites attention à ne pas le faire rouler sur le cordon d'alimentation afin de ne pas l'endommager.

### MISE AU REBUT APPROPRIÉE DE VOTRE ANCIEN RÉFRIGÉRATEUR

#### ⚠ AVERTISSEMENT

#### RISQUE DE SUFFOQUER OU D'Y ÊTRE EMPRISONNÉ

Le non-respect de ces instructions d'élimination peut entraîner la mort ou des blessures graves.

**IMPORTANT:** Les enfants pris au piège ou morts d'asphyxie sont toujours d'actualité. Les réfrigérateurs et congélateurs abandonnés sont toujours aussi dangereux, même si on n'attend que «quelques jours» pour s'en débarrasser. Si vous ne gardez pas votre ancien réfrigérateur ou congélateur, veuillez suivre les directives ci-dessous afin de prévenir les accidents.

#### Avant de vous débarrasser de votre ancien appareil :

- Démontez les portes du compartiment de réfrigération et du compartiment de congélation.
- Laissez les clayettes en place afin d'empêcher les enfants de grimper à l'intérieur.

#### Mise au rebut des produits réfrigérants et en mousse

Mettez l'électroménager au rebut conformément à la réglementation fédérale et locale. Les réfrigérants ainsi que le matériau d'isolation utilisés exigent des procédures d'élimination particulières. Communiquez avec les autorités locales pour connaître la façon de mettre votre électroménager au rebut qui soit respectueuse de l'environnement.

## LIRE ET CONSERVER CES INSTRUCTIONS

# INFORMATION DE SÉCURITÉ IMPORTANTES

## LISEZ TOUTES LES DIRECTIVES AVANT D'UTILISER L'APPAREIL

### DISTRIBUTEUR D'EAU CHAUDE

#### ▲ AVERTISSEMENT



#### Risque de brûlures.

Le distributeur d'eau chaude peut chauffer l'eau jusqu'à une température d'environ 185°F (85°C). Une eau à une température dépassant 125°F (52°C) peut provoquer des brûlures graves ou la mort par ébouillement. Les enfants, les personnes handicapées et les personnes âgées sont plus à risque de se brûler.

**Utilisez uniquement cet appareil pour l'usage auquel il est destiné tel que décrit dans le manuel d'utilisation. Pour réduire le risque de brûlures graves, de blessures par ébouillement voire la mort lors de l'utilisation de votre distributeur d'eau chaude, veuillez suivre les consignes suivantes :**

- Ne laissez pas le contenant sans surveillance en présence d'enfants pendant et après la distribution d'eau chaude.
- Ne laissez pas les enfants utiliser le distributeur d'eau chaude.
- Il est nécessaire de faire pivoter et d'enfoncer le bouton de distribution d'eau chaude. Ces deux mouvements réduisent les risques de faire couler l'eau chaude involontairement ou de permettre à de jeunes enfants de se servir. N'altérez pas ou ne modifiez pas le bouton de distribution d'eau chaude.
- L'eau provenant du distributeur est très chaude. Soyez extrêmement prudent lors de la distribution et de l'utilisation de l'eau. Laissez refroidir l'eau à une température appropriée à sa consommation avant de la boire. Tenez votre tasse ou votre récipient à côté de la sortie d'eau chaude pour éviter que l'eau chaude n'éclabousse votre main.
- Lors de la distribution d'eau chaude, le récipient peut devenir très chaud. Utilisez un récipient isolant thermique, tel que la céramique ou la mousse de polystyrène. L'utilisation d'un récipient en papier ou plastique peut provoquer des brûlures tout en tenant la tasse. N'utilisez pas de récipients en verre. Il pourrait se casser en raison d'un choc thermique ce qui pourrait entraîner des brûlures ou des coupures.
- Suivez toujours les instructions du fabricant de la préparation pour nourrisson et vérifiez la température de la préparation avant le repas. Vérifiez toujours la température de l'eau avant d'alimenter.
- Lors de la première utilisation du distributeur d'eau chaude, vérifiez si vous vivez à une altitude supérieure à 1525 mètres (5000 pieds / haute altitude). Cette altitude limite la température du dispositif d'eau chaude pour éviter l'ébullition. Pour accéder à la sélection de haute altitude, allez au menu des réglages.
- Une cartouche de filtre à eau nouvellement installée peut provoquer des éclaboussures en sortie du distributeur. Faites passer 2 gallons (7,5 litres) d'eau dans le distributeur d'eau froide (pendant environ 5 minutes) pour purger l'air du système. Tant que l'air dans le système n'a pas été purgé par le distributeur d'eau froide, N'utilisez PAS le distributeur d'eau chaude. L'air dans le circuit pourrait provoquer des éclaboussures d'eau chaude et donc provoquer des brûlures.
- N'utilisez pas une eau qui est microbiologiquement insalubre ou de qualité inconnue.
- Le distributeur d'eau chaude est conçu pour distribuer uniquement de l'eau. N'essayez pas de réchauffer ou de verser un autre liquide que de l'eau. Ne tentez pas de démonter ou de nettoyer le réservoir.
- Ne modifiez pas le système d'eau chaude. Les réparations doivent s'effectuer avec des pièces de rechange d'usine seulement.

**Lisez l'étiquette signalétique pour connaître le type de réfrigérant. S'il s'agit du R600a, observez les consignes de l'avertissement ci-dessous**

#### ▲ AVERTISSEMENT

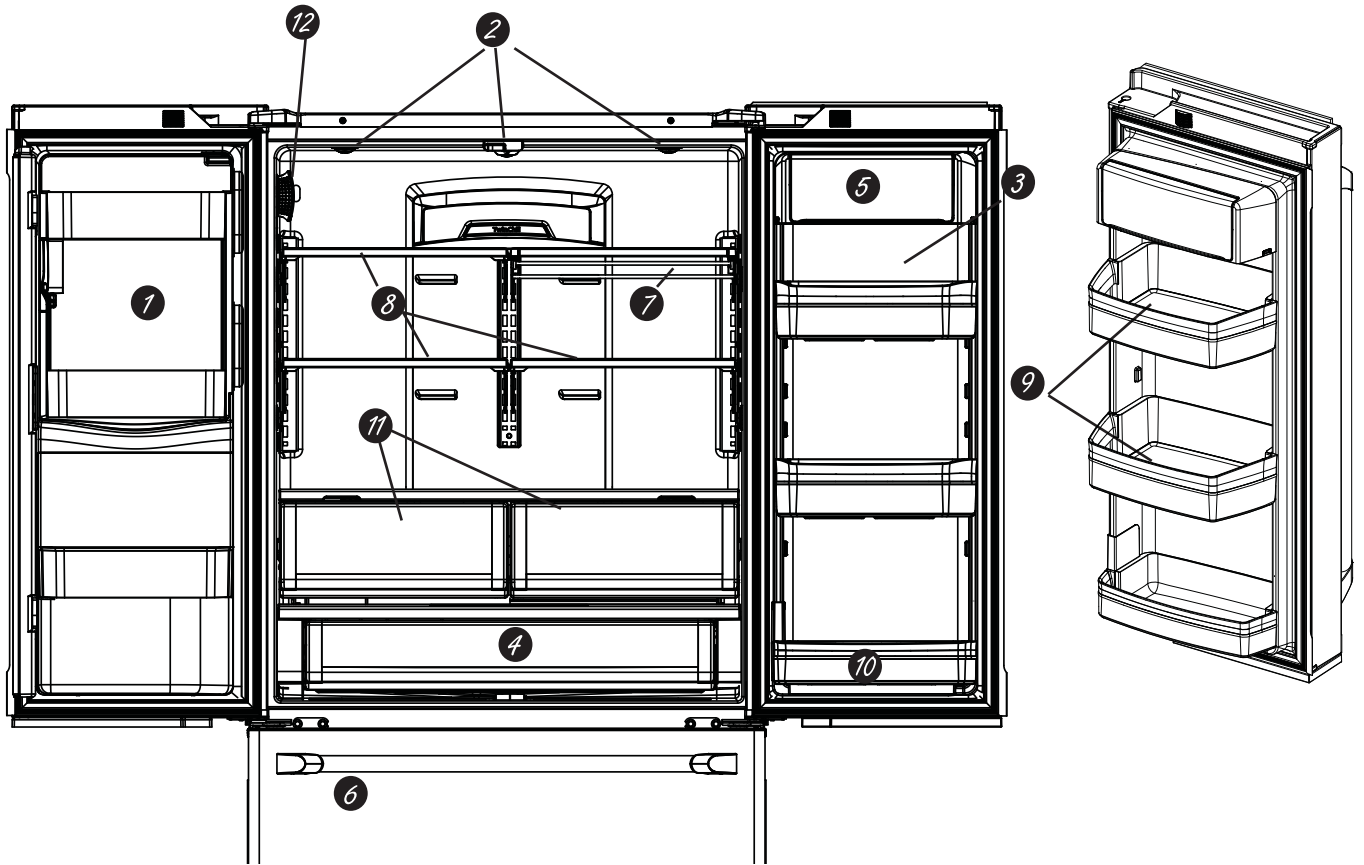


#### RISQUE D'INCENDIE OU D'EXPLOSION Réfrigérant inflammable

**Cet appareil contient un gaz réfrigérant avec isobutane aussi connu sous R600a, un gaz naturel à compatibilité élevée avec l'environnement. Il s'agit cependant d'un combustible. Observez les consignes de sécurité ci-dessous afin de réduire le risque de blessure ou de dommage à la propriété.**

1. Lors de la manipulation, de l'installation et de l'utilisation de cet appareil, prenez soin de ne pas endommager la tubulure du réfrigérant.
2. L'entretien ou la réparation doivent être effectués par un personnel de service autorisé. Utilisez seulement des pièces de rechange autorisées par le fabricant.
3. Mettez le réfrigérateur au rebut conformément aux réglementations fédérales et locales. Le gaz réfrigérant inflammable et les matériaux d'isolation utilisés dans ce produit requièrent des procédures de mise au rebut spéciales. Communiquez avec les autorités locales compétentes pour la mise au rebut de votre réfrigérateur sans danger pour l'environnement.
4. N'obstruez pas les orifices de ventilation dans les enceintes ou la structure d'encastrement de l'appareil.
5. Pour enlever le givre, grattez à l'aide d'un grattoir ou d'une spatule en plastique ou en bois. N'utilisez pas de pic à glace ou un instrument métallique à bord tranchant pour éviter de perforer la cuve interne du congélateur et la tubulure du gaz réfrigérant derrière cette dernière.
6. N'utilisez pas d'appareils électriques dans le compartiment de rangement des aliments de cet appareil.
7. N'utilisez aucun appareil électrique pour dégivrer votre congélateur.

## Fonctions

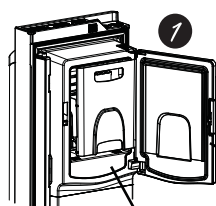


- 1 Machine à glaçons à faible encombrement \***  
La machine à glaçons et son bac sont situés sur la porte permettant d'avoir un espace de stockage plus spacieux.
- 2 Éclairage à DEL**  
L'éclairage à DEL est placé dans tout le compartiment pour éclairer différentes zones du réfrigérateur. Des DEL sont situées sous la porte du réfrigérateur pour éclairer le congélateur lorsque celui-ci est ouvert.
- 3 Plateau rabattable\***  
Permet un espace de stockage dans la porte en cas de besoin. Il se replie lorsqu'il ne sert pas.
- 4 tiroir de pleine largeur à température contrôlée**  
Bac à température contrôlée qui peut accueillir les produits les plus volumineux.
- 5 Bac à produits laitiers\***  
Compartiment séparé pour vos produits.
- 6 Seau/Machine à glaçons\***  
Machine à glaçons avec bacs de stockage des glaçons.
- 7 Clayette QuickSpace™ \***  
Elle s'utilise comme une clayette normale de pleine largeur. Elle se glisse vers l'arrière pour stocker des produits hauts..
- 8 Clayettes anti-débordements**  
Conçues pour empêcher les aliments renversés de couler et permettre ainsi un nettoyage facile.
- 9 Tapis antidérapant\***  
Doublure qui recueille les renversements, empêche les contenants de bouger à l'ouverture de la porte et se retire aisément pour le nettoyage.
- 10 Bac amovible à condiments**  
Bac séparé conçu pour faciliter le retrait et le stockage.
- 11 Bac climatisé**  
Bacs séparés pour le stockage des produits.
- 12 Filtre à eau**  
Filtre l'eau et l'eau destinée à se transformer en glace.

\*Certains modèles seulement

## 1 Bac à glace de porte\*

1. Ouvrez la porte gauche du compartiment de réfrigération.
2. Tirez le loquet vers le bas pour ouvrir la porte du bac.
3. A l'aide de la poignée, soulevez le seau à glace pour libérer les repères au fond du bac.
4. Pour remettre le seau à glace, placez-le sur les guides et enfoncez-le jusqu'à ce qu'il soit correctement en place.
5. Si vous n'arrivez pas à le remettre, faites tourner la fourche d'1/4 de tour dans le sens des aiguilles d'une montre.

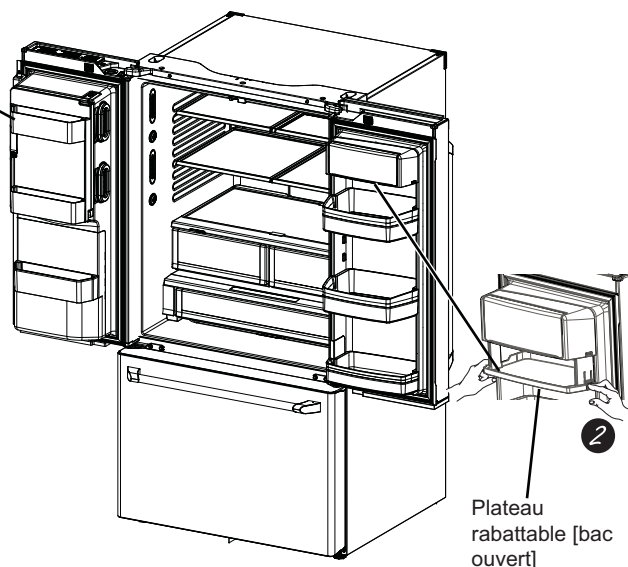


Loquet

Seau à glace

## 2 Bac rabattable pour les produits laitiers\*

1. Ouvrez la porte droite du compartiment de réfrigération.
2. Appuyez sur les deux boutons sur les côtés inférieurs et le bac s'ouvrira.
3. Faites la manœuvre en sens inverse pour le réinstaller.



2

Plateau rabattable [bac ouvert]

## 3 Filtre à eau/à glace

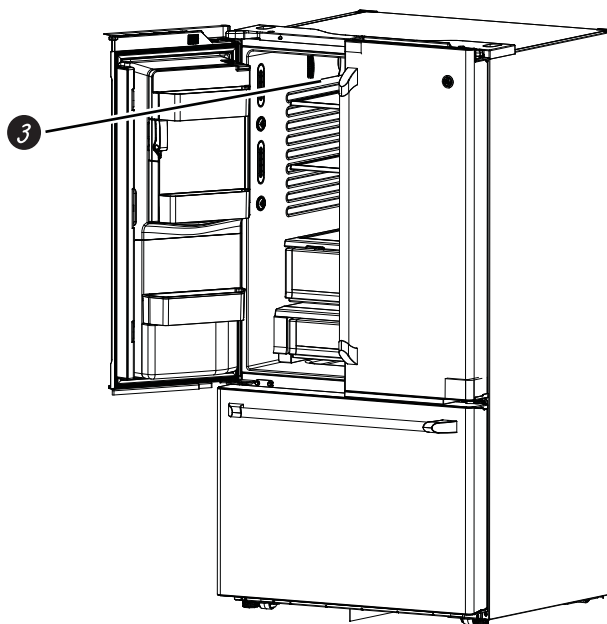
### Retrait du filtre et du bouchon de dérivation

Poussez sur l'encoche sur le couvercle et ouvrez la porte du filtre. Si votre réfrigérateur en est équipé, retirez le bouchon du filtre/de dérivation puis tirez directement vers l'arrière pour sortir le filtre.

### Installation de la cartouche filtrante

Poussez sur l'encoche au bas du couvercle et ouvrez celui-ci. Soulevez la porte et alignez les languettes du filtre avec celle du support de filtre et appuyez sur le filtre pour le positionner correctement.

REMARQUE : Certifié pour réduire les oocystes résistant au chlore, le plomb, certains produits pharmaceutiques, et plus.



3

## ⚠ AVERTISSEMENT



Risque

### d'ébullition.\*

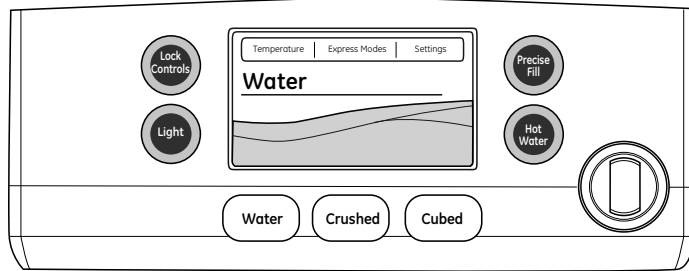
L'utilisation du distributeur d'eau chaude avant l'évacuation de l'air du système peut provoquer un jaillissement d'eau très chaude causant des brûlures. Suivez les instructions sous « Filtre à eau – Étape 3 » à la page 12 pour expulser l'air du système par le distributeur d'eau froide avant d'utiliser le distributeur d'eau chaude.

**À la première utilisation de la fonction d'eau chaude, indiquez si vous vivez au-dessus de 1524 mètres (5000 pieds – haute altitude). Cela limite la température du système d'eau chaude afin de prévenir l'ébullition. Pour accéder à l'option de haute altitude, reportez-vous à la section Commandes.**

\*Certains modèles seulement

# Commandes

## Commandes des modèles CYE/CFE



### Modification de la température pour un style de contrôle CYE/CFE

**Pour modifier la température du réfrigérateur :**

**Activez par :** Bouton de température Temperature

**Activez par :** Sous le mot "réfrigérateur", utilisez les flèches pour sélectionner la température désirée. Appuyez sur **TERMINÉ** pour retourner au menu **ACCUEIL**.

**Pour changer la température du congélateur :**

**Accédez par :** Bouton de température Temperature

**Activez par :** Sous le mot "congélateur", utilisez les flèches pour sélectionner la température désirée.

Appuyez sur **TERMINÉ** pour retourner au menu **ACCUEIL**.

Pour désactiver le système de refroidissement, accédez aux commandes **PARAMÈTRES** par l'écran d'accueil. Passez à la page suivante puis touchez **REFROIDISSEMENT ACTIVÉ**. Appuyez sur **TERMINÉ** pour revenir à l'écran d'accueil.

Pour activer le système de refroidissement, accédez aux commandes **PARAMÈTRES** par l'écran d'accueil. Passez à la page suivante puis touchez **REFROIDISSEMENT DÉSACTIVÉ**. Appuyez sur **TERMINÉ** pour revenir à l'écran d'accueil.

Désactiver le système de refroidissement arrête le refroidissement au réfrigérateur, mais il ne coupe pas le courant électrique.

**REMARQUE :** Pour une température optimale, il est recommandé d'éviter de placer la nourriture ou d'autres produits directement devant les bouches de circulation d'air ou devant la tour de ventilation autour des aliments frais, empêchant ainsi le flux d'air.

## Commandes des modèles CWE



### Changer la temp., pour le type de commande CWE

L'affichage de la température est situé à l'intérieur de la porte du réfrigérateur à gauche. Pour changer la température, appuyez et relâchez la languette **RÉFRIGÉRATEUR** ou **CONGÉLATEUR**. Pour modifier la température, appuyez soit sur **RÉFRIGÉRATEUR** ou **CONGÉLATEUR** jusqu'à ce que la température souhaitée soit affichée.

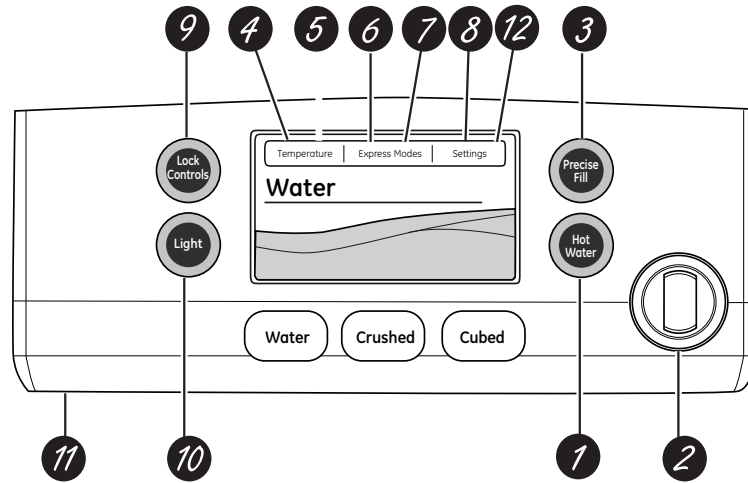
Appuyez sur **TERMINÉ** pour retourner au menu **ACCUEIL**.

Pour **DÉSACTIVER** le système de refroidissement, appuyez sur la languette **RÉFRIGÉRATEUR** ou **CONGÉLATEUR** pendant 3 seconds. Lorsque le système de refroidissement est **DÉSACTIVÉ** l'affichage doit indiquer **DÉSACTIVÉ**.

Pour **ACTIVER** le système de refroidissement, appuyez sur la languette **RÉFRIGÉRATEUR** ou **CONGÉLATEUR**. L'écran affiche les réglages de température pré-réglés de **3° C (37° F)** pour un réfrigérateur et **-18° C (0° F)** pour un congélateur. Désactiver le système de refroidissement arrête le refroidissement au réfrigérateur, mais il ne coupe pas le courant électrique.

## Style de commandes A, Commandes externes

Modèles CFE/CYE



**REMARQUE:** Le réfrigérateur est livré avec un film protecteur sur les commandes de températures. Si le film n'a pas été retiré pendant l'installation, retirez-le maintenant.

Les commandes de températures sont pré-réglées en usine à 37°F (3°C) pour le compartiment réfrigérateur et à 0°F (-18°C) pour le compartiment congélateur. Veuillez attendre 24 heures pour que la température se stabilise au pré-réglage recommandé.

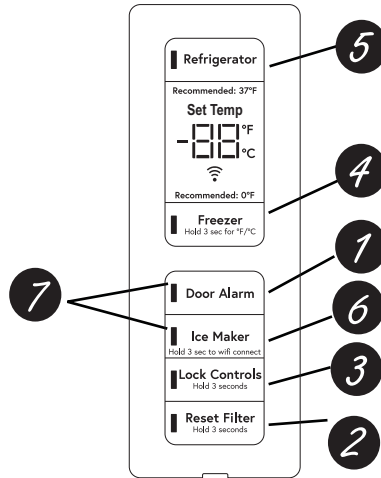
Les commandes de températures peuvent afficher les températures SET (fixées) ainsi que les températures réelles à l'intérieur du réfrigérateur et du congélateur. La température actuelle peut légèrement varier de la température SET (fixée) suivant les conditions d'utilisation et de fonctionnement.

- 1 Eau chaude**  
Permet de produire jusqu'à 10 onces d'eau chaude filtrée à des températures variant de 90°F (32°C) à 185°F (85°C) sélectionnées par l'utilisateur.
  - 2 Bouton d'eau chaude**  
S'allume pour indiquer que l'eau chaude est prête. Nécessite deux mouvements pour verser l'eau : tournez dans le sens inverse des aiguilles d'une montre puis appuyez pour verser.
  - 3 Réglage du remplissage précis**  
Distribue l'eau filtrée et mesurée de façon précise à l'aide de la commande manuelle, en onces, tasses, pintes ou litres.
  - 4 Gestion de la température du réfrigérateur**  
Ajuster la température du compartiment congélateur.
  - 5 Gestion de la température du compartiment pour les aliments frais**  
Ajuster la température du compartiment pour les aliments frais.
  - 6 Réglage du TurboFreeze<sup>MC</sup>**  
Activer le TurboFreeze pour une restauration rapide de la température du congélateur après que la porte ait fréquemment été ouverte.
  - 7 Réglage du TurboCool<sup>MC</sup>**  
Activer le TurboCool pour une restauration rapide de la température du compartiment pour les aliments frais après que la porte ait fréquemment été ouverte.
  - 8 Réglage du taux d'humidité**  
Le taux d'humidité peut être réglé sur normal ou élevé. Humidity setting can be normal or high.
  - 9 Commandes de verrouillage**  
Appuyer pendant 3 secondes pour verrouiller le distributeur de glace et d'eau ainsi que tous les boutons de commandes et de température.
  - 10 Lumière DEL du distributeur**  
Lumière DEL qui peut être allumée pour éclairer votre distributeur.
  - 11 Chargement de photos**  
Insérez une clé USB pour charger des photos personnelles à l'écran LCD du réfrigérateur. L'écran vous guidera dans le chargement et le visionnement du diaporama. Assurez-vous que les photos sont dans le répertoire racine de votre clé USB.
  - 12 Réglages additionnels**
    - Prêt pour connexion à la maison
    - Diaporama
    - Réinstallation du filtre à eau
    - Machine à glaçons en marche/éteinte
    - Avertisseur sonore de la porte
    - Gestion du son
    - Système de réfrigération en marche/éteint
    - Unités de mesure métriques/anglaises
    - Altitude
- Modes additionnels :
- **Mode Sabbath**  
Appuyer simultanément pendant trois secondes sur le bouton de verrouillage et sur celui de la lumière pour activer ou désactiver le mode Sabbath. Le mode Sabbath éteindra les lampes intérieures (ou réduira leur éclairage) et désactivera le contrôle de la température et les fonctions avancées. Lorsqu'il sera en mode Sabbath, le compresseur sera alimenté par une décongélation programmée.

# Commandes

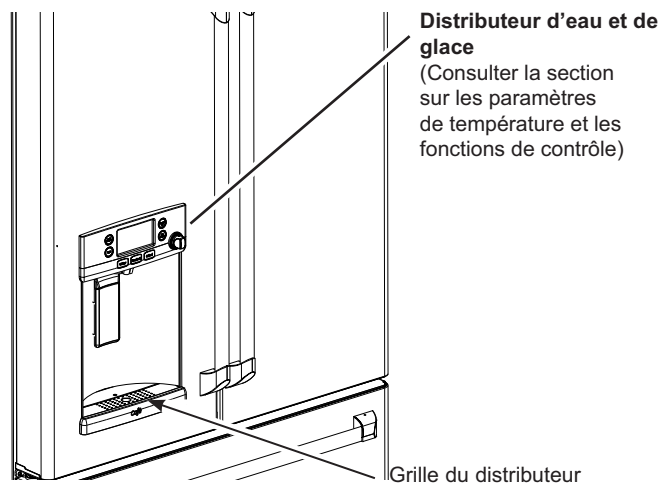
## Style de commandes B, Commandes internes

Modèles CWE



- 1 Avertisseur sonore de la porte**  
Vous entendrez un avertissement sonore lorsque la porte du congélateur ou celle du compartiment pour les aliments frais aurait été laissée ouverte.
- 2 Réinstallation du filtre**  
Appuyer pendant 3 secondes après avoir replacé le filtre.
- 3 Commandes de verrouillage**  
Appuyer pendant 3 secondes pour verrouiller le distributeur de glace et d'eau ainsi que tous les boutons de commandes et de température.
- 4 Gestion de la température du congélateur**  
Ajuster la température du compartiment congélateur.
- 5 Gestion de la température du réfrigérateur**  
Ajuster la température du compartiment pour les aliments frais.
- 6 Réglage de la machine à glaçons**  
Mettre en marche ou éteindre vos machines à glaçons.
- 7 Mode Sabbath**  
Maintenir une pression simultanément sur Door Alarm (alerte de porte) et Ice Maker (machine à glaçons) durant 5 secondes pour passer en mode Sabbath ou le quitter.

# A propos du distributeur (Commandes des modèles CYE/CFE)



## ⚠ AVERTISSEMENT

### Risque de lacération

- N'introduisez jamais les doigts ou tout autre objet dans l'ouverture de sortie du broyeur de glace. Vous risqueriez de toucher les lames du broyeur de glace et entraîner des blessures graves, voire une amputation.
- Utilisez un verre robuste lorsque vous prenez les glaçons. Un verre fragile pourrait se casser et occasionner une blessure.

Si l'eau n'est pas distribuée lorsque le réfrigérateur vient d'être installé, il y a peut-être de l'air dans le conduit d'eau. Appuyez sur le bras du distributeur pendant au moins cinq minutes pour purger l'air contenu dans le conduit d'alimentation en eau et ainsi remplir ce dernier d'eau. Afin d'éliminer les impuretés du système, jetez les six premiers verres d'eau.

### Pour retirer la grille du distributeur

- Tirez la grille du distributeur vers vous jusqu'à la butée.
- Localisez la languette centrale sur le fond de la grille et appuyez.
- Tirez l'ensemble de la grille du distributeur vers vous.
- Soulevez la grille métallique du distributeur de métal par l'encoche centrale pour la nettoyer.

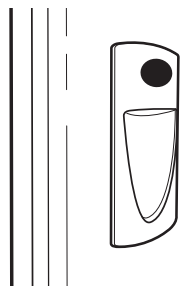
### Pour remettre la grille du distributeur

- Placez le couvercle de la grille du distributeur sur le dessus de la clayette de récupération et placez-le sous les deux pattes en plastique de chaque côté.
- Centrez la grille du distributeur et alignez-la à l'aide des guides centraux.
- Poussez jusqu'à ce qu'elle soit bien en place.

## Informations importantes concernant votre distributeur

- N'ajoutez pas de glaçons provenant des bacs ou de sac à glaçons au seau de la machine à glaçons de la porte. Ils peuvent être difficile à piler ou à distribuer.
- Évitez de trop remplir les verres de glaçons et d'utiliser des verres étroits. La glace accumulée peut bloquer le conduit ou peut geler le volet en position fermée. Si des glaçons bloquent le conduit, retirer le seau à glace et faites-les passer à l'aide d'une cuillère en bois.
- Ne placez pas de boisson ou d'aliment dans le bac de la machine à glaçons pour les refroidir rapidement. Les canettes, bouteilles et paquets alimentaires peuvent bloquer la machine à glaçons ou la vis sans fin.
- Pour éviter que la glace distribuée ne manque le verre, placez ce dernier à proximité de l'ouverture du distributeur, mais sans la toucher.
- Il est possible que de la glace pilée soit distribuée même si vous avez choisi CUBED ICE (glaçons). Cela se produit de temps à autre lorsque plusieurs glaçons sont accidentellement acheminés vers le broyeur.
- Après distribution de glace pilée, de l'eau peut s'écouler du conduit.
- Parfois, un peu de givre se forme sur le volet du conduit à glace. Ce phénomène est normal et se produit en général après des distributions répétées de glace pilée. Le givre va éventuellement s'évaporer.

## Pour utiliser le distributeur d'eau interne (Modèles CWE seulement)



Le distributeur d'eau est situé sur le mur intérieur gauche du compartiment réfrigérateur.

### Pour la distribution d'eau :

1. Placer le verre contre la cavité.
2. Appuyer sur le bouton du distributeur d'eau.
3. Tenir le verre sous le distributeur pendant 2 ou 3 secondes après avoir relâché le bouton du distributeur. L'eau pourrait continuer à couler après que le bouton ait été relâché.

Si l'eau ne coule pas lorsque le distributeur est utilisé pour la première fois, il se pourrait qu'il y ait de l'air dans le système de conduites d'eau. Appuyez sur le bouton du distributeur pendant au moins 5 minutes pour permettre à l'air emprisonné de sortir des conduites et pour permettre à l'eau de les remplir. Il se pourrait que le distributeur émette beaucoup de bruit pendant le processus; ce bruit sera provoqué par la sortie de l'air des conduites d'eau. Afin de nettoyer les conduites d'eau de toute impureté, jetez les 6 premiers verres d'eau qui sortiront du distributeur.

**NOTE :** Pour éviter l'accumulation d'eau, le distributeur devrait être essuyé de temps à autre à l'aide d'un chiffon ou d'une éponge propre.



# Cartouche filtrante à eau

## Cartouche filtrante à eau

La cartouche filtrante à eau est située sur la paroi gauche de l'intérieur du compartiment réfrigérateur, dans le haut. Certains modèles utilisent l'identification par radiofréquence (IRF) pour détecter les fuites et contrôler l'état du filtre. La technologie IRF est homologuée par la FCC.

« Cet appareil est conforme aux prescriptions de la partie 15 des règles de la FCC. Le fonctionnement de cet équipement est assujéti aux deux conditions suivantes : (1) Cet appareil ne doit pas causer de brouillage préjudiciable; et (2) cet appareil doit accepter tout brouillage qu'il reçoit, y compris celui pouvant entraîner un fonctionnement indésirable. »

« Cet appareil est conforme aux normes RSS d'Industrie Canada relatives aux dispositifs exempts de licence. Le fonctionnement de cet équipement est assujéti aux deux conditions suivantes : (1) Cet appareil ne doit pas causer de brouillage; et (2) cet appareil doit accepter tout brouillage, y compris celui pouvant entraîner un fonctionnement indésirable. »

## À quel moment remplacer la cartouche filtrante

La cartouche filtrante doit être remplacée tous les 6 mois ou plus tôt si 644 litres (170 gallons) d'eau ont été distribués ou si le débit d'eau du distributeur ou de la machine à glaçons diminue.

**Modèles à écran tactile :** Un message d'état du filtre apparaîtra à l'écran lorsqu'il faudra remplacer le filtre à eau. L'état du filtre sera mis à jour dès le remplacement du filtre.

**Modèles sans écran tactile :** Un témoin lumineux s'allumera sur l'écran lorsqu'il faudra remplacer le filtre à eau.

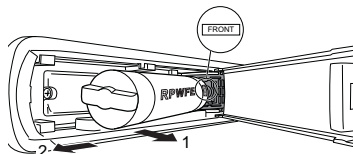
Sur certains modèles, il se peut que le remplacement du filtre n'éteigne pas automatiquement le voyant « Order » (commander) ou « Replace » (remplacer) sur le panneau d'affichage. Alors pour réinitialiser l'état du filtre, entrez dans le menu <Settings> depuis la fenêtre d'accueil (Home), choisissez le menu <Water Filter> et appuyez sur le bouton RESET.

## For Product with RPWFE Filter

### Removing the Filter

**NE TOURNEZ PAS LA CARTOUCHE!** La rotation peut endommager le réfrigérateur ou le filtre.

- Retirez la cartouche usagée en ouvrant la porte du filtre, en tirant le bas de la cartouche pour la déloger et la sortir.
- Lorsque la cartouche ne tourne plus, tirez-la doucement pour la déloger de son support. Une petite quantité d'eau peut s'échapper.

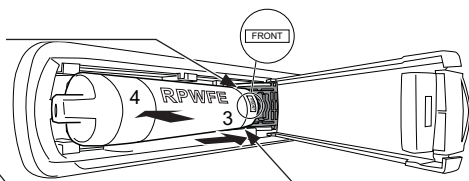


**NE TOURNEZ PAS LA CARTOUCHE!**

### Installation de la cartouche filtrante

- Centrez la cartouche et son support avec vous assurant que le mot « FRONT » est face à l'extérieur. Poussez la cartouche jusqu'à ce qu'elle soit bien assise. La cartouche est installée correctement lorsque le mot « FRONT » est centré avec le support de la cartouche. Les témoins ROUGES ne devraient pas être visibles.

Les témoins rouges ne devraient pas être visibles.

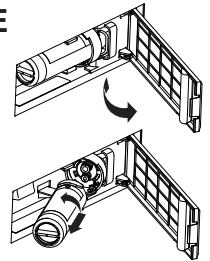


- Tout en s'assurant que la cartouche est complètement assise dans le support, balancez doucement le filtre vers l'extérieur jusqu'à ce qu'il soit en place. Si le filtre est difficile à balancer, assurez-vous que le filtre est correctement aligné et complètement assis dans le support de la cartouche.

## Pour un produit avec filtre XWFE

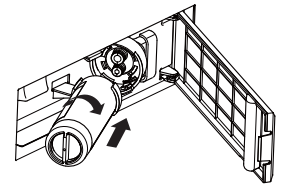
### Retrait du filtre

Si vous remplacez le filtre, retirez d'abord le précédent en agrippant le filtre avec soin et le tournant lentement vers la gauche sur environ 1/4 de tour. Le filtre va se libérer automatiquement une fois tourné suffisamment vers la gauche. Une petite quantité d'eau pourrait dégoutter.



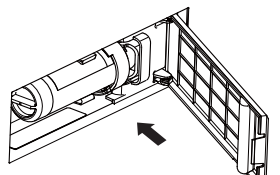
### Installation du filtre

- Ouvrez le logement de la cartouche de filtre en tirant pour ouvrir la porte.
- Alignez les points d'accès du filtre sur ceux du porte-filtre puis insérez délicatement le filtre.



- Tournez lentement le filtre vers la droite jusqu'à ce qu'il s'arrête. **NE SERREZ PAS EXCESSIVEMENT.** Le filtre s'ajustera automatiquement à sa position à mesure que vous le tournez. Le filtre tournera d'environ 1/4 de tour ou 90 degrés jusqu'à ce qu'il ne puisse plus tourner, étiquette orientée vers l'extérieur.

- Poussez lentement le filtre dans les pinces.
- Fermez le logement de la cartouche de filtre en poussant délicatement la porte jusqu'à ce que les languettes se verrouillent en place.



**Pour les modèles avec distributeur –** Faites couler 7,5 litres (2 gallons) d'eau du distributeur d'eau froide (environ 5 minutes) pour évacuer l'air du système. Une cartouche filtrante installée récemment peut laisser jaillir de l'eau du distributeur. Utilisez un grand pichet ou une bouteille de sport pour recueillir l'eau qui s'échappe. **REMARQUE :** L'apparence d'eau décolorée est normale pendant la première purge du système. La couleur de l'eau normale réapparaîtra après les premières minutes de distribution.

**Pour les modèles avec machine à glaçons –** Jetez le premier bac de glaçons pour permettre la purge d'air du système. Une cartouche filtrante récemment installée peut laisser jaillir de l'eau du corps de la machine à glaçons, ce qui peut produire des gouttelettes glacées autour de la zone de la machine à glaçons. **REMARQUE :** Il est normal que ces gouttelettes et la première production de glaçons présentent une décoloration pendant la première purge du système. La couleur normale des glaçons réapparaîtra après la première production de glaçons dans le bac.

NE mettez PAS d'eau chaude dans le distributeur ou pour la fonction de remplissage automatique tant que l'air n'a pas été purgé du système.

- Réinitialisez le message d'état du filtre (modèles sans écran tactile).

### Bouchon de dérivation du filtre

Pour réduire le risque de dommage à la propriété en raison de fuites d'eau, vous DEVEZ utiliser un bouchon de dérivation du filtre lorsqu'une cartouche filtrante de rechange n'est pas disponible. Certains modèles ne sont pas équipés d'un bouchon de dérivation de filtre. Pour en obtenir un gratuitement, composez le 800-GECARES. Au Canada, composez le 800.561.3344. Le distributeur et la machine à glaçons ne fonctionneront pas sans que ne soient installés le filtre ou le bouchon de dérivation. Le bouchon de dérivation s'installe de la même manière que la cartouche filtrante.

## Cartouche filtrante à eau

**⚠ AVERTISSEMENT**  **Risque d'ébullition.\*** L'utilisation du distributeur d'eau chaude avant l'évacuation de l'air du système peut provoquer un jaillissement d'eau très chaude causant des brûlures. Veillez à observer les instructions ci-dessus pour évacuer la totalité de l'air du système par le distributeur d'eau froide avant d'utiliser le distributeur d'eau chaude. \*Certains modèles seulement

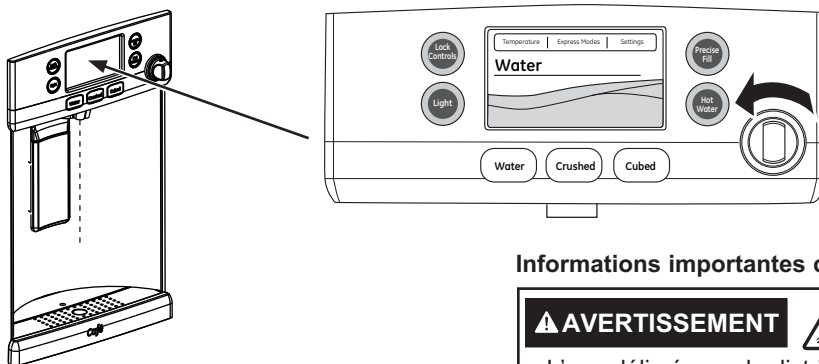
**⚠ AVERTISSEMENT** **Pour réduire le risque d'étouffement pendant l'installation de ce produit, ne pas laisser les petites pièces à la portée des enfants âgés de moins de 3 ans.** La cartouche de filtre jetable doit être remplacée tous les 6 mois, si sa capacité nominale est atteinte

ou si une réduction notable du débit est observée. Pour les meilleurs résultats de votre système de filtration, GE Appliances, a Haier company, recommande l'utilisation de filtres de marque GE Appliances seulement. L'utilisation de filtres de marque GE Appliances dans les réfrigérateurs GE Appliances procure les meilleurs rendement et fiabilité. Les filtres nous satisfont aux rigoureuses normes NSF de l'industrie relatives à la sûreté et la qualité, facteur important pour les produits qui filtrent votre eau. Il n'y a pas de certitude que les marques de filtre autres GE Appliances satisferont nos normes de qualité, de rendement et de fiabilité.

**Pour toute question ou pour commander des cartouches filtrantes de rechange, visitez notre site Web au [geappliances.ca/service](http://geappliances.ca/service) ou consultez les pages jaunes pour connaître le centre de service Camco le plus proche.**

## Eau chaude

### Pour modèles équipés d'un distributeur d'eau chaude seulement



#### Informations importantes concernant l'eau chaude

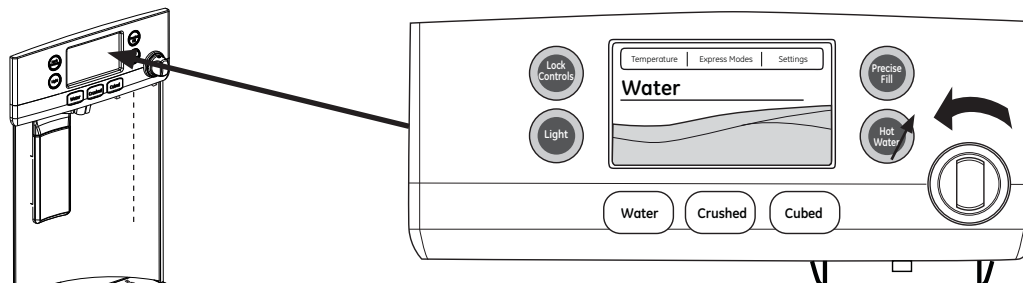
**⚠ AVERTISSEMENT**  **Risque de brûlures.**

- L'eau délivrée par le distributeur est très chaude et peut provoquer des brûlures et des échaudures. Veuillez lire tous les avertissements avant utilisation. (Voir page 5).
- Veuillez toujours utiliser un récipient qui est adapté aux liquides chauds (céramique, mousse de polystyrène expansé, etc.)
- La quantité maximale d'eau chaude en un seul versement est de 10 oz. On peut verser une quantité d'eau chaude supplémentaire en réactivant la fonction d'eau chaude sur l'écran ACL.
- La fonction EAU CHAUDE fonctionne mieux avec une pression d'eau dans le circuit domestique allant de 40 à 100 psi.
- La fonction EAU CHAUDE s'arrête si elle n'est pas utilisée. Elle peut nécessiter un court temps pour le réchauffage.

#### Utilisation du distributeur d'eau et de glaçons

- Appuyez sur la touche EAU CHAUDE.
- Sélectionnez la température de l'eau souhaitée à l'écran LCD (90, 150, 170, 185 ou personnalisée).
- Lorsque l'eau chaude est prête (indiqué à l'écran et par un signal sonore), tenez le récipient avec la main gauche au centre de la cavité sous le bec verseur.
- Pour verser de l'eau, faites tourner le bouton d'eau chaude dans le sens inverse des aiguilles d'une montre puis appuyez dessus. Il est nécessaire de maintenir le bouton enfoncé pendant la distribution.

### Modèles doté du système d'infusion K-Cup



Dans le cas des réfrigérateurs Café dotés du système d'infusion K-Cup, TOUTE L'EAU CHAUDE est distribuée par un tube d'acier inoxydable situé sous le côté droit du panneau de commande. L'eau chaude n'est donc pas distribuée depuis le centre du renforcement.

## Eau chaude

### Emploi du distributeur d'eau chaude

- Emploi du distributeur d'eau chaude
- Sélectionnez la température d'eau désirée sur l'écran ACL (90, 150, 170, 185 ou Custom/Personnalisée).\*  
\*Si vous sélectionnez « Keurig K-Cup Pod » (Dosette K-Cup de Keurig), le dispositif d'eau chaude passera en mode K-Cup. Voir la page 14 pour les instructions sur le mode K-Cup.
- Lorsque l'eau chaude est prête (indication sur l'écran et signal sonore), tenez le récipient avec la main gauche centrée dans le renforcement sous le bec verseur.
- Pour distribuer l'eau, tournez le bouton d'eau chaude dans le sens contraire des aiguilles d'une montre et poussez-le. Vous devez maintenir le bouton enfoncé pendant la distribution.

### Faits importants concernant L'EAU CHAUDE

#### ⚠ AVERTISSEMENT



#### Risque de brûlure

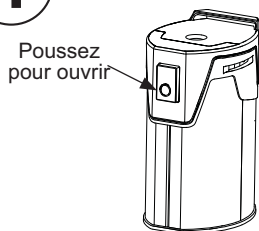
- Lisez la section Avertissement : Risque d'ébullition ci-dessus.
- Ne permettez pas aux enfants d'utiliser l'infuseur.
- Utilisez toujours un récipient qui convient aux liquides très chauds (céramique, mousse de polystyrène, etc.).
- N'infusez pas dans un récipient en verre car il risquerait de se fissurer ou d'éclater.

## Infuseur à dose unique K-Cup de Keurig

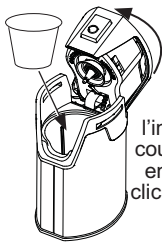
### Comment utiliser le distributeur à dose unique

1

Insérez la dosette K-Cup de Keurig dans l'infuseur.



Laissez tomber la dosette K-Cup dans l'infuseur et poussez-la fermement.



Fermez l'infuseur. Le couvercle fera entendre un clic s'il est bien fermé.

#### ⚠ ATTENTION



Risque de coupure ou de piqûre.

- Deux aiguilles acérées se trouvent à l'intérieur de l'infuseur K-Cup. Pour prévenir les blessures, ne mettez pas vos doigts à l'intérieur de l'infuseur. Utilisez de précaution lors du nettoyage.
- Gardez l'infuseur K-Cup à l'écart des enfants car ils peuvent se blesser suite à son utilisation incorrecte.

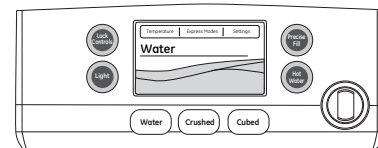
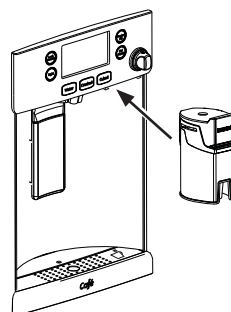
2

Deux façons d'infuser :

1. Appuyez sur le bouton Hot Water (Eau chaude). Sélectionnez Keurig K-Cup Pod (Dosette K-Cup de Keurig).

OU

2. Glissez l'infuseur dans les rails.

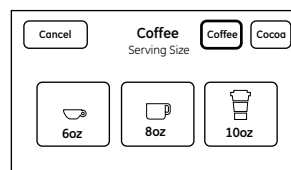


Rails pour l'infuseur

3

Glissez l'infuseur dans les rails.

AVIS : Si vous préparez un breuvage à base de poudre, sélectionnez la fonction Cocoa (Cacao).



4

Placez votre tasse sous l'infuseur (sur l'icône de tasse du plateau et sous le bec verseur rouge).

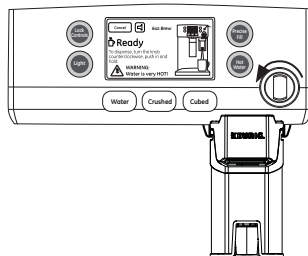
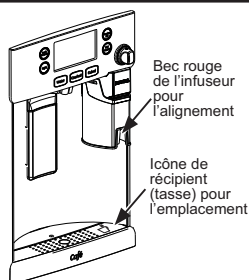
AVIS : Veillez à ce que la taille du récipient utilisé soit proportionnelle à la quantité sélectionnée.

5

Tournez le bouton d'eau chaude dans le sens contraire des aiguilles d'une montre et poussez pour démarrer la distribution.

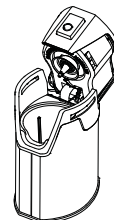
AVIS : Pour annuler la distribution, appuyez sur n'importe quel bouton ou sur la palette de l'infuseur, ou ouvrez la porte gauche ou droite.

# Infuseur à dose unique K-Cup de Keurig



## Nettoyage de l'infuseur

- L'infuseur K-Cup va au lave-vaisselle. Pour le nettoyer, ouvrez le couvercle et placez l'infuseur K-Cup dans le panier supérieur de votre lave-vaisselle et démarrez un cycle de lavage normal.
- Assurez-vous que l'infuseur K-Cup a été rincé à fond après le lavage et qu'il ne subsiste plus de résidus de savon.
- Un nettoyage périodique de l'intérieur du distributeur est recommandé pour éviter les taches causées par l'utilisation des dosettes K-Cup.



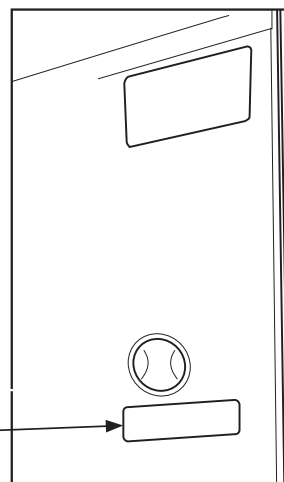
## Communications des électroménagers

### WiFi Connect (clients des États-Unis, leurs territoires, et Canada)

#### WiFi Connect Enabled\*

Une étiquette d'information intitulée Connected Appliance Information apposée à l'intérieur de votre réfrigérateur tel qu'illustré signifie qu'il peut être connecté à votre réseau WiFi, vous permettant de communiquer avec l'appareil par votre téléphone intelligent à des fins de surveillance, de commande et de notification. Selon le modèle de réfrigérateur que vous possédez, celui-ci est alors doté soit d'une carte de communication WiFi intégrée, soit d'un port pour module WiFi ConnectPlus (vendu séparément). Veuillez visiter [cafeappliances.com/connect](http://cafeappliances.com/connect) pour obtenir de plus amples renseignements sur les fonctions de connexion pour électroménagers et les applications compatibles avec votre téléphone intelligent.

**Connected Appliance Information**  
Contains FCCID: ZKJ-WCATA003 Network: GE\_MODULE\_XXXX  
Contains IC: 10229A-WCATA003 Password: XXXXXXXXX  
MAC ID: D8-28-C9-XXXXXXX PT. NO. 257C2110G001



## RENSEIGNEMENTS RÉGLEMENTAIRES

### Déclaration de conformité de la FCC/IC :

Cet appareil est conforme aux prescriptions de la partie 15 des règles de la FCC. Le fonctionnement de cet équipement est assujéti aux deux conditions suivantes :

1. Cet appareil ne doit pas causer de brouillage préjudiciable, et
2. Cet appareil doit accepter tout brouillage qu'il reçoit, y compris celui pouvant entraîner un fonctionnement indésirable.

Cet équipement a été testé et déclaré conforme aux limites imposées pour un appareil numérique de Classe B, conformément à la partie 15 de la réglementation FCC. Ces limites sont définies afin d'assurer une protection raisonnable contre le brouillage nuisible dans une installation résidentielle. Cet équipement génère, utilise et émet des fréquences radio qui, en cas d'une installation erronée ou d'une utilisation non-conforme aux instructions de ce manuel d'utilisation peuvent causer un brouillage nuisible aux communications radio. Il n'y a cependant aucune garantie qu'un brouillage nuisible ne se produira pas dans une installation donnée. Si cet équipement cause un brouillage nuisible sur votre poste radio ou de télévision, ce que vous pouvez déterminer en éteignant et en rallumant votre équipement, il est conseillé à l'utilisateur d'essayer de pallier à ce brouillage nuisible en prenant l'une ou l'autre des mesures suivantes :

- Réorienter ou repositionner l'antenne de réception.
- Augmenter la distance entre l'équipement et le récepteur.
- Brancher l'équipement dans une prise d'un circuit qui diffère de celui auquel le récepteur est branché.
- Consulter le revendeur ou un technicien en radio-télévision pour obtenir de l'aide.

Étiquetage : Les modifications non explicitement approuvées par le fabricant peuvent annuler le droit de l'utilisateur de se servir de cet équipement.

\*Modèles sélectionnés seulement

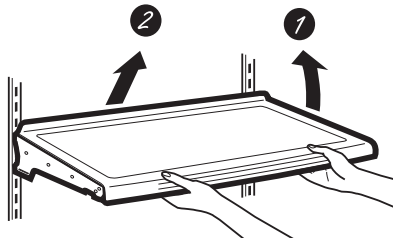
## Stockage des produits frais

### Réorganisation des clayettes

Les clayettes du réfrigérateur sont réglables.

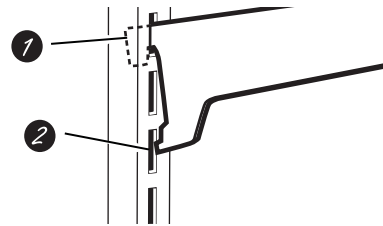
#### Pour les retirer :

- 1 Retirez tous les aliments de la clayette.
- 2 Soulevez l'avant de la clayette.
- 3 Soulevez l'arrière de la clayette et sortez-la du réfrigérateur.



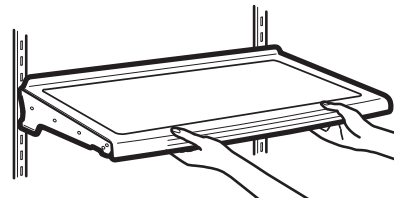
#### Pour le remettre en place :

- 1 Tout en inclinant la clayette, insérez le crochet supérieur à l'arrière de cette même clayette dans une fente du rail.
- 2 Abaissez l'avant de la clayette jusqu'à ce que le bas de celle-ci se positionne correctement.



### Clayettes anti-déversement

Les clayettes anti-déversement ont des bords adaptés pour éviter que les déversements ne s'écoulent sur les clayettes inférieures.

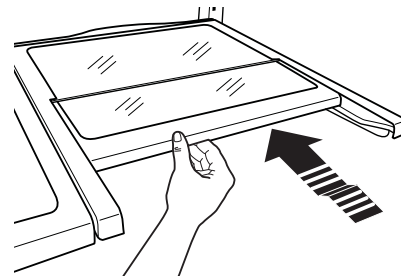


### Clayette QuickSpace\*

Cette clayette se partage en deux avec une partie qui s'escamote sous l'autre pour permettre le stockage des articles de grande taille posés sur la clayette inférieure.

Cette clayette peut être retirée et remplacée ou déplacée (tout comme les clayettes anti-déversement).

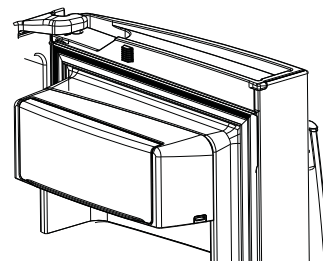
**REMARQUE :** La partie arrière de la clayette QuickSpace n'est pas réglable.



### Bac à produits laitiers non réglable\*

**Pour le retirer :** Tirez le bac à produits laitiers vers le haut, puis retirez-le.

**Pour le remettre en place :** Engagez le bac dans les supports de porte moulés et poussez-le vers le bas. Le bac s'encastre. Voir page 36.



\*Certains modèles seulement

# Stockage des produits frais

## Bacs de porte réglables

Les bacs réglables peuvent facilement être transportés du réfrigérateur à votre surface de travail.

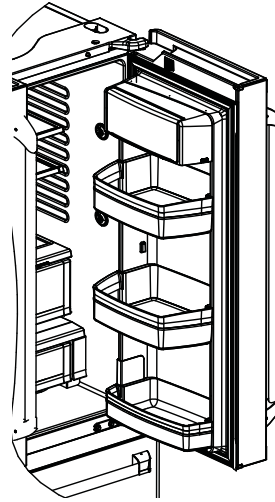
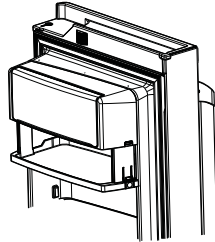
**Pour les retirer :** Tirez le bac vers le haut, puis retirez-le.

**Pour les remettre ou pour les déplacer :** Engagez le bac dans les supports de porte moulés et poussez-le vers le bas. Le bac s'encastrera.

### Plateau rabattable\*

(bac ouvert)

1. Ouvrez la porte droite du compartiment de réfrigération.
2. Appuyez sur les deux boutons sur les côtés inférieurs du bac et celui-ci s'ouvrira.
3. Faites la manœuvre en sens inverse pour le réinstaller.

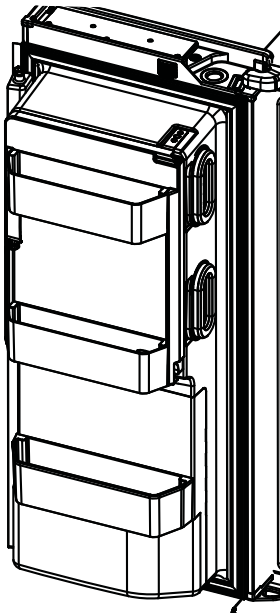


## Bacs de porte non réglables - (Modèles avec distributeur - Porte gauche)

**Pour les retirer :** Tirez le bac vers le haut, puis retirez-le.

**Pour les remettre en place :** Engagez le bac dans les supports de porte moulés et poussez-le vers le bas. Le bac s'encastrera.

Les bacs de porte de la machine à glaçons ne sont pas interchangeables, notez leur emplacement lorsque vous les retirez afin de les remettre au bon endroit.



## Modèles sans distributeur (Porte gauche)



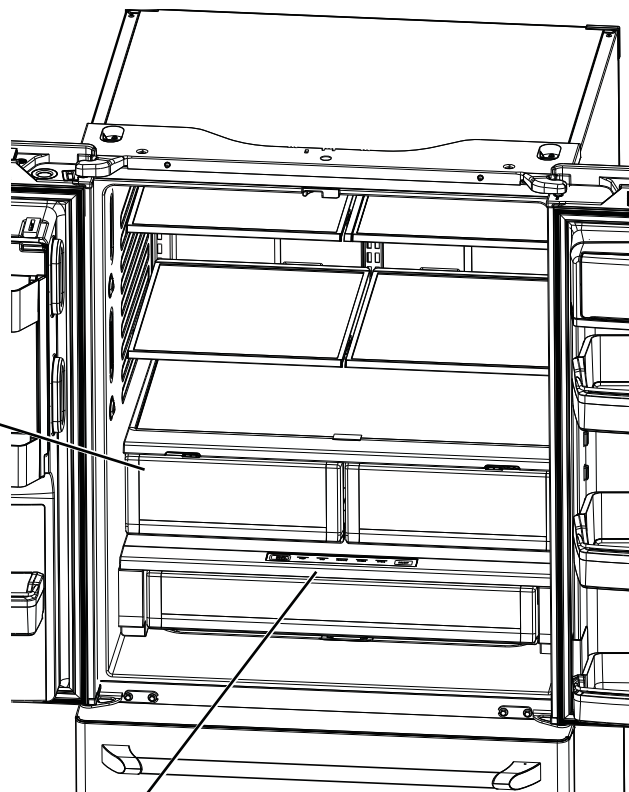
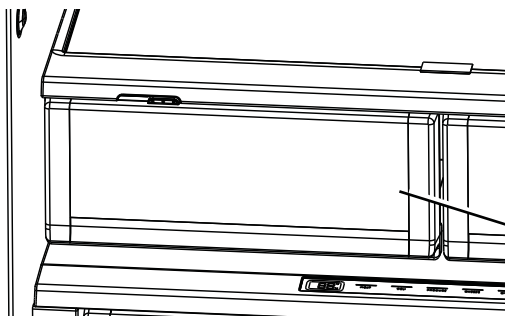
\*Certains modèles seulement

# Zone climatisée et tiroir à température contrôlée

## Zone climatisée

Conservez les fruits et les légumes dans des compartiments séparés pour un accès facile.

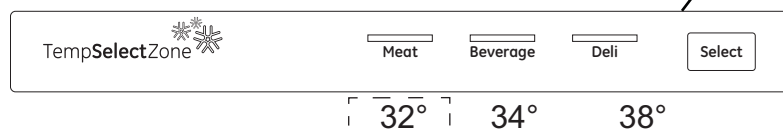
Essuyez l'eau accumulée dans le fond ou en dessous des bacs.



## Tiroir à température contrôlée

Le tiroir à température contrôlée est un tiroir de pleine largeur équipé d'un contrôle de la température. Ce tiroir peut être utilisé pour les produits divers de grande taille.

Pour modifier les paramètres, appuyez sur bouton de sélection.



**Remarque :** Les températures indiquent les températures appropriées pour la conservation des aliments, les températures réelles peuvent varier en fonction de l'utilisation du réfrigérateur et d'autres facteurs tels que les ouvertures de portes et du réglage de la température selon les aliments.

**ATTENTION**

**Risque de lacération.**

Ne stockez pas les bouteilles en verre lorsque cette fonction est sélectionnée. Si de la glace se forme, les bouteilles peuvent se briser et causer des blessures corporelles.

# Zone climatisée et tiroir à température contrôlée

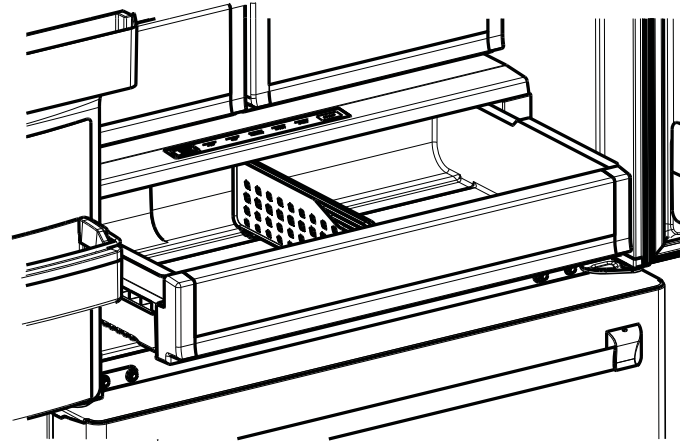
## Retrait et remise en place du tiroir à charcuterie/à produits frais réglable

### Pour le retirer :

- 1 Tirez le tiroir jusqu'à la butée.
- 2 Soulevez l'avant du tiroir puis faites le sortir en tirant.

### Pour le remettre en place :

- 1 Tirez les glissières gauche et droite jusqu'à ce qu'elles soient complètement sorties.
- 2 Placez l'arrière du tiroir en premier, puis faites pivoter l'avant du tiroir vers le bas pour que celui-ci repose sur les glissières.
- 3 Poussez le tiroir jusqu'à sa position fermée.



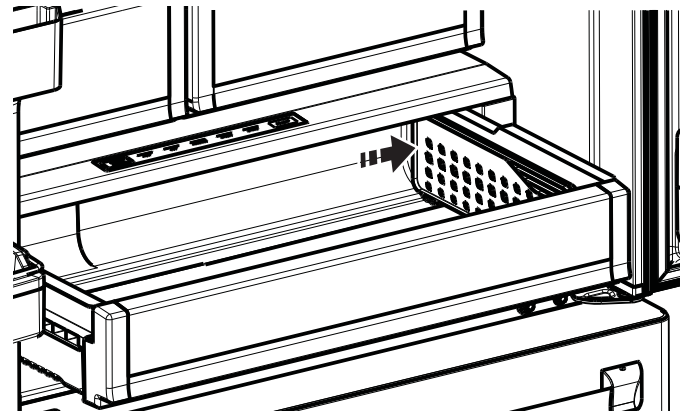
## Comment retirer le séparateur du tiroir et le remettre en place\*

### Pour le retirer :

- 1 Tirez le tiroir jusqu'à la butée.
- 2 Faites glisser le séparateur vers la droite pour le dégager du tiroir.

### Pour le remettre en place :

Procédez en sens inverse pour remettre le séparateur en place.



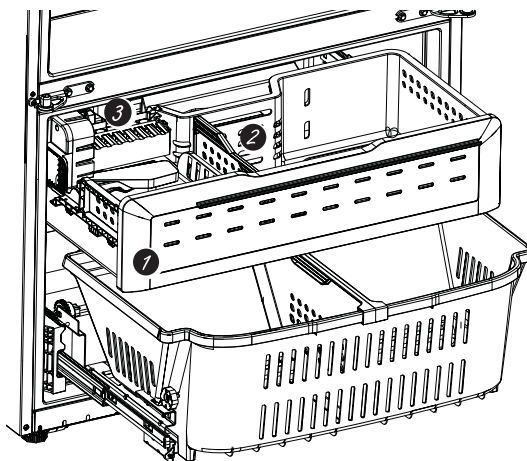
\*Certains modèles seulement



## Paniers, tiroirs et bacs

### Panier et tiroir du congélateur

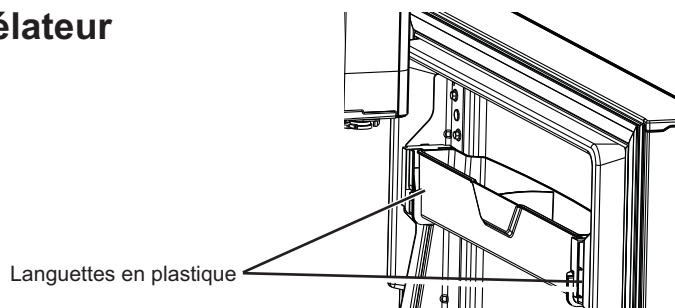
- ① Panier.
- ② Tiroir
- ③ Seau à glaçons \*



### Bac non réglable dans le congélateur

**Pour retirer :** Poussez la languette en plastique à gauche ou à droite.

**Pour replacer :** Glissez le bac jusqu'à ce qu'il se verrouille en place.



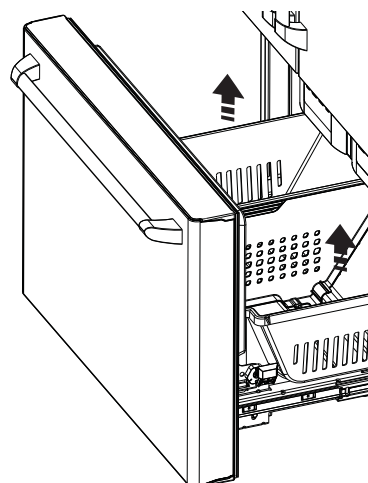
### Retrait d'un panier

**Pour le retirer, modèles CFE seulement :**

1. Ouvrez la porte du congélateur jusqu'à la position d'arrêt.
2. Retirez le bac de la porte du congélateur en poussant la languette de plastique du côté droit ou gauche afin de libérer l'axe de charnière du bac.
3. Retirez le panier du congélateur en le soulevant à l'arrière et en le déplaçant vers l'arrière jusqu'à ce que l'avant du panier puisse pivoter vers le haut et sortir.
4. Soulevez-le pour le sortir du congélateur.

**Pour le retirer, modèles CYE et CWE seulement :**

1. Ouvrez les portes de la section réfrigérateur.
2. Ouvrez la porte du congélateur jusqu'à la position d'arrêt.
3. Retirez le panier du congélateur en le soulevant à l'arrière et en le faisant pivoter vers le haut.
4. Soulevez-le pour le sortir du congélateur.



**Pour le remettre en place :**

Procéder en sens inverse pour remettre le bac en place.

\*Certains modèles seulement

# Machine à glaçons automatique

Il faut prévoir entre 12 et 24 heures avant qu'un réfrigérateur nouvellement installé commence à produire des glaçons.

**⚠ AVERTISSEMENT** Raccordez l'appareil à une alimentation d'eau potable seulement. Une alimentation d'eau froide est requise pour faire fonctionner la machine à glaçons et le pichet à remplissage automatique. La pression d'eau doit se situer entre 40 et 120 psi. (275 à 827 kPa).

## Machine à glaçons automatique \*

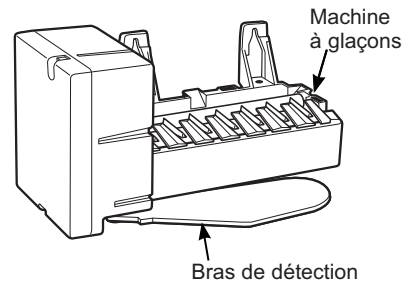
La machine à glaçons produit sept glaçons par cycle - environ 100-130 cycles par 24 heures, selon la température du compartiment de congélation, la température de la pièce, le nombre d'ouverture de porte et les autres conditions d'utilisation.

La machine à glaçons se remplit d'eau lorsque sa température atteint 15°F (-10°C). Il faut prévoir entre 12 et 24 heures avant qu'un réfrigérateur nouvellement installé commence à produire des glaçons.

Si le réfrigérateur est mis en marche avant que la machine à glaçons ne soit raccordée à l'alimentation en eau ou si l'alimentation en eau du réfrigérateur est fermée, assurez-vous que la machine à glaçons est éteinte. Une fois que l'eau a été raccordée au réfrigérateur, la machine à glaçons peut être mise en marche. Référez-vous au tableau ci-dessous pour de plus amples informations.

Vous entendrez un bourdonnement à chaque fois que la machine à glaçons se remplit d'eau.

Jetez les premiers bac de glaçons pour bien nettoyer le conduit d'eau. L'apparence d'eau décolorée est normale pendant les 24 premières heures de production ou après le remplacement du filtre à eau.



Vérifiez que rien n'interfère avec le déplacement du bras de détection.

Quand le bac se remplit jusqu'au niveau du bras de détection, la machine à glaçons s'arrête de produire des glaçons. Il est normal de trouver des glaçons qui soient soudés ensemble.

Si vous n'utilisez pas souvent vos glaçons, les vieux glaçons deviennent opaques, prennent un mauvais goût et rétrécissent.

**REMARQUE :** Dans les maisons qui ont une pression d'eau plus faible que la moyenne, vous entendrez peut-être la machine à glaçons recommencer plusieurs fois son cycle pour produire un lot de glaçons.

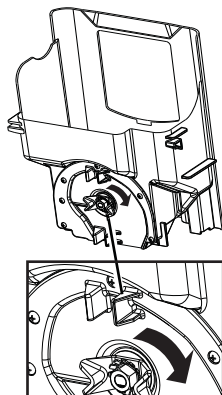
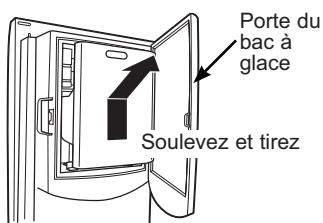
**⚠ ATTENTION** Pour minimiser les risques de blessures, évitez le contact avec les pièces mobiles du mécanisme éjecteur, ou avec l'élément chauffant qui libère les glaçons. Ne posez pas les doigts ou les mains sur le mécanisme de la machine à glaçons automatique pendant que le réfrigérateur est branché.

## Comment allumer ou éteindre la machine à glaçons ?

Type d'affichage (voir page 8)	Numéro de modèle #	Comment allumer ou éteindre la machine à glaçons ?
Style de commandes A	CYE/CFE	Utiliser le menu de réglages de l'écran tactile.
Style de commandes B	CWE	Utiliser le bouton « Machine à glaçons » Utiliser le bouton « Machine à glaçons »

## Seau à glaçons et distributeur\*

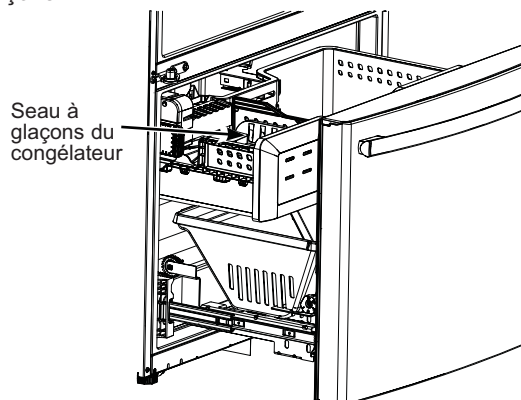
- Ouvrez la porte du bac à glace à l'intérieur de la porte de gauche.
- Tirez le seau à glaçons vers le haut dans la porte de gauche pour le sortir du compartiment.
- Pour remettre le seau à glace, placez-le sur les guides et enfoncez-le jusqu'à ce qu'il soit correctement en place.
- Si vous n'arrivez pas à le remettre, faites tourner la fourche d'1/4 de tour dans le sens des aiguilles d'une montre.



## Seau à glaçons du congélateur\*

Le seau de stockage se trouve dans le tiroir de congélation.

- Ouvrez le tiroir de congélation.
- Le seau à glaçons est situé sur le côté gauche sous panier supérieur.
- Tirez le panier supérieur vers vous pour enlever le seau à glaçons.



\*Certains modèles seulement

# Entretien et nettoyage

## Nettoyage de l'extérieur

### Directives pour nettoyer les surfaces extérieures, les poignées de porte et les garnitures

UTILISER	NE PAS UTILISER
Linge ou éponge doux et propres	Linges abrasifs, éponges à récurer, tampons à récurer ou en laine d'acier.
Détergent doux dans eau chaude. Nettoyants pour acier inoxydable approuvés; visitez la boutique de pièces Café Appliances pour des nettoyants pour acier inoxydable approuvés : <a href="http://cafeappliances.com">cafeappliances.com</a>  On peut utiliser des nettoyants à base d'acide oxalique tels que Bar Keepers Friend Soft Cleanser™ pour éliminer la rouille de surface, le ternissement et les petites taches sur les surfaces en acier inoxydable seulement.	Poudres ou vaporisateurs abrasifs. Vaporisateurs pour fenêtres ou ammoniac. Nettoyants à base d'agrumes ou de plantes. Nettoyants acides ou à base de vinaigre. Nettoyants pour le four. Nettoyants qui contiennent de l'acétone (propanone). Tout nettoyant avec AVERTISSEMENT relatif au contact du plastique.

**REMARQUE :** Ne laissez PAS un nettoyant pour acier inoxydable venir au contact de pièces en plastique telles que garnitures, quincaillerie de poignée ou doublures. Si un contact non intentionnel d'un nettoyant avec une pièce en plastique survient, nettoyez la pièce en plastique avec une éponge et un détergent doux mélangé dans l'eau chaude.

## Nettoyage de l'intérieur

### Débranchez l'appareil avant de le nettoyer.

S'il est trop difficile de débrancher l'appareil, essorez bien votre chiffon ou votre éponge pour enlever l'excès d'eau lorsque vous nettoyez autour des interrupteurs, des lampes ou des commandes. Utilisez une cire pour appareil ménager sur la surface intérieure entre les portes.

Utilisez une solution d'eau tiède et de bicarbonate de soude (environ une cuillère à soupe (15 ml) de bicarbonate de soude dans un litre d'eau) afin de nettoyer tout en neutralisant les odeurs. Rincez et séchez.

### ATTENTION

Ne nettoyez pas les clayettes ou les couvercles en verre avec de l'eau tiède quand ceux-ci sont froids. Les clayettes et couvercles en verre peuvent se casser s'ils sont exposés à des changements soudains de température ou si vous les cognez ou les faites tomber. Le verre trempé est conçu pour se briser en petits morceaux en cas de casse.

Ne lavez aucune pièce en plastique du réfrigérateur au lave-vaisselle.

## Derrière le réfrigérateur

Soyez prudent lorsque vous éloignez votre réfrigérateur du mur. Tous les types de revêtements de sol peuvent être endommagés, en particulier les revêtements matelassés et ceux dont la surface est gaufrée.

Relevez les pieds de mise à niveau situés sur la partie inférieure avant du réfrigérateur.

Tirez le réfrigérateur en ligne droite et lorsque vous le remettez en place, poussez-le vers le mur en ligne droite. Les déplacements latéraux du réfrigérateur pourraient endommager le revêtement de sol ou le réfrigérateur.

Abaissez les pieds de mise à niveau jusqu'à ce qu'ils touchent le sol.

### AVERTISSEMENT



**RISQUE DE CHOC ÉLECTRIQUE** Lorsque vous remettez le réfrigérateur en place en le poussant, veillez à ne pas le faire rouler sur le cordon d'alimentation.

# Entretien et nettoyage

## Départ en vacances

Encas d'absences ou de vacances prolongées, retirez tous les aliments du réfrigérateur et débranchez-le. Nettoyez l'intérieur avec une solution de bicarbonate de soude (environ une cuillère à soupe (15 ml) de bicarbonate de soude dans un litre d'eau). Laissez les portes ouvertes.

**Modèles avec affichage LCD :** Éteindre le réfrigérateur au niveau des commandes (page 9).

Dans le cas où la température pourrait descendre en dessous de zéro, demandez à un technicien qualifié de vidanger le système d'alimentation en eau pour éviter les dégâts des eaux.

- 1) Éteignez ou débranchez le réfrigérateur (p. 9).
- 2) Videz le seau à glaçons.

- 3) Fermez l'arrivée d'eau

Si vous fermez l'alimentation en eau, éteignez la machine à glaçons (p. 21).

### Retour de vacances :

- 1) Remettez le filtre à eau.
- 2) Faites passer 2 gallons (7,5 litres) d'eau dans le distributeur d'eau froide (pendant environ 5 minutes) pour purger le système.
- 3) Faites couler de l'eau à 185°F (85°C) à 3 reprises (10 onces à chaque fois) pour vidanger le système.

## Déménagement

Immobilisez toutes les pièces amovibles, telles que les clayettes et les bacs, à l'aide de ruban gommé pour éviter de les endommager.

Lorsque vous utilisez un diable pour déplacer le réfrigérateur, ne faites pas reposer le devant ou l'arrière du réfrigérateur

contre le diable, sous peine d'endommager votre réfrigérateur. Ne le manipulez que par les côtés.

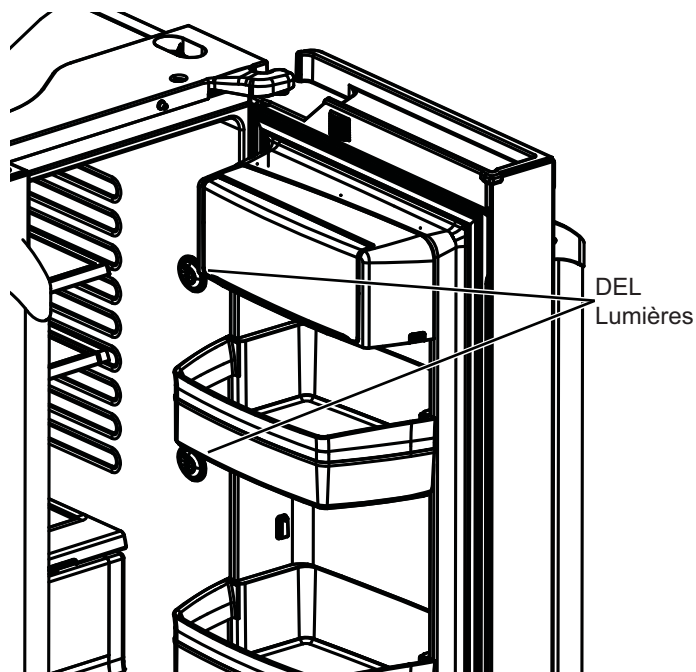
Assurez-vous que le réfrigérateur reste en position verticale pendant son déménagement.

## Ampoules du réfrigérateur (DEL)

Le compartiment de réfrigération est équipé d'un éclairage à DEL. De plus, le bas de la porte du compartiment réfrigérateur est également équipé de DEL pour éclairer le compartiment de congélation

Le remplacement des ampoules à DEL doit être effectué par un technicien autorisé.

Si cet assemblage doit être remplacé, planifiez une visite de service en ligne sur [cafeappliances.ca/service](http://cafeappliances.ca/service).



# Instructions d'installation

# Congélateur au bas réfrigérateurs

Des Questions ? Consultez notre site internet : [cafeappliances.ca](http://cafeappliances.ca)

## AVANT DE COMMENCER

Lisez ces instructions entièrement et attentivement.

**⚠ AVERTISSEMENT**  **Risque de basculement**

Si une ferrure antibasculement est incluse avec votre réfrigérateur, installez-la pour empêcher le réfrigérateur de basculer vers l'avant, ce qui pourrait occasionner des blessures graves ou mortelles. Veuillez lire et observer l'intégralité des instructions d'installation pour connecter cette ferrure à votre réfrigérateur.

- **IMPORTANT** — Respectez tous les codes et règlements en vigueur. Conservez ces instructions pour l'inspecteur local.
- Remarque pour l'Installateur – Assurez-vous de remettre ces instructions à l'utilisateur.
- Remarque pour l'utilisateur- Conservez ces instructions pour toute référence future.
- Niveau de compétence - L'installation de cet appareil demande des connaissances de base en mécanique.
- Délai d'exécution- Variable pour l'installation du réfrigérateur  
30 minutes pour l'installation de l'alimentation en eau
- L'installateur est responsable de l'installation correcte de l'appareil.
- La panne de l'appareil due à une mauvaise installation n'est pas couverte par la garantie.

## PRÉPARATION

### DÉPLACEMENT DU RÉFRIGÉRATEUR À L'INTÉRIEUR DE LA MAISON

Si le réfrigérateur ne peut pas passer par la porte, vous pouvez enlever la porte du compartiment de réfrigération et le tiroir du compartiment de congélation.

- Pour enlever la porte du compartiment de réfrigération, consultez la section « Installation du réfrigérateur »
- Pour enlever la porte du compartiment de congélation, consultez la section « Retrait du tiroir de congélation ».

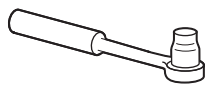
### ALIMENTATION EN EAU DE LA MACHINE À GLAÇONS ET DU DISTRIBUTEUR

Si le réfrigérateur est équipé d'une machine à glaçons, il devra être branché à une alimentation en eau froide. Vous pouvez vous procurer une trousse Café de branchement à l'alimentation d'eau (contenant tuyau, robinet, raccords et instructions) auprès de votre fournisseur, en consultant notre site internet [cafeappliances.ca](http://cafeappliances.ca).

## OUTILLAGE DONT VOUS POUVEZ AVOIR BESOIN



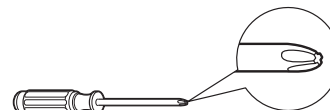
Clé à molette



Clés à cliquet/tournevis à douille 3/8 po et 8 mm (5/16 po)



Clé hexagonale de type Allen de 1/8 po, 3/32 po, 1/4 po et de 5/32 po



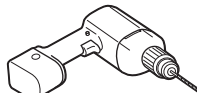
Tournevis cruciforme



Écrou à compression de diamètre externe d'1/4 po et d'une bague



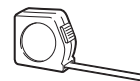
Crayon



Mèche de 1/8 po et Perceuse manuelle ou électrique



Tournevis à tête plate



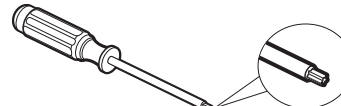
Mètre



Pincettes



Tournevis à tête plate



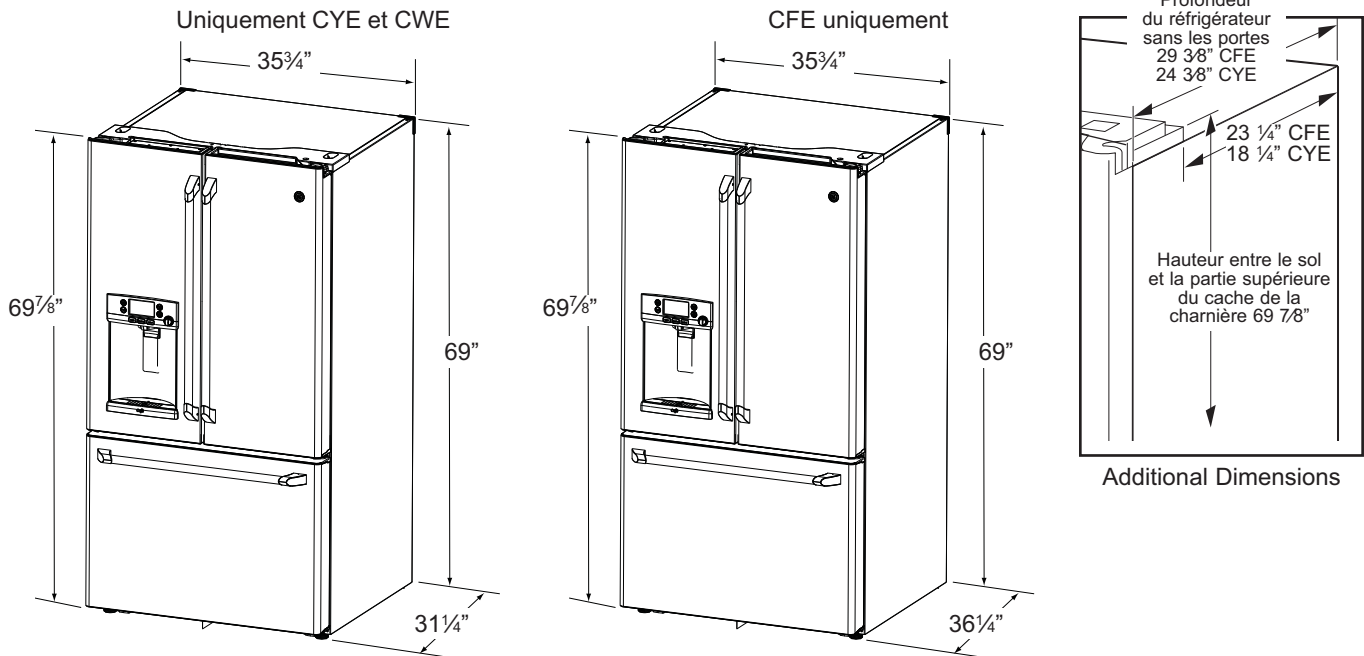
Tournevis Torx T20, T25, T27



Niveau

# Instructions d'installation

**DIMENSIONS** Toutes les mesures sont données avec les pieds de mise à niveau escamotés.



	CFE	CYE, CWE
<b>Hauteur hors tout du haut du cache de la charnière</b>	69 7/8"	69 7/8"
<b>Hauteur du haut du réfrigérateur</b>	69"	69"
<b>Profondeur du réfrigérateur sans les portes</b>	29 3/8"	24 3/8"
<b>Largeur hors tout du réfrigérateur</b>	35 3/4"	35 3/4"
<b>Profondeur hors tout du réfrigérateur avec les portes et les tiroirs équipés de leurs poignées</b>	36 1/4"	31 1/4"

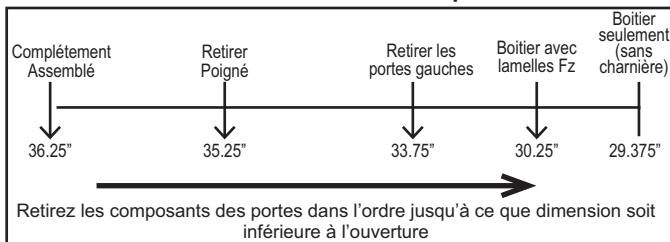
## MODÈLE PLACEMENT DU RÉFRIGÉRATEUR

- En utilisant le tableau ci-dessous, déterminez si la largeur de votre couloir et embrasures de porte peuvent accommoder la profondeur du réfrigérateur. Assurez-vous d'avoir assez d'espace pour éviter d'endommager le réfrigérateur avant de le déplacer en toute sécurité vers son emplacement final.
- Si votre couloir et embrasures de porte sont assez large pour laisser passer le réfrigérateur sans enlever les poignées, passez directement à l'étape 6. Laissez les bandes adhésives, le film et tous les emballages sur les

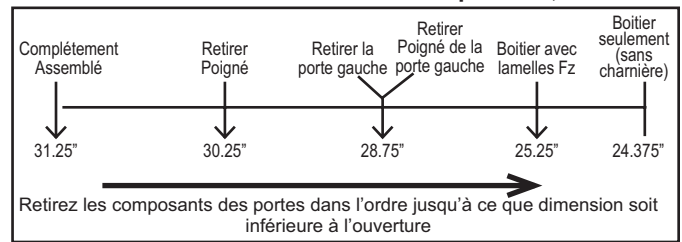
portes jusqu'à ce que le réfrigérateur soit dans sa position finale.

- REMARQUE : Utilisez un diable rembourré ou des sangles de déménagement pour déplacer ce réfrigérateur. Placez le réfrigérateur sur le diable en appuyant un des côtés contre le diable. Il est fortement recommandé que DEUX PERSONNES déplacent le réfrigérateur et effectuent cette installation.**

### Si votre numéro de modèle commence par CFE



### Si votre numéro de modèle commence par CYE, CWE



# Instructions d'installation

## INSTALLATION DU RÉFRIGÉRATEUR

### EMPLACEMENT DU RÉFRIGÉRATEUR

- N'installez pas le réfrigérateur dans une pièce où les températures descendent en-dessous de 60°F (16°C) parce qu'il serait difficile d'y maintenir une température correcte.
- N'installez pas le réfrigérateur dans un endroit où la température ambiante sera supérieure à 100°F (37°C), il ne fonctionnera pas correctement.
- N'installez pas le réfrigérateur dans un endroit exposé à l'eau (pluie, etc.) ou directement aux rayons solaires.
- Il doit être installé sur une surface suffisamment solide pour supporter le poids d'un réfrigérateur rempli.

### DÉGAGEMENTS

Prévoyez les dégagements suivants pour faciliter l'installation, la circulation d'air et les raccordements hydrauliques et électriques.

Côtés	1/8 po (3 mm)
Dessus	1 po (25mm) corps du réfrigérateur/ cache de charnière
Arrière	2 po (50 mm)

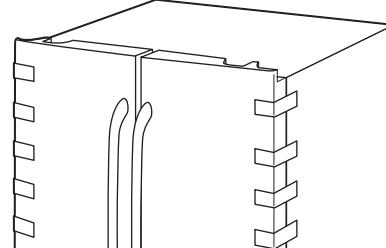
### RETRAIT DES PORTES DU RÉFRIGÉRATEUR

- **REMARQUE IMPORTANTE** : La profondeur de ce réfrigérateur est de 35 ¼ po (30 ¼ po pour les modèles CYE, CWE) sans poignées. Les portes et les passages qui mènent à l'emplacement d'installation doivent avoir une largeur d'au moins 35 ¼ po (30 ¼ po pour les modèles CYE, CWE) si vous souhaitez les portes et les poignées sur le réfrigérateur lors de son déplacement. Si la largeur des passages est inférieure à 35 ¼ po (30 ¼ po pour les modèles CYE, CWE), les portes et les poignées du réfrigérateur peuvent être facilement rayées et endommagées. Le cache supérieur et les portes peuvent être retirés pour permettre de déplacer le réfrigérateur à l'intérieur en toute sécurité. Si la largeur des passages est inférieure à 35 ¼ po (30 ¼ po pour les modèles CYE, CWE), commencez par l'étape 1.
- S'il n'est pas nécessaire de retirer les portes, passez directement à l'étape 11. Laissez les bandes adhésives et tous les emballages sur les portes jusqu'à ce que le réfrigérateur soit dans sa position finale.
- **REMARQUE** : Utilisez un diable rembourré pour déplacer ce réfrigérateur. Placez le réfrigérateur sur le diable en appuyant un des côtés contre le diable. Il est fortement recommandé que DEUX PERSONNES déplacent le réfrigérateur et effectuent cette installation.

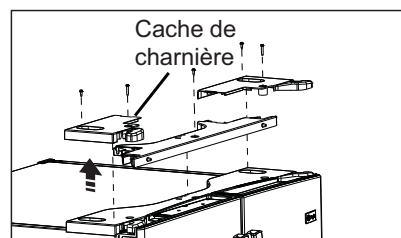
### 1 RETRAIT DES PORTES DU RÉFRIGÉRATEUR

**⚠ AVERTISSEMENT** Suivez toutes les étapes pour enlever et réinstaller la porte. La porte risque de tomber en plus de causer des blessures ou des dommages si vous ne respectez pas ces instructions, oubliez des pièces ou effectuez un serrage excessif des vis.

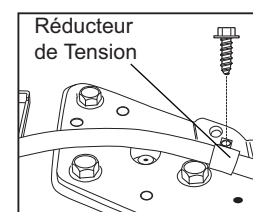
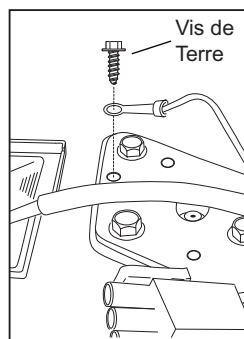
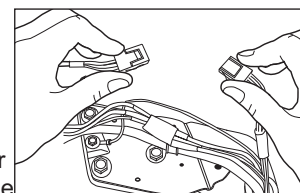
- A** Maintenez la porte bien fermée à l'aide de ruban-cache ou demandez à une deuxième personne de maintenir la porte.



- B** Commencez par la porte de gauche : Retirez le cache de la charnière supérieure de la porte gauche du réfrigérateur en retirant les vis cruciformes et en le tirant vers le haut. Faites de même pour la porte de droite et le cache central.



- C** Débranchez les deux connecteurs électriques au niveau du cache supérieur. Retirez la vis à tête hexagonale de ¼ po pour débrancher le fil de masse de la charnière. Retirez la vis à tête hexagonale de ¼ po pour débrancher réducteur de tension du tuyau d'alimentation en eau.

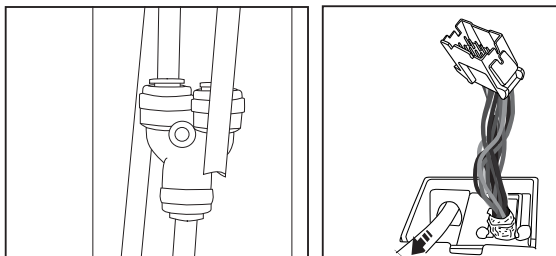


# Instructions d'installation

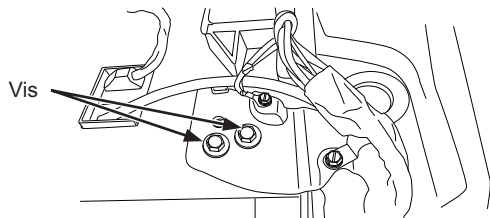
## INSTALLATION DU RÉFRIGÉRATEUR (suite)

### 1 RETRAIT DES PORTES DU RÉFRIGÉRATEUR (suite)

- D** Débranchez l'alimentation en eau à l'arrière de l'appareil en appuyant sur le collier gris foncé tout en tirant le tuyau d'alimentation en eau vers le haut. Faites passer le tuyau d'alimentation en eau à travers le passage prévu à cet effet pour libérer le tuyau avant de retirer la porte. La longueur du tuyau d'alimentation en eau est supérieure à 4 pi. Celui-ci doit être fixé à l'aide de ruban adhésif à la porte pour y accéder facilement lors de la réinstallation de la porte



- E** À l'aide d'une clé à cliquet ou d'un tournevis à douille 3/8 po ou 8 mm (5/16 po), retirez les vis qui fixent la charnière supérieure sur la carrosserie, puis levez la charnière en ligne droite vers le haut afin de libérer l'axe de charnière de la position dans le haut de la porte.



### **ATTENTION** Risque lors du levage de charge.

Une seule personne soulevant ces charges pourrait se blesser. Demandez l'aide d'une autre personne pour manipuler, déplacer ou lever les portes du réfrigérateur.

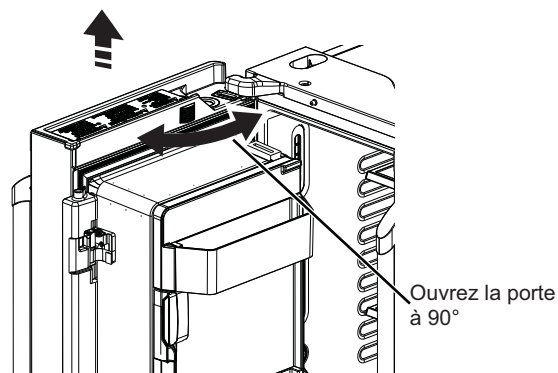
**Remarque :** lorsque vous retirez la porte, pour éviter d'endommager celle-ci ainsi que les composants électroniques qu'elle contient, placez-la soigneusement dans un endroit approprié.

**Remarque :** Sur certains modèles, la charnière inférieure et son axe sont numérotés. Ils doivent donc être associés pour que la porte se ferme correctement de façon automatique. Veuillez suivre les instructions scrupuleusement.

### 1 RETRAIT DES PORTES DU RÉFRIGÉRATEUR (suite)

**REMARQUE :** pour que l'installation se fasse correctement plus tard, veuillez suivre attentivement la prochaine étape.

- F** Les portes du compartiment de réfrigération doivent être RETIRÉES et INSTALLÉES en position ouverte à 90° avec la façade du réfrigérateur. Soulevez et retirez la charnière centrale

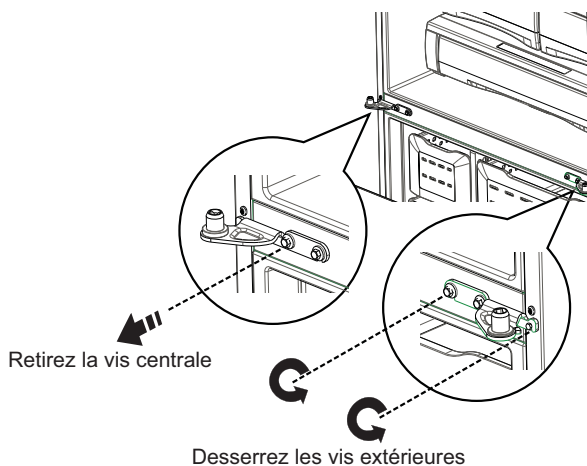


### RETRAIT DE LA PORTE OPPOSÉE

Effectuez la même procédure sur la porte du côté opposé. Il n'y a pas de câbles ou de tuyau d'alimentation en eau sur la porte du côté opposé.

### 2 RETRAIT DE LA CHARNIÈRE CENTRALE (si nécessaire)

Retirez les vis qui fixent la charnière centrale sur la carrosserie. La vis intérieure plus grande nécessite une douille/tournevis 3/8 po, 8 mm (5/16 po), Philips no 2 ou T27. Les vis extérieures plus petites nécessitent un tournevis 1/4 po ou Torx T25.





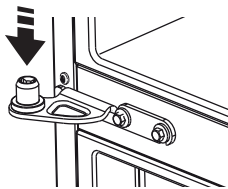
# Instructions d'installation

## INSTALLATION DU RÉFRIGÉRATEUR (suite)

### 3 RÉINSTALLATION DES PORTES DU RÉFRIGÉRATEUR

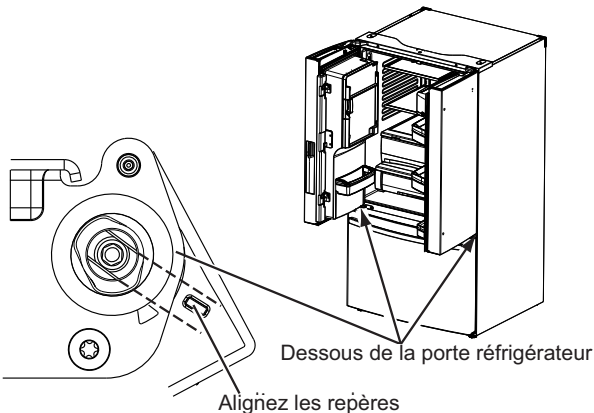
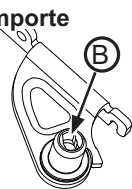
Inverser en sens inverse, étapes 4 à 1, pour réinstaller les portes du réfrigérateur. Suivez les instructions suivantes pour les alignements critiques.

- A** Réinstallez d'abord la charnière centrale et serrez les plus grandes vis au couple de 65 po-lb (7,34 N m) et la petite vis au couple de 25 po-lb (2,82 N m). On peut obtenir ces couples de serrage en tournant la vis de 1/3 de tour une fois qu'elle est à égalité avec la surface correspondante.

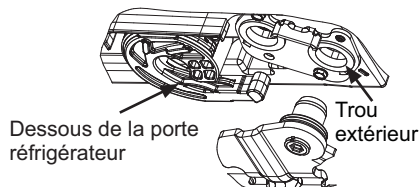
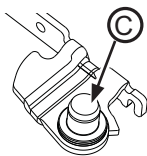


- B** Si la charnière sur votre réfrigérateur comporte une fente semblable à l'illustration B à droite, suivez les étapes ci-dessous. Autrement, sautez l'étape C.

Avec la porte gauche à 90° + de l'avant de la carrosserie, abaissez la porte du réfrigérateur. Assurez-vous que la porte et la charnière s'alignent correctement. Fermez la porte et assurez-vous que la zone d'étanchéité centrale amovible de la porte s'aligne sur la butée. S'il est impossible d'installer la porte à 90°, suivez les étapes suivantes. Installez la porte à 90° du devant de carrosserie. Si l'espace ou le modèle limitent l'ouverture de porte à moins de 180°, retirez la porte et retournez-la avec précaution à l'envers. Vérifiez l'alignement de la porte. Il existe une marque d'alignement sur le mécanisme de fermeture de porte qui correspond à une marque d'alignement sur le capuchon d'extrémité inférieur. Faites pivoter le mécanisme de fermeture de porte pour aligner la marque et la flèche.



- C** Si la charnière sur votre réfrigérateur n'est pas munie d'une fente et qu'elle ressemble à l'image C à droite, alors abaissez simplement le trou extérieur de la porte sur l'axe de charnière.

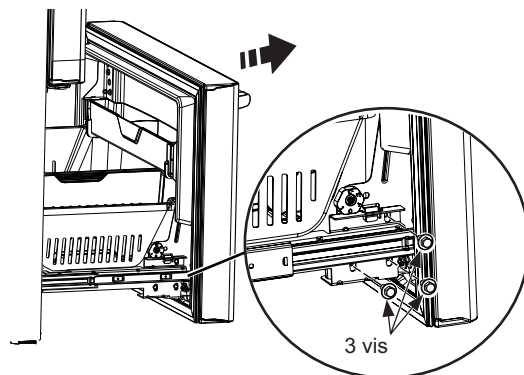


### 3 RÉINSTALLATION DES PORTES DU RÉFRIGÉRATEUR (suite)

- D** Fixez fermement la porte en position fermée avec du ruban cache ou demandez à une autre personne de supporter la porte.
- E** Suivez la même procédure pour installer la porte opposée. La porte opposée ne comporte pas de fils, de tuyaux d'eau ni de couvercles de charnière centrale.
- F** Assurez-vous de réinstaller le fil de terre et le détendeur sur la charnière supérieure.
- G** Réinstallez le couvercle de charnière. **REMARQUE :** Assurez-vous que les fils ne sont pas pincés ni qu'ils se trouvent en-dessous des blocs de fixation avant de serrer les vis.

### 4 RÉINSTALLATION DES PORTES DU RÉFRIGÉRATEUR

- A** Tirez sur la porte du congélateur jusqu'à ce qu'elle soit complètement ouverte.
- B** Retirez 3 vis de fixation situées dans le bas de chaque côté de la porte du congélateur. À l'aide d'un tournevis à douille hexagonale 3/8 po ou 8 mm (5/16 po).



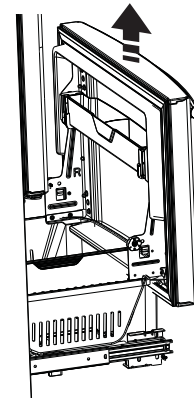
#### **ATTENTION** Risque lors du levage de charge

La porte du congélateur est lourde. Utilisez les deux mains pour maintenir la porte avant de la soulever.

- C** Soulevez la porte du congélateur et placez-la sur le mécanisme à glissières.

La porte peut reposer en toute sécurité sur le fond. Ne posez pas la porte sur toute autre surface pour éviter les rayures.

Repoussez le mécanisme à glissières complètement jusqu'à ce qu'il se rétracte automatiquement.

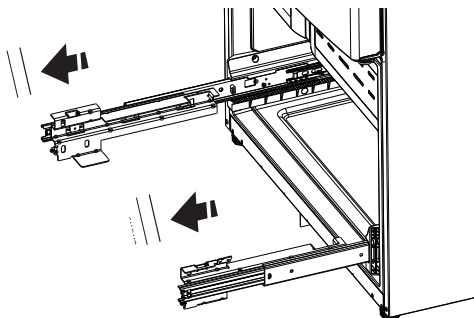


# Instructions d'installation

## INSTALLATION DU RÉFRIGÉRATEUR (suite)

### 5 RÉINSTALLATION DES PORTES DU RÉFRIGÉRATEUR

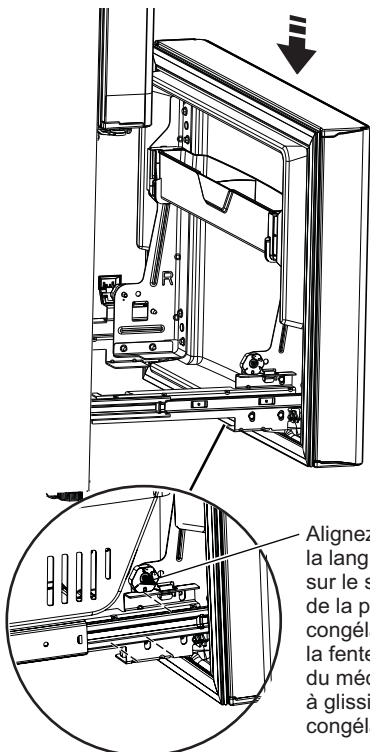
- A** Tirez simultanément avec les deux mains sur le mécanisme à glissières jusqu'à extension complète.
- B** Retirez le panier reposant sur les glissières.



**ATTENTION** Risque lors du levage de charge

La porte du congélateur est lourde. Utilisez les deux mains pour maintenir la porte avant de la soulever.

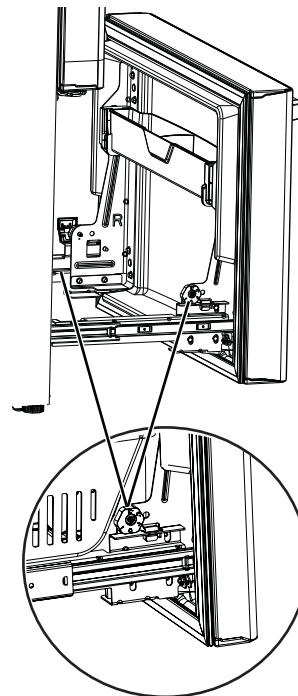
- C** Soulevez la porte du congélateur et placez-la sur le mécanisme à glissières.



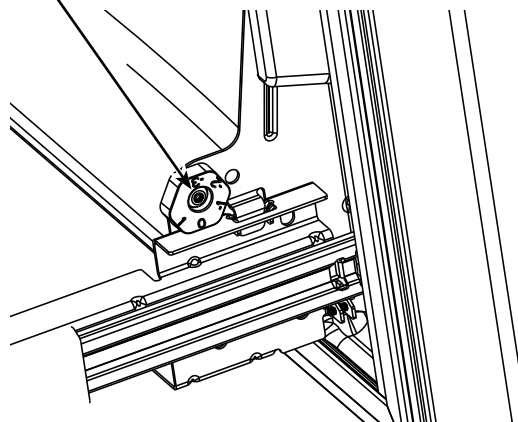
Alignez et insérez la languette sur le support de la porte du congélateur dans la fente du support du mécanisme à glissières du congélateur.

- D** Remettez les vis de fixation en place et serrez-les au couple de 65 po-lb.
- E** Pour ajuster les écarts au niveau de la porte du congélateur, suivez les instructions données en page 30.
- F** Remettez le panier en place.

### 6 MISE À NIVEAU DE LA PORTE DU CONGÉLATEUR



- A** Localisez la came de réglage de la hauteur dans la porte du congélateur. Desserrez légèrement les trois vis de fixation de la porte sur les deux côtés à l'aide d'un tournevis à douille hexagonale 3/8 po ou 8 mm (5/16 po).
- B** Repérez et desserrez la vis de came à l'aide d'un tournevis à douille hexagonale Torx T27 ou 8 mm (5/16 po).



# Instructions d'installation

## INSTALLATION DU RÉFRIGÉRATEUR (suite)

### Instructions concernant l'ajustement des écarts de la porte du congélateur :

#### IMPORTANT!

Les 6 vis de montage (3 de chaque côté) ne sont PAS interchangeables avec les vis de la charnière centrale ou supérieure. Après l'installation de la porte du congélateur, vérifiez que les écarts sont uniformes (le haut et le bas des côtés gauche et droit) à l'aide du gabarit fourni.

Si des écarts trop importants sont observés, suivez les étapes suivantes pour ajuster la porte du congélateur.

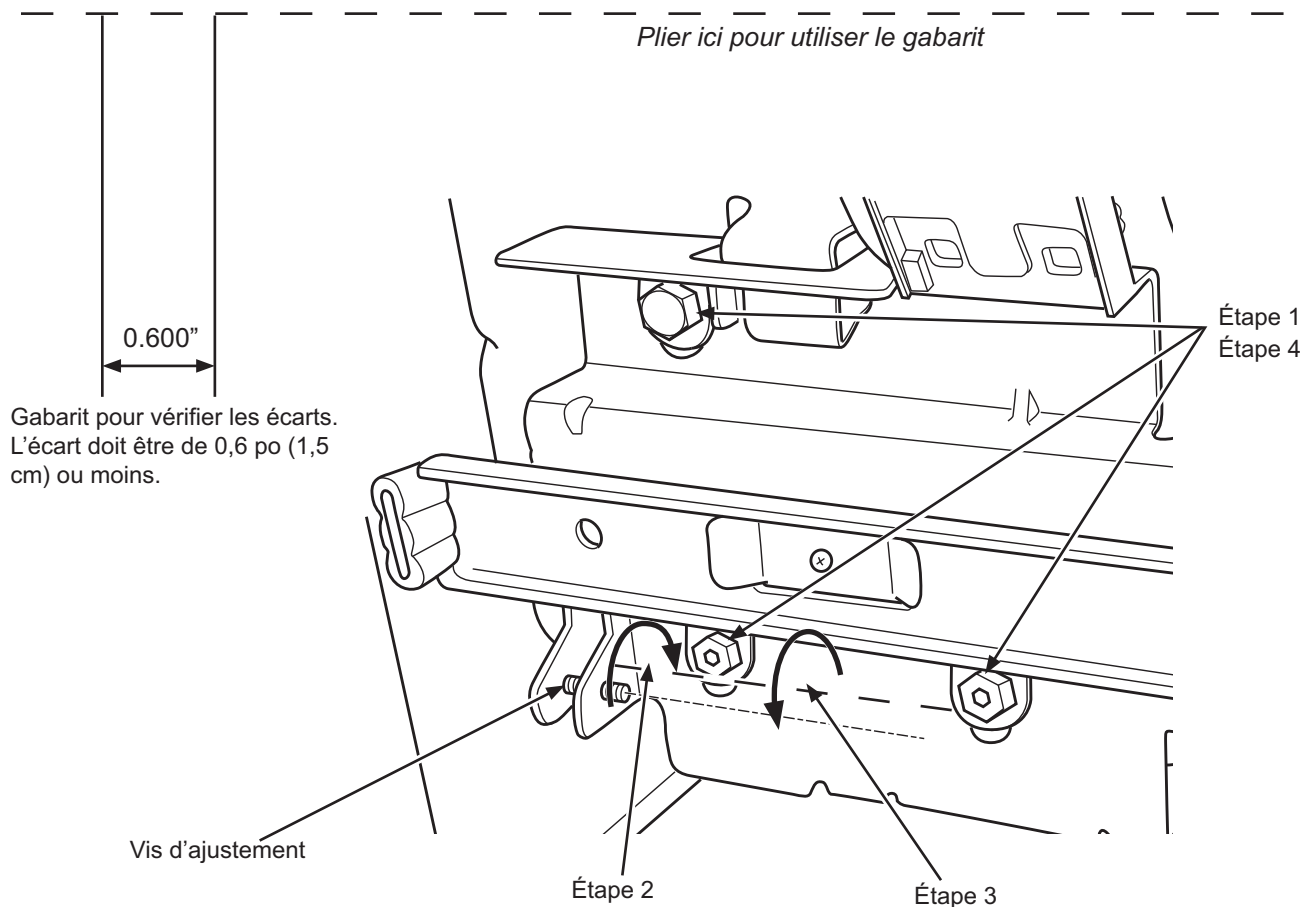
**Étape 1** - Desserrez les 3 vis de chaque côté (droit et gauche) de la porte du congélateur.

**Étape 2** - Tournez la vis d'ajustement dans le sens des aiguilles si l'écart dans le haut est trop important (voir le gabarit). À l'aide d'une clé hexagonale de 3/32 po, tournez la vis d'ajustement dans le sens des aiguilles sur un quart à un demi-tour.

**Étape 3** - Tournez la vis d'ajustement dans le sens contraire des aiguilles si l'écart dans le bas est trop important (voir le gabarit). À l'aide d'une clé hexagonale de 3/32 po, tournez la vis d'ajustement dans le sens contraire des aiguilles sur un quart à un demi-tour.

**Étape 4** - Serrez les 3 vis de chaque côté (droit et gauche).

**Étape 5** - Vérifiez les écarts de nouveau à l'aide du gabarit et répétez les étapes 1 à 4 s'il y a lieu et terminez par l'étape 5.

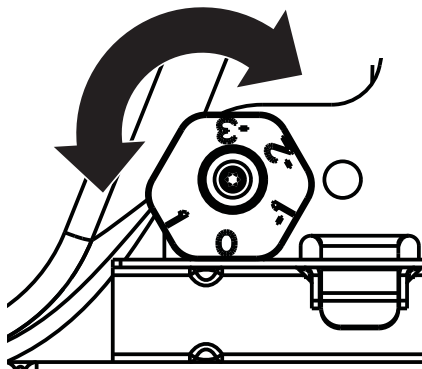


# Instructions d'installation

## INSTALLATION DU RÉFRIGÉRATEUR (suite)

### 6 MISE À NIVEAU DE LA PORTE DU CONGÉLATEUR (suite)

- A** Soulevez la porte sur le côté nécessitant un réglage, faites tourner la came jusqu'à la position requise.



- 0 – Position initiale
- 1 – Lever de 0,050 po
- 1 – Abaisser de 0,050 po
- 2 – Abaisser de 0,100 po
- 3 – Abaisser de 0,150 po

- B** Après le réglage, serrez les 3 vis de fixation au couple de 65 lb-po.

### 7 INSTALLATION DE LA POIGNÉE DU RÉFRIGÉRATEUR ET DU CONGÉLATEUR

#### Avant de commencer...

- Pour éviter les blessures, portez des chaussures fermées lors de l'installation des poignées.
- Lors de l'installation, saisissez la poignée fermement pour vous assurer qu'elle ne tombe pas et ne raye pas la finition de l'appareil.
- **IMPORTANT:** Pour vous assurer que les poignées seront correctement installées, veuillez lire les instructions et examiner les illustrations attentivement avant de commencer l'installation.
- **IMPORTANT:** N'utilisez pas d'outils électriques pour serrer les vis de pression.

#### Outils fournis:

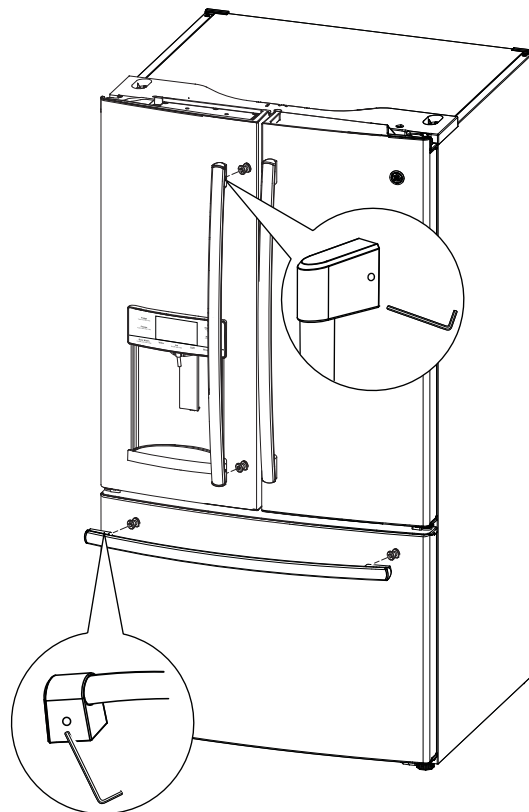
- Clé hexagonale 1/8 po

### 7 INSTALLATION DE LA POIGNÉE DU RÉFRIGÉRATEUR ET DU CONGÉLATEUR (SUITE)

L'apparence de la poignée peut varier en fonction du modèle; cependant, la procédure d'installation est la même.

- A** Retirez toute pellicule protectrice de la porte ou du devant des tiroirs avant d'installer les poignées (s'il y a lieu).
- B** Retirez la poignée de l'emballage et repérez la clé hexagonale 1/8" fournie.
- C** Placez la poignée sur les fixations de montage jusqu'à ce qu'elle affleure la surface de la porte.
- D** Serrez les deux vis de pression dans les capuchons d'extrémité de la poignée en tournant la clé hexagonale de 1/8" dans le sens des aiguilles d'une montre jusqu'à ce que la poignée ne branle pas ou ne tombe pas de son support. Ne serrez pas complètement pour le moment.
- E** **IMPORTANT:** Maintenez fermement la poignée contre la porte, assurez-vous qu'il n'y a pas d'espace entre les capuchons d'extrémité de la poignée et la porte, et serrez complètement les vis de pression.

Pour retirer les poignées, inversez la procédure d'installation.



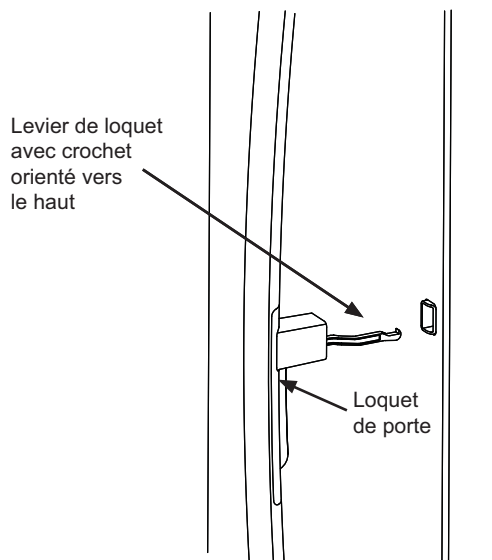
# Instructions d'installation

## INSTALLING THE REFRIGERATOR (Cont.)

### 7 INSTALLATION DE LA POIGNÉE DU RÉFRIGÉRATEUR POUR MODÈLES À PORTE INTÉRIEURE (DOOR-IN-DOOR) SEULEMENT

L'apparence de la poignée peut varier en fonction du modèle; cependant, la procédure d'installation est la même.

- A** Retirez toute pellicule protectrice de la porte ou du devant des tiroirs avant d'installer les poignées (s'il y a lieu). **Ne retirez pas le ruban adhésif qui fixe la porte intérieure à la porte extérieure avant d'avoir installé la poignée.**
- B** Retirez la poignée de l'emballage et repérez la clé hexagonale 1/8" fournie.
- C** Alignez le levier sur l'ouverture de la porte la porte extérieure. Assurez-vous que le crochet est orienté vers la haut.
- D** Insérez le levier du loquet dans l'ouverture et placez la poignée sur les fixations de montage jusqu'à ce qu'elle affleure la surface de la porte.
- E** Serrez les deux vis de pression dans les capuchons d'extrémité de la poignée en tournant la clé hexagonale de 1/8" dans le sens des aiguilles d'une montre jusqu'à ce que la poignée ne branle pas ou ne tombe pas de son support. Ne serrez pas complètement pour le moment.
- F** **IMPORTANT:** Maintenez fermement la poignée contre la porte, assurez-vous qu'il n'y a pas d'espace entre les capuchons d'extrémité de la poignée et la porte, et serrez complètement les vis de pression.  
Pour retirer les poignées, inversez la procédure d'installation.



# Instructions d'installation

## INSTALLATION DU RÉFRIGÉRATEUR (suite)

### Installation du support anti-basculement par fixation au sol (le cas échéant)

**⚠ AVERTISSEMENT**  Risque de **basculement**

Si une ferrure antibasculement est incluse avec votre réfrigérateur, installez-la pour empêcher le réfrigérateur de basculer vers l'avant, ce qui pourrait occasionner des blessures graves ou mortelles. Veuillez lire et observer l'intégralité des instructions d'installation pour connecter cette ferrure à votre réfrigérateur.



**REMARQUE :**  
Si la ferrure anti-basculement incluse avec votre réfrigérateur est endommagée ou perdue, visitez-nous en ligne sur [cafeappliances.ca/parts](http://cafeappliances.ca/parts) pour en recevoir un gratuitement.  
Pour les instructions d'installation du système consultez le site [cafeappliances.ca/literature](http://cafeappliances.ca/literature).

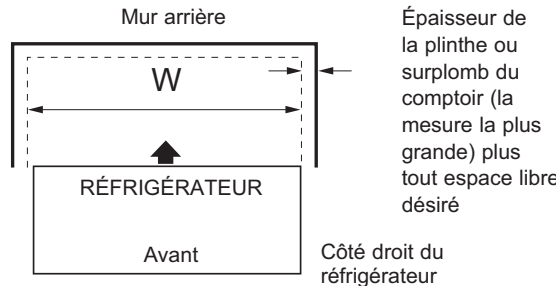
**MATÉRIEL DONT VOUS POUVEZ AVOIR BESOIN (non inclus)**

Tire-fond ¼ po (6 mm) x 1 ½ po (38 mm)  Manchons d'ancrage ½ po (12 mm) de diamètre externe 

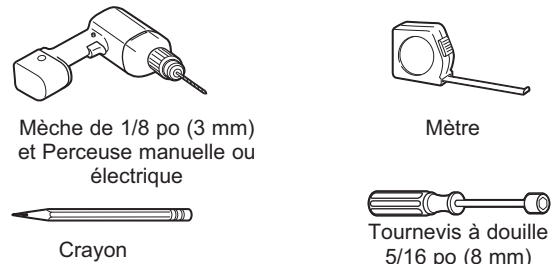
Mèche adaptée aux ancrages  
Uniquement pour les systèmes anti-basculement par fixation au sol en BÉTON

**AT-1 MESURE DE L'OUVERTURE DISPONIBLE COMPARÉE A LA LARGEUR DU RÉFRIGÉRATEUR**

Mesurez W, la largeur de l'ouverture dans laquelle vous voulez mettre votre réfrigérateur. Assurez-vous de tenir compte de tout surplomb du comptoir, de l'épaisseur de la plinthe et de tout espace libre désiré. La largeur W doit être supérieure à 36 po (91.44 cm). Vous devez placer le réfrigérateur approximativement au milieu de cette ouverture.



**OUTILLAGE NÉCESSAIRE**



Mèche de 1/8 po (3 mm) et Perceuse manuelle ou électrique

Mètre

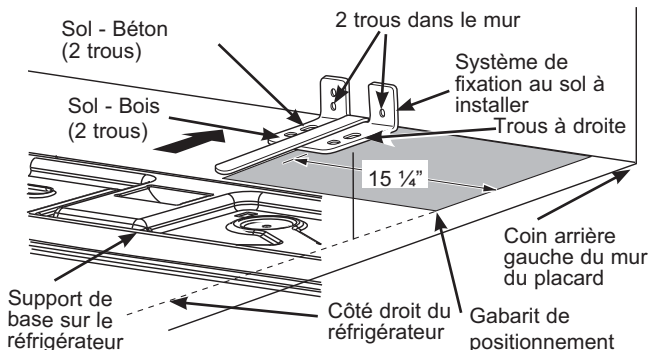
Crayon

Tournevis à douille 5/16 po (8 mm)

**AT-2 POSITIONNEMENT DU SYSTÈME ANTI-BASCOULEMENT PAR FIXATION AU SOL**

**A** Placez le gabarit de positionnement du système anti-basculement par fixation au sol (fourni dans la trousse anti-basculement) sur le sol contre le mur arrière, à l'intérieur de W, et en ligne avec l'emplacement souhaité pour le côté droit du réfrigérateur (voir figure 1).a

Figure 1 – – Vue d'ensemble de l'installation



**B** Placez le système anti-basculement par fixation au sol sur le gabarit de positionnement avec ses trous au sol de droite alignés aux trous au sol indiqués sur le gabarit, à approximativement 15 ¼ po (38.73 cm) du bord du gabarit ou du côté droit du réfrigérateur.

**C** Maintenez en position et utilisez le système anti-basculement par fixation au sol comme gabarit pour marquer les trous en vous basant sur votre configuration et la catégorie de construction indiquée dans l'étape 3. Marquez l'emplacement des trous avec un crayon, un clou ou un poinçon.

**REMARQUE :**

- Il est OBLIGATOIRE d'utiliser au moins 2 vis pour fixer le système de fixation au sol (un de chaque côté du système anti-basculement par fixation au sol). Les deux doivent entrer dans le mur ou dans le sol. La figure 2 indique toutes les configurations acceptables de montage pour ces vis. Identifiez les trous de vis sur le système anti-basculement par fixation au sol pour votre configuration.

# Instructions d'installation

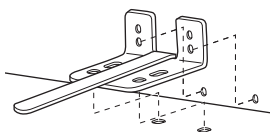
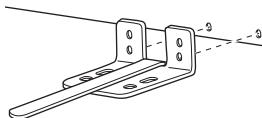
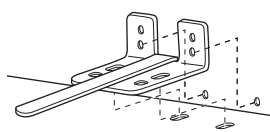
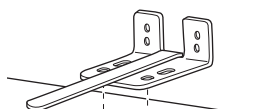
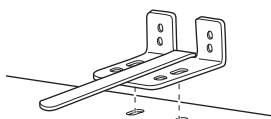
## INSTALLATION DU RÉFRIGÉRATEUR (suite)

### Installation du support anti-basculement par fixation au sol (si nécessaire)

**AT-2**

### POSITIONNEMENT DU SYSTÈME ANTI-BASCULEMENT PAR FIXATION AU SOL (suite)

Figure 2 – Emplacements acceptables pour les vis

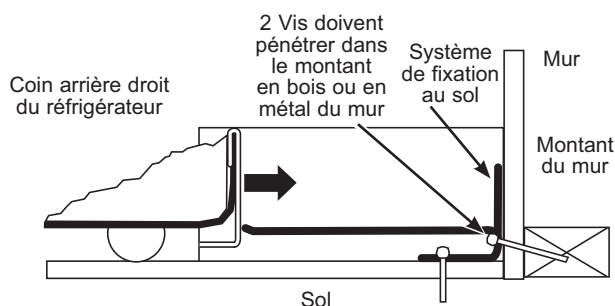
 Installation recommandée  
- Bois

 Minimum Acceptable #1 –  
Montant de poutre

 Installation recommandée  
- Béton

 Minimum Acceptable #2 –  
Plancher en bois

 Minimum Acceptable #3 –  
Sol en béton

**AT-3**

### INSTALLATION DU SYSTÈME ANTI-BASCULEMENT

**A** Mur et plancher en BOIS :

- Percez le nombre approprié de trous de guidage de 1/8 po au centre de chaque trou pour la fixation de sol utilisée (vous pouvez utiliser un clou ou un poinçon si vous n'avez pas de perceuse) ET enlevez le gabarit du sol.
- Montez la fixation de sol anti-basculement en vissant fermement les 2 ou 4 (recommandé) vis à tête hexagonale, n° 10-16 comme illustré à la figure 3.

Figure 3 – Fixation au mur et au sol


**B** Mur et plancher en BETON :

- Ancrages nécessaires (non fourni) :  
4 tire-fond d' 1/4 po (6 mm) x 1- 1/2 po (38 mm) 4 manchons d'ancrage d' 1/2 po (12 mm) de diamètre externe
- Percez les trous de taille recommandés pour les ancrages dans le béton au centre des trous marqués dans l'étape 2.
- Placez les manchons d'ancrage dans les trous percés. Placez la fixation de sol anti-basculement comme indiquée à l'étape 2. Retirez le gabarit de positionnement du sol.
- Installez les tire-fond à travers la fixation de sol anti-basculement et serrez correctement.

**C** Mur en BOIS et sol CARRELE :

- Pour ce cas particulier, localisez les 2 trous sur le mur identifié dans la figure 2. Percez diagonalement un trou de guidage de 1/8 po (3 mm) au centre de chaque trou (comme indiqué à la Fig. 3).
- Installez la fixation de sol anti-basculement en utilisant le Minimum Acceptable #1, comme illustré dans la Fig. 2.

**AT-4**

### POSITIONNEMENT DU RÉFRIGÉRATEUR POUR L'ENGAGER DANS LE SYSTÈME ANTI-BASCULEMENT

- A** Avant de mettre le réfrigérateur dans son emplacement final, branchez le cordon d'alimentation dans la prise de courant et raccordez l'eau (si nécessaire). Vérifiez qu'il n'y a pas de fuite.
- B** Trouvez le côté droit du réfrigérateur et faites le reculer jusqu'à ce qu'il soit approximativement aligné avec le côté droit de l'ouverture W. Cette manœuvre devrait positionner le système anti-basculement pour que celui-ci s'accroche à la base anti-basculement du réfrigérateur
- C** Faites doucement rouler le réfrigérateur dans l'ouverture jusqu'à ce qu'il s'arrête. Vérifiez que l'avant du réfrigérateur s'aligne avec la façade des placards. Dans le cas contraire, faites délicatement basculer le réfrigérateur vers l'avant et vers l'arrière jusqu'à ce que le système anti-basculement soit engagé et que vous remarquiez que le réfrigérateur est complètement poussé contre le mur du fond
- D** **Si nécessaire** : Réglez la hauteur des roulettes arrière (et avant) de manière à engager complètement le système anti-basculement, tout en alignant l'avant du réfrigérateur à l'avant des placards.

**REMARQUE** : Si vous faites sortir le réfrigérateur en le tirant et l'écartez du mur pour une raison quelconque, assurez-vous de bien engager le système anti-basculement quand vous repoussez le réfrigérateur contre le mur du fond.

# Instructions d'installation

## INSTALLATION DU RÉFRIGÉRATEUR (suite)

### 8 RACCORDEMENT DU RÉFRIGÉRATEUR À LA CONDUITE D'EAU DE LA MAISON

Une alimentation d'eau froide est requise pour faire fonctionner la machine à glaçons automatique. Vous devrez en fournir une si elle n'existe pas. Consultez la section « Installation de l'alimentation en eau ».

#### REMARQUES :

- Avant de raccorder la conduite d'eau au réfrigérateur, assurez-vous que le cordon d'alimentation électrique du réfrigérateur n'est pas branché à la prise murale.
- Si votre réfrigérateur n'est pas équipé de filtre à eau, nous recommandons d'en monter un si votre alimentation d'eau contient du sable ou des particules qui peuvent boucher la grille du robinet d'eau du réfrigérateur. Installez le dans la conduite d'alimentation d'eau froide près du réfrigérateur. Si vous utilisez une trousse SmartConnect™ Refrigerator Tubing, vous aurez besoin d'un tuyau supplémentaire (WX08X10002) pour brancher le filtre. Ne coupez pas le tuyau en plastique pour installer le filtre.
- Avant de raccorder la conduite d'eau à la maison, purgez la ligne de la maison pendant au moins 2 minutes.

- A** Si vous utilisez un tuyau de cuivre, placez un écrou de compression et une bague (manchon) à l'extrémité du tuyau qui vient de l'alimentation d'eau froide de la maison. Si vous utilisez le tuyau SmartConnect™, les écrous sont déjà assemblés au tuyau.

- B** Si vous utilisez un tuyau de cuivre, insérez aussi loin que possible l'extrémité du tuyau dans le raccord à l'arrière du réfrigérateur. Tout en tenant le tuyau, serrez le raccord.

Si vous utilisez un tuyau SmartConnect™, insérez l'extrémité moulée du tuyau dans le raccord à l'arrière du réfrigérateur, puis serrez l'écrou à compression à la main. Serrez ensuite d'un autre tour à l'aide d'une clé. Des fuites peuvent survenir si l'écrou est trop serré.

- C** Fixez le tuyau dans le collier de serrage fourni pour le maintenir en position. Vous aurez peut être besoin d'écarter la bride.

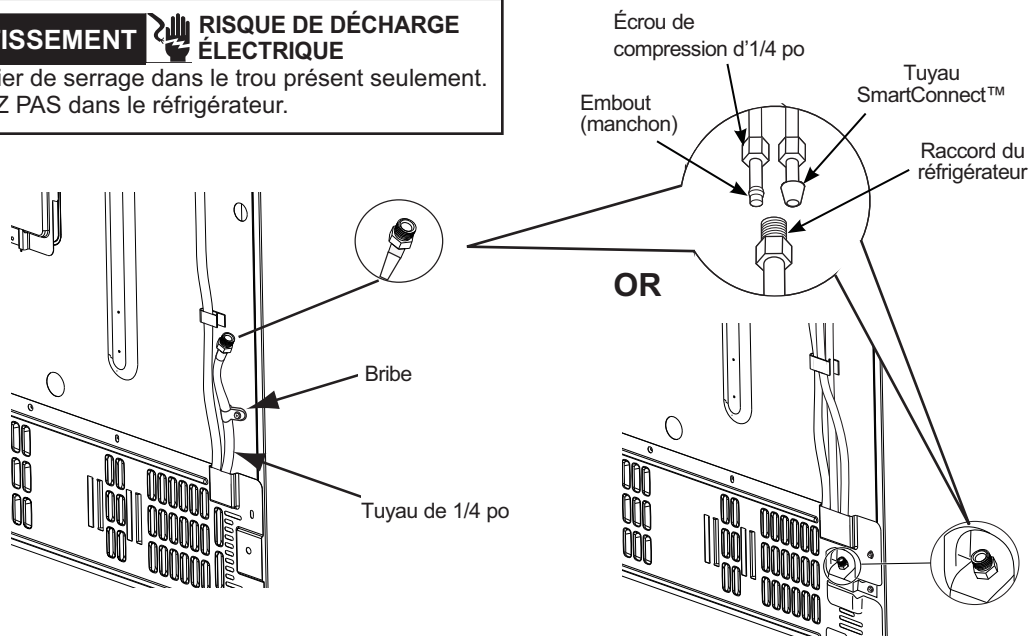
#### ⚠ AVERTISSEMENT

Raccordez-vous à une alimentation en eau potable seulement.

Une alimentation en eau potable est requise pour le fonctionnement de la machine à glaçons. La pression d'eau doit se situer entre 40 et 120 psi (275 à 827 kilopascals).

#### ⚠ AVERTISSEMENT RISQUE DE DÉCHARGE ÉLECTRIQUE

Fixez le collier de serrage dans le trou présent seulement. NE PERCEZ PAS dans le réfrigérateur.



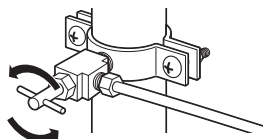


# Instructions d'installation

## INSTALLATION DU RÉFRIGÉRATEUR (suite)

### 9 OUVRIR L'ALIMENTATION EN EAU

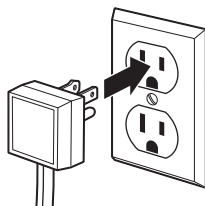
Ouvrez l'alimentation d'eau au niveau du robinet d'arrêt (alimentation en eau de la maison) et vérifiez qu'il n'y a pas de fuite.



### 10 BRANCHEMENT DU CORDON D'ALIMENTATION DU RÉFRIGÉRATEUR

Veuillez lire les informations de mise à la terre fixées au cordon d'alimentation.

Une fois le réfrigérateur sous tension, pressez la palette du distributeur pour faire couler l'eau durant au moins 5 minutes afin d'expulser l'air de la conduite d'eau et rincer le filtre. Jetez les premiers lots de glace. Pour les modèles sans distributeur, jetez le premier bac de glaçons qui a été produit.

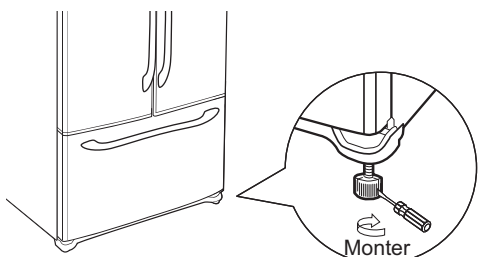


### 11 MISE À NIVEAU DU RÉFRIGÉRATEUR

Les pieds de mise à niveau servent :

- à ajuster le réfrigérateur pour que celui-ci soit correctement positionné sur le sol et ne vacille pas
- de frein pour stabiliser le réfrigérateur pendant son utilisation et son nettoyage. Les pieds de mise à niveau permettent aussi d'empêcher le réfrigérateur de basculer.

- A** Tournez les pieds de mise à niveau dans le sens des aiguilles d'une montre pour relever le réfrigérateur et dans le sens inverse des aiguilles d'une montre pour l'abaisser.

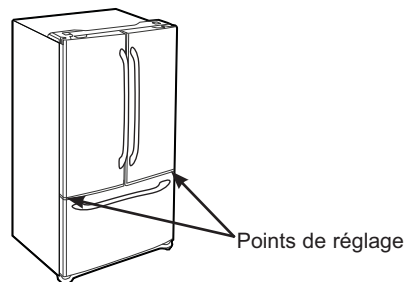


Tournevis à tête plate

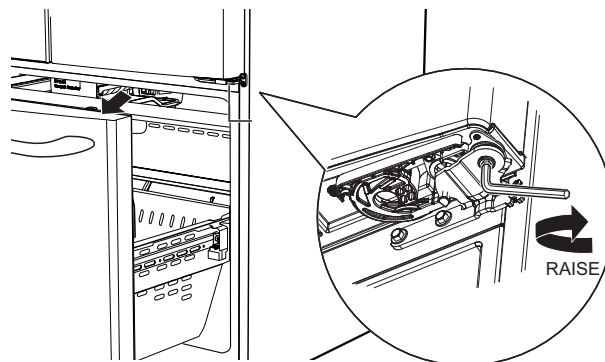
**REMARQUE :** Pour éviter tout dommage matériel, les pieds de mise à niveau doivent bien reposer sur le sol.

### 12 MISE À NIVEAU DES PORTES DU RÉFRIGÉRATEUR

Rappelez-vous qu'il est nécessaire que le réfrigérateur soit de niveau pour que les portes soient parfaitement de niveau. Si vous avez besoin d'aide, consultez la section précédente sur la mise à niveau du réfrigérateur.



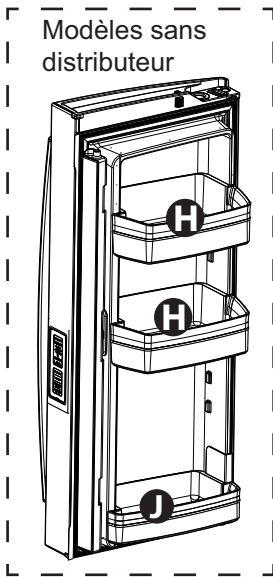
- A** Si vous ouvrez la porte du congélateur, vous verrez la charnière centrale.
- B** Insérez une clé Allen d'1/4 po dans l'axe de la charnière centrale.
- C** Ajustez la hauteur en tournant dans le sens des aiguilles d'une montre ou dans le sens inverse des aiguilles d'une montre. Lorsque vous tournez dans le sens inverse des aiguilles d'une montre, la porte se déplace vers le haut.



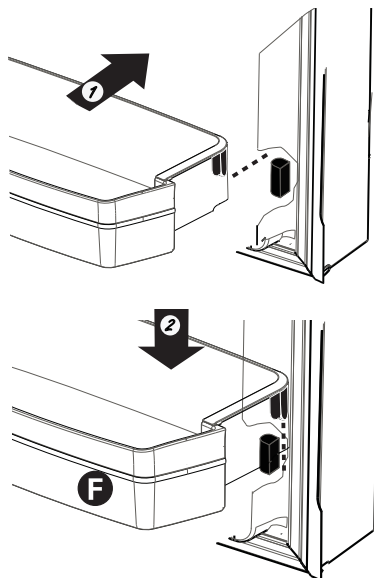
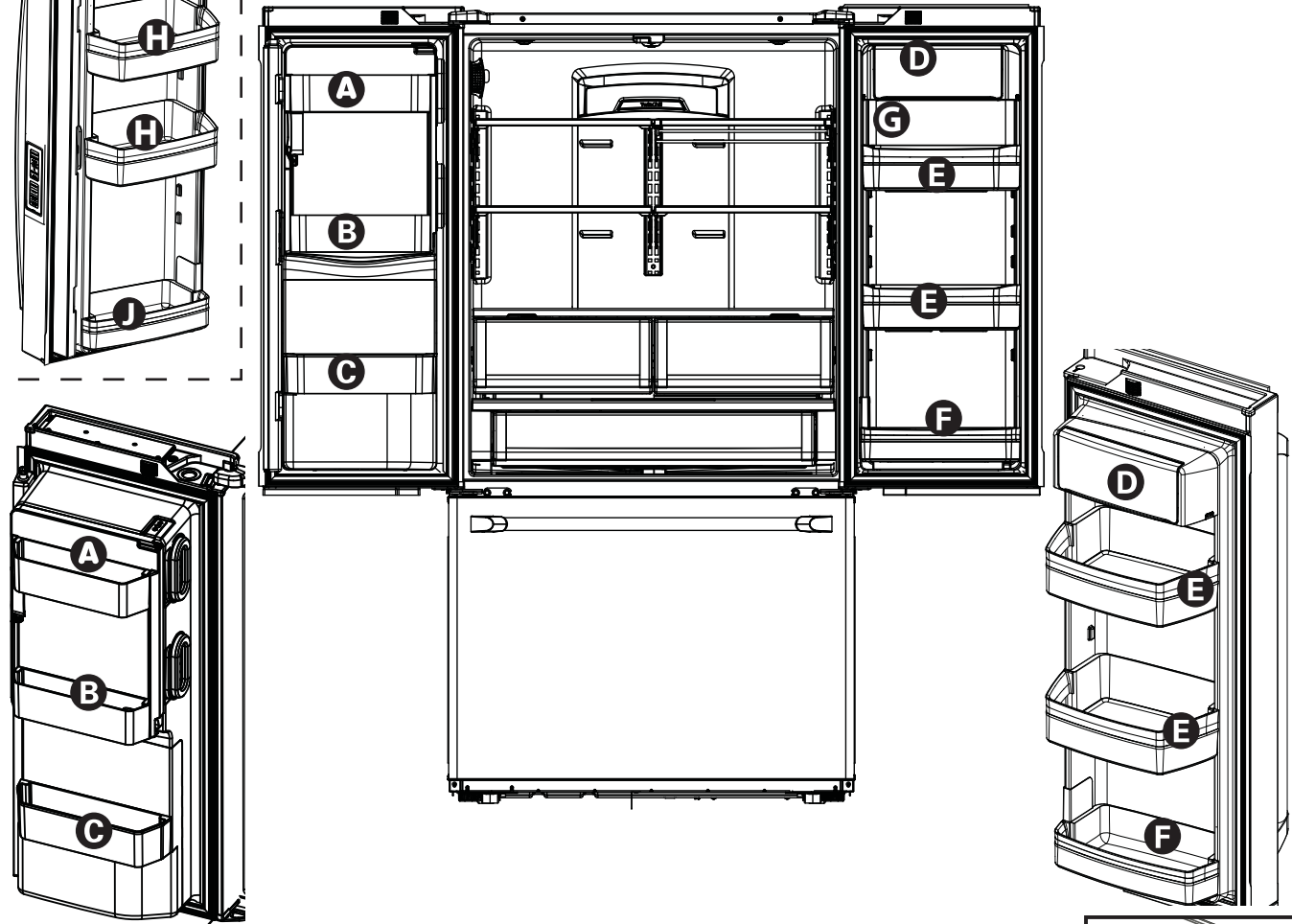
**REMARQUE :** Sur certains modèles, la porte de gauche du compartiment réfrigérateur n'est pas ajustable.

# Instructions d'installation

## INSTALLATION DU RÉFRIGÉRATEUR (suite)

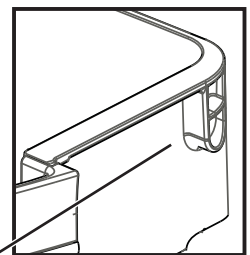


Instructions de montage du réfrigérateur (suggestion).

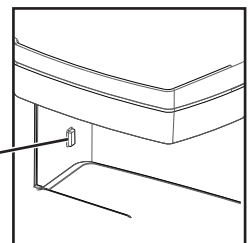


**1** Pour positionner les bacs dans les portes :  
Faites correspondre votre bac avec la lettre indiquée. Positionnez les crochets du bac sur le repère et le pousser en avant jusqu'à insertion complète.

**2** Appuyez sur le bac jusqu'à ce qu'il soit bien encastré dans sa position finale.



Crochet de bac arrière de chaque côté



Repère du bac de chaque côté

# Instructions d'installation

## INSTALLATION DE LA CONDUITE D'EAU

### AVANT DE COMMENCER

Nous recommandons les trouses d'alimentation d'eau en cuivre WX8X2, WX8X3, WX8X4, selon la longueur de tuyau dont vous avez besoin. Nous approuvons les conduites d'eau en matière plastique SmartConnect™ Refrigerator Tubing (WX08X10006, WX08X10015 et WX08X10025).

Si vous installez un système d'eau à osmose inverse GE Appliances dans votre réfrigérateur, la trousse GE Appliances RVKIT est la seule installation approuvée. Pour les autres systèmes à osmose inverse, suivez les recommandations du fabricant.

Si l'alimentation d'eau du réfrigérateur provient d'un système de filtration de l'eau par osmose inverse (OI) ET si votre réfrigérateur est équipé d'un filtre à eau, utilisez le bouchon de dérivation du filtre du réfrigérateur. En cas d'utilisation de la cartouche de filtration d'eau du réfrigérateur associée à un filtre à OI peut produire des glaçons creux. Certains modèles ne sont pas équipés d'un bouchon de dérivation de filtre. Pour obtenir un bouchon de dérivation gratuitement, visitez-nous en ligne sur [cafeappliances.ca/parts](http://cafeappliances.ca/parts).

L'installation de cette conduite d'eau n'est pas garantie par le fabricant du réfrigérateur ou de la machine à glaçons. Suivez attentivement ces instructions afin de minimiser le risque de fuite d'eau et de dommages onéreux.

Les coups de bélier (coups dans les tuyaux) dans la tuyauterie de la maison peuvent endommager les pièces de votre réfrigérateur et provoquer des fuites d'eau ou des inondations. Appelez un plombier certifié pour corriger les coups de bélier avant de brancher l'alimentation en eau au réfrigérateur.

Pour prévenir les brûlures et éviter d'endommager votre produit, ne branchez pas le tuyau d'eau à une conduite d'eau chaude.

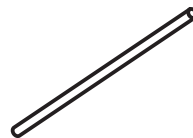
Pour les modèles avec affichage LCD : Si le réfrigérateur est mis en marche avant le raccordement de l'alimentation d'eau à la machine à glaçons, voir ICE MAKER (machine à glaçons) sous le menu SETTINGS (Réglages) de la section LCD Operations (Opérations LCD) et suivre les commandes à l'écran pour éteindre l'appareil (OFF).

Ne pas installer la tubulure de la machine à glaçons à des endroits où la température baisse sous le point de congélation.

Lors de l'utilisation d'un appareil électrique (tel qu'une perceuse) durant l'installation, s'assurer que celui-ci est doublement isolé et qu'il est mis à la terre de façon à prévenir les chocs électriques, ou qu'il est alimenté par batterie.

Toutes les installations doivent être conformes aux codes de plomberie locaux.

### PIÈCES NÉCESSAIRES



- Tuyaux en cuivre ou trousse SmartConnect™ Refrigerator Tubing, diamètre extérieur d'1/4 po pour brancher le réfrigérateur à l'alimentation d'eau. Si vous utilisez un tuyau en cuivre, les deux extrémités du tuyau doivent être coupées bien droit.

Pour déterminer la longueur de tuyau dont vous avez besoin : mesurez la distance entre le robinet d'eau à l'arrière du réfrigérateur et le tuyau d'alimentation en eau. Assurez-vous d'avoir une longueur de tuyau suffisante pour permettre d'éloigner le réfrigérateur du mur après l'installation.

Les trouses de tuyauterie pour réfrigérateur SmartConnect™ sont disponibles dans les longueurs suivantes :

8 pi (2,4 m) - WX08X10006

15 pi (4,6 m) - WX08X10015

25 pi (7,6 m) - WX08X10025

### ⚠ AVERTISSEMENT

Raccordez-vous à une alimentation en eau potable seulement.

Une alimentation en eau potable est requise pour le fonctionnement de la machine à glaçons. La pression d'eau doit se situer entre 40 et 120 psi (275 à 827 kilopascals).

# Instructions d'installation

## INSTALLATION DE LA CONDUITE D'EAU (suite)

### PIÈCES NÉCESSAIRES (suite)

**REMARQUE :** Les seuls tuyaux en plastique autorisés par GE Appliances sont fournis avec la trousse SmartConnect™ Refrigerator Tubing. N'utilisez pas d'autres tuyaux d'alimentation d'eau en plastique, cette ligne étant sous pression en permanence. Certains types de plastique peuvent se fissurer ou se rompre avec le vieillissement et causer des dégâts d'eau dans votre maison.

- Vous pouvez vous procurer une trousse de branchement à l'alimentation d'eau (contenant tuyau, robinet, raccords et instructions) auprès de votre fournisseur ou [cafeappliances.ca/parts](http://cafeappliances.ca/parts).

- Alimentation en eau froide La pression de l'alimentation d'eau doit être entre 20 et 120 psi (1,4 à 8,1 bar).

- Perceuse électrique.

- Clé d'1/2 po ou clé réglable

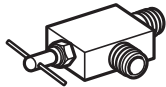
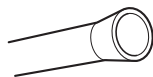
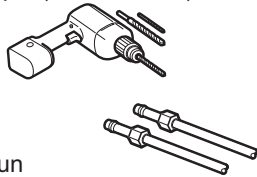
- Un tournevis à tête plate et un tournevis cruciforme.

- Deux écrous à compression d'un diamètre extérieur de 1/4 po et deux bagues (manchons)—pour brancher le tuyau en cuivre au robinet d'arrêt et au robinet d'eau du réfrigérateur. OU

- Si vous utilisez une trousse SmartConnect™ Refrigerator Tubing, les raccords nécessaires sont déjà assemblés au tuyau.

- Si votre canalisation d'eau actuelle en cuivre est équipée d'un raccord évasé à une extrémité, vous aurez besoin d'un adaptateur (que vous trouverez dans votre magasin de matériel de plomberie) pour brancher le tuyau d'eau au réfrigérateur, OU BIEN vous pouvez couper le raccord évasé à l'aide d'un coupe-tube, puis utiliser un raccord à compression. Ne coupez jamais l'extrémité finie d'un tuyau de la trousse SmartConnect™ Refrigerator Tubing.

- Robinet d'arrêt pour brancher le tuyau d'eau froide. Le robinet d'arrêt doit avoir une entrée d'eau avec un diamètre intérieur minimal de 5/32 po au point de jonction avec le TUYAU D'EAU FROIDE. Des robinets d'arrêt de type vanne à étrier sont souvent inclus dans les trousse d'alimentation d'eau. Avant d'en acheter, assurez-vous que ce type de robinet est conforme à vos codes de plomberie locaux.



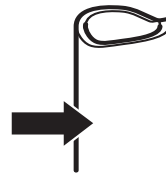
Installez le robinet d'arrêt sur la canalisation d'eau potable la plus proche.

### 1 FERMETURE DE L'ALIMENTATION D'EAU PRINCIPALE

Ouvrez le robinet le plus proche pour purger l'eau des tuyauteries.

### 2 CHOISISSEZ L'EMPLACEMENT DU ROBINET

Choisissez un emplacement pour le robinet qui soit facilement accessible. Il est préférable de se connecter sur le côté d'un tuyau vertical. Si vous devez vous connecter à un tuyau horizontal, faites le branchement vers le haut ou sur le côté, plutôt qu'en bas du tuyau pour éviter de recevoir des sédiments provenant de la conduite d'eau.

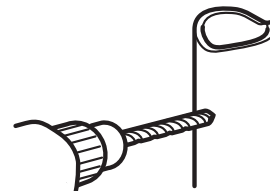


### 3 PERCAGE D'UN TROU POUR LE ROBINET

Percez un trou de 1/4 po dans le tuyau d'eau, à l'aide d'un foret dur, même si vous utilisez un robinet auto-forant. Enlevez toutes les bavures dues au perçage du trou dans le tuyau.

Veillez à ne pas laisser l'eau couler dans votre perceuse.

Si vous ne percez un trou d'1/4 po, votre production de glace ainsi que la taille des glaçons seront réduites.

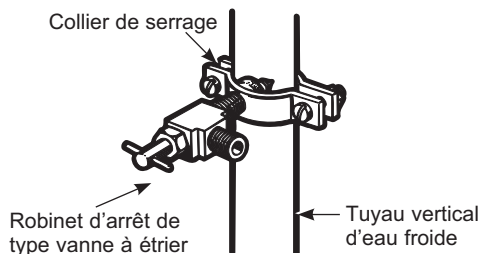


# Instructions d'installation

## INSTALLATION DE LA CONDUITE D'EAU (suite)

### 4 FIXATION DU ROBINET D'ARRÊT

Fixez le robinet d'arrêt à la canalisation d'eau froide à l'aide du collier de serrage.

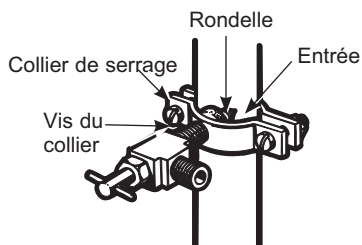


**REMARQUE :** L'installation sera conforme aux codes de plomberie 248CMR du Commonwealth du Massachusetts. L'utilisation de robinets-vannes à étrier sont interdites au Massachusetts. Demandez l'avis de votre plombier qualifié.

### 5 SERRAGE DU COLLIER

Serrez les vis du collier jusqu'à ce que la rondelle d'étanchéité commence à enfler.

**REMARQUE :** Ne serrez pas trop, vous risquez d'écraser le tuyau.



### 6 PASSAGE DU TUYAU

Faites passer le tuyau entre la conduite d'eau froide et le réfrigérateur.

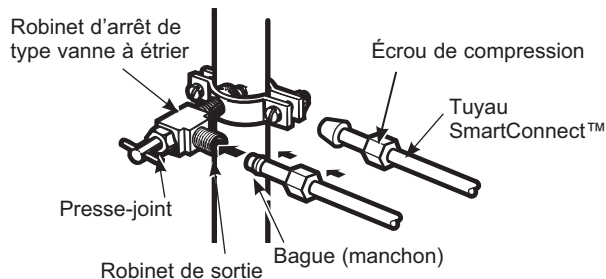
Faites passer le tuyau par un trou percé dans le mur ou le plancher (derrière le réfrigérateur ou au niveau du placard adjacent) aussi près du mur que possible.

### 7 BRANCHEMENT DU TUYAU AU ROBINET

Placez un écrou de compression et une bague (manchon) à l'extrémité du tuyau et branchez-les au robinet d'arrêt.

Assurez-vous que le tuyau soit bien inséré dans le robinet. Serrez bien l'écrou de compression.

Pour le tuyau en matière plastique d'une trousse SmartConnect™ Refrigerator Tubing, insérez l'extrémité moulée du tuyau dans le robinet d'arrêt et serrez l'écrou de compression à la main, puis serrez d'un tour supplémentaire avec une clé. Des fuites peuvent survenir si l'écrou est trop serré.



**REMARQUE :** L'installation sera conforme aux codes de plomberie 248CMR du Commonwealth du Massachusetts. L'utilisation de robinets-vannes à étrier sont interdites au Massachusetts. Demandez l'avis de votre plombier qualifié.

### 8 PURGE DU TUYAU

Ouvrez le robinet d'alimentation principale d'eau et purgez le tuyau jusqu'à ce que l'eau soit claire.

Fermez l'eau au niveau du robinet d'eau après écoulement d'environ 1 litre (1 quart) d'eau par le tuyau ou au bout de 2 minutes.



Pour terminer l'installation du réfrigérateur, retournez à l'étape 9 de la section Installation du réfrigérateur.

# Conditions normales de fonctionnement

Les réfrigérateurs plus récents font des bruits différents de ceux des anciens.

Les réfrigérateurs modernes proposent plus de fonctions et sont plus avancés sur le plan technologique.

## Entendez-vous ce que j'entends ? Ces conditions sont normales.

**HUMMM...**

**WHOOSH...**

- Le nouveau compresseur à rendement élevé peut fonctionner plus longtemps et plus vite que votre ancien réfrigérateur et vous pouvez entendre un son modulé ou un ronflement aigu pendant son fonctionnement.
- Vous entendrez peut-être un sifflement lorsque les portes se ferment.
- Ceci est dû à l'équilibrage de la pression dans le réfrigérateur. Après distribution de glace, un moteur ferme la goulotte de glace pour empêcher l'air tiède ambiant d'entrer dans le seau à glace, permettant ainsi de maintenir la glace à une température en dessous de zéro.

Le ronronnement du moteur fermant la goulotte de glaçons est normal, quelques instants après la distribution de glace.



- Vous pouvez entendre les ventilateurs tourner à hautes vitesses. Cela se produit lorsque le réfrigérateur vient d'être branché, lorsque les portes sont ouvertes fréquemment ou lors de l'ajout d'une grande quantité d'aliments dans le réfrigérateur ou le congélateur. Les ventilateurs permettent de maintenir les bonnes températures.
- La vitesse des ventilateurs varie pour fournir un refroidissement et une économie d'énergie optimum.

## CLICS, CRAQUEMENTS ET CLAQUEMENTS

- Vous entendrez peut-être des craquements ou des bruits secs lorsque le réfrigérateur vient d'être branché. Ceci se produit lorsque le réfrigérateur se refroidit pour atteindre la bonne température.
- L'expansion et la contraction des serpentins de refroidissement pendant et après le dégivrage peuvent provoquer des craquements ou des claquements.
- Sur les modèles équipés d'une machine à glaçons, après un cycle de fabrication de glaçons, vous entendrez les glaçons tomber dans le seau à glace.
- Sur les modèles équipés d'un distributeur, au cours de la distribution d'eau, vous entendrez peut-être le déplacement des tuyaux d'eau au début de la distribution et après avoir relâché le bouton du distributeur.

## BRUITS D'EAU



- La circulation du liquide frigorigène dans le système provoque parfois des gargouillements comme de l'eau en ébullition.
- L'eau qui tombe sur le chauffage de dégivrage peut parfois provoquer des crépitements, des bourdonnements pendant le cycle de dégivrage.
- Vous entendrez peut-être des bruits de ruissellement pendant le cycle de dégivrage quand la glace sur l'évaporateur fond et coule dans le bac collecteur.
- La fermeture de la porte peut provoquer un gargouillement dû à l'équilibrage de la pression.

## REFROIDISSEMENT AU DÉMARRAGE

Le réfrigérateur peut mettre jusqu'à 24 heures pour atteindre la température de consigne. Pendant ce temps, il faut limiter les ouvertures des portes de réfrigérateur et de congélateur.

## Conseils de dépannage... Avant de planifier une visite de service

Économisez temps et argent! Examinez d'abord les tableaux des pages suivantes, vous pourriez éviter une visite de service.

Problème	Causes Possibles	Solution
A l'écran LCD, le filtre à eau est indiqué comme incorrectement installé ou une fuite est signalée.	Le filtre à eau installé à l'envers ou fuit.	Vérifiez qu'il n'y a pas de fuite. Si aucune fuite n'est détectée, retirez le filtre/le bouchon de dérivation, retournez le filtre (rotation à 180°) et réinstallez le.
La lumière indicatrice du filtre à eau demeure allumée après que le filtre ait été remplacé.	La minuterie du filtre n'a pas réinitialisée ou le filtre est installé par l'arrière. Sur certains modèles, le remplacement de votre filtre à eau n'aura pas pour effet de le réinitialiser automatiquement.	<b>Modèles à distribution intérieure :</b> - Maintenez une pression sur le bouton de réinitialisation durant 3 secondes. <b>Modèles à distribution extérieure :</b> - Retirez le filtre, tournez-le de 180 degrés et réinstallez-le. Pour réinitialiser le filtre sur certains modèles, entrez dans le menu Settings, choisissez le menu Water Filter et appuyez sur le bouton RESET.
La poignée est lâche/Il y a un espace vide au niveau de la poignée.	La poignée doit être ajustée.	Consultez les sections <i>Fixation de la Poignée du Compartiment de Réfrigération</i> et <i>Fixation de la Poignée du Congélateur</i> pour des instructions détaillées.
Le réfrigérateur bipé	Il s'agit de l'alarme de la porte	Arrêtez-la ou désactivez-la avec la porte fermée. Si la porte est ouverte et l'alarme retentit, vous ne pouvez qu'arrêter l'alarme.
Pas de refroidissement	Le système de refroidissement est éteint	Consultez la section A propos des commandes
L'eau a un mauvais goût ou une mauvaise odeur	Le distributeur d'eau n'a pas été utilisé pendant une longue période.	Tirez de l'eau jusqu'à ce que toute l'eau du système soit remplacée.
L'eau dans le verre est tiède	Ceci est normal lorsque le réfrigérateur vient d'être branché	Attendez 24 heures pour que le réfrigérateur refroidisse complètement
	Le distributeur d'eau n'a pas été utilisé pendant une longue période	Tirez de l'eau jusqu'à ce que toute l'eau du système soit remplacée.
	Le système d'eau a été vidangé	Attendez quelques heures pour que l'eau se refroidisse.
Le distributeur d'eau ne fonctionne pas	Le robinet d'eau est fermé ou n'est pas branché.	Consultez la section <i>Installation de la conduite d'eau</i>
	Le filtre à eau est bouché ou le filtre/le bouchon de dérivation n'est pas installé	Remplacez la cartouche de filtre ou retirez le filtre et installez le bouchon de dérivation*.
	De l'air peut être piégé dans le système d'eau.	Appuyez sur le bras de distribution pendant au moins 5 minutes.
	L'eau dans le réservoir est gelée parce que les commandes sont réglées sur une température trop froide.	Réglez la commande du réfrigérateur sur une température plus élevée et attendez 24 heures. S'il est impossible de distribuer l'eau après 24 heures, planifiez une visite de service en ligne sur <a href="http://cafeappliances.com/service">cafeappliances.com/service</a> .
L'eau jaillit du distributeur	La cartouche du filtre vient d'être installée	Faites couler l'eau du distributeur pendant 5 minutes (environ 2 gallons ou 7,5 litres).
L'eau jaillit du distributeur	L'air est peut être présent dans le système d'alimentation en eau, amenant l'eau à goutter après distribution	Distribuez de l'eau pendant au moins 5 minutes pour éliminer l'air du système
Pas de production d'eau ou de glaçons	La ligne d'alimentation ou le robinet d'arrêt est bouché	Appelez un plombier
	Le filtre à eau est bouché	Remplacez la cartouche de filtre ou retirez le filtre et installez le bouchon de dérivation*.
	La cartouche du filtre n'est pas correctement installée	Retirez et réinstallez la cartouche de filtre, en étant certain qu'elle est bien verrouillée
	La machine à glaçons est éteinte	Vérifier que la machine à glaçons est en marche Consultez la section <i>À propos de la machine à glaçons automatique</i>
PRECISE FILL (Remplissage précis) ne remplit pas le conteneur *	C'est normal. <b>PRECISE FILL</b> (Remplissage précis) nécessite l'utilisation d'un bras de distribution	Pour une quantité spécifique d'eau, sélectionnez <b>PRECISE FILL</b> (Remplissage précis) pour distribuer de l'eau
Photos non trouvées	Les photos ne sont pas dans le répertoire racine de l'USB	Assurez-vous que les photos sont dans le répertoire racine de votre clé USB
	Les photos ne sont pas au format JPEG	Les photos doivent être au format JPEG
	L'appareil photo/l'ordinateur est utilisé avec le cordon USB	Vous devez utiliser une clé USB
Le congélateur refroidit mais pas le compartiment de réfrigération	Ceci est normal lorsque le réfrigérateur vient d'être branché ou après une panne d'électricité d'une longue durée.	Attendez 24 heures pour que la température dans les deux compartiments atteigne les températures sélectionnées.

\*Certains modèles ne sont pas équipés d'un bouchon de dérivation de filtre. Pour obtenir un bouchon de dérivation gratuitement, visitez-nous en ligne sur [cafeappliances.ca/parts](http://cafeappliances.ca/parts).

# Conseils de dépannage... Avant de planifier une visite de service

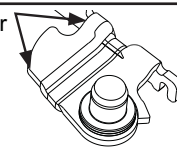
Problème	Causes Possibles	Solution
Le distributeur de glace s'ouvre après la fermeture du tiroir du congélateur*	Normal	La porte du distributeur de glace peut s'ouvrir après la fermeture de la porte du congélateur pour permettre l'accès
L'eau chaude ne fonctionne pas	Le fonctionnement est désactivé	Assurez-vous que « Eau chaude Désactivée » n'est pas sélectionné
	La pression d'eau est basse	Assurez-vous que le tuyau d'eau n'est pas plié
	Le robinet d'eau est fermé ou n'est pas branché.	Consultez la section <i>Installation de la conduite d'eau</i>
	Le filtre à eau est bouché ou le filtre/le bouchon de dérivation n'est pas installé	Remplacez la cartouche de filtre ou retirez le filtre et installez le bouchon de dérivation*.
L'eau chaude continue de passer pendant une courte période après avoir relâché la poignée	Le filtre à eau est partiellement bouché ou la pression d'eau est faible (<40 psi)	Remplacez la cartouche de filtre ou retirez le filtre et installez le bouchon de dérivation* ou encore augmentez la pression d'eau.
Difficile d'ouvrir la porte du bac à glaçons.	Le joint d'étanchéité du bac à glaçons peut adhérer à la porte principale si celle-ci demeure fermée pendant une longue période.	Déverrouillez la porte, attendez 3 minutes puis ouvrez la porte du bac à glaçons.
La porte du compartiment réfrigérateur ne ferme pas complètement.	Le joint d'étanchéité de la porte du compartiment réfrigérateur peut être délogé de sorte qu'il gêne le fonctionnement de la cloison articulée.	Remplacez le joint dans la rainure sur toute sa longueur.
Faible débit d'infusion.	Une bosse dans le bas de la dosette K-Cup peut faire en sorte que l'aiguille perce le filtre, causant ainsi l'obstruction de l'aiguille inférieure par les marcs de Café.	Évitez d'utiliser des dosettes K-Cups endommagées ou bosselées et nettoyez l'aiguille inférieure avant la prochaine infusion.
Faible débit d'infusion ou de l'eau dégoutte de la porte intérieure.	L'aiguille supérieure de l'infuseur est obstruée.	Débloquez les trous de l'aiguille supérieure à l'aide d'un trombone. Rincez l'infuseur après chaque utilisation.
L'infuseur est bloqué dans le support de porte.	L'infuseur est en mode de distribution d'eau chaude plutôt qu'en mode d'infusion alors que le module d'infusion est installé.	Annulez le mode de distribution d'eau chaude afin que le tube d'eau chaude se retire du module d'infusion.
L'infuseur n'est pas détecté dans le menu de l'écran ou de l'eau chaude fuit depuis le haut de l'infuseur.	Assemblage incorrect de l'infuseur dans le support de porte.	Assurez-vous que le logo Keurig se trouve sur le devant. Poussez l'infuseur à fond dans le support.
La distribution du Café occasionne des éclaboussures ou des éclatements de bulles.	Orifice d'évent obstrué dans l'infuseur.	Assurez-vous que l'orifice d'évent dans le bas de l'infuseur est exempt d'aliments ou de toute autre contamination.
La qualité du breuvage ne répond pas aux attentes.	Il se peut que vous utilisiez des dosettes non standard ou des dosettes K-Cups périmées.	Il est recommandé d'utiliser des dosettes Keurig K-cups autorisées qui ne sont ni périmées ni endommagées.
Du liquide dégoutte de l'infuseur après la fin d'un cycle et le retrait de l'infuseur de son support.	Il est possible que du liquide demeure dans l'infuseur et dégoutte lors du retrait de ce dernier.	Utilisez un chiffon ou un récipient pour recueillir les gouttes lors du retrait de l'infuseur.
Délai lors de l'utilisation du distributeur Keurig K-cup Pod.	Pour garantir un breuvage de qualité, un bref délai est nécessaire afin que le réfrigérateur fonctionne correctement.	Le réfrigérateur doit différer la distribution pendant une brève période de temps pour garantir un fonctionnement de qualité constant.
Après l'infusion, de la poudre résiduelle de mon breuvage est visible dans la dosette utilisée.	Selon la quantité sélectionnée, il se peut que la dissolution de la poudre soit incomplète. Certains breuvages à base de poudre peuvent s'agglutiner en amas lorsqu'ils sont laissés en place pendant un certain temps.	Secouez les dosettes à base de poudre avant l'infusion afin de défaire les amas et ainsi permettre une meilleure dissolution. Pour les breuvages à base de poudre sans filtre, sélectionnez le cycle Cocoa (Cacao).
Le couvercle de l'infuseur est difficile à fermer.	La dosette K-cup n'est pas rentrée à fond.	Pressez la dosette K-cup à fond dans l'infuseur avant de fermer le couvercle. L'aiguille inférieure doit percer la dosette K-cup avant la fermeture du couvercle.
L'infuseur fuit durant le cycle d'infusion.	Difficulté de fermer le couvercle de l'infuseur ou dosette K-Cup endommagée.	Pressez la dosette K-Cup à fond dans l'infuseur avant de fermer le couvercle. L'aiguille inférieure doit percer la dosette K-cup avant la fermeture du couvercle. Il est recommandé d'utiliser des dosettes Keurig K-Cups en bon état et dont le cachet supérieur est bien scellé sur la partie inférieure en plastique.

\*Certains modèles ne sont pas équipés d'un bouchon de dérivation de filtre. Pour obtenir un bouchon de dérivation gratuitement, visitez-nous en ligne sur [cafeappliances.ca/parts](http://cafeappliances.ca/parts).



## Conseils de dépannage... Avant de planifier une visite de service

Problème	Causes Possibles	Solution
La porte de mon réfrigérateur grince	Diminution de lubrifiant causée par son nettoyage accidentel sur la charnière.	<p>Il est préférable de commander le lubrifiant GEA, numéro de pièce WR97X166, et de l'appliquer sur la charnière à l'endroit indiqué. Il est possible de vaporiser certains lubrifiants non toxiques tels que l'enduit à cuisson antiadhésif à base de silicone, la gelée de pétrole ou un lubrifiant alimentaire approuvé NSF.</p> <p><b>IMPORTANT</b> : N'utilisez pas le WD-40 car il éliminera toute graisse résiduelle dans et autour de la charnière.</p>
	Nivellement incorrect	Assurez-vous que l'appareil est de niveau.
	Si les portes ont été enlevées et remontées lors de l'installation, le tuyau d'eau et le faisceau de fils sous le couvercle de charnière supérieure peuvent s'être déplacés et frotter contre la porte lorsqu'elle pivote.	<p>Retirez le couvercle de charnière supérieure et assurez-vous que le tuyau d'eau et le faisceau de fils qui passent à travers l'axe de charnière ont été correctement placés et qu'ils ne touchent aucune pièce de porte pendant la rotation.</p> <p>L'application d'un lubrifiant de qualité alimentaire autour du manchon de porte peut aussi aider.</p>



## ENTRETIEN

Avant de planifier une visite de service, parcourez les conseils de dépannage donnés dans ce manuel. Si nécessaire, une visite par un technicien de service peut être prévue en nous contactant en ligne sur [cafeappliances.ca/service](http://cafeappliances.ca/service).

## Mythe ou réalité

Mythe ou réalité ?	Réponse	Explication
Le filtre à eau du réfrigérateur peut nécessiter un remplacement même si l'indicateur de filtre n'a pas viré au rouge ou indique Filtre Épuisé.	VRAI	Le voyant du filtre à eau indiquera la nécessité de remplacer le filtre tous les six mois, ou suite à la distribution de 644 litres (170 gallons) d'eau (certains modèles seulement). Si le débit d'eau du distributeur ralentit ou si la production de glace diminue, le filtre à eau doit être remplacé, même si l'indicateur de filtre peut ne pas indiquer la nécessité d'un remplacement.
La machine à glaçons automatique dans mon réfrigérateur produira de la glace lorsque le réfrigérateur est branché à une prise secteur.	MYTHE	Le réfrigérateur doit être raccordé à une alimentation en eau et la machine à glaçons doit être allumée. Assurez-vous que la machine à glaçons est en marche, mais seulement après avoir raccordé le système à l'alimentation en eau et que celle-ci est ouverte. La machine à glaçons peut être allumée ou éteinte à partir des commandes. Veillez à ce que la machine à glaçons soit en marche, comme indiqué sur le panneau de commande du réfrigérateur. Consultez la section <i>Machine à glaçons automatique</i> .
Une fois que le réfrigérateur est branché à une prise électrique et raccordé à une alimentation en eau, j'aurai immédiatement des quantités illimitées d'eau glacée disponibles au distributeur d'eau.	MYTHE	Le bac du distributeur d'eau situé à l'intérieur du réfrigérateur sert à stocker l'eau à distribuer. 24 heures sont nécessaires pour que l'eau de ce réservoir soit refroidie après l'installation. Une utilisation trop importante ne permet pas à l'eau de se refroidir.
Après distribution d'une quantité d'eau, la présence de quelques gouttes d'eau est normale.	VRAI	Quelques gouttes d'eau peuvent tomber du distributeur après que le bras de distribution ait été relâché. Pour minimiser les pertes, retirez lentement votre verre du distributeur.
Il n'y aura jamais de givre dans le compartiment de congélation.	MYTHE	La présence de givre dans le congélateur indique généralement que la porte n'est pas bien fermée ou a été laissée ouverte. En cas de givre, éliminez le l'aide d'une spatule en plastique et d'un torchon. Puis vérifiez qu'aucun aliment ou conteneur empêche la fermeture de la porte du congélateur. Vérifiez sur le panneau de contrôle du réfrigérateur si l'alarme de la porte est activée. Pour les modèles sans distributeur, jetez le premier bac de production de glaçons après le remplacement du filtre.
Après installation du réfrigérateur ou après le remplacement de la cartouche filtrante, je dois tirer de l'eau pendant cinq minutes.	VRAI	Un réfrigérateur ou un filtre à eau nouvellement installé contient de l'air dans les tuyaux d'eau. Appuyez sur le bras du distributeur pour tirer de l'eau froide pendant au moins 5 minutes pour éliminer l'air du tuyau d'alimentation en eau et rincer le filtre.

## Mythe ou réalité

### ENTRETIEN

Avant de planifier une visite de service, parcourez les conseils de dépannage donnés dans ce manuel. Si nécessaire, une visite par un technicien de service peut être prévue en nous contactant en ligne sur [cafeappliances.ca/service](http://cafeappliances.ca/service).

### Mythe ou réalité

Mythe ou réalité ?	Réponse	Explication
Pour remplir le seau à glace jusqu'à sa capacité maximale, je dois distribuer des glaçons environ 12 à 18 heures après l'installation.	VRAI	La distribution de 3 ou 4 glaçons, entre 12 heures et 18 heures après l'installation, permet à la glace de se disperser dans le seau à glace. Celui-ci indique à la machine à glaçons de produire des glaçons supplémentaires. Production normale de glaçons = 100 glaçons en 24 heures.
Je peux utiliser le bouchon de dérivation du filtre à eau pour déterminer si le filtre doit être remplacé.	VRAI	La réduction de débit du distributeur d'eau ou de la production de glace peut indiquer la nécessité de remplacer le filtre à eau. Installez le bouchon de dérivation du filtre à eau (fourni avec le réfrigérateur sur certains modèles*), et vérifiez le débit au niveau du distributeur. Si le débit d'eau revient à la normale avec le bouchon de dérivation en place, remplacez le filtre à eau.
La partie supérieure de la porte du réfrigérateur sera toujours alignée.	MYTHE	Plusieurs facteurs peuvent affecter l'alignement des portes du compartiment de réfrigération, y compris le sol sur lequel le réfrigérateur est installé et la quantité d'aliment (charge) dans les portes. Si les parties supérieures des portes du compartiment de réfrigération ne sont pas alignées, utilisez une clé Allen de 6,3 mm (1/4 po) pour ajuster les portes gauche et droite. La vis de réglage se trouve sur le côté inférieur gauche ou droit de la porte. Ouvrez la porte du congélateur pour accéder à cette vis.
Les poignées de porte du réfrigérateur peuvent être facilement resserrées.	VRAI	Si les poignées de porte sont lâches ou s'il y a un espace vide au niveau de la poignée, celle-ci peut être ajustée à l'aide d'une clé Allen d' 1/8 po sur les vis de réglage situées sur les extrémités des poignées.
Il peut y avoir des problèmes d'odeur et de goût avec votre glace.	VRAI	Après la mise en marche de la machine à glaçons ou le remplacement du filtre, jetez le premier bac de production de glaçons pour éviter les problèmes d'odeur et de goût.
Je peux effectuer des réglages précis des portes du compartiment de réfrigération pour les aligner.	VRAI	Si les portes du compartiment de réfrigération ne sont pas alignées, utilisez une clé Allen d' 1/4 po pour ajuster la porte de droite. La vis de réglage est située au bas de les portes gauche et droite. Ouvrez la porte du congélateur pour y accéder.
Les portes doivent toujours être retirées pour l'installation.	MYTHE	Consultez le tableau au verso de ces instructions. Les portes doivent uniquement être enlevées lorsque cela est nécessaire pour prévenir les dommages provoqués par des ouvertures trop étroites ou pour accéder à l'emplacement final.
Les portes du réfrigérateur qui ne ferment pas après l'installation peuvent être ajustées pour qu'elles ferment correctement.	VRAI sur certains modèles	Le mécanisme de la porte fonctionne mieux si celle-ci est installée à 90°+. Si elle est installée à 180°, retirez la porte à partir de la charnière centrale puis ouvrez la porte à 180° avant de la réinstaller. Consultez la section <i>Réinstallation des portes du réfrigérateur</i>
Les portes du réfrigérateur vont se fermer d'elles-mêmes si elles sont laissées ouvertes.	VRAI sur certains modèles	Les portes du réfrigérateur doivent être fermées par l'utilisateur. Certains modèles sont dotés d'une fonction procurant un léger rebond qui génère une réaction positive de l'utilisateur afin qu'il puisse compléter la fermeture de la porte.
Les roues arrière peuvent être ajustées.	MYTHE	Lorsque vous purgez l'air du système, vérifiez l'absence de fuites au niveau de toutes les connexions. Vérifiez la connexion à l'alimentation en eau du domicile à l'arrière du réfrigérateur ainsi que la connexion de ce tuyau au niveau de la porte.
Vérifiez l'absence de fuites d'eau après avoir effectué tous les raccordements.	VRAI	Si le réfrigérateur a été stocké dans un environnement froid, il est possible que l'écran LCD mette un certain temps avant de donner un affichage correct. Laissez assez de temps pour que le réfrigérateur atteigne une température normale, l'affichage devrait alors être correct.
Mon écran LCD sera toujours allumé lorsque je branche le cordon d'alimentation lors de l'installation.	MYTHE	Si le réfrigérateur a été stocké dans un environnement froid, il est possible que l'écran LCD mette un certain temps avant de donner un affichage correct. Laissez assez de temps pour que le réfrigérateur atteigne une température normale, l'affichage devrait alors être correct.
Tout résidu d'emballage peut être nettoyé à l'aide de n'importe quel détergent.	MYTHE	N'utilisez pas de cire, de javellisants ou de tout autre produit contenant du chlore sur les panneaux, les poignées de porte et les garnitures en acier inoxydable. Vérifiez ces instructions dans la section Nettoyage de l'extérieur du réfrigérateur pour plus de détails.

\*Certains modèles ne sont pas équipés d'un bouchon de dérivation de filtre. Pour obtenir un bouchon de dérivation gratuitement, visitez-nous en ligne sur [cafeappliances.ca/parts](http://cafeappliances.ca/parts).

# Garantie limitée du réfrigérateur Café

cafeappliances.ca

Toutes les réparations en vertu de la garantie sont fournies par nos Centre de Service d'Usine ou par un technicien en réparation autorisé. Pour prévoir une réparation, consultez notre site [cafeappliances.ca/service](http://cafeappliances.ca/service). Veuillez avoir votre numéro de série et votre numéro de modèle à portée de main lorsque vous appelez pour obtenir un service.

Pour le diagnostic, la réparation de votre réfrigérateur peut nécessiter l'utilisation du port de données embarqué. Celui-ci permet au technicien de réparation Café de diagnostiquer rapidement des problèmes avec votre appareil. Il permet également à Café d'améliorer ses produits en fournissant à ces derniers des informations sur votre appareil. Si vous ne voulez pas que les données de votre appareil soient envoyées à Café, veuillez demander à votre technicien de NE PAS soumettre les données à Café pendant la réparation.

Pendant la période de garantie de :	CAFÉ remplacera :
<b>Un An</b> A compter de la date d'achat initial	<b>Toute pièce</b> du réfrigérateur qui s'avère défectueuse en raison d'un défaut de matériau ou de fabrication. Pendant la validité de la <b>présente garantie limitée</b> d'un an, CAFÉ fournira également gratuitement la main d'œuvre et le service pour réparer la pièce défectueuse.
<b>Trente jours</b> (filtre à eau, si inclus) A compter de la date d'achat initial	<b>Toute pièce</b> de la cartouche filtrante qui ne fonctionne pas à cause d'un vice de matériau ou de main d'œuvre. Pendant la validité de la <b>présente garantie limitée de 30 jours</b> , Café fournira gratuitement une cartouche filtrante de remplacement.
<b>Cinq Ans</b> A compter de la date d'achat	<b>Toute pièce</b> du système fermé du réfrigérateur (compresseur, condenseur, évaporateur et tous les tuyaux de raccordement) qui s'avère défectueuse en raison d'un défaut de matériau ou de fabrication. Pendant la validité de la <b>présente garantie limitée de cinq ans</b> , Café fournira également gratuitement la main d'œuvre et le service pour réparer la pièce défectueuse dans le système fermé du réfrigérateur.

## Ce qui n'est pas couvert par CAFÉ :

- Les déplacements à votre domicile pour vous expliquer l'utilisation de ce produit
- Une installation, livraison ou maintenance défectueuse.
- Une panne du produit par abus d'utilisation, par mauvaise utilisation, par modification ou s'il a été utilisé dans un but autre que celui pour lequel il a été fabriqué.
- Détérioration des aliments.
- Le remplacement des fusibles ou le réenclenchement du disjoncteur du domicile.
- Les dommages à la finition, tels que rouille de surface, ternissement ou petites taches, non signalés dans un délai de 48 heures suivant la livraison.
- Le remplacement de la cartouche filtrante, si incluse, à cause d'une pression d'eau en dehors de la gamme de fonctionnement recommandée ou à cause d'une concentration excessive de sédiments dans l'eau d'alimentation.
- Le remplacement des ampoules, si incluses, ou la cartouche filtrante, si incluse, et dans des conditions autres que celles susmentionnées.
- Tout dommage causé par accident, incendie, inondation ou une catastrophe naturelle.
- Tout dommage fortuit ou indirect causé par des défauts éventuels de cet appareil.
- Le service s'il est impossible d'avoir accès au produit.
- Dommages causés par l'utilisation d'un filtre qui n'est pas de marque GE Appliances.

## EXCLUSION DES GARANTIES TACITES

Votre recours exclusif est l'échange du produit suivant les modalités de la Garantie Limitée. Toutes garanties tacites, y compris les garanties de valeurs marchandes ou d'adéquation à des fins particulières, sont limitées à une durée d'un an ou à la durée la plus courte autorisée par la loi.

**Pour les clients des États-Unis :** Cette garantie limitée est offerte à l'acheteur initial et à tout propriétaire successif de produits à usage domestique à l'intérieur des États-Unis. Si le produit est installé dans une région où ne se trouve aucun réparateur autorisé Café, vous devrez peut-être assumer les frais de transport ou apporter l'appareil à un centre de service autorisé Café. En Alaska, la garantie limitée exclut les frais d'expédition ou de service à votre domicile.

Certains états n'acceptent pas d'exclusion ou de limites aux dommages indirects consécutifs. Cette garantie vous accorde des droits particuliers et il peut exister d'autres droits qui varient selon l'État ou la province. Pour connaître vos droits juridiques, veuillez consulter le bureau local ou le bureau d'état des affaires aux consommateurs ou le Procureur Général de votre état.

**Garant : États-Unis : GE Appliances, a Haier company**  
Louisville, KY 40225

Cette garantie est étendue à l'acheteur d'origine et aux propriétaires suivants pour tout produit acheté aux Canada pour une utilisation domestique aux Canada. Le service à domicile en vertu de la garantie sera fourni dans les régions où il est disponible et où Mabe estime raisonnable de le fournir.

**Garant Canada: MC Commercial, Inc., Burlington, Ontario, L7R 5B6**

**GARANTIE LIMITÉE**

Pour bénéficier du service de réparation sous garantie, une preuve de la date d'achat initial est nécessaire.

# Garantie limitée de la cartouche filtrante d'eau

Contactez-nous au [cafeappliances.ca](http://cafeappliances.ca)

<b>Pendant une période de :</b>	<b>GE Appliances remplacera :</b>
<b>Trente jours</b> À partir de la date d'achat d'origine	<b>Toute pièce défectueuse</b> de la cartouche filtrante en raison d'un vice de matière ou de fabrication durant cette <b>garantie limitée de trente jours.*</b>

## Ce que la garantie ne couvre pas :

- Déplacement d'un technicien au domicile pour des explications sur le produit.
- Installation incorrecte.
- La défectuosité du produit s'il a été utilisé abusivement, a été mal utilisé ou utilisé à d'autres fins que celle prévues ou à des fins commerciales.
- Le remplacement des fusibles ou le réenclenchement du disjoncteur du domicile.
- Le remplacement de la cartouche filtrante à cause d'une pression d'eau en dehors de la gamme de fonctionnement recommandée ou à cause d'une concentration excessive de sédiments dans l'eau d'alimentation.
- Détérioration du produit imputable à : accident, incendie, inondation ou catastrophe naturelle.
- Dommages accessoires ou indirects résultant de possibles défectuosités de cet appareil.

## EXCLUSION DES GARANTIES IMPLICITES

Votre seul et unique recours consiste dans le remplacement de la pièce telle que décrite dans cette Garantie limitée. Toute garantie implicite, y compris les garanties relatives à la qualité marchande ou à l'adéquation à un usage particulier, est limitée à six mois ou à la période la plus courte autorisée par la loi.

Cette garantie est destinée à l'acheteur d'origine et à tout propriétaire subséquent pour les produits acquis à des fins d'utilisation domestique à l'intérieur des États-Unis. En Alaska, la garantie exclut les frais de livraison et les appels de service depuis votre domicile.

Certains États n'autorisent pas l'exclusion ou la limitation des dommages accessoires ou indirects. Certains droits particuliers vous sont dévolus en vertu de la présente garantie et peuvent s'accompagner d'autres droits qui varient d'un État à l'autre. Pour connaître vos droits, consultez l'autorité locale ou de l'État en matière de droits des consommateurs, ou encore le Procureur général de votre État.

**Achats effectués en Iowa :** Ce formulaire doit être signé et daté par l'acheteur et le vendeur avant la consommation du produit.

Ce formulaire doit être conservé dans les dossiers du vendeur pendant un minimum de deux ans.

### Acheteur :

Nom \_\_\_\_\_  
Adresse \_\_\_\_\_  
Ville \_\_\_\_\_ État \_\_\_\_\_ Code postal \_\_\_\_\_  
Signature \_\_\_\_\_ Date \_\_\_\_\_

### Vendeur :

Nom \_\_\_\_\_  
Adresse \_\_\_\_\_  
Ville \_\_\_\_\_ État \_\_\_\_\_ Code postal \_\_\_\_\_  
Signature \_\_\_\_\_ Date \_\_\_\_\_

\*Si votre pièce GE Appliances s'avère défectueuse en raison d'un vice de fabrication durant la période de trente jours suivant la date d'achat d'origine, nous vous offrirons, à notre discrétion et sans frais, une pièce neuve ou reconstruite. Retournez la pièce défectueuse au fournisseur où s'est effectué l'achat accompagnée d'une copie de la preuve d'achat de la pièce. Si la pièce s'avère défectueuse et qu'elle ne présente aucun signe d'usage abusif, elle sera remplacée. La garantie ne couvre pas la défectuosité de pièces qui ont été endommagées alors qu'elles étaient en votre possession, dont l'usage a été abusif, ou dont l'installation est incorrecte. Elle ne couvre pas les frais de retour de la pièce au fournisseur où l'achat a eu lieu, ni les coûts de main-d'œuvre pour la retirer ou l'installer afin de diagnostiquer la défectuosité. Elle ne couvre pas les pièces dont l'usure découle d'une utilisation commerciale, à l'exception des équipements de climatisation. En aucune circonstance GE Appliances ne sera tenue responsable des dommages indirects.

**Débiteur de la garantie : GE Appliances, a Haier company**  
**Louisville, KY 40225**

Brochez votre reçu ici. La preuve d'achat d'origine est obligatoire pour obtenir le service en vertu de la garantie.

# Fiche technique de performance Modèle: Cartouche RPWFE

- Système certifié par l'IAPMO R&T en vertu des normes 42, 53, 401, et P473 de la NSF/ANSI relatives à la réduction des allégations spécifiées sur la fiche technique de rendement et le site [iapmort.org](http://iapmort.org).
- Le rendement réel peut varier selon les conditions locales de l'eau.

Substance analysée pour la réduction	Concentration d'essai de l'influent (ng/L)	Concentration max. admissible dans l'eau du produit (ng/L)	Réduction moy. (%)
Goût et odeur de chlore	2.0 ng/L +/- 10%	N/A	> 99
Goût et odeur chloramine	3.0 ng/L +/- 10%	0.5	> 99
Particules, Classe I	Au moins 10 000 particules/mL	N/A	91.4
Kystes*	50,000/L	N/A	> 99,99
Plomb	0.15	0.01	98.85
Mercure	0.006	0.002	96.95
Amiante	107 to 108 fibers/ L	N/A	> 99
Toxaphène	0.015 ng/L +/- 10%	0.003	86.95
SCC (substitut de chloroforme C)	0.300	0.015	> 99
Alachlore	0.050	0.001	> 98
Atrazine	0.100	0.003	> 97
Benzène	0.081	0.001	> 99
Carbofuran	0.190	0.001	> 99
tétrachlorure de carbone	0.078	0.0018	98
chlorobenzène	0.077	0.001	> 99
chloropicrine	0.015	0.0002	99
2,4-D	0.110	0.0017	98
dibromochloropropane (DBCP)	0.052	0.00002	> 99
o-Dichlorobenzène	0.08	0.001	> 99
p-Dichlorobenzène	0.040	0.001	> 98
1,2-dichloroéthane	0.088	0.0048	95
1,1-dichloroéthylène	0.083	0.001	> 99
cis-1,2-dichloroéthylène	0.170	0.0005	> 99
trans-1,2-dichloroéthylène	0.086	0.001	> 99
1,2-dichloropropane	0.080	0.001	> 99
cis-1,3-dichloropropylène	0.079	0.001	> 99
dinosébe	0.170	0.0002	99
Endrine	0.053	0.00059	99
Éthylbenzène	0.088	0.001	> 99
éthylène dibromide (EDB)	0.044	0.00002	> 99
bromochloroacétonitrile	0.022	0.0005	98
dibromoacétonitrile	0.024	0.0006	98
dichloroacétonitrile	0.0096	0.0002	98
trichloroacétonitrile	0.015	0.0003	98
1,1-dichloro-2-propanone	0.0072	0.0001	99
1,1,1-trichloro-2-propanone	0.0082	0.0003	96
heptachlore (H-34, Heptox)	0.025	0.00001	> 99
heptachlorépoxyde	0.0107	0.0002	98
hexachlorobutadiène	0.044	0.001	> 98
hexachlorocyclopentadiène	0.060	0.000002	> 99
Lindane	0.055	0.00001	> 99
méthoxychlore	0.050	0.0001	> 99
pentachlorophénole	0.096	0.001	> 99
simazine	0.120	0.004	> 97
Styrène	0.150	0.0005	> 99
1,1,2,2-tétrachloroéthane	0.081	0.001	> 99
Tétrachloréthylène	0.081	0.001	> 99
Toluène	0.078	0.001	> 99
2,4,5-TP (silvex)	0.270	0.0016	99
Acide tribromoacétique	0.042	0.001	> 98
1,2,4-Trichlorobenzène	0.160	0.0005	> 99
1,1,1-trichloroéthane	0.084	0.0046	95
1,1,2-trichloroéthane	0.150	0.0005	> 99
trichloroéthylène	0.180	0.0010	> 99
bromoforme	0.300	0.015	95
bromodichlorométhane	0.300	0.015	95
chlorodibromométhane	0.300	0.015	95
xylènes	0.070	0.001	> 99
Méprobamate	400 +/- 20%	60	> 99
Aténolol	200 +/- 20%	30	> 99
Carbamazépine	1400 +/- 20%	200	> 99
diéthyltoluamide (DEET)	1400 +/- 20%	200	> 99
Métolachlore	1400 +/- 20%	200	> 99
Triméthoprim	140 +/- 20%	20	> 99
Linuron	140 +/- 20%	20	> 99
TCEP	5000 +/- 20%	700	> 99
TCP	5000 +/- 20%	700	> 99
Phénytoïne	200 +/- 20%	30	> 99
Ibuprofène	400 +/- 20%	60	> 99
Naproxène	140 +/- 20%	20	> 99
Estrone	140 +/- 20%	20	> 99
Bisphénol A	2000 +/- 20%	300	> 99
Nonylphénol	1400 +/- 20%	200	> 99
PFOA/PFOS	1.5 ng/L +/- 10%	0.07	99.25

## Directives et paramètres de l'alimentation en eau

Débit fourni	0.5 gpm (1.89 lpm)
Alimentation en eau	Eau potable
Pression d'eau	25-120 psi (172-827 kPa)
Température de l'eau	33°F-100°F (0.6°C-38°C)
Capacité	170 gallons (643.5 litres)

Il est impératif que les méthodes d'installation, d'entretien et de remplacement du filtre recommandées par le fabricant de ce produit soient respectées. Consultez le manuel d'installation pour connaître les renseignements de la garantie.

**REMARQUE :** Bien que les essais aient été effectués dans des conditions normales de laboratoire, la performance actuelle peut varier.

Cartouche de rechange : RPWFE. Pour connaître les coûts évalués des articles de rechange, veuillez appeler au 1.877.959.8688 ou visitez notre site internet au [cafeappliances.ca](http://cafeappliances.ca).

## ⚠ AVERTISSEMENT

Pour réduire le risqué associé à

l'ingestion de contaminants :

- **N'utilisez pas l'eau dont la salubrité microbiologique est inconnue ou dangereuse sans avoir effectué une désinfection des composants d'arrivée et de sortie du système.** Les systèmes certifiés pour la réduction de kystes peuvent être utilisés pour de l'eau désinfectée contenant des kystes filtrables.

## AVIS

Pour réduire le risque associé aux dommages matériels causés par des fuites d'eau :

- **Lisez et suivez** les instructions avant de procéder à l'installation et d'utiliser votre système.
- L'installation et l'utilisation **DOIVENT** être conformes à tous les codes locaux et nationaux de plomberie.
- **Ne procédez pas** à l'installation si la pression de l'eau dépasse 120 lb/po<sup>2</sup> (8,2 bars). Si votre pression d'eau dépasse 80 lb/po<sup>2</sup> (5.5 bar), il est nécessaire d'installer un système de limitation de pression. Communiquez avec un plombier professionnel si vous n'êtes pas sûr de la méthode de vérification de la pression d'eau.
- **N'installez pas** le système s'il y a des possibilités de coups de bélier. En cas de coup de bélier, vous **devez** installer un dispositif anticoup de bélier. Communiquez avec un plombier professionnel si n'êtes pas sûr de la méthode permettant de vérifier cette condition.
- **Ne raccordez pas** le système à des conduites d'alimentation d'eau chaude. La température de service maximale de ce système de filtre est de 38 °C (100 °F).
- **Protégez le filtre contre le gel.** Vidangez l'eau du filtre lorsque la température se situe sous 0,6 °C (33 °F).
- Remplacez la cartouche filtrante jetable tous les six mois, ou plus tôt si vous vous constatez une réduction appréciable du débit d'eau.
- L'omission de remplacer la cartouche filtrante jetable aux intervalles recommandés peut mener à une réduction du rendement du filtre et au fendillement du boîtier du filtre, entraînant ainsi des fuites ou l'inondation.
- Ce système a été mis à l'essai conformément aux normes 42, 53, 401 et P473 de la NSF/ANSI relatives à la réduction des substances énumérées ci-dessous. La concentration des substances mentionnées dans l'eau entrant dans le système a été réduite à une valeur inférieure ou égale à la limite admissible pour l'eau quittant le système, tel que stipulé dans les normes 42, 53, 401 et P473.



Le système XWF est certifié par l'IAPMO R&T en vertu des normes 42, 53, 401, et P473 de la NSF/ANSI relatives à la réduction des allégations spécifiées sur la fiche technique de rendement et le site [iapmort.org](http://iapmort.org).



# Fiche technique de performance

## Modèle : GE Appliances XWFE

- Système certifié par l'IAPMO R&T en vertu des normes 42, 53, 401 de la NSF/ANSI relatives à la réduction des allégations spécifiées sur la fiche technique de rendement et le site [iapmort.org](http://iapmort.org).
- Le rendement réel peut varier selon les conditions locales de l'eau.

Substance testée pour réduction	Concentration d'essai de l'influent (mg/L)	Concentration max. admissible dans l'eau du produit (mg/L)	Réduction moy. (%)
Goût et odeur chlore	2.0 mg/L +/- 10%	N/A	96.9
Goût et odeur chloramine	3.0 mg/L +/- 10%	0.5	96.9
Particules, Classe I	Au moins 10 000/mL	N/A	91.4
Oocystes	50,000/L	N/A	>99.99
Plomb	0.15	0.01	98.85
Mercurure	0.006	0.002	96.3
Amiante	107 à 108 fibres/L	N/A	>99
Toxaphène	0.015 +/- 10%	0.003	86.95
SCC (substitut de chloroforme C)	0.300	0.015	99.7
Alachlore	0.050	0.001	> 98
Atrazine	0.100	0.003	> 97
Benzène	0.081	0.001	> 99
Carbofuran	0.190	0.001	> 99
tétrachlorure de carbone	0.078	0.0018	98
chlorobenzène	0.077	0.001	> 99
chloropicrine	0.015	0.0002	99
2, 4-D	0.110	0.0017	98
dibromochloropropane (DBCP)	0.052	0.00002	> 99
o-Dichlorobenzène	0.08	0.001	> 99
p-Dichlorobenzène	0.040	0.001	> 98
1,2-dichloroéthane	0.088	0.0048	95
1,1-dichloroéthylène	0.083	0.001	> 99
cis-1,2-dichloroéthylène	0.170	0.0005	> 99
trans-1,2-dichloroéthylène	0.086	0.001	> 99
1,2-dichloropropane	0.080	0.001	> 99
cis-1,3-dichloropropylène	0.079	0.001	> 99
dinosébe	0.170	0.0002	99
Endrine	0.053	0.00059	99
Éthylbenzène	0.088	0.001	> 99
éthylène dibromide (EDB)	0.044	0.00002	> 99
bromochloroacétonitrile	0.022	0.0005	98
dibromoacétonitrile	0.024	0.0006	98
dichloroacétonitrile	0.0096	0.0002	98
trichloroacétonitrile	0.015	0.0003	98
1,1-dichloro-2-propanone	0.0072	0.0001	99
1,1,1-trichloro-2-propanone	0.0082	0.0003	96
heptachlore (H-34, Heptox)	0.025	0.00001	>99
heptachloreépoxyde	0.0107	0.0002	98
hexachlorobutadiène	0.044	0.001	> 98
hexachlorocyclopentadiène	0.060	0.000002	> 99
Lindane	0.055	0.00001	> 99
méthoxychlore	0.050	0.0001	> 99
pentachlorophénole	0.096	0.001	> 99
simazine	0.120	0.004	> 97
Styrène	0.150	0.0005	> 99
1,1,2,2-tétrachloroéthane	0.081	0.001	> 99
Tétrachloroéthylène	0.081	0.001	> 99
Toluène	0.078	0.001	> 99
2,4,5-TP (silvex)	0.270	0.0016	99
Acide tribromoacétique	0.042	0.001	> 98
1,2,4-Trichlorobenzène	0.160	0.0005	> 99
1,1,1-trichloroéthane	0.084	0.0046	95
1,1,2-trichloroéthane	0.150	0.0005	> 99
trichloroéthylène	0.180	0.0010	> 99
bromoforme	0.300	0.015	95
bromodichlorométhane	0.300	0.015	95
chlorodibromométhane	0.300	0.015	95
xylènes	0.070	0.001	>99
Méprobamate	400 +/- 20%	60	95.5
Aténolol	200 +/- 20%	30	95.9
Carbamazépine	1400 +/- 20%	200	98.6
diéthyltoluamide (DEET)	1400 +/- 20%	200	98.6
Métolachlore	1400 +/- 20%	200	98.7
Triméthoprim	140 +/- 20%	20	96.1
Linuron	140 +/- 20%	20	96.6
TCEP	5000 +/- 20%	700	98.1
TCPP	5000 +/- 20%	700	98.1
Phénytoïne	200 +/- 20%	30	96
Ibuprofène	400 +/- 20%	60	95.9
Naproxène	140 +/- 20%	20	96.5
Estrone	140 +/- 20%	20	97.1
Bisphénol A	2000 +/- 20%	300	99.1
Nonylphénol	1400 +/- 20%	200	97.3

### Conditions d'application/Paramètres d'alimentation d'eau

Débit de service	0,5 gal./min. (1,89 l/min.)
Alimentation d'eau	Eau potable
Pression d'eau	25-120 psi (172-827 kPa)
Température de l'eau	33°F-100°F (0.6°C-38°C)
Capacité	170 gallons (643,5 litres)

Le rendement du produit sera conforme à ce qui est promis à condition que l'installation, l'entretien et le remplacement du filtre s'effectuent selon les recommandations du fabricant.

**REMARQUE :** Bien que les tests aient été réalisés dans des conditions de laboratoire.

Cartouche de rechange : XWFE. Pour une estimation du coût des pièces de rechange, visitez notre site Web [cafeappliances.ca](http://cafeappliances.ca).

### ⚠ AVERTISSEMENT Pour réduire le risque associé à l'ingestion de contaminants :

- N'utilisez pas l'appareil avec de l'eau d'une qualité incertaine ou non potable sur le plan microbiologique sans une désinfection en amont et en aval du système. Les systèmes homologués relativement à la réduction d'oocystes peuvent être utilisés avec de l'eau désinfectée pouvant contenir des oocystes filtrables.

### AVIS

#### Pour réduire le risque de fuite ou d'inondation et pour garantir un rendement optimal du filtre :

- Lisez et observez les instructions d'utilisation avant l'installation et l'utilisation de ce système.
- L'installation et l'utilisation DOIVENT satisfaire tous les codes de plomberie locaux et nationaux.
- Ne procédez pas à l'installation si la pression d'eau excède 120 psi (827 kPa). Si votre pression d'eau excède 80 psi (552 kPa), vous devez poser une valve de limitation de pression. Faites appel à un plombier si vous avez des doutes sur la façon de mesurer votre pression d'eau.
- Ne procédez pas à l'installation si une condition de coup de bélier est susceptible de survenir. Si cette condition existe, vous devez poser un antibélier. Faites appel à un plombier si vous avez des doutes sur la manière d'identifier cette condition.
- Ne procédez pas à l'installation sur des conduites d'eau chaude. La température de service maximale de l'eau pour ce système de filtre est de 100 °F (38 °C).
- Protégez le filtre contre le gel. Drainez le filtre lorsque la température tombe sous 33 °F (0,6 °C).
- Remplacez la cartouche filtrante jetable tous les six mois, ou plus tôt si vous constatez une réduction appréciable du débit d'eau.
- L'omission de remplacer la cartouche filtrante jetable aux intervalles recommandés peut mener à une réduction du rendement du filtre et au fendillement du boîtier du filtre, entraînant ainsi des fuites ou l'inondation.
- Ce système a été mis à l'essai conformément aux normes 42, 53 et 401 de la NSF/ANSI relatives à la réduction des substances énumérées ci-dessous. La concentration des substances mentionnées dans l'eau entrant dans le système a été réduite à une valeur inférieure ou égale à la limite admissible pour l'eau quittant le système, tel que stipulé dans les normes 42, 53 et 401 de la NSF/ANSI.



Le système XWFE est certifié par l'IAPMO R&T en vertu des normes 42, 53, 401, et P473 de la NSF/ANSI relatives à la réduction des allégations spécifiées sur la fiche technique de rendement et le site [iapmort.org](http://iapmort.org).





# Soutien au consommateur

---

## Site Web de Café

Vous avez une question ou vous avez besoin d'aide pour votre appareil électroménager? Visitez le site Web de Café 24 heures par jour, tous les jours de l'année! Vous pouvez aussi y trouver d'autres formidables produits Café et tirer avantage de tous nos services d'assistance en ligne. Aux États-Unis : [cafeappliances.com](http://cafeappliances.com)  
Au Canada : [cafeappliances.ca](http://cafeappliances.ca)

---

## Enregistrez votre électroménager

Enregistrez votre nouvel appareil en ligne au moment qui vous convient le mieux! L'enregistrement de votre produit dans les délais prescrits permet une meilleure communication et un service rapide, selon les modalités de votre garantie, si besoin est. Vous pouvez également envoyer par courrier la carte d'enregistrement pré-imprimée qui se trouve dans l'emballage de votre appareil.

Aux États-Unis : [cafeappliances.com/register](http://cafeappliances.com/register)

Au Canada : [cafeappliances.ca/register](http://cafeappliances.ca/register)

---

## Service de réparation

Un service de réparation expert Café se trouve à quelques pas de chez vous. Rendez-vous sur notre site et programmez, à votre convenance, une visite de réparation à n'importe quel jour de l'année.

Aux États-Unis : [cafeappliances.com/service](http://cafeappliances.com/service)

Au Canada : [cafeappliances.ca/service](http://cafeappliances.ca/service)

---

## Prolongation de garantie

Procurez-vous une prolongation de garantie Café et informez-vous des rabais spéciaux en vigueur pendant la durée de votre garantie. Vous pouvez vous la procurer en ligne en tout temps. Les services Café seront toujours disponibles après l'expiration de la garantie. Aux États-Unis : [cafeappliances.com/service](http://cafeappliances.com/service)

Au Canada : [cafeappliances.ca/service](http://cafeappliances.ca/service)

---

## Pièces et accessoires

Les personnes ayant les compétences requises pour réparer elles-mêmes leurs appareils peuvent recevoir directement à la maison des pièces ou accessoires (les cartes VISA, MasterCard et Discover sont acceptées). Commandez en ligne 24 heures par jour.

Aux États-Unis : [cafeappliances.com](http://cafeappliances.com)

Au Canada : [cafeappliances.ca](http://cafeappliances.ca)

**Les instructions contenues dans le présent manuel comportent des procédures que tout utilisateur peut effectuer. Les autres types de réparation doivent généralement être confiés à un technicien qualifié. Utilisez de prudence : une réparation ou un entretien mal effectués peuvent rendre l'utilisation de l'appareil dangereuse.**

---

## Communiquez avec nous

Si vous n'êtes pas satisfait du service après-vente de Café, communiquez avec nous depuis notre site Web en fournissant tous les détails dont votre numéro de téléphone, ou écrivez à :

Aux États-Unis : General Manager, Customer Relations | Café, Appliance Park | Louisville, KY 40225

[cafeappliances.com/contact](http://cafeappliances.com/contact)

Au Canada : Director, Consumer Relations, Mabe Canada Inc. | Suite 310, 1 Factory Lane | Moncton, N.B. E1C 9M3

[cafeappliances.ca/contact](http://cafeappliances.ca/contact)

---



DISTINCT BY DESIGN™

## Manual del propietario e instrucciones de instalación

# Congelador Inferior Refrigeradores

Los modelos que comienzan con las letras CFE son Modelos con Profundidad Estándar (SD)

Los modelos que comienzan con las letras CYE y CWE son Modelos con Profundidad de Mesada (CD)

### Contents

<b>Información de Seguridad</b> .....	3	<b>Instrucciones de Instalación</b>	
<b>Instrucciones de Funcionamiento</b>		Preparación para Instalar el Refrigerador .....	24
Funciones .....	6	Instalación del Refrigerador .....	26
Controles .....	8	Instalación del Soporte Anti-Volcaduras .....	32
Dispensador .....	11	Instalación del Suministro de Agua .....	37
Filtro de Agua .....	12	<b>Consejos para la Solución de Problemas</b> .....	18
Agua Caliente .....	13	Condiciones de Funcionamiento Normal .....	40
Acerca de la Elaboración con Una		Verdad o Mito .....	43
Sola Cápsula Keurig .....	14	<b>Garantía Limitada</b> .....	45
Comunicación del Electrodoméstico .....	15	<b>Soporte al Cliente</b>	
Opciones de Almacenamiento de Comidas Frescas .....	16	Certificado Limitado del Dispositivo del Cartucho	
Climate Zone y Cajón de Temperatura Controlada .....	18	del Filtro de Agua RPWFE .....	46
Freezer .....	20	Ficha Técnica de Rendimiento .....	47
Máquina de Hacer Hielo Automática .....	21	Soporte al Cliente .....	48
<b>Cuidado y Limpieza</b> .....	22		
Reemplazo de las Luces .....	23		

Escriba los números de modelo y de serie aquí:

Nº de Modelo \_\_\_\_\_

Nº de Serie \_\_\_\_\_

Busque estos números en una etiqueta del lado izquierdo, cerca de la parte intermedia del compartimiento del refrigerador.

ESPAÑOL

## **GRACIAS POR HACER QUE CAFÉ SEA PARTE DE SU HOGAR.**

---

Sentimos orgullo por el nivel de arte, innovación y diseño de cada uno de los electrodomésticos de Café, y creemos que usted también. Entre otras cosas, el registro de su electrodoméstico asegura que podamos entregarle información importante del producto y detalles de la garantía cuando los necesite.

Registre su electrodoméstico Café ahora a través de Internet. Sitios Web y números telefónicos útiles están disponibles en la sección de Soporte para el Consumidor de este Manual del Propietario. También puede enviar una carta en la tarjeta de inscripción preimpresa que se incluye con el material embalado.

**C A F É**

---

DISTINCT BY DESIGN™

# INFORMACIÓN IMPORTANTE DE SEGURIDAD

## LEA TODAS LAS INSTRUCCIONES ANTES DE USAR

### ⚠ ADVERTENCIA

A fin de reducir el riesgo de incendio, explosión, descargas eléctricas o lesiones al usar su refrigerador, siga estas precauciones básicas de seguridad:

- Este refrigerador se deberá instalar y ubicar adecuadamente de acuerdo con las Instrucciones de Instalación antes de ser usado.
- Desenchufe el refrigerador antes de hacer reparaciones, reemplazar una lámpara de luz o hacer una limpieza.  
**Nota:** La corriente que va al refrigerador no puede ser desconectada por ninguna configuración del panel de control.  
**Nota:** Las reparaciones deberán ser realizadas por un Profesional del Servicio Técnico calificado.
- Reemplace todas las piezas y paneles antes del uso.
- No use un prolongador.
- No guarde ni use gasolina u otros vapores inflamables y líquidos cerca de este ni de otro electrodoméstico.
- No guarde sustancias explosivas tales como latas de aerosoles con propelentes inflamables en este electrodoméstico.
- A fin de evitar riesgos de que los niños sufran asfixia o queden atrapados, retire las puertas de comidas frescas y del freezer de cualquier refrigerador antes de deshacerse o dejar de usar el mismo.
- Los niños y las personas con capacidad física, sensorial o mental reducida o con falta de experiencia y conocimiento podrán usar este electrodoméstico sólo si son supervisados o les fueron dadas instrucciones sobre un uso seguro y entienden los riesgos involucrados.
- Este electrodoméstico fue diseñado para uso hogareño y para aplicaciones similares tales como: áreas de personal de cocina en tiendas, oficinas y otros espacios laborales; casas de campo; por clientes en hoteles, moteles, hostales y otros espacios residenciales, catering y aplicaciones no minoristas similares.
- No aplique limpiadores ásperos sobre el refrigerador. Ciertos limpiadores dañarán el plástico, lo cual podrá hacer que ciertas piezas tales como la puerta o las manijas de las puertas se separen de forma inesperada. Para acceder a instrucciones detalladas, lea la sección de Cuidado y Limpieza.
- Conecte al suministro de agua potable solo con una presión de agua máxima de 120 psi (827 kilopascales).

### ⚠ PRECAUCIÓN

A fin de reducir el riesgo de lesiones al usar el refrigerador, siga estas precauciones básicas.

- No limpie estantes de vidrio ni tapas con agua caliente cuando estén fríos. Los estantes de vidrio y las tapas se pueden romper si son expuestos a cambios de temperatura repentinos o impactos, tales como sacudones o caídas. El vidrio templado está diseñado para destruirse en pequeñas piezas en caso de rotura.
- Mantenga los dedos fuera de los espacios de "riesgo de lastimaduras"; los despejes entre las puertas y entre las puertas y el gabinete son necesariamente pequeños. Tenga el cuidado de cerrar las puertas cuando los niños se encuentren en el área.
- No vuelva a congelar comidas que hayan estado totalmente congeladas en forma previa.
- En refrigeradores con máquinas de hacer hielo automáticas, evite el contacto con las partes móviles del mecanismo eyector o con el elemento de calefacción que libera los cubos. No coloque los dedos ni las manos en el mecanismo de la máquina de hielo automática mientras el refrigerador esté enchufado.

## INSTALACIÓN

### ⚠ ADVERTENCIA

#### RIESGO DE INCENDIO O EXPLOSIÓN

Mantenga cualquier material inflamable y vapores alejados del refrigerador. Si no se cumple con esto se podrá producir una explosión, incendio o la muerte.

### ⚠ ADVERTENCIA



#### RIESGO DE CAÍDA

Si se incluye un soporte de piso antivolcaduras con su refrigerador, instale el mismo a fin de evitar que el refrigerador se incline hacia adelante, lo cual podrá producir como resultado la muerte o lesiones graves. Lea y siga las instrucciones de instalación en su totalidad, a fin de instalar el soporte de piso antivolcaduras embalado con su refrigerador.

# LEA Y GUARDE ESTAS INSTRUCCIONES

# INFORMACIÓN IMPORTANTE DE SEGURIDAD LEA TODAS LAS INSTRUCCIONES ANTES DE USAR

## CONEXIÓN DE LA ELECTRICIDAD

### ⚠ ADVERTENCIA



### RIESGO DE DESCARGA ELÉCTRICA

Enchufe en un tomacorriente con conexión a tierra de 3 cables.

No elimine el cable de conexión a tierra.

No use un adaptador.

No use un prolongador.

Si no se siguen estas instrucciones se podrá producir a muerte, incendios o descargas eléctricas.

**Nunca, bajo ninguna circunstancia, corte o elimine el tercer cable (tierra) del cable de corriente. Para su seguridad personal, este electrodoméstico debe estar adecuadamente conectado a tierra.**

El cable de corriente de este electrodoméstico contiene un enchufe de 3 cables (conexión a tierra) que se conecta a un tomacorriente de pared estándar de 3 cables (conexión a tierra) para minimizar la posibilidad de riesgos de descargas eléctricas por parte del mismo.

Contrate a un electricista calificado para que controle el tomacorriente y el circuito eléctrico, a fin de asegurar que el enchufe esté correctamente conectado a tierra.

En caso de contar con un tomacorriente de pared de 2 cables, es su responsabilidad y obligación reemplazarlo por un tomacorriente de pared de 3 cables correctamente conectado a tierra. No use un adaptador.

El refrigerador debería estar siempre conectado a un enchufe específico con un índice de voltaje equivalente al que figura en su etiqueta de características técnicas.

Se requiere un suministro eléctrico con fusible y conexión a tierra de 115 voltios de CA, 60 Hz, 15 o 20 amperes. Esto garantiza el mejor funcionamiento y además previene la sobrecarga de los circuitos del hogar, lo cual podría ocasionar riesgos de incendio debido al recalentamiento de cables.

Nunca desenchufe el refrigerador tirando del cable de corriente. Siempre tome su enchufe firmemente y empuje el mismo hacia afuera para retirarlo.

Repáre o reemplace de inmediato todos los cables de corriente pelados o con cualquier tipo de daño. No use un cable con cortaduras o abrasión sobre su extensión o extremos.

Al alejar el refrigerador de la pared, se deberá tener cuidado de que no ruede sobre ni dañe el cable de corriente.

### ⚠ ADVERTENCIA

### PELIGRO DE SUFFOCATION Y ENTRAPMENT

El incumplimiento de estas instrucciones de eliminación puede causar la muerte o lesiones graves.

**IMPORTANTE:** Que un niño quede atrapado o que sufra una asfixia no son problemas del pasado. Los refrigeradores antiguos o abandonados aún son peligrosos, incluso aunque se conserven por "sólo unos pocos días". Si se deshará de su antiguo refrigerador, siga las siguientes instrucciones a fin de evitar accidentes.

#### Antes de Descartar su Antiguo Aparato:

- Retire las puertas de comidas frescas y del freezer.
- Deje los estantes en su lugar de modo que los niños no puedan trepar dentro con facilidad.

### CÓMO ELIMINAR REFRIGERANTES Y GOMAESPUMAS:

Descarte el electrodoméstico de acuerdo con las Regulaciones Federales y Locales. El materiales aislantes inflamable usado requiere procedimientos de desarte especiales. Comuníquese con las autoridades locales para descartar su electrodoméstico de forma ambientalmente segura

# LEA Y GUARDE ESTAS INSTRUCCIONES

# INFORMACIÓN IMPORTANTE DE SEGURIDAD

## LEA TODAS LAS INSTRUCCIONES ANTES DE USAR

### DISPENSADOR DE AGUA CALIENTE

#### ⚠ ADVERTENCIA



#### RIESGO DE ESCALDADURA

El dispensador de agua caliente puede calentar agua a una temperatura de aproximadamente 185°F (85°C). Las temperaturas del agua superiores a los 125° F (52° C) pueden ocasionar quemaduras graves o la muerte por escaldadura. Los niños, las personas incapacitadas y los mayores presentan el mayor riesgo de sufrir escaldaduras.

**Use este electrodoméstico sólo para su propósito original, como se describe en el Manual del Propietario. A fin de reducir el riesgo de quemaduras severas, lesiones por escaldadura, o la muerte al usar el dispensador de agua caliente, se deberán seguir las siguientes instrucciones:**

- No deje el recipiente sin supervisión en cercanía de niños durante o después de dispensar agua caliente.
- No permita que los niños usen el agua caliente del dispensador.
- La perilla para dispensar agua caliente requiere movimientos de giro y empuje, a fin de reducir el riesgo de que se dispense agua caliente de forma no intencional o por parte de niños pequeños. No manipule indebidamente ni modifique la perilla para dispensar agua caliente.
- El agua proveniente del dispensador está muy caliente. Tenga extremo cuidado al dispensar y beber agua. Espere a que el agua se enfríe hasta que sea posible beberla antes de tomarla. Mantenga la taza o el recipiente cerca del punto desde donde se dispensa, a fin de minimizar salpicaduras de agua caliente que podrían tomar contacto con su mano.
- Al dispensar agua caliente, el recipiente puede alcanzar una temperatura muy alta. Use un recipiente con aislante de temperatura tal como cerámica o gomaespuma. El uso de materiales para envases tales como el papel o el plástico pueden resultar en una quemadura al sostener la taza. No use envases de vidrio, ya que los cambios de temperatura pueden hacer que el envase se rompa y produzca escaldaduras o laceraciones.
- Siga siempre las instrucciones del fabricante para la preparación de la fórmula de bebé y controle la temperatura de la misma antes de dársela a su bebé. Siempre controle la temperatura del agua antes de alimentar a su bebé.
- Al usar la función de agua caliente por primera vez, confirme si vive por encima de los 1524 metros (5000 pies) (altitud alta). Esto limita la temperatura del sistema de agua caliente a fin de evitar el hervor. Para acceder a la sección de altitud elevada, vaya a al menú de configuraciones (parámetros) si éste se encuentra presente o en otros modelos presiones **Fridge** (Refrigerador) y **Door Alarm** (Alarma de la Puerta) de forma simultánea para pasar de **Hi AL** a **Lo AL** (altitud elevada a altitud baja).
- Un cartucho del filtro de agua instalado en forma reciente hará que chorree agua del dispensador. Deje correr 2 galones (7.57 litros) de agua a través del dispensador de agua fría (aproximadamente 5 minutos) a fin de eliminar el aire del sistema. Hasta que el aire sea eliminado del sistema a través del dispensador de agua fría, NO use el dispensador de agua caliente ya que puede hacer que chorree agua caliente y ocasionar escaldaduras con agua caliente.
- No use con agua que no sea segura a nivel microbiológico o de calidad desconocida.
- El dispensador de agua caliente está diseñado para dispensar agua únicamente. No intente calentar o dispensar ninguna otra cosa que no sea agua. No intente desensamblar o limpiar el tanque.
- No modifique el sistema de agua caliente. Efectúe el mantenimiento sólo con piezas de repuesto especificadas de fábrica.

**Marque el tipo de refrigerador en la etiqueta de especificaciones técnicas. Si es el R600a, cumpla con las instrucciones descriptas en la siguiente advertencia.**

#### ⚠ ADVERTENCIA

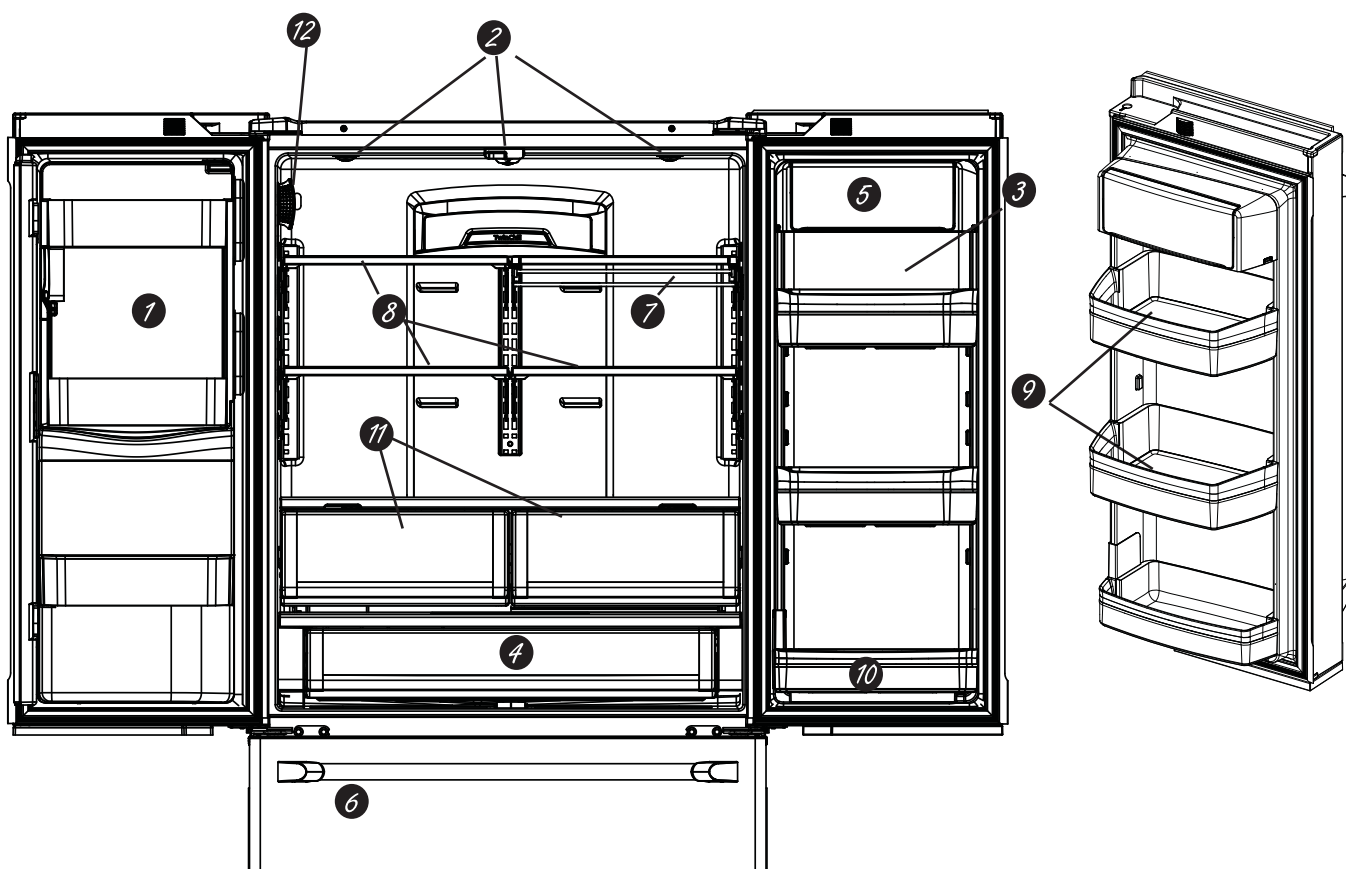


#### RIESGO DE INCENDIO O EXPLOSIÓN Refrigerantes Inflamables

Este electrodoméstico cuenta con refrigerante isobutano, también conocido como R600a, un gas natural con alto nivel de compatibilidad medioambiental. Sin embargo, también es combustible. Siga las advertencias que figuran a continuación, a fin de reducir el riesgo de lesiones o daños sobre la propiedad.

1. Al mover, instalar y operar el electrodoméstico, se deberá tener cuidado de no dañar la tubería del refrigerante.
2. El servicio técnico sólo debe ser realizado por personal autorizado del servicio. Use sólo piezas del servicio autorizadas por el fabricante.
3. Descarte el electrodoméstico de acuerdo con las Regulaciones Federales y Locales. El refrigerante inflamable y el material aislante inflamable usados en este producto requieren procedimientos de descarte especiales. Comuníquese con las autoridades locales para descartar su refrigerador de forma ambientalmente segura.
4. Mantenga las aberturas de ventilación en el espacio de protección del electrodoméstico o en la estructura incorporada libres de obstrucción.
5. A fin de eliminar la escarcha, raspe con una espátula o raspador de plástico o madera. No use un pico de hielo o un instrumento de metal con forma puntiaguda, ya que esto podrá perforar el revestimiento del freezer y luego la tubería refrigerante inflamable detrás de éste.
6. No use dispositivos eléctricos dentro del compartimiento de almacenamiento de comida del electrodoméstico.
7. No use ningún dispositivo eléctrico para descongelar su refrigerador.

# Funciones

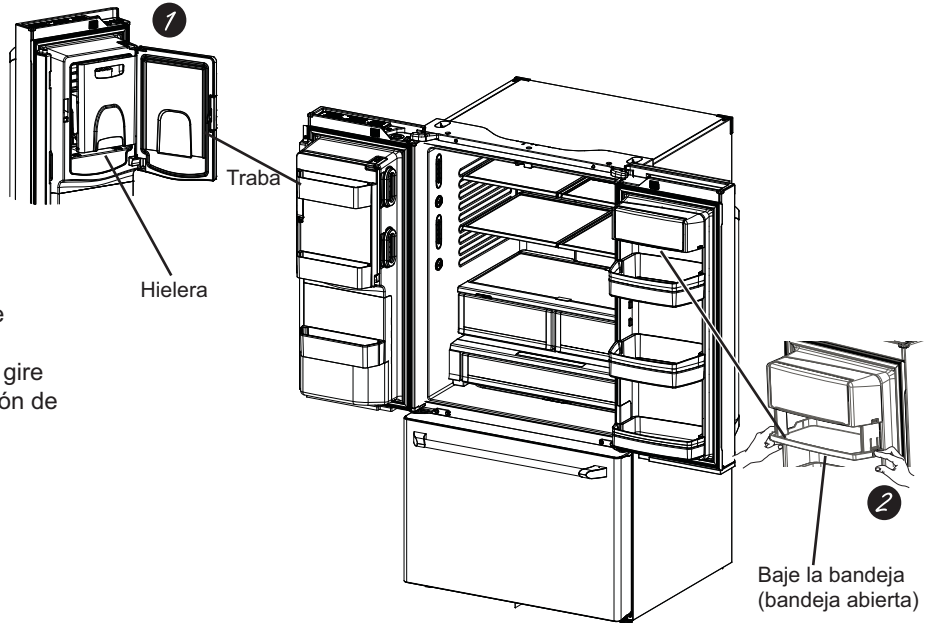


- 1 Máquina de hacer hielo con ahorro de espacio\***  
La máquina de hacer hielo y el recipiente están ubicados en la puerta, creando un espacio de almacenamiento con mayor uso.
- 2 Luz LED de exhibición**  
La luz LED está posicionada a través del interior para iluminar áreas del refrigerador. Las luces LED están ubicadas debajo de la puerta de comidas frescas para iluminar el freezer cuando se abra.
- 3 Bandeja desplegable\***  
Permite un almacenamiento adicional en la puerta cuando lo necesite y se guarda cuando no.
- 4 Cajón con control de temperatura electrónica de ancho completo (en algunos modelos)**  
Recipiente con control de temperatura ajustable que puede ubicar artículos más grandes.
- 5 Recipiente de lácteos\***  
Compartimiento aparte para sus productos.
- 6 Cubo de hielo/ Máquina de hielos\***  
Máquina de hielos con cubos de almacenamiento de hielo..
- 7 Estante de QuickSpace™ \***  
Funciona como un estante normal de tamaño completo cuando lo necesite y se desliza fácilmente hacia adentro para guardar artículos altos en la parte inferior.
- 8 Estantes a prueba de derrames**  
Diseñados para capturar derrames y permitir una limpieza más fácil.
- 9 Tapete Antideslizante\***  
Revestimiento que captura los derrames, evita el desplazamiento de los envases cuando la puerta es abierta y se puede retirar fácilmente para su limpieza.
- 10 Recipiente con puerta desmontable**  
Puede ser retirado cuando haya una pared que limite la apertura de la puerta.
- 11 Recipiente de Climate zone (área climática)**  
Recipientes aparte para almacenar productos alimenticios.
- 12 Filtro de agua**  
Filtra agua y hielo

\*Modelos Selectos Únicamente

## 1 Recipiente de hielo en la puerta\*

1. Abra la puerta izquierda de comidas frescas.
2. Baje la traba para abrir la puerta del recipiente.
3. . Uso del recipiente con sujeción manual hacia arriba y afuera para despejar los localizadores en la parte inferior del recipiente.
4. Para reemplazar la hielera, ajuste la misma a los soportes de la guía y empuje hasta que la misma se ubique correctamente.
5. Si la hielera no se puede reemplazar, gire la Horquilla de la Hielera  $\frac{1}{4}$  en dirección de las agujas del reloj.



## 2 Recipiente de lácteos desplegable\*

1. Abra la puerta derecha de comidas frescas.
2. Presione ambos botones en los lados inferiores y el recipiente descenderá.
3. Dé vuelta para reinstalar.

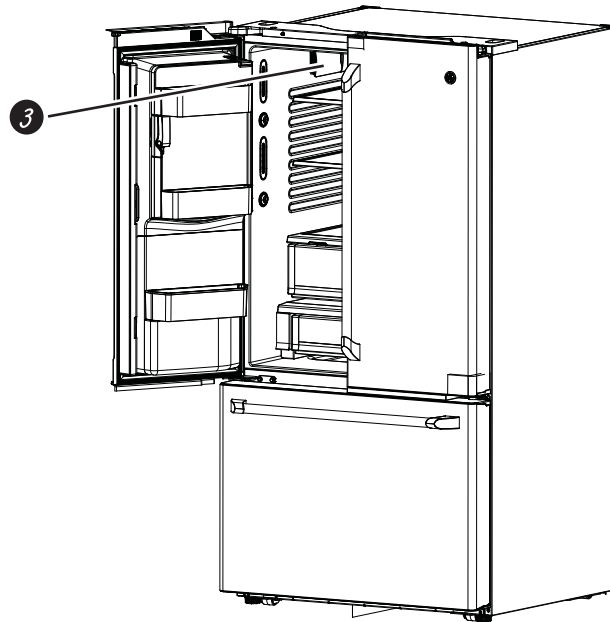
## 3 Hielo en la puerta/ filtro de agua

### Retire el filtro/ tapón del bypass

Presione la depresión sobre la tapa y abra la puerta del filtro. Si votre réfrigérateur en est équipé, empuje hacia usted el filtro/ enchufe del bypass y vuelva a empujar para retirar el mismo.

### Instale el cartucho del filtro

Presione la depresión en la parte inferior de la tapa y abra. Levante la puerta y alinee las lengüetas de un filtro a otro/ suspensor y empuje el filtro para colocarlo en su lugar.  
**NOTA:** Certificado para la reducción de quistes resistentes al cloro, plomo, fármacos específicos, y más.



## ⚠ ADVERTENCIA



## RIESGO

### DE ESCALDADURA \*

El uso de distribuidor agua caliente antes de la evacuación de aire del sistema puede causar quemaduras que causan intrusión de agua caliente. Siga las instrucciones para el "Filtro de Agua – Paso 3" en la página 12 para purgar todo el aire del sistema, a través del dispensador de agua fría antes de usar el dispensador de agua caliente.

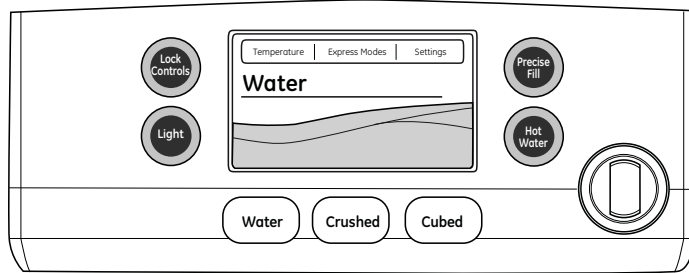
**Al usar la función de agua caliente por primera vez, confirme si vive por encima de los 5000 pies (1524 metros) (altitud elevada). Esto limita la temperatura del sistema de agua caliente a fin de evitar el hervor. Para acceder a la sección de altitud elevada, consulte la sección Acerca de los controles-funciones.**

\*Modelos Selectos Únicamente



# Controles

## Estilo de Control CYE/CFE



### Cambio de la Temperatura para el Estilo de Control CYE/CFE

**Para Cambiar la Temperatura del Refrigerador:**

**Acceda Por:** Botón de Temperatura Temperature

**Active por:** Debajo de la palabra "Refrigerador", use las flechas para seleccionar la temperatura deseada. Presione **DONE** (Hecho) al finalizar para regresar a la pantalla **HOME** (Inicio).

**Para Cambiar la Temperatura del Freezer:**

**Acceda Por:** Botón de Temperatura Temperature

**Active por:** Debajo de la palabra "Freezer", use las flechas para seleccionar la temperatura deseada.

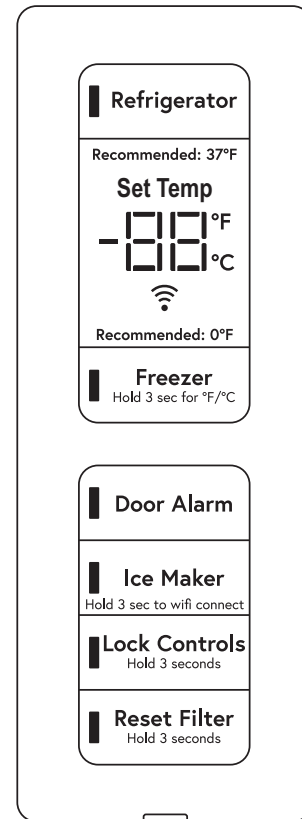
Presione **DONE** (Hecho) al finalizar para regresar a la pantalla **HOME** (Inicio).

Para apagar el sistema de enfriamiento, acceda a **SETTINGS** (Configuraciones) en la pantalla **HOME** (Inicio). Dé vuelta la página y presione **COOLING SYSTEM ON** (Sistema de Enfriamiento Activado). Presione **DONE** (Hecho) para regresar a la pantalla **HOME** (Inicio). Para encender el sistema de enfriamiento, acceda a **SETTINGS** (Configuraciones) en la pantalla **HOME** (Inicio). Dé vuelta la página y presione **COOLING SYSTEM OFF** (Sistema de Enfriamiento Desactivado). Presione **DONE** (Hecho) para regresar a la pantalla **HOME** (Inicio).

Apagar el sistema de refrigeración detiene el enfriamiento del refrigerador, pero no corta la corriente eléctrica.

**NOTA:** Para un rendimiento óptimo de la temperatura, es recomendable evitar colocar comida u otros productos directamente en las ventilaciones de aire o en la torre de aire de comidas frescas, bloqueando de este modo el flujo de aire.

## Estilo de Control CWE



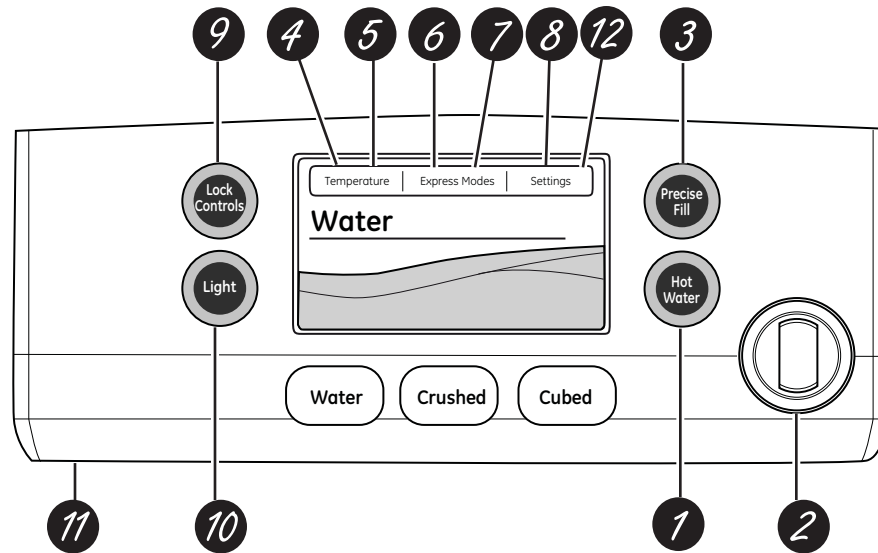
### Cambio de la Temperatura para el Estilo de Control CWE

La Pantalla de Temperatura está ubicada en la parte interior de la puerta izquierda del refrigerador. Para cambiar la temperatura, presione y libere las teclas **REFRIGERATOR** (Refrigerador) o **FREEZER** (Freezer). Para cambiar la temperatura, presione ligeramente la tecla **REFRIGERATOR** (Refrigerador) o **FREEZER** (Freezer) hasta que se muestre la temperatura deseada.

Para apagar el sistema de refrigeración, mantenga presionadas las teclas **REFRIGERATOR** (Refrigerador) y **FREEZER** (Freezer) de forma simultánea por 3 segundos. Cuando el sistema de refrigeración esté en **OFF** (Apagado), en la pantalla se debería leer **OFF** (Apagado).

Para encender el sistema de refrigeración, presione tanto las teclas **REFRIGERATOR** (Refrigerador) o **FREEZER** (Freezer). La pantalla mostrará la configuración de la temperatura programada de 3°C (37°F) para el refrigerador y -18°C (0°F) para el freezer. Apagar el sistema de refrigeración detiene el enfriamiento del refrigerador, pero no corta la corriente eléctrica.

## Estilo de Control A, Controles Externos Modelos CFE/CYE



**NOTA:** El refrigerador se envía con una envoltura que protege los controles de temperatura. Si esta envoltura no fue retirada durante la instalación, retire la misma ahora.

Los controles de temperatura fueron configurados previamente en la fábrica en 37°F para el compartimiento del refrigerador y en 0°F para el compartimiento del freezer. Espere 24 horas hasta que la temperatura se estabilice hasta los ajustes de preconfiguración recomendados.

Es posible que los controles de temperatura muestren la temperatura en SET (Ajustada), como también la temperatura real en el refrigerador y en el freezer. La temperatura real puede variar levemente de la temperatura en SET (Ajustada) en base al uso y al ambiente donde se usa.

- 1 Agua caliente**  
Dispensa hasta 10 onzas de agua caliente filtrada a partir de rangos seleccionados por el usuario entre 90°F y 185°F.
- 2 Perilla de Agua Caliente**  
Ilumina para indicar que el agua caliente está lista. Dispensa con dos movimientos: dé un giro en contra de las agujas del reloj y luego empuje para dispensar.
- 3 Configuración de Llenado Preciso**  
Dispensa de forma precisa agua filtrada en medidas precisas tanto en onzas como en tazas, cuartos de galones o litros usando la paleta.
- 4 Control de temperatura del refrigerador**  
Ajusta la temperatura del compartimiento del freezer.
- 5 Control de temperatura de comida fresca**  
Ajusta la temperatura del compartimiento de alimentos frescos.
- 6 Configuración de TurboFreeze™**  
Active TurboFreeze para restaurar rápidamente las temperaturas del freezer luego de aperturas de puerta frecuentes.
- 7 Configuración TurboCool™**  
Activa TurboCool rápidamente para recuperar la temperatura de las comidas frescas luego de aperturas de puerta frecuentes.
- 8 Configuración de humedad**  
La configuración de humedad puede ser normal o alta.
- 9 Controles de bloqueo**  
Mantenga presionado por 3 segundos para bloquear el dispensador de hielo y agua y todos los botones de funciones y temperatura.

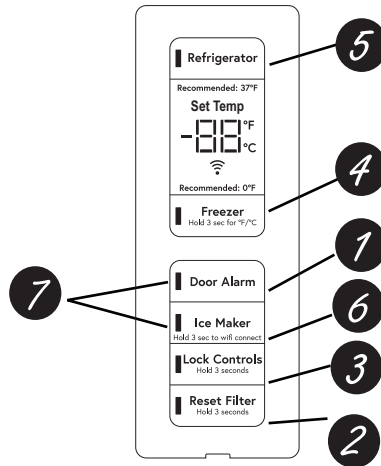
- 10 Luz del dispensador LED**  
La Luz LED puede ser encendida/ apagada para iluminar el dispensador.
- 11 Carga de fotos\***  
Inserte la tarjeta de memoria USB para cargar fotos personales en la pantalla de LCD del refrigerador. El LCD brindará instrucciones en pantalla sobre la carga y visualización de diapositivas. Asegúrese de que las fotos estén en el directorio raíz de su USB.
- 12 Configuraciones adicionales:**
  - Connected Home (Hogar Conectado) está listo
  - Diapositivas
  - Reset filter
  - Reinicie el filtro de agua
  - Máquina de hacer hielo encendida/ apagada
  - Alarma de la puerta
  - Control de sonido
  - Sistema de enfriamiento encendido/ apagado
  - Unidades métricas/ inglesas
  - Altitud

### Modos Adicionales

- **Modo Sabático**  
Mantenga presionado el bloqueo y la luz de forma simultánea por 3 segundos para entrar/ salir del modo Sabático. Sabbath Mode (Modo Sabático) apagará o atenuará las luces internas, el control de temperatura y las funciones avanzadas. El compresor funcionará con una des congelación por tiempo cuando esté en modo Sabático

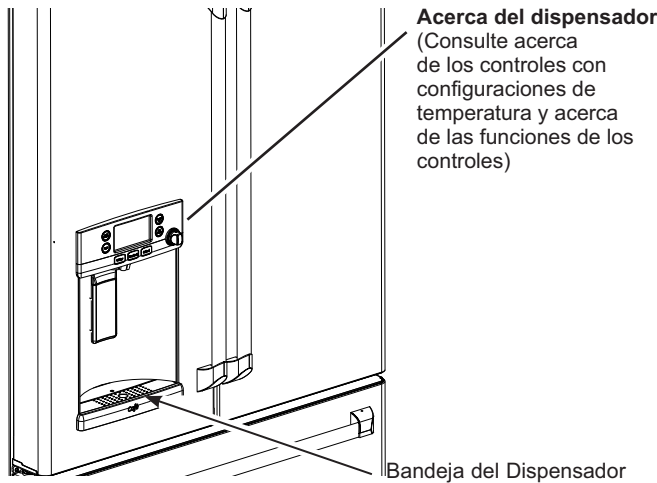
# Controles

Estilo de Control B, Controles Internos Modelos CWE



- |  |  |
|--|--|
| <p><b>1 Alarma de la Puerta</b><br/>Suena para alertarlo cuando las puertas del freezer o de comidas frescas se hayan dejado abiertas.</p> <p><b>2 Reinicio del Filtro*</b><br/>Espere 3 segundos luego de reemplazar el filtro.</p> <p><b>3 Controles de Bloqueo</b><br/>Mantenga presionado por 3 segundos para bloquear el dispensador de hielo y agua y todos los botones de funciones y temperatura</p> | <p><b>4 Control de temperatura del freezer</b><br/>Ajusta la temperatura del compartimiento del freezer.</p> <p><b>5 Control de temperatura del refrigerador</b><br/>Ajuste la temperatura del compartimiento de alimentos frescos.</p> <p><b>6 Configuración de la máquina de hacer hielo</b><br/>Enciende/ apaga sus máquinas de hacer hielo</p> <p><b>7 Modo Sabático</b><br/>De Forma simultánea, mantenga presionadas las funciones Door Alarm (Alarma de la Puerta) y Ice Maker (Máquina de Hielos) durante 5 segundos para ingresar/ salir de Sabbath Mode (Modo Sábatico).</p> |
|--|--|

# Dispensador (Modelos CFE y CYE Únicamente)



**Acerca del dispensador**  
(Consulte acerca de los controles con configuraciones de temperatura y acerca de las funciones de los controles)

## ⚠ ADVERTENCIA RIESGO DE LACERACIÓN

- Nunca coloque los dedos o cualquier otro objeto en la abertura de descarga de la picadora de hielo. Hacer esto puede resultar en el contacto entre los filamentos de la picadora de hielo y ocasionar lesiones graves o una amputación.
- Use un vidrio resistente al dispensar hielo. Un vidrio no resistente se podrá romper y ocasionar lesiones personales.

Si no se dispensa agua cuando el refrigerador se instala por primera vez, es posible que la tubería de agua posea aire. Presione la paleta dispensadora durante por lo menos cinco minutos para eliminar el aire atrapado de la tubería de agua y para llenar el sistema de agua. A fin de limpiar las impurezas en la tubería de agua, descarte los seis primeros vasos de agua.

### A fin de eliminar la Bandeja del Dispensador

- A fin de eliminar la Bandeja del Dispensador
- Ubique la lengüeta en el centro sobre la parte inferior y empuje hacia adentro.
- Empuje el ensamble de la Bandeja del Dispensador hacia afuera.
- Levante la Bandeja del Dispensador de metal hacia afuera en la ranura central para limpiar.

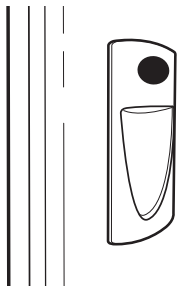
### Para reinstalar la Bandeja del Dispensador

- Coloque la tapa de la Bandeja del Dispensador sobre la bandeja de agarre y posicione la misma debajo de los dos tensores sobre cada lado.
- Centre la bandeja del dispensador y alinee la misma con las guías centrales.
- Empuje hacia adentro hasta que esté firmemente en su lugar.

## Hechos Importantes sobre Su Dispensador

- No agregue hielo de bandejas o bolsas a la hielera de la máquina de hacer hielo de la puerta. Es posible que no lo pique o vierta correctamente.
- Evite llenar el vaso con hielo de forma excesiva y use vasos angostos. El hielo estancado puede trabar el vertedor o hacer que la puerta del vertedor quede cerrada por congelación. Si el hielo bloquea el vertedor, retire la hielera y desbloquee el mismo con una cuchara de madera.
- Las bebidas y las comidas no se deberán enfriar de forma rápida en el cajón de almacenamiento de hielo. Las latas, botellas o paquetes de comida en el cajón de almacenamiento pueden hacer que la máquina de hacer hielo o el taladro se bloqueen.
- Para que el hielo dispensado no caiga afuera del vaso, coloque el vaso cerca de, pero sin que tenga contacto con, la abertura del dispensador.
- Es posible que cierta cantidad de hielo picado sea dispensada incluso aunque haya seleccionado CUBED ICE (Hielo en Cubos). Esto sucede ocasionalmente cuando algunos cubos son dirigidos accidentalmente a la picadora.
- Una vez que el hielo picado es dispensado, es posible que parte del agua gotee del vertedor.
- A veces se formará una pequeña cantidad de nieve en la puerta del vertedor de hielo. Esta condición es normal y habitualmente sucede cuando se dispensó hielo picado en forma repetida. La nieve finalmente se evaporará.

## Para Usar el Dispensador de Agua Interno (Modelos CWE Únicamente)



El dispensador de agua está ubicado en la pared izquierda dentro del compartimiento del refrigerador.

### Para dispensar agua:

- 1 Sostenga el vaso contra el hueco.
- 2 Presione el botón dispensador de agua.
- 3 Sostenga el vaso debajo del dispensador entre 2 y 3 segundos luego de liberar el botón del dispensador. Es posible que continúe dispensando agua luego de que el botón fue liberado.

Si no se dispensa agua cuando el refrigerador se instala por primera vez, es posible que la cañería de agua posea aire. Presione el botón dispensador durante por lo menos 5 minutos para eliminar el aire atrapado de la cañería de agua y para llenar el sistema de agua. Durante este proceso, es posible que el dispensador produzca un ruido fuerte a medida que se elimina el aire de la cañería de agua. A fin de limpiar las impurezas en la cañería de agua, descarte los seis primeros vasos de agua.

NOTA: A fin de evitar depósitos de agua, el dispensador debe ser limpiado en forma periódica con un paño limpio o una esponja.

# Cartucho de filtro de agua

## Cartucho del filtro de agua

El cartucho del filtro de agua está ubicado en el interior de los alimentos frescos en la pared del lado izquierdo, cerca de la parte superior.

Modelos selectos utilizan identificación por frecuencia radial (RFID), según sus siglas en inglés para detectar goteras y monitorear el estado del filtro. La tecnología RFID está certificada por la FCC.

### Cuándo es necesario reemplazar el cartucho del filtro

“Este dispositivo cumple con la Parte 15 de la Normativa de la FCC. Su funcionamiento está sujeto a las dos condiciones siguientes: (1) Este dispositivo no podrá ocasionar interferencias nocivas, y (2) este dispositivo debe aceptar cualquier interferencia recibida, incluyendo interferencias que puedan ocasionar un funcionamiento no deseado”.

“Este dispositivo cumple el estándar(es) de exención de licencia de la RSS de la Industria de Canadá. Su funcionamiento está sujeto a las dos condiciones siguientes: (1) Este dispositivo no podrá ocasionar interferencias, y (2) este dispositivo debe aceptar cualquier interferencia recibida, incluyendo interferencias que puedan ocasionar un funcionamiento no deseado”.

El cartucho del filtro se debe reemplazar cada seis meses o antes si 170 galones (643.52 litros) de agua fueron dispensados o el flujo de agua al dispensador o la máquina de hielos se ve reducido.

**Modelos con Pantalla Táctil:** Un mensaje del estado del filtro aparecerá en la pantalla cuando sea necesario reemplazar el filtro de agua. El estado del filtro se actualizará de forma automática cuando el filtro sea reemplazado

**Modelos sin Pantalla Táctil:** Una luz del indicador del filtro se iluminará en la pantalla cuando sea necesario reemplazar el filtro de agua.

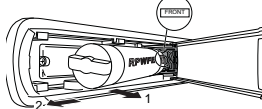
En algunos modelos, si el reemplazo del filtro no apaga de forma automática el indicador de “Order” (Orden) o “Replace” (Reemplazar) en la pantalla de LCD, ingrese al menú <Settings> (Configuraciones) desde la pantalla inicial, seleccione el menú <Water Filter> (Filtro de Agua), y presione el botón RESET (Reiniciar). Se reinició ahora el estado del filtro.

### Para un Producto con Filtro RPWFE

#### Retiro del Filtro

**¡NO TUERZA EL CARTUCHO!** Torcer el cartucho podrá dañar el filtro del refrigerador.

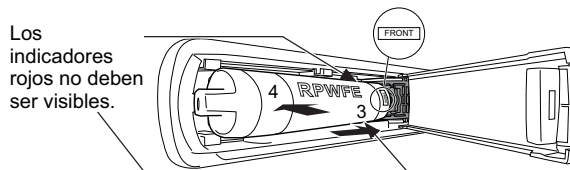
1. Retire el cartucho gastado abriendo la puerta del filtro y empujando la parte inferior del cartucho a fin de permitir que se balancee hacia afuera.
2. Cuando el cartucho ya no se pueda balancear, de forma suave empuje para desconectar el mismo del porta cartuchos. Es posible que gotee una pequeña cantidad de agua.



**¡NO TUERZA EL CARTUCHO!**

#### Instale el cartucho del filtro

1. Centre el cartucho con el porta cartuchos de modo que la palabra **FRONT** (Frente) esté mirando hacia adelante. Empuje el cartucho hacia adentro, hasta que quede completamente insertado. La palabra **FRONT** (Frente) deberá estar centrada con el porta cartucho para su correcta instalación. Los indicadores **ROJOS** no deberán estar visibles.



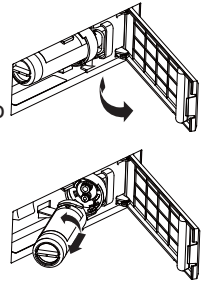
2. Mientras continúa asegurando que el cartucho esté completamente insertado en el porta cartuchos, gire suavemente

el filtro hacia adentro hasta que quede en posición vertical. Si el filtro no gira fácilmente, realice un control para asegurar que el mismo esté alineado de forma adecuada y completamente insertado dentro del porta cartuchos.

### Para un Producto con Filtro XWFE

#### Retiro del Filtro

Si reemplazará el filtro, primero retire el anterior tomando el mismo de forma suave y girándolo lentamente hacia la izquierda, dando aproximadamente ¼ de giro. El filtro deberá liberarse de forma automática cuando lo haya rotado lo suficiente hacia la izquierda. Es posible que gotee una pequeña cantidad de agua.



#### Instalación del Filtro

1. Abra la carcasa del cartucho del filtro empujando la puerta para abrirla
2. Alinee los puertos del filtro con los puertos de la carcasa del cartucho del filtro, e inserte el filtro de forma suave.
3. Lentamente, gire el filtro hacia la derecha hasta que se detenga. **NO LO AJUSTE EN EXCESO.** Mientras gira el filtro, el mismo se ajustará automáticamente en su posición. El filtro se moverá aproximadamente ¼ de giro o 90 grados hasta que no se pueda girar y hasta que la etiqueta mire hacia afuera.
4. Lentamente empuje el filtro hacia arriba sobre los sujetadores.
5. Cierre la carcasa del cartucho del filtro presionando la puerta de forma suave para su cierre, hasta que las lengüetas queden bloqueadas en su posición.



**Para los modelos con dispensador -** Deje correr 2 galones de agua a través del dispensador de agua fría (aproximadamente 5 minutos) a fin de eliminar el aire del sistema. Un cartucho del filtro de agua instalado en forma reciente puede hacer que chorree agua del dispensador. Use una jarra grande o una botella deportiva para atrapar el agua rociada. **NOTA:** Es normal que el agua se vea descolorida durante el flujo inicial del sistema. El color del agua regresará a su estado normal luego de unos pocos minutos de comenzar a dispensar.

**Para los modelos con máquina de hielo únicamente -** Descarte la primera cubitera de hielo para permitir que el aire sea purgado del sistema. Un cartucho del filtro instalado de forma reciente hará que el agua salga a chorros del cuerpo de la máquina de hielo, lo cual podrá generar gotitas de hielo alrededor del área de la máquina de hielo. **NOTA:** Es normal que estas gotitas y la producción inicial de hielo se vean descoloradas durante el sistema de purga inicial. El color del hielo volverá a la normalidad luego de la producción de la primera cubitera de hielo.

NO use el dispensador de agua caliente ni la función Autofill (Llenado Automático) hasta que todo el aire sea eliminado del sistema.

6. Mensaje de estado Reset Filter (Reiniciar el Filtro) (modelos sin pantalla táctil).

#### Tapón de Bypass del Filtro

A fin de reducir el riesgo de daños sobre la propiedad debido a pérdidas de agua, usted **DEBERÁ** usar el tapón del bypass del filtro cuando no se disponga de un reemplazo del cartucho del filtro. Algunos modelos no vienen equipados con el tapón del filtro del bypass. A fin de obtener un tapón del filtro del bypass, comuníquese al 800-GECARES. En Canadá, comuníquese al 800.561.3344. El dispensador y la máquina de hielos no funcionarán si el filtro o el tapón del bypass del filtro no están instalados. El tapón del bypass se instala del mismo modo que un cartucho del filtro.

## Cartucho de filtro de agua (Cont.)

### ⚠ ADVERTENCIA RIESGO DE ESCALDADURA.\*\*

Usar el dispensador de agua caliente antes de purgar el aire del sistema podrá generar chorreos de agua caliente y ocasionar escaldaduras con agua caliente. Siga las instrucciones anteriores sobre cómo purgar todo el aire del sistema, a través del dispensador de agua fría antes de usar el dispensador de agua caliente.

\*Modelos Selectos Únicamente

**⚠ ADVERTENCIA** A fin de reducir el riesgo asociado con asfixia, no permita que los niños menores de 3 años tengan acceso a las partes pequeñas durante la instalación de este producto. El cartucho del filtro descartable deberá ser reemplazado cada 6 meses luego de agotar su

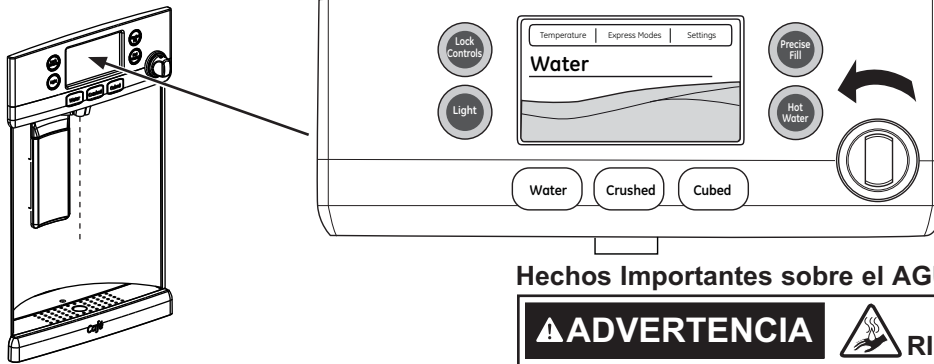
capacidad, o antes si se produce una reducción notoria en el caudal.

Para obtener el máximo beneficio de su sistema de filtrado, GE Appliances, a Haier company, recomienda el uso de los filtros de la marca GE Appliances únicamente. El uso de filtros de la marca GE Appliances en refrigeradores GE Appliances brinda un óptimo funcionamiento y confiabilidad. Los filtros nuestra cumplen con rigurosos estándares NSF de la industria sobre seguridad y calidad, que son importantes para los productos que están filtrando su agua. No garantizamos que los filtros de otras marcas que no sean de GE Appliances cumplan con nuestras normas de calidad, desempeño y confiabilidad.

**Ante cualquier consulta, o para ordenar cartuchos de filtros adicionales, visite nuestro sitio Web en [GEAppliances.com/service](http://GEAppliances.com/service). Los clientes de Canadá deberán visite nuestro sitio Web en [GEAppliances.ca/service](http://GEAppliances.ca/service) o buscar el Centro de Servicio Técnico Camco en las páginas amarillas.**

## Agua Caliente

### Modelos de Agua Caliente Únicamente



#### Hechos Importantes sobre el AGUA CALIENTE

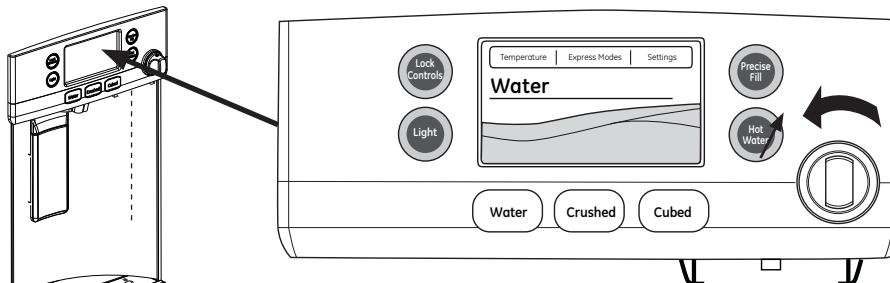
### ⚠ ADVERTENCIA RIESGO DE ESCALDADURA.

- El agua proveniente del dispensador es muy caliente y puede ocasionar escaldaduras o quemaduras. Lea todas las advertencias antes del uso. (Lea la página 5).
- Siempre use un recipiente adecuado para líquidos calientes (cerámica, gomaespuma, etc.)
- La máxima cantidad que se puede dispensar de una sola vez es de 10 onzas. Agua caliente adicional puede ser dispensada reiniciando la función de agua caliente a través de la pantalla de LCD.
- El AGUA CALIENTE funciona mejor con una presión de agua del hogar de 40 a 100 psi.
- El AGUA CALIENTE se enfriará si no se usa y se podrá requerir un breve tiempo de recalentamiento.

#### Para Usar el Dispensador de Agua Caliente

- Presione el botón HOT WATER (Agua Caliente).
- Seleccione la temperatura del agua deseada en la pantalla de LCD (90, 150, 170, 185, o Personalizada).
- Cuando el agua caliente esté lista (indicado en la pantalla y a través de un pitido), sostenga el envase con la mano izquierda centrado en el hueco debajo del pico.
- Para dispensar agua, gire la perilla de agua caliente en contra de las agujas del reloj y luego empuje la misma hacia adentro. La perilla deberá ser sostenida mientras se dispensa agua.

### Sistema de Elaboración con Cápsula



En los refrigeradores de Café equipados con el sistema de elaboración con cápsula, TODA EL AGUA CALIENTE es dispensada a través del tubo para dispensar de acero inoxidable, ubicado debajo del lado derecho del panel de control. El agua caliente no es dispensada desde el centro del área donde está el hueco.

## Agua Caliente (Cont.)

### Para Usar el Dispensador de Agua Caliente

- Presione el botón HOT WATER (Agua Caliente).
- Seleccione la temperatura del agua deseada en la pantalla de LCD (90, 150, 170, 185, o Personalizada).\*
  - \* Si selecciona "Keurig K-Cup Pod" (Cápsula de Keurig), el sistema de agua caliente cambiará al modo con cápsula. Para acceder a instrucciones del modo con cápsula, consulte la página 14.
- Cuando el agua caliente esté lista (indicado en la pantalla y a través de un pitido), sostenga el recipiente con la mano izquierda centrado en el hueco debajo del pico.
- Cuando el agua caliente esté lista (indicado en la pantalla y a través de un pitido), sostenga el recipiente con la mano izquierda centrado en el hueco debajo del pico.

### Factores Importantes sobre el AGUA CALIENTE

#### ⚠ ADVERTENCIA



#### Riesgo de

#### Escaldadura

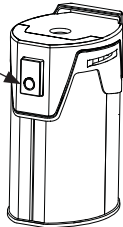
- Consulte la Advertencia de Agua Caliente: Riesgo de Escaldadura más arriba.
- No permita que los niños usen la cafetera.
- Siempre use un recipiente adecuado para líquidos calientes (cerámica, gomaespuma, etc.)
- No realice la elaboración en una taza de vidrio. Esto podrá hacer que el vidrio se fisure o rompa.

## Una Sola Cápsula Keurig

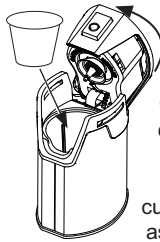
### Uso del dispensador para servir de forma individual

#### 1 Cargue la cápsula Keurig en la cafetera y cierre la tapa.

Presione para abrir



Deje caer la cápsula en la cafetera y presione hacia abajo de manera firme.



Cierre la cafetera. La tapa hará clic cuando esté asegurada.

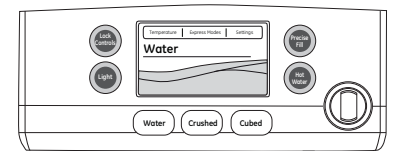
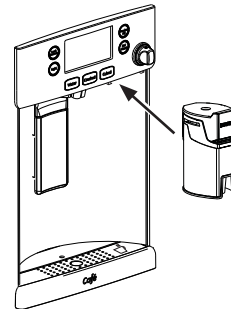
#### ⚠ PRECAUCIÓN

#### Riesgo de Corte/ Punción

- Dentro de la cafetera con cápsulas hay dos agujas filosas. A fin de evitar riesgos de lesiones, no coloque los dedos dentro de la cafetera. Tenga cuidado al realizar la limpieza.
- Mantenga la cafetera con cápsula fuera del alcance de los niños, ya que podrán sufrir lesiones al usar la misma de forma incorrecta.

#### 2 Dos formas de elaboración:

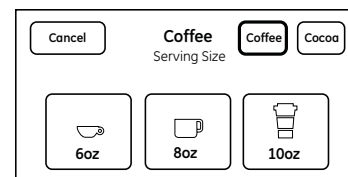
1. Presione el botón Hot Water (Agua Caliente). Seleccione la Cápsula Keurig.
- 
2. Deslice la cafetera por los rieles.



Rieles de la cafetera

#### 3 Elija el tamaño.

**AVISO:** Si usará una bebida en polvo, seleccione la configuración de cacao.



#### 4 Coloque la taza debajo de la cafetera (en el ícono de la taza en la bandeja y debajo de la boca de elaboración roja).

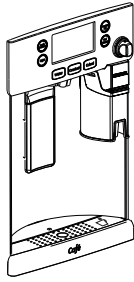
**AVISO:** Asegúrese de que la taza usada es lo suficientemente grande para el tamaño seleccionado.

#### 5

Gire la perilla de agua caliente en contra de las agujas del reloj y presione hacia adentro para comenzar a dispensar.

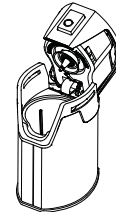
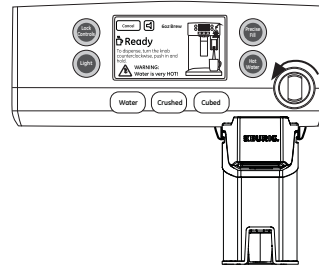
**AVISO:** Presione cualquier botón o la paleta del dispensador, o abra la puerta izquierda o la derecha para cancelar la acción del dispensador.

# Una Sola Cápsula Keurig (Cont.)



Boca de elaboración roja para alinear la taza

Ícono de la taza para su ubicación



## Limpieza de la Cafetera

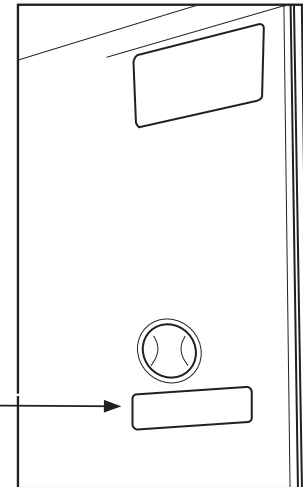
- La cafetera para cápsula es de uso seguro en lavavajillas. Para limpiarla, abra la tapa y coloque la cafetera para cápsula en el estante superior del lavavajillas, y use un ciclo de lavado normal.
- Asegúrese de que la cafetera para cápsula haya sido enjuagada completamente luego del lavado, a fin de eliminar cualquier residuo de jabón.
- Se recomienda la limpieza periódica del área de separación entre el dispensador y los muebles, ya que se pueden producir manchas por el uso de la cafetera con cápsulas.

## Comunicación del Electrodoméstico

### WiFi Connect (Conexión WiFi) (Para EE.UU., Territorios de EE.UU., y Canadá Únicamente) Conexión Wifi de Permitida\*

Si su refrigerador cuenta con una etiqueta con información del Electrodoméstico Conectado ubicada en la parte interior como se muestra, su refrigerador puede ser conectado a su red Wifi, permitiendo que se comunique a su teléfono inteligente para realizar monitoreo remoto, control y notificaciones. Dependiendo de cuál sea el modelo de su refrigerador, también puede contar con una tarjeta de comunicación Wifi incorporada en el producto, o un puerto para el Módulo Wifi ConnectPlus externo (se vende por separado). Para aprender más sobre las funciones del electrodoméstico conectado, visite [cafeappliances.com/connect](http://cafeappliances.com/connect), y para saber qué aplicaciones de electrodomésticos conectados funcionarán con su Teléfono Inteligente.

Connected Appliance Information	
Contains FCCID: ZKJ-WCATA003	Network: GE_MODULE_XXXX
Contains IC: 10229A-WCATA003	Password: XXXXXXXXX
MAC ID: D8-28-C9-XXXXXXXX	PT. NO. 257C2110G001



## INFORMACIÓN REGULATORIA

### Declaración de Cumplimiento con FCC/IC:

Este dispositivo cumple con la Parte 15 de las Reglas de la FCC. Su funcionamiento está sujeto a las dos siguientes condiciones:

1. Este dispositivo no causa interferencias perjudiciales, y
2. Este dispositivo debe aceptar cualquier interferencia recibida, incluidas las interferencias que puedan provocar un funcionamiento no deseado.

Este equipo fue probado y cumple con los límites establecidos para un dispositivo digital de clase B, según la parte 15 de la Normativa de la FCC. Estos límites fueron diseñados para brindar una protección razonable contra interferencias perjudiciales en una instalación residencial. Este equipo genera, usa y puede emitir energía de radiofrecuencia y, si no se instala y utiliza de acuerdo con las instrucciones, puede ocasionar interferencias perjudiciales sobre las comunicaciones radiales. Sin embargo, no se garantiza que no se presenten interferencias en una instalación en particular. Si el equipo provoca interferencias perjudiciales para la recepción de radio o televisión, lo que puede comprobar encendiendo y apagando el equipo, se aconseja al usuario que intente corregir la interferencia a través de una de las siguientes medidas:

- Reoriente o reubique la antena receptora.
- Aumente la separación entre el equipo y el receptor.
- Conecte el equipo a un tomacorriente de un circuito diferente al tomacorriente al cual se encuentra conectado el receptor.
- Para solicitar ayuda, consulte al proveedor minorista o a un técnico experimentado de radio/ TV.

**Etiqueta:** Las modificaciones sobre esta unidad no aprobadas expresamente por parte del fabricante podrían anular la autoridad del usuario para utilizar el equipo.

\*Modelos Selectos Únicamente



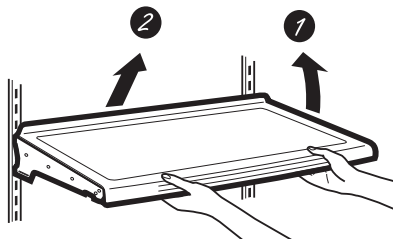
# Opciones de almacenamiento de comidas frescas

## Cómo Reorganizar los Estantes

Los estantes del compartimiento del refrigerador son ajustables.

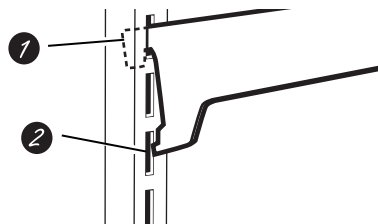
### Para retirar:

- 1 Retire todos los artículos del estante.
- 2 Inclíne el estante hacia arriba en la parte frontal.
- 3 Levante el estante hacia arriba desde la parte trasera y retire el mismo.



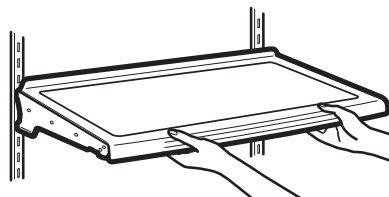
### Para reemplazar:

- 1 Al inclinar el estante hacia arriba, inserte el gancho superior en la parte trasera del estante en una ranura del soporte.
- 2 Inclíne hacia abajo la parte frontal del estante, hasta que la parte inferior del mismo quede bloqueada.



## Estantes a Prueba de Derrames

Los estantes a prueba de derrames poseen extremos especiales que ayudan a evitar derrames sobre estantes inferiores.

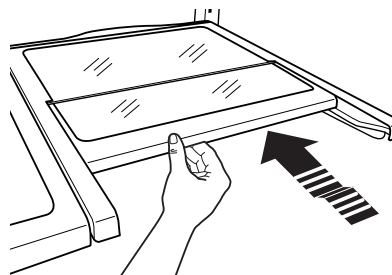


## Estante Quick Space\*

Este estante se divide a la mitad y se desliza por debajo de sí mismo para almacenar productos altos en el estante de abajo.

Este estante puede ser retirado y reemplazado o reubicado (al igual que los estantes a prueba de derrames).

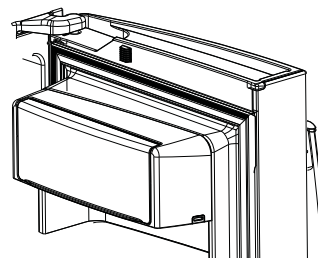
**NOTA:** La mitad trasera del Estante Quick Space no es ajustable.



## Recipiente de Lácteos No Ajustable\*

**Para retirar:** Levante el recipiente de forma recta y luego empuje hacia afuera.

**Para reemplazar:** Adhiera el recipiente en los soportes de puerta moldeados y empuje hacia abajo. El recipiente se bloqueará en el lugar. Lea la página 36.



\*Modelos Selectos Únicamente

# Opciones de almacenamiento de comidas frescas

## Recipientes Ajustables a la Puerta

Los recipientes ajustables pueden ser llevados fácilmente del refrigerador al área de trabajo.

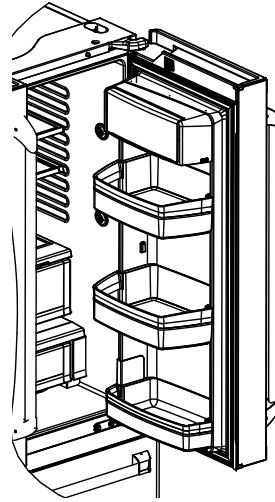
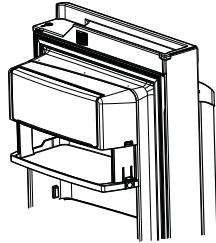
**Para retirar el mismo:** Levante el recipiente de forma recta y luego empuje hacia afuera.

**Para reemplazar o reubicar:** Deslice el recipiente justo sobre los soportes de puerta moldeados y empuje hacia abajo. El recipiente se bloqueará en el lugar.

### Bandeja desplegable \*

(bandeja abierta)

1. Abra la puerta derecha de comidas frescas.
2. Presione ambos botones en los lados inferiores del recipiente y este último se desplegará.
3. Dé vuelta para reinstalar.

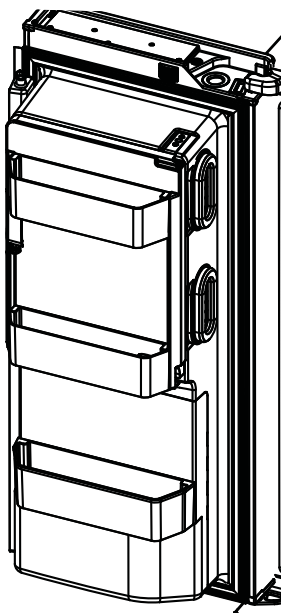


## Recipientes No Ajustables a la Puerta - (Modelos con Dispensador - Puerta Izquierda)

**Para retirar:** Levante el recipiente de forma recta y luego empuje hacia afuera.

**Para reemplazar:** Adhiera el recipiente en los soportes de puerta moldeados y empuje hacia abajo. Esto lo bloqueará en el lugar.

Los recipientes de la puerta de la máquina de hacer hielo no son intercambiables; observe la ubicación al realizar su retiro y reemplace el recipiente en su ubicación correcta.



## Modelos sin Dispensión (Puerta Izquierda)



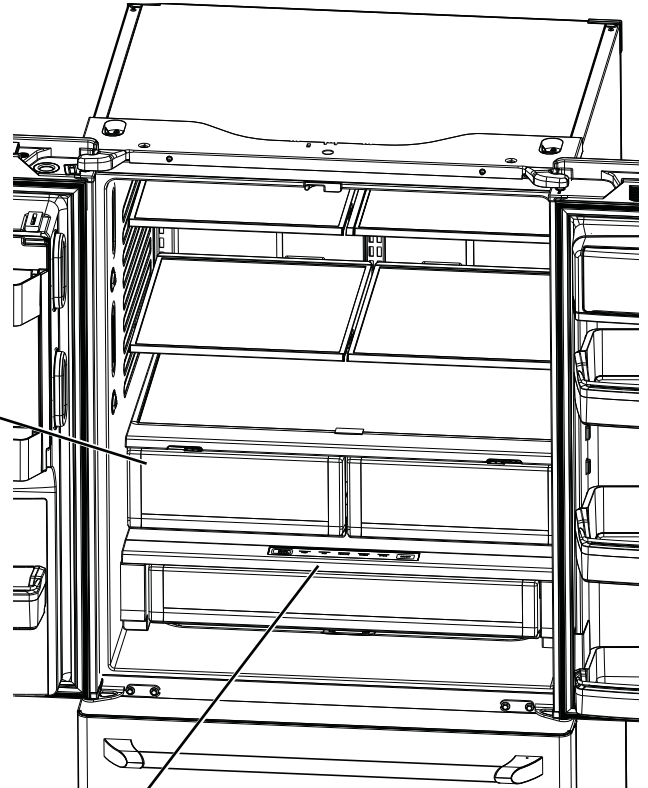
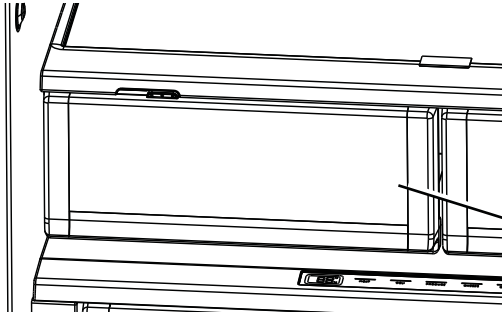
\*Modelos Selectos Únicamente

# Climate Zone & Cajón con Control de Temperatura

## ClimateZone

Mantenga las frutas y verduras organizadas en compartimientos separados para un fácil acceso.

El exceso de agua que se puede acumular en la parte inferior de los cajones o debajo de los mismos se deberá limpiar.

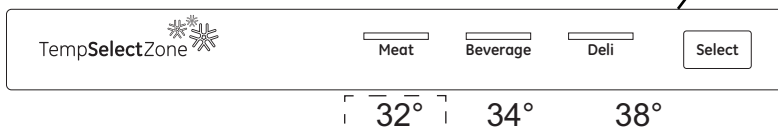


## Cajón con Control de Temperatura

El Cajón con Control de Temperatura es un cajón de anchura completa con control de temperatura ajustable. Este cajón puede ser usado para productos grandes de tipos variados.

Para cambiar la configuración, presione el botón de selección.

**Nota:** Las temperaturas indican las temperaturas adecuadas para la comida y la temperatura real puede variar de acuerdo con el funcionamiento normal y otros factores tales como aperturas de puertas y el punto de configuración de comidas frescas.



### ⚠ PRECAUCIÓN

#### Riesgo de Laceración.

No guarde botellas de vidrio en esta ubicación. Si están congeladas, se podrán romper y producir lesiones personales.

# Climate Zone & Cajón con Control de Temperatura

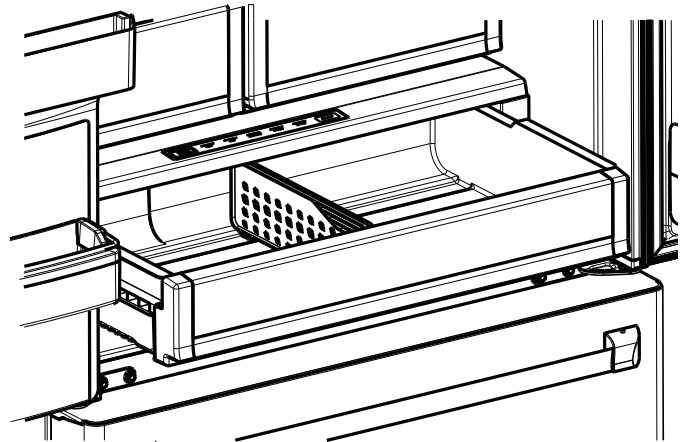
## Cómo Retirar y Reemplazar el Cajón

### Para retirar:

- 1 Empuje el cajón fuera de su posición final.
- 2 Levante la parte frontal del cajón hacia arriba y hacia afuera.

### Para reemplazar:

- 1 Empuje los costados izquierdo y derecho hasta que estén completamente extendidos.
- 2 Primero vuelva a colocar el cajón nuevamente y gire el mismo del frente hacia abajo para que se apoye en el deslizador.
- 3 Empuje el cajón hacia adentro hasta la posición cerrada.



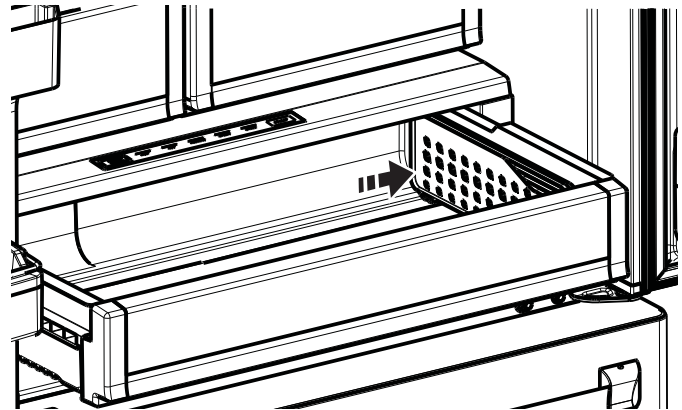
## Cómo Retirar y Reemplazar el Divisor del Cajón\*

### Para retirar:

- 1 Empuje el cajón fuera de su posición final.
- 2 Deslice el divisor de cacerolas hacia la derecha para liberar el mismo de la cacerola.

### Para reemplazar:

Invierta los pasos 1 y 2 para reemplazar el divisor del cajón.

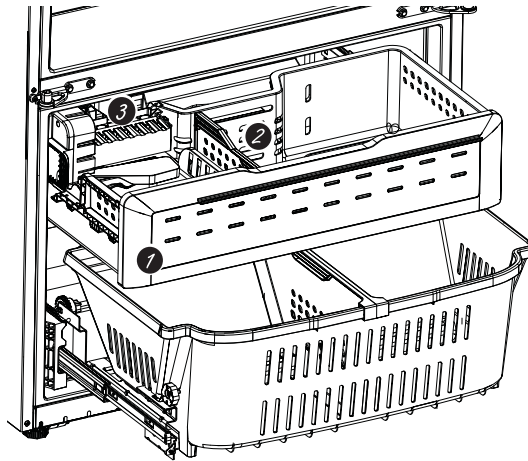


\*Modelos Selectos Únicamente

# Cestos, Cajones y Cubos

## Canasta y Cajón del Freezer

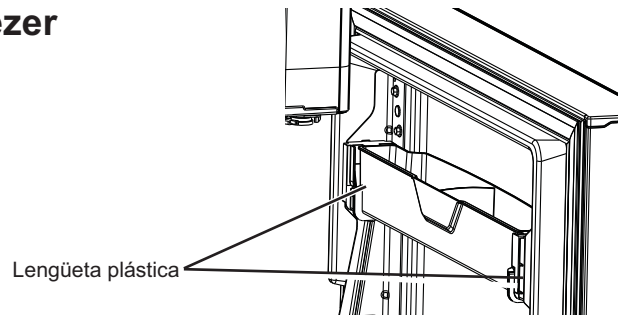
- ① Cesta
- ② Cajón
- ③ Hielera\*



## Recipiente No Ajustable en el Freezer

**Para retirar:** Empuje hacia adentro la lengüeta plástica, ya sea hacia la izquierda o la derecha.

**Para reemplazar:** Deslice el recipiente en la ubicación hasta que quede bloqueado.



## Retiro de la Cesto

**Para retirar, modelos CFE únicamente:**

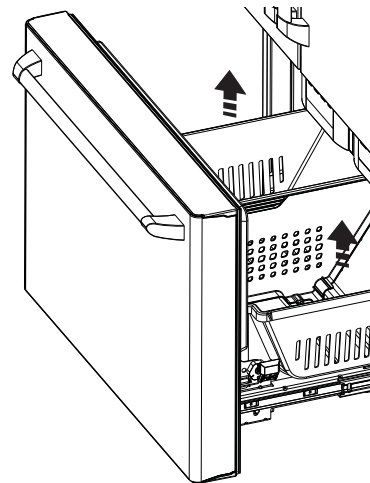
1. Abra la puerta del freezer hasta la posición de detención.
2. Retire el cubo de la puerta del freezer empujando la lengüeta de plástico tanto hacia la derecha como hacia la izquierda para liberar el perno de las bisagras del cubo.
3. Retire la canasta del freezer levantando su parte trasera y moviendo la misma hacia atrás hasta que el frente se pueda rotar hacia arriba y afuera.
4. Levante hacia afuera para retirar la misma.

**Para retirar los modelos CYE y CWE únicamente:**

1. Abra las puertas de alimentos frescos.
2. Abra la puerta del freezer hasta la posición de detención.
3. Retire la canasta del freezer levantando la parte trasera de la canasta y rotando la misma hacia arriba.
4. Levante hacia afuera y retire la misma.

**Para reemplazarla:**

Invierta el paso 1 al 4 para reemplazarla.



\*Modelos Selectos Únicamente

# Máquina de Hacer Hielo Automática

Puede llevar entre 12 y 24 horas que un refrigerador recién instalado comience a fabricar hielo.

## ⚠ ADVERTENCIA

Realice la conexión a un suministro de agua potable únicamente. Se requiere un suministro de agua fría para el funcionamiento de la máquina de hielos automática. La presión del agua deberá estar entre 40 y 120 psi (275-827 kilopascales).

## Máquina de Hacer Hielo Automática\*

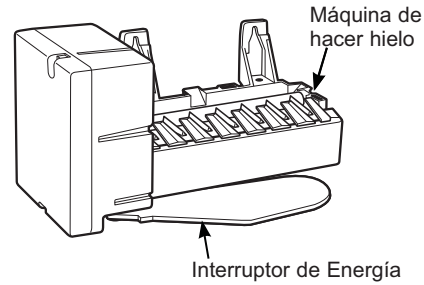
La máquina de hacer hielo producirá siete cubos por ciclo, y aproximadamente entre 100 y 130 cubos en un período de 24 horas, dependiendo de la temperatura del compartimiento del freezer, la temperatura ambiente, la cantidad de veces que se abra la puerta y otras condiciones de uso.

La máquina de hacer hielo se llenará de agua cuando se enfríe y llegue a los 15°F (-10°C). Puede llevar entre 12 y 24 horas que un refrigerador recién instalado comience a fabricar hielo.

Si el refrigerador es utilizado antes de realizar las conexiones de la tubería de agua a la unidad o si el suministro de agua a un refrigerador en funcionamiento es apagado, asegúrese de que la máquina de hacer hielo esté apagada. Una vez que el agua haya sido conectada al refrigerador, la máquina de hacer hielo podrá ser encendida. Para más detalles, lea la tabla que aparece más abajo.

Es posible que escuche un zumbido cada vez que la máquina de hacer hielo se llene de agua.

Descarte las primeras cantidades de hielo para permitir que el suministro de agua se despeje. Es normal que el hielo aparezca descolorado durante las primeras 24 horas de producción, o luego del reemplazo del filtro de agua.



Asegúrese de que nada interfiera con la extensión del brazo indicador.

Cuando el cubo se llene hasta el nivel del interruptor de energía, la máquina de hacer hielo dejará de producir hielo. Es normal que varios cubos queden juntos.

Si el hielo no se usa con frecuencia, los cubos de hielo viejos se volverán turbios, con sabor rancio y su tamaño se reducirá.

**NOTA:** En hogares con un nivel de presión inferior a la normal, es posible que escuche que la válvula de agua de la máquina de hacer hielo realice varios ciclos para producir una cantidad de hielo.

## ⚠ PRECAUCIÓN

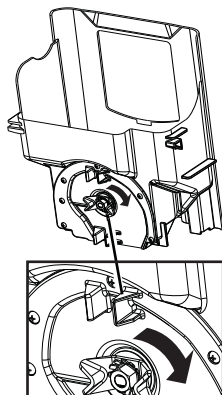
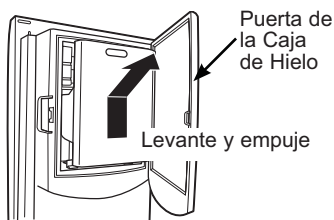
Para minimizar el riesgo de lesiones personales, evite el contacto con las partes móviles del mecanismo eyector o con el elemento de calefacción que libera los cubos. No coloque los dedos ni las manos en el mecanismo de la máquina de hielo automática mientras el refrigerador esté enchufado.

### Cómo Encender/ Apagar la Máquina de Hacer Hielo

Tipo de Pantalla (Lea la Página 8)	Nº de Modelo	Cómo Encender/ Apagar la Máquina de Hacer Hielo
Estilo de Control A	CYE/CFE	Use el menú de configuraciones en la pantalla táctil
Estilo de Control B	CWE	Use el botón "ICE MAKER" (Hielera) en el control

## Hielera y Dispensador\*

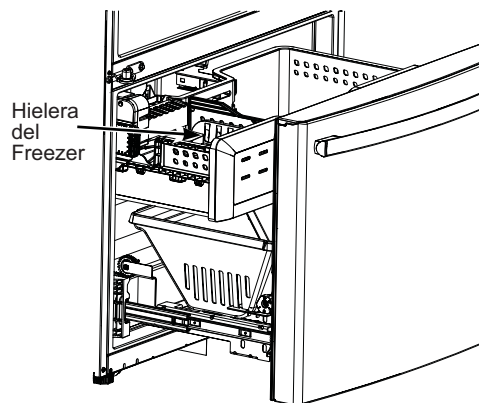
- Abra la puerta de la caja de hielos dentro de la puerta izquierda.
- Empuje hacia arriba y afuera la hielera en la puerta del lado izquierdo para retirar la misma del compartimento.
- Para reemplazar la hielera, ajuste la misma a los soportes de la guía y empuje hasta que la hielera se ubique correctamente.
- Si la hielera no se puede reemplazar, gire la horquilla de la hielera ¼ en dirección de las agujas del reloj.



## Hielera del Freezer\*

El almacenamiento de hielo se encuentra en el cajón del compartimento del freezer.

- Abra el cajón de freezer.
- La hielera se encuentra ubicada en el lado izquierdo de la canasta superior.
- Empuje la canasta superior hacia adelante para retirar la hielera.



\*Modelos Selectos Únicamente

# Cuidado y Limpieza

## Limpieza de la Parte Exterior.

### Instrucciones para la Limpieza de Superficies Exteriores, Manijas de Puertas y Bordes

USE	NO USE
Telas suaves y limpias o esponjas	Telas abrasivas, esponjas de fregar, almohadillas de estropajo o de lana de acero
<p>Detergente suave mezclado con agua caliente</p> <p>Limpiadores de acero inoxidable aprobados. Visite la tienda de piezas de Café Appliances para acceder a limpiadores de acero inoxidable aprobados: <a href="http://cafeappliances.com/parts">cafeappliances.com/parts</a>.</p> <p>Los limpiadores con ácido oxálico tales como Bar Keepers Friend Soft Cleanser™ podrán ser usados para eliminar el óxido, deslustres y pequeñas manchas de las superficies de acero inoxidable únicamente.</p>	<p>Polvos o rociadores abrasivos</p> <p>Rociadores de Ventana o Amoniaco</p> <p>Limpiadores a base de cítrico o aceite vegetal</p> <p>Limpiadores ácidos o a base de vinagre</p> <p>Limpiadores de horno</p> <p>Limpiadores que contengan acetona (propanona)</p> <p>Cualquier limpiador con ADVERTENCIAS sobre el contacto con el plástico</p>

**NOTA:** NO permita que el limpiador de acero inoxidable entre en contacto con cualquier parte plástica tal como partes de bordes, materiales de manijas y cobertores. Si se produce un contacto no intencional de los limpiadores con las partes plásticas, limpie estas últimas con una esponja y un detergente suave mezclado con agua caliente.

## Limpieza de la Parte Interior

### Desenchufe el refrigerador antes de limpiar.

Si esto no resulta práctico, estruje el exceso de humedad para eliminarlo de la esponja o tela al limpiar alrededor de los interruptores, luces o controles.

Use un pulidor de cera para electrodomésticos en la superficie interior entre las puertas.

Use agua caliente y solución de bicarbonato de sodio — aproximadamente una cucharada sopera (15 ml) de bicarbonato de sodio para un cuarto de galón (1 litro) de agua. Esto limpia y neutraliza los olores. Enjuague y seque.

### **⚠ PRECAUCIÓN**

No limpie estantes de vidrio ni tapas con agua caliente cuando estén fríos. Los estantes de vidrio y las tapas se pueden romper si son expuestos a cambios de temperatura repentinos o impactos tales como sacudones o caídas. El vidrio templado está diseñado para destruirse en pequeñas piezas en caso de rotura.

No lave ninguna parte plástica del refrigerador en la lavadora de platos.

## Detrás del Refrigerador

Tenga cuidado al alejar el refrigerador de la pared. Cualquier tipo de cobertura de piso puede ser dañada, particularmente las coberturas acolchonadas y aquellas con superficies con relieves.

Levante las patas niveladoras ubicadas en la parte frontal interior del refrigerador.

Empuje el refrigerador hacia afuera de forma recta y regrese el mismo a su posición empujándolo hacia adentro. Mover el

refrigerador hacia una ubicación lateral podrá ocasionar daños sobre la cobertura del piso o el refrigerador.

Baje las patas niveladoras hasta que toquen el piso.

### **⚠ ADVERTENCIA**



### **RIESGO DE DESCARGA**

**ELÉCTRICA** Al volver a empujar el refrigerador, asegúrese de que no atraviese el cable de corriente ni la tubería de suministro de agua.

# Cuidado y Limpieza

## Preparación para las vacaciones

Si estará de vacaciones o ausente por tiempo prolongado, retire la comida y desenchufe el refrigerador. Limpie el interior con una solución de bicarbonato de sodio de una cucharada sopera (15 ml) de bicarbonato de sodio para un cuarto de galón (1 litro) de agua. Deje las puertas abiertas.

**Modelos con LCD:** Apague el refrigerador del control (pág. 9).

Si la temperatura puede llegar a estar por debajo de la congelación, solicite a un técnico calificado que drene el sistema de suministro de agua a fin de prevenir daños graves sobre la propiedad debido a una inundación.

- 1) Apague el refrigerador (pág. 9) o desenchufe el refrigerador.
- 2) Vacíe la hielera
- 3) Cierre el suministro de agua

Si cierra el suministro de agua, apague la máquina de hacer hielo.

Al regresar de sus vacaciones:

- 1) Reemplace el filtro de agua.
- 2) Deje correr 7.57 litros (2 galones) de agua a través del dispensador de agua fría (aproximadamente 5 minutos) a fin de eliminar el aire del sistema.
- 3) Dispense agua caliente a 185°F 3 veces (10 onzas cada vez) para eliminar el aire del sistema.

## Preparación para la mudanza

Asegure todos los ítems tales como estantes y cajones, pegando los mismos de forma segura en sus respectivos lugares a fin de evitar daños.

Al usar un carro manual para mover el refrigerador, no deje que la parte frontal ni la parte trasera descansen contra el carro manual. Esto podría dañar el refrigerador.

Lleve el mismo sólo sobre los costados del refrigerador.

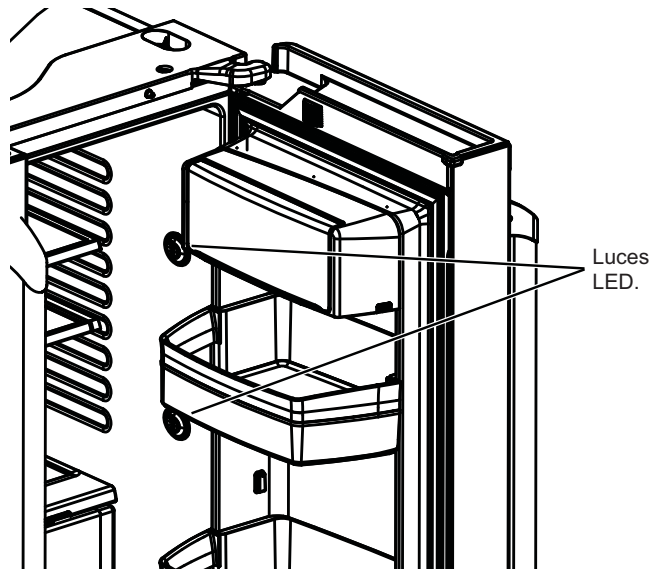
Asegúrese de que el refrigerador permanezca en una posición erguida durante el movimiento.

## Luces del Refrigerador (LEDs)

Hay una luz LED en el compartimiento de comidas frescas y en la parte inferior de las puertas de comidas frescas para iluminar el compartimiento del freezer.\*

Será necesario que un técnico autorizado reemplace las luces LED.

Si este montaje debe reemplazarse, programe el servicio en línea en [cafeappliances.com/service](http://cafeappliances.com/service).





# Instrucciones de Instalación

## Refrigerador Modelos Café™

¿Preguntas? Visite nuestro sitio web en: [cafeappliances.com](http://cafeappliances.com)

En Canadá, visite nuestro sitio web en: [cafeappliances.ca](http://cafeappliances.ca)

### ANTES DE COMENZAR

Lea estas instrucciones en su totalidad y atentamente.

#### ⚠ ADVERTENCIA



Riesgo de

#### Caída.

Si se incluye un soporte para piso antivibraciones con su refrigerador, instale el mismo a fin de evitar que el refrigerador se incline hacia adelante, lo cual podrá producir como resultado la muerte o lesiones graves. Lea y siga las instrucciones de instalación en su totalidad, a fin de instalar el soporte de piso antivibraciones embalado con su refrigerador.

- **IMPORTANTE** — Cumpla con todos los códigos y ordenanzas gubernamentales. Conserve estas instrucciones para uso del inspector local.
- Nota para el Instalador – Asegúrese de que el Consumidor conserve estas instrucciones.
- Nota para el Comprador – Conserve estas instrucciones para referencia futura.
- Nivel de habilidad – La instalación de este electrodoméstico requiere un nivel básico de habilidades mecánicas.
- Tiempo de Instalación – La instalación del refrigerador puede variar de acuerdo con la Instalación de la Tubería de Agua en unos 30 minutos
- La correcta instalación del producto es responsabilidad del instalador.
- Si se producen fallas en el producto debido a una instalación inadecuada la Garantía no cubrirá las mismas.

### PREPARACIÓN

#### CÓMO MOVER EL REFRIGERADOR EN UN ESPACIO INTERNO

Si el refrigerador no pasa por una puerta, la puerta del refrigerador y el cajón del freezer podrán ser retirados.

- Para retirar la puerta del refrigerador, consulte la sección Cómo Instalar el Refrigerador.
- Para retirar el cajón del freezer, consulte la sección Cómo Retirar el Cajón del Freezer.

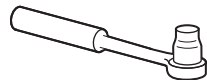
#### SUMINISTRO DE AGUA A LA MÁQUINA DE HACER HIELO Y EL DISPENSADOR

Si el refrigerador cuenta con una máquina de hacer hielo, deberá ser conectada al suministro de agua fría. Un kit de suministro de agua de Café (que contenga tubería, válvula de cierre, uniones e instrucciones) está disponible por un costo adicional a nivel minorista, visitando nuestro sitio web en [cafeappliances.com/parts](http://cafeappliances.com/parts). (en Canadá en [cafeappliances.ca/parts](http://cafeappliances.ca/parts).)

### HERRAMIENTAS QUE PUEDE NECESITAR



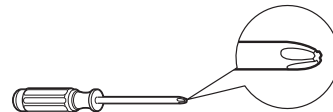
Llave Ajustable



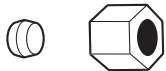
Trinquete / Destornillador de 3/8" Trinquete/ Llave Tubo de 8mm (5/16")



Llaves Allen de 1/8", 3/32", 1/4" y 5/32"



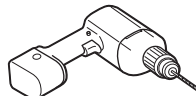
Destornillador con Cabeza Phillips



Tuerca de Compresión de Diámetro Externo y Abrazadera de Refuerzo (manga) de 1/4"



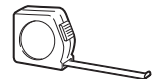
Lápiz



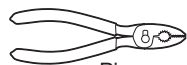
Broca y Taladro Eléctrico o Manual de 1/8"



Llave de Tuercas de 1/4"



Cinta métrica



Pinzas



Destornillador con cabeza aplanada



Llave Torx T20, T25

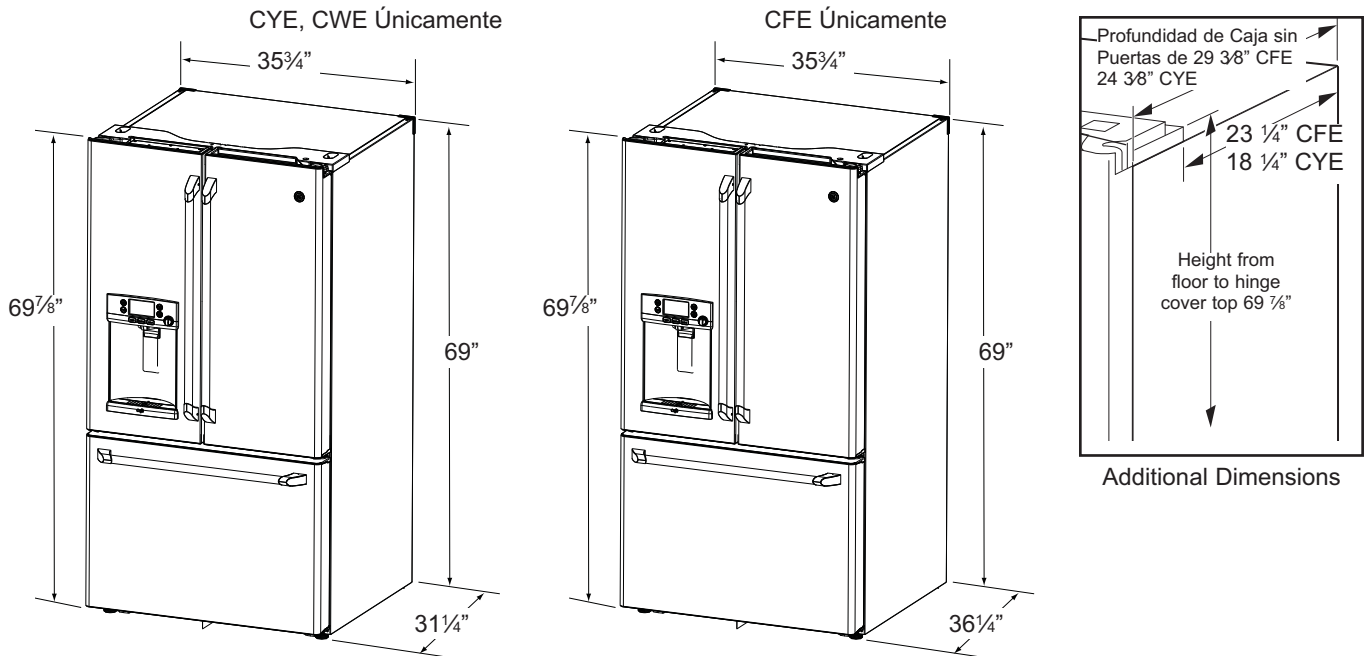


Nivel

# Instrucciones de Instalación

## DIMENSIONES

Todas las mediciones se dan con la pata niveladora completamente replegada.



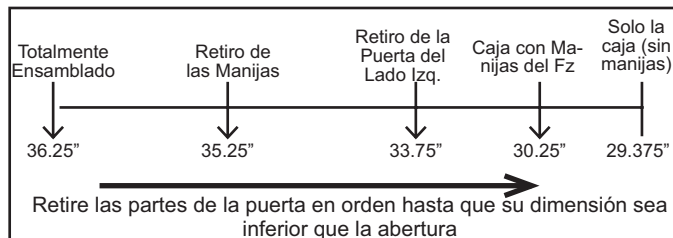
	CFE	CYE, CWE
Altura General a la Parte Superior de la Tapa de la Bisagra	69 7/8"	69 7/8"
Altura hasta la Parte Superior del Gabinete	69"	69"
Profundidad de la Caja sin Puerta	29 3/8"	24 3/8"
Ancho General de la Caja Exterior	35 3/4"	35 3/4"
Profundidad Exterior General de las Puertas/Cajones con Manijas	36 1/4"	31 1/4"

## CÓMO MOVER EL REFRIGERADOR

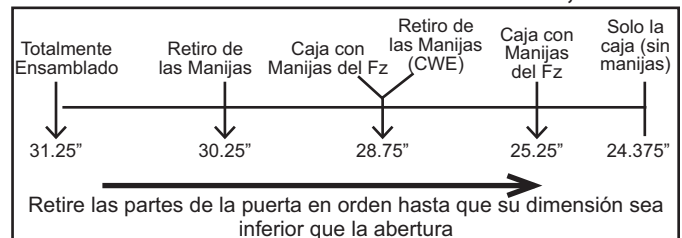
- Usando el siguiente cuadro, determine si el ancho de su pasillo es suficiente para la profundidad del refrigerador. Asegúrese de contar con espacio para evitar daños sobre el refrigerador antes de moverlo de forma segura hasta su ubicación final.
- Si los pasillos son lo suficientemente grandes como para ubicar el refrigerador sin retirar las manijas, continúe con el Paso 6. Deje la cinta, la envoltura y todo el embalaje en las puertas hasta que el refrigerador se encuentre en la ubicación final.

- **NOTA:** Use un carro manual con almohadillas o correas móviles para transportar el refrigerador. Coloque el refrigerador en el carro manual, apoyando un costado contra este último. Recomendamos enfáticamente que dos personas realicen el traslado y completen la instalación.

### Si su número de modelo comienza con CFE



### Si su número de modelo comienza con CYE, CWE



# Instrucciones de Instalación

## CÓMO INSTALAR EL REFRIGERADOR

### CÓMO INSTALAR EL REFRIGERADOR

- No instale el refrigerador donde la temperatura llegue a ser inferior a los 60°F (16°C), ya que no se activará con la frecuencia necesaria para mantener las temperaturas apropiadas.
- No instale el refrigerador donde la temperatura sea superior a los 100°F (37°C), ya que no funcionará de forma correcta.
- No instale el refrigerador en una ubicación expuesta al agua (lluvia, etc.) o en contacto directo con la luz solar.
- Instale el mismo en un piso lo suficientemente fuerte como para soportarlo completamente cargado.

### ESPACIO NECESARIO

Deje el siguiente espacio para facilitar la instalación, una adecuada circulación de aire y plomería y conexiones eléctricas.

Costados 1/8" (3 mm)

Parte superior Gabinete/ Tapa de la Bisagra de 1" (25 mm)

Parte trasera 2" (50 mm)

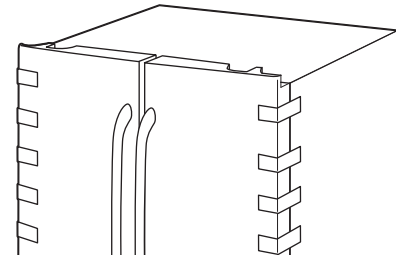
### CÓMO RETIRAR LAS PUERTAS DEL REFRIGERADOR

- **NOTA IMPORTANTE:** Este refrigerador posee una profundidad de 35 1/4" (30 1/4" para los modelos CYE, CWE) sin manijas. Las puertas y pasillos que conducen a la ubicación de la instalación deberán tener por lo menos 35 1/4" (30 1/4" para los modelos CYE, CWE) de ancho, a fin de poder dejar las puertas y manijas adheridas al refrigerador mientras se lo transporta hasta la ubicación de la instalación. Si los pasillos poseen menos de 35 1/4" (30 1/4" para los modelos CYE, CWE), las puertas y las manijas del refrigerador se podrán rayar y dañar fácilmente. La tapa superior y las puertas podrán ser retiradas, a fin de permitir que el refrigerador sea movido de forma segura en áreas interiores. Si los pasillos poseen menos de 35 1/4" (30 1/4" para los modelos CYE, CWE), comience por el Paso 1.
- Si no es necesario retirar las puertas, continúe con el Paso 11. Deje la cinta y todo el embalaje en las puertas hasta que el refrigerador se encuentre en su ubicación final.
- **NOTA:** Use un carro manual para transportar el refrigerador. Coloque el refrigerador en el carro manual, apoyando un costado contra este último. Recomendamos enfáticamente que DOS PERSONAS realicen el traslado y completen la instalación.

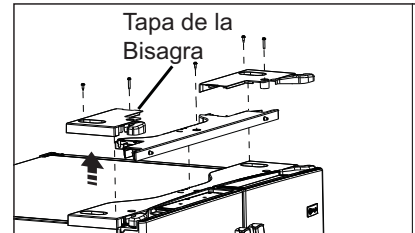
### 1 RETIRE LAS PUERTAS DEL REFRIGERADOR

**⚠ ADVERTENCIA** Siga todos los pasos para retirar y volver a instalar la puerta. Si no se siguen estas instrucciones, dejando piezas sin uso o ajustando tornillos en exceso, esto podrá hacer que la puerta se caiga y producir lesiones y daños sobre la propiedad.

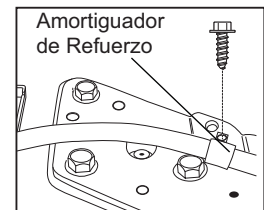
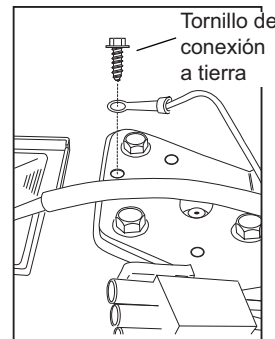
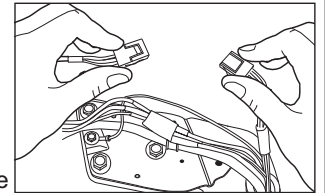
- A** De forma segura encinte el cierre de la puerta con cinta de mascarar o pida a otra persona que sostenga la puerta.



- B** Comience por la puerta del lado izquierdo: Retire la tapa de la bisagra en la parte superior de la puerta izquierda del refrigerador, retirando todos los tornillos hexagonales y empujando la misma hacia arriba. Haga lo mismo en la puerta derecha y en la tapa intermedia.



- C** Desconecte los dos conectores eléctricos en la tapa superior. Retire el tornillo de cabeza hexagonal de 1/4" para desconectar el cable a tierra de la bisagra. Retire el tornillo de cabeza hexagonal de 1/4" para retirar el amortiguador de refuerzo de la tubería de agua.

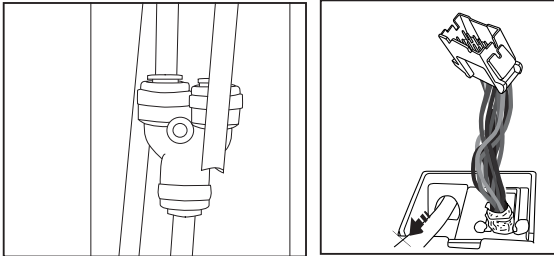


# Instrucciones de Instalación

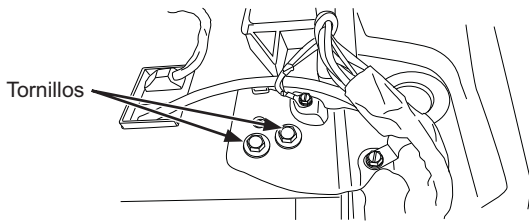
## CÓMO INSTALAR EL REFRIGERADOR (Cont.)

### 1 RETIRE LAS PUERTAS DEL REFRIGERADOR (cont.)

- D** Desconecte la tubería de agua de la parte trasera de la unidad, presionando hacia abajo el collar gris oscuro mientras levanta la tubería de agua. Coloque la línea de agua a través del conducto de la caja desde la parte superior para liberar la línea para el retiro de la puerta. La línea de agua tiene una longitud superior a 4" y es posible que se deba encintar a la Puerta para que esté accesible al reinstalar.



- E** Usando un trinquete/ llave tubo de 3/8" u 8mm (5/16"), retire los tornillos asegurando la bisagra superior al gabinete, luego levante la bisagra hacia arriba para liberar el perno de la bisagra de la ubicación en la parte superior de la puerta.



### **⚠ PRECAUCIÓN** Riesgo al levantar la puerta.

Si es levantada por una sola persona, podrían ocasionarse lesiones. Solicite ayuda al sostener, mover o levantar las puertas del refrigerador.

**NOTA:** Al retirar la puerta, a fin de evitar daños sobre la puerta y la parte electrónica, coloque con cuidado la puerta en una ubicación adecuada.

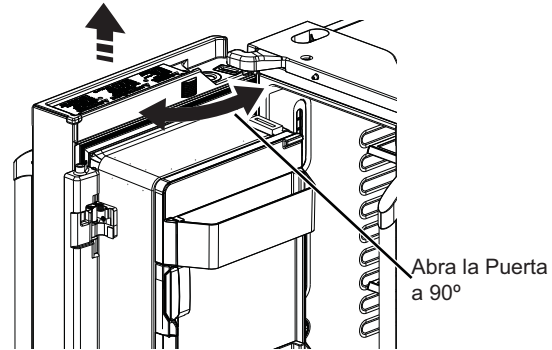
**NOTA:** En algunos modelos, el perno de la bisagra inferior de la puerta y la bisagra poseen tamaños proporcionales y se los debe hacer coincidir correctamente para que la puerta se cierre sola. Siga las instrucciones detenidamente.

### 1 RETIRE LAS PUERTAS DEL REFRIGERADOR (cont.)

**NOTA:** Para una instalación posterior adecuada, siga el siguiente paso de forma cuidadosa.

- F** Las puertas de comidas frescas se deben RETIRAR e INSTALAR abiertas a 90° con la caja hacia el frente.

Levante la bisagra central hacia arriba y afuera

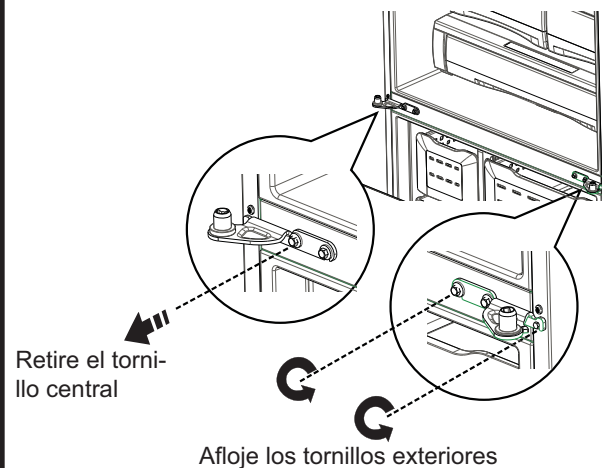


### RETIRE LA PUERTA OPUESTA

Siga el mismo procedimiento en la puerta opuesta. No hay cables ni líneas de agua en el lado opuesto.

### 2 RETIRE LA BISAGRA CENTRAL (si es necesario)

Retire los tornillos que aseguran la bisagra central al gabinete. Para el tornillo interior más grande es necesario que posea 3/8", 8mm (5/16"), Phillips n°2, o T27. Los tornillos exteriores más pequeños requieren un destornillador de 1/4" o una llave Torx T25.



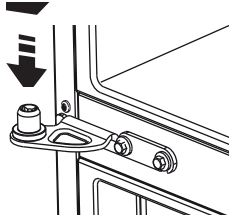
# Instrucciones de Instalación

## CÓMO INSTALAR EL REFRIGERADOR (Cont.)

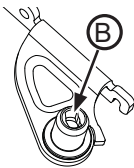
### 3 REINSTALACIÓN DE LAS PUERTAS DEL REFRIGERADOR

Invierta los pasos 1 a 4 para reinstalar el refrigerador, siga los detalles que figuran a continuación para conocer las alineaciones críticas.

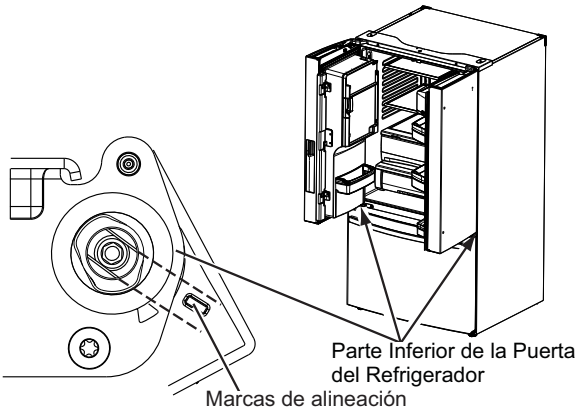
- A** Reinstale la bisagra central primero y ajuste los tornillos grandes hasta 65 pulg./libras (7.34 N-m) y el tornillo pequeño hasta 25 pulg./libras (2.82 N-m). Dándole al tornillo un 1/3 de giro luego de que quede nivelado con la superficie de contacto se lograrán realizar estos giros.



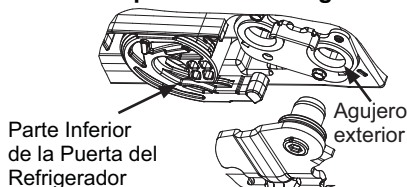
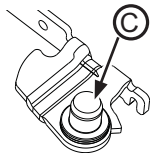
- B** Si la bisagra del refrigerador posee una ranura parecida a la imagen B sobre la derecha, siga los pasos que figuran más abajo. De otro modo, diríjase al paso C.



Con la puerta LH a más de 90° hacia el frente de la caja, baje la puerta del refrigerador. Asegúrese de que la puerta y la bisagra se alineen correctamente. Gire la puerta hasta cerrarla y asegúrese de que la parte sellada del centro móvil de la puerta se alinee con el cerradero. Si la puerta no puede ser instalada a 90°, siga estos próximos pasos. Instale la puerta a 90° del frente de la caja. Si el espacio o el modelo limita la apertura de la puerta a menos de 180°, retire la puerta y con cuidado dé vuelta la misma. Controle la alineación de la puerta. Hay una marca de alineación en el mecanismo de cierre de la puerta que coincide con una marca de alineación sobre la tapa del extremo inferior. Gire el mecanismo de cierre de la puerta para alinear la marca y la flecha.



- C** Si la bisagra de su refrigerador no posee una ranura y se parece a la imagen C de la derecha, entonces simplemente baje el agujero exterior de la puerta sobre el perno de la bisagra.

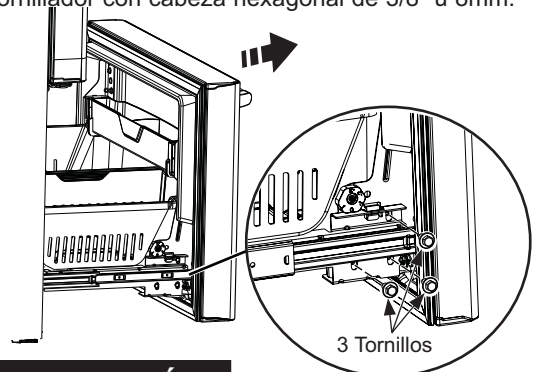


### 3 REINSTALACIÓN DE LAS PUERTAS DEL REFRIGERADOR (cont.)

- D** De forma segura encinte el cierre de la puerta con cinta de mascarar o pida a otra persona que sostenga la puerta.
- E** Siga el mismo procedimiento para instalar la puerta opuesta. No hay cables, tuberías de agua de tapas de bisagras centrales en la puerta opuesta.
- F** Asegúrese de reinstalar el cable a tierra y el amortiguador de refuerzo a la bisagra superior.
- G** Vuelva a instalar la tapa de la bisagra. **NOTA:** Asegúrese de que los cables no sufran cortes ni queden debajo de tornillos antes de ajustar estos últimos.

### 4 RETIRE LA PUERTA DEL FREEZER

- A** Abra la puerta del freezer hasta su extensión completa.
- B** Retire los 3 tornillos adheridos, ubicados en la parte inferior a cada lado de la puerta del freezer usando un destornillador con cabeza hexagonal de 3/8" u 8mm.

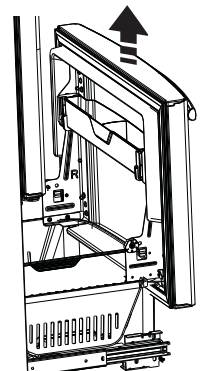


**⚠ PRECAUCIÓN** Riesgo al levantar la puerta La puerta del freezer es pesada. Use ambas manos para asegurar la puerta antes de levantar la misma.

- C** Levante la puerta del freezer para desconectarla del mecanismo de deslizamiento.

La puerta puede descansar de forma segura en la parte inferior. No apoye la puerta sobre ninguna otra superficie a fin de evitar rayones.

Haga retroceder el mecanismo de deslizamiento completamente hasta que se repliegue.

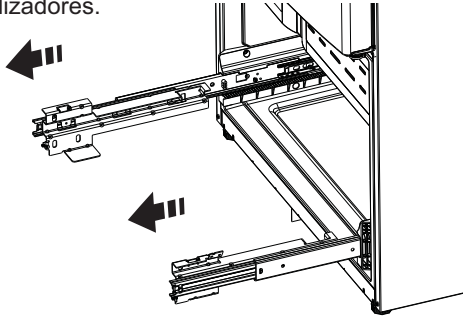


# Instrucciones de Instalación

## CÓMO INSTALAR EL REFRIGERADOR (Cont.)

### 5 REEMPLAZO DE LA PUERTA DEL FREEZER

- A** Empuje el mecanismo de deslizamiento hasta su extensión completa usando ambas manos de forma simultánea.
- B** Retire la canasta que se apoya sobre los deslizadores.

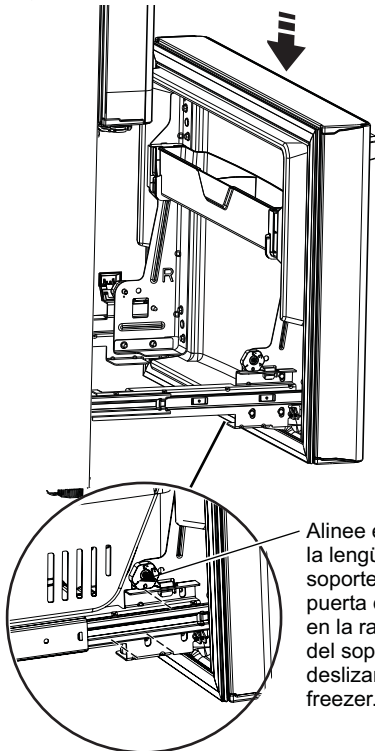


#### ⚠ PRECAUCIÓN

**Riesgo al levantar la**

**puerta** La puerta del freezer es pesada. Use ambas manos para asegurar la puerta antes de levantar la misma.

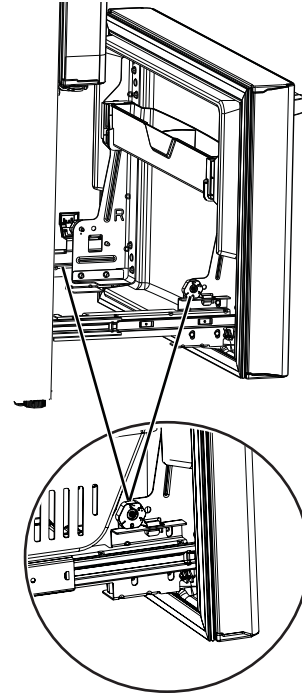
- C** La puerta del freezer es pesada. Use ambas manos para asegurar la puerta antes de levantar la misma.



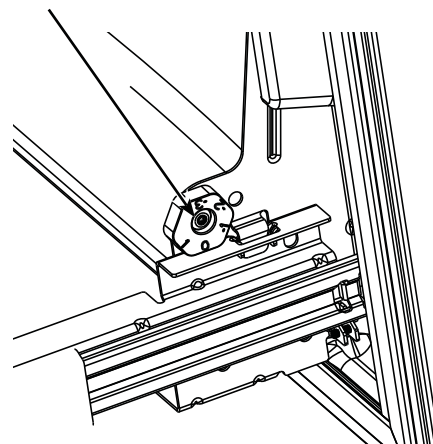
Alinee e inserte la lengüeta del soporte de la puerta del freezer en la ranura del soporte de deslizamiento del freezer.

- D** Reemplace los tornillos adheridos y ajuste los tornillos con giros de torsión de 65 libras pulgada (7.34 N-m).
- E** Para ajustar los espacios de la puerta del freezer, siga las instrucciones de la página 30.
- F** Reemplace la canasta.

### 6 NIVELACIÓN DE LA PUERTA DEL FREEZER



- A** Ubique la leva de ajuste de altura en la puerta del freezer. Lentamente afloje los tres tornillos de ajuste de la puerta a ambos lados usando una llave tubo hexagonal de 3/8" u 8mm (5/16").
- B** Ubique y afloje el tornillo de leva usando una llave Torx T27 Torx o una llave tubo de 8mm (5/16").



# Instrucciones de Instalación

## CÓMO INSTALAR EL REFRIGERADOR (Cont.)

### Instrucciones para ajustar los espacios de la puerta del freezer:

#### ¡IMPORTANTE!

Los 6 tornillos de montaje (3 en cada lado) **NO** son intercambiables con los tornillos de la bisagra central o superior.

Luego de la instalación de la puerta del freezer, controle que los espacios sean uniformes (la parte superior e inferior del lado derecho e izquierdo) con la plantilla provista.

En caso de espacios excesivos siga los siguientes pasos para ajustar la puerta del freezer.

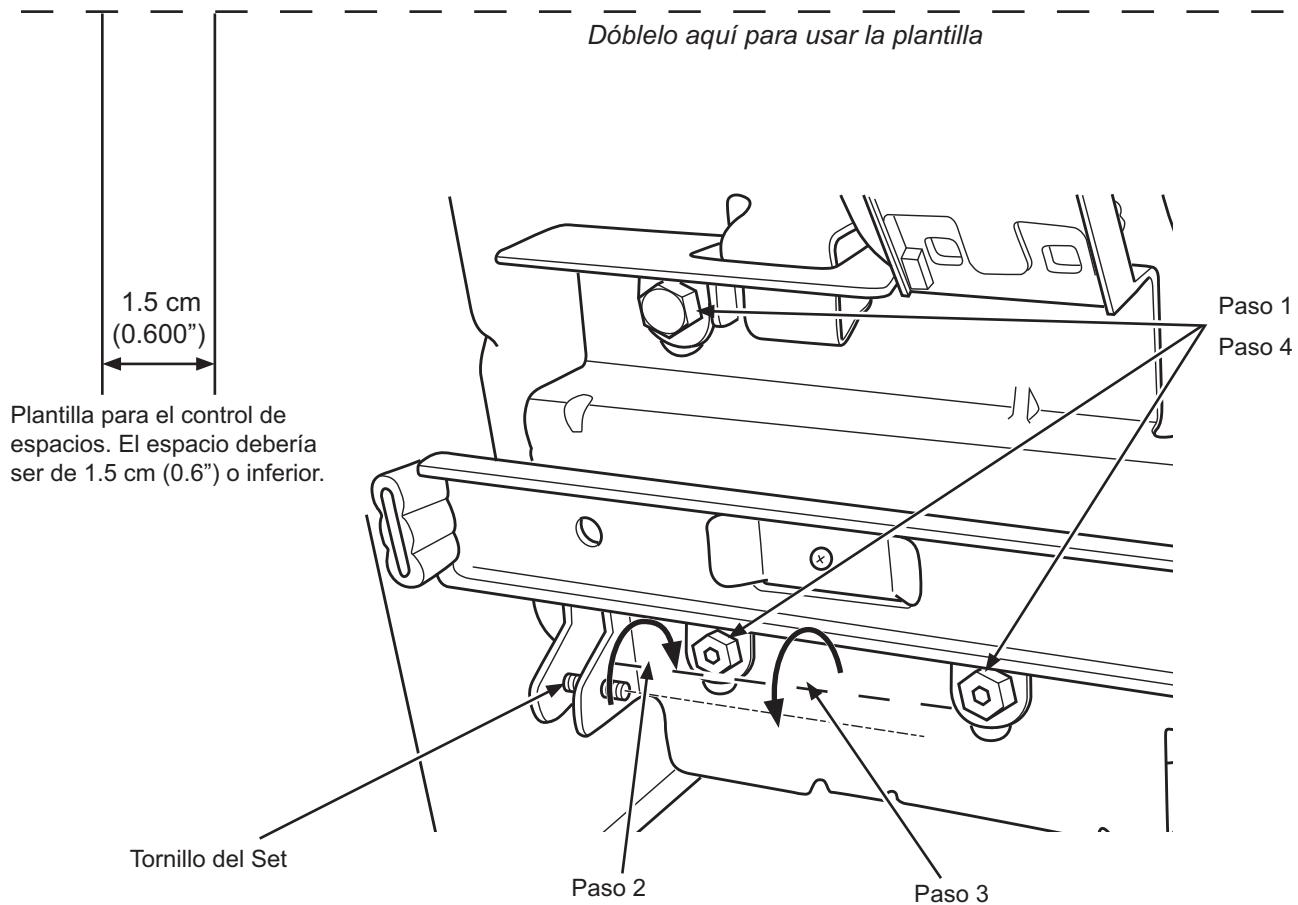
**Paso 1** – Afloje los 3 tornillos a cada lado (derecha e izquierda) de la puerta del freezer.

**Paso 2** – Ajuste el tornillo del set en dirección de las agujas del reloj si el espacio en la parte superior es demasiado grande (vea la plantilla). Gire el tornillo del set usando una llave hexagonal de 3/32" en dirección de las agujas del reloj con una rotación de un cuarto hasta la mitad.

**Paso 3** – Ajuste el tornillo del set en dirección contraria a las agujas del reloj si el espacio en la parte inferior es demasiado grande (vea la plantilla). Gire el tornillo del set usando una llave hexagonal de 3/32" en dirección contraria a las agujas del reloj con una rotación de un cuarto hasta la mitad.

**Paso 4** – Ajuste los 3 tornillos a cada lado (derecha e izquierda).

**Paso 5** – Vuelva a controlar los espacios usando la plantilla y repita los pasos 1 a 4 si se requiere y complete con el paso 5.

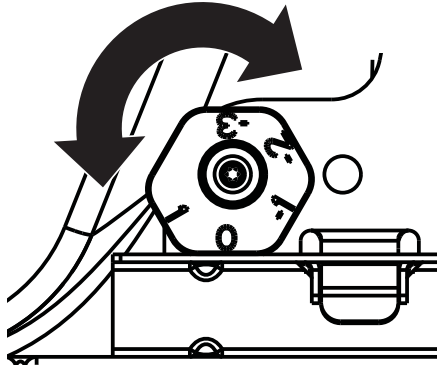


# Instrucciones de Instalación

## CÓMO INSTALAR EL REFRIGERADOR (Cont.)

### 6 NIVELACIÓN DE LA PUERTA DEL FREEZER (cont.)

- A** Levante la puerta del lado que requiera ajustes, gire la leva hacia la posición requerida.



- 0 - Posición inicial
- 1 - Levante de a 0.127 cm (0.050")
- 1 - Baje de a 0.127 cm (0.050")
- 2 - Baje de a 0.254 cm (0.100")
- 3 - Baje de a 0.381 cm (0.150")

- B** Luego del ajuste tense los 3 tornillos de ajuste usando hasta 65 libras pulgada.

### 7 INSTALACIÓN DE LAS MANIJAS DEL REFRIGERADOR Y DEL FREEZER

#### Antes de Comenzar...

- Para evitar lesiones, use un calzado cerrado en la parte de los dedos de los pies al instalar las manijas.
- Al instalar la manija, tome la misma de manera firme para asegurarse de que no caiga ni raye el acabado del electrodoméstico.
- **IMPORTANTE:** Para asegurarse de que las manijas se encuentren instaladas de forma precisa, por favor revise las instrucciones y gráficos antes de comenzar con las instalación.
- **IMPORTANTE:** No use herramientas eléctricas para colocar los tornillos de ajuste.

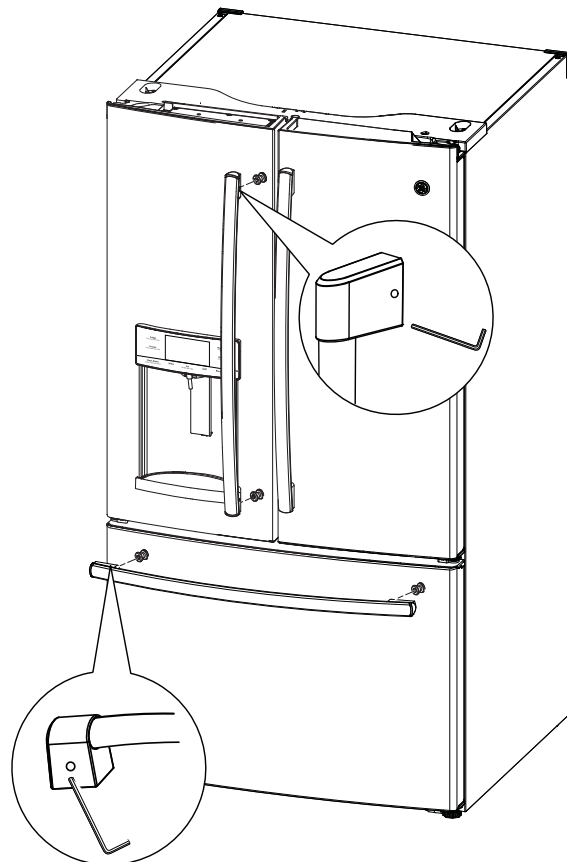
#### Herramientas Provistas:

- Llave hexagonal de 1/8"

### 7 INSTALACIÓN DE LAS MANIJAS DEL REFRIGERADOR Y DEL FREEZER (CONT.)

La estética de las manijas podrá variar de acuerdo al modelo; sin embargo, el proceso de instalación es el mismo.

- A** Retire cualquier película protectora de los frentes de puertas o cajones antes de realizar la instalación de las manijas (si corresponde).
- B** Retire la manija del embalaje y encuentre la llave hexagonal de 1/8" provista.
- C** Coloque la manija sobre los suspensores de montaje hasta que se encuentre nivelada contra la superficie de la puerta.
- D** Ajuste ambos tornillos en las capas de terminación de la manija, girando la llave hexagonal 1/8" en sentido horario, hasta que la manija deje de estar floja o caiga de su montaje. Aún no ajuste completamente.
- E** **IMPORTANTE:** Sostenga la manija de manera firme contra la puerta, asegúrese de que no haya brechas entre las tapas de terminación de la manija y la puerta, y entonces ajuste completamente los tornillos. Para retirar las manijas, invierta el proceso de instalación.





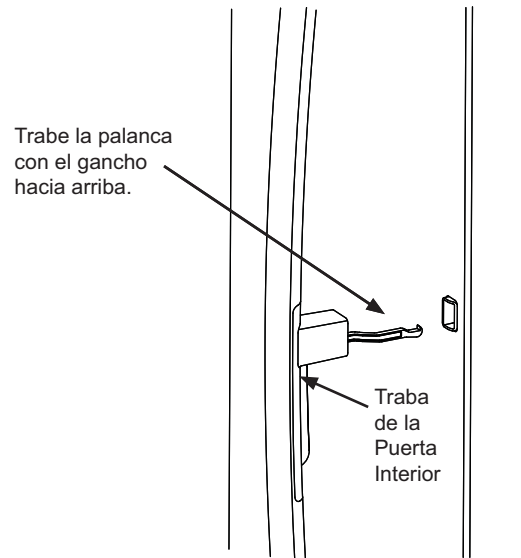
# Instrucciones de Instalación

## CÓMO INSTALAR EL REFRIGERADOR (Cont.)

### 7 INSTALACIÓN DE LA MANIJA DEL REFRIGERADOR PARA MODELOS CON PUERTA INTERIOR (CONT.)

La estética de las manijas podrá variar de acuerdo al modelo; sin embargo, el proceso de instalación es el mismo.

- A** Retire cualquier película protectora de los frentes de puertas o cajones antes de realizar la instalación de las manijas (si corresponde). **No retire la cinta que asegura la puerta interior con relación a la puerta exterior hasta haber instalado la manija.**
- B** Retire la manija del embalaje y encuentre la llave hexagonal de 1/8" provista.
- C** Alinee la palanca con la abertura sobre la puerta exterior. Asegúrese de que el gancho apunte hacia arriba.
- D** Inserte la palanca de la traba en la abertura y coloque la manija sobre los suspensores de montaje hasta que quede nivelada contra la superficie de la puerta.
- E** Ajuste ambos tornillos en las capas de terminación de la manija, girando la llave hexagonal 1/8" en sentido horario, hasta que la manija deje de estar floja o caiga de su montaje. Aún no ajuste completamente.
- F** **IMPORTANTE:** Sostenga la manija de manera firme contra la puerta, asegurándose que no haya brechas entre las tapas de terminación de la manija y la puerta, y entonces ajuste completamente los tornillos. Para retirar las manijas, invierta el proceso de instalación.



# Instrucciones de Instalación

## CÓMO INSTALAR EL REFRIGERADOR (Cont.)

### SOPORTE DE PISO ANTI-VOLCADURAS (Si se Requiere)


**⚠ ADVERTENCIA**  **Riesgo de Caída.**





Si se incluye un soporte para piso antivolcaduras con su refrigerador, instale el mismo a fin de evitar que el refrigerador se incline hacia adelante, lo cual podrá producir como resultado la muerte o lesiones graves. Lea y siga las instrucciones de instalación en su totalidad, a fin de instalar el soporte de piso antivolcaduras embalado con su refrigerador.

**NOTA:**  
 Si el soporte antivolcaduras incluido con su refrigerador está dañado o se perdió, visítenos a través de Internet en [cafeappliances.com/parts](http://cafeappliances.com/parts) para recibir uno sin costo. (En Canadá, [cafeappliances.ca/parts](http://cafeappliances.ca/parts).)  
 Para acceder a instrucciones sobre el soporte, visite: [cafeappliances.com/literature](http://cafeappliances.com/literature). (En Canadá, [cafeappliances.ca/literature](http://cafeappliances.ca/literature).)

**MATERIALES QUE PUEDE NECESITAR**  
 (no incluido)



Tirafondos  
1/4" (6 mm) x 1-1/2" (38 mm)



Casquillos de Anclaje  
1/2" (12 mm) Diámetro Exterior

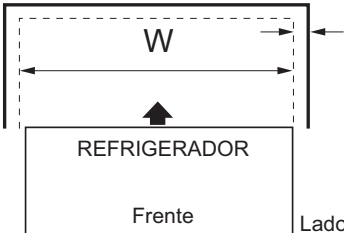
Broca para Taladro Apropiaada para Anclajes  
 Para Soporte Anti-Volcaduras Montado en Pisos de Concreto Únicamente

**AT-1 MIDA LA ABERTURA DEL GABINETE DISPONIBLE VS. EL ANCHO DEL REFRIGERADOR**

Mida el ancho de la abertura del gabinete donde será ubicado el refrigerador, W.

Asegúrese de contar con espacio por encima de la mesada, grosor en el rodapié y cualquier despeje deseado. El ancho, W, no debería ser inferior a 36". El refrigerador será ubicado aproximadamente en el medio de esta abertura. approximately in the middle of this opening.

Pared Trasera



W

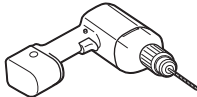
REFRIGERADOR

Frente

Lado Derecho

El Grosor del Rodapié o el Espacio Encima de la Mesada (Cualquiera Sea Más Grande) Además de Cualquier Despeje Deseado


**HERRAMIENTAS NECESARIAS**



Broca y Taladro Eléctrico o Manual de 1/8" (3 mm)



Cinta métrica



Lápiz

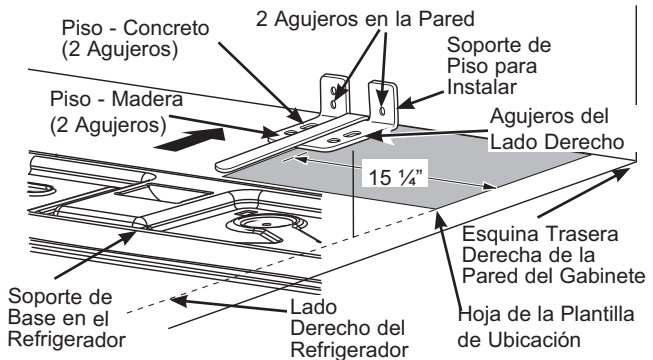


Llave de tuercas de 5/16" (8 mm)

**AT-2 UBICACIÓN DEL SOPORTE DE PISO ANTI-VOLCADURAS**

**A** Coloque la plantilla de ubicación del soporte de piso anti-volcaduras (incluido dentro del kit anti-volcaduras) sobre el piso contra la pared trasera, dentro de W, y alineado con la ubicación deseada del lado derecho del refrigerador (vea la Figura 1).

Figura 1 – Visión General de Instalación



**B** Coloque el soporte para piso anti-volcaduras en la plantilla de ubicación con sus agujeros para piso del lado derecho alineado con los agujeros del piso indicados en la hoja de la plantilla, aproximadamente 15 1/4" desde el extremo de la hoja o del lado derecho del refrigerador.

**C** Sostenga en la posición y use el soporte para piso anti-volcaduras como una plantilla para hacer los agujeros, basados en su configuración y tipo de construcción como se muestra en el Paso 3. Marque las ubicaciones de los agujeros con un lápiz, clavo o punzón.

**NOTA:**

- Se **REQUIERE** el uso de por lo menos 2 tornillos para montar el soporte (uno a cada lado del soporte para piso anti-volcaduras). Ambos deben estar en la pared o en el piso. La figura 2 indica todas las configuraciones de montaje aceptables para los tornillos. Identifique los agujeros de los tornillos en el soporte para piso anti-volcaduras para su configuración.

# Instrucciones de Instalación

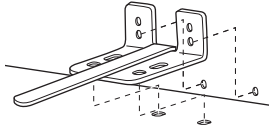
## CÓMO INSTALAR EL REFRIGERADOR (Cont.)

### SOPORTE DE PISO ANTI-VOLCADURAS (De Ser Requerido)

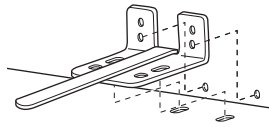
#### AT-2 UBICACIÓN DEL SOPORTE DE PISO ANTI-VOLCADURAS (cont.)

Figura 2 – Ubicaciones Aceptables para la Colocación de Tornillos

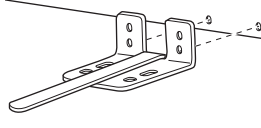
Instalación Recomendada - Madera



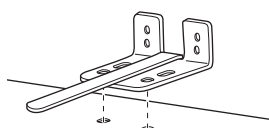
Instalación Recomendada - Concreto



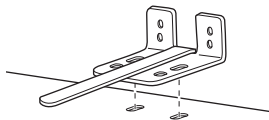
Mínimo Aceptable N° 2 – Piso de Madera



Mínimo Aceptable N° 2 – Piso de Madera



Mínimo Aceptable N° 2 – Piso de Madera



#### B Construcción del Piso y la Pared de **CONCRETO**:

- Se requiere el uso de anclajes (no provistos): 4 tirafondos cada uno de 1/4" (6 mm) x 1-1/2" (38 mm) 4 sujetadores de manga cada uno de 1/2" (12 mm) de diámetro exterior
- Realice los agujeros usando los tamaños recomendados para los anclajes en el concreto sobre el centro de los agujeros marcados en el Paso 2.
- Instale los sujetadores de mangas en los agujeros perforados. Coloque el soporte de piso anti-volcaduras como se indica en el Paso 2. Retire la plantilla de ubicación desde el piso.
- Instale los tirafondos a través del soporte para piso anti-volcaduras y ajuste los mismos de forma apropiada.

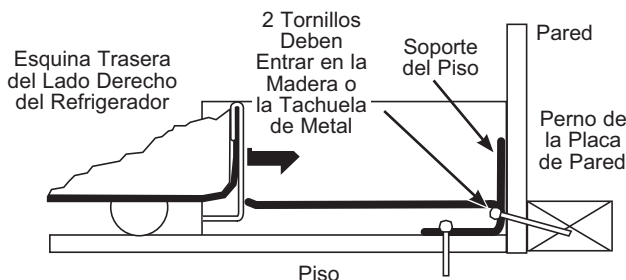
#### C Construcción del Piso de **MOSAICO** y la Pared de **MADERA**:

- Para este caso especial, ubique los 2 orificios de pared identificados en la Fig. 2. Perfore un orificio piloto de 1/8" (3 mm) en ángulo (aprox. como se indica en la Fig. 3) en el centro de cada orificio.
- Monte el soporte para piso anti-volcaduras usando la Instalación Mínima Aceptable n° 1, como se ilustra en la Figura 2.

#### AT-3 INSTALACIÓN DEL SOPORTE ANTI-VOLCADURAS

- A** Construcción del Piso y la Pared de **MADERA**:
- Realice la cantidad apropiada de agujeros de prueba de 1/8" (3 mm) en el centro de cada agujero de soporte del piso que se usará (se podrá usar un clavo o punzón si no se cuenta con una broca) Y retire la plantilla de ubicación del piso.
  - Monte el soporte para piso anti-volcaduras ajustando los 2, o se recomienda 4, tornillos de cabeza hexagonal n° 10-16 de forma ajustada en cada lugar como se ilustra en la Figura 3.

Figura 3 – Ajuste a la Pared y el Piso



#### AT-4 CÓMO POSICIONAR EL REFRIGERADOR PARA ADHERIR LOS SOPORTES DEL PISO ANTI-VOLCADURAS Y DE LA BASE

- A** Antes de empujar el refrigerador hacia la abertura, enchufe el cable de corriente en el receptáculo y conecte el suministro de agua (si está equipado). Controle que no haya pérdidas.
- B** Ubique el lado derecho del refrigerador y mueva el mismo hacia atrás aproximadamente en línea con el lado derecho de la abertura del gabinete, W. Esto debería posicionar el soporte del piso anti-volcaduras, a fin de adherir la base anti-volcaduras con el refrigerador.
- C** De forma suave haga girar el refrigerador nuevamente hacia el gabinete, abriendo el mismo hasta que se detenga completamente. Controle que el frente del refrigerador se alinee con la cara frontal del gabinete. Si no es así, con cuidado mueva el refrigerador hacia adelante y atrás hasta que se produzca la adherencia y observe que el refrigerador esté completamente apoyado sobre la pared trasera.
- D Si Corresponde:** Realice los ajustes de altura de las ruedas traseras (y frontales) para adherir completamente los soportes anti-volcaduras traseros, mientras también alinea el frente del refrigerador con la cara frontal del gabinete.

**NOTA:** Si empuja el refrigerador hacia afuera y lo aleja de la pared por alguna razón, asegúrese de que el soporte para piso anti-volcaduras esté adherido cuando el refrigerador es empujado hacia atrás contra la pared trasera.

# Instrucciones de Instalación

## CÓMO INSTALAR EL REFRIGERADOR (Cont.)

### 9 CÓMO CONECTAR EL REFRIGERADOR AL SUMINISTRO DE AGUA DEL HOGAR

Se requiere un suministro de agua fría para el funcionamiento de la máquina de hielo automática. Si no se cuenta con un suministro de agua fría, deberá proveer uno. Consulte la sección sobre Cómo Instalar el Suministro de Agua.

#### NOTAS:

- Antes de realizar la conexión al refrigerador, asegúrese de que el cable de corriente del mismo no se encuentre enchufado al tomacorriente.
- Si su refrigerador no cuenta con un filtro de agua, le recomendamos que instale uno si el suministro de agua posee arena o partículas que podrían atascar la rejilla de la válvula de agua del refrigerador. Instale el mismo en la tubería de agua más cercana al refrigerador. Si usará el Kit de Tuberías para Refrigeradores de SmartConnect™, necesitará una tubería adicional (WX08X10002) para realizar la conexión al filtro. No corte la tubería de plástico para instalar el filtro.
- Antes de conectar la tubería de agua al hogar, purgue la cañería del hogar durante por lo menos 2 minutos.

- A** Si usará una tubería de cobre, coloque una tuerca de compresión y una abrazadera de refuerzo (mango) en el extremo de la tubería proveniente del suministro de agua fría del hogar.
- Si usará tuberías de SmartConnect™, las tuercas ya están ensambladas en la tubería.

- B** Si usará tuberías de cobre, inserte el extremo de la tubería en la conexión del refrigerador, en la parte trasera del refrigerador, lo más lejos posible. Al sostener la tubería, ajuste la unión.

Si usará tuberías de SmartConnect™, inserte el extremo moldeado de la tubería en la conexión del refrigerador, en la parte trasera del refrigerador, y ajuste la tuerca de compresión hasta que quede ajustada manualmente. Luego realice un ajuste adicional con un giro de llave. Un ajuste excesivo podrá ocasionar pérdidas.

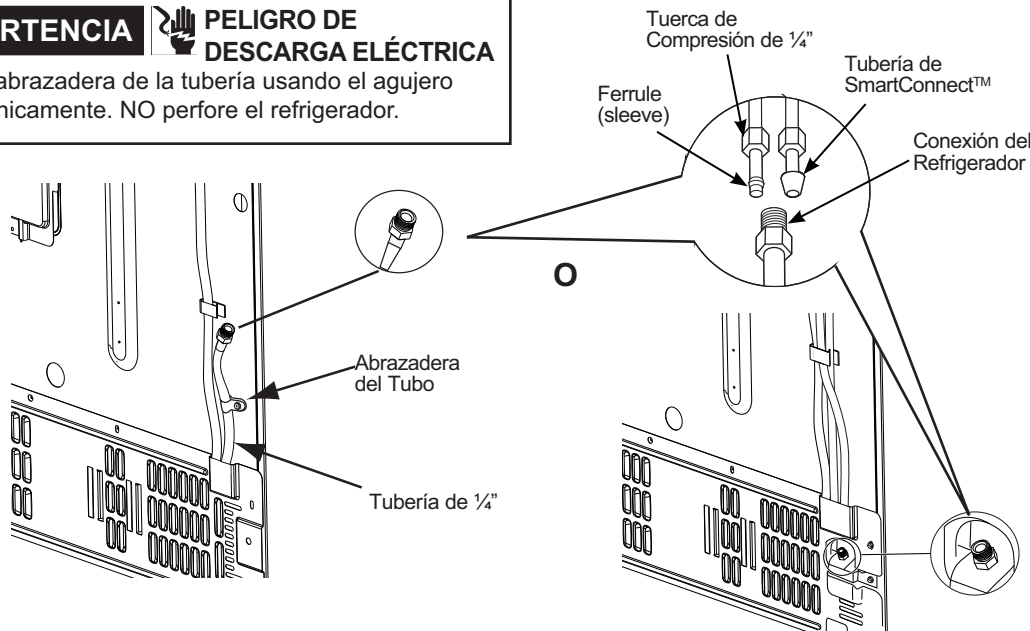
- C** Ajuste la tubería en la abrazadera provista para sostener la misma en la posición correcta. Será necesario que abra la abrazadera haciendo palanca.

#### ⚠ ADVERTENCIA

Realice la conexión a un suministro de agua potable únicamente. Se requiere un suministro de agua fría para el funcionamiento de la máquina de hielos automática. La presión del agua deberá estar entre 40 y 120 psi (275-827 kilopascales).

#### ⚠ ADVERTENCIA PELIGRO DE DESCARGA ELÉCTRICA

Adhiera la abrazadera de la tubería usando el agujero existente únicamente. NO perforo el refrigerador.

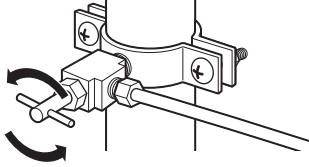


# Instrucciones de Instalación

## CÓMO INSTALAR EL REFRIGERADOR (Cont.)

### 10 ABRA EL SUMINISTRO DE AGUA

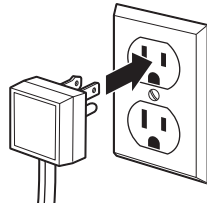
Abra el suministro de agua usando la válvula de cierre (suministro de agua hogareño) y controle que no haya pérdidas.



### 11 ENCHUFE EN EL REFRIGERADOR

Consulte la información de conexión a tierra adjunta con el cable de corriente.

Una vez que la unidad se encuentre encendida, presione la paleta del dispensador y dispense agua durante por lo menos 5 minutos para eliminar el aire de la tubería de agua, y nivelar el filtro. Las primeras cantidades de hielo también se deberán descartar. Para los modelos Sin Dispensador, descarte la primera cubitera de producción de hielo.

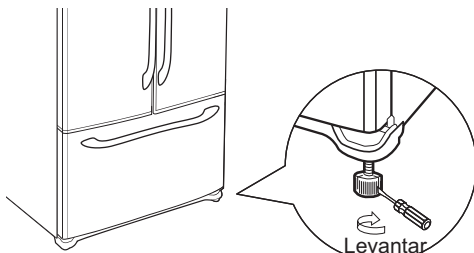


### 12 NIVELACIÓN DEL REFRIGERADOR

Las patas niveladoras poseen 2 propósitos:

- 1) Las patas niveladoras se ajustan de modo que el refrigerador quede posicionado de manera firme en el piso y no se tambalee.
- 2) Las patas niveladoras sirven como freno estabilizador para sostener el refrigerador de forma segura en su posición durante el funcionamiento y la limpieza. Las patas niveladoras también evitan la caída del refrigerador.

- A** Gire las patas niveladoras en dirección de las agujas del reloj para levantar el refrigerador, en contra de las agujas del reloj para bajarlo.

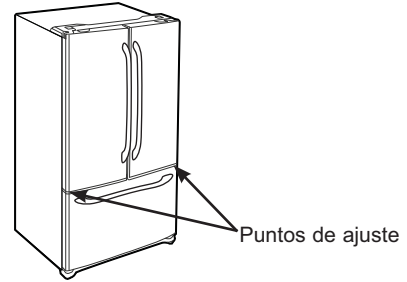


Destornillador con cabeza aplanada

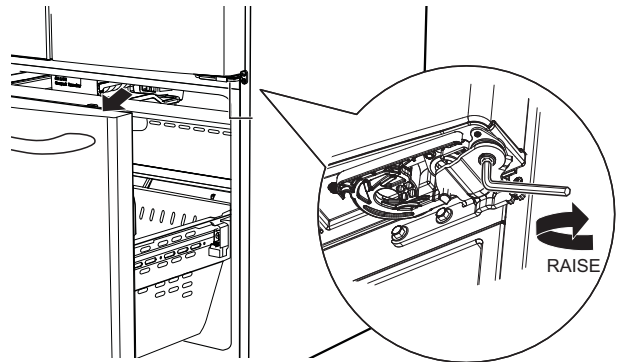
**AVISO:** A fin de evitar posibles daños sobre la propiedad, las patas niveladoras deberán estar tocando el piso de manera firme.

### 13 NIVELACIÓN DE LAS PATAS DEL REFRIGERADOR

Recuerde que es necesario que el refrigerador esté nivelado para que las puertas estén perfectamente apoyadas. Si necesita ayuda, revise la sección previa sobre nivelación del refrigerador.



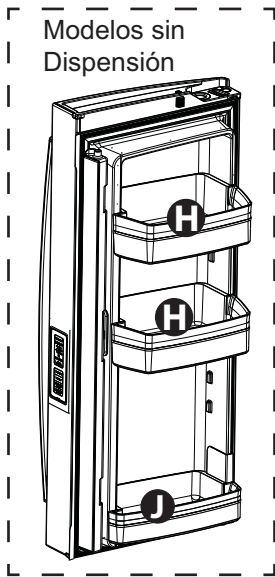
- A** Si abre la puerta del freezer, podrá ver la bisagra central.
- B** Inserte una llave Allen de 1/4" en el hueco de la bisagra central.
- C** Ajuste la altura girando en dirección a favor o en contra de las agujas del reloj. Al girar en contra de las agujas del reloj, la puerta se moverá.



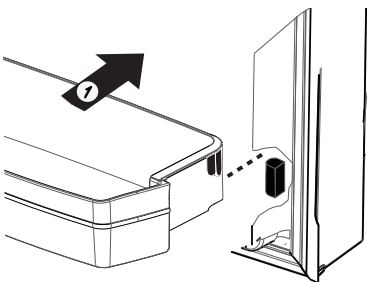
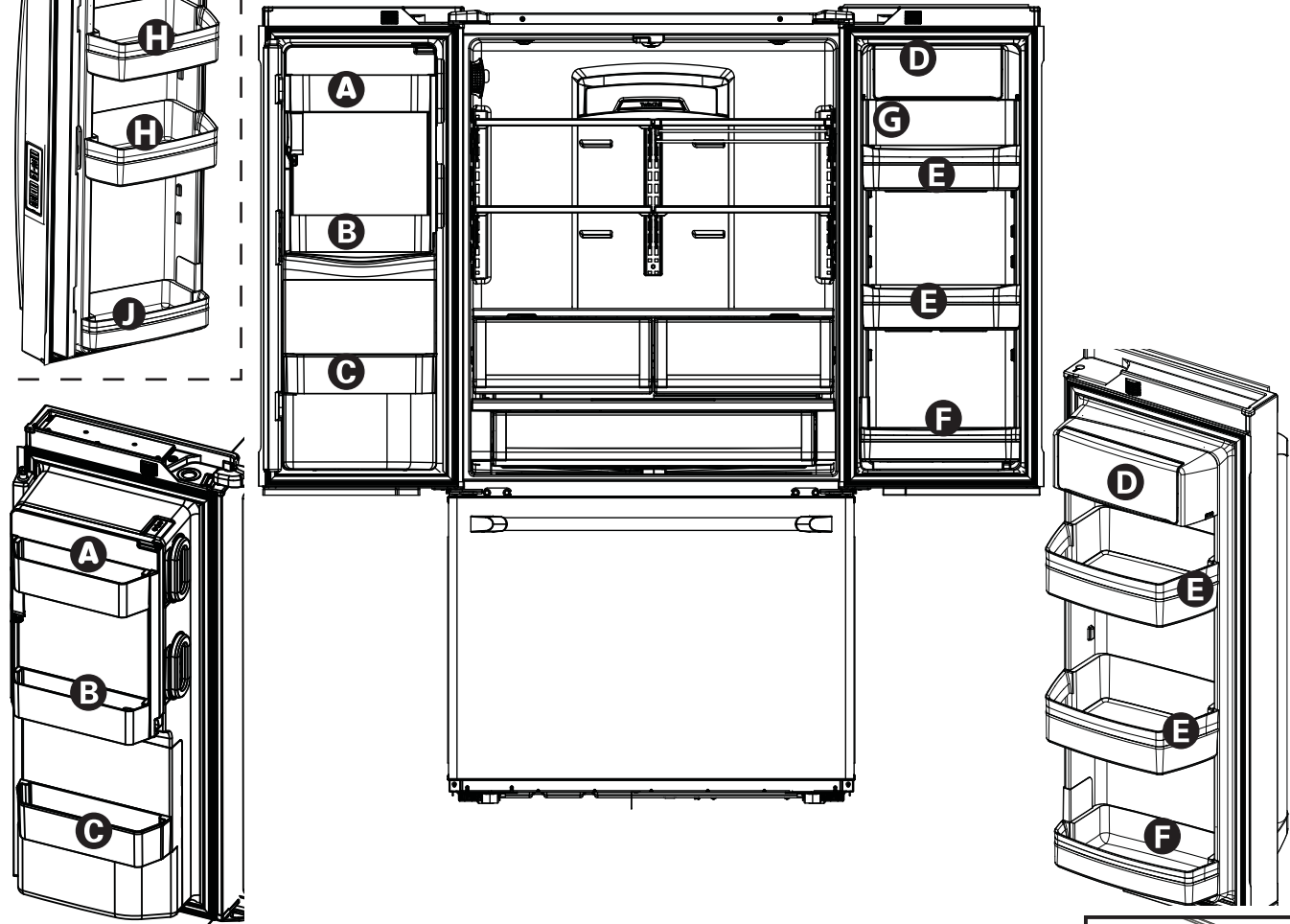
**NOTA:** En algunos modelos, sólo la puerta del lado derecho se podrá ajustar.

# Instrucciones de Instalación

## CÓMO INSTALAR EL REFRIGERADOR (Cont.)



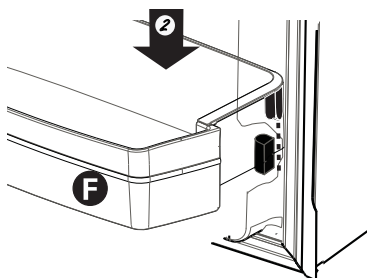
Instrucciones de Ensamble del Refrigerador, ensamble sugerido.



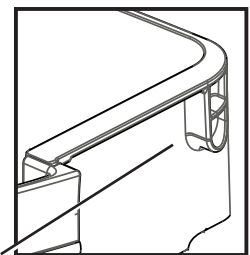
### Coloque los recipientes en las puertas:

Enlace su recipiente con la letra mostrada.

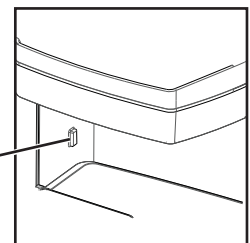
- 1 Posicione los ganchos del recipiente sobre el ubicador del recipiente y empuje hacia adelante hasta que se inserte completamente.



- 2 Empuje el recipiente hacia abajo hasta que se bloquee en su posición.



Parte trasera del gancho del recipiente a cada lado



Ubicador del recipiente a cada lado

# Instrucciones de Instalación

## CÓMO INSTALAR LA TUBERÍA DE AGUA

### ANTES DE COMENZAR

Los kits de suministro de agua de cobre recomendados son WX8X2, WX8X3 o WX8X4, dependiendo de la cantidad de tubería necesaria. Las tuberías de suministro de agua de plástico aprobadas son las Tuberías para Refrigerador de SmartConnect™ (WX08X10006, WX08X10015 y WX08X10025).

Al conectar su refrigerador a un Sistema de Agua por Ósmosis Inversa, la única instalación aprobada es con el Kit RV. Con otros sistemas de agua por ósmosis inversa, siga las recomendaciones del fabricante.

Si el suministro de agua al refrigerador es de un Sistema de Filtración de Agua por Ósmosis Inversa (RO) Y el refrigerador también cuenta con un filtro de agua, use el tapón del bypass del filtro del refrigerador. Cómo usar el tapón del bypass del filtro del Refrigerador. El uso del cartucho de filtración de agua del refrigerador junto con un filtro de agua RO podrá producir cubos de hielo huecos. Algunos modelos no vienen equipados con el tapón del filtro del bypass. Para obtener un tapón de bypass gratuito, visítenos en [cafeappliances.com/parts](http://cafeappliances.com/parts). En Canadá, visite [cafeappliances.ca/parts](http://cafeappliances.ca/parts).

Esta instalación de la tubería de agua no posee garantía del fabricante del refrigerador o de la máquina de hacer hielo. Siga estas instrucciones con cuidado, a fin de minimizar el riesgo de daños caros sobre el agua.

Los golpes de ariete (agua que golpea las tuberías) en la plomería del hogar pueden ocasionar daños sobre las piezas del refrigerador y generar pérdidas de agua o inundación. Llame a un plomero calificado para corregir los golpes de ariete antes de instalar la tubería de suministro de agua al refrigerador.

A fin de evitar quemaduras y daños sobre los productos, no adhiera la tubería de agua a la tubería de agua caliente.

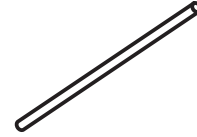
Para los Modelos LCD: Si el refrigerador es utilizado antes de haber realizado la conexión de agua a la máquina de hacer hielo, consulte ICE MAKER (Máquina de Hacer Hielo) en el menú SETTINGS (Configuraciones) de la sección LCD Operations (Funciones del LCD) y siga los comandos en pantalla para apagar la máquina de hacer hielo.

No instale la tubería de la máquina de hacer hielo en áreas donde las temperaturas lleguen a estar bajo cero.

Al usar un dispositivo eléctrico (tal como un taladro eléctrico) durante la instalación, asegúrese de que el dispositivo cuente con doble aislación o que esté conectado a tierra de modo que se eviten riesgos de descargas eléctricas, o que sea cargados a través del uso de una batería.

Todas las instalaciones de deben realizar de acuerdo con los requisitos indicados en el código local de plomería.

### LO QUE NECESITARÁ



- Kit de Tubería para Refrigerador de Cobre o SmartConnect™ de 1/4" de diámetro externo para conectar el refrigerador al suministro de agua. Si usará cobre, asegúrese de que ambos extremos de la tubería hayan sido cortados de forma recta.

A fin de determinar cuánta tubería es necesaria: mida la distancia desde la válvula de agua en la parte trasera del refrigerador hasta la tubería del suministro de agua. Asegúrese de que haya suficiente tubería adicional para permitir que el refrigerador pueda ser retirado de la pared luego de la instalación.

Los Kits de Tuberías para Refrigerador de SmartConnect™ están disponibles en las siguientes longitudes:

8' (2.4 m)	– WX08X10006
15' (4.6 m)	– WX08X10015
25' (7.6 m)	– WX08X10025

### ⚠ ADVERTENCIA

Realice la conexión a un suministro de agua potable únicamente.

Se requiere un suministro de agua fría para el funcionamiento de la máquina de helos automática. La presión del agua deberá estar entre 40 y 120 psi (275-827 kilopascals).

# Instrucciones de Instalación

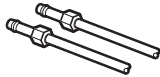
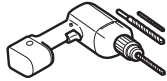
## CÓMO INSTALAR LA TUBERÍA DE AGUA (Cont.)

### LO QUE NECESITARÁ (CONT.)

**NOTA:** La única tubería plástica aprobada es aquella provista con los Kits de Tuberías para Refrigerador de SmartConnect™. No use ningún otro suministro de agua plástico, ya que el suministro se encuentra bajo presión en todo momento. Ciertos tipos de plásticos podrán sufrir fisuras o roturas con el paso del tiempo y ocasionar problemas con el agua en su hogar.

- Un kit de suministro de agua (el cual contiene tubería, válvula de cierre y uniones que figuran en la lista siguiente) está disponible por un costo adicional a través de su vendedor minorista o [cafeappliances.com/parts](http://cafeappliances.com/parts). (En Canadá, [cafeappliances.ca/parts](http://cafeappliances.ca/parts)).
- Un suministro de agua fría. La presión del agua deberá estar entre 20 y 120 p.s.i. (barra 1.4-8.1).

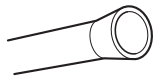
- Taladro eléctrico.
- 1/2" o llave ajustable.
- Destornillador de punta plana o Phillips.



- 2 abrazaderas de compresión (mangas) y dos tuercas de compresión de 1/4" de diámetro externo – para conectar la tubería de cobre a la válvula de cierre y a la válvula de agua del refrigerador.

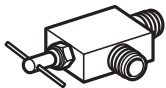
O

- Si usará un kit de Tuberías para Refrigerador de SmartConnect™, las uniones necesarias están preensambladas a la tubería.



- Si su tubería de agua de cobre existente posee una unión con avellanado en su extremo, necesitará un adaptador (disponible en las tiendas de suministros) para conectar la tubería de agua al refrigerador O puede cortar la unión con avellanado con un cortador de tubo y luego usar una unión de compresión. No corte los extremos con forma de la tubería para refrigerador de SmartConnect™.

- Cierre la válvula para conectar a la tubería de agua fría. La válvula de cierre debería tener una entrada de agua con un diámetro interior mínimo de 5/32" en el punto de conexión a la TUBERÍA DE AGUA FRÍA. Las válvulas de cierre tipo montura están incluidas en muchos kits de suministro de agua. Antes de su adquisición, asegúrese de que la válvula tipo montura cumpla con los códigos de plomería locales.



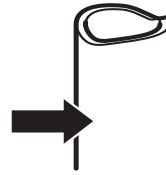
Instale la válvula de cierre en la tubería de agua potable de uso frecuente más cercana.

### 1 CIERRE EL SUMINISTRO DE AGUA PRINCIPAL

Encienda la canilla más cercana que sea lo suficientemente larga para despejar la tubería de agua.

### 2 ELIJA LA UBICACIÓN DE LA VÁLVULA

Elija una ubicación para la válvula que sea de fácil acceso. Es mejor conectar la misma en el lateral de una tubería de agua vertical. Cuando sea necesario conectarla en una tubería de agua horizontal, realice la conexión a la parte superior o lateral, en vez de la parte inferior, a fin de evitar el drenaje de cualquier sedimento de la tubería de agua.

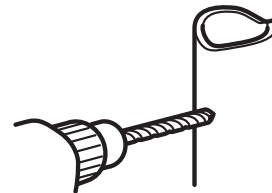


### 3 TALADRE EL AGUJERO DE LA VÁLVULA

Taladre un agujero de 1/4" en la tubería de agua (incluso si usará una válvula auto-perforante), usando una punta afilada. Elimine cualquier zumbido que resulte de haber taladrado el agujero en la tubería.

Tenga cuidado de no permitir que el agua se drene en el taladro.

Si no se taladra un agujero de 1/4" se podrá ver reducida la producción de hielo o los cubos de hielo podrán ser más pequeños.



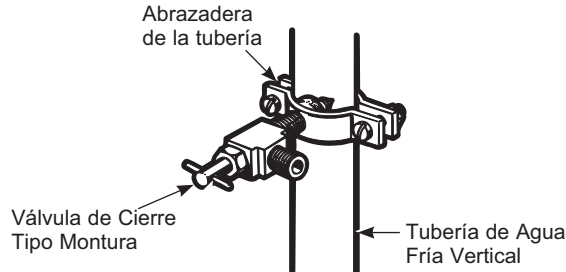


# Instrucciones de Instalación

## CÓMO INSTALAR LA TUBERÍA DE AGUA (Cont.)

### 4 AJUSTE LA VÁLVULA DE CIERRE

Ajuste la válvula de cierre de la tubería de agua fría con la abrazadera de la tubería.

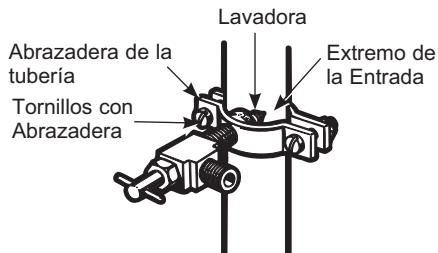


**NOTA:** Se deberá cumplir con los Códigos de Plomería del Commonwealth de Massachusetts 248CMR. Las válvulas tipo montura son ilegales y su uso está prohibido en Massachusetts. Consulte a un plomero matriculado.

### 5 AJUSTE LA ABRAZADERA DE LA TUBERÍA

Ajuste los tornillos de la abrazadera hasta que la arandela de sellado comience a hincharse.

**NOTA:** No ajuste en exceso o se podrá romper la tubería.



### 6 ENRUTE LA TUBERÍA

Enrute la tubería entre la entrada de agua fría y el refrigerador.

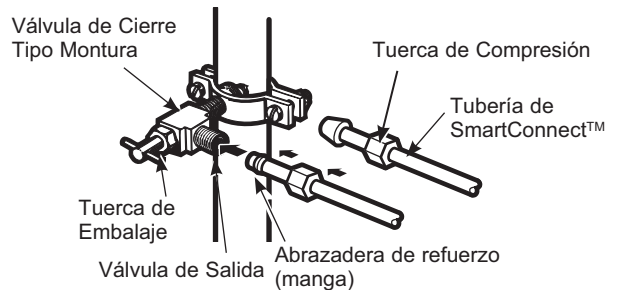
Enrute la tubería a través de un agujero perforado en la pared o el piso (detrás del refrigerador o del gabinete con base adyacente) tan cerca a la pared como sea posible.

### 7 CONECTE LA TUBERÍA A LA VÁLVULA

Coloque la tuerca de compresión y la abrazadera de refuerzo (manga) para colocar la tubería de cobre en el extremo de la tubería y conecte la misma a la válvula de cierre.

Asegúrese de que la tubería esté completamente insertada en la válvula. Ajuste la tuerca de compresión de forma segura.

Para usar una tubería de plástico del kit de Tuberías para Refrigerador SmartConnect™, inserte el extremo moldeado de la tubería en la válvula de cierre y ajuste la tuerca de compresión hasta que quede ajustada manualmente, y luego dé un giro de ajuste adicional con una llave. Un ajuste excesivo podrá ocasionar pérdidas.



**NOTA:** Se deberá cumplir con los Códigos de Plomería del Commonwealth de Massachusetts 248CMR. Las válvulas tipo montura son ilegales y su uso está prohibido en Massachusetts. Consulte a un plomero matriculado.

### 8 DESPEJE LA TUBERÍA

Abra el suministro de agua principal y despeje la tubería hasta que el agua esté limpia.

Cierre el agua usando la válvula de agua luego de haber dejado correr aproximadamente un galón (1 litro), o 2 minutos, de agua a través de la tubería.



Para completar la instalación del refrigerador, vuelva al Paso 9 en Cómo Instalar el Refrigerador.

# Condiciones de Funcionamiento Normal

El sonido de los refrigeradores nuevos es diferente al de aquellos más antiguos. Los refrigeradores modernos cuentan con más funciones y utilizan una tecnología más nueva.

¿Escuchas lo que yo escucho? Estas condiciones son normales.

**HUMMM...**

**WHOOSH...**

- Es posible que el nuevo compresor de alta efectividad funcione más rápido y por más tiempo que aquel de su refrigerador antiguo, y es posible que escuche un zumbido o sonido de pulsación en un tono alto mientras está funcionando.
- Es posible que escuche gorgoteos al cerrar la puerta. Esto se debe al equilibrio de la presión dentro del refrigerador.
- Luego de dispensar hielo, un motor cerrará el vertedor de hielo para evitar que entre aire caliente en el cubo de hielo, manteniendo el hielo en una temperatura de congelamiento.

El zumbido del motor al cerrar el cubo de hielo es normal, poco después de dispensar hielo.



- Es posible que escuche los ventiladores girar en altas velocidades. Esto sucede cuando el refrigerador se enchufa por primera vez, cuando las puertas se abren con frecuencia o cuando una gran cantidad de comida es agregada a los compartimientos del refrigerador o del freezer. Los ventiladores están ayudando a mantener las temperaturas correctas.
- Los ventiladores cambian de velocidad a fin de proveer un enfriamiento óptimo y ahorros de energía.

## SONIDOS DE CLIC, ESTALLIDOS ROTURAS y CHASQUIDOS

- Es posible que escuche sonidos de roturas o estallidos cuando se enchufe el refrigerador por primera vez. Esto sucede mientras el refrigerador se enfría hasta la temperatura correcta.
- La expansión y contracción de las bobinas de enfriamiento durante y después de la descongelación pueden producir sonidos de roturas o estallidos.
- En los modelos con máquina de hacer hielo, luego de un ciclo de producción de hielo, es posible que escuche los cubos de hielo caer al recipiente del hielo.
- En los modelos con dispensador, cuando se dispense el agua es posible que escuche el movimiento de las tuberías de agua al iniciar el proceso y luego de que el botón del dispensador sea liberado.

## SONIDOS DEL AGUA



- Es posible que el flujo de refrigerante a través de las bobinas de enfriamiento produzca un gorgoteo similar a agua hirviendo.
- – El agua que cae sobre el calentador de descongelamiento puede producir un chisporroteo, estallido o zumbido durante el ciclo de descongelamiento.
- Es posible que se escuche un sonido de goteo durante el ciclo de descongelación, a medida que el hielo se derrite desde el evaporador y fluye hasta la olla de drenaje.
- Cerrar la puerta podrá provocar un sonido de burbujeo debido a la igualación de la presión.

## COMIENZO DEL ENFRIAMIENTO

El refrigerador podrá tardar hasta 24 horas en alcanzar la temperatura configurada. Durante ese tiempo, se deberán limitar las aperturas de puerta del refrigerador y del freezer.

## Consejos para la Solución de Problemas... Antes de solicitar el servicio técnico

¡Ahorre tiempo y dinero! Primero revise los cuadros que aparecen en las siguientes páginas y es posible que no necesite solicitar reparaciones.

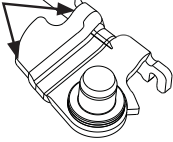
Problema	Causas Posibles	Qué Hacer
Se indicó que el filtro de agua se instaló de forma incorrecta o hay una pérdida presente en la pantalla de LCD.	El filtro de agua se instaló al revés o tiene una pérdida.	Controle que no haya pérdidas. Si no hay pérdidas presentes, retire el filtro/ tapón del bypass, gire 180° y reinstale.
La luz indicadora del filtro permanece encendida luego de reemplazar el filtro	El indicador del filtro de agua debe ser reiniciado. En algunos modelos, reemplazar su filtro de agua no reiniciará su filtro de forma automática.	<b>Modelos sin LCD:</b> -Mantenga presionado el botón de reinicio. <b>Modelos con LCD:</b> -En la pantalla de LCD seleccione SETTINGS (Configuraciones), y luego WATER FILTER (Filtro de Agua). Seleccione RESET (Reiniciar). En algunos modelos, ingrese al menú de configuraciones, seleccione el menú Water Filter (Filtro de Agua) y presione el botón RESET (Reiniciar). Esto reiniciará el estado del filtro.
La manija está floja/ la manija tiene un espacio de separación.	Es necesario ajustar la manija	Para acceder a instrucciones detalladas, consulte las secciones <i>Cómo Ajustar la Manija de Comidas Frescas</i> y <i>Cómo Ajustar la Manija del Freezer</i> .
Pitido del refrigerador	Se trata de la alarma de la puerta	Apague o desactive la misma con la puerta cerrada. Si la puerta está abierta y la alarma está sonando, sólo podrá detener la alarma.
No enfría	Consulte Acerca de los Controles.	Consulte <i>Acerca de los Controles</i>
El agua tiene mal gusto/ olor	El dispensador de agua no fue usado durante un tiempo prolongado	Dispense agua hasta que toda el agua en el sistema sea repuesta.
El agua en el vaso está caliente	Es normal cuando el refrigerador es usado por primera vez luego de su instalación	Espere 24 horas hasta que el refrigerador se enfríe completamente.
	El dispensador de agua no fue usado durante un tiempo prolongado	Dispense agua hasta que toda el agua en el sistema sea repuesta.
	El sistema de agua fue drenado	Espere varias horas hasta que el suministro repuesto se haya enfriado.
El dispensador de agua no funciona	El suministro de agua está apagado o no está conectado	Consulte <i>Cómo Instalar el Suministro de Agua</i> .
	El filtro de agua está atascado o el enchufe del filtro/ bypass no fue instalado	Reemplace el cartucho del filtro o retire el filtro e instale el tapón del bypass*.
	Es posible que haya aire atrapado en el sistema de agua	Presione el brazo dispensador durante por lo menos 5 minutos.
	El agua en la reserva está congelada debido a que los controles están configurados en una temperatura demasiado fría	Configure el control del refrigerador en una configuración más caliente y espere 24 horas. Si el agua no es dispensada luego de 24 horas, comuníquese al servicio técnico en <a href="http://cafeappliances.com/service">cafeappliances.com/service</a> .
Chorrea agua del dispensador	El cartucho del filtro fue instalado en forma reciente	Deje correr agua del dispensador durante 5 minutos (aproximadamente 2 galones).
Gotea agua desde el dispensador*	Puede haber aire presente en el sistema de entrada de agua, haciendo que gotee agua luego de ser dispensada	Dispense agua durante por lo menos 5 minutos para eliminar el aire del sistema
No hay producción de agua ni de cubos de hielo*	La línea de suministro o la válvula de cierre están atascadas	Llame a un plomero
	El filtro de agua está atascado	Reemplace el cartucho del filtro o retire el filtro e instale el tapón del bypass*.
	El cartucho del filtro no está instalado de forma apropiada	Retire y vuelva a instalar el cartucho del filtro, asegurándose de que se puede bloquear correctamente en su lugar.
	La máquina de hacer hielo está apagada	Controle que la máquina de hacer hielo esté encendida. Consulte <i>Acerca de la Máquina de Hacer Hielo Automática</i> .
PRECISE FILL (Llenado Preciso) no llena el recipiente*	Es normal, <b>PRECISE FILL</b> (Llenado Preciso) requiere el uso de una paleta dispensadora	Para una cantidad específica de agua, seleccione <b>PRECISE FILL</b> (Llenado Preciso) para dispensar agua
Fotos no encontradas*	Las fotos no se encuentran en el directorio de origen del USB	Asegúrese de que las fotos estén en el directorio de origen en su USB
	Las fotos no están en formato JPEG	Las fotos deberán estar en formato JPEG
	Uso de la cámara/ PC con un cable USB	Se deberá usar un dispositivo USB
Enfriamiento del freezer, la comida fresca no se enfría	Es normal, cuando el refrigerador se enchufa por primera vez o luego de un corte de energía prolongado	Espere 24 horas para que la temperatura en ambos compartimiento alcance las temperaturas seleccionadas.

## Consejos para la Solución de Problemas... Antes de solicitar el servicio técnico

Problema	Causas Posibles	Qué hacer
El dispensador de hielo se abre luego de cerrar el cajón del freezer*	Normal	La puerta del dispensador de agua se podrá abrir luego de cerrar la puerta del freezer para permitir el acceso
El agua caliente no funciona	Funcionamiento imposibilitado	Asegúrese de que la función "Agua Caliente Inaccesible" no sea seleccionada
	Presión baja del agua	Asegúrese de que la tubería de agua no esté retorcida.
	El suministro de agua está apagado o no está conectado.	Consulte la <i>Instalación del Suministro de Agua</i> .
	El filtro de agua está atascado o el enchufe del filtro/ bypass no fue instalado.	Reemplace el cartucho del filtro o retire el filtro e instale el enchufe del bypass*.
Se continúa dispensando agua caliente durante un período de tiempo corto luego de liberar la perilla.	El filtro de agua está parcialmente atascado o la presión del agua es baja (<40 psi).	Reemplace el cartucho del filtro o retire el filtro e instale el enchufe del bypass* o incremente la presión del agua.
Es difícil abrir la puerta del Congelador.	Es posible que la junta de la puerta del Congelador quede adherida a la puerta principal si permanece cerrada durante un período prolongado.	Destrahe el pestillo de la puerta, espere 3 minutos y luego abra la puerta del Congelador.
La puerta de comidas frescas no se cierra completamente.	Es posible que la junta de la puerta de alimentos frescos no esté correctamente apoyada y que esté interfiriendo con la acción articuladora del montante.	Vuelva a colocar la junta completamente en la ranura.
Flujo bajo durante la preparación	Es posible que la Cápsula K haya tenido una abolladura en la parte inferior, haciendo que el alfiler perfora el filtro y haciendo que el Café molido obstruya el alfiler inferior.	Evite usar cápsulas K dañadas/ abolladas, y limpie la aguja inferior antes de la siguiente preparación.
Flujo bajo en la preparación/ el agua gotea desde la puerta interna.	La aguja superior de la cafetera está atascada.	Desobstruya los agujeros de la aguja superior usando un gancho sujeta papeles y enjuague la cafetera. Enjuague la cafetera luego de cada uso.
La cafetera está atorada en el soporte de la puerta.	El dispensador se encuentra en el modo para dispensar agua caliente en lugar de estar en el modo de preparación mientras el módulo de preparación está instalado.	Cancele el modo para dispensar agua caliente, de modo que el tubo de agua caliente se retraiga del módulo de preparación.
La cafetera no es detectada por el menú en pantalla o hay un goteo de agua caliente en la parte superior de la cafetera.	Ensamble incorrecto de la cafetera en el soporte	Asegúrese de que el Logo de Keurig esté en el frente. Presione la cafetera completamente dentro de los soportes.
El Café es dispensado con salpicaduras o con burbujas que revientan.	Agujero de ventilación bloqueado en la cafetera	Asegúrese de que el agujero de ventilación en la parte inferior de la cafetera esté despejado de la comida o de cualquier otro tipo de contaminación
La calidad de la bebida no es la esperada.	Es posible que esté usando Cápsulas K no estándares o vencidas.	Se recomienda el uso de las cápsulas K de Keurig que no estén vencidas ni dañadas.
Gotea líquido de la cafetera una vez completado el ciclo y luego de haber retirado la misma del soporte.	Es posible que queden líquidos retenidos por la cafetera y que goteen cuando ésta es retirada.	Use una tela o envase para capturar los goteos al retirar la cafetera.
Retraso al usar el dispensador de la Cápsula de Keurig	Para asegurar que se sirva una bebida de calidad, se requiere un pequeño retraso a fin de asegurar que el refrigerador está funcionando correctamente	Asegurar un funcionamiento consistente y de calidad requiere que el refrigerador se retrase al dispensar por un período de tiempo corto
Una vez servida, mi bebida en polvo no salió completamente de la cápsula usada.	Dependiendo del tamaño seleccionado, es posible que el polvo no sea disuelto completamente. Algunas bebidas en polvo desarrollan "grumo" al ser dejadas colocadas durante cierto tiempo.	Sacuda las cápsulas de polvo antes de la preparación, a fin de deshacer el grumo y permitir un mejor uso. Para aquellas bebidas en polvo sin filtro, use la selección del ciclo Cocoa (Cacao).
Es difícil cerrar la tapa de la cafetera.	La cápsula K no está completamente apoyada.	Presione la cápsula K hasta el fondo de la cafetera antes de cerrar la tapa. La aguja inferior debe perforar la cápsula K antes del cierre de la tapa de la cafetera.
La cafetera gotea durante el ciclo de preparación	Problemas al cerrar la tapa de la cafetera o la cápsula K está dañada	Presione la cápsula K hasta el fondo de la cafetera antes de cerrar la tapa. La aguja inferior debe perforar la cápsula K antes del cierre de la tapa de la cafetera. Se recomienda usar cápsulas K oficiales de Keurig que no hayan sido dañadas y que cuenten con un buen sellado entre la tapa superior y el fondo de plástico.

\*Algunos modelos no vienen equipados con el tapón del filtro del bypass. Para obtener un tapón de bypass gratuito, visítenos en [cafeappliances.com/parts](http://cafeappliances.com/parts). En Canadá, visite [cafeappliances.ca/parts](http://cafeappliances.ca/parts).

Consejos para la Solución de Problemas... Antes de solicitar el servicio técnico

Problema	Causas Posibles	Qué hacer
<p>La puerta de mi refrigerador hace un chirrido</p>	<p>Disminución de lubricante debido a una limpieza accidental del lubricante sobre la bisagra</p>	<p>Es mejor ordenar la pieza del servicio de lubricante de GEA número WR97X166 y aplicar el mismo sobre la bisagra en la ubicación especificada. Es posible rociar un poco de lubricante no tóxico tal como espráis de cocción no adherente a base de silicona, vaselina o lubricantes de grado alimenticio aprobados por NSF.</p> <p><b>IMPORTANTE:</b> No use WD-40, ya que este eliminará cualquier grasa restante en o alrededor de la bisagra.</p> 
	<p>Nivelación inadecuada</p>	<p>Asegúrese de que la unidad esté nivelada.</p>
	<p>Si las puertas fueron retiradas y ensambladas nuevamente durante el proceso de instalación, la línea de flotación y el arnés debajo de la tapa de la bisagra superior se podrán salir de su posición y frotar contra la puerta mientras la puerta gira.</p>	<p>Retire la tapa de la bisagra superior y asegúrese de que la línea de flotación y el arnés que pasa a través del perno de la bisagra se hayan colocado apropiadamente y no toquen ninguna de las partes de la puerta durante la rotación.</p> <p>También ayudará la aplicación de lubricante de grado alimenticio alrededor del área del buje en la puerta.</p>

# Verdad o Mito

## SERVICIO

Antes de solicitar el servicio técnico, revise los consejos para la solución de problemas de forma detallada en el Manual del Propietario. En caso de ser necesario, se podrá programar el servicio técnico visitándonos a través de Internet en [cafeappliances.com/service](http://cafeappliances.com/service). En Canadá en [cafeappliances.ca/service](http://cafeappliances.ca/service)

## Verdad o Mito

Verdad o Mito?	Respuesta	Explicación
El filtro de agua del refrigerador podrá requerir un reemplazo, incluso aunque el indicador del filtro no se haya vuelto rojo o que se lea "Filtro Vencido".	VERDADERO	El indicador del filtro de agua indicará la necesidad de reemplazar el filtro de agua cada seis meses o que se dispensen 170 galones (643.52 litros) de agua (modelos selectos únicamente). La calidad del agua varía de una ciudad a otra; si el flujo del agua del dispensador disminuye, o la producción de hielo decrece, el filtro de agua debería ser reemplazado, incluso aunque el indicador del filtro no indique la necesidad del reemplazo
La máquina de hacer hielo automática de mi refrigerador produce hielo cuando el refrigerador se encuentra enchufado a un receptáculo de corriente.	MITO	El refrigerador debe ser conectado al agua, y la máquina de hacer hielo debe ser encendida. Asegúrese de que la máquina de hacer hielo esté encendida, sólo después de que la cañería de agua esté conectada y que el agua esté abierta. La máquina de hacer hielo puede ser encendida/apagada desde los controles y asegurar que la misma está encendida, como se indica en el panel de control del refrigerador. Consulte <i>Máquina de Hacer Hielo Automática</i> .
Luego de que el refrigerador haya sido enchufado y conectado al agua, tendré inmediatamente agua fría disponible desde el dispensador de agua.	MITO	El tanque del dispensador de agua ubicado dentro del refrigerador guarda agua para dispensar. El agua del tanque necesita 24 horas para enfriarse luego de la instalación. Las altas condiciones de uso no permitirán que haya tiempo para que el agua se enfríe.
Luego de dispensar agua, es normal que caigan unas pocas gotas de agua. .	VERDADERO	Es posible que caigan unas pocas gotas de agua del dispensador, luego de que la paleta del mismo se haya liberado. A fin de minimizar los goteos, retire el vidrio lentamente del dispensador.
Nunca veré escarcha dentro del compartimiento del freezer.	MITO	La escarcha dentro del freezer típicamente indica que la puerta no está correctamente sellada, o se dejó abierta. Si se encuentra escarcha, despeje la misma utilizando una espátula de plástico y una toalla, luego asegúrese de que no haya paquetes ni envases de comida que impidan que la puerta del freezer se cierre. Controle el panel de control del refrigerador para asegurar que la alarma de la puerta esté activada.
Cuando se instala el refrigerador, o luego de reemplazar el filtro de agua, debo dispensar agua por cinco minutos.	VERDADERO	Un refrigerador o filtro de agua instalado en forma reciente contiene aire en las cañerías de agua. Presione la paleta del dispensador y dispense agua durante por lo menos 5 minutos para eliminar el aire de la cañería de agua y despejar el filtro. Para los modelos Sin Dispensador, descarte la primera cubitera de producción de hielo luego del reemplazo del filtro.
Para llenar la hielera hasta su capacidad máxima, debería dispensar entre 12 y 18 horas después de la instalación.	VERDADERO	Dispensar 3 o 4 cubos entre 12 y 18 horas luego de la instalación permite que el hielo se dispense dentro de la hielera, que a su vez requiere de la máquina de hacer hielo para producir hielo adicional. Producción normal de hielo = 100 cubos en 24 horas.

## Verdad o Mito

### SERVICIO

Antes de solicitar el servicio técnico, revise los consejos para la solución de problemas de forma detallada en el Manual del Propietario. En caso de ser necesario, se podrá programar el servicio técnico visitándonos a través de Internet en [cafeappliances.com/service](http://cafeappliances.com/service). En Canadá en [cafeappliances.ca/service](http://cafeappliances.ca/service)

### Verdad o Mito

Verdad o Mito? (cont.)	Respuesta	Explicación
Puede usar el tapón del bypass del filtro de agua para determinar si el filtro requiere un reemplazo.	VERDADERO	Una reducción en el flujo del dispensador de agua o una reducción en la producción de hielo podrán indicar la necesidad de reemplazar el filtro de agua. Instale el tapón del bypass del filtro de agua (provisto con el refrigerador en algunos modelos*), y controle el flujo desde el dispensador. Si el flujo de agua regresa a la normalidad con la colocación del tapón del bypass, reemplace el filtro de agua.
La parte superior de las puertas del refrigerador siempre estará alineada.	MITO	Varias cosas pueden afectar la alineación de la puerta de alimentos frescos, incluyendo el piso sobre el cual el refrigerador está instalado, y la carga de las puertas. Si la parte superior de las puertas de alimentos frescos no están alineadas, use una llave Allen de ¼" para ajustar la puerta derecha o izquierda. El tornillo de ajuste está ubicado en el costado inferior derecho o izquierdo de la puerta; abra la puerta del freezer para acceder al tornillo.
Las manijas de la puerta del refrigerador se pueden ajustar fácilmente.	VERDADERO	Si las manijas de la puerta están flojas o tienen una separación con la puerta, se podrán ajustar usando una llave Allen de 1/8", sobre los tornillos ubicados en los extremos de las manijas.
Es posible que el hielo presente problemas con su olor y sabor.	VERDADERO	Luego de iniciar la máquina de hielo, o de reemplazar el filtro de agua, descarte la primera producción de la cubitera de hielo para evitar problemas de olor y gusto.
Puedo hacer ajustes finos sobre las puertas de alimentos frescos para alinearlas.	VERDADERO	Si las puertas de alimentos frescos no están alineadas, use una llave Allen de ¼" para ajustar la puerta de la derecha. El tornillo de ajuste está ubicado en la parte inferior de la puerta derecha o izquierda. Abra la puerta del freezer para tener acceso.
Siempre se requiere el retiro de la puerta para la instalación.	MITO	Controle el cuadro sobre el lado inverso de esta instrucción. Las puertas sólo se deben retirar cuando sea necesario para evitar daños en el pasillo o en el acceso hasta la ubicación final.
Las puertas del refrigerador que no cierran luego de la instalación se podrán ajustar para que cierren de forma correcta.	VERDADERO en algunos modelos	En algunos modelos, las puertas deberán ser retiradas a 90 grados e instaladas a 90 grados en el gabinete, como se describe en el procedimiento de Reinstalación de las Puertas del Refrigerador, a fin de que la puerta cierre correctamente.
Las puertas del refrigerador se cerrarán solas si se las deja abiertas.	MITO en algunos modelos	Las puertas del refrigerador deberán ser cerradas por el usuario. Un rebote suave hacia atrás es una función diseñada en algunos modelos que brinda una respuesta positiva al usuario, de modo que pueda iniciar y completar la acción del cierre de puertas.
Hay un ajuste sobre las ruedas traseras.	MITO	Las patas niveladoras frontales son ajustables y se deberían usar para equilibrar el refrigerador. Las patas niveladoras se usan para hacer el ajuste inicial de la puerta de alimentos frescos.
Controle pérdidas una vez realizadas todas las conexiones del agua.	VERDADERO	Al purgar el aire del sistema de agua, controle pérdidas en todas las conexiones de las cañerías de agua. Controle la conexión con el suministro de agua del hogar en la parte trasera del refrigerador, y en la conexión de la tubería de agua de la puerta.
Mi pantalla de LCD siempre estará encendida cuando enchufe el cable de corriente en la instalación.	MITO	Si el refrigerador se ubicó en un ambiente frío, es posible que la pantalla de LCD esté lenta al dar la imagen. Dé al refrigerador suficiente tiempo para calentarse, y la pantalla funcionará bien.
Cualquier residuo del embalaje se podrá eliminar del refrigerador con un limpiador.	MITO	No use cera, pulidor, blanqueador u otros productos que contengan cloro sobre los paneles de Acero Inoxidable, manijas de puertas y componentes. Para acceder a detalles completos, controle estas instrucciones en "Limpieza de la Parte Exterior".

\*Algunos modelos no vienen equipados con el tapón del filtro del bypass. Para obtener un tapón de bypass gratuito, visítenos en [cafeappliances.com/parts](http://cafeappliances.com/parts). En Canadá, visite [cafeappliances.ca/parts](http://cafeappliances.ca/parts).

# Café Garantía Limitada del Refrigerador

## cafeappliances.com

Todo el servicio de garantía es provisto por nuestros Centros de Servicio de Fabricación, o un técnico autorizado de o un técnico autorizado de servicio. Para programar una visita del servicio técnico, visítenos en [cafeappliances.com/service](http://cafeappliances.com/service). Cuando llame para solicitar el servicio, tenga los números de serie y modelo disponibles. En Canadá, visite [cafeappliances.ca/service](http://cafeappliances.ca/service).

Para realizar el servicio técnico de su refrigerador se podrá requerir el uso de datos del puerto de abordaje para su diagnóstico. Esto da al técnico del Servicio de Fábrica de Café la habilidad de diagnosticar de forma rápida cualquier problema con su electrodoméstico, y de ayudar a Café a mejorar sus productos al brindarle a Café la información sobre su electrodoméstico. Si no desea que los datos de su electrodoméstico sean enviados a Café, solicitamos que le indique a su técnico NO entregar los datos a Café en el momento del servicio.

Por el Período de:	Café Reemplazará
<b>Un Año</b> Desde la fecha de la compra original	<b>Cualquier parte</b> del refrigerador que falle debido a un defecto en los materiales o la fabricación. Durante esta <b>garantía limitada de un año</b> , Café también proveerá, <b>sin costo</b> , todo el trabajo y el servicio relacionado con el reemplazo de la parte que presente defectos.
<b>Treinta Días</b> (Filtro de Agua, si está incluido) Desde la fecha de la compra original del refrigerador	<b>Cualquier parte</b> del cartucho del filtro de Agua que falle debido a un defecto en los materiales o la fabricación. Durante la <b>garantía limitada por treinta días</b> , Café también le brindará, <b>sin costo</b> , el reemplazo de un cartucho del filtro de agua.
<b>Cinco Años</b> Desde la fecha de la compra original	<b>Cualquier parte del sistema de refrigeración sellado (el compresor, condensador, evaporador y todas las tuberías de conexión)</b> que falle debido a un defecto en los materiales o la fabricación. Durante esta <b>garantía de cinco años del sistema de refrigeración sellado</b> , Café también proveerá, <b>sin costo</b> , todo el trabajo y el servicio relacionado con el reemplazo de la parte que presente defectos en el sistema de refrigeración sellado.

### Qué No Está Cubierto:

- Viajes del técnico del servicio a su hogar para enseñarle sobre cómo usar el producto.
- Instalación, entrega o mantenimiento inadecuados.
- Fallas del producto en caso de abuso, mal uso, o uso para propósitos diferentes al original o uso comercial.
- Pérdida de alimentos por mal estado.
- Reemplazo de fusibles de la casa o reinicio de disyuntores.
- Daños sobre el acabado, tales como óxido sobre la superficie, deslustres o manchas pequeñas no informadas dentro de las 48 horas luego de la entrega.
- Reemplazo del cartucho del filtro de agua, si se incluye, debido a la presión del agua que está fuera del rango de funcionamiento específico o debido a exceso de sedimentos en el suministro de agua.
- Reemplazo de bombillas de luz, si se incluyen, o del cartucho del filtro de agua, si se incluye, a diferencia de lo detallado anteriormente.
- Daños ocasionados sobre el producto por accidente, incendio, inundaciones o catástrofes naturales.
- Daños consecuentes o incidentales causados por posibles defectos de este producto.
- Producto no accesible para brindar el servicio requerido.
- Daño ocasionado por un filtro de agua de una marca que no es GE Appliances.

**EXCLUSIÓN DE GARANTÍAS IMPLÍCITAS**—Su única y exclusiva alternativa es la reparación del producto, como se indica en la Garantía Limitada. Las garantías implícitas, incluyendo garantías implícitas de comerciabilidad o conveniencia sobre un propósito particular, se limitan a un año o al período más corto permitido por la ley.

Esta garantía limitada se extiende al comprador original y a cualquier dueño subsiguiente de productos comprados para uso hogareño dentro de EE.UU. Si el producto está en un área donde no se encuentra disponible un Proveedor Autorizado del Servicio Técnico de Café, usted será responsable por el costo de un viaje o se podrá requerir que traiga el producto a una ubicación del Servicio Técnico de Café Autorizado para recibir el servicio. En Alaska, la garantía limitada excluye el costo de envío o llamadas del servicio a su hogar. Algunos estados no permiten la exclusión o limitación de daños fortuitos o consecuentes. Esta garantía limitada le da derechos legales específicos y es posible que tenga otros derechos legales que varían entre un estado y otro. Para conocer cuáles son sus derechos legales, consulte a la oficina de asuntos del consumidor local o estatal o al Fiscal de su estado.

**Warrantor: GE Appliances, a Haier company**  
Louisville, KY 40225

**Para Clientes en Canadá:** Esta garantía limitada se extiende al comprador original y a cualquier dueño subsiguiente de productos comprados para uso hogareño dentro de Canadá. El servicio técnico hogareño de la garantía será brindado en áreas donde Mabe se encuentre disponible y lo considere apropiado.

**Garante en Canadá: MC Commercial, Inc., Burlington, Ontario, L7R 5B6**

**GARANTÍA LIMITADA**

Abroche su recibo aquí. Para acceder al servicio técnico de acuerdo con la garantía deberá contar con la prueba de la fecha original de compra.



# Garantía Limitada del Cartucho del Filtro de Agua

Comuníquese con nosotros en [cafeappliances.com](http://cafeappliances.com)

<b>Por el Período de:</b>	<b>Reemplazaremos, Sin Costo:</b>
<b>Treinta Días</b> Desde la fecha de compra original.	Cualquier parte del cartucho del filtro de agua que falle debido a un defecto en los materiales o la fabricación durante esta garantía limitada de treinta días.*

### Qué No Está Cubierto:

- Viajes del técnico del servicio a su hogar para enseñarle sobre cómo usar el producto.
- Instalación inadecuada.
- Fallas del producto en caso de abuso, mal uso, o uso para propósitos diferentes a l original o uso comercial
- Reemplazo de fusibles de la casa o reinicio de disyuntores.
- Reemplazo del cartucho del filtro de agua debido a la presión del agua que está fuera del rango de funcionamiento específico o debido a exceso de sedimentos en el suministro de agua
- Daños ocasionados sobre el producto por accidente, incendio, inundaciones o catástrofes naturales.
- Daños consecuentes o incidentales causados por posibles defectos de este producto.

### EXCLUSIÓN DE GARANTÍAS IMPLÍCITAS:

Su única y exclusiva alternativa es el cambio de la pieza, como se indica en esta Garantía Limitada. Las garantías implícitas, incluyendo garantías implícitas de comerciabilidad o conveniencia sobre un propósito particular, se limitan a seis meses o al período más corto permitido por la ley.

Esta garantía se extiende al comprador original y a cualquier dueño subsiguiente de productos adquiridos para uso hogareño dentro de EE.UU. En Alaska, la garantía excluye el costo de envío o llamadas al servicio técnico desde su hogar.

Algunos estados no permiten la exclusión o limitación de daños fortuitos o consecuentes. Esta garantía le da derechos legales específicos y es posible que tenga otros derechos legales que varían entre un estado y otro. Para conocer cuáles son sus derechos legales, consulte a la oficina de asuntos del consumidor local o estatal o al Fiscal de su estado.

Para Adquisiciones Realizadas en Iowa: Este formulario debe poseer la firma y fecha del comprador y del vendedor antes de la consumación de esta venta.

Este formulario debería ser retenido por el vendedor en un archivo durante un mínimo de dos años.

### Comprador:

Nombre \_\_\_\_\_

Domicilio \_\_\_\_\_

Ciudad \_\_\_\_\_ Estado \_\_\_\_\_ Código Postal \_\_\_\_\_

Firma \_\_\_\_\_ Fecha \_\_\_\_\_

### Vendedor:

Nombre \_\_\_\_\_

Domicilio \_\_\_\_\_

Ciudad \_\_\_\_\_ Estado \_\_\_\_\_ Código Postal \_\_\_\_\_

Firma \_\_\_\_\_ Date \_\_\_\_\_

\* Si su pieza de GE Appliances falla debido a un defecto en la fabricación dentro de los treinta días desde la fecha de compra original, le entregaremos una pieza nueva o, a su elección, una pieza reconstruida sin cargo. Devuelva la pieza defectuosa al proveedor de piezas a quien le realizó la compra, junto con una copia de la "prueba de compra" de la pieza. Si la pieza es defectuosa y no muestra signos de abuso, será cambiada. La garantía no cubre la falla de las piezas que están dañadas mientras están en su posesión, si son abusadas, o si fueron instaladas de forma incorrecta. No cubre el costo de regresar la pieza al proveedor a quien le realizó la compra ni cubre el costo del trabajo para retirar o instalar la misma a fin de diagnosticar la falla. No cubre las piezas usadas en productos de uso comercial, excepto en el caso de equipos acondicionadores de aire. En ningún caso GE Appliances será responsable por daños consecuentes.

**Garante: GE Appliances, a Haier company**  
**Louisville, KY 40225**

Abroche su recibo aquí. Para acceder al servicio técnico de acuerdo con la garantía deberá contar con la prueba de la fecha original de compra.

# Ficha Técnica de Funcionamiento de Modelo: RPWFE

- Sistema certificado por IAPMO R&T contra los Estándares 42, 53, 401, y P473 de NSF/ANSI para la reducción de demandas especificadas en la ficha técnica de rendimiento y en [iapmort.org](http://iapmort.org).
- El rendimiento real podrá variar en relación a las condiciones locales del agua.

Sustancia Evaluada para la Reducción	Concentración del peligro de intrusión (mg/L)	Concentración de aguas máximas permitidas sobre el producto (mg/L)	% Promedio de Reducción
Gusto y Olor a Cloro	2.0 mg/L +/- 10%	N/A	> 99
Gusto y Olor a Cloramina	3.0 mg/L +/- 10%	0.5	> 99
Partícula, Clase I	Por lo menos 10,000 partículas/mL	N/A	91.4
Partícula, Clase I	50,000/L	N/A	> 99.99
Plomo	0.15	0.01	98.85
Mercurio	0.006	0.002	96.95
Mercurio	107 to 108 fibras/ L	N/A	> 99
Toxafeno	0.015 +/- 10%	0.003	86.95
VOC (químico sustituto del cloroformo)	0.300	0.015	> 99
Alacloro	0.050	0.001	> 98
Atrazina	0.100	0.003	> 97
Benceno	0.081	0.001	> 99
Carbofurano	0.190	0.001	> 99
Tetracloruro de carbono	0.078	0.0018	98
Clorobenceno	0.077	0.001	> 99
Cloropincrina	0.015	0.0002	99
2,4-D	0.110	0.0017	98
Dibromocloropropano (DBCP)	0.052	0.00002	> 99
o-Diclorobenceno	0.08	0.001	> 99
p-Diclorobenceno	0.040	0.001	> 98
1,2-dicloroetano	0.088	0.0048	95
1,2-dicloroetano	0.083	0.001	> 99
Cis-1,2-dicloroetileno	0.170	0.0005	> 99
Trans-1,2-dicloroetileno	0.086	0.001	> 99
1,2-dicloropropano	0.080	0.001	> 99
cis-1,3-dicloropropileno	0.079	0.001	> 99
Dinoseb	0.170	0.0002	99
Endrina	0.053	0.00059	99
Etilbenceno	0.088	0.001	> 99
Dibromuro de etileno (EDB)	0.044	0.00002	> 99
Bromocloroacetnitrilo	0.022	0.0005	98
Dibromoacetnitrilo	0.024	0.0006	98
dichloroacetnitrilo	0.0096	0.0002	98
Dicloroacetnitrilo	0.015	0.0003	98
1,2-dicloro-2-propanona	0.0072	0.0001	99
1,1,1-trichloro-2-propanona	0.0082	0.0003	96
Heptacloro (H-34, Heptox)	0.025	0.00001	> 99
Epóxido de heptacloro	0.0107	0.0002	98
Hexaclorociclopentadieno	0.044	0.001	> 98
Hexaclorociclopentadieno	0.060	0.000002	> 99
Lindano	0.055	0.00001	> 99
Metoxicloro	0.050	0.0001	> 99
Pentaclorofenol	0.096	0.001	> 99
Simazina	0.120	0.004	> 97
Styrene	0.150	0.0005	> 99
1,1,2,2-Tetracloroetileno	0.081	0.001	> 99
Tetracloroetileno	0.081	0.001	> 99
Tolueno	0.078	0.001	> 99
2,4,5-TP (silvex)	0.270	0.0016	99
Ácido tribromoacético	0.042	0.001	> 98
1,2,4-Triclorobenceno	0.160	0.0005	> 99
1,1,1-tricloroetano	0.084	0.0046	95
1,1,2-tricloroetano	0.150	0.0005	> 99
Tricloroetileno	0.180	0.0010	> 99
Bromoformo	0.300	0.015	95
Bromodibromometano	0.300	0.015	95
clorodibromometano	0.300	0.015	95
Xileno	0.070	0.001	> 99
Meprobamato	400 +/- 20%	60	> 99
Atenolol	200 +/- 20%	30	> 99
carbamazepina	1400 +/- 20%	200	> 99
DEET	1400 +/- 20%	200	> 99
Metolacoloro	1400 +/- 20%	200	> 99
Trimetoprima	140 +/- 20%	20	> 99
Linuron	140 +/- 20%	20	> 99
TCEP	5000 +/- 20%	700	> 99
TCP	5000 +/- 20%	700	> 99
Fenitoína	200 +/- 20%	30	> 99
Ibuprofeno	400 +/- 20%	60	> 99
Naproxeno	140 +/- 20%	20	> 99
Estrona	140 +/- 20%	20	> 99
Bisfenol A	2000 +/- 20%	300	> 99
Nonyl phenol	1400 +/- 20%	200	> 99
PFOA/PFOS	1.5 mg/L +/- 10%	0.07	99.25

## Pautas de Aplicación/ Parámetros de Suministro de Agua

Flujo de Servicio	0.5 gpm (1.89 lpm)
Suministro de Agua	Agua Potable
Presión del Agua	25-120 psi (172-827 kPa)
Temperatura del agua	33°F-100°F (0.6°C-38°C)
Capacidad	170 galones (643.5 litros)

Es esencial que se cumpla con los requisitos de instalación, mantenimiento y reemplazo de filtros recomendados por el fabricante, a fin de que el producto funcione de acuerdo a como fue promocionado. Para acceder a información sobre la Garantía, consulte el Manual de Instalación.

**NOTA:** Observe que aunque la evaluación se realizó de acuerdo con condiciones estándares de laboratorio, el desempeño puede variar. Reemplazo del Cartucho: RPWFE. Para conocer los costos estimados de los elementos de reemplazo, llame al 1.877.959.8688 o visite nuestro sitio Web en [cafeappliances.com](http://cafeappliances.com).

## ⚠ ADVERTENCIA A fin de reducir el riesgo asociado con la ingestión de contaminantes:

• **No se deben usar con agua que no sea microbiológicamente segura o de calidad desconocida sin una desinfección adecuada, antes o después, del sistema.** Los sistemas certificados para la reducción de quistes se podrían usar en aguas desinfectadas que puedan contener quistes filtrables.

## AVISO

**A fin de reducir el riesgo de pérdidas de agua o inundación, y para asegurar un rendimiento óptimo del filtro:**

- Lea y siga las Instrucciones de uso antes de la instalación y uso de este sistema.
- La instalación y uso **DEBERÁN** cumplir con todos los códigos estatales y locales de plomería
- **No se deberá** instalar si la presión del agua supera los 120 psi (827 kPa). Si la presión del agua es superior a los 80 psi (552 kPa), deberá instalar una válvula limitadora de presión. Si no está seguro sobre cómo controlar la presión del agua, comuníquese con un plomero profesional.
- **No instale** cuando se puedan producir condiciones de golpe de ariete. Si existen condiciones de golpe de ariete, deberá instalar un suspensor de golpes de ariete. Si no está seguro sobre cómo controlar esta condición, comuníquese con un plomero profesional.
- **No instale** en líneas de suministro de agua caliente. La temperatura máxima de funcionamiento del agua para este sistema de filtro es de 100°F (37.8°C).
- Proteja el filtro de heladas. Drene el filtro cuando las temperaturas sean inferiores a 33°F (0.6°C).
- Cambie el cartucho del filtro descartable cada seis meses o antes, si observa una reducción notoria en el promedio del flujo de agua.
- Si no se reemplaza el cartucho del filtro descartable en intervalos recomendados, se podrá producir un rendimiento inferior del filtro y quebraduras en el espacio de colocación del filtro, ocasionando pérdidas de agua o inundación.
- Este sistema fue evaluado de acuerdo con NSF/ANSI 42, 53, 401 y P473 para la reducción de las sustancias que figuran a continuación. La concentración de las sustancias indicadas en agua que ingresa al sistema fue reducida a una concentración inferior o igual al límite permitido de agua que deja el sistema, de acuerdo con lo especificado en NSF/ANSI 42, 53, 401 u P473.



Sistema RPWFE certificado por IAPMO R&T contra los Estándares 42, 53, 401, y P473 de NSF/ANSI para la reducción de demandas especificadas en la ficha técnica de rendimiento en [iapmort.org](http://iapmort.org).



# Ficha Técnica de Funcionamiento del Modelo: XWFE

- Sistema certificado por IAPMO R&T contra los Estándares 42, 53, 401, y P473 de NSF/ANSI para la reducción de demandas especificadas en la ficha técnica de rendimiento y en iapmort.org.
- El rendimiento real podrá variar en relación a las condiciones locales del agua.

Sustancia Evaluada para la Reducción	Concentración del peligro de intrusión (mg/L)	Concentración de aguas máximas permitidas sobre el producto (mg/L)	% Promedio de Reducción
Gusto y Olor a Cloro	2.0 mg/L +/- 10%	N/A	96.9
Gusto y Olor a Cloramina	3.0 mg/L +/- 10%	0.5	96.9
Partícula, Clase I	Por lo menos 10,000 partículas/mL	N/A	91.4
Partícula, Clase I	50,000/L	N/A	>99.99
Plomo	0.15	0.01	98.85
Mercurio	0.006	0.002	96.3
Mercurio	107 to 108 fibras/ L	N/A	>99
Toxafeno	0.015 +/- 10%	0.003	86.95
VOC (químico sustituto del cloroformo)	0.300	0.015	99.7
Alacloro	0.050	0.001	> 98
Atrazina	0.100	0.003	> 97
Benceno	0.081	0.001	> 99
Carbofurano	0.190	0.001	> 99
Tetracloruro de carbono	0.078	0.0018	98
Clorobenceno	0.077	0.001	> 99
Cloropincrina	0.015	0.0002	99
2,4-D	0.110	0.0017	98
Dibromocloropropano (DBCP)	0.052	0.00002	> 99
o-Diclorobenceno	0.08	0.001	> 99
P-Diclorobenceno	0.040	0.001	> 98
1,2-dicloroetano	0.088	0.0048	95
1,2-dicloroetano	0.083	0.001	> 99
Cis-1,2-dicloroetileno	0.170	0.0005	> 99
Trans-1,2-dicloroetileno	0.086	0.001	> 99
1,2-dicloropropano	0.080	0.001	> 99
cis-1,3-dicloropropileno	0.079	0.001	> 99
Dinoseb	0.170	0.0002	99
Endrina	0.053	0.00059	99
Etilbenceno	0.088	0.001	> 99
Dibromuro de etileno (EDB)	0.044	0.00002	> 99
Bromocloroacetoneitrilo	0.022	0.0005	98
Dibromoacetoneitrilo	0.024	0.0006	98
dichloroacetoneitrilo	0.0096	0.0002	98
Dicloroacetoneitrilo	0.015	0.0003	98
1,2-dicloro-2-propanona	0.0072	0.0001	99
1,1,1-tricloro-2-propanona	0.0082	0.0003	96
Heptacloro (H-34, Heptox)	0.025	0.00001	>99
Epóxido de heptacloro	0.0107	0.0002	98
Hexaclorociclopentadieno	0.044	0.001	> 98
Hexaclorociclopentadieno	0.060	0.000002	> 99
Lindano	0.055	0.00001	> 99
Metoxicloro	0.050	0.0001	> 99
Pentaclorofenol	0.096	0.001	> 99
Simazina	0.120	0.004	> 97
Tetracloroetileno	0.150	0.0005	> 99
1,1,2,2-Tetracloroetileno	0.081	0.001	> 99
Tetracloroetileno	0.081	0.001	> 99
Tolueno	0.078	0.001	> 99
2,4,5-TP (silvex)	0.270	0.0016	99
Ácido tribromoacético	0.042	0.001	> 98
1,2,4-Triclorobenceno	0.160	0.0005	> 99
1,1,1-tricloroetano	0.084	0.0046	95
1,1,2-tricloroetano	0.150	0.0005	> 99
Tricloroetileno	0.180	0.0010	> 99
Bromoformo	0.300	0.015	95
Bromodichlorometano	0.300	0.015	95
clorodibromometano	0.300	0.015	95
Xileno	0.070	0.001	>99
Meprobamato	400 +/- 20%	60	95.5
Atenolol	200 +/- 20%	30	95.9
carbamazepina	1400 +/- 20%	200	98.6
DEET	1400 +/- 20%	200	98.6
Metolacoloro	1400 +/- 20%	200	98.7
Trimetoprima	140 +/- 20%	20	96.1
Linuron	140 +/- 20%	20	96.6
TCEP	5000 +/- 20%	700	98.1
TCPP	5000 +/- 20%	700	98.1
Fenitoína	200 +/- 20%	30	96
Naproxeno	400 +/- 20%	60	95.9
Naproxeno	140 +/- 20%	20	96.5
Estrona	140 +/- 20%	20	97.1
Bisfenol A	2000 +/- 20%	300	99.1
Nonyl phenol	1400 +/- 20%	200	97.3

## Pautas de Aplicación/ Parámetros de Suministro de Agua

Flujo de Servicio	0.5 gpm (1.89 lpm)
Suministro de Agua	Agua Potable
Presión del Agua	25-120 psi (172-827 kPa)
Temperatura del agua	33°F-100°F (0.6°C-38°C)
Capacidad	170 galones (643.5 litros)

Es esencial que se cumpla con los requisitos de instalación, mantenimiento y reemplazo de filtros recomendados por el fabricante, a fin de que el producto funcione de acuerdo a como fue promocionado. Para acceder a información sobre la Garantía, consulte el Manual de Instalación.

**NOTA:** Observe que aunque la evaluación se realizó de acuerdo con condiciones estándares de laboratorio, el desempeño puede variar. Reemplazo del Cartucho: XWFE. Para conocer costos estimados de elementos de reemplazo, visite nuestro sitio Web en [cafeappliances.com](http://cafeappliances.com).

## ⚠ ADVERTENCIA

A fin de reducir el riesgo asociado con la ingestión de contaminantes:

- No se deben usar con agua que no sea microbiológicamente segura o de calidad desconocida sin una desinfección adecuada, antes o después, del sistema. Los sistemas certificados para la reducción de quistes se podrían usar en aguas desinfectadas que puedan contener quistes filtrables.

## AVISO

A fin de reducir el riesgo de pérdidas de agua o inundación, y para asegurar un rendimiento óptimo del filtro:

- Lea y siga las Instrucciones de uso antes de la instalación y uso de este sistema.
- La instalación y uso DEBERÁN cumplir con todos los códigos estatales y locales de plomería.
- No se deberá instalar si la presión del agua supera los 120 psi (827 kPa). Si la presión del agua es superior a los 80 psi (552 kPa), deberá instalar una válvula limitadora de presión. Si no está seguro sobre cómo controlar la presión del agua, comuníquese con un plomero profesional.
- No instale cuando se puedan producir condiciones de golpe de ariete. Si existen condiciones de golpe de ariete, deberá instalar un suspensor de golpes de ariete.
- Si no está seguro sobre cómo controlar esta condición, comuníquese con un plomero profesional.
- No instale en líneas de suministro de agua caliente. La temperatura máxima de funcionamiento del agua para este sistema de filtro es de 100°F (37.8°C).
- Proteja el filtro de heladas. Drene el filtro cuando las temperaturas sean inferiores a 33°F (0.6°C).
- Cambie el cartucho del filtro descartable cada seis meses o antes, si observa una reducción notoria en el promedio del flujo de agua.
- Si no se reemplaza el cartucho del filtro descartable en intervalos recomendados, se podrá producir un rendimiento inferior del filtro y quebraduras en el espacio de colocación del filtro, ocasionando pérdidas de agua o inundación.
- Este sistema fue evaluado de acuerdo con NSF/ANSI 42, 53, 401, y P473 para la reducción de las sustancias que figuran a continuación. La concentración de las sustancias indicadas en agua que ingresa al sistema fue reducida a una concentración inferior o igual al límite permitido de agua que deja el sistema, de acuerdo con lo especificado en NSF/ANSI 42, 53, 401, y P473.



Sistema XWFE certificado por IAPMO R&T contra los Estándares 42, 53, 401, y P473 de NSF/ANSI para la reducción de demandas especificadas en la ficha técnica de rendimiento en iapmort.org.



# Soporte para el Consumidor

---

## Sitio Web de Café

¿Desea realizar una consulta o necesita ayuda con su electrodoméstico? ¡Intente a través del Sitio Web de Café las 24 horas del día, cualquier día del año! Usted también puede comprar más electrodomésticos maravillosos de CAFÉ y aprovechar todos nuestros servicios de soporte a través de Internet, diseñados para su conveniencia.  
En EE.UU.: [cafeappliances.com](http://cafeappliances.com)

---

## Registre su Electrodoméstico

¡Registre su electrodoméstico nuevo a través de Internet, según su conveniencia! Un registro puntual de su producto permitirá una mejor comunicación y un servicio más puntual de acuerdo con los términos de su garantía, en caso de surgir la necesidad. También puede enviar una carta en la tarjeta de inscripción preimpresa que se incluye con el material embalado.  
En EE.UU.: [cafeappliances.com/register](http://cafeappliances.com/register)

---

## Servicio Programado

El servicio de reparación de expertos de Café está a sólo un paso de su puerta. Conéctese a través de Internet y programe su servicio a su conveniencia cualquier día del año. En EE.UU.: [cafeappliances.com/service](http://cafeappliances.com/service)

---

## Garantías Extendidas

Adquiera una garantía extendida deCafé y conozca los descuentos especiales que están disponibles mientras su garantía aún está vigente. La puede adquirir en cualquier momento a través de Internet. Los servicios de Café aún estarán allí cuando su garantía caduque.  
En EE.UU.: [cafeappliances.com/extended-warranty](http://cafeappliances.com/extended-warranty)

---

## Piezas y Accesorios

Aquellos individuos calificados para realizar el servicio técnico de sus propios electrodomésticos podrán solicitar el envío de piezas o accesorios directamente a sus hogares (se aceptan las tarjetas VISA, MasterCard y Discover). Ordene hoy a través de Internet durante las 24 horas, todos los días. En EE.UU.: [cafeappliances.com](http://cafeappliances.com).

**Las instrucciones que figuran en este manual cubren los procedimientos que serán realizados por cualquier usuario. Otros servicios técnicos generalmente deben ser derivados a personal calificado del servicio. Se deberá tener cuidado, ya que una reparación indebida podrá hacer que el funcionamiento no sea seguro.**

---

## Contáctenos

Si no se encuentra satisfecho con el servicio que recibió de Café, comuníquese con nosotros a través de nuestro sitio Web con todos los detalles, incluyendo su número telefónico, o escriba a:

En EE.UU.: General Manager, Customer Relations | GE Appliances, Appliance Park | Louisville, KY 40225  
[GEAppliances.com/contact](http://GEAppliances.com/contact)