

REFRIGERATOR INSTALLATION

⚠ WARNING

EXCESSIVE WEIGHT HAZARD

Use the assistance of two or more persons to move or install the refrigerator. Not following these instructions may cause injury to the back and other parts of the body.

UNPACKING

Before installing your refrigerator, remove any tape or temporary stickers. Do not remove any stickers that feature warnings, the model serial number or the technical label of the product located on the back of the refrigerator.

NOTE: Remove protective film on doors before plugging in the unit (on some models).

To remove adhesive tape residue, rub it well with your fingers and a little liquid detergent. Clean with warm water and let dry.

Do not use sharp instruments, rubbing alcohol, flammable liquids or abrasive cleaning products to remove the adhesive tape or glue. These products can damage the surface of your refrigerator. For more information, see the section on "Important Safety Instructions".

The shelves come already installed in their factory position. Remove the shelves and replace them according to your spacing needs.

Moving Your Refrigerator:

Your refrigerator is extremely heavy. Make sure you protect the floor when moving your refrigerator for cleaning or servicing. Always pull your refrigerator straight out when moving it. Do not shift from side to side or "walk" the refrigerator when attempting to move it as this can cause damage to the floor.

⚠ WARNING

EXPLOSION HAZARD



Keep all flammable materials and vapors (such as gasoline) away from the refrigerator. Not following these instructions may cause death, explosion or fire.

⚠ CAUTION:

This appliance is intended to be used in household and similar applications such as: staff kitchen areas in shops, offices and other working environments; farm houses and by clients in hotels, motels and other residential type environments, bed and breakfast type environments, catering and similar non-retail applications.

INSTALLATION

1. To avoid vibration, the unit should be leveled and placed on even floor. If needed, adjust the leveling screws to compensate for an unlevel floor. The front should be slightly taller than the rear to ensure that the doors close properly. The leveling screws can easily be

turned by slightly tilting the front of the refrigerator, turning the leveling screws clockwise to raise it and counter-clockwise to lower it.

2. Install the refrigerator in an area between °F (13 °C) and 110 °F (43 °C). If the surrounding temperature is lower or higher than previously mentioned, it can adversely affect the unit.

3. Do not connect this appliance to a GFCI (Ground Fault Circuit Interrupter) outlet. If the appliance is connected to a GFCI outlet, the outlet's circuit breaker could be tripped. If this problem occurs, reset the GFCI outlet's circuit breaker. If the problem continues, contact a qualified electrician and replace the GFCI outlet with a non-GFCI outlet.

⚠ CAUTION: Avoid placing the unit near heat sources, direct sunlight or humidity.

ONCE INSTALLED

1. Carefully clean your refrigerator and remove and dust accumulated during shipping.

2. Install accessories such as the ice bin, door racks, shelves, etc., in their proper places. These are already packed to prevent any possible damage during shipping.

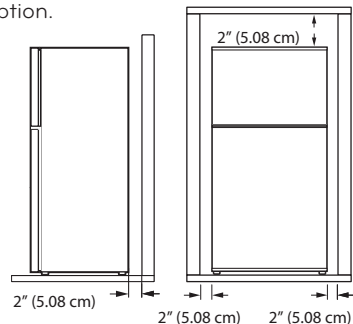
3. Leave your refrigerator on for 2 to 3 hours before storing food inside. Verify that there is a flow of cold air in the freezer compartment to ensure proper cooling. Your refrigerator is now ready for use.

⚠ WARNING:

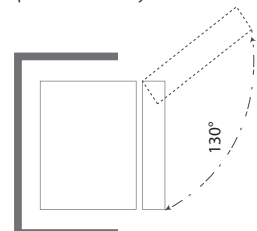
- Take care when working with the hinges, base cover and stops, etc. You may injure yourself.
- DO not place your hands or any tools in the air vents, the base cover or in the bottom of the refrigerator. This may cause injury or electrical shock.

Keep a Proper Distance from Adjacent Objects

Please keep the refrigerator at an adequate distance from other objects. Insufficient spacing can reduce the refrigerator's freezing efficiency and increase electricity consumption.



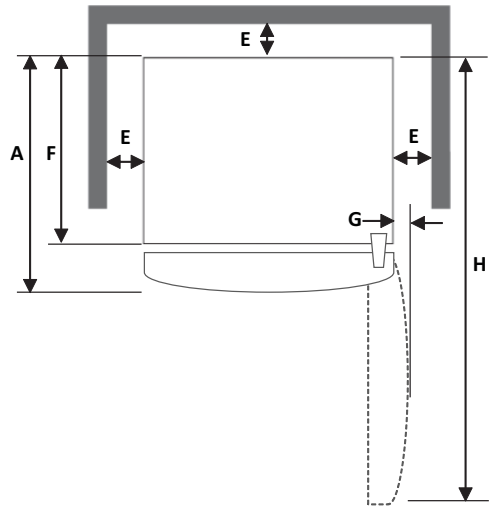
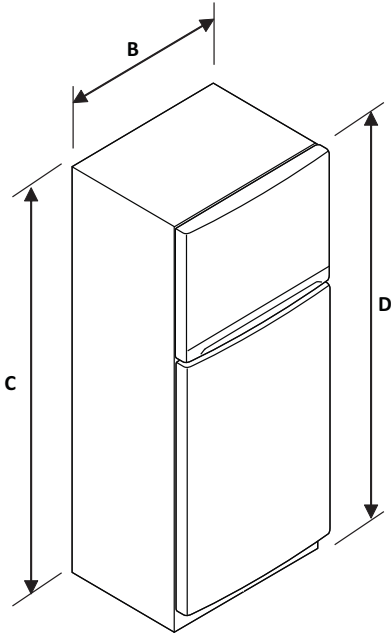
NOTE: When opening doors for a long period of time open carefully until it stops approximately at 130°.



REFRIGERATOR INSTALLATION

DIMENSIONS AND CLEARANCES

- Check the dimensions of the appliance and the installation path to ensure there is sufficient room to move the refrigerator through doors or narrow openings.
- If an opening is too narrow to fit the refrigerator through, remove the refrigerator doors. See How to Remove and Install the Refrigerator Doors in this manual.
- The installation location chosen for the refrigerator should allow space behind the unit for connections and airflow and space in front to open the doors and drawers.
- Too small of a distance from adjacent items may result in lowered freezing capability and increased electricity consumption charges. Allow at least 34 inches (863.6mm) for 23.8 cu.ft. and 31 inches (787.4 mm) for 20.2 cu.ft. model in front of the refrigerator to open the doors, and at least 2 inches (50.8mm) between the back of the refrigerator and the wall.



| - | Dimension/Clearance | 20.2 cu.ft. (572 Lts) | 23.8 cu.ft. (674 Lts) |
|---|-------------------------------------|--------------------------|--------------------------|
| A | Depth | 33.9" (861 mm) | 34" (863.6 mm) |
| B | Width | 29.9" (759.5 mm) | 33" (838.2 mm) |
| C | Height to Top of Case | 65.6" (1,666.9 mm) | 68" (1,727.2 mm) |
| D | Height to Top of Hinge | 66.1" (1,679 mm) | 69" (1,752.6 mm) |
| E | Cabinet Back / Side Clearance | 2" (50.8 mm) | 2" (50.8 mm) |
| F | Depth without Door | 29.5" (749.5 mm) | 29.5" (749.5 mm) |
| G | Door Edge Clearance (Door Open 90°) | 2" (50.8 mm) | 2" (50.8 mm) |
| H | Depth (Total with Door Open 90°) | 60.3" (1,530.4 mm) | 63.3" (1,606.5 mm) |

REFRIGERATOR INSTALLATION

HOW TO REMOVE AND INSTALL THE REFRIGERATOR DOORS

(For additional support on this topic, including helpful videos, please visit us at: www.lg.com).

If entrance is less than 35 inches wide, the refrigerator's door will need to be removed.

IMPORTANT: Before starting, turn off and unplug the refrigerator. Remove all food and the racks from the doors.

TOOLS YOU MIGHT NEED OR USE



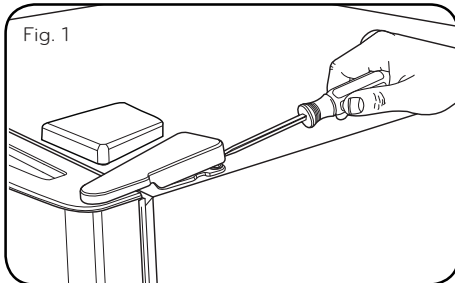
⚠ WARNING

ELECTRICAL SHOCK HAZARD

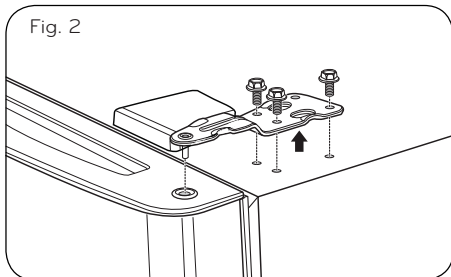
Before you begin, either unplug the refrigerator or turn off the power at the circuit breaker or fuse box. Remove food and any door rack from the refrigerator. Failure to do so could result in death or serious injury.

1. Removing Freezer Door

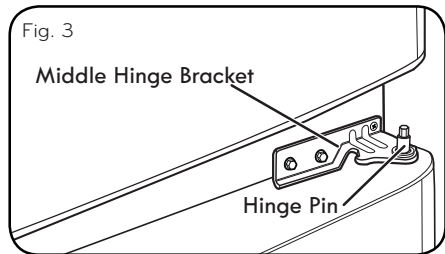
- Gently pry off the Top Hinge Cover with a flat head screwdriver and remove it. See Fig. 1.



- Using 10 mm or 3/8 inch socket wrench, remove the three bolts and lift the Top Hinge (See Fig. 2). Set parts aside.

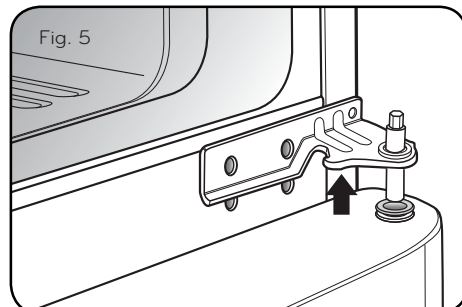
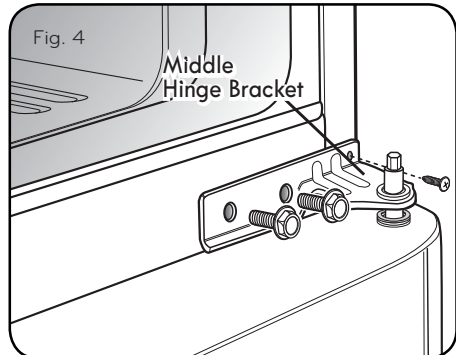


- Lift freezer door slightly and remove it (See Fig. 3) Set parts aside.



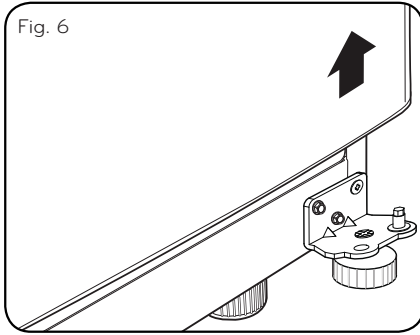
2. Removing Refrigerator Door

- Loosen and remove the two bolts and the screw to remove the middle hinge bracket from refrigerator housing (Figure 4). Set parts aside (Figure 5).



- Lift up door slightly and remove it (See Figure 6).

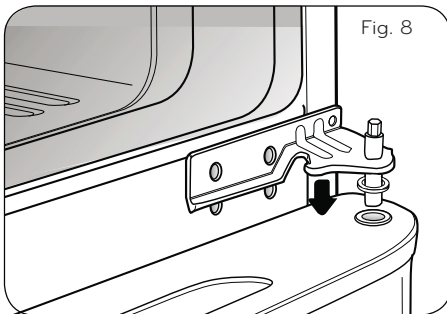
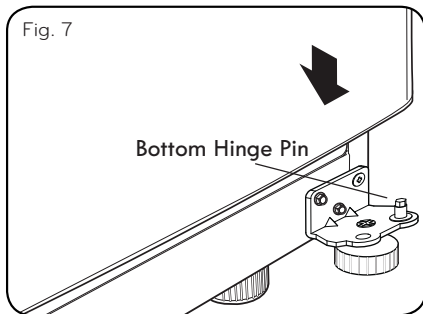
REFRIGERATOR INSTALLATION



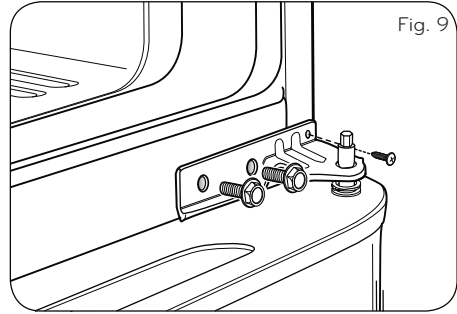
- To replace doors, begin with refrigerator door and then follow with freezer door.

3. Replacing Refrigerator Door

- Set door on Bottom Hinge Pin (See Figure 7).
- Place hinge pin of middle bracket inside the hinge pin insert on the top of the door (See Figure 8). Hold the door in place and line up the hinge with the holes in the refrigerator housing.

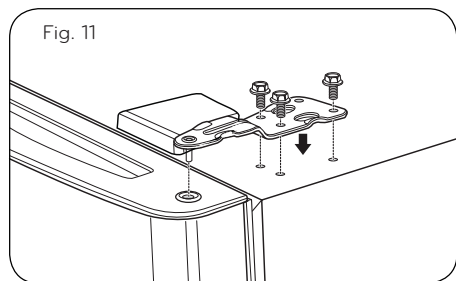
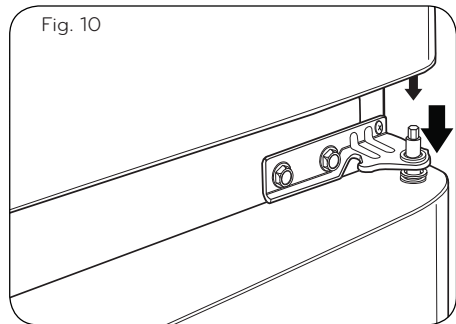


- Use the two bolts and the screw to refasten the middle hinge with the refrigerator housing. See Figure 9.

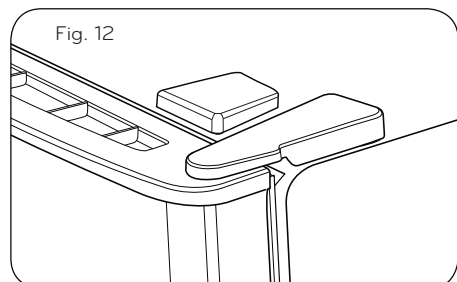


4. Replacing Freezer Door

- Set the freezer door onto the Middle Hinge pin (Figure 10).
- Place upper hinge in the top of the freezer door and line up the hinge with the holes in top of refrigerator. Use the three bolts to fasten the hinge (See Figure 11).



- Carefully, force the top hinge cover back into place over hinge (See Figure 12).



REFRIGERATOR INSTALLATION

HOW TO REVERSE AND INSTALL THE REFRIGERATOR DOORS (on some models)

You may find it more convenient to have the doors converted from the left opening type (factory installed) to the right opening type. Directions refer to the right side as the side on your right as you face the unit.

⚠ CAUTION

Door reversal must be done by an authorized installer or service person. If it is not, the doors will not be covered by the warranty.

TOOLS YOU MIGHT NEED OR USE



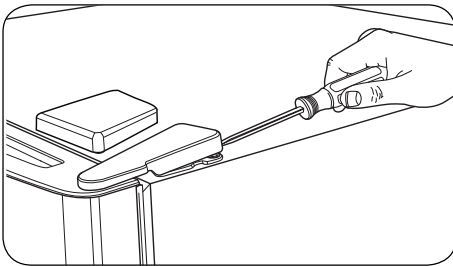
⚠ WARNING

ELECTRICAL SHOCK HAZARD

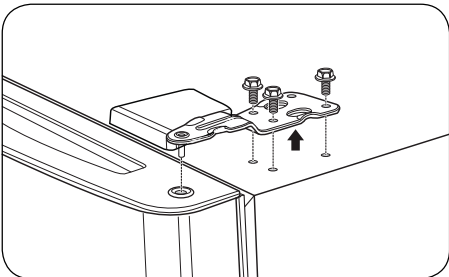
Before you begin, either unplug the refrigerator or turn off the power at the circuit breaker or fuse box. Remove food and any door rack from the refrigerator. Failure to do so could result in death or serious injury.

1. Removing Freezer Door

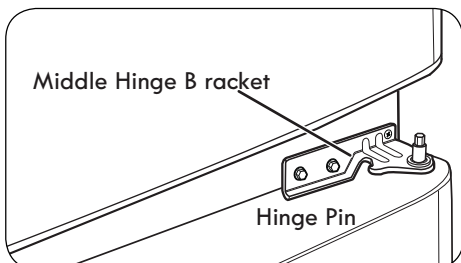
Gently pry off the top hinge cover with a flat head screwdriver and remove.



Using 10mm or 3/8 inch socket wrench, remove the three bolts and lift off the top hinge. Set parts aside

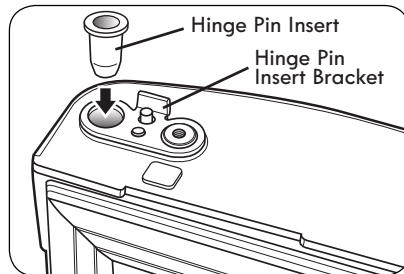


Slightly lift up the refrigerator door and remove it.

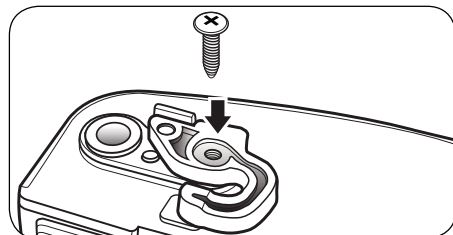


Turn the freezer door upside down on a non-scratch surface. Loosen the screw to remove the Door Closer/Stop and Hinge Pin Insert.

Move the Hinge Pin Insert Bracket to the other side of the door, keeping the same orientation, and move the Hinge Pin Insert into the hole on the left side of the bracket.

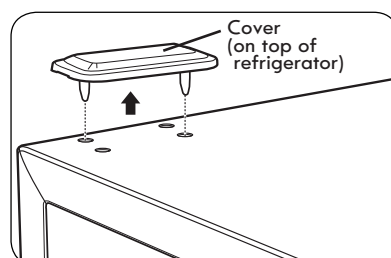


Reverse the Door Closer/Stop by flipping it over. Place it on top of the Hinge Pin Insert Bracket, and tighten both down with the screw.



Pry off the cover on the top left side of the refrigerator to uncover the screw holes.

Set the freezer door and top hinge parts to the side and remove the refrigerator door.

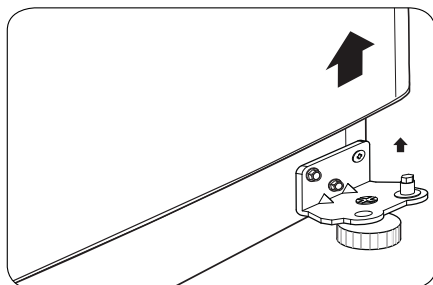
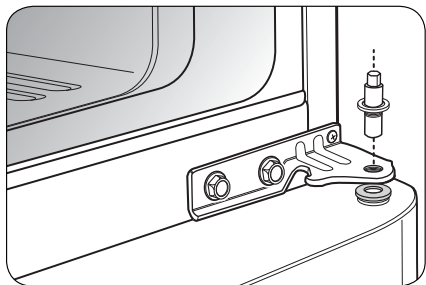


REFRIGERATOR INSTALLATION

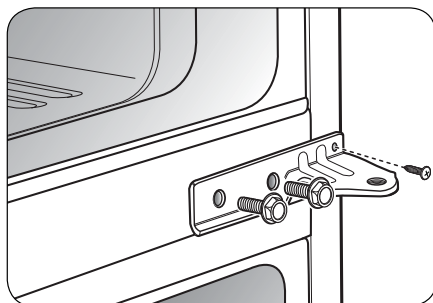
2. Reversing and Reinstalling Refrigerator Door

Using a 1/4" socket wrench, loosen and remove Hinge Pin from the Middle Hinge Bracket. Remove washer underneath the middle hinge and set aside.

NOTE: At this point the door will be loose. Slightly lift the door and remove it.

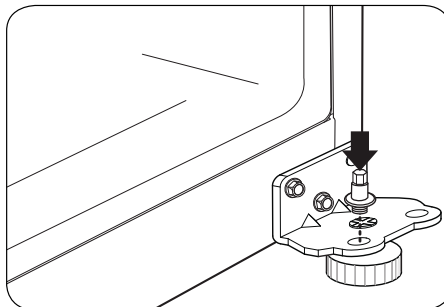
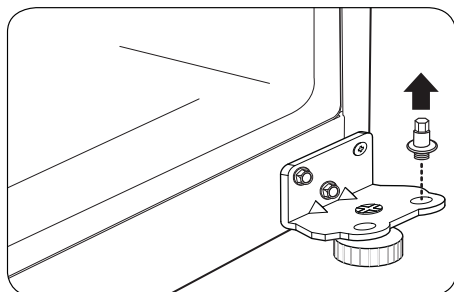


Loosen and remove the two bolts and use the Phillips head screwdriver to remove the Middle Hinge Bracket from the refrigerator housing. Set parts aside.

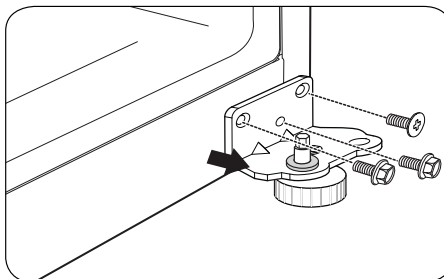


Remove the washer from the Bottom Hinge Pin. Using a 1/4" socket wrench, loosen and remove the Hinge Pin from the Bottom Hinge. Reattach the Hinge Pin to the opposite side of the hinge.

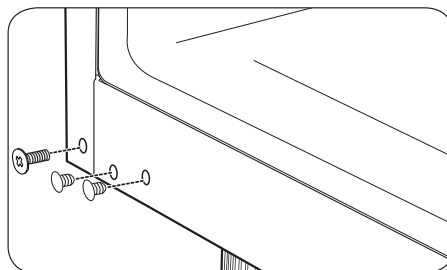
NOTE: This is easier to do while the hinge is still attached.



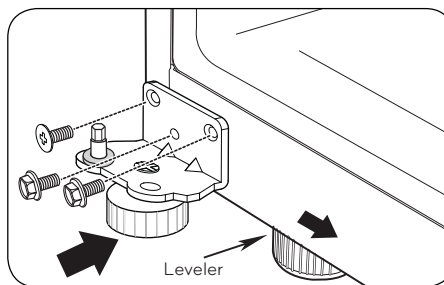
Using a 3/8" socket wrench with a 2-Inch extension and screwdriver, loosen the two bolts and one screw, and remove the Bottom Hinge from right side of the housing.



Remove the Decorative Caps on the bottom of the refrigerator housing. You will need these holes for the Bottom Hinge.



Move the Bottom Hinge to the left side of the housing, keeping the same orientation, and reattach with the two bolts and one screw. The flat screw must be placed on the exterior side of the hinge. Move the Decorative Bolt to the hole on the lower right side of the housing.

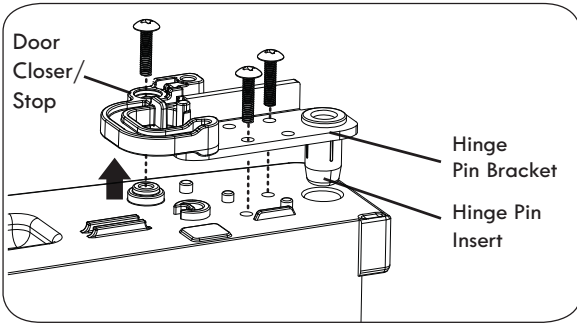


Turn the refrigerator door upside down on a nonscratching surface. Loosen the two screws to remove the Bottom Hinge Pin Insert Bracket with the Hinge Pin Insert.

⚠ WARNING: If you reinstall or replace doors, move the leveler to the opposite site.

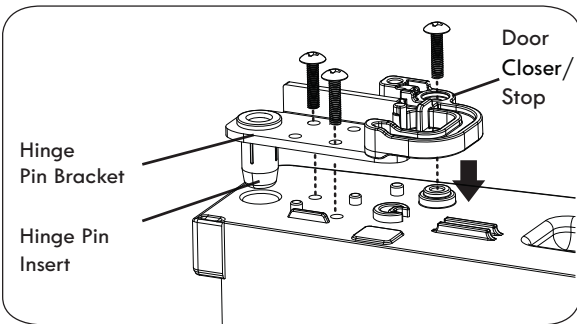
NOTE: The leveler is only present on some models.

REFRIGERATOR INSTALLATION

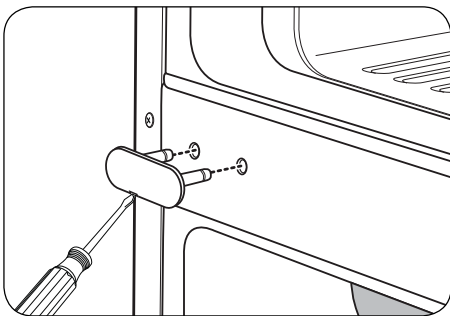


Reverse the Door Closer/Stop by flipping it over. Place it on top of the Hinge Pin Insert Bracket, and tighten both down with the screw. Tighten the Hinge Pin Bracket to the door.

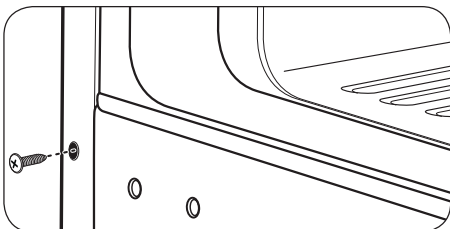
NOTE: The Door Closer Stop is only presented on some models.



With a flat-head screwdriver, carefully pry off and remove the cover over the screw holes on the left side of refrigerator housing.

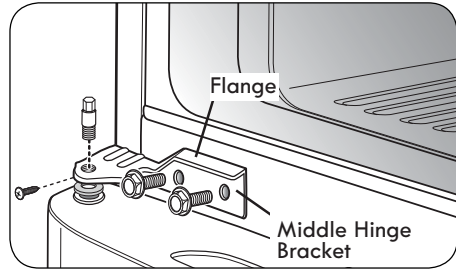


Remove the outer lower Decorative Screw from the housing at the area between the freezer and refrigerator doors. (You will need this hole for the Middle Hinge Bracket.)

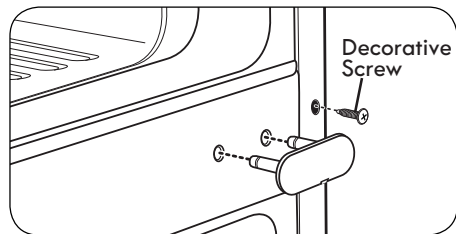


Flip the Middle Hinge Bracket, (flange will now be on top) position it on left side of the refrigerator and reattach with two bolts and a Phillips screwdriver. Place the refrigerator door down over the pin on the bottom hinge. Place the washer between the refrigerator door and middle hinge and re-attach Hinge Pin to Hinge Bracket with a 1/4" socket wrench.

NOTE: Bracket has been flipped, but Hinge Pin stays in the same orientation with its hexagonal end facing upward.

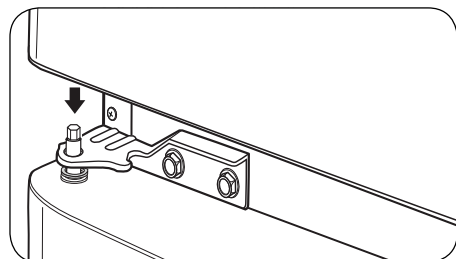


Insert the Decorative Screw into the outer hole on the right side of the housing. Attach cover on the right side. Cover is force-fitted.



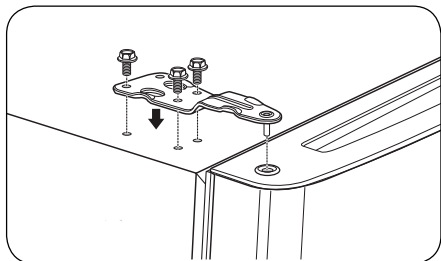
REATTACHING THE DOORS

Place the freezer door down over the Hinge Pin on the Middle Hinge Pin Bracket.

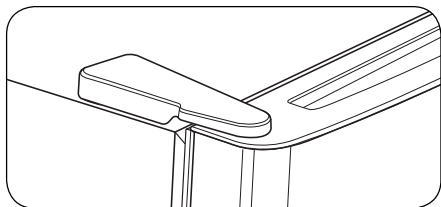


Place the Upper Hinge Pin on top of the freezer door and line up the Upper Hinge with holes on top of the refrigerator. Use the three bolts to replace the Hinge.

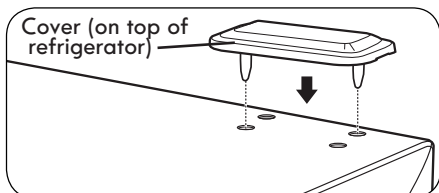
REFRIGERATOR INSTALLATION



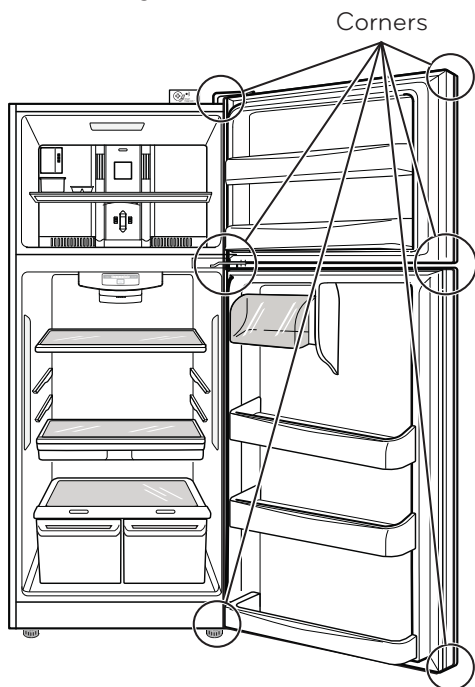
Tighten the bolts. Force-fit Top Hinge Cover over Top Hinge.



Replace cover on the top left side of the refrigerator to the right top to cover the holes. Cover is also force-fitted.



After changing doors, make sure that the corners of the Door Gaskets are not folded over. To ensure a good seal, apply a small amount of silicon grease on the corners of gaskets.



CLOSING THE DOORS AND LEVELING

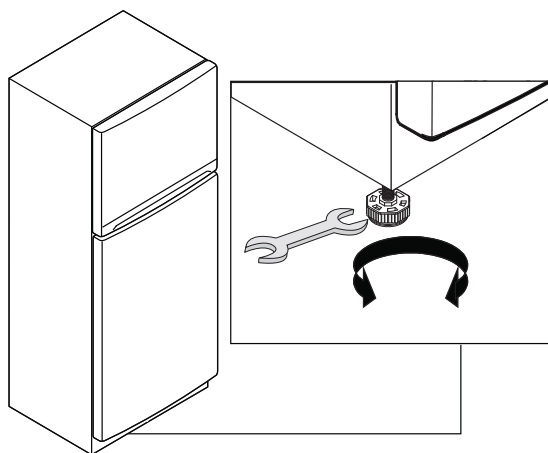
To avoid vibration, the unit must be leveled. If necessary, adjust the leveling legs to compensate for unevenness of the floor. The front should be slightly higher than the rear to aid in door closing.

The refrigerator has two front leveling legs, one on the right and one on the left. If your refrigerator seems unstable or if you would like the doors to close more easily, simply adjust the tilt of the refrigerator by following the instructions below:

1. Plug the refrigerator into a 3 prong grounded outlet. Move the refrigerator into its final position.
2. Use an 11/16" (18 mm) wrench or an adjustable wrench to adjust the leveling legs, turn the leveling legs to the left to raise that side of the refrigerator or to the right to lower it. It may take several turns of the leveling leg to adjust the tilt of the refrigerator.

NOTE: Having someone push against the top of the refrigerator takes some weight off the leveling legs. This will make it easier to adjust the level.

3. Open both doors again and check to make sure that they close easily. If they don't, tilt the refrigerator slightly more to the rear by turning both leveling legs to the left. It may take several more turns, and you should extend both legs the amount.



Door Alignment

If the space between your doors is uneven, follow the instructions below to align the doors:

1. Gently pry off the Top Hinge Cover with a flat head screwdriver and remove.
2. Loosen the Top Hinge Bolts using a 10 mm or 13/32 inch socket wrench or open-end wrench.
3. Have someone hold the freezer door so the space between the two doors is even, and retighten the top hinge bolts.
4. Replace the Top Hinge Cover.