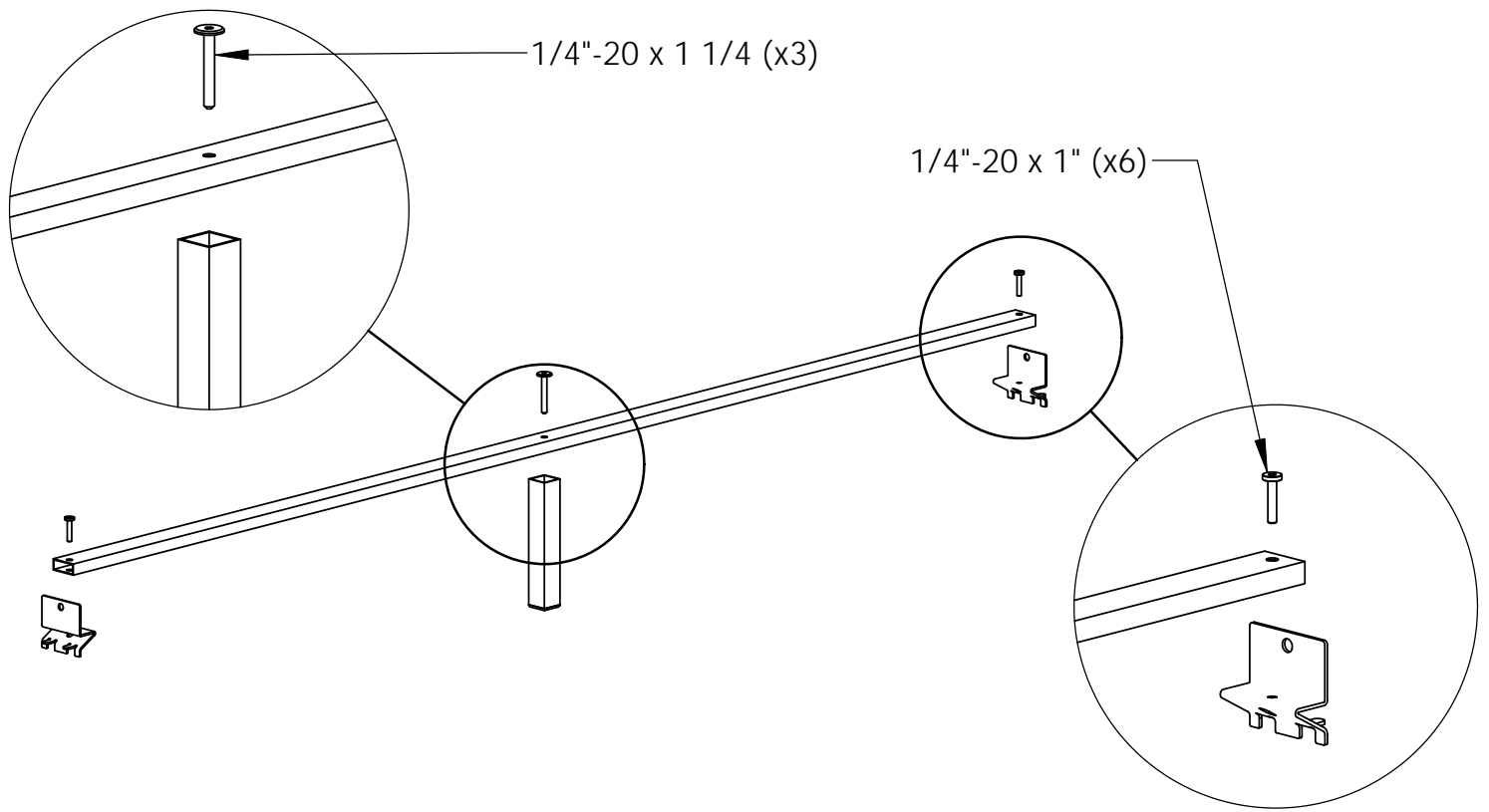
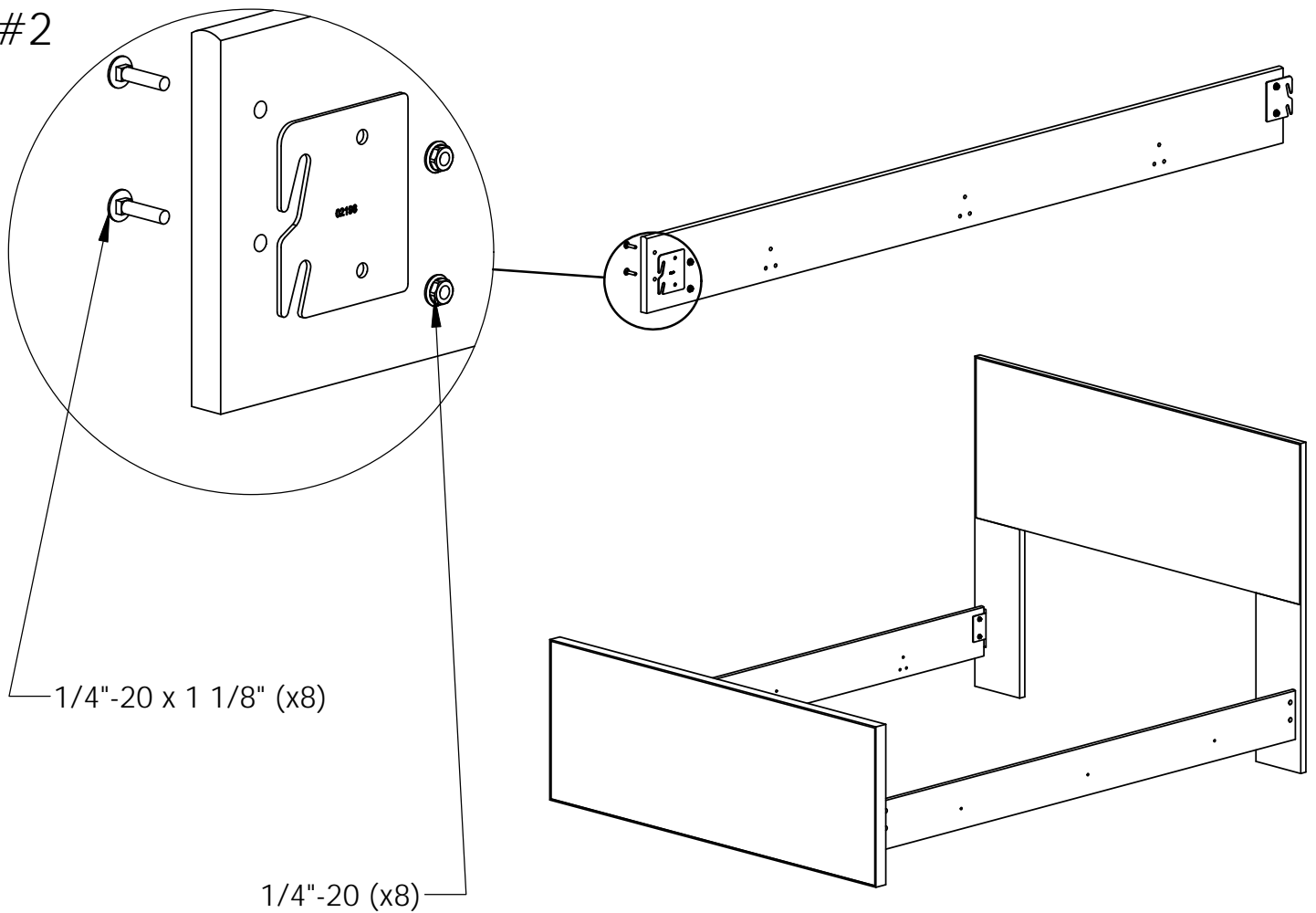


#1

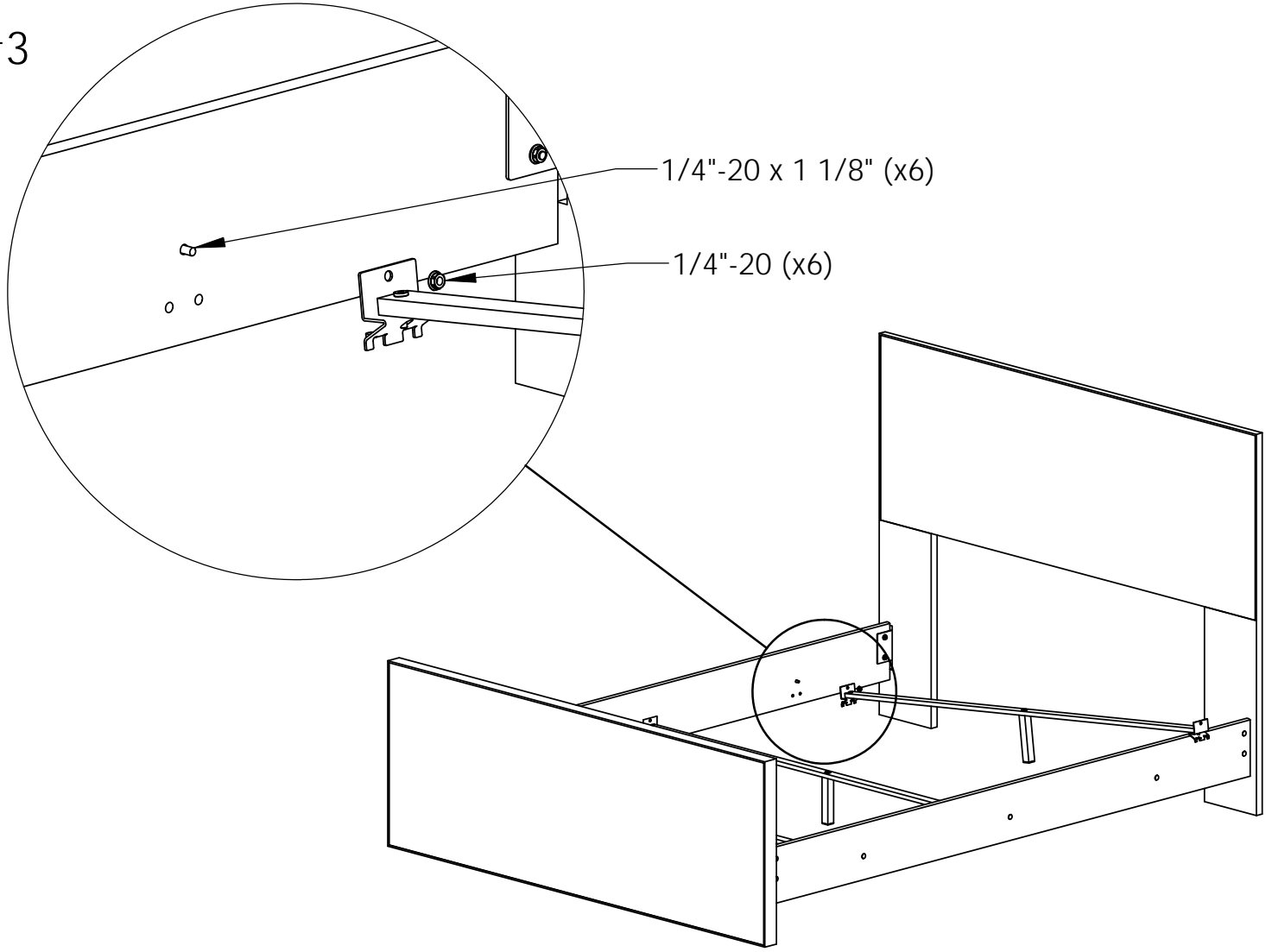
DWG#: 161649		5/19/2008	
Rev.	Description	Date	Cad/Eng



#2



#3



#4

