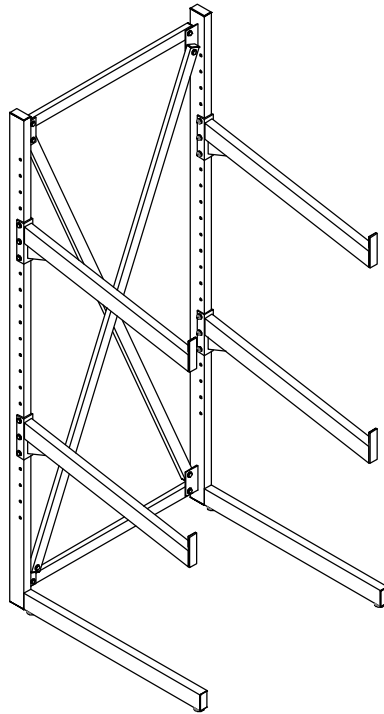


ASSEMBLY INSTRUCTIONS
COASTER FINE FURNITURE



Fine Furniture for every stage of life

500500
SOFA BED RACK

REVISION 0 : 09/06/2021
REVISION 1 : 08/25/2023

ITEM:500500



ASSEMBLY INSTRUCTIONS

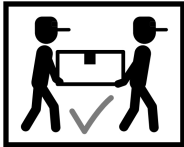
ASSEMBLY TIPS:

1. Remove hardware from box and sort by size.
2. Please check to see that all hardware and parts are present prior to start of assembly.
3. Please follow attached instructions in the same sequence as numbered to assure fast & easy assembly.



WARNING!

1. Don't attempt to repair or modify parts that are broken or defective. Please contact the store immediately.
2. This product is for home use only and not intended for commercial establishments.

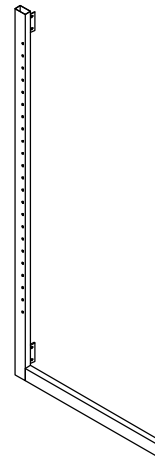


ASSEMBLY TIME 50 MINUTES

PARTS IDENTIFICATION

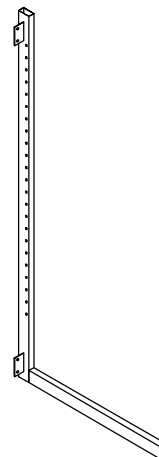
AN LEFT RACK POST

1PC



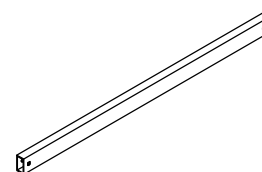
BN RIGHT RACK POST

1PC



CN SHORT RACK SUPPORT

2PCS



ITEM:500500

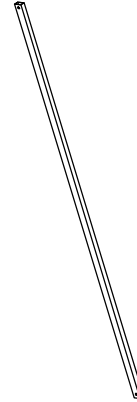
ASSEMBLY INSTRUCTIONS

PARTS IDENTIFICATION



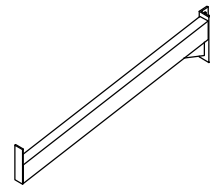
DN LONG RACK SUPPORT

2PCS



EN RACK ARM

4PCS



ZN

HARDWARE IDENTIFICATION

1 SHORT HEX BOLT
(3/8" x 45mm BLK)



8PCS

2 LONG HEX BOLT
(3/8" x 65mm BLK)



12PCS

3 FLAT WASHER
(3/8" x 25mm BLK)



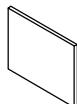
40PCS

4 HEX NUT
(3/8" BLK)



20PCS

5 STICKER
(60 x 40mm)



4PCS

6 LEG PAD
(3/8" x 32mm)



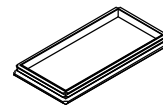
4PCS

7 SMALL CAP
(25 x 50mm BLK)



8PCS

8 LARGE CAP
(40 x 80mm BLK)



6PCS

9 WRENCH



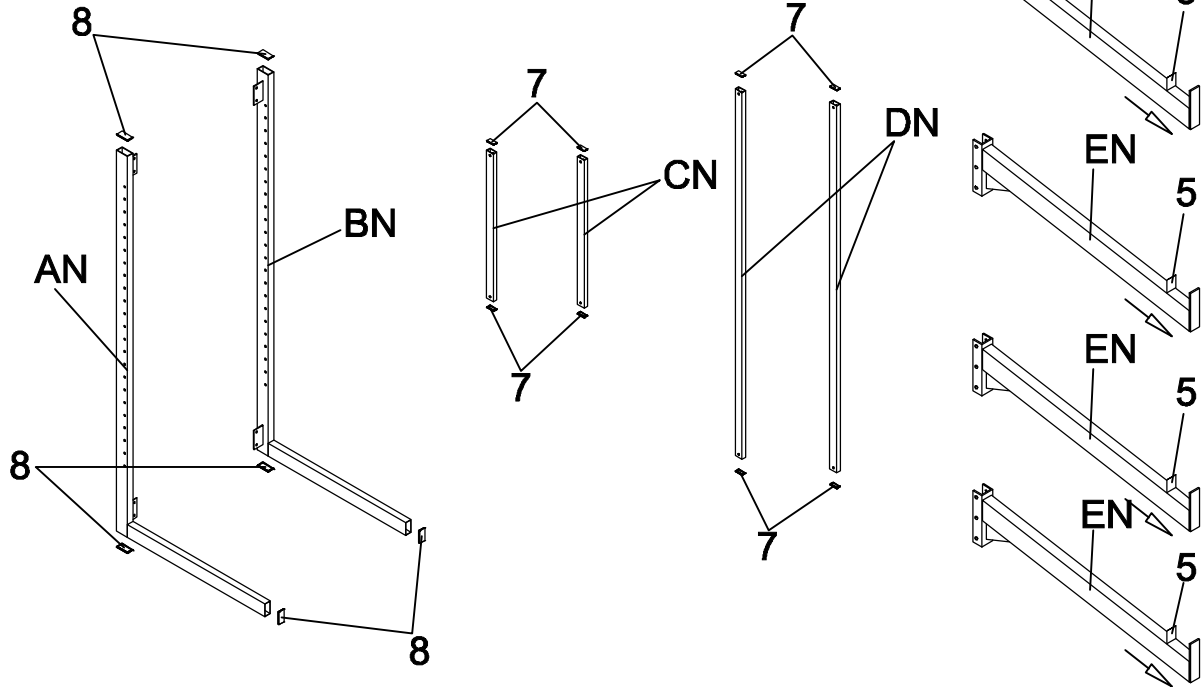
2PCS

ITEM:500500

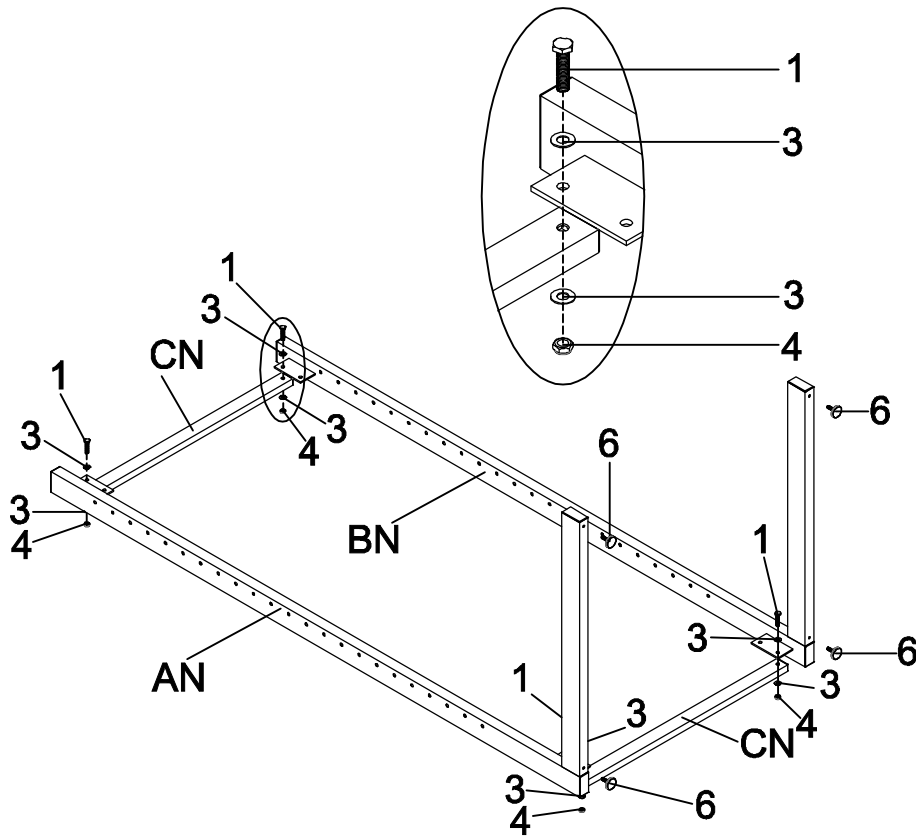


ASSEMBLY INSTRUCTIONS

STEP 1 Do not tighten until each step is completed or instructed.



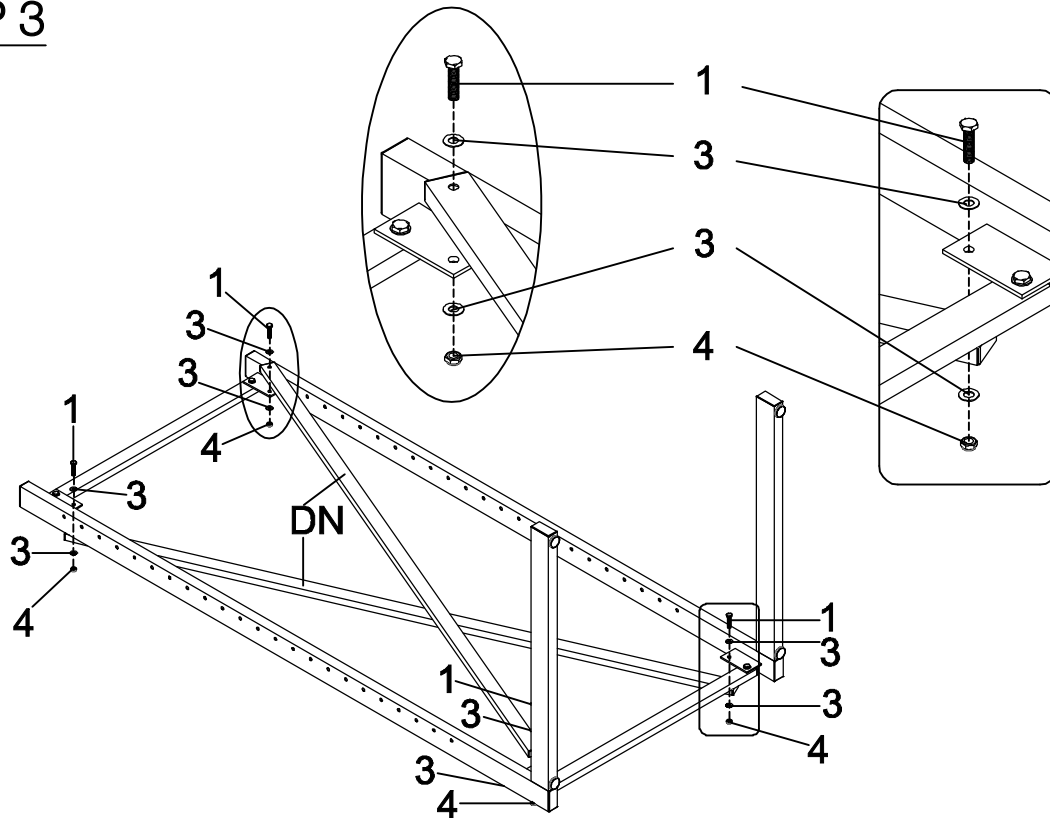
STEP 2



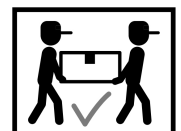
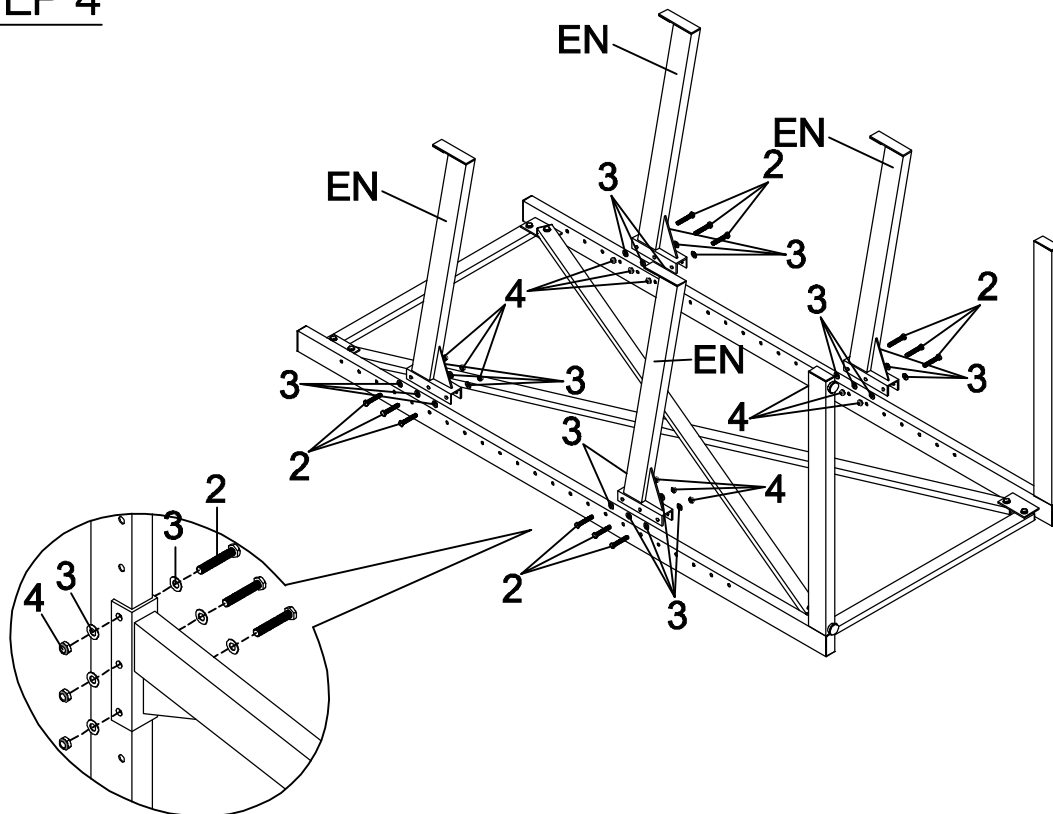
ITEM:500500

ASSEMBLY INSTRUCTIONS

STEP 3



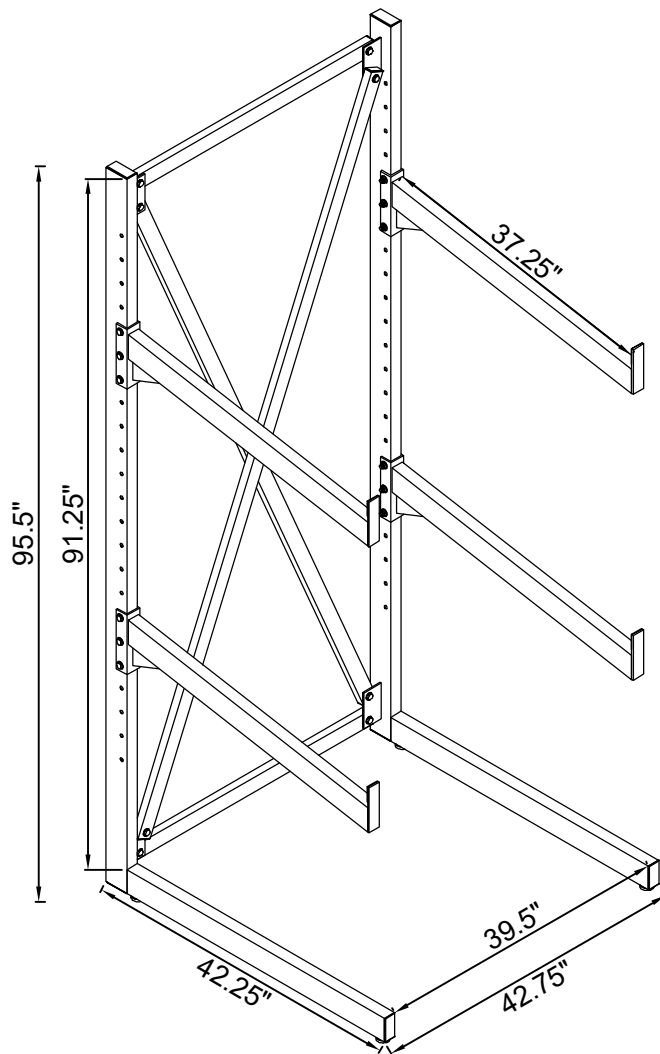
STEP 4



ITEM:500500 ASSEMBLY INSTRUCTIONS



Product Size : 1086 X 1073 X 2426 H (MM)
Product Size : 42.75" X 42.25" X 95.5"



Note : Dimension tolerance $\pm 5\%$