

# JENNAIR® BUILT-IN COFFEE SYSTEM MACHINE À ESPRESSO ENCASTRÉE JENNAIR®

---

## Use & Care Guide

For questions about features, operation/performance, parts, accessories, or service in the U.S.A.,  
call: **1-800-JENNAIR (1-800-536-6247)** or visit our website at **www.jennair.com**.  
In Canada, call: **1-800-JENNAIR (1-800-536-6247)** or visit our website at **www.jennair.ca**.

---

## Guide d'utilisation et d'entretien

Pour des questions à propos des caractéristiques, du fonctionnement/rendement, des pièces, accessoires ou dépannage,  
composer le : **1-800-JENNAIR (1-800-536-6247)** ou visitez notre site Web au **www.jennair.com**.  
Au Canada, composer le **1 800 JENNAIR (1 800 536-6247)** ou visiter notre site Web au **www.jennair.ca**.



---

## TABLE OF CONTENTS

<b>COFFEE SYSTEM SAFETY</b> .....	<b>3</b>
<b>PARTS AND FEATURES</b> .....	<b>4</b>
<b>BEFORE USING THE COFFEE SYSTEM</b> .....	<b>6</b>
<b>COFFEE SYSTEM USE</b> .....	<b>7</b>
Settings .....	7
Selecting Coffee Strength.....	10
Making Coffee or Espresso Using Coffee Beans .....	10
Selecting the Coffee Size.....	11
Adjusting the Coffee Mill .....	11
Making Coffee using Pre-Ground Coffee .....	12
Making Milk-Based Hot Drinks .....	12
Delivering Hot Water .....	14
Steam Delivery .....	14
<b>COFFEE SYSTEM CARE</b> .....	<b>14</b>
General Cleaning.....	14
<b>TROUBLESHOOTING</b> .....	<b>17</b>
<b>ASSISTANCE OR SERVICE</b> .....	<b>22</b>
In the U.S.A. ....	22
In Canada .....	22
<b>WARRANTY</b> .....	<b>23</b>

---

## TABLE DES MATIÈRES

<b>SÉCURITÉ DE LA MACHINE À ESPRESSO</b> .....	<b>24</b>
<b>PIÈCES ET CARACTÉRISTIQUES</b> .....	<b>25</b>
<b>AVANT D'UTILISER LA MACHINE À ESPRESSO</b> .....	<b>27</b>
<b>UTILISATION DE LA MACHINE À ESPRESSO</b> .....	<b>28</b>
Settings (réglages).....	28
Sélection de l'intensité du café.....	32
Préparer une boisson ou un espresso en utilisant des grains de café.....	32
Sélection de la taille de la tasse de café.....	33
Réglage du moulin à café .....	33
Préparer une boisson en utilisant du café déjà moulu .....	33
Préparer une boisson à base de lait .....	34
Verser de l'eau chaude.....	35
Préparation de vapeur.....	35
<b>ENTRETIEN DE LA MACHINE À ESPRESSO</b> .....	<b>36</b>
Nettoyage général.....	36
<b>DÉPANNAGE</b> .....	<b>39</b>
<b>ASSISTANCE OU DÉPANNAGE</b> .....	<b>44</b>
Aux É.-U. ....	44
Au Canada.....	44
<b>GARANTIE</b> .....	<b>45</b>

# COFFEE SYSTEM SAFETY

## Your safety and the safety of others are very important.

We have provided many important safety messages in this manual and on your appliance. Always read and obey all safety messages.



This is the safety alert symbol.

This symbol alerts you to potential hazards that can kill or hurt you and others.

All safety messages will follow the safety alert symbol and either the word "DANGER" or "WARNING."

These words mean:

**⚠ DANGER**

**You can be killed or seriously injured if you don't immediately follow instructions.**

**⚠ WARNING**

**You can be killed or seriously injured if you don't follow instructions.**

All safety messages will tell you what the potential hazard is, tell you how to reduce the chance of injury, and tell you what can happen if the instructions are not followed.

## IMPORTANT SAFETY INSTRUCTIONS

**WARNING:** To reduce the risk of fire, electric shock, or injury to persons when using the appliance, follow basic precautions, including the following:

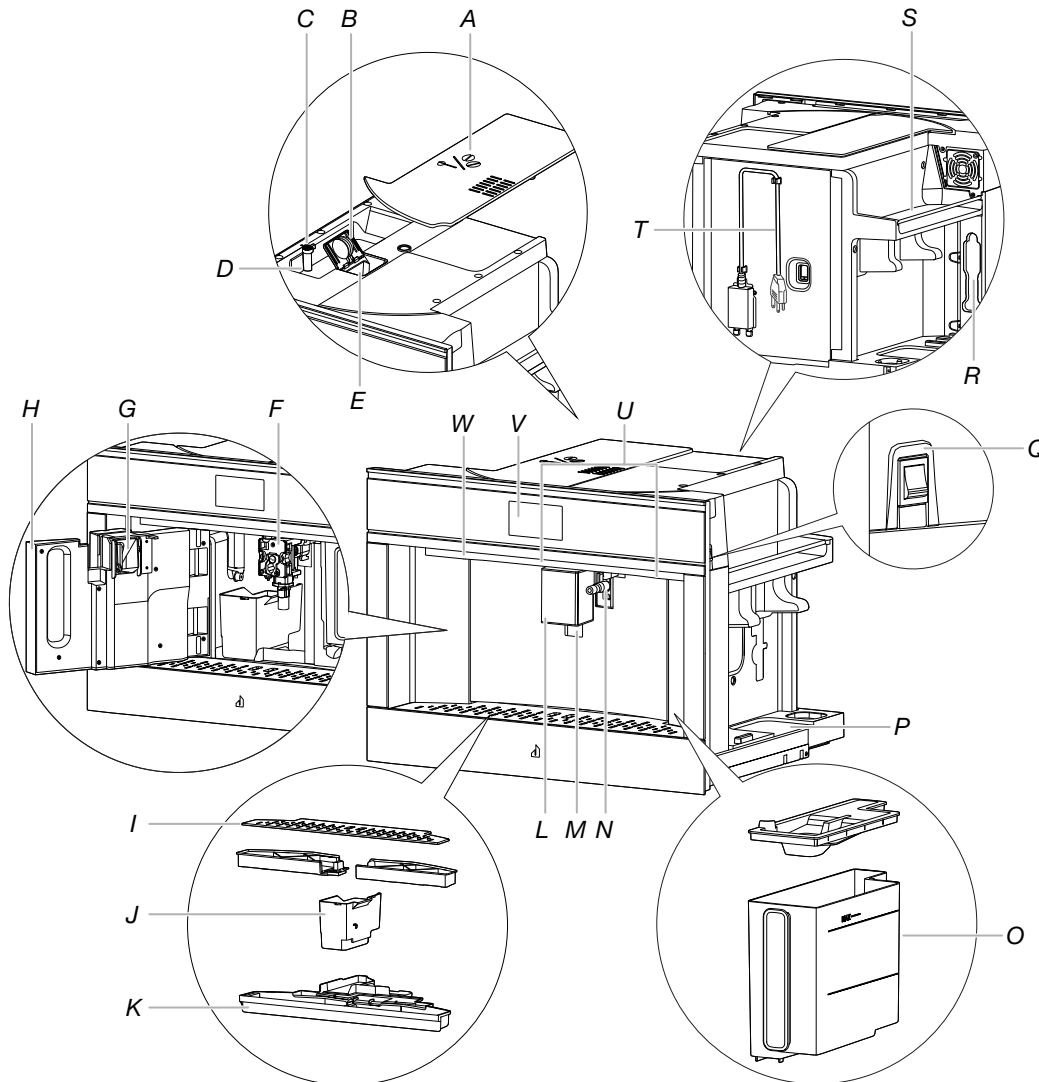
- Read all instructions before using the appliance.
- Do not touch hot surfaces. Use handles or knobs.
- To protect against fire, electric shock and personal injury do not immerse cord, plugs, or appliance in water or other liquids.
- The appliance is not intended for use by young children or infirm persons without supervision.
- Unplug from outlet when not in use and before cleaning. Allow to cool before putting on or taking off parts, and before cleaning.
- Do not operate any appliance with a damaged cord or plug, or after appliance malfunctions or has been damaged in any manner. Return the appliance to the nearest authorized service center for examination, repair or adjustment.
- The use of accessory attachments not recommended by the appliance manufacturer may result in fire, electric shock, or personal injury.
- Do not use outdoors.
- Do not let cord hang over edge of table or counter, or touch hot surfaces.
- Do not place on or near a hot gas or electric burner, or in a heated oven.
- Always switch the appliance off, then plug cord into the wall outlet. To disconnect, turn the appliance off, then remove plug from wall outlet.
- Do not use appliance for other than intended use.
- Use extreme caution when using hot steam.
- Check hopper for presence of foreign objects before using.

**SAVE THESE INSTRUCTIONS**

# PARTS AND FEATURES

This manual covers several models. The coffee system you have purchased may have some or all of the items listed. The locations and appearances of the features shown here may not match those of your model.

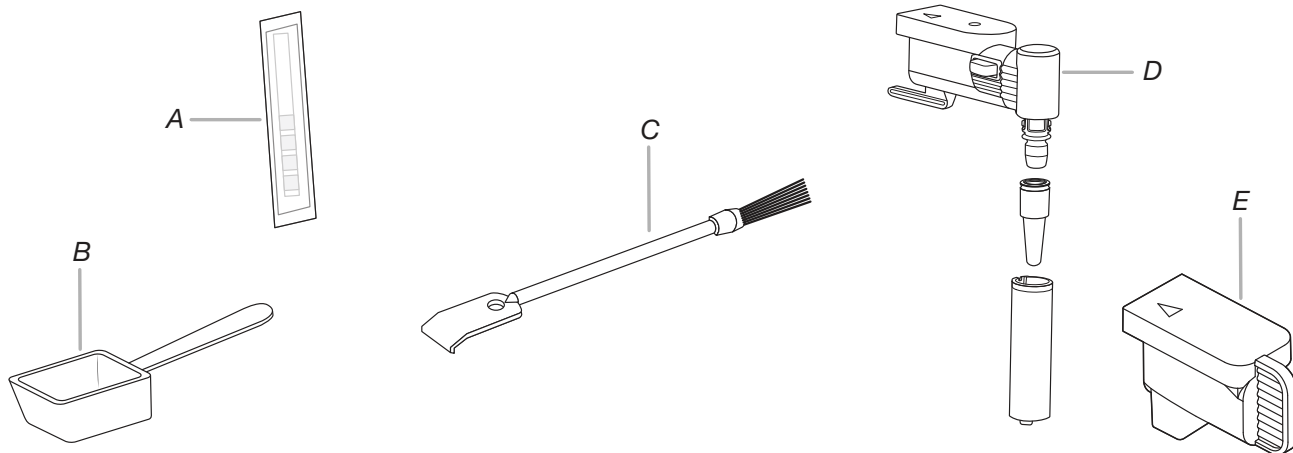
## Coffee System:



- A. Beans container lid
- B. Pre-ground door
- C. Grinding adjustment dial
- D. Beans container
- E. Ground coffee funnel
- F. Infuser
- G. Coffee guide
- H. Service door
- I. Cup holder tray
- J. Coffee grounds container
- K. Drip tray
- L. Coffee spouts (adjustable height)

- M. Lights to illuminate cup
- N. Hot water/steam connection nozzle
- O. Water tank
- P. Storage tray
- Q. Main ON/OFF switch
- R. Measure holder
- S. Cup warming ledge
- T. Power cord
- U. Lighting to illuminate interior compartment
- V. Control panel
- W. On/standby button

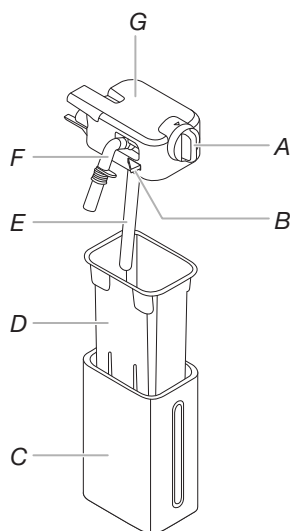
## Accessories:



A. "Total Hardness Test" indicator paper  
B. Ground coffee measure  
C. Cleaning brush

D. Hot water/steam spout  
E. Connection nozzle cover

## Milk and Accessories Container:



A. Froth adjustment and CLEAN  
function dial  
B. Lid release buttons  
C. Thermal casing

D. Milk container  
E. Milk intake tube  
F. Adjustable frothed milk spout  
G. Lid with milk frother

\*Water filter not available on this model.

# BEFORE USING THE COFFEE SYSTEM

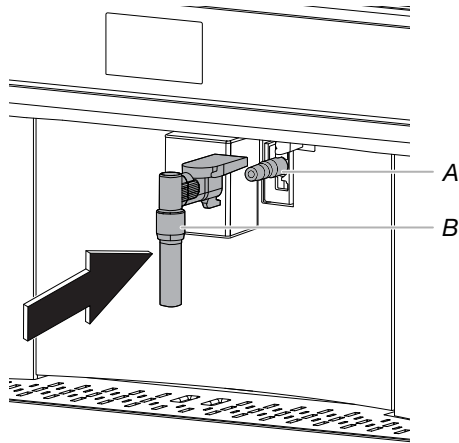
**NOTE:** This product is intended for household use only.

Coffee has been used to factory test the machine. It is completely normal for there to be traces of coffee in the mill.

Customize water hardness as soon as possible. See “Water Hardness” in the “Settings” section.

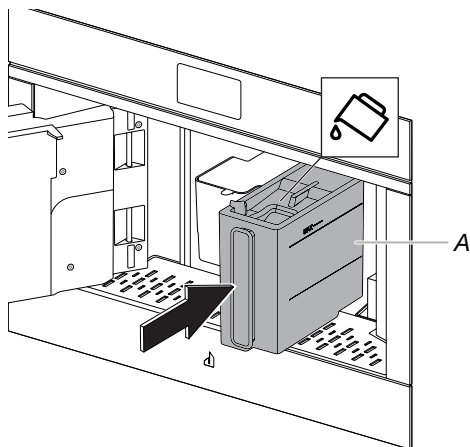
**IMPORTANT:** Complete the following steps before the coffee system is used for the first time.

1. **INSERT WATER OUTLET:** Check that the hot water/steam spout is inserted on the connection nozzle.



A. Hot water and steam nozzle  
B. Hot water spout

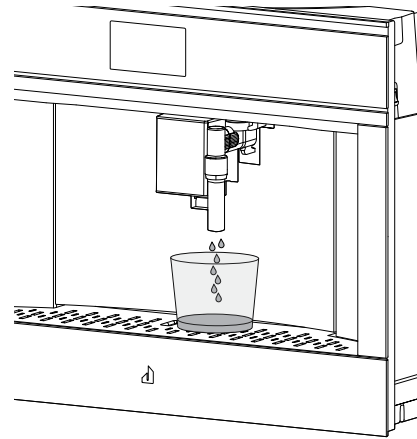
2. Turn on the coffee system. First, make sure the main ON/OFF switch is in the ON position. Then, press the On/Standby button to turn on the coffee system. Location of the buttons can be found under “PARTS AND FEATURES.”
3. To select a language, press < or > until the flag corresponding to the required language appears on the display, then press the flag.
4. **FILL WATER TANK WITH FRESH WATER:** Remove the water tank, open the lid and fill to the MAX line with fresh water. Replace water tank.



A. Water tank

5. Place a container with a minimum capacity of 1/2 cup (100 mL) underneath.

WATER CIRCUIT EMPTY PRESS OK TO START FILLING PROCESS will show on display. Press ✓ OK to confirm.

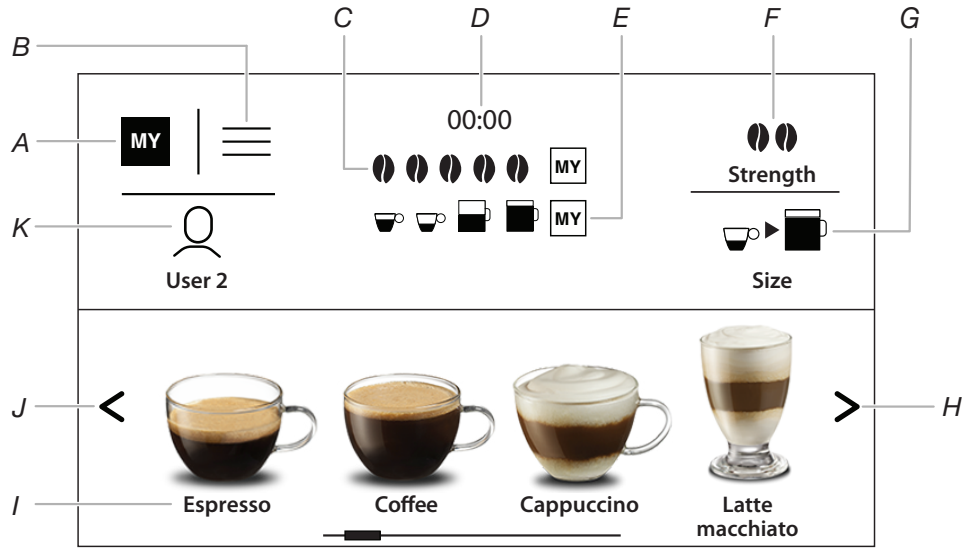


6. The coffee system will deliver fresh water from the spout then turns off automatically. The coffee system is now ready for normal use.

## NOTES:

- When first using the coffee system, you need to make 4-5 cappuccinos before the coffee system gives good results.
- Before turning the coffee system on, make sure the main switch is turned on. Each time the coffee system is turned on, it performs an automatic preheat and rinse cycle which cannot be interrupted. The coffee system is ready for use only after the cycle is complete.

# COFFEE SYSTEM USE



- A. Menu to customize beverages settings
- B. Appliance settings menu
- C. Selected strength
- D. Clock
- E. Selected size
- F. Strength selection

- G. Size selection
- H. Right scroll arrow
- I. Selectable drinks (press on the scrolling arrows to see all the drinks)
- J. Left scroll arrow
- K. Customizable profiles (see "Memorizing Your Personal Profile")

## Settings

You can control several settings through the Settings Menu: Rinsing, Beep, Statistics, Cup Warmer, Water Hardness, Auto-Off, Coffee Temperature, Descaling, Auto-Start, Set Language, Set Time, Cup Lighting, Drink Settings, Energy Saving, Background, Demo Mode and Default Values.

To access the Settings Menu, press MENU. To exit the Settings Menu, press ESC.

### Rinsing

Use this function to rinse the coffee spouts and preheat the brewing unit. Place a container with a minimum capacity of 1/2 cup (100 mL) under the coffee and hot water spouts.

1. Press to enter the menu.
2. Press or until the display shows RINSING.
3. Press to start rinsing.
4. After a few seconds, hot water will come out of the coffee spout and RINSING HOT WATER RUNNING will be displayed.
5. To stop the rinsing cycle, press STOP or wait for rinsing to stop automatically.

**IMPORTANT:** Do not leave the coffee system unattended while hot water is being delivered.

#### NOTES:

- If the coffee system is not used for more than 3-4 days, we strongly recommend doing 2-3 rinse cycles before use.
- After rinsing, it is normal for some water to remain in the grounds container.

### Beep

This function will enable or disable tones that sound when an icon is pressed or an accessory is inserted/removed.

1. Press to enter the menu.
2. Press or until the display shows BEEP.
3. Press to enable ON or disable OFF the sound notification. Press ESC to return to the home page.

### Statistics

This function displays statistical data relating to the coffee system.

1. Press to enter the menu.
2. Press or until the display shows STATISTICS.
3. Press . It is possible to check all the available statistics by pressing or . Press ESC to return to the home page.

### Cup Warmer

Use to warm cups before making coffee.

1. Press to enter the menu.
2. Press or until the display shows CUP WARMER.
3. Press to active ON or deactivate OFF the cup warmer.
4. Press ESC to return to the home page.

## Water Hardness

**NOTE:** The water hardness level is factory set at level 4. The coffee system can be programmed according to the hardness of your fresh water so the coffee system can be descaled less.

1. Remove the "Total hardness test" indicator paper provided from the packaging.
2. Immerse the paper completely in a glass of fresh water for about a second.
3. Remove the paper and shake lightly. After a minute, 1, 2, 3, or 4 squares will form. Each square corresponds to one level.
4. Press  $\equiv$  to enter the menu. Press  $\leftarrow$  or  $\rightarrow$  until the display shows  $\Delta^+$  WATER HARDNESS.
5. To change the level selected, press the symbol itself until the required level is displayed (Level 1 = soft water, Level 4 = very hard water). Press  $\leftarrow$  ESC to return to the home page.

## Auto-Off

Auto-off can be set so the coffee system turns off after 15 or 30 minutes, as well as 1-3 hours of no use.

1. Press  $\equiv$  to enter the menu.
2. Press  $\leftarrow$  or  $\rightarrow$  until the display shows  $\text{⌚}$  AUTO-OFF together with the current selection (15 or 30 minutes, 1, 2 or 3 hours).
3. Press  $\text{⌚}$  to select the required value; then press  $\leftarrow$  ESC to return to the homepage.

## Coffee Temperature

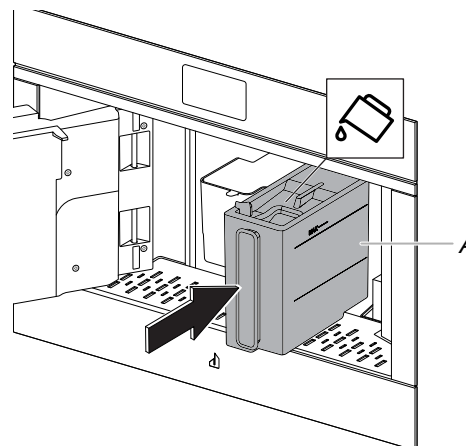
1. Press  $\equiv$  to enter the menu.
2. Press  $\leftarrow$  or  $\rightarrow$  until the display shows  $\text{☺}^+$  COFFEE TEMPERATURE together with the current selection (LOW, MEDIUM, HIGH, or MAX).
3. Press  $\text{☺}^+$  to select the required temperature.
4. Press  $\leftarrow$  ESC to return to the home page.

## Descaling

**IMPORTANT:** Before using, read the instructions and labels on the descaler packaging.

Descal the appliance when the display shows DESCALING NEEDED PRESS OK TO START (~45 min)  $\text{!}$ . To descale immediately, press  $\checkmark$  OK and follow the steps.

1. "REMOVE WATER FILTER" will show on the display (if present). Remove the water filter (if present) and empty the water tank. Press  $\rightarrow$  NEXT .
2. ADD DESCALER (UP TO LEVEL A) AND FRESH WATER (UP TO LEVEL B): Pour the descaler into the tank up to level A marked inside the water tank. This is equal to one 100 mL packet. Add 1 L (1 qt) fresh water up to level B and replace tank. Press  $\rightarrow$  NEXT .




A. Water tank

3. EMPTY GROUND CONTAINER AND DRIP TRAY: Remove, empty and replace drip tray and the grounds container.
4. PLACE 2.5 L (3 qt) CONTAINER UNDER OUTLET, PRESS OK TO START DESCALING: Place an empty 2.5 L (3 qt) or larger container under the hot water/steam spout and coffee spout.
5. Press  $\checkmark$  OK to confirm that descaling solution has been added. The display will show DESCALING PLEASE WAIT, which means the program has been started.
6. Descaler will come out of the hot water/steam and coffee spouts. A series of rinses and pauses is automatically carried out to remove all scale residue from the inside the coffee maker.
7. After approx. 25 minutes, descaling will stop; RINSE AND FILL WATER TANK UP TO MAX LEVEL will display. Empty the container used for descaler solution and place back under the spouts. Remove water tank, empty, rinse and refill to the MAX level and replace tank. Press  $\checkmark$  OK .


\*Water filter not available on this model.



8. Display will show RINSING PLEASE WAIT and hot water will empty from the spouts.
9. When the fresh water has run out, empty the container used to collect the fresh water from the spouts.
10. INSERT FILTER INTO ITS HOUSING will be displayed. Press **> NEXT** and remove the water tank. Reinsert the water filter if it had been removed previously.  
**NOTE:** Water filter not available on this model.
11. RINSE AND FILL WATER TANK UP TO MAX LEVEL will display. Fill tank up to MAX level with fresh water. Next, INSERT WATER TANK will be displayed. Place the water tank back into the coffee system.
12. PLACE 2.5 L (3 qt) CONTAINER UNDER OUTLET PRESS OK TO START RINSING: Place the empty container used to collect the descaling solution under the spouts and press **✓ OK** . Hot water is dispensed and RINSING PLEASE WAIT is displayed.
13. EMPTY DRIP TRAY: At the end of the rinsing cycle, remove, empty and replace the drip tray, along with the grounds container. Replace and press **> NEXT** .
14. For a few seconds, DESCALE COMPLETE PRESS OK will be displayed, then the coffee system will turn off. The descaling process is complete.

**NOTE:** If you would like to postpone the descaling process until a later time, press **↵ ESC** . On the display the  symbol will remain as a reminder.



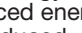
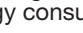
#### To access the descaling menu when ready:

1. Press **≡** to enter the menu.
2. Press **< or >** until the display shows  DESCALE. Press **▶** to start the descaling cycle. Follow the instructions on the display until cycle is complete.

#### Auto-Start



The auto-start time can be set to have the coffee maker ready at a certain time.

**NOTE:** To enable this function, the time must be set correctly. To set the time, see "Setting the Clock."


1. Press **≡** to enter the menu.
2. Press **< or >** until the display shows  AUTO-START . Select the function by pressing  . The time setting panel will be displayed.
3. Press **< or >** corresponding to the hours and minutes until the required auto-start time is displayed. Press **OFF**  or **ON**  to enable or disable auto-start.
4. To confirm, press **✓ OK** . To cancel and return to the home page, press **↵ ESC** twice.  
The auto-start is now set and the symbol will be displayed next to the time to indicate that the function has been enabled.

**NOTE:** When the coffee system is turned off using the main switch, the auto-start setting will be lost if it had been enabled.

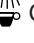
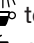
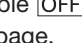
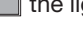
#### Set Language

1. Press **≡** to enter the menu.
2. Press **< or >** until the display shows  SET LANGUAGE.
3. Press  . Press **< or >** until the flag corresponding to the required language is shown and select it. Press **↵ ESC** twice to return to the home page.

#### Set Time


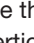

1. Press **≡** to enter the menu.
2. Press **< or >** until the display shows  SET TIME.
3. Press **☑** . The time setting panel will appear.
4. Press **< or >** corresponding to the hours and minutes until the current time is displayed. To confirm, press **✓ OK** . To cancel, press **↵ ESC** , then press again to return to the home page.

#### Cup Lighting

1. Press **≡** to enter the menu.
2. Press **< or >** until the display shows  CUP LIGHTING.
3. Press  to enable **ON**  or disable **OFF**  the lights. Press **↵ ESC** to return to the home page.

#### Drink Settings

In this section, you can consult your customized settings and reset the default values for each beverage.

1. Press **≡** to enter the menu. Press **< or >** until  DRINK SETTINGS appears on the display.
2. The reference user profile is highlighted on the display. The values are shown on the vertical bars. The manufacturer default value is indicated by the symbol  while the current set value is highlighted by the filled part of the vertical bar.
3. To go back to the settings menu, press **↵ ESC** . To scroll and display the beverages, press **> NEXT** . To return to the default manufacturer values for the beverage shown on the display, press  RESET. CONFIRM RESET will be displayed. To confirm, press **✓ OK** . To cancel, press **↵ ESC** .
4. RETURN TO FACTORY will display. Press **✓ OK** .


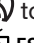
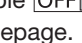
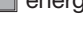
The beverage has been reset to the default values. Continue with the other beverage, or go back to the settings menu.

**NOTE:** To change the beverages for another profile, go back to the homepage, select the required profile and repeat the procedure.

To reset all the beverages in the profile to the default values, see the "Default Values" section.




#### Energy Saving

Use this function to enable or disable energy saving mode. When enabled, the function guarantees reduced energy consumption. When it is disabled, warming time is reduced.

1. Press **≡** to enter the menu. Press **< or >** until  ENERGY SAVING appears on the display.
2. Press  to enable **ON**  or disable **OFF**  energy saving. Press **↵ ESC** to go back to the homepage.

#### Demo Mode

By using this setting, the main functions of the coffee system are shown on the display.

1. Press **≡** to enter the menu. Press **< or >** until the display shows  DEMO MODE. Press **▶** to start the demo.
2. To exit DEMO MODE, first turn the coffee system off by pressing the  . Press the  again to go back to the homepage.

## Default Values

This resets all menu settings and programmed quantities back to the default values (with the exception of the language which remains as set).

1. Press to enter the menu. Press or until the display shows DEFAULT VALUES. Press .
2. Press RESET ALL to reset all profiles to the original parameters, otherwise select the required profile (e.g. User 1).
3. RETURN TO FACTORY SETTINGS? RESET ALL will display. Press OK to confirm or ESC to leave settings unaltered.
4. FACTORY SETTINGS SET. Press OK to confirm.

## Customizing Beverages

The strength and size of drinks can be customized.

1. The profile that is needed to be customized needs to be active. A maximum of six profiles are available on the unit. You can only select one profile to set at a time.
2. From the homepage, press . Choose the beverage you wish to customize in order to access the customizing screen, The relative accessories must be inserted.
3. (Beverages with coffee only) CHOOSE COFFEE STRENGTH LEVEL will display. Select the required strength by pressing or and press OK.
4. CUSTOMIZING COFFEE (OR FRESH WATER) SIZE, PRESS STOP TO SAVE will display. Preparation begins and the coffee system displays the size customizing screen in the form of a vertical bar. The star alongside the bar represents the current size set.
5. When the amount reaches the minimum size you can set, the display shows STOP. Press STOP when the required quantity in the cup is reached. SAVE NEW SETTINGS? will display. Press YES or NO.
6. The application confirms if the values have been saved or not (depending on the previous selection). Press OK. The coffee system goes back to the home page.

**NOTE:** Milk based drinks; the coffee strength is saved first, followed by the quantity of milk, then coffee.

## Memorizing Your Personal Profile

The coffee system allows you to memorize six different profiles, each associated with a different icon. In every profile the customized MY beverages STRENGTH and SIZE values are saved and the order in which all beverages are displayed is based on the frequency of selection.

To select or enter a profile, press on the profile currently in use, press or until the required profile is displayed, then press on the profile.

**NOTE:** Profile GUEST: Select this profile to deliver beverages with the default settings. The function is not active.

## Selecting Coffee Strength

Select the required strength from the homepage by pressing STRENGTH.

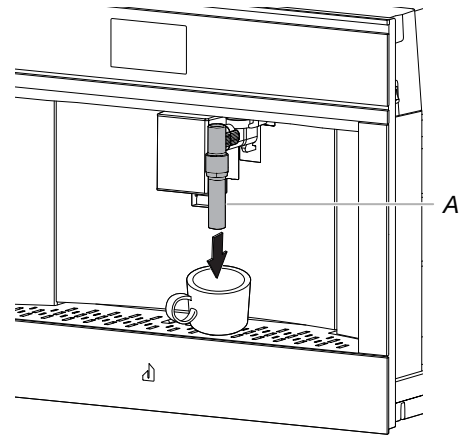
	(See "Making Coffee using Pre-Ground Coffee")
	EXTRA LIGHT STRENGTH
	LIGHT STRENGTH
	MEDIUM STRENGTH
	STRONG STRENGTH
	EXTRA STRONG STRENGTH
	CUSTOM STRENGTH (if programmed) / STANDARD STRENGTH

After delivering the beverage, the strength setting is reset to the value.

## Making Coffee or Espresso Using Coffee Beans

**IMPORTANT:** Do not use green, caramelized or candied coffee beans as they could stick to the coffee mill and make it unusable.

1. Fill the beans container with coffee beans. Place a cup under the coffee spout.
2. Lower the spout so that it is as near as possible to the cup. This helps achieve a better cream.



A. Coffee spout

3. Press or until the required coffee selection is displayed. Then select your required coffee from the home page: Espresso, Doppio+, Coffee, Long, X2 Espresso or Americano.
4. Preparation begins and the display shows the image of the selected beverage together with a progress bar which gradually fills as preparation proceeds.

**NOTE:** It is possible to prepare two cups of espresso coffee at the same time.

1. Press x2 ☕ during preparation of one espresso.
2. While the machine is making coffee, delivery can be interrupted at any time by pressing X STOP .
3. As soon as delivery has ended, to increase the quantity of coffee in the cup, press + EXTRA . Once the desired quantity is reached, press X STOP .
4. Once the coffee has been made, the appliance is ready to make the next beverage.

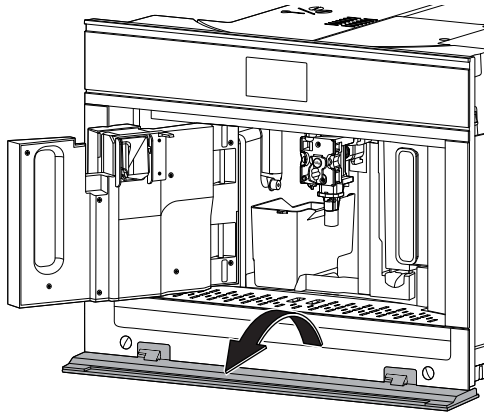
**NOTE:** Various messages may be displayed while using the appliance (FILL TANK, EMPTY GROUNDS CONTAINER, etc.). Their meanings are explained in section "Displayed messages."

- For hotter coffee, see "Tips for Hotter Coffee" section.
- If the coffee comes out in drops, too weak and not creamy enough or too cold, see the "Adjusting the Coffee Mill" and "Troubleshooting" sections.
- If "Energy Saving" mode is active, the first coffee may take a few seconds before it is delivered.

**To Clean:**

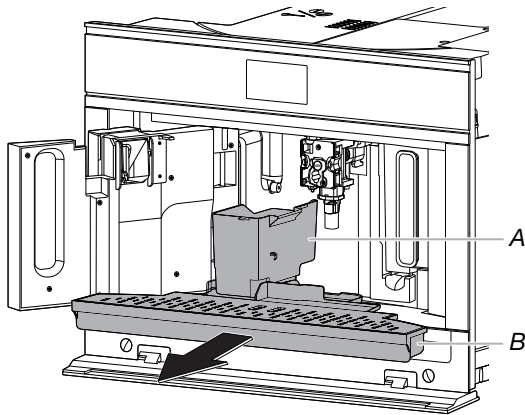
After every 14 cups of coffee made, the drip tray needs to be cleaned and the coffee grounds container emptied.

1. Open the service door on the front by pulling the coffee spout.



2. Remove the drip tray and clean it.

**NOTE:** When cleaning the coffee system, always fully remove the drip tray.



A. Coffee grounds container  
B. Drip tray

3. Empty the coffee grounds container and replace it.  
**NOTE:** Every time the drip tray is removed, the coffee grounds container must be emptied. Failure to do so may clog the coffee system.
4. Replace the drip tray and close the service door.

## Selecting the Coffee Size

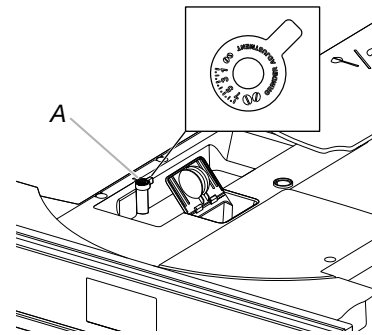
From the home page, select the required size of coffee in the cup by pressing ☕➤☕ SIZE.

	SMALL SIZE
	MEDIUM SIZE
	LARGE SIZE
	EXTRA LARGE SIZE
	CUSTOM SIZE (if programmed) / STANDARD SIZE

After delivering the beverage, the size setting is reset to the MY value.

## Adjusting the Coffee Mill

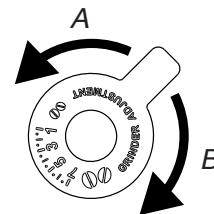
The coffee mill is factory-set and should not require adjustment. However, if after making the first few coffees you find that the coffee is either too weak and not creamy enough, or delivery is too slow (a drop at a time), this can be corrected by adjusting the grinding adjustment dial.



A. Grinding coarseness adjustment knob

**NOTE:** The grinding adjustment dial must only be turned when the coffee mill is in operation during the initial phase of coffee preparation.

1. If the coffee comes out too slowly or does not come out at all, a message will be shown GROUND TOO FINE. ADJUST GRIND LEVEL, turn the coffee mill dial one or two clicks clockwise.
2. For fuller bodied creamier coffee, turn one click counter-clockwise towards one. (Do not turn more than one click at a time. Otherwise the coffee could come out one drop at a time.)



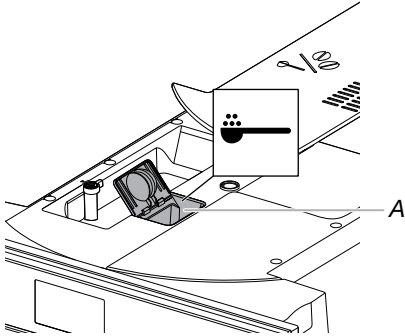
A. Counterclockwise for finer grind  
B. Clockwise for coarser grind

The effect of these adjustments will only be evident after at least two cups of coffee have been delivered. If this adjustment does not obtain the desired result, repeat the correction by turning the dial another click.

## Making Coffee using Pre-Ground Coffee

### IMPORTANT:

- Never add pre-ground coffee when the coffee maker is off in order to avoid it spreading through the inside of the coffee maker and making it dirty. This could damage the appliance.
  - Never use more than one level measure or it could dirty the inside of the coffee maker or block the funnel.
1. Press **☺☺** STRENGTH until the display shows **☺☺** (pre-ground).
  2. Open the cover and the pre-ground door.
  3. Make sure the funnel is not blocked, then add one level measure of pre-ground coffee.



A. Center funnel

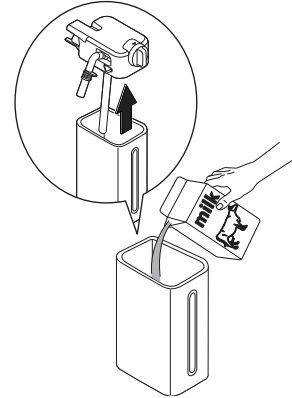
4. Place a cup under the coffee spouts, then select your required coffee from the home page.
5. Preparation begins and the image of the selected beverage appears on the display, together with a progress bar which gradually fills as preparation progresses.

### NOTES:

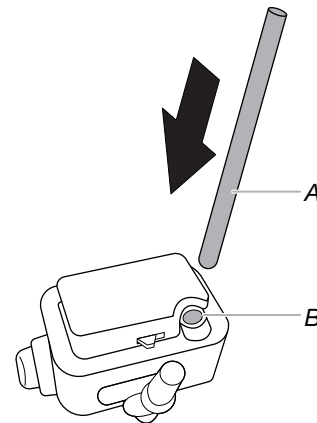
- If you use pre-ground coffee, you can only make one cup of coffee at a time.
- While the coffee maker is making coffee, delivery can be interrupted at any time by pressing **✕ STOP**.
- As soon as delivery has ended, to increase the quantity of coffee in the cup, press **+ EXTRA**. Once the desired quantity is reached, press **✕ STOP**.
- Once the coffee has been made, the appliance is ready to make the next beverage.

## Making Milk-Based Hot Drinks

1. Remove the lid of the milk container.

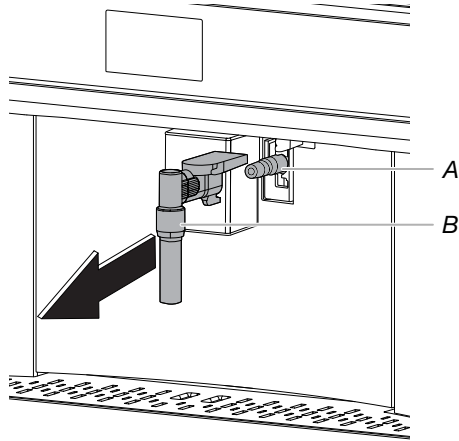


2. Fill the container with approximately 1/2 cup (100 mL) of milk for each cappuccino you want to make. Do not fill above the MAX line on the milk container. For a denser or more even froth, use cold skim or partially skim milk.
3. Make sure the milk intake tube is correctly inserted in the bottom of the milk container lid and place the lid back onto the container.



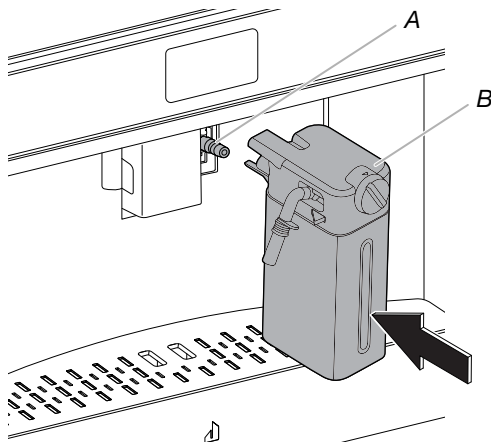
A. Milk intake tube  
B. Rubber washer

- Remove the hot water/steam spout.



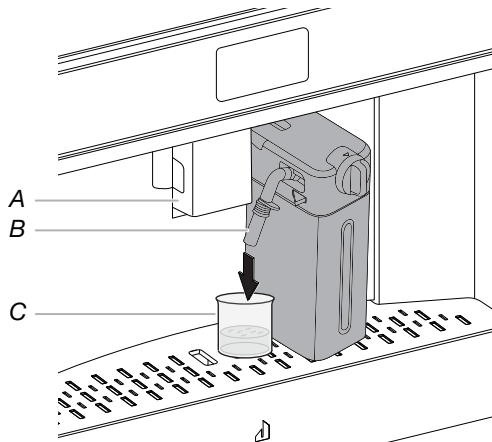
A. Hot water and steam nozzle  
B. Hot water spout

- Attach the milk container to the nozzle by pushing the bottom of the container. A tone will sound if the sound notification is enabled.



A. Hot water and steam nozzle  
B. Milk container




- Place a large cup under the coffee spouts and frothed milk spout. To move the spout nearer to the cup, simply pull it downward.



A. Coffee spouts  
B. Milk spout  
C. Cup

## Adjusting the Amount of Froth

Turn the froth adjustment dial on the milk container to adjust the amount of froth on the milk delivered while making the drinks. See table below.

DIAL POSITION	DESCRIPTION	RECOMMENDED FOR...
	No froth	CAFFE LATTE / MILK (hot milk)
	Min. froth	LATTE MACCHIATO
	Max. froth	CAPPUCCINO / MILK (frothed milk)

## Making Milk-Based Drinks Automatically

- Fill the milk container and attach it as described above.
- Select the required beverage from the home page: Cappuccino, Latte Macchiato, Caffe Latte, Hot Milk, Cappuccino+, Espresso Macchiato, Flat White or Cappuccino Mix.
- On the display the coffee maker recommends turning the foam adjustment dial based on the foam requirements for the original recipe. Turn the dial on top of the milk container lid and confirm the selection by pressing **✓ OK**.
- After a few seconds, preparation begins automatically and an image of the selected beverage appears on the display, together with a progress bar which gradually fills as preparation progresses.
- Once the coffee has been made, the coffee maker is ready to make the next beverage.

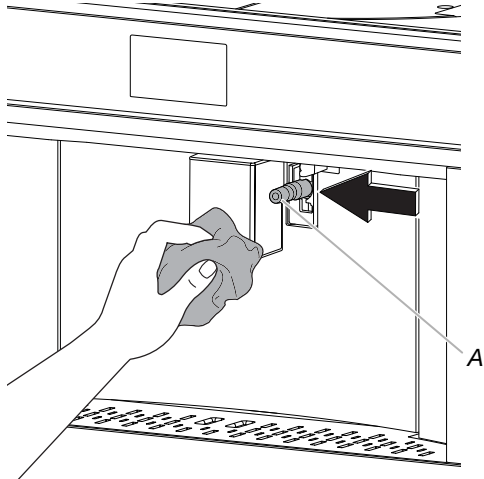
### NOTES:

- If "Energy Saving" mode is enabled, there may be a few seconds delay before the beverage is delivered.
- Press **ESC** to interrupt preparation completely and go back to the home page.
- Press **STOP** to interrupt milk or coffee delivery and move on to the next delivery (if applicable) to complete the beverage.
- At the end of delivery, to increase the quantity of coffee in the cup, press **EXTRA**.
- Preparation of each milk based drink can be customized. See "Customizing Beverages" and Memorizing Your Personal Profile" sections.
- Do not leave the milk container out of the refrigerator for more than 15 minutes. The quality of the foam will decrease the longer the container is out.

### To Clean Hot Water/Steam Spout:

Always clean the hot water/steam spout after use to avoid the build-up of milk residues and prevent it from clogging.


1. Place a container under the hot water/steam spout and let a little fresh water out. See "Delivering Hot Water" section. Stop delivery by pressing **X STOP**.
2. Wait a few minutes for the hot water/steam spout to cool down. When cool, remove the spout. Hold the spout steady with one hand and with the other, turn and detach the cappuccino maker, pulling it downwards.



A. Hot water/steam spout

3. Also remove the steam connection nozzle by pulling it downward. Check that the hole in the connection nozzle is not blocked. If necessary, clean using a toothpick.
4. Wash all parts of the spout thoroughly with a sponge and warm water. Attach the connection nozzle and the cappuccino maker onto the spout by pushing it upwards and turning it clockwise until it is secure.


## Delivering Hot Water

1. Make sure the hot water/steam spout is attached correctly to the hot water/steam connection nozzle.
2. Place a container under the spout as close as possible to avoid splashes.
3. Select  HOT WATER from the home page. The corresponding image appears on the display, together with a progress bar which fills gradually as preparation proceeds.
4. The machine delivers hot water, then the delivery stops automatically. To interrupt hot water delivery manually, press **X STOP**.

### NOTES:

- If "Energy Saving" mode is active, there may be a few seconds delay before hot water is delivered.
- Preparation of hot water can be customized. See "Customizing Beverages" and "Memorizing Your Personal Profile" sections.

## Steam Delivery

1. Make sure the hot water/steam spout is attached correctly to the hot water/steam connection nozzle. Fill a container with the liquid to be heated or frothed and immerse the hot water/steam spout in the liquid.
2. Select  STEAM from the homepage. The corresponding image appears on the display, together with a progress bar which fills gradually as preparation proceeds and after a few seconds, steam to heat the liquid is delivered from the hot water/steam spout.
3. When the required temperature or level of froth is reached, interrupt steam delivery by pressing **X STOP**.

### Tips for using steam to froth milk:

- When choosing the size of the container, bear in mind that the liquid doubles or triples in volume.
- For a richer, denser froth, use skimmed or partially skimmed milk at refrigerator temperature.
- For a creamier froth, rotate the container with a slow movements in a upward motion.
- To avoid milk with poor froth or large bubbles, always clean the spout.

# COFFEE SYSTEM CARE

## General Cleaning

To avoid damage to the coffee system, do not use solvents or abrasive detergents to clean the coffee system. Use a soft damp cloth to clean the exterior of the coffee system. Clean all machine parts regularly.

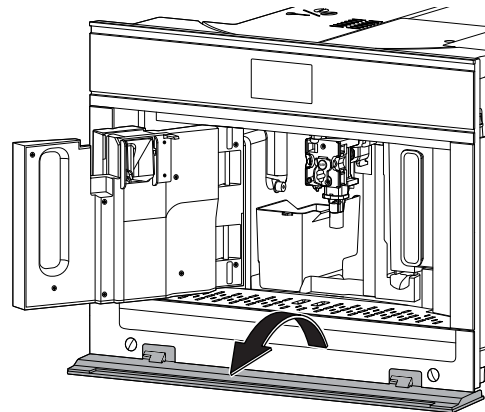
**IMPORTANT:** Before any cleaning, turn the coffee system off using the main On/Off switch and unplug it.

**IMPORTANT:** Do not immerse the coffee system in water.

### Cleaning the Coffee Grounds Container and Drip Tray

When the display shows the message EMPTY GROUNDS CONTAINER, the grounds container must be emptied and cleaned. The appliance cannot be used to make coffee until the container is has been cleaned. Even if it is not full, the empty grounds container message is displayed 72 hours after the first coffee has been prepared. For the 72 hours to be calculated correctly, the machine must never be turned off with the main switch.

1. Open the bottom door by rotating it downwards and open.

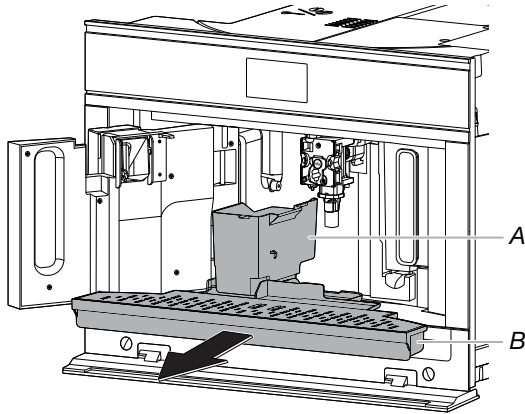


- Remove drip tray, empty and clean it.
- Empty and clean the coffee grounds container making sure to remove all the residue that can be deposited on the bottom. The brush provided features a spatula especially for this job.

**IMPORTANT:** Every time the drip tray is removed, the coffee grounds container must be emptied. If this is not done, the grounds container may fill up more than expected and clog the coffee system.

The drip tray has a gray float as a water level indicator. Empty and clean the drip tray before the red float protrudes from the cup tray. If the drip tray is not emptied, the water can overflow and damage the coffee system.

- Open the door and remove the drip tray and coffee grounds container.



A. Coffee grounds container  
B. Drip tray

- Empty the drip tray and grounds container and wash them.
- Replace the drip tray complete with grounds container.

### Cleaning the Water Tank

Clean the water tank regularly with a damp cloth and a small amount of mild detergent. Rinse thoroughly before filling the tank and putting it back in the appliance.

### Cleaning the Coffee Spouts

Clean the coffee spouts regularly with a sponge or cloth. Check that the holes in the coffee spouts are not blocked. If necessary, remove coffee deposits with a toothpick.

### Cleaning the Pre-Ground Coffee Funnel

Check regularly that the pre-ground coffee funnel is not blocked. Remove coffee deposits with the brush supplied, if needed.

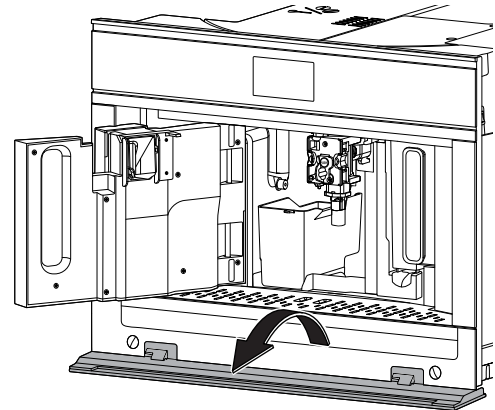
### Cleaning the Inside

Check the inside of the coffee system approximately once a week for dirt and debris. If necessary, remove coffee deposits with the supplied brush and a damp sponge or cloth.

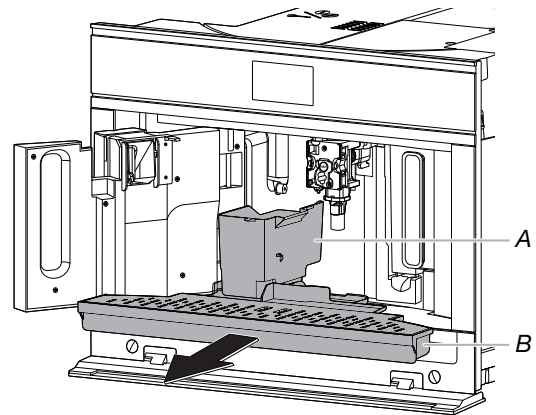
## Cleaning the Infuser

**IMPORTANT:** The infuser must not be removed when the appliance is on. Do not use force to remove the infuser.

- Make sure the machine is correctly turned off.
- Open the service door.

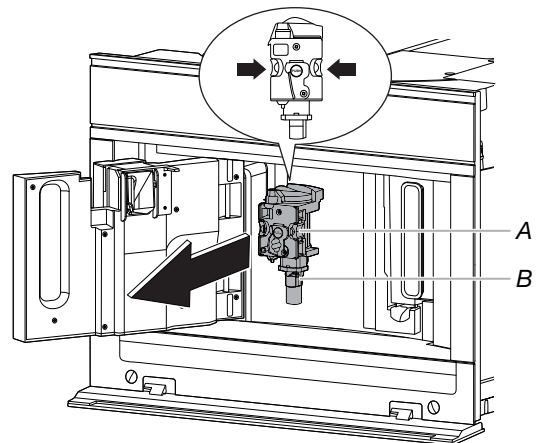


- Remove the drip tray and grounds coffee container.



A. Coffee grounds container  
B. Drip tray

- Press the two colored release buttons inwards and at the same time pull the infuser outwards.

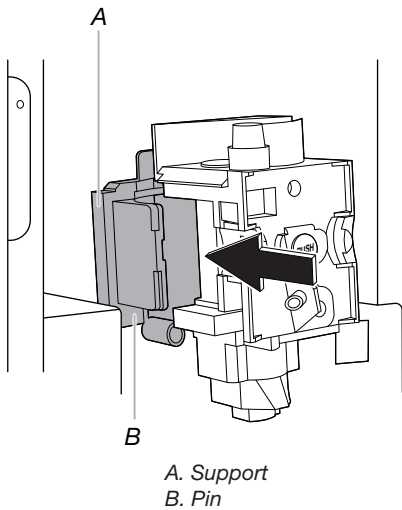


A. Release buttons  
B. Infuser unit

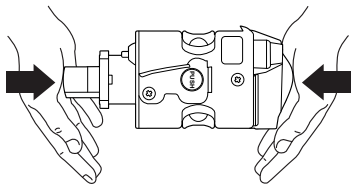
- Soak the infuser in fresh water for about five minutes, then rinse.

**IMPORTANT:** Do not use detergent to clean the infuser to avoid removing the lubricant applied to the inside of the piston.

- After cleaning, replace the infuser by sliding it onto the internal support and pin at the bottom, then push the PUSH symbol fully until it clicks into place.



**NOTE:** If you are having difficulty replacing the infuser, compress the moving parts from both the top and bottom as shown in the following illustration before reinserting it.

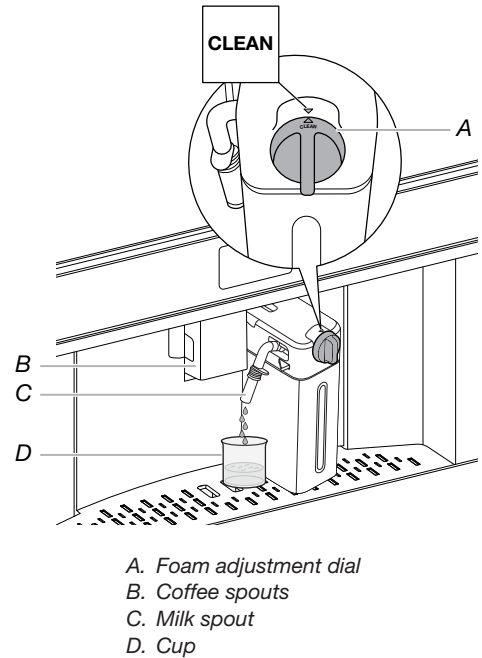


- Once inserted, make sure the two colored release buttons have snapped out.
- Replace the drip tray and grounds coffee container. Close the service door.

## Cleaning the Milk Container

Each time a milk function is used, TURN MILK FROTH ADJUSTMENT KNOB TO CLEAN TO START CLEANING appears on the display and the milk frother lid must be cleaned.

- Leave the milk container in the coffee maker. You do not need to empty it.
- Place a cup or other recipient under the frothed milk spout.



- Turn the foam adjustment dial to CLEAN. CLEANING MILK CONTAINER PLACE A CUP UNDER THE MILK OUTLET appears on the display together with a bar which gradually fills as cleaning proceeds. Cleaning will stop automatically.
- Turn the dial back to a froth selection. Remove the milk container and always clean the steam connection nozzle with a sponge.

### NOTES:

- If a number of milk based drinks needs to be made, only clean the milk container after preparing the last beverage. To proceed with making the next beverages when the CLEAN message is displayed, press **ESC**.
- If the milk container does not get cleaned, the (clean milk container icon) appears on the display as a reminder that the milk container needs cleaning.
- In some cases, to carry out the cleaning the appliance requires a short time to heat up.



# TROUBLESHOOTING

First try the solutions suggested here. If you need further assistance or more recommendations that may help you avoid a service call, refer to the warranty, or visit <https://producthelp.jennair.com>. In Canada, visit [www.jennair.ca](http://www.jennair.ca).

Contact us by mail with any questions or concerns at the address below:

In the U.S.A.:

JennAir Brand Home Appliances  
Customer eXperience Center  
553 Benson Road  
Benton Harbor, MI 49022-2692

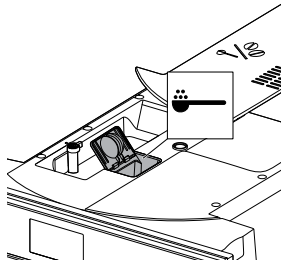


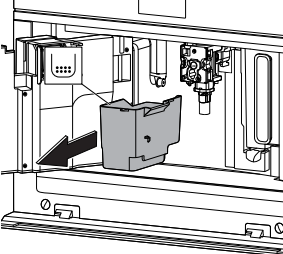





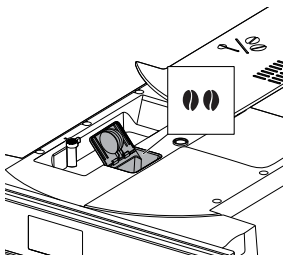
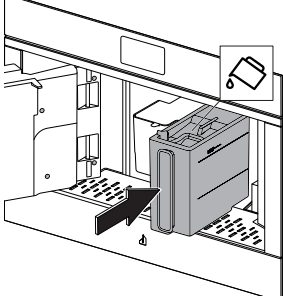
In Canada:





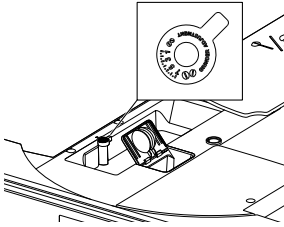
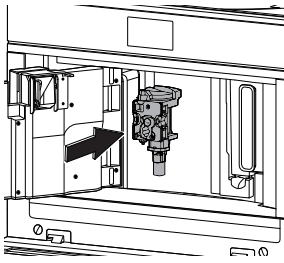
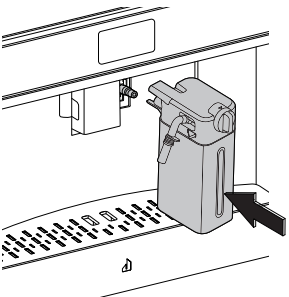
JennAir Brand Home Appliances  
Customer eXperience Centre  
200 – 6750 Century Ave.  
Mississauga, Ontario L5N 0B7

Please include a daytime phone number in your correspondence.

PROBLEM	POSSIBLE CAUSE	REMEDY
<b>The coffee is not hot</b>	The cups have not been preheated.	Heat the cups by rinsing them with hot water.
	The infuser has cooled down because 2-3 minutes have elapsed since the last coffee was made.	Before making coffee, heat the infuser by selecting the Rinse function from the menu.
	A low coffee temperature is set.	Change the set temperature. See "Coffee Temperature" in the "Settings" section.
<b>The coffee is weak or not creamy enough</b>	The coffee is ground too coarsely.	Turn the grinding adjustment dial one click counterclockwise towards number one while the coffee mill is in operation. Continue one click at a time until coffee delivery is satisfactory. The effect can only be noticed after delivering two coffees.
	The blend of coffee is unsuitable.	Use a blend of coffee specifically for espresso coffee machines.
<b>The coffee is delivered too slowly or at a drop at a time</b>	The coffee is ground too finely.	Turn the grinding adjustment dial one click clockwise towards number seven while the coffee mill is in operation. Continue one click at a time until coffee delivery is satisfactory. The effect can only be noticed after delivering two coffees.
<b>The appliance does not come on</b>	The main switch is not turned on.	Press the main switch to ON.
<b>The milk does not come out of the milk spout</b>	The lid of the milk container is dirty.	Clean the milk container lid as described in the "Cleaning the Milk Container" section.
<b>The infuser cannot be extracted</b>	The appliance has not been turned off correctly.	Turn the appliance off by pressing the (⏻) button.
<b>The milk contains large bubbles or spurts out of the milk spout or there is little froth</b>	The milk is not cold enough or is not semi-skimmed or skimmed.	Use fully skimmed or semi-skimmed milk at refrigerator temperature 5°C (41°F). If results are still not satisfactory, try changing brand of milk.
	The froth adjustment dial is incorrectly adjusted.	Adjust following the instructions in the "Adjusting the Amount of Froth" section.
	The milk container lid or froth adjustment dial is dirty.	Clean the milk container lid and froth adjustment dial as described in the "Cleaning the Milk Container" section.
	The hot water/steam connection nozzle is dirty.	Clean the connection nozzle as described in the "Cleaning the Hot Water/Steam Connection Nozzle" section.
<b>At the end of descaling, the appliance requests a third rinse</b>	During the two rinse cycles, the water tank was not filled to MAX level.	Follow the instructions displayed by the appliance, first emptying the drip tray to avoid the water overflowing.
<b>The machine emits noises or small puffs of steam while not in use</b>	The machine is ready for use, or has recently been turned off, and condensate is dripping into the vaporizer which is still hot.	This is part of normal operation. To limit this, empty the drip tray.

## Displayed Messages

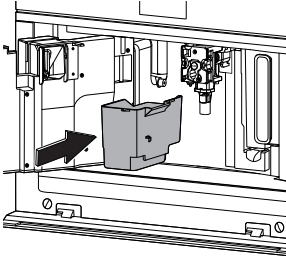
DISPLAYED MESSAGE	POSSIBLE CAUSE	REMEDY
<p><b>ADD PRE-GROUND COFFEE, PRE-GROUND MAXIMUM ONE MEASURING CUP</b></p>  <p> ESC</p>	<p>The "Pre-ground coffee" function has been selected, but without placing any pre-ground coffee in the funnel.</p> <hr/> <p>The funnel for pre-ground coffee is clogged.</p> <hr/> <p>A "Tall" coffee with pre-ground coffee has been requested.</p>	<p>Place pre-ground coffee in the funnel and repeat delivery.</p> <hr/> <p>Empty the funnel using the brush provided as described in the "Cleaning the Pre-Ground Coffee Funnel" section.</p> <hr/> <p>Place pre-ground coffee in the funnel and press  <b>OK</b> to continue and complete delivery.</p>
<p><b>EMPTY GROUND CONTAINER</b></p> 	<p>The grounds container is full.</p>	<p>Empty the grounds container and drip tray, clean and replace them.</p> <p><b>IMPORTANT:</b> When removing the drip tray, the grounds container must always be emptied, even if it contains a few grounds. If this is not done, when you make the next coffees, the grounds container may fill up more than expected and clog the machine.</p>
<p><b>DESCALING NEEDED, PRESS OK TO START (~45 MIN)</b></p>  <p> ESC </p>	<p>Indicates that descaling is needed.</p>	<p>Press  <b>OK</b> to start descaling or press  <b>ESC</b> to descale later. The descaling procedure described in the "Descaling" section needs to be performed.</p>
<p><b>FILL BEAN CONTAINER</b></p> 	<p>The coffee beans have run out.</p>	<p>Fill the beans container.</p>
<p><b>FILL WATER TANK WITH FRESH WATER</b></p> 	<p>The water tank is empty or incorrectly positioned.</p>	<p>Fill the tank with fresh water and or insert it correctly pushing it as far as it will go until it clicks into place.</p>

DISPLAYED MESSAGE	POSSIBLE CAUSE	REMEDY
<p><b>GENERAL ALARM: REFER TO USER MANUAL</b></p> 	<p>The inside of the coffee system is very dirty.</p>	<p>Clean the inside of the appliance thoroughly, as described in the "Cleaning" section. If the message is still displayed after cleaning, contact an authorized Customer Service Center.</p>
<p><b>SELECT A Milder TASTE OR REDUCE PRE-GROUND COFFEE QUANTITY</b></p>  <p> <b>ESC</b></p>	<p>Too much coffee has been used.</p>	<p>Select a milder taste by pressing  or reduce the quantity of pre-ground coffee (maximum one measure).</p>
<p><b>GROUND TOO FINE. ADJUST GRIND LEVEL 1 CLICK WHILE IN OPERATION</b></p> 	<p>The grinding is too fine and the coffee is delivered too slowly or not at all.</p> <p>If the water filter is present, an air bubble may have been released inside the circuit, obstructing delivery.</p>	<p>Repeat coffee delivery and turn the grinding adjustment dial one click clockwise towards number seven while the coffee mill is in operation. If after making at least two coffees delivery is still too slow, repeat the correction procedure, turning the grinding adjustment dial another click. If the problem persists, make sure the water tank is fully inserted.</p> <p>Insert the hot water/steam spout in the appliance and deliver a little fresh water until the flow becomes regular.</p>
<p><b>INSERT BREWING UNIT</b></p> 	<p>After cleaning, the infuser has not been replaced.</p>	<p>Insert the infuser as described in the "Cleaning the Infuser" section.</p>
<p><b>INSERT MILK CONTAINER</b></p> 	<p>The milk container is not inserted correctly.</p>	<p>Insert the milk container as far as it will go.</p>

**DISPLAYED MESSAGE****POSSIBLE CAUSE****REMEDY****INSERT GROUND CONTAINER AND DRIP TRAY**

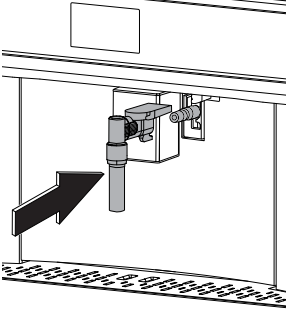
After cleaning, the grounds container has not been replaced.

Remove the drip tray and insert the grounds container.

**INSERT WATER OUTLET**

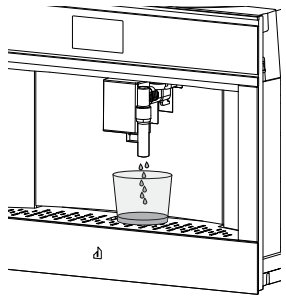
The hot water spout is not inserted or is inserted incorrectly.

Insert the water spout as far as it will go.

**WATER CIRCUIT EMPTY  
PRESS OK TO START  
FILLING PROCESS**

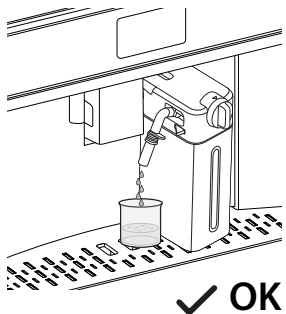
The water circuit is empty.

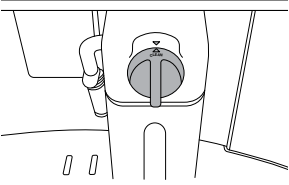

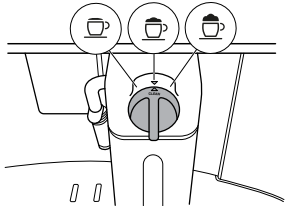





Press **✓ OK** and allow fresh water to drain out of the spout; the flow will stop itself automatically. If the problem persists, make sure the water tank is fully inserted.

**PRESS OK TO START  
CLEANING PROCESS OR  
TURN MILK FROTH  
ADJUSTMENT KNOB**

The milk container has been inserted with the froth adjustment dial in the CLEAN position.

To proceed with the CLEAN function, press **✓ OK** or turn the froth adjustment dial to one of the milk positions.



DISPLAYED MESSAGE	POSSIBLE CAUSE	REMEDY
<p><b>TURN THE MILK FROTH ADJUSTMENT KNOB TO START CLEANING</b></p>  <p> ESC</p>	<p>Milk has been delivered recently and the tube inside the milk container must be cleaned.</p>	<p>Turn the froth adjustment dial to CLEAN.</p>
<p><b>TURN THE MILK FROTH ADJUSTMENT KNOB TO MILK POSITION</b></p> 	<p>The milk container has been inserted with the froth adjustment dial in the CLEAN position.</p>	<p>Turn the dial to the required froth position.</p>
<p></p>	<p>Reminder that the appliance needs descaling and/or the filter must be replaced. <b>NOTE:</b> Water filter not available on this model.</p>	<p>The descaling procedure described in the "Descaling" section needs to be performed as soon as possible.</p>
<p></p>	<p>Reminder that the tubes inside the milk container must be cleaned.</p>	<p>Turn the froth adjustment dial to CLEAN.</p>
<p></p>	<p>Reminder that the machine must be descaled.</p>	<p>The descaling procedure as described in the "Descaling" section needs to be carried out as soon as possible.</p>
<p></p>	<p>Indicated that the auto-start function is enabled.</p>	<p>To disable the function, proceed as described in the "Auto-Start" section.</p>
<p></p>	<p>Energy saving is enabled.</p>	<p>To disable energy saving proceed as described in the "Energy Saving" section.</p>

---

# ASSISTANCE OR SERVICE

---

## If you need service

Please refer to the warranty page in this manual.

## If you need replacement parts

If you need to order replacement parts, we recommend that you use only factory specified parts. These factory specified parts will fit right and work right because they are made with the same precision used to build every new JennAir® appliance.

To locate factory specified parts in your area, call us or your nearest JennAir designated service center.

---

## In the U.S.A.

Call the Customer eXperience Center toll-free: **1-800-JENNAIR (1-800-536-6247)**.

### Our consultants provide assistance with:

- Features and specifications on our full line of appliances.
- Installation information.
- Use and maintenance procedures.
- Repair parts sales.
- Specialized customer assistance (Spanish speaking, hearing impaired, limited vision, etc.).
- Referrals to local dealers, repair parts distributors and service companies. JennAir designated service technicians are trained to fulfill the product warranty and provide after-warranty service anywhere in the United States.

To locate the JennAir designated service company in your area, you can also look in your telephone directory Yellow Pages.

### For further assistance

If you need further assistance, you can write with any questions or concerns at:

JennAir Brand Home Appliances  
Customer eXperience Center  
553 Benson Road  
Benton Harbor, MI 49022-2692

Please include a daytime phone number in your correspondence.

---

## In Canada

Call the JennAir Canada LP Customer eXperience Centre toll-free: **1-800-JENNAIR (1-800-536-6247)**.

### Our consultants provide assistance with:

- Use and maintenance procedures.
- Repair parts sales.
- Referrals to local dealers, repair parts distributors and service companies. JennAir designated service technicians are trained to fulfill the product warranty and provide after-warranty service anywhere in Canada.

### For further assistance

If you need further assistance, you can write with any questions or concerns at:

JennAir Brand Home Appliances  
Customer eXperience Centre  
200 - 6750 Century Ave.  
Mississauga, ON L5N 0B7

Please include a daytime phone number in your correspondence.

# JENNAIR® COOKING LIMITED WARRANTY

ATTACH YOUR RECEIPT HERE. PROOF OF PURCHASE IS REQUIRED TO OBTAIN WARRANTY SERVICE.

Please have the following information available when you call the Customer eXperience Center:

- Name, address and telephone number
- Model number and serial number
- A clear, detailed description of the problem
- Proof of purchase including dealer or retailer name and address

## IF YOU NEED SERVICE:

1. Before contacting us to arrange service, please determine whether your product requires repair. Some questions can be addressed without service. Please take a few minutes to review the Troubleshooting or Problem Solver section of the Use and Care Guide, or visit <https://jennair.custhelp.com>.
2. All warranty service is provided exclusively by our authorized JennAir Service Providers. In the U.S. and Canada, direct all requests for warranty service to:

**JennAir Customer eXperience Center**  
**1-800-JENNAIR (1-800-536-6247).**

If outside the 50 United States or Canada, contact your authorized JennAir dealer to determine whether another warranty applies.

## FIVE YEAR LIMITED WARRANTY

### WHAT IS COVERED

#### TWO YEAR LIMITED WARRANTY (PARTS & LABOR)

For two years from the date of purchase, when this major appliance is installed, operated and maintained according to instructions attached to or furnished with the product, JennAir brand of Whirlpool Corporation or Whirlpool Canada, LP (hereafter "JennAir") will pay for factory specified replacement parts and repair labor to correct defects in materials or workmanship that existed when this major appliance was purchased or, at its sole discretion replace the product. In the event of product replacement, your appliance will be warranted for the remaining term of the original unit's warranty period.

#### THIRD THROUGH FIFTH YEAR LIMITED WARRANTY (CERTAIN COMPONENT PARTS ONLY - LABOR NOT INCLUDED)

In the third through fifth years from the date of original purchase, when this major appliance is installed, operated and maintained according to instructions attached to or furnished with the product, JennAir will pay for factory specified parts for the following components to correct non-cosmetic defects in materials or workmanship in these parts that prevent function of this major appliance and that existed when this major appliance was purchased. This is a limited 5-year warranty on the below named parts only and does not include repair labor.

- Electric element
- Touch Pad and microprocessor
- Glass ceramic cooktop: if due to thermal breakage
- Electronic controls
- Magnetron tube
- Sealed gas burners

YOUR SOLE AND EXCLUSIVE REMEDY UNDER THIS LIMITED WARRANTY SHALL BE PRODUCT REPAIR AS PROVIDED HEREIN. Service must be provided by a JennAir designated service company. This limited warranty is valid only in the United States or Canada and applies only when the major appliance is used in the country in which it was purchased. This limited warranty is effective from the date of original consumer purchase. Proof of original purchase date is required to obtain service under this limited warranty.

### WHAT IS NOT COVERED

1. Commercial, non-residential, multiple-family use, or use inconsistent with published user, operator or installation instructions.
2. In-home instruction on how to use your product.
3. Service to correct improper product maintenance or installation, installation not in accordance with electrical or plumbing codes or correction of household electrical or plumbing (i.e. house wiring, fuses or water inlet hoses).
4. Consumable parts (i.e. light bulbs, batteries, air or water filters, preservation solutions, etc.).
5. Defects or damage caused by the use of non-genuine JennAir parts or accessories.
6. Conversion of products from natural gas or propane gas.
7. Damage from accident, misuse, abuse, fire, floods, acts of God or use with products not approved by JennAir.
8. Repairs to parts or systems to correct product damage or defects caused by unauthorized service, alteration or modification of the appliance.
9. Cosmetic damage including scratches, dents, chips, and other damage to the appliance finishes unless such damage results from defects in materials and workmanship and is reported to JennAir within 30 days.
10. Discoloration, rust or oxidation of surfaces resulting from caustic or corrosive environments including but not limited to high salt concentrations, high moisture or humidity or exposure to chemicals.
11. Food or medicine loss due to product failure.
12. Pick-up or delivery. This product is intended for in-home repair.
13. Travel or transportation expenses for service in remote locations where an authorized JennAir servicer is not available.
14. Removal or reinstallation of inaccessible appliances or built-in fixtures (i.e. trim, decorative panels, flooring, cabinetry, islands, countertops, drywall, etc.) that interfere with servicing, removal or replacement of the product.
15. Service or parts for appliances with original model/serial numbers removed, altered or not easily determined.

**The cost of repair or replacement under these excluded circumstances shall be borne by the customer.**

### DISCLAIMER OF IMPLIED WARRANTIES

IMPLIED WARRANTIES, INCLUDING ANY IMPLIED WARRANTY OF MERCHANTABILITY OR IMPLIED WARRANTY OF FITNESS FOR A PARTICULAR PURPOSE, ARE LIMITED TO ONE YEAR OR THE SHORTEST PERIOD ALLOWED BY LAW. Some states and provinces do not allow limitations on the duration of implied warranties of merchantability or fitness, so this limitation may not apply to you. This warranty gives you specific legal rights, and you also may have other rights that vary from state to state or province to province.

### DISCLAIMER OF REPRESENTATIONS OUTSIDE OF WARRANTY

JennAir makes no representations about the quality, durability, or need for service or repair of this major appliance other than the representations contained in this warranty. If you want a longer or more comprehensive warranty than the limited warranty that comes with this major appliance, you should ask JennAir or your retailer about buying an extended warranty.

### LIMITATION OF REMEDIES; EXCLUSION OF INCIDENTAL AND CONSEQUENTIAL DAMAGES

YOUR SOLE AND EXCLUSIVE REMEDY UNDER THIS LIMITED WARRANTY SHALL BE PRODUCT REPAIR AS PROVIDED HEREIN. JENNAIR SHALL NOT BE LIABLE FOR INCIDENTAL OR CONSEQUENTIAL DAMAGES. Some states and provinces do not allow the exclusion or limitation of incidental or consequential damages, so these limitations and exclusions may not apply to you. This warranty gives you specific legal rights, and you also may have other rights that vary from state to state or province to province.

# SÉCURITÉ DE LA MACHINE À ESPRESSO

## Votre sécurité et celle des autres est très importante.

Nous donnons de nombreux messages de sécurité importants dans ce manuel et sur votre appareil ménager. Assurez-vous de toujours lire tous les messages de sécurité et de vous y conformer.



Voici le symbole d'alerte de sécurité.

Ce symbole d'alerte de sécurité vous signale les dangers potentiels de décès et de blessures graves à vous et à d'autres.

Tous les messages de sécurité suivront le symbole d'alerte de sécurité et le mot "DANGER" ou "AVERTISSEMENT". Ces mots signifient :

**⚠ DANGER**

**Risque possible de décès ou de blessure grave si vous ne suivez pas immédiatement les instructions.**

**⚠ AVERTISSEMENT**

**Risque possible de décès ou de blessure grave si vous ne suivez pas les instructions.**

Tous les messages de sécurité vous diront quel est le danger potentiel et vous disent comment réduire le risque de blessure et ce qui peut se produire en cas de non-respect des instructions.

## IMPORTANTES INSTRUCTIONS DE SÉCURITÉ

**AVERTISSEMENT :** Pour réduire le risque d'incendie, de choc électrique, de blessures ou de dommages lors de l'utilisation de cet appareil ménager, il convient d'observer certaines précautions élémentaires dont les suivantes :

- Lire toutes les instructions avant d'utiliser l'appareil.
- Ne pas toucher les surfaces chaudes. Utiliser les poignées ou les boutons.
- Pour éviter tout incendie, choc électrique ou blessure corporelle, ne pas immerger le cordon d'alimentation, les prises ou l'appareil dans l'eau ou un autre liquide.
- L'appareil n'est pas conçu pour une utilisation sans surveillance par de jeunes enfants ou des personnes handicapées.
- Débrancher la prise lorsque l'appareil n'est pas utilisé et avant le nettoyage. Laisser l'appareil refroidir avant de monter ou démonter des pièces et avant de le nettoyer.
- Ne pas faire fonctionner un appareil dont le cordon ou la prise est endommagé, lorsqu'il ne fonctionne pas correctement ou lorsqu'il a été endommagé d'une quelconque façon. Renvoyer l'appareil au centre de service agréé le plus proche pour examen, réparation ou réglage.
- L'utilisation d'accessoires non recommandés par le fabricant de l'appareil peut entraîner un incendie, un choc électrique ou des blessures corporelles.
- Ne pas utiliser à l'extérieur.
- Ne pas laisser le cordon pendre au bord d'une table ou d'un comptoir, ou toucher une surface chaude.
- Ne pas placer sur ou près d'un brûleur électrique ou à gaz chaud, ou dans un four chaud.
- Toujours éteindre l'appareil avant de le débrancher de sa prise murale. Pour la mise hors tension, éteindre l'appareil, puis le débrancher de sa prise murale.
- Ne pas utiliser l'appareil pour un autre usage que celui pour lequel il est conçu.
- Utiliser la production de vapeur avec la plus grande prudence.
- Vérifier s'il y a des corps étrangers dans la trémie avant utilisation.

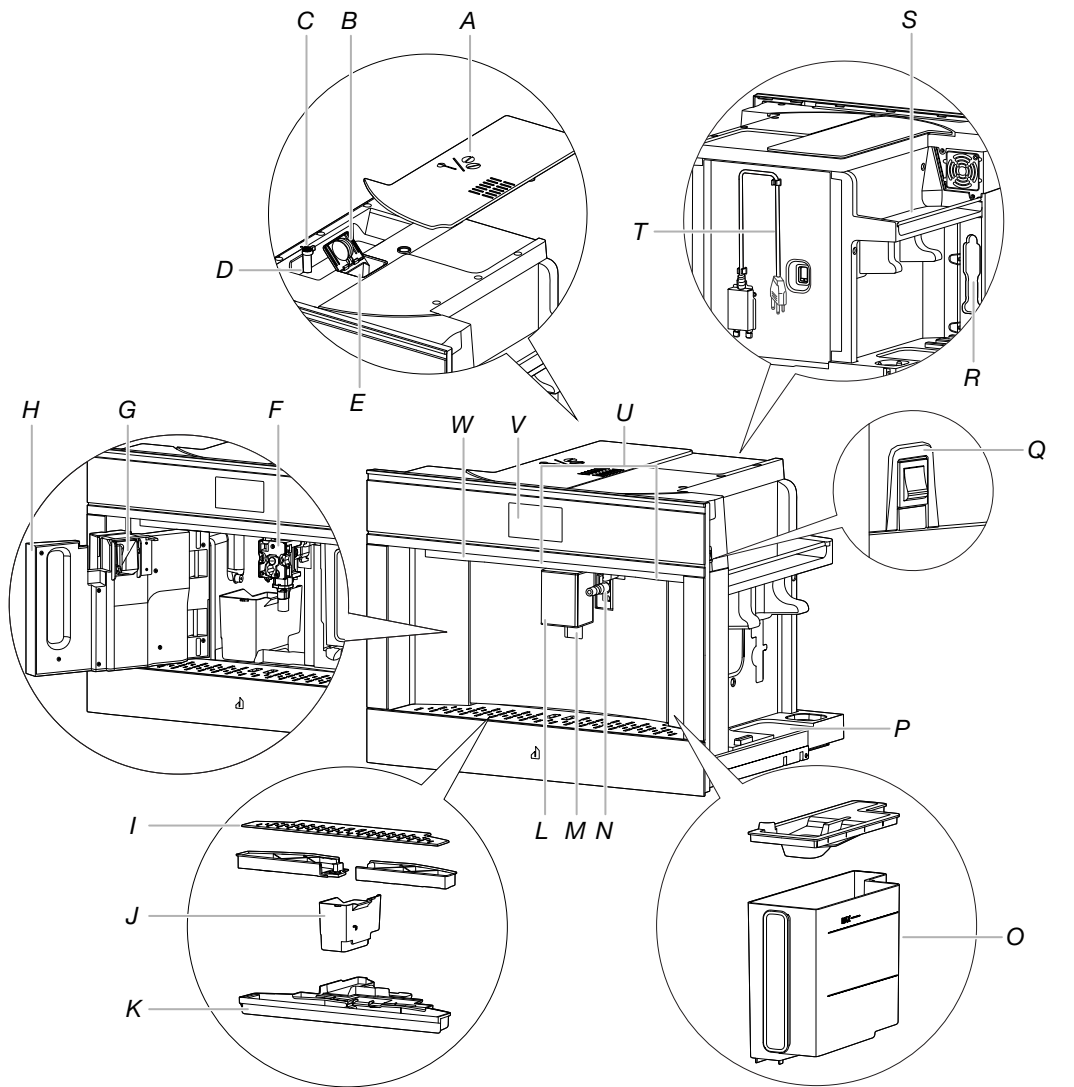
## CONSERVEZ CES INSTRUCTIONS



# PIÈCES ET CARACTÉRISTIQUES

Ce manuel couvre plusieurs modèles. La machine à espresso que vous avez achetée peut comporter tous les éléments énumérés ou seulement certains d'entre eux. L'emplacement et l'apparence des caractéristiques illustrées peuvent ne pas correspondre à ceux de votre modèle.

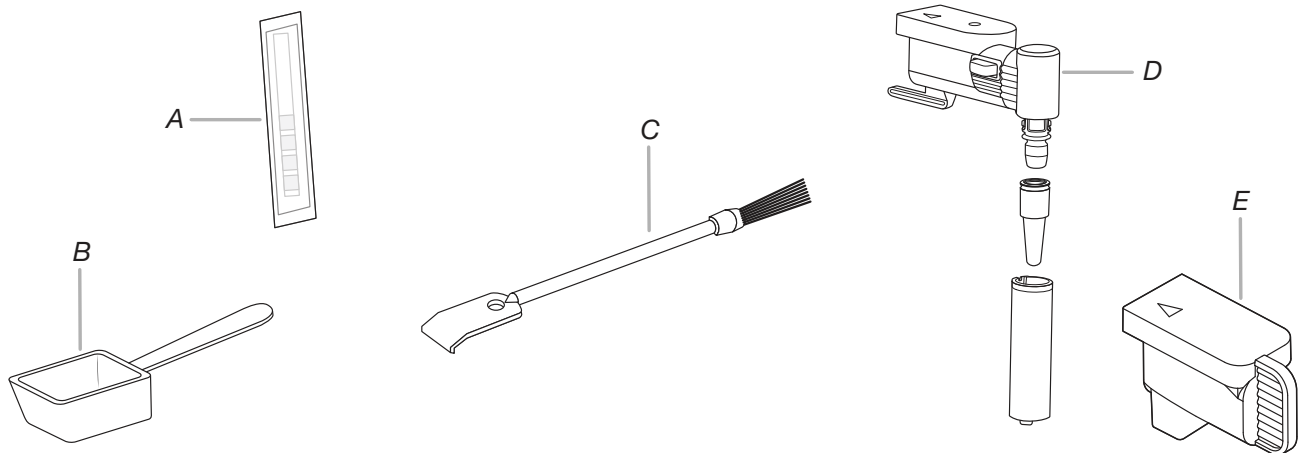
## Machine à espresso :



- A. Couvercle du récipient à grains de café
- B. Porte du café déjà moulu
- C. Roulette de réglage de mouture
- D. Récipient à grains de café
- E. Entonnoir pour café moulu
- F. Infuseur
- G. Guide de café
- H. Porte d'entretien
- I. Plateau à tasses
- J. Récipient à grains de café
- K. Plateau d'égouttement
- L. Becs de café (hauteur réglable)

- M. Éclairage pour tasse
- N. Embout de connexion d'eau chaude/de vapeur
- O. Réservoir d'eau
- P. Plateau de rangement
- Q. Interrupteur principal
- R. Porte d'accessoire de mesure
- S. Rebord plateau chauffe-tasse
- T. Cordon d'alimentation
- U. Éclairage pour éclairer le compartiment intérieur
- V. Tableau de commande
- W. Bouton Marche/Veille

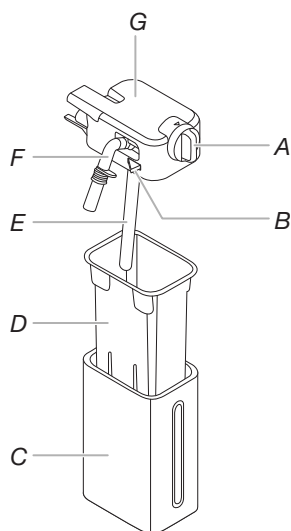
## Accessoires :



A. Papier réactif « test de dureté totale »  
B. Mesure de café moulu  
C. Brosse de nettoyage

D. Bec à eau chaude/vapeur  
E. Couvercle d'embout de connexion

## Réceptif à lait et accessoires :



A. Commande de réglage du moussage et de nettoyage  
B. Boutons de déverrouillage du couvercle  
C. Boîtier thermique

D. Réceptif à lait  
E. Tube d'entrée du lait  
F. Bec réglable de moussage du lait  
G. Couvercle avec mousseur de lait

\*Filtre à eau non offert sur ce modèle.

# AVANT D'UTILISER LA MACHINE À ESPRESSO

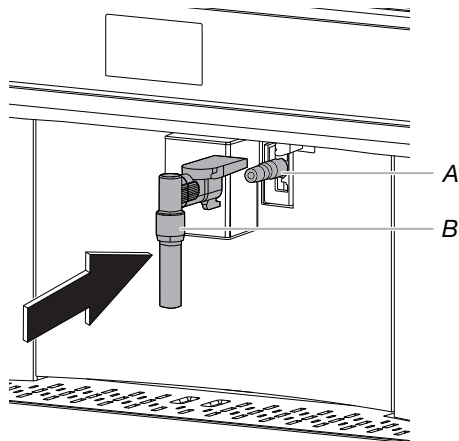
**REMARQUE :** Ce produit est conçu uniquement pour un usage domestique.

Du café a été utilisé à l'usine pour tester la machine. Il est donc normal de trouver des traces de café dans le moulin.

Personnalisez le réglage de dureté de l'eau aussi rapidement que possible. Voir le point « Dureté de l'eau » dans la section « Réglages ».

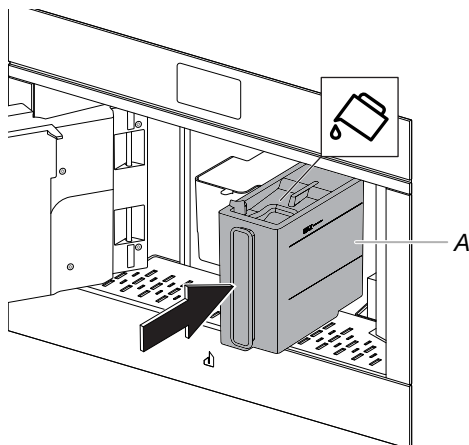
**IMPORTANT :** Suivre les étapes suivantes avant d'utiliser la machine à espresso pour la première fois.

1. **INSÉRER LA SORTIE D'EAU :** S'assurer que le bec verseur à eau/vapeur est inséré sur l'embout de connexion.



A. Embout à eau chaude et vapeur  
B. Bec de distribution d'eau chaude

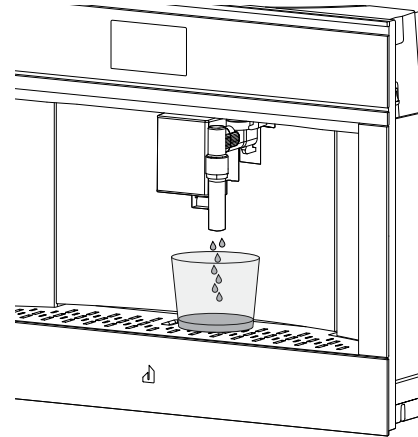
2. Mettre la machine à espresso en marche. D'abord s'assurer que le commutateur ON/OFF (marche/arrêt) principal est à la position ON (marche). Appuyer ensuite sur le bouton On/Standby (marche/attente) pour mettre la machine à espresso en marche. L'emplacement des boutons est indiqué dans la section « PIÈCES ET CARACTÉRISTIQUES ».
3. Pour sélectionner la langue, appuyer sur < ou > jusqu'à ce que le drapeau correspondant à la langue souhaitée apparaisse à l'écran. Appuyer ensuite sur le drapeau.
4. **REMPILIR LE RÉSERVOIR D'EAU FRAÎCHE :** Retirer le réservoir d'eau, ouvrir le couvercle et remplir d'eau fraîche jusqu'à la ligne MAX. Remettre le réservoir en place.



A. Réservoir d'eau

5. Placer un récipient d'une capacité minimum de 1/2 tasse (100 ml) sous le bec.

Le message WATER CIRCUIT EMPTY PRESS OK TO START FILLING PROCESS (circuit d'eau vide, appuyer sur OK pour lancer le processus de remplissage) s'affiche. Appuyer sur **✓ OK** pour confirmer.

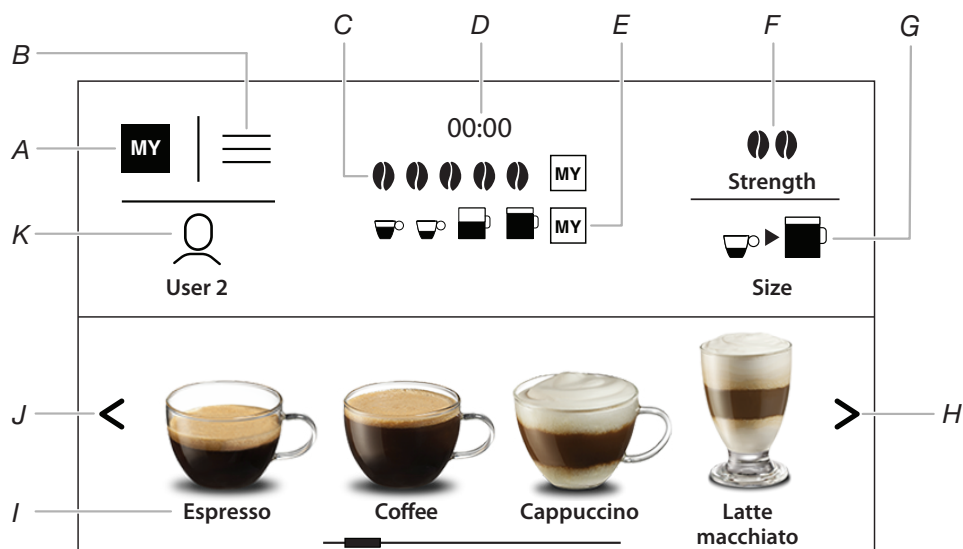


6. La machine à espresso distribuera de l'eau fraîche à partir du bec, puis s'éteindra automatiquement. La machine à espresso est à présent prête à l'emploi.

## REMARQUES :

- Lors de la première utilisation de la machine à espresso, vous devez préparer 4 à 5 cappuccinos avant que celle-ci ne donne de bons résultats.
- Avant de mettre en marche la machine à espresso, s'assurer que l'interrupteur principal se trouve en position ON (marche). Toutes les fois où la machine à espresso est mise en marche, elle effectue un préchauffage automatique et un programme de rinçage qui ne peut être interrompu. La machine à espresso est prête à être utilisée une fois le programme terminé.

# UTILISATION DE LA MACHINE À ESPRESSO



- A. Menu pour personnaliser les réglages de boissons  
 B. Menu des réglages de l'appareil  
 C. Intensité sélectionnée  
 D. Horloge  
 E. Taille sélectionnée  
 F. Sélection d'intensité

- G. Sélection de la taille  
 H. Flèche droite de défilement  
 I. Boissons à sélectionner (appuyer sur les flèches de défilement pour afficher toutes les boissons)  
 J. Flèche gauche de défilement  
 K. Profils personnalisables (voir la section « Sauvegarde de votre profil personnel »)

## Settings (réglages)

On peut modifier plusieurs réglages à partir du menu Settings (réglages) : Rinsing (rinçage), Beep (bip), Statistics (statistiques), Cup Warmer (chauffe-tasse), Water Hardness (dureté de l'eau), Auto-Off (arrêt automatique), Coffee Temperature (température du café), Descaling (détartrage), Auto-Start (mise en marche automatique), Set Language (réglage de la langue), Set Time (réglage de l'heure), Cup Lighting (éclairage de tasse), Drink Settings (réglages de boissons), Energy Saving (économie d'énergie), Background (fond d'écran), Demo Mode (mode démonstration) et Default Values (valeurs par défaut).

Pour accéder au menu des réglages, appuyer sur MENU. Pour quitter le menu Settings (Réglages), appuyer sur ESC (échappement).

### Rinsing (Rinçage)

Utilisez cette fonction pour rincer les becs de café et préchauffer la machine à espresso. Placer un récipient d'une capacité minimum de 1/2 tasse (100 ml) sous le bec de distribution de café et d'eau chaude.

- Appuyer sur pour accéder au menu.
- Appuyer sur ou jusqu'à ce que l'écran affiche RINSING (Rinçage).
- Appuyer sur pour commencer le rinçage.
- Après quelques secondes, de l'eau chaude s'écoule du bec et RINSING HOT WATER RUNNING (rinçage à l'eau chaude) s'affiche.
- Pour arrêter le programme de rinçage, appuyer sur STOP ou attendre que le rinçage s'arrête automatiquement.

**IMPORTANT :** Ne pas laisser la machine à espresso sans surveillance pendant qu'elle distribue de l'eau chaude.

### REMARQUES :

- Si la machine à espresso n'est pas utilisée pendant plus de 3 ou 4 jours, nous recommandons fortement d'effectuer 2 à 3 rinçages avant de l'utiliser.
- Après rinçage, il est normal que de l'eau reste dans le récipient à grains de café.

### Beep (Bip)

Cette fonction activera ou désactivera les tonalités lorsqu'une icône est enfoncée ou qu'un accessoire est inséré/retiré.

- Appuyer sur pour accéder au menu.
- Appuyer sur ou jusqu'à ce que BEEP (bip) s'affiche.
- Appuyer sur pour activer  ON ou désactiver  OFF la notification sonore. Appuyer sur ESC pour revenir à la page d'accueil.

### Statistics (Statistiques)

Cette fonction affiche les données statistiques de la machine à espresso.

- Appuyer sur pour accéder au menu.
- Appuyer sur ou jusqu'à ce que STATISTICS (statistiques) s'affiche.
- Appuyer sur . Il est possible de vérifier toutes les statistiques disponibles en appuyant sur ou . Appuyer sur ESC pour revenir à la page d'accueil.



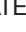


### Cup Warmer (Chauffe-tasse)

Utiliser le chauffe-tasse avant de produire du café.

- Appuyer sur pour accéder au menu.
- Appuyer sur ou jusqu'à ce que CUP WARMER (chauffe-tasse) s'affiche.
- Appuyer sur pour activer  ON ou désactiver  OFF le chauffe-tasse.
- Appuyer sur ESC pour revenir à la page d'accueil.







## Water Hardness (Dureté de l'eau)

**REMARQUE :** Le niveau de dureté de l'eau est réglé en usine au niveau 4. La machine à espresso peut être programmée en fonction de la dureté de l'eau fraîche afin que la machine à espresso puisse être détartrée moins souvent.







1. Retirer le papier réactif « Total hardness test » (test de dureté totale) inclus dans l'emballage.
2. Plonger le papier complètement dans un verre d'eau fraîche pendant environ une seconde.
3. Retirer le papier de l'eau et le secouer légèrement. Après une minute, 1, 2, 3 ou 4 carrés apparaîtront. Chaque carré correspond à un niveau.
4. Appuyer sur  pour accéder au menu. Appuyer sur  ou  jusqu'à ce que  WATER HARDNESS (dureté de l'eau) s'affiche.
5. Pour modifier le niveau sélectionné, appuyer sur le symbole jusqu'à ce que le niveau souhaité s'affiche (niveau 1 = eau douce, niveau 4 = eau très dure). Appuyer sur  ESC pour revenir à la page d'accueil.

## Auto-Off (Arrêt automatique)

L'arrêt automatique peut être réglé pour que la machine à espresso s'éteigne après 15 ou 30 minutes, ainsi qu'après 1 à 3 heures d'inutilisation.



1. Appuyer sur  pour accéder au menu.
2. Appuyer sur  ou  jusqu'à ce que l'écran affiche  AUTO-OFF (arrêt automatique), ainsi que la sélection (15 ou 30 minutes, 1, 2 ou 3 heures).
3. Appuyer sur  pour sélectionner la valeur souhaitée, puis appuyer sur  ESC pour revenir à la page d'accueil.



## Coffee Temperature (Température du café)

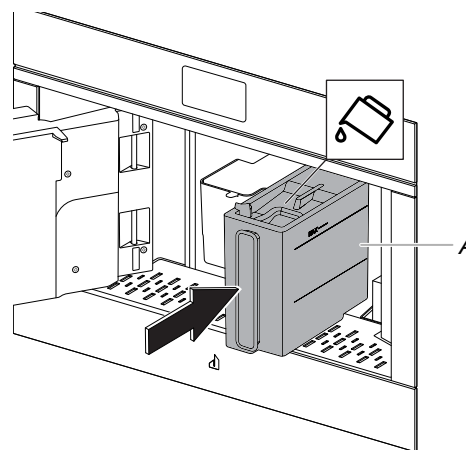
1. Appuyer sur  pour accéder au menu.
2. Appuyer sur  ou  jusqu'à ce que l'écran affiche  COFFEE TEMPERATURE (température du café) ainsi que la sélection (LOW, MEDIUM, HIGH, ou MAX) [basse, moyenne, haute ou max].
3. Appuyer sur  pour sélectionner la température souhaitée.
4. Appuyer sur  ESC pour revenir à la page d'accueil.

## Descaling (Détartrage)



**IMPORTANT :** Avant l'utilisation, lire les instructions et étiquettes de l'emballage de détartrage.

Détartrer l'appareil lorsque l'écran affiche DESCALING NEEDED PRESS OK TO START (détartrage requis, appuyer sur OK pour commencer) (~45 min) . Pour détartrer immédiatement, appuyer sur  OK et suivre les étapes.

1. « REMOVE WATER FILTER » (retirer le filtre à eau) s'affichera à l'écran (le cas échéant). Retirer le filtre d'eau (s'il y en a un) et vider le réservoir d'eau. Appuyer sur  NEXT.
2. AJOUTER DU DÉTARTRANT (JUSQU'AU NIVEAU A) ET DE L'EAU FRAÎCHE (JUSQU'AU NIVEAU B) : Verser du détartrant dans le réservoir jusqu'à la marque de niveau A située à l'intérieur du réservoir d'eau. Cette ligne représente un emballage de 100 mL. Ajouter 1 L (1 pte) d'eau fraîche jusqu'au niveau B et replacer le réservoir. Appuyer sur  NEXT.




A. Réservoir d'eau

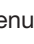

3. VIDER LE RÉCIPIENT À CAFÉ MOULU ET LE PLATEAU D'ÉGOUTTEMENT : Retirer, vider et remettre en place le plateau d'égouttement et le récipient à café moulu.
4. PLACER UN RÉCIPIENT DE 2,5 L (3 pte) SOUS LE BEC, APPUYER SUR OK POUR LANCER LE DÉTARTRAGE : Placer un récipient vide de 2,5 l (3 pte) ou plus sous le bec verseur d'eau chaude/de vapeur et de café.
5. Appuyer sur  OK pour confirmer que la solution de détartrage a été ajoutée. L'écran affiche DESCALING PLEASE WAIT (détartrage, veuillez attendre), ce qui signifie que le programme est lancé.
6. Le détartrant sortira des bacs verseurs d'eau chaude/ de vapeur et de café. Une série de rinçages et de pauses s'enchaînent automatiquement pour retirer tous les résidus de tartre de l'intérieur de la machine à espresso.
7. Après environ 25 minutes, le détartrage cesse; RINSE AND FILL WATER TANK UP TO MAX LEVEL (rincer le réservoir d'eau et le remplir jusqu'au niveau maximum) s'affiche. Vider le récipient utilisé pour la solution de détartrage et le replacer sous les bacs. Retirer le réservoir d'eau, le vider, le rincer, le remplir jusqu'à la ligne MAX et le remettre en place. Appuyer sur  OK.

\*Filtre à eau non offert sur ce modèle.

8. L'écran affichera RINSING PLEASE WAIT (rinçage, veuillez attendre) et de l'eau chaude s'écoulera des becs.
9. Une fois l'eau fraîche écoulée, vider le récipient utilisé pour recueillir l'eau fraîche des becs.
10. INSERT FILTER INTO ITS HOUSING (placer le filtre dans son logement) s'affichera.  
Appuyer sur **> NEXT** et retirer le réservoir d'eau. Replacer le filtre d'eau s'il a été enlevé précédemment.  
**REMARQUE** : Filtre à eau non offert sur ce modèle.
11. RINSE AND FILL WATER TANK UP TO MAX LEVEL (rincer et remplir le réservoir d'eau jusqu'à la ligne maximum) s'affiche. Remplir le réservoir d'eau fraîche jusqu'à la ligne MAX. Ensuite, INSERT WATER TANK (placer le réservoir d'eau) s'affiche. Replacer le réservoir d'eau dans la machine à espresso.
12. PLACER UN RÉCIPIENT DE 2,5 L (3 pts) SOUS LE BEC APPUYER SUR OK POUR LANCER LE RINÇAGE : Placer le récipient vide utilisé pour collecter la solution de détartrage sous les becs et appuyer sur **✓ OK**. De l'eau chaude sera distribuée et RINSING PLEASE WAIT (rinçage, veuillez attendre) s'affiche.
13. VIDER LE PLATEAU D'ÉGOUTTEMENT : À la fin du programme de rinçage, retirer, vider et remettre en place le plateau d'égouttement, ainsi que le récipient à café moulu. Remettre en place et appuyer sur **> NEXT**.
14. Pendant quelques secondes, DESCAL COMPLETE PRESS OK (détartrage terminé, appuyer sur OK) s'affiche, puis la machine à espresso s'éteint. Le processus de détartrage est terminé.

**REMARQUE** : Pour reporter le détartrage à un autre moment, appuyer sur **ESC**. À l'écran, le symbole  restera affiché à titre de rappel.

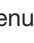


#### Pour accéder au menu de détartrage :

1. Appuyer sur  pour accéder au menu.
2. Appuyer sur **< ou >** jusqu'à ce que l'écran affiche  DESCAL (détartrage). Appuyer sur **▶** pour démarrer le programme de détartrage. Suivre les instructions à l'écran jusqu'à ce que le programme soit terminé.

#### Auto-Start (Mise en marche automatique)

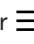


L'heure de mise en marche automatique peut être réglée pour que la cafetière soit prête à un certain moment.

**REMARQUE** : Pour activer cette fonction, l'heure doit être réglée correctement. Pour régler l'heure, consulter la section « Régler l'horloge ».

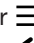


1. Appuyer sur  pour accéder au menu.
2. Appuyer sur **< ou >** jusqu'à ce que l'écran affiche  AUTO-START (mise en marche automatique). Sélectionner la fonction en appuyant sur . Le panneau de réglage de l'heure s'affiche.
3. Appuyer sur **< ou >** correspondant aux heures et minutes jusqu'à ce que l'heure de mise en marche automatique souhaitée s'affiche. Appuyer sur **OFF** ou **ON** pour activer ou désactiver la mise en marche automatique.
4. Pour confirmer, appuyer sur **✓ OK**. Pour annuler ou revenir à la page d'accueil, appuyer deux fois sur **ESC**.  
La mise en marche automatique est maintenant réglée et le symbole s'affiche à côté de l'heure pour indiquer que la fonction est activée.

**REMARQUE** : Lorsque la machine à espresso est éteinte à l'aide de l'interrupteur principal, le réglage de mise en marche automatique se désactive s'il était activé.

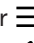


#### Set Language (Réglage de la langue)

1. Appuyer sur  pour accéder au menu.
2. Appuyer sur **< ou >** jusqu'à ce que l'écran affiche  SET LANGUAGE (réglage de la langue).
3. Appuyer sur . Appuyer sur **< ou >** jusqu'à ce que le drapeau correspondant à la langue souhaitée s'affiche, puis le sélectionner. Appuyer deux fois sur **ESC** pour revenir à la page d'accueil.

#### Set Time (Réglage de l'heure)

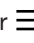


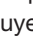
1. Appuyer sur  pour accéder au menu.
2. Appuyer sur **< ou >** jusqu'à ce que  SET TIME (réglage de l'heure) s'affiche.
3. Appuyer sur . Le panneau de réglage de l'heure s'affiche.
4. Appuyer sur **< ou >** correspondant aux heures et aux minutes jusqu'à ce que l'heure actuelle s'affiche. Pour confirmer, appuyer sur **✓ OK**. Pour annuler, appuyer sur **ESC**, puis appuyer de nouveau pour revenir à la page d'accueil.

#### Cup Lighting (Éclairage de tasse)

1. Appuyer sur  pour accéder au menu.
2. Appuyer sur **< ou >** jusqu'à ce que l'écran affiche  CUP LIGHTING (éclairage de tasse).
3. Appuyer sur  pour activer **ON** ou désactiver **OFF** l'éclairage. Appuyer sur **ESC** pour revenir à la page d'accueil.

#### Drink Settings (Réglages de boissons)

Dans cette section, il est possible de consulter les réglages personnalisés et de les réinitialiser aux valeurs par défaut pour chaque boisson.

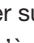
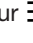
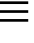




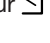
1. Appuyer sur  pour accéder au menu. Appuyer sur **< ou >** jusqu'à ce que  DRINK SETTINGS (réglages de boissons) s'affiche à l'écran.
2. Le profil d'utilisateur de référence est surligné à l'écran. Les valeurs sont indiquées sur les barres verticales. La valeur par défaut du fabricant est indiquée par le symbole  alors que la valeur du réglage actuel est surlignée par la partie remplie de la barre verticale.
3. Pour revenir au menu des réglages, appuyer sur **ESC**. Pour faire défiler et afficher les boissons, appuyer sur **> NEXT**. Pour revenir aux valeurs par défaut du fabricant de la boisson affichée à l'écran, appuyer sur  RESET (réinitialisation). CONFIRM RESET (confirmer la réinitialisation) s'affiche. Pour confirmer, appuyer sur **✓ OK**. Pour annuler, appuyer sur **ESC**.
4. RETURN TO FACTORY (retour aux valeurs d'usine) s'affiche. Appuyer sur **✓ OK**.  
La boisson a été réinitialisée à ses valeurs par défaut. Continuer avec les autres boissons ou revenir au menu des réglages.

**REMARQUE** : Pour modifier la boisson pour un autre profil, revenir à la page d'accueil, sélectionner le profil souhaité et répéter la procédure.

Pour réinitialiser toutes les boissons à leurs valeurs par défaut dans le profil, consulter la section « Valeurs par défaut ».

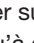
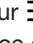
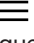


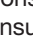
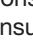
## Energy Saving (Économie d'énergie)

Utiliser cette fonction pour activer ou désactiver le mode d'économie d'énergie. Lorsqu'il est activé, ce mode garantit une réduction de la consommation d'énergie. Lorsqu'il est désactivé, le temps de réchauffage est réduit.

1. Appuyer sur  pour accéder au menu. Appuyer sur  ou  jusqu'à ce que  ENERGY SAVING (économie d'énergie) s'affiche à l'écran.
2. Appuyer sur  pour activer  ON ou désactiver  OFF le mode d'économie d'énergie. Appuyer sur  ESC pour retourner à la page d'accueil.

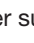
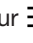


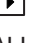

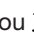
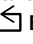

## Demo Mode (Mode de démonstration)

En utilisant ce réglage, les fonctions principales de la machine à espresso sont seulement présentées.

1. Appuyer sur  pour accéder au menu. Appuyer sur  ou  jusqu'à ce que l'écran affiche  DEMO MODE (mode de démonstration). Appuyer sur  pour mettre en marche la démonstration.
2. Pour quitter le mode de démonstration, éteindre l'infuseur en appuyant sur . Appuyer ensuite de nouveau sur  pour retourner à la page d'accueil.








## Default Values (Valeurs par défaut)

Cette fonction permet de réinitialiser aux valeurs par défaut tous les réglages et programmes des menus (à l'exception de la langue qui reste au réglage sélectionné).

1. Appuyer sur  pour accéder au menu. Appuyer sur  ou  jusqu'à ce que l'écran affiche  DEFAULT VALUES (valeurs par défaut). Appuyer sur .
2. Appuyer sur  RESET ALL (réinitialiser tout) pour réinitialiser tous les profils aux paramètres d'origine, autrement, sélectionner le profil souhaité (p. ex., Utilisateur 1).
3. RETURN TO FACTORY SETTINGS? (Revenir aux réglages d'usine?) RESET ALL (Réinitialiser tout) s'affiche. Appuyer sur  OK pour confirmer ou  ESC pour laisser les réglages comme ils sont.
4. FACTORY SETTINGS SET (Retour aux réglages d'usine effectué). Appuyer sur  OK pour confirmer.

## Personnaliser les boissons

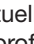
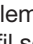
L'intensité et la taille des boissons peuvent être personnalisées.



1. Le profil sur lequel la personnalisation sera effectuée doit être activé. Un maximum de six profils sont disponibles sur l'appareil. Un seul profil peut être sélectionné à la fois.
2. À partir de la page d'accueil, appuyer sur . Choisir la boisson à personnaliser pour accéder à l'écran de personnalisation, les accessoires pertinents doivent être insérés.
3. (Boissons avec café seulement) CHOOSE COFFEE STRENGTH LEVEL (choisir l'intensité du café) s'affiche. Sélectionner l'intensité souhaitée en appuyant sur  ou , puis appuyer sur  OK.
4. CUSTOMIZING COFFEE (OR FRESH WATER) SIZE, PRESS STOP TO SAVE (personnalisation de la taille de tasse de café [ou d'eau fraîche], appuyer sur arrêt pour sauvegarder) s'affiche. La préparation commence et la machine à espresso affiche l'écran de personnalisation de taille sous la forme d'une barre verticale. L'étoile sur le côté de la barre représente la taille actuellement sélectionnée.
5. Lorsque la quantité atteint la taille minimale possible, l'écran affiche  STOP. Appuyer sur  STOP lorsque la quantité souhaitée est atteinte dans la tasse. SAVE NEW SETTINGS? (Sauvegarder les nouveaux réglages?) s'affiche. Appuyer sur YES (oui) ou NO (non).
6. L'application confirme si les valeurs ont été sauvegardées ou non (selon la sélection précédente). Appuyer sur  OK. La machine à espresso revient à la page d'accueil.

**REMARQUE :** Pour les boissons à base de lait, l'intensité du café est d'abord sauvegardée, suivie par la quantité de lait, puis de café.

## Sauvegarde de votre profil personnel








La machine à espresso permet de sauvegarder six profils différents, chacun associé à une icône différente. Dans chaque profil, les valeurs STRENGTH (intensité) et SIZE (taille) personnalisées de la boisson MY (moi) sont sauvegardées et l'ordre d'affichage des boissons est basé sur la fréquence d'utilisation.

Pour sélectionner ou accéder à un profil, appuyer sur le profil actuellement en utilisation, appuyer sur  ou  jusqu'à ce que le profil souhaité soit affiché, puis appuyer sur le profil.

**REMARQUE :** Profile  GUEST (profil invité) : Sélectionner ce profil pour préparer une boisson en utilisant les réglages par défaut. La fonction  n'est pas active.

## Sélection de l'intensité du café

Sélectionner l'intensité souhaitée à partir de la page d'accueil en appuyant sur **MY** STRENGTH (intensité).

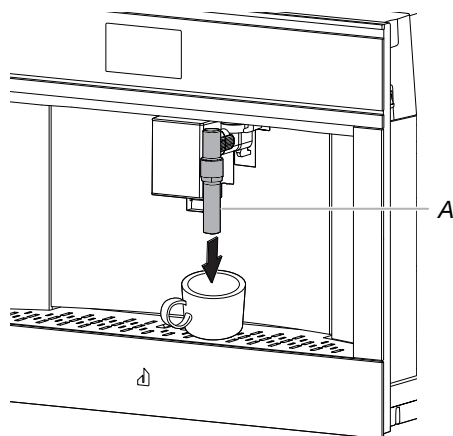
	(Consulter la section « Préparer une boisson en utilisant du café déjà moulu »)
 MY	EXTRA LIGHT STRENGTH (INTENSITÉ TRÈS LÉGÈRE)
 MY	LIGHT STRENGTH (INTENSITÉ LÉGÈRE)
 MY	MEDIUM STRENGTH (INTENSITÉ MOYENNE)
 MY	STRONG STRENGTH (INTENSITÉ FORTE)
 MY	EXTRA STRONG STRENGTH (INTENSITÉ TRÈS FORTE)
 MY	CUSTOM STRENGTH (INTENSITÉ PERSONNALISÉE) - si programmée / STANDARD STRENGTH (INTENSITÉ STANDARD)

Une fois la boisson versée, le réglage d'intensité revient à la valeur **MY**.

## Préparer une boisson ou un espresso en utilisant des grains de café

**IMPORTANT :** Ne pas utiliser de grains de café verts, caramélisés ou confits puisqu'ils peuvent coller au moulin à café et le rendre inutilisable.


1. Remplir le récipient à grains de café de grains de café. Placer une tasse sous le bec verseur de café.
2. Abaisser le bec pour qu'il soit aussi près que possible de la tasse. Ceci aidera à obtenir une meilleure crème.



A. Bec de distribution de café

3. Appuyer sur **<** ou **>** jusqu'à ce que la boisson désirée soit sélectionnée. Sélectionner ensuite le café souhaité à partir de la page d'accueil : Espresso, Doppio+ (Double), Coffee (café), Long (allongé), X2 Espresso ou Americano.
4. La préparation commence et l'écran affiche l'image de la boisson sélectionnée, ainsi qu'une barre de progression qui se remplit progressivement.

**REMARQUE :** Il est possible de préparer simultanément deux tasses d'espresso.

1. Appuyer sur **x2**  pendant la préparation d'un espresso.
2. Pendant que la machine prépare le café, la procédure peut être annulée en tout temps en appuyant sur **X STOP**.

3. Dès que la machine a terminé de verser le café, appuyer sur **+ EXTRA** pour augmenter la quantité de café dans la tasse. Une fois la quantité souhaitée atteinte, appuyer sur **X STOP**.
4. Une fois le café terminé, la machine est prête à préparer une autre boisson.

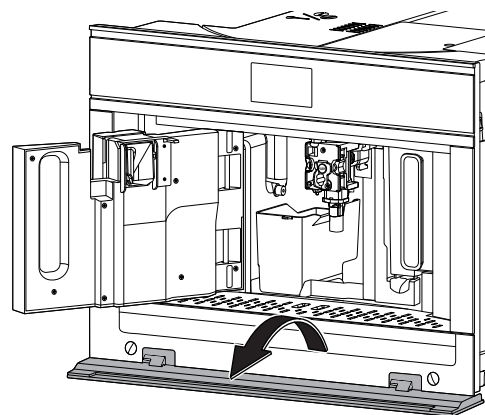
**REMARQUE :** Différents messages peuvent s'afficher pendant l'utilisation de l'appareil (FILL TANK, EMPTY GROUNDS CONTAINER, etc. [remplissage, réservoir, vide, mouture, récipient, etc.]). Leur signification est expliquée à la section « Messages affichés ».

- Pour obtenir un café plus chaud, consulter la section « Conseils pour obtenir un café plus chaud ».
- Si le café n'est versé que par gouttes, qu'il n'est pas suffisamment intense et crémeux ou qu'il est trop froid, consulter les sections « Régler le moulin à café » et « Dépannage ».
- Si le mode « Energy Saving » (économie d'énergie) est activé, le premier café pourrait prendre quelques secondes avant d'être versé.

### Nettoyage :

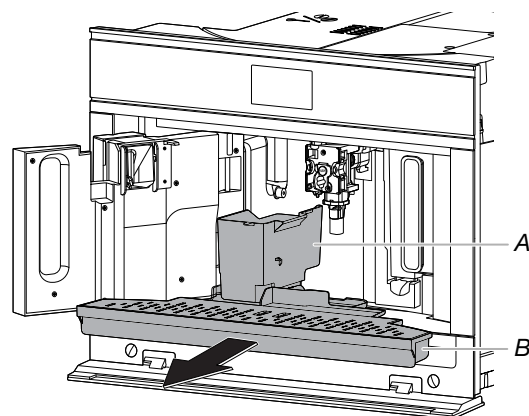
Après 14 tasses de café, le plateau d'égouttement doit être nettoyé et le récipient à grains de café vidé.

1. Ouvrir la porte d'entretien située à l'avant en tirant sur le bec verseur de café.



2. Retirer et nettoyer le plateau d'égouttement.

**REMARQUE :** Lors du nettoyage de la machine à espresso, toujours retirer complètement le plateau d'égouttement.



A. Récipient à grains de café  
B. Plateau d'égouttement

3. Vider le récipient à grains de café et le remettre en place.  
**REMARQUE :** Toutes les fois où le plateau d'égouttement est enlevé, le récipient à grains de café doit être vidé. Ne pas effectuer cette procédure pourrait obstruer la machine.
4. Replacer le plateau à égouttement et fermer la porte d'entretien.



## Sélection de la taille de la tasse de café

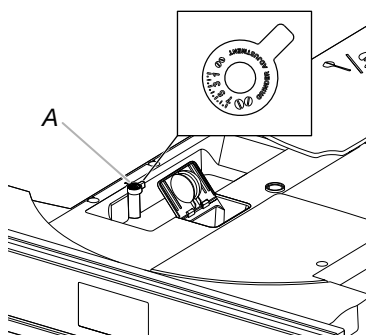
À partir de la page d'accueil, sélectionner la taille de tasse de café souhaitée en appuyant sur ☕➡☕ SIZE (taille).

	SMALL SIZE (PETITE TAILLE)
	MEDIUM SIZE (TAILLE MOYENNE)
	LARGE SIZE (GRANDE TAILLE)
	EXTRA LARGE SIZE (TRÈS GRANDE TAILLE)
	CUSTOM SIZE (TAILLE PERSONNALISÉE) - si programmée / STANDARD SIZE (TAILLE STANDARD)

Une fois la boisson versée, le réglage de taille revient à la valeur .

## Réglage du moulin à café

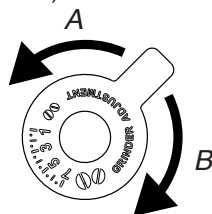
Le moulin à café est réglé en usine et ne nécessite aucun réglage. Cependant, si après les quelques premières préparations le café n'est pas assez intense et crémeux ou qu'il est versé trop lentement (une goutte à la fois), la situation peut être corrigée en bougeant la roulette de réglage de mouture.



A. Bouton de réglage de mouture

**REMARQUE :** La roulette de réglage de mouture ne doit être tournée que lorsque le moulin est en fonction, pendant la phase initiale de la préparation du café.

1. Si le café est distribué trop lentement ou qu'il n'est pas du tout distribué le message GROUND TOO FINE. ADJUST GRIND LEVEL (mouture trop fine. Régler le niveau de mouture) s'affiche. tourner la roulette du moulin a café d'un ou deux clic dans le sens horaire.
2. Pour obtenir un café plus riche, intense et crémeux, tourner d'un clic dans le sens antihoraire vers le un. (Ne pas tourner de plus d'un clic à la fois. Le café pourrait sinon ne couler qu'une goutte à la fois.)



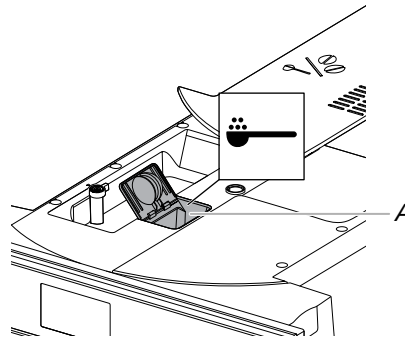
- A. Sens antihoraire pour une mouture plus fine  
B. Sens horaire pour une mouture plus grossière

L'effet de ces réglages ne sera évident qu'après la distribution d'au moins deux tasses de café. Si ce réglage ne donne pas le résultat souhaité, répéter la correction en tournant la roulette d'un autre clic.

## Préparer une boisson en utilisant du café déjà moulu

### IMPORTANT :

- Ne jamais ajouter de café déjà moulu lorsque la machine à espresso est éteinte pour éviter qu'il se répande dans la machine à espresso et la salisse. Cela pourrait endommager l'appareil.
  - Ne jamais utiliser plus d'une mesure pour ne pas salir l'intérieur de la machine à espresso ou boucher l'entonnoir.
1. Appuyer sur STRENGTH (intensité) jusqu'à ce que l'écran affiche (déjà moulu).
  2. Ouvrir le couvercle et la porte de café déjà moulu.
  3. S'assurer que l'entonnoir n'est pas bloqué, puis ajouter une mesure de café déjà moulu.



A. Entonnoir central

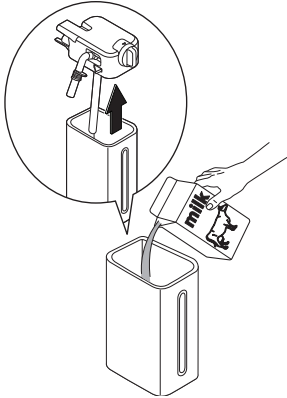
4. Placer une tasse sous le bec verseur de café, puis sélectionner le café de votre choix à partir de la page d'accueil.
5. La préparation commence et l'image de la boisson sélectionnée s'affiche à l'écran, ainsi qu'une barre de progression qui se remplit progressivement.

### REMARQUES :

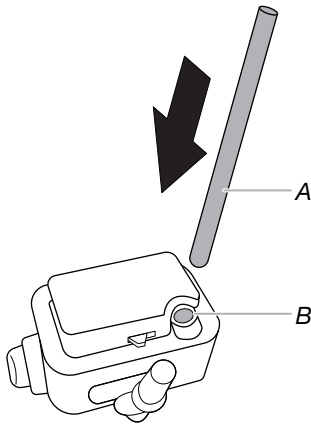
- Il n'est possible de faire qu'une tasse de café à la fois lorsque du café déjà moulu est utilisé.
- Pendant que la machine à espresso prépare le café, la procédure peut être annulée en tout temps en appuyant sur STOP.
- Dès que la machine a terminé de verser le café, appuyer sur EXTRA pour augmenter la quantité de café dans la tasse. Une fois la quantité souhaitée atteinte, appuyer sur STOP.
- Une fois le café terminé, la machine est prête à préparer une autre boisson.

## Préparer une boisson à base de lait

1. Enlever le couvercle du récipient à lait.

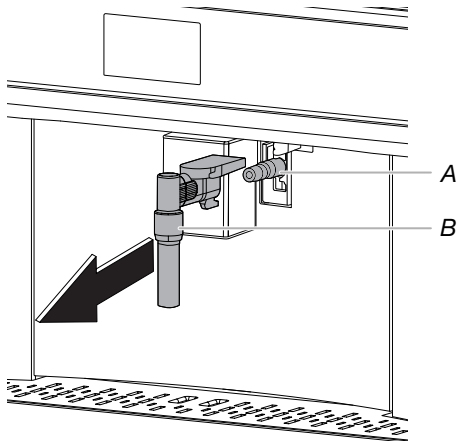


2. Remplir le récipient d'environ 1/2 tasse (100 ml) de lait pour chaque cappuccino à préparer. Ne pas remplir au-dessus de la ligne MAX du récipient à lait. Pour obtenir une mousse plus dense ou égale, utiliser du lait écrémé ou partiellement écrémé.
3. S'assurer que le tube d'entrée du lait est bien inséré dans la base du couvercle du récipient à lait et remettre le couvercle sur le récipient.



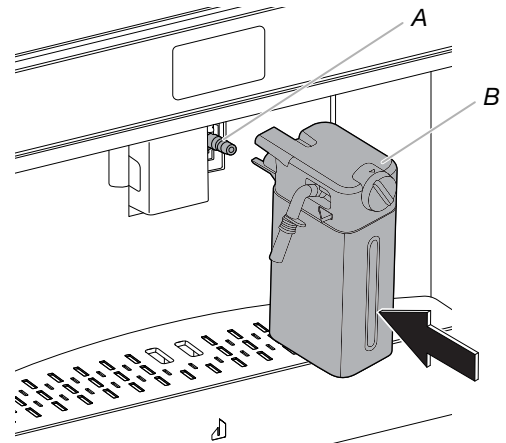
A. Tube d'entrée du lait  
B. Rondelle en caoutchouc

4. Retirer le bec de distribution d'eau chaude/de vapeur.



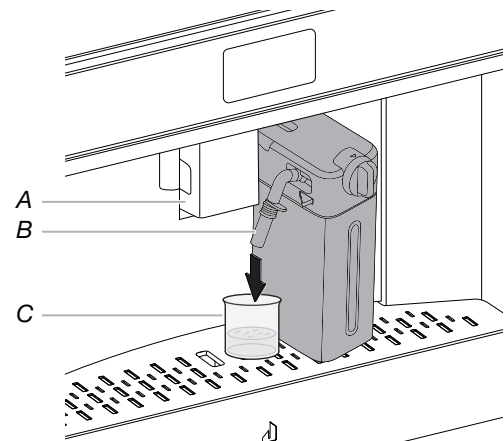
A. Embout à eau chaude et vapeur  
B. Bec de distribution d'eau chaude

5. Fixer le récipient à lait à l'embout en poussant le fond du récipient. Un signal d'alerte retentira si la notification sonore est activée.



A. Embout à eau chaude et vapeur  
B. Récipient à lait




6. Placer une grande tasse sous les bacs verseurs de café et pour faire mousser le lait. Pour déplacer le bec plus près de la tasse, le tirer simplement vers le bas.



A. Bec de distribution de café  
B. Bec pour de distribution de lait  
C. Tasse

### Réglage de la quantité de mousse

Tourner le réglage de la quantité de mousse sur le récipient de lait pour obtenir la quantité de mousse souhaitée pendant la préparation de la boisson. Consulter le tableau ci-dessous.

POSITION DE LA ROULETTE	DESCRIPTION	RECOMMANDÉ POUR
	Aucune mousse	CAFÉ AU LAIT/LAIT (lait chaud)
	Un peu de mousse	CAFÉ AU LAIT NOISETTE
	Beaucoup de mousse	CAPPUCCINO/LAIT (lait moussé)

## Préparer automatiquement une boisson à base de lait

1. Remplir le récipient de lait et le fixer comme indiqué précédemment.
2. Sélectionner la boisson souhaitée à partir de la page d'accueil : Cappuccino, Latte Macchiato (café au lait noisette), Caffè Latte (café au lait.), Hot Milk (lait chaud), Cappuccino+, Espresso Macchiato (espresso noisette), Flat White (voile blanc) or Cappuccino Mix (mélange de cappuccino).
3. À l'écran, la machine à espresso recommande de tourner la commande de réglage de la mousse en fonction de la recette de base. Tourner la roulette située sur le dessus du récipient à lait et confirmer la sélection en appuyant sur **✓ OK**.
4. Après quelques secondes, la préparation commence automatiquement et une image de la boisson sélectionnée s'affiche à l'écran, ainsi qu'une barre de progression qui se remplit progressivement.
5. Une fois le café terminé, la machine à espresso est prête à préparer une autre boisson.

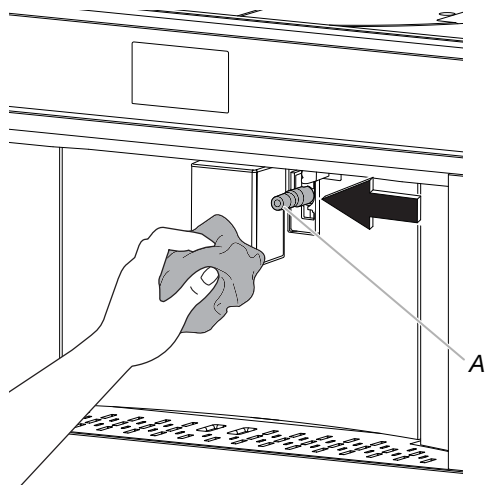
### REMARQUES :

- Si le mode « Energy Saving » (économie d'énergie) est activé, un délai de quelques secondes peut se produire avant que la boisson soit versée.
- Appuyer sur **ESC** pour interrompre entièrement la préparation et retourner à la page d'accueil.
- Appuyer sur **STOP** pour interrompre la distribution de café ou de lait et passer à la prochaine étape (si applicable) pour terminer la boisson.
- Dès que la machine a terminé de verser la boisson, appuyer sur **EXTRA** pour augmenter la quantité de café dans la tasse.
- Les préparations de toutes les boissons à base de lait peuvent être personnalisées. Consulter les sections « Personnaliser les boissons » et « Sauvegarde de votre profil personnel ».
- Ne pas laisser le récipient à lait à l'extérieur du réfrigérateur pendant plus de 15 minutes. Plus le récipient est laissé hors du réfrigérateur longtemps et moins il y aura de mousse.

### Nettoyage du bec à eau chaude/vapeur :

Toujours nettoyer le bec à eau chaude/vapeur après utilisation pour éviter l'accumulation de résidus de lait et prévenir les blocages.

1. Placer un récipient sous le bec à eau chaude/vapeur et laisser un peu d'eau fraîche couler. Consulter la section « Verser de l'eau chaude ». Arrêter de verser en appuyant sur **STOP**.
2. Attendre quelques minutes pour laisser refroidir le bec d'eau chaude/de vapeur. Une fois refroidi, retirer le bec. Bien tenir le bec d'une main et avec l'autre, tourner et enlever l'outil à cappuccino en le tirant vers le bas.



A. Bec à eau chaude/vapeur

3. Retirer aussi l'embout de connexion à vapeur en le tirant vers le bas. Vérifier que le trou dans l'embout de connexion n'est pas obstrué. Au besoin, nettoyer en utilisant un cure-dents.
4. Bien laver toutes les pièces du bec à l'aide d'une éponge et d'eau tiède. Fixer l'embout de connexion et l'outil à cappuccino sur le bec en le poussant vers le haut et en tournant dans le sens horaire jusqu'à ce qu'il soit bien positionné.

## Verser de l'eau chaude

1. S'assurer que le bec d'eau chaude/de vapeur est correctement fixé à l'embout de connexion d'eau chaude/de vapeur.
2. Placer un récipient aussi près possible sous le bec pour éviter les éclaboussures.
3. Sélectionner **HOT WATER** (eau chaude) à partir de la page d'accueil. L'image correspondante apparaît à l'écran, ainsi qu'une barre de progression qui se remplit progressivement.
4. La machine verse de l'eau chaude, puis arrête automatiquement. Pour arrêter manuellement, appuyer sur **STOP**.

### REMARQUES :

- Si le mode « Energy Saving » (économie d'énergie) est activé, un délai de quelques secondes peut se produire avant que l'eau chaude soit versée.
- La préparation de l'eau chaude peut être personnalisée. Consulter les sections « Personnaliser les boissons » et « Sauvegarde de votre profil personnel ».

## Préparation de vapeur

1. S'assurer que le bec d'eau chaude/de vapeur est correctement fixé à l'embout de connexion d'eau chaude/de vapeur. Remplir le récipient du liquide à faire chauffer ou mousser et plonger le bec d'eau chaude/de vapeur dans le liquide.
2. Sélectionner **STEAM** (vapeur) à partir de la page d'accueil. L'image correspondante apparaît à l'écran, ainsi qu'une barre de progression qui se remplit progressivement. Après quelques secondes, de la vapeur est distribuée par le bec d'eau chaude/de vapeur pour chauffer le liquide.
3. Lorsque la température souhaitée est atteinte ou que le niveau de mousse est obtenu, arrêter la vapeur en appuyant sur **STOP**.

### Conseils d'utilisation de la vapeur pour faire mousser le lait :

- Ne pas oublier en choisissant le récipient que le liquide double ou triple de volume.
- Pour obtenir une mousse riche et dense, utiliser du lait écrémé ou partiellement écrémé à température du réfrigérateur.
- Pour obtenir une mousse crémeuse, faire tourner le récipient avec un lent mouvement vers le haut.
- Pour éviter que la mousse soit de mauvaise qualité ou comporte de grosses bulles, toujours nettoyer le bec.

# ENTRETIEN DE LA MACHINE À ESPRESSO

## Nettoyage général

Pour éviter d'endommager la machine à espresso, ne pas utiliser de solvants ou de nettoyeurs abrasifs pour nettoyer l'appareil. Utiliser un linge doux et humide pour nettoyer l'extérieur de la machine à espresso. Nettoyer régulièrement toutes les parties de la machine.

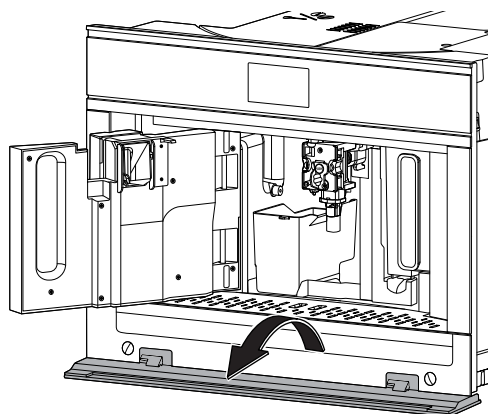
**IMPORTANT** : Avant tout nettoyage, éteindre la machine à espresso à l'aide de l'interrupteur principal On/Off (marche/arrêt) et le débrancher.

**IMPORTANT** : Ne pas plonger la machine à espresso dans l'eau.

### Nettoyer le récipient à grains de café et le plateau d'égouttement

Lorsque l'écran affiche le message EMPTY GROUNDS CONTAINER (vider le récipient à grains de café), le récipient à grains de café doit être vidé et nettoyé. L'appareil ne peut pas être utilisé pour préparer du café avant que le récipient soit nettoyé. Même s'il n'est pas complètement rempli, le message demandant de vider le récipient s'affiche 72 heures après la première préparation d'un café. Pour que les 72 heures soient bien calculées, la machine ne doit jamais être éteinte à l'aide de l'interrupteur principal.

1. Ouvrir la porte du bas en la faisant tourner vers le bas et en l'ouvrant.

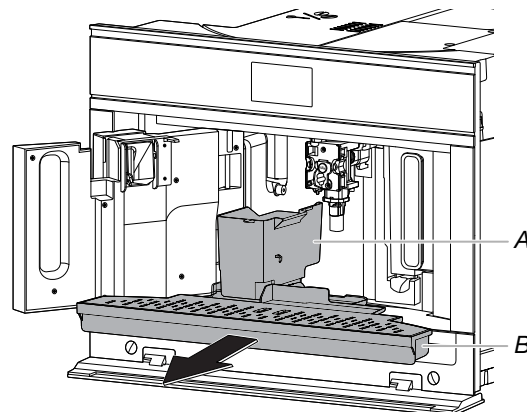


2. Retirer le plateau d'égouttement, le vider et le nettoyer.
3. Vider et nettoyer le récipient à grains de café en veillant de retirer tous les résidus qui peuvent s'être déposés au fond. La brosse incluse possède une spatule conçue spécialement pour cette tâche.

**IMPORTANT** : Toutes les fois où le plateau d'égouttement est enlevé, le récipient à grains de café doit être vidé. Si ce n'est pas fait, le récipient de grains de café pourrait remplir plus que ce qui est attendu et bloquer la machine.

Le plateau d'égouttement est muni d'un flotteur gris comme indicateur de niveau d'eau. Vider et nettoyer le plateau d'égouttement avant que le flotteur rouge ne sorte du plateau à tasse. Si le plateau d'égouttement n'est pas vidé, l'eau peut déborder et endommager la machine à espresso.

1. Ouvrir la porte et retirer le plateau d'égouttement et le récipient à grains de café.



A. Récipient à grains de café  
B. Plateau d'égouttement

2. Vider le plateau d'égouttement et le récipient à grains de café, puis les laver.
3. Bien replacer le plateau d'égouttement et le récipient à grains de café.

## Nettoyer le réservoir d'eau

Nettoyer régulièrement le réservoir d'eau à l'aide d'un linge humide et d'une petite quantité de détergent doux. Bien rincer avant de remplir le réservoir et de le remettre dans l'appareil.

## Nettoyer les becs verseurs de café

Nettoyer régulièrement les becs verseurs de café à l'aide d'une éponge ou d'un linge. Vérifier que les trous dans les becs verseurs ne sont pas bouchés. Au besoin, nettoyer les dépôts de café à l'aide d'un cure-dents.

## Nettoyer l'entonnoir pour café déjà moulu

Vérifier régulièrement que l'entonnoir pour café déjà moulu n'est pas obstrué. Au besoin, nettoyer les dépôts de café à l'aide de la brosse fournie.

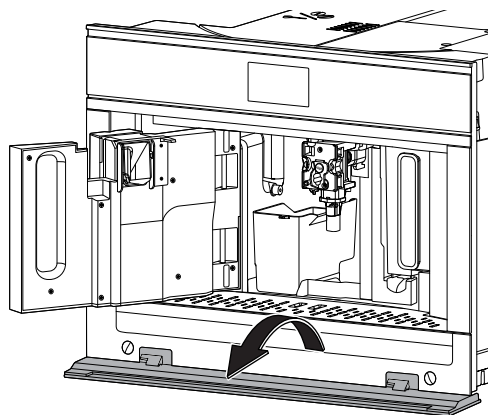
## Nettoyer l'intérieur

Vérifier l'intérieur de la machine à espresso environ une fois par semaine pour la présence de saleté et de débris. Au besoin, éliminer les dépôts de café avec la brosse fournie et une éponge ou un chiffon humide.

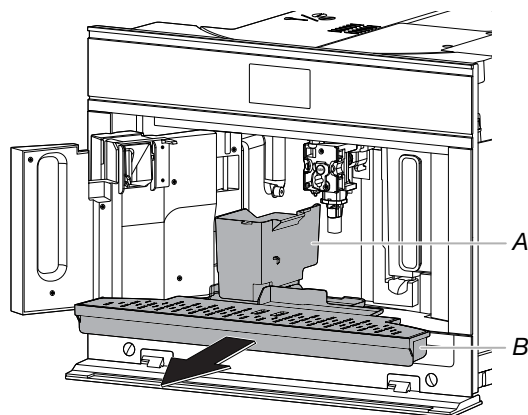
## Nettoyer l'infuseur

**IMPORTANT :** L'infuseur ne doit pas être retiré lorsque l'appareil est en marche. Ne pas forcer pour enlever l'infuseur.

1. S'assurer que la machine est bien arrêtée.
2. Ouvrir la porte d'entretien.

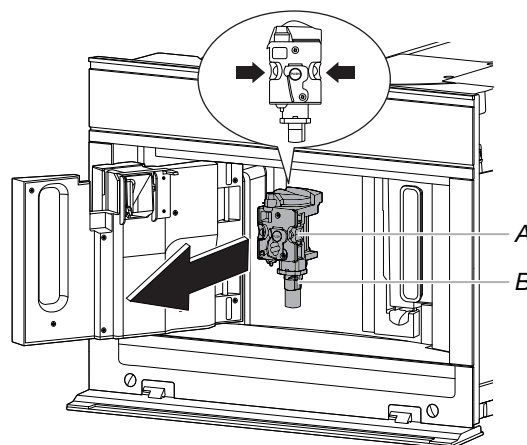


3. Retirer le plateau d'égouttement et le récipient à grains de café.



A. Récipient à grains de café  
B. Plateau d'égouttement

4. Pousser vers l'intérieur les deux boutons de dégagement de couleur et en même temps, tirer l'infuseur vers l'extérieur.

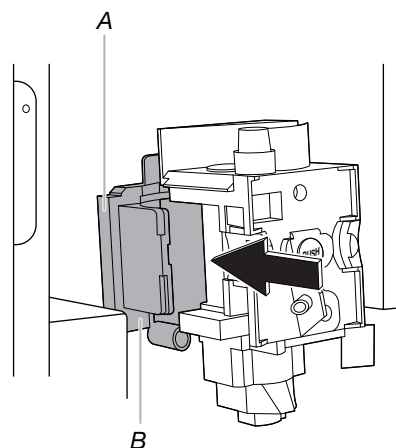


A. Boutons de dégagement  
B. Infuseur

5. Faire tremper l'infuseur dans l'eau fraîche pendant environ cinq minutes, puis rincer.

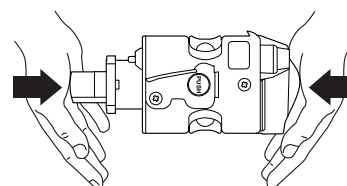
**IMPORTANT :** Ne pas utiliser de détergent lors du nettoyage de l'infuseur pour éviter d'enlever le lubrifiant sur le piston interne.

6. Après le nettoyage, replacer l'infuseur en le glissant dans le support interne et la tige située au fond, puis appuyer complètement sur le symbole PUSH (pousser) jusqu'à ce qu'on entende un déclic



A. Support  
B. Goupille

**REMARQUE :** En cas de difficultés au remplacement de l'infuseur, comprimez les pièces mobiles des parties supérieure et inférieure, comme indiqué dans l'illustration suivante, avant de le réinsérer.

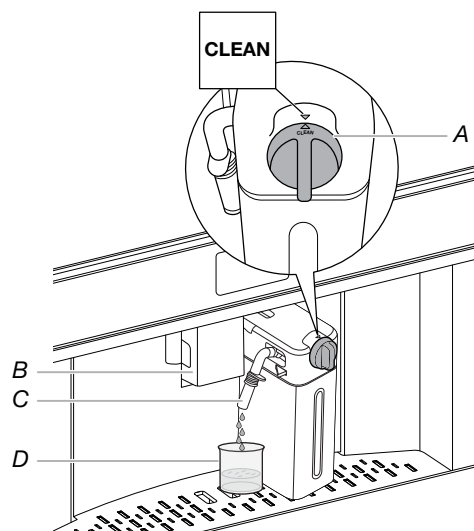


7. Une fois inséré, s'assurer que les deux boutons de dégagement colorés se sont déclenchés.
8. Replacer le plateau d'égouttement et le récipient à grains de café. Fermer la porte d'entretien.

## Nettoyer le récipient à lait

Toutes les fois où une fonction pour lait est utilisée, TURN MILK FROTH ADJUSTMENT KNOB TO CLEAN TO START CLEANING (placer le bouton de réglage du moussage du lait sur nettoyage pour mettre en marche le nettoyage) s'affiche à l'écran. De plus le couvercle du mousser à lait doit aussi être nettoyé.

1. Laisser le récipient à lait dans la machine à espresso. Il n'est pas nécessaire de le vider.
2. Placer une tasse ou un autre récipient sous le bec à faire mousser le lait.



- A. Commande de réglage de la mousse  
B. Becs de café  
C. Bec pour distribution de lait  
D. Tasse

3. Placer la commande de moussage sur CLEAN (nettoyage). CLEANING MILK CONTAINER PLACE A CUP UNDER THE MILK OUTLET (nettoyage du récipient à lait, placer une tasse sous le bec à lait) s'affiche, ainsi qu'une barre qui se remplit graduellement. Le nettoyage s'arrête automatiquement.
4. Placer de nouveau la commande sur la sélection de moussage. Retirer le récipient à lait et toujours nettoyer l'embout de connexion de vapeur avec une éponge.

### REMARQUES :

- Si plusieurs boissons à base de lait doivent être préparées, ne nettoyer le récipient à lait qu'après avoir préparé la dernière boisson. Pour préparer la prochaine boisson lorsque le message CLEAN (nettoyer) s'affiche, appuyer sur **ESC**.
- Si le récipient à lait ne se nettoie pas, le symbole (icône de nettoyage du récipient à lait) s'affiche à l'écran pour rappeler que le récipient doit être nettoyé.
- Dans certains cas, l'appareil a besoin d'une courte période de chauffage pour pouvoir effectuer le nettoyage.

# DÉPANNAGE

Essayez d'abord les solutions suggérées ici. Pour obtenir de l'aide ou des recommandations supplémentaires pour éviter un appel de service, consultez la garantie ou visiter <https://producthelp.jennair.com>. Au Canada, visitez le [www.jennair.ca](http://www.jennair.ca).

Il est possible d'adresser ses commentaires ou questions par courrier à l'adresse suivante :

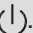
Aux États-Unis :

JennAir Brand Home Appliances  
Customer eXperience Center  
553 Benson Road  
Benton Harbor, MI 49022-2692

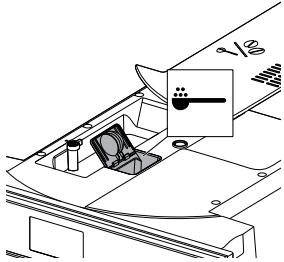
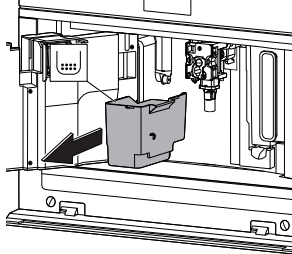

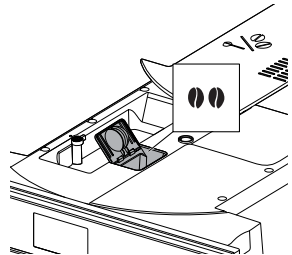
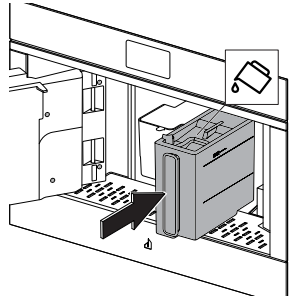
Au Canada :

JennAir Brand Home Appliances  
Customer eXperience Centre  
200 – 6750 Century Ave.  
Mississauga, Ontario L5N 0B7




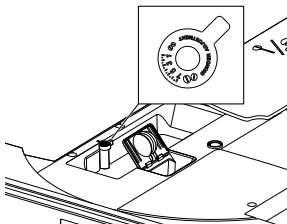
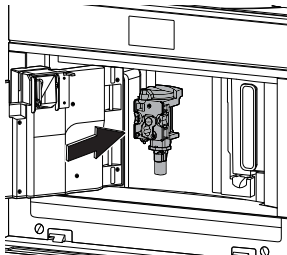
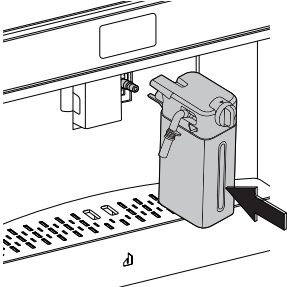
Veuillez indiquer dans votre correspondance un numéro de téléphone où l'on peut vous joindre dans la journée.

PROBLÈME	CAUSE POSSIBLE	SOLUTION
<b>Le café n'est pas chaud</b>	La tasse n'a pas été préchauffée.	Chauffer les tasses en les passant à l'eau chaude.
	L'infuseur s'est refroidi puisqu'il s'est passé 2 à 3 minutes depuis la dernière préparation.	Avant de préparer un café, faire chauffer l'infuseur en sélectionnant la fonction de rinçage dans le menu.
	L'appareil est réglé à une basse température de café.	Modifier la température réglée. Voir le point « Température du café » dans la section « Réglages ».
<b>Le café n'est pas suffisamment intense ou crémeux</b>	Le café est moulu trop grossièrement.	Tourner le réglage de mouture d'un clic dans le sens antihoraire vers le numéro un pendant que le moulin fonctionne. Faire tourner d'un clic à la fois jusqu'à ce que le café soit à votre goût. L'effet ne sera perceptible qu'après avoir servi deux cafés.
	Le mélange de café ne convient pas.	Utiliser un mélange de café spécial pour machines à café expresso.
<b>Le café coule trop lentement ou une goutte à la fois</b>	Le café est moulu trop finement.	Tourner le réglage de mouture d'un clic dans le sens horaire vers le numéro sept pendant que le moulin fonctionne. Faire tourner d'un clic à la fois jusqu'à ce que le café soit à votre goût. L'effet ne sera perceptible qu'après avoir servi deux cafés.
<b>L'appareil ne se met pas en marche</b>	L'interrupteur n'est pas en position de marche.	Appuyer sur l'interrupteur principal pour le mettre à ON (marche).
<b>Le lait ne coule pas du bec verseur de lait</b>	Le couvercle du récipient à lait est sale.	Nettoyer le couvercle du récipient à lait comme indiqué dans la section « Nettoyer le récipient à lait ».
<b>Impossible d'extraire l'infuseur</b>	L'appareil n'a pas été bien éteint.	Éteindre l'appareil en appuyant sur le bouton  .
<b>Le récipient à lait contient de grosses bulles, éclaboussures de lait par le bec ou faible production de mousse</b>	Le lait n'est pas suffisamment froid ou il ne s'agit pas de lait écrémé ou partiellement écrémé.	Utiliser un lait écrémé ou partiellement écrémé à température du réfrigérateur 5 °C (41 °F). Si le résultat n'est toujours pas satisfaisant, essayer de changer de marque de lait.
	La commande de réglage de moussage n'est pas à la bonne position.	Régler en suivant les instructions de la section « Réglage de la quantité de mousse ».
	Le couvercle du récipient à lait ou la commande de réglage de moussage est sale.	Nettoyer le couvercle du récipient à lait et la commande de réglage de moussage comme indiqué dans la section « Nettoyer le récipient à lait ».
	L'embout de connexion d'eau chaude/de vapeur est sale.	Nettoyer l'embout de connexion comme décrit dans la section « Nettoyer l'embout de connexion d'eau chaude/de vapeur ».
<b>Une fois le détartrage terminé, l'appareil demande un troisième rinçage</b>	Pendant les deux programmes de rinçage, le réservoir d'eau n'a pas été rempli jusqu'à la ligne MAX.	Suivre les instructions affichées par l'appareil. Commencer par vider le plateau d'égouttement pour éviter un reversement de liquide.
<b>La machine produit un bruit ou de petites bouffées de vapeur lorsqu'elle n'est pas utilisée</b>	La machine est prête à l'utilisation ou a récemment été éteinte et de la condensation dégoutte sur le vaporisateur qui est toujours chaud.	Ce phénomène fait partie du fonctionnement normal. Pour limiter ce phénomène, vider le plateau d'égouttement.

## Messages affichés

MESSAGE AFFICHÉ	CAUSE POSSIBLE	SOLUTION
<p><b>ADD PRE-GROUND COFFEE, PRE-GROUND MAXIMUM ONE MEASURING CUP (ajouter du café déjà moulu, la quantité maximum de café déjà moulu est d'une tasse)</b></p>  <p>ESC</p>	<p>La fonction « Café déjà moulu » a été sélectionnée, mais sans que du café déjà moulu ait été placé dans l'entonnoir.</p> <p>L'entonnoir pour café déjà moulu est obstrué.</p> <p>Une « grande » tasse de café avec du café déjà moulu a été demandé.</p>	<p>Placer le café déjà moulu dans l'entonnoir et répéter l'opération.</p> <p>Vider l'entonnoir en utilisant la brosse incluse, comme décrit dans la section « Nettoyer l'entonnoir pour café déjà moulu ».</p> <p>Placer le café déjà moulu dans l'entonnoir et appuyer sur ✓ OK pour continuer et obtenir la quantité souhaitée.</p>
<p><b>EMPTY GROUND CONTAINER (vider le récipient à grains de café)</b></p> 	<p>Le récipient à grains de café est plein.</p>	<p>Vider le récipient à grains de café et le plateau d'égouttement, les nettoyer et les remettre en place.</p> <p><b>IMPORTANT :</b> Le récipient à grains de café doit toujours être vidé lorsque le plateau d'égouttement est enlevé, même s'il contient peu de grains. Si ce n'est pas fait avant la prochaine préparation de café, le récipient de grains de café pourrait remplir plus que ce qui est attendu et bloquer la machine.</p>
<p><b>DESCALING NEEDED, PRESS OK TO START (détartrage requis, appuyer sur OK pour commencer) (~45 min)</b></p>  <p>ESC ✓ OK</p>	<p>Indique qu'un détartrage est requis.</p>	<p>Appuyer sur ✓ OK pour lancer le détartrage ou appuyer sur ESC pour reporter le détartrage. La procédure de détartrage décrite dans la section « Détartrage » doit être effectuée.</p>
<p><b>FILL BEAN CONTAINER (remplir le récipient à grains de café)</b></p> 	<p>Il n'y a plus de grains de café.</p>	<p>Remplir le récipient à grains de café.</p>
<p><b>FILL WATER TANK WITH FRESH WATER (remplir le réservoir d'eau fraîche)</b></p> 	<p>Le réservoir d'eau est vide ou mal positionné.</p>	<p>Remplir le réservoir d'eau fraîche et le placer correctement en le poussant aussi loin qu'il peut aller et jusqu'à ce qu'il se fixe en place.</p>



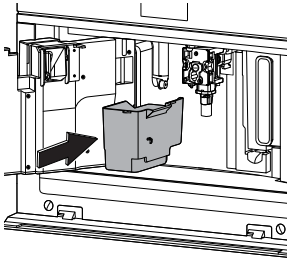
MESSAGE AFFICHÉ	CAUSE POSSIBLE	SOLUTION
<p><b>GENERAL ALARM: REFER TO USER MANUAL</b> (alarme générale : consulter les instructions d'utilisation)</p> 	L'intérieur de la machine à espresso est très sale.	Bien nettoyer l'intérieur de l'appareil, comme décrit dans la section « Nettoyage ». Si le message s'affiche toujours après le nettoyage, communiquer avec un service à la clientèle autorisé.
<p><b>SELECT A Milder TASTE OR REDUCE PRE-GROUND COFFEE QUANTITY</b> (sélectionner une moins grande intensité ou réduire la quantité de café déjà moulu)</p>  <p>← ESC</p>	Trop de café a été utilisé.	Sélectionner un goût moins intense en appuyant sur  ou réduire la quantité de café déjà moulu (une mesure maximum).
<p><b>GROUND TOO FINE. ADJUST GRIND LEVEL 1 CLICK WHILE IN OPERATION</b> (Mouture trop fine. Régler la mouture d'un clic pendant le fonctionnement)</p> 	La mouture est trop fine et le café est versé trop lentement ou aucun café n'est versé.	Répéter la procédure de préparation et tourner le réglage de mouture d'un clic dans le sens horaire vers le numéro sept pendant que le moulin fonctionne. Si après la préparation d'au moins deux tasses de café l'appareil verse toujours trop lentement, répéter correctement la procédure en tournant le réglage de mouture d'un autre clic. Si le problème persiste, s'assurer que le réservoir d'eau est bien positionné.
<p><b>INSERT BREWING UNIT</b> (insérer l'outil d'infusion)</p> 	Après le nettoyage, l'infuseur n'a pas été remis en place.	Insérer l'infuseur en suivant les instructions de la section « Nettoyer l'infuseur ».
<p><b>INSERT MILK CONTAINER</b> (insérer le récipient à lait)</p> 	Le récipient à lait n'est pas bien inséré.	Insérer le récipient à lait aussi loin que possible.

**MESSAGE AFFICHÉ****CAUSE POSSIBLE****SOLUTION**

**INSERT GROUND CONTAINER AND DRIP TRAY (insérer le récipient à grains de café et le plateau d'égouttement)**

Après le nettoyage, le récipient à grains de café n'a pas été remis en place.

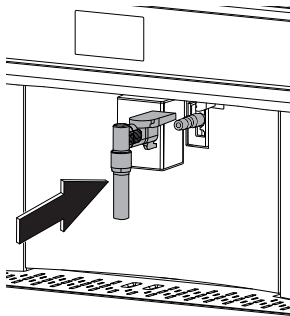
Retirer le plateau d'égouttement et insérer le récipient à grains de café.



**INSERT WATER OUTLET (insérer la sortie d'eau)**

Le bec verseur d'eau chaude n'est pas inséré ou est inséré de façon incorrecte.

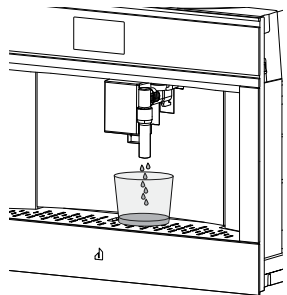
Insérer le bec verseur d'eau aussi loin que possible.



**WATER CIRCUIT EMPTY PRESS OK TO START FILLING PROCESS (circuit d'eau vide, appuyer sur OK pour lancer le processus de remplissage)**

Le circuit d'eau est vide.

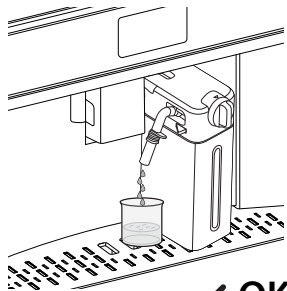
Appuyer sur **✓ OK** et laisser l'eau fraîche couler du bec; l'eau cessera automatiquement de couler par elle-même. Si le problème persiste, s'assurer que le réservoir d'eau est bien positionné.

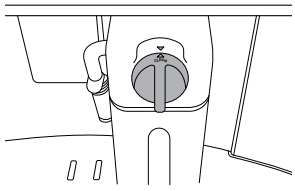

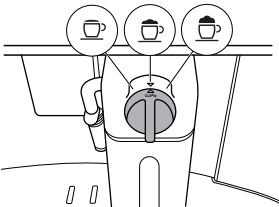







**PRESS OK TO START CLEANING PROCESS OR TURN MILK FROTH ADJUSTMENT KNOB (appuyer sur OK pour lancer le nettoyage ou tourner le bouton de réglage de moussage du lait)**

Le récipient à lait a été inséré, mais la commande de moussage est à la position CLEAN (nettoyage).

Pour continuer avec la fonction de nettoyage, appuyer sur **✓ OK** ou tourner le réglage de moussage sur l'une des positions pour le lait.



MESSAGE AFFICHÉ	CAUSE POSSIBLE	SOLUTION
<p><b>TURN THE MILK FROTH ADJUSTMENT KNOB TO START CLEANING (tourner le bouton de réglage de moussage du lait pour commencer le nettoyage)</b></p>  <p> <b>ESC</b></p>	<p>Du lait a récemment été distribué et le tube à l'intérieur du récipient de lait doit être nettoyé.</p>	<p>Placer la commande de moussage sur CLEAN (nettoyage).</p>
<p><b>TURN THE MILK FROTH ADJUSTMENT KNOB TO MILK POSITION (tourner le bouton de réglage de moussage du lait sur la position lait)</b></p> 	<p>Le récipient à lait a été inséré, mais la commande de moussage est à la position CLEAN (nettoyage).</p>	<p>Tourner la commande à la position souhaitée.</p>
	<p>Rappel que l'appareil doit être détartré ou que le filtre doit être remplacé. <b>REMARQUE :</b> Filtre à eau non offert sur ce modèle.</p>	<p>La procédure de détartrage décrite dans la section « Détartrage » doit être effectuée aussi rapidement que possible.</p>
	<p>Rappel que les tubes internes du récipient à lait doivent être nettoyés.</p>	<p>Placer la commande de moussage sur CLEAN (nettoyage).</p>
	<p>Rappel que la machine doit être détartrée.</p>	<p>La procédure de détartrage décrite dans la section « Détartrage » doit être effectuée aussi rapidement que possible.</p>
	<p>Indique que la fonction de mise en marche automatique est activée.</p>	<p>Pour désactiver la fonction, effectuer la procédure de la section « Mise en marche automatique ».</p>
	<p>Le mode d'économie d'énergie est activé.</p>	<p>Pour désactiver le mode, effectuer la procédure de la section « Économie d'énergie ».</p>

# ASSISTANCE OU DÉPANNAGE

## Si vous avez besoin de service

Consultez la page de garantie du présent manuel.

## Si vous avez besoin de pièces de rechange

Pour commander des pièces de rechange, nous vous recommandons d'utiliser seulement des pièces spécifiées par l'usine. Les pièces de rechange spécifiées par l'usine conviendront et fonctionneront bien parce qu'elles sont fabriquées selon la même précision que celle utilisée pour fabriquer chaque nouvel appareil JennAir®.

Pour savoir où trouver des pièces spécifiées par l'usine dans votre région, nous appelons ou contactons le centre de service désigné par JennAir le plus proche.

## Aux É.-U.

Appelez sans frais au Centre pour l'expérience à la clientèle au : **1 800 JENNAIR (1 800 536-6247)**.

## Nos conseillers peuvent vous aider sur les points suivants :

- Caractéristiques et spécifications de notre gamme complète d'appareils ménagers.
- Renseignements sur l'installation.
- Procédures d'utilisation et d'entretien.
- Vente de pièces de rechange.
- Assistance spécialisée au client (langue espagnole, malentendants, malvoyants, etc.).
- Orientation vers des concessionnaires, compagnies de service de réparation et distributeurs de pièces de rechange locaux. Les techniciens de service désignés par JennAir sont formés pour remplir la garantie des produits et fournir un service après garantie partout aux États-Unis.

Pour localiser la compagnie de service désignée par JennAir dans votre région, vous pouvez également consulter les Pages jaunes.

## Pour plus d'assistance

Si vous avez besoin de plus d'assistance, vous pouvez soumettre par écrit toute question ou préoccupation à l'adresse suivante :

JennAir Brand Home Appliances  
Customer eXperience Center  
553 Benson Road  
Benton Harbor, MI 49022-2692

Veillez indiquer dans votre correspondance un numéro de téléphone où l'on peut vous joindre dans la journée.

## Au Canada

Appelez sans frais le Centre eXpérience à la clientèle canadienne de JennAir au : **1 800 JENNAIR (1 800 536-6247)**.

## Nos conseillers peuvent vous aider sur les points suivants :

- Procédures d'utilisation et d'entretien.
- Vente de pièces de rechange.
- Orientation vers des concessionnaires, compagnies de service de réparation et distributeurs de pièces de rechange locaux. Les techniciens de service désignés de JennAir sont formés pour remplir la garantie des produits et fournir un service après la garantie, partout au Canada.

## Pour plus d'assistance

Si vous avez besoin de plus d'assistance, vous pouvez soumettre par écrit toute question ou préoccupation à l'adresse suivante :

JennAir Brand Home Appliances  
Customer eXperience Centre  
200— 6750 Century Ave.  
Mississauga, ON L5N 0B7

Veillez indiquer dans votre correspondance un numéro de téléphone où l'on peut vous joindre dans la journée.

# GARANTIE LIMITÉE DES APPAREILS DE CUISSON JENNAIR®

ATTACHEZ ICI VOTRE REÇU DE VENTE. UNE PREUVE D'ACHAT EST OBLIGATOIRE POUR OBTENIR L'APPLICATION DE LA GARANTIE.

Lorsque vous appelez le centre d'expérience de la clientèle, veuillez garder à disposition les renseignements suivants :

- Nom, adresse et numéro de téléphone
- Numéros de modèle et de série
- Une description claire et détaillée du problème rencontré
- Une preuve d'achat incluant le nom et l'adresse du marchand ou du détaillant

## SI VOUS AVEZ BESOIN DE SERVICE :

1. Avant de nous contacter pour obtenir un dépannage, veuillez déterminer si des réparations sont nécessaires pour votre produit. Certains problèmes peuvent être résolus sans intervention de dépannage. Prenez quelques minutes pour parcourir la section Dépannage ou Résolution de problèmes du guide d'utilisation et d'entretien, ou rendez-vous sur le site <https://www.jennair.ca>.
2. Tout service sous garantie doit être effectué exclusivement par nos fournisseurs de dépannage autorisés JennAir. Aux É.-U. et au Canada, dirigez toutes vos demandes de service sous garantie au

**Centre d'expérience de la clientèle JennAir**  
**1-800-JENNAIR (1-800-536-6247).**

Si vous résidez à l'extérieur du Canada et des 50 États des États-Unis, contactez votre marchand JennAir autorisé pour déterminer si une autre garantie s'applique.

## GARANTIE LIMITÉE DE CINQ ANS

### CE QUI EST COUVERT

#### GARANTIE LIMITÉE DE DEUX ANS (PIÈCES ET MAIN-D'OEUVRE)

Pendant deux ans à compter de la date d'achat, lorsque ce gros appareil ménager est installé, utilisé et entretenu conformément aux instructions jointes au produit ou fournies avec, la marque JennAir de Whirlpool Corporation ou Whirlpool Canada, LP (ci-après désignées "JennAir") paiera pour les pièces de rechange spécifiées par l'usine et pour la main-d'œuvre pour corriger les vices de matériaux ou de fabrication qui existaient déjà lorsque ce gros appareil ménager a été acheté. S'il est remplacé, l'appareil sera couvert pour la période restant à courir de la garantie limitée d'un an du produit d'origine.

#### GARANTIE LIMITÉE DE LA TROISIÈME À LA CINQUIÈME ANNÉE (CERTAINS COMPOSANTS UNIQUEMENT - MAIN-D'OEUVRE NON COMPRISE)

De la troisième à la cinquième année inclusivement à compter de la date d'achat initiale, lorsque ce gros appareil ménager est installé, utilisé et entretenu conformément aux instructions jointes au produit ou fournies avec, JennAir paiera pour les pièces de rechange spécifiées par l'usine concernant les composants suivants pour corriger les défauts non esthétiques de matériau ou de fabrication desdites pièces qui empêchent le gros appareil de fonctionner et qui étaient déjà présentes lorsque ce gros appareil ménager a été acheté. La présente garantie est une garantie limitée de 5 ans sur les pièces énumérées ci-dessous et elle ne comprend pas la main-d'œuvre de réparation.

- Élément électrique
- Clavier tactile et microprocesseur
- Table de cuisson en vitrocéramique : en cas de bris d'origine thermique
- Commandes électroniques
- Tube magnétron
- Brûleurs à gaz scellés

LE SEUL ET EXCLUSIF RECOURS DU CLIENT DANS LE CADRE DE LA PRÉSENTE GARANTIE LIMITÉE CONSISTE EN LA RÉPARATION PRÉVUE PAR LA PRÉSENTE. Le service doit être fourni par une compagnie de service désignée par JennAir. Cette garantie limitée est valide uniquement aux États-Unis ou au Canada et s'applique exclusivement lorsque le gros appareil ménager est utilisé dans le pays où il a été acheté. La présente garantie limitée est valable à compter de la date d'achat initial par le consommateur. Une preuve de la date d'achat initial est exigée pour obtenir un dépannage dans le cadre de la présente garantie limitée.

### CE QUI N'EST PAS COUVERT

1. Usage commercial, non résidentiel ou par plusieurs familles, ou non-respect des instructions de l'utilisateur, de l'opérateur ou des instructions d'installation.
2. Visite d'instruction à domicile pour montrer à l'utilisateur comment utiliser l'appareil.
3. Visites de service pour rectifier une installation ou un entretien fautifs du produit, une installation non conforme aux codes d'électricité ou de plomberie, ou la rectification de l'installation électrique ou de la plomberie du domicile (ex : câblage électrique, fusibles ou tuyaux d'arrivée d'eau du domicile).
4. Pièces consommables (ex : ampoules, batteries, filtres à air ou à eau, solutions de conservation, etc.).
5. Défauts ou dommage résultant de l'utilisation de pièces ou accessoires JennAir non authentiques.
6. Conversion de votre produit du gaz naturel ou du gaz de propane.
7. Dommages causés par : accident, mésusage, abus, incendie, inondations, catastrophe naturelle ou l'utilisation de produits non approuvés par JennAir.
8. Réparations aux pièces ou systèmes dans le but de rectifier un dommage ou des défauts résultant d'une réparation, altération ou modification non autorisée faite à l'appareil.
9. Défauts d'apparence, notamment les éraflures, traces de choc, fissures ou tout autre dommage causés au fini de l'appareil ménager, à moins que ces dommages ne résultent de vices de matériaux ou de fabrication et ne soient signalés à JennAir dans les 30 jours suivant la date d'achat.
10. Décoloration, rouille ou oxydation des surfaces résultant d'environnements caustiques ou corrosifs incluant des concentrations élevées de sel, un haut degré d'humidité ou une exposition à des produits chimiques.
11. Perte d'aliments ou de médicaments due à la défaillance du produit.
12. Enlèvement ou livraison. Ce produit est conçu pour être réparé au domicile.
13. Frais de déplacement et de transport pour le dépannage/la réparation dans une région éloignée où une compagnie de service JennAir autorisée n'est pas disponible.
14. Retrait ou réinstallation d'appareils inaccessibles ou de dispositifs préinstallés (ex : garnitures, panneaux décoratifs, plancher, meubles, îlots de cuisine, plans de travail, panneaux de gypse, etc.) qui entravent le dépannage, le retrait ou le remplacement du produit.
15. Service et pièces pour des appareils dont les numéros de série et de modèle originaux ont été enlevés, modifiés ou ne peuvent pas être facilement identifiés.

**Le coût d'une réparation ou d'un remplacement dans le cadre de ces circonstances exclues est à la charge du client.**

---

**CLAUSE D'EXONÉRATION DE RESPONSABILITÉ AU TITRE DES GARANTIES IMPLICITES**

LES GARANTIES IMPLICITES, Y COMPRIS LES GARANTIES APPLICABLES DE QUALITÉ MARCHANDE OU D'APTITUDE À UN USAGE PARTICULIER, SONT LIMITÉES À UN AN OU À LA PLUS COURTE PÉRIODE AUTORISÉE PAR LA LOI. Certains États et provinces ne permettent pas de limitation sur la durée des garanties implicites de qualité marchande ou d'aptitude à un usage particulier, de sorte que la limitation ci-dessus peut ne pas être applicable dans votre cas. Cette garantie vous confère des droits juridiques spécifiques et vous pouvez également jouir d'autres droits qui peuvent varier d'une juridiction à l'autre.

---

**EXONÉRATION DE RESPONSABILITÉ DANS LES DOMAINES NON COUVERTS PAR LA GARANTIE**

JennAir décline toute responsabilité au titre de la qualité, de la durabilité ou en cas de dépannage ou de réparation nécessaire sur ce gros appareil ménager autre que les responsabilités énoncées dans la présente garantie. Si vous souhaitez une garantie plus étendue ou plus complète que la garantie limitée fournie avec ce gros appareil ménager, adressez-vous à JennAir ou à votre détaillant pour obtenir les modalités d'achat d'une garantie étendue.

---

**LIMITATION DES RECOURS; EXCLUSION DES DOMMAGES FORTUITS OU INDIRECTS**

LE SEUL ET EXCLUSIF RECOURS DU CLIENT DANS LE CADRE DE LA PRÉSENTE GARANTIE LIMITÉE CONSISTE EN LA RÉPARATION PRÉVUE PAR LA PRÉSENTE. JENNAIR N'ASSUME AUCUNE RESPONSABILITÉ POUR LES DOMMAGES FORTUITS OU INDIRECTS. Certains États et certaines provinces ne permettent pas l'exclusion ou la limitation des dommages fortuits ou indirects de sorte que ces limitations et exclusions peuvent ne pas être applicables dans votre cas. Cette garantie vous confère des droits juridiques spécifiques et vous pouvez également jouir d'autres droits qui peuvent varier d'une juridiction à l'autre.

---

12/14

---

## Remarques

