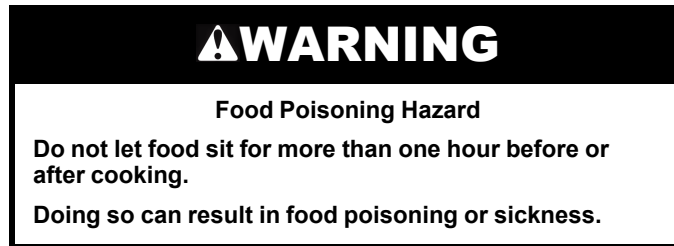


Dual Fuel Downdraft Range Control Guide

FEATURE GUIDE

WARNING: To reduce the risk of fire, electric shock, or injury to persons, read the IMPORTANT SAFETY INSTRUCTIONS, located in your appliance's Owner's Manual, before operating this appliance.

This manual covers several models. Your model may have some or all of the items listed. Refer to this manual or the Product Help section of our website at www.jennair.com for more detailed instructions. In Canada, refer to the Product Help Section at www.jennair.ca.



KEYPAD	FEATURE	INSTRUCTIONS
Options/Clock	Clock	The Clock can use a 12- or 24-hour cycle. See the “Electronic Oven Controls” section. <ol style="list-style-type: none"> 1. Press Options/Clock until “CLOCK” is displayed. 2. Press START to change the time. 3. Press “3” for AM or “6” for PM. 4. Use the number keypads to set the time of day. 5. Press START to exit.
Options/Clock	Settings	Enables you to personalize the audible tones and oven operation to suit your needs. See the “Electronic Oven Controls” section.
Light	Oven cavity light	The oven light is controlled by a keypad on the oven control panel. While the oven door is closed, press Light to turn the light on and off. When the oven door is opened, the oven light will automatically come on.
Timer Set/OFF	Oven timer	The Timer can be set in hours or minutes up to 9 hours and 59 minutes. <ol style="list-style-type: none"> 1. Press Timer Set/OFF. 2. Press the number keypads to set the length of time in hour-minute. Leading zeros do not have to be entered. For example, for 2 minutes, enter “2.” 3. Press Timer Set/OFF to begin the countdown. If enabled, end-of-cycle tones will sound at end of countdown. 4. Press Timer Set/OFF again to cancel the Timer and return to the time of day. Do not press the CANCEL keypad because the oven will turn off. 5. If the Timer is running, but not in the display, press Timer Set/OFF to display the countdown for 5 seconds.
START	Cooking start	The START keypad begins any oven function. If START is not pressed within 2 minutes after pressing a keypad, the function is canceled and the time of day is displayed.
CANCEL	Range function	The CANCEL keypad stops any function, except the Clock and Timer.
Bake	Baking and roasting	<ol style="list-style-type: none"> 1. Press Bake. 2. Press the number keypads to set the desired temperature. If the temperature entered is not in the range of the temperatures allowed, the minimum or maximum allowed temperature will be displayed. Enter a temperature in the allowable range. 3. Press START. 4. To change the temperature, repeat steps 2 and 3. 5. Press CANCEL when finished.

KEYPAD	FEATURE	INSTRUCTIONS
Broil	Broiling	<ol style="list-style-type: none"> 1. Press Broil. 2. Press the number keypads to set the desired temperature. If the temperature entered is not in the range of the temperatures allowed, the minimum or maximum allowed temperature will be displayed. Enter a temperature in the allowable range. 3. Press START and allow the oven to preheat for 2 minutes. 4. To change the temperature, repeat steps 2 and 3. 5. Position the cookware in the oven, and then close the door. 6. Press CANCEL when finished.
Keep Warm	Hold warm	<p>Food must be at serving temperature before placing it in the warmed oven.</p> <ol style="list-style-type: none"> 1. Press Keep Warm. 2. Press the number keypads to set the desired temperature. If the temperature entered is not in the range of the temperatures allowed, the minimum or maximum allowed temperature will be displayed. Enter a temperature in the allowable range. 3. Press START. 4. Press CANCEL when finished.
Manual Convection Modes	Convection cooking	<ol style="list-style-type: none"> 1. Press Manual Convection Modes until the desired convection mode appears in the display. 2. Press START. 3. Press the number keypads to set the desired temperature. If the temperature entered is not in the range of the temperatures allowed, the minimum or maximum allowed temperature will be displayed. Enter a temperature in the allowable range. 4. Press START. 5. Insert food when prompted. 6. To change the temperature, repeat steps 3 and 4. 7. Press CANCEL when finished.
Auto Convection Modes	Convection cooking	<ol style="list-style-type: none"> 1. Press Auto Convection Modes until the desired convection mode appears in the display. 2. Press START. 3. Press the number keypads to set the desired temperature. If the temperature entered is not in the range of the temperatures allowed, the minimum or maximum allowed temperature will be displayed. Enter a temperature in the allowable range. 4. Press START. 5. Press the number keypads to set the desired cook time. 6. Press START. 7. Insert food when prompted. 8. To change the temperature, repeat steps 3 through 6. 9. Press CANCEL when finished.
Favorite	Saved favorite	<p>The Favorite keypad stores the oven mode, cook time, and temperature for your favorite recipe. To save or use favorite, see the "Favorite" section.</p>
Cook Time	Timed cooking	<p>Timed cooking allows the oven to be set to turn on at a certain time of day, cook for a set length of time, and/or shut off automatically.</p> <p>To set a Timed Cook or a Delayed Timed Cook, see the "Cook Time" section.</p>
Delay Start	Delayed start	<p>The Delay Start keypad is used to enter the starting time for an oven function with a delayed start. Delay Start should not be used for foods such as breads and cakes because they may not bake properly.</p> <p>To set a Timed Cook or a Delayed Timed Cook, see the "Cook Time" section.</p>
AquaLift Self Clean	Clean cycle	<p>See the "Clean Cycle" section.</p>
Downdraft Fan High/Low/Auto OFF/OFF	Downdraft fan	<p>Press Downdraft Fan High or Downdraft Fan Low to turn on the Downdraft Fan at the desired speed.</p> <p>Press Downdraft Fan OFF to turn off the Downdraft Fan immediately.</p> <p>Press Downdraft Fan Auto OFF to automatically turn off the Downdraft Fan after a set time. To add 15 minutes to the set time, up to 1 hour, press Downdraft Fan Auto OFF again.</p> <p>If the Downdraft Fan is OFF, pressing Downdraft Fan Auto OFF will turn the Downdraft Fan on at High speed. If the Downdraft Fan is already ON, pressing Downdraft Fan Auto OFF will not change the Downdraft Fan speed.</p>

KEYPAD	FEATURE	INSTRUCTIONS
START (Hold for 3 Sec to Lock)	Oven control lockout	<ol style="list-style-type: none"> 1. Check that the oven is OFF. 2. Press and hold START (Hold for 3 Sec to Lock) for 3 seconds. 3. A tone will sound, and "Control Locked" will scroll, and then "Locked" will be displayed. 4. Repeat to unlock. No keypads will function with the controls locked. The cooktop functions are not affected by the oven control lockout.
Options/Clock	Energy save	<p>Press and hold OPTIONS/CLOCK for 3 seconds to change status. The display will scroll "Energy saver on." or "Energy saver off."</p> <p>If Energy Save is on, the range will go into sleep mode after 5 minutes of inactivity. Any keypad press will activate the display. If Energy Save is off, the display will be on at all times.</p>
Air Fry	Air frying	<ol style="list-style-type: none"> 1. Press Air Fry. 2. Enter desired temperature using the number keypad. A tone will sound if the temperature entered is too low or too high. 3. Press the START keypad. There is no preheat or preheat tone. 4. To change the temperature, repeat Step 2. Press the START keypad. 5. Press the Cancel keypad when finished. <p>NOTE: The convection fan and elements will shut off when the oven door is opened. If the oven door remains open for too long, the heating elements will shut off until the oven door is closed. All timers, including any active Cook Time or Timed Cook functions, will continue to count down.</p>

AquaLift® Self-Cleaning Technology



AquaLift® Self-Cleaning Technology is a first-of-its-kind cleaning solution designed to minimize the time, temperature, and odors that ordinarily come with traditional self-cleaning methods. With AquaLift® Self-Cleaning Technology, an innovative coating on the interior of the oven is activated with heat and water to release baked-on soil. To use AquaLift® Self-Cleaning Technology, simply wipe out loose debris, pour water into the oven bottom, and run the AquaLift® Self-Cleaning cycle. When the cycle finishes in under 1 hour at a lower temperature than in traditional self-cleaning methods, just wipe out the remaining water and loose debris. See the "Clean Cycle" section for more detailed instructions. For additional information, frequently asked questions and videos on using AquaLift® Self-Cleaning Technology, visit our website at <http://whirlpoolcorp.com/aqualift>.

Surface Temperature

When the range is in use, all range surfaces may become hot, such as the knobs and oven door.

Warming Drawer, Storage Drawer, or Baking Drawer (On Some Models)

When the oven is in use, the drawer may become hot. Do not store plastics, cloth, or other items that could melt or burn in the drawer.

Oven Vent

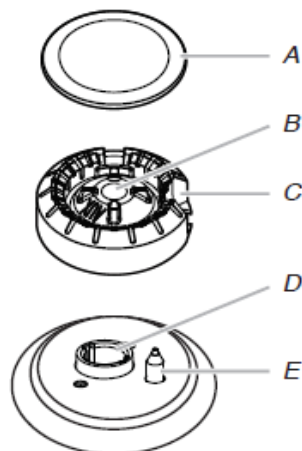
The oven vent releases hot air and moisture from the oven, and should not be blocked or covered. Do not set plastics, paper or other items that could melt or burn near the oven vent.

Surface Burners

IMPORTANT: Do not obstruct the flow of combustion and ventilation air around the burner grate edges.

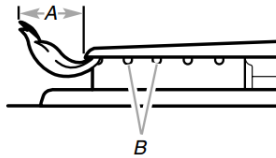
Burner cap: Always keep the burner cap in place when using a surface burner. A clean burner cap will help avoid poor ignition and uneven flames. Always clean the burner cap after a spillover and routinely remove and clean the caps according to the "General Cleaning" section in the Owner's Manual.

Alignment: Be sure to align the gas tube opening in the burner base with the orifice holder on the cooktop and the igniter electrode with the notch in the burner base.



- A. Burner cap
- B. Gas tube opening
- C. Burner base
- D. Orifice holder
- E. Igniter electrode

Gas tube opening: Gas must flow freely throughout the gas tube opening for the burner to light properly. Keep this area free of soil and do not allow spills, food, cleaning agents, or any other material to enter the gas tube opening. Keep spillovers out of the gas tube opening by always using a burner cap.



A. 1-1 1/2" (2.5-3.8 cm)

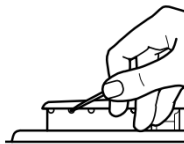
B. Burner ports

Burner Ports: Check burner flames occasionally for proper size and shape as shown in the previous illustration. A good flame is blue in color, not yellow. Keep this area free of soil and do not allow spills, food, cleaning agents, or any other material to enter the burner ports.

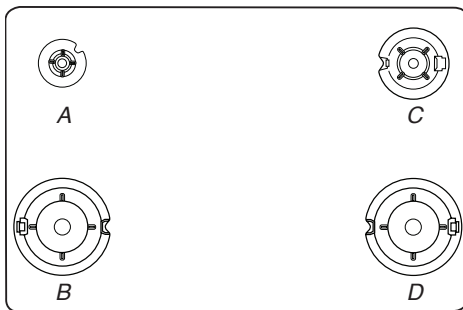
To Clean:

IMPORTANT: Before cleaning, make sure all controls are off and the cooktop is cool. Do not use oven cleaners, bleach or rust removers. Do not wash in the dishwasher.

1. Remove the burner cap from the burner base and clean according to "General Cleaning" section in the Owner's Manual.
2. Clean the gas tube opening with a damp cloth.
3. Clean clogged burner ports with a straight pin as shown. Do not enlarge or distort the port. Do not use a wooden toothpick. If the burner needs to be adjusted, contact a trained repair specialist.



4. Replace the burner base. The burner bases and caps must be properly positioned before cooking. Each round burner base is marked with a letter indicating the burner size. See the following illustration for burner positions:



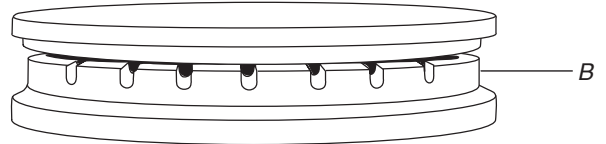
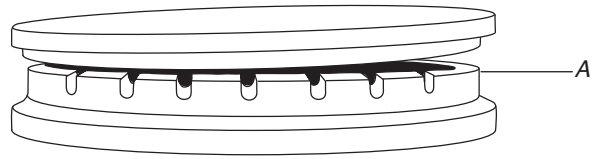
A. Small (Auxiliary)

B. Large (Ultra Rapid)

C. Medium (Semi rapid)

D. Large (Ultra Rapid)

5. Replace the burner cap, making sure it is properly aligned with the burner base. Burner caps should be level when properly positioned. If burner caps are not properly positioned, surface burners will not light. The burner cap should not rock or wobble when properly aligned.



A. Incorrect

B. Correct

IMPORTANT: The bottom of the small and medium caps are different. Do not put the wrong size burner cap on the burner base.



Small cap (Auxiliary)

Medium cap (Semi Rapid)

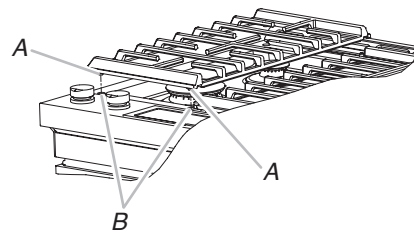
Large cap (Ultra Rapid)

6. Turn on the burner. If the burner does not light, check cap alignment. If the burner still does not light, turn off the burner. Do not service the burner yourself. Contact a trained repair specialist.

Surface Grates

The grates must be properly positioned before cooking. In the proper position, the grates should be flush and level. Improper installation of the grates may result in chipping or scratching of the cooktop.

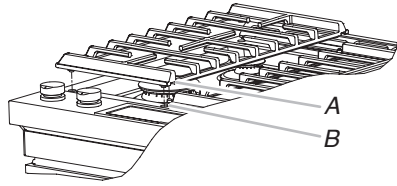
To ensure proper positioning, align bumpers on grate bottom with the indentations in the cooktop.



A. Bumpers

B. Alignment indentations

The surface grates interlock using the hooks on the middle grate and the indents on the end grates. To remove the grates, remove the end grates first, and then remove the middle grate. To replace the grates, replace the middle grate first, and then place the end grates on either side.



A. Indent
B. Hook

Although the burner grates are durable, they will gradually lose their shine and/or discolor due to the high temperatures of the gas flame.

Electronic Oven Controls

Control Display

The display will flash when powered up or after a power loss. Press CANCEL to clear. When the oven is not in use, the time of day is displayed. If the range is in Energy Save mode, the display will be blank when not in use.

Tones

Tones are audible signals, indicating the following:

One Tone

- Valid keypad press
- Oven is preheated (long tone).
- Function has been entered.
- Reminder, repeating each minute after the end-of-cycle tones

Three Tones

- Invalid keypad press

Four Tones

- End of cycle

Use the Options/Clock keypad to change the tone settings.

Energy Save

The Energy Save mode puts the range into Sleep mode and reduces energy consumption.

To Activate the Energy Save Mode:

1. Press and hold Options/Clock for 3 seconds. "Energy saver on." will appear in the display.
2. The setting will be activated after 5 minutes.

To Deactivate the Energy Save Mode:

1. Press and hold Options/Clock for 3 seconds. "Energy saver off." will appear in the display.
2. The clock will reappear in the display, and the range can be operated as usual.

Settings

Many features of the oven control can be adjusted to meet your personal needs. These changes are made using the Options/Clock keypad.

Use the Options/Clock keypad to scroll through the features that can be changed. Each press of the Options/Clock keypad will advance the display to the next setting. After selecting the feature to be changed, the control will prompt you for the required input. Then press START or CANCEL to exit and display the time of day. Details of all of the feature changes are explained in the following sections.

Press CANCEL to exit Settings.

Clock

The Clock can use a 12- or 24-hour cycle.

1. Press Options/Clock until "CLOCK" is displayed.
2. Press START to change the time.
3. Press "3" for AM or "6" for PM.
4. Use the number keypads to set the time of day.
5. Press START or CANCEL to exit and display the time of day.

Fahrenheit and Celsius

The temperature is preset to Fahrenheit but can be changed to Celsius.

1. Press Options/Clock until "TEMP UNIT" is displayed.
2. The current setting will be displayed.
3. Press the "1" keypad to adjust the setting.
4. Press START or CANCEL to exit and display the time of day.

Audible Tones Disable

Turns off all tones, including the end of cycle tone and key press tones. Reminder tones are still active when all tones are disabled.

1. Press Options/Clock until "SOUND" is displayed.
2. The current setting will be displayed.
3. Press the "1" keypad to adjust the setting.
4. Press START or CANCEL to exit and display the time of day.

Sound Volume

Sets the volume of the tone to either high or low.

1. Press Options/Clock until "SOUND VOLUME" is displayed.
2. The current setting will be displayed.
3. Press the "1" keypad to adjust the setting.
4. Press START or CANCEL to exit and display the time of day.

End of Cycle Tone

Activates or turns off the tones that sound at the end of a cycle.

1. Press Options/Clock until "END TONE" is displayed.
2. The current setting will be displayed.
3. Press the "1" keypad to adjust the setting.
4. Press START or CANCEL to exit and display the time of day.

Key Press Tones

Activates or turns off the tones when a keypad is pressed.

1. Press Options/Clock until "KEYPRESS TONE" is displayed.
2. The current setting will be displayed.
3. Press the "1" keypad to adjust the setting.
4. Press START or CANCEL to exit and display the time of day.

Reminder Tones Disable

Turns off the short repeating tone that sounds every 1 minute after the end of cycle tones.

1. Press Options/Clock until "REMINDER TONE" is displayed.
2. The current setting will be displayed.
3. Press the "1" keypad to adjust the setting.
4. Press START or CANCEL to exit and display the time of day.

12/24 Hour Clock

1. Press Options/Clock until "12/24 HOUR" is displayed.
2. The current setting will be displayed.
3. Press the "1" keypad to adjust the setting.
4. Press START or CANCEL to exit and display the time of day.

Demo Mode

IMPORTANT: This feature is intended for use on the sales floor with 120 V power connection and permits the control features to be demonstrated without the oven turning on. If this feature is activated, the oven will not work.

1. Press Options/Clock until "DEMO MODE" is displayed.
2. The current setting will be displayed.
3. Press the "1" keypad to adjust the setting.
4. Press START or CANCEL to exit and display the time of day.

Sabbath Mode

The Sabbath mode sets the oven to remain on in a bake setting until turned off.

When the Sabbath mode is set, only the Bake cycle will operate. All other cooking and cleaning cycles are disabled. No tones will sound and the displays will not indicate temperature changes.

When the oven door is opened or closed, the oven light will not turn on or off and the heating elements will not turn on or off immediately.

To Enable Sabbath Mode Capability (One Time Only):

1. Press Options/Clock until "SABBATH" is displayed.
2. The current setting will be displayed.
3. Press the "1" keypad to adjust the setting.
4. Press START or CANCEL to exit and display the time of day.

12-Hour Shutoff

The oven control is set to automatically shut off the oven 12 hours after the oven initiates a cook or clean function. This will not interfere with any timed or delay cook functions.

1. Press Options/Clock until "12Hr AUTO_OFF" is displayed.
2. The current setting will be displayed.
3. Press the "1" keypad to adjust the setting.
4. Press START or CANCEL to exit and display the time of day.

Languages - Scrolling Display Text

Language options are English, Spanish, and French.

1. Press Options/Clock until "LANGUAGE" is displayed.
2. The current setting will be displayed.
3. Press the "1" or "2" keypad to select the desired language.
4. Press START or CANCEL to exit and display the time of day.

Oven Temperature Offset Control

IMPORTANT: Do not use a thermometer to measure oven temperature. Elements will cycle on and off as needed to provide consistent temperature but may run slightly hot or cool at any point in time due to this cycling. Most thermometers are slow to react to temperature change and will not provide an accurate reading due to this cycling.

The oven provides accurate temperatures; however, it may cook faster or slower than your previous oven, so the temperature can be adjusted to personalize it for your cooking needs. It can be changed to Fahrenheit or Celsius.

To Adjust Oven Temperature:

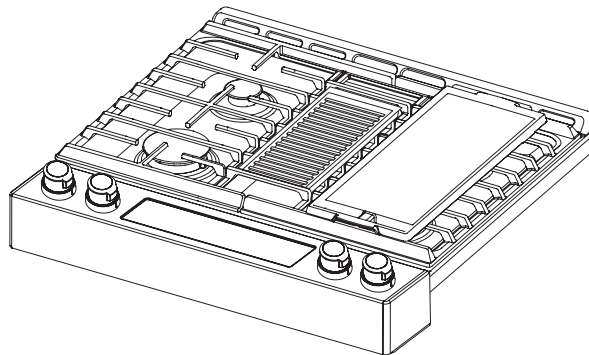
1. Press Options/Clock until "TEMP CALIB" is displayed.
2. On some models, press "1" to adjust the drawer temperature calibration. Press START, wait 10 seconds for the display to change, and then continue with Step 3.

OR

Press START to adjust the oven temperature calibration. Wait 10 seconds for the display to change, and then continue with Step 3.

3. Press the "3" keypad to increase the temperature in 5°F (3°C) increments, or press the "6" keypad to decrease the temperature in 5°F (3°C) increments. The offset range is from -30°F to +30°F (-18°C to +18°C).
4. Press START or CANCEL to exit and display the time of day.

Griddle



Griddle installed on right side of cooktop

To Use the Griddle:

1. Locate the griddle on the right side grate, as shown. The locating feet on the bottom of the griddle will engage the grate tines to keep the griddle from sliding.
2. Before each use, brush on a thin layer of cooking oil to keep food from sticking. Cooking sprays may leave a sticky residue on the griddle that is hard to remove.
3. Preheat the griddle for 5 minutes. Preheating the griddle slowly will ensure even heat distribution and will avoid warping the griddle.
4. For preheating and cooking, set the front burner to the lowest heat setting and the rear burner to medium-high heat for best performance.

NOTE: The griddle may also be used on the left side grate. For best results, the rear burner setting should be set to Medium-Low or Medium, and the front burner setting should be set to Low.

To Clean the Griddle:

1. Let the griddle cool, and then empty the drip tray
2. See the "General Cleaning" section of your Owner's Manual for cleaning instructions.
3. Store griddle in a cool dry place.

Downdraft Ventilation System

The built-in downdraft ventilation system removes cooking vapors, odors, and smoke from foods prepared on the cooktop.

IMPORTANT: For optimal performance, operate the downdraft ventilation system with the filter properly installed.

To avoid the buildup of grease, the filter should be cleaned often.

For more information on proper filter placement and cleaning, see "Downdraft Ventilation System" in the "General Cleaning" section in the Owner's Manual.

Cookware

IMPORTANT: Do not leave empty cookware on a hot surface cooking area, element or surface burner.

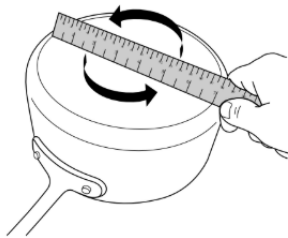
Ideal cookware should have a flat bottom, straight sides and a well-fitting lid, and the material should be of medium-to-heavy thickness.

Rough finishes may scratch the cooktop. Aluminum and copper may be used as a core or base in cookware. However, when used as a base, they can leave permanent marks on the surfaces.

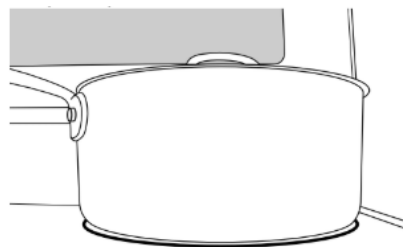
Cookware material is a factor in how quickly and evenly heat is transferred, which affects cooking results. A nonstick finish has the same characteristics as its base material. For example, aluminum cookware with a nonstick finish will take on the properties of aluminum.

Cookware with nonstick surfaces should not be used under the broiler.

Check for flatness by placing the straight edge of a ruler across the bottom of the cookware. While you rotate the ruler, no space or light should be visible between it and the cookware.



Use flat-bottomed cookware for best cooking results and energy efficiency. The cookware should be about the same size as the cooking area outlined on the cooktop. Cookware should not extend more than 1/2" (1.3 cm) outside the area.



Use the following chart as a guide for cookware material characteristics.

COOKWARE	CHARACTERISTICS
Aluminum	<ul style="list-style-type: none"> ■ Heats quickly and evenly. ■ Suitable for all types of cooking. ■ Medium or heavy thickness is best for most cooking tasks. ■ May leave aluminum residues, which may be diminished if cleaned immediately after cooking.
Cast iron	<ul style="list-style-type: none"> ■ Heats slowly and evenly. ■ Good for browning and frying. ■ Maintains heat for slow cooking. ■ Rough edges or burrs may scratch the cooktop.
Ceramic or Ceramic glass	<ul style="list-style-type: none"> ■ Follow manufacturer's instructions. ■ Heats slowly, but unevenly. ■ Ideal results on low to medium heat settings. ■ May scratch the cooktop.
Copper	<ul style="list-style-type: none"> ■ Heats very quickly and evenly. ■ May leave copper residues, which may be diminished if cleaned immediately after cooking ■ Can leave a permanent stain or bond to the cooktop if overheated.
Earthenware	<ul style="list-style-type: none"> ■ Follow manufacturer's instructions. ■ Use on low heat settings. ■ May scratch the cooktop.
Porcelain enamel-on-steel or cast iron	<ul style="list-style-type: none"> ■ See stainless steel or cast iron. ■ Porcelain enamel bakeware without the metal base may bond to the cooktop if overheated.
Stainless steel	<ul style="list-style-type: none"> ■ Heats quickly, but unevenly. ■ A core or base of aluminum or copper on stainless steel provides even heating.

Home Canning

When canning for long periods, alternate the use of surface cooking areas or elements between batches. This allows time for the most recently used areas to cool.

- Center the canner on the grate above the burner.
- Do not place canner on 2 surface cooking areas or elements at the same time.
- For more information, contact your local agricultural extension office, or refer to published home canning guides. Companies that manufacture home canning products can also offer assistance.

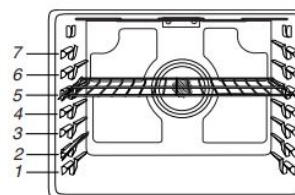
OVEN USE

Odors and smoke are normal when the oven is used the first few times or when it is heavily soiled.

IMPORTANT: The health of some birds is extremely sensitive to the fumes given off. Exposure to the fumes may result in death to certain birds. Always move birds to another closed and well ventilated room.

Positioning Racks and Bakeware

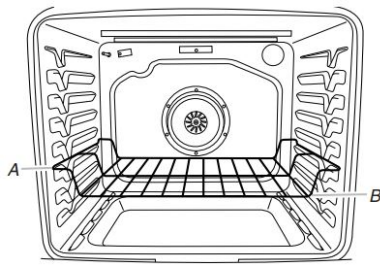
To position a rack, pull it out to the stop position, raise the front edge, and then lift out. Use the following illustration and charts as a guide.



The oven has 7 positions for a flat rack, as shown in the previous illustration and the following table.

Flat Rack Position	Type of Food
7	Broiling/searing meats, hamburgers, steaks
6	Broiled meats, poultry, fish
4	Air Fry Basket
3	Most baked goods, casseroles, frozen foods
2	Roasted meats
1	Large roasts or poultry

If your model has a Max Capacity Oven Rack, the recessed ends must be placed in the rack position above the desired position of the food. See the following illustration.



A. Ends of rack in position 3
B. Food in position 2

IMPORTANT: These rack positions are for flat racks. If a Max Capacity Oven Rack is used, the rack position must be adjusted as shown in the previous figure.

Multiple Rack Cooking

2-rack (non-convection): Use rack positions 2 and 5 or 3 and 6.

2-rack (convection): Use rack positions 2 and 5 or 3 and 6.

3-rack (convection): Use rack positions 2 and 7 and a Max Capacity Oven Rack in rack position 5.

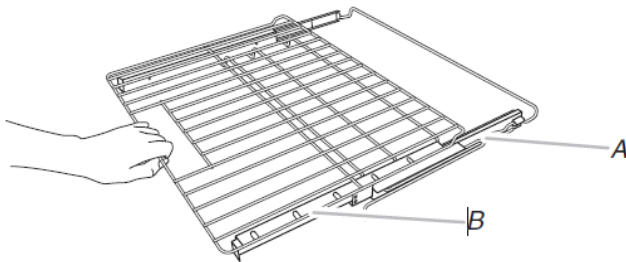
Bakeware

To cook food evenly, hot air must be able to circulate. Allow 2" (5 cm) of space around bakeware and oven walls. Make sure that no bakeware piece is directly over another.

Roll-Out Rack (On Some Models)

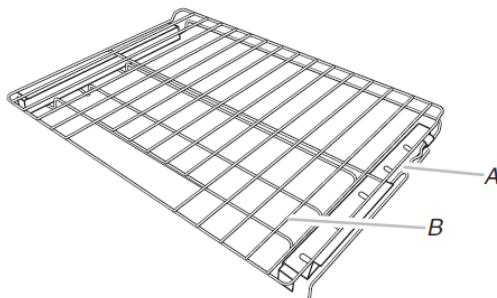
The roll-out rack allows easy access to position and remove food in the oven. It is not recommended to use the roll-out rack in the top rack, position 7, or the bottom rack, position 1.

Open Position



A. Rack frame
B. Sliding rack

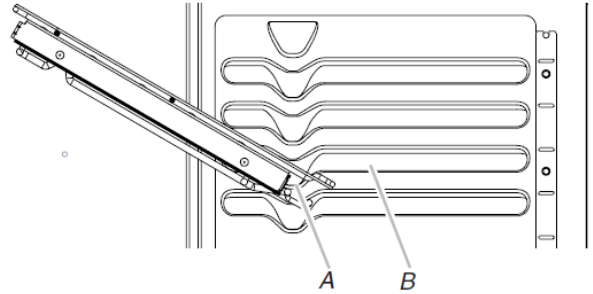
Closed and Engaged Position



A. Rack frame
B. Sliding rack

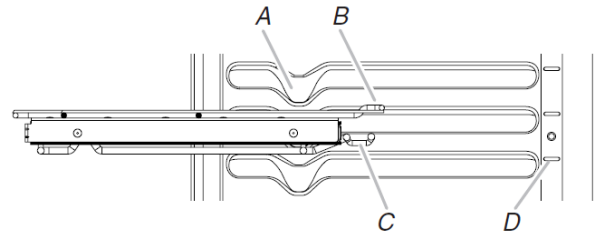
To Insert Roll-Out Rack

1. Angle the front of the rack assembly up, and then insert the rack frame into the "V" cutout in the rack guides of the oven cavity.



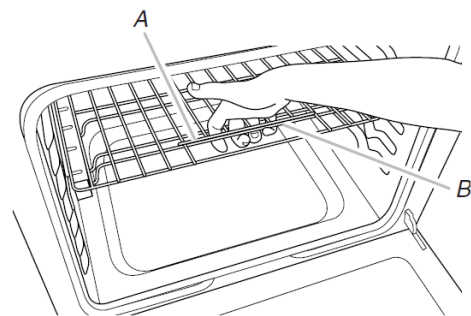
A. "V" cutout
B. Rack guides

2. Keep rack assembly lifted up at an angle, and then push in to bypass the lower "V" cutout.
3. Lower the front of the rack assembly, and then gently slide rack assembly into oven, bypassing the "V" cutouts. Push the rack assembly into the oven until it stops at the ladder in the back of the oven.



A. "V" cutout
B. Rack guides
C. Ladder hook
D. Ladder

4. Reach through the rack to hold the sliding rack and the front crossbar. Lift the front of the rack assembly, and then push the rack assembly to the back of the oven. Lower the front of the rack assembly so the ladder hook engages with the ladder on both sides of the oven.



A. Sliding rack
B. Front crossbar

To Remove Roll-Out Rack

1. Push the sliding rack in completely so that it is in the closed and engaged position.
2. Reach through the rack to hold the sliding rack and the front crossbar. Lift the front of the rack assembly to disengage the ladder hook from the ladders at the rear of the oven, and then pull the rack assembly forward.
3. Using 2 hands, gently pull the sliding rack and the rack frame at the same time to the "V" cutout. Angle the rack so that the front is higher than the back, and then gently pull rack past "V" cutout and then out of the oven.

To avoid damage to the sliding rack, do not place more than 25 lbs (11.4 kg) on the rack.

Do not clean the roll-out rack in a dishwasher. It may remove the rack's lubricant and affect its ability to slide.

See the "General Cleaning" section in the Owner's Manual for more information.

Sabbath Mode

The Sabbath mode sets the oven to remain on in a Bake setting until turned off.

When the Sabbath mode is set, only the Bake cycle will operate. All other cooking and cleaning cycles are disabled. No tones will sound and the displays will not indicate temperature changes.

When the oven door is opened or closed, the oven light will not turn on or off and the heating elements will not turn on or off immediately.

To Enable Sabbath Mode Capability (One Time Only):

1. Press Options/Clock until "SABBATH" is displayed. "OFF. Press (1) for On" will scroll in the display.
2. Press the "1" keypad. "ON. Press (1) for Off" will scroll in the display. Sabbath mode can be activated for baking.
3. Press START or CANCEL to exit and display the time of day.
NOTE: To disable the Sabbath mode, repeat steps 1 through 3 to change the status from "SABBATH ON" to "SABBATH OFF."

To Activate Sabbath Mode:

1. Press Bake.
2. Press the number keypad to set a temperature other than 350°F (177°C).
3. Press START.
For timed cooking in Sabbath mode, press Cook Time, and then the number keypads to set the desired cook time.
4. Press Options/Clock. Three tones will sound. Then press "7." "Sab" will appear in the display.

To Adjust Temperature (When Sabbath Mode Is Running):

1. Press the number keypad as instructed by the scrolling text to select the new temperature.
NOTE: The temperature adjustment will not appear on the display. The scrolling text will be shown on the display as it was before the keypad was pressed.
2. Press START.

To Deactivate Sabbath Mode:

Press Options/Clock and then press "7" to return to regular baking, or press CANCEL to turn off the range.

NOTE: No tones will sound while deactivating Sabbath mode.

Baking and Roasting

Preheating

When beginning a Bake, Convection Bake, or Convection Roast cycle, the oven will begin preheating after Start is pressed. The oven will take approximately 12 to 15 minutes to reach 350°F (177°C) with all of the oven racks provided with your oven inside the oven cavity. Higher temperatures will take longer to preheat. The preheat cycle rapidly increases the oven temperature. The actual oven temperature will go above your set temperature to offset the heat lost when your oven door is opened to insert food. This ensures that when you place your food in the oven, the oven will begin at the proper temperature. Insert your food when the preheat tone sounds. Do not open the door during preheat before the tone sounds.

Oven Temperature

While in use, the oven elements will cycle on and off as needed to maintain a consistent temperature, but they may run slightly hot or cool at any point in time due to this cycling. Opening the oven door while in use will release the hot air and cool the oven which could impact the cooking time and performance. It is recommended to use the oven light to monitor cooking progress.

NOTE: On models with convection, the convection fan may run in the non-convection bake mode to improve oven performance.

Temperature Management System

The Temperature Management System electronically regulates the oven heat levels during preheat and bake to maintain a precise temperature range for optimal cooking results. The bake and broil elements or burners cycle on and off in intervals. On convection range models, the fan will run while preheating and may be cycled on and off for short intervals during bake to provide the best results. This feature is automatically activated when the oven is in use.

Before baking and roasting, position racks according to the "Positioning Racks and Bakeware" section. When roasting, it is not necessary to wait for the oven preheat cycle to end before putting food in unless it is recommended in the recipe.

Broiling

When broiling, preheat the oven for 2 minutes before putting food in, unless recommended otherwise in the recipe. Position food on grid in a broiler pan, and then place it in the center of the oven rack.

IMPORTANT: Close the door to ensure proper broiling temperature.

Changing the temperature when broiling allows more precise control when cooking. The lower the broil setting is, the slower the cooking. Thicker cuts and unevenly shaped pieces of meat, fish, and poultry may cook better at lower broil settings. Use rack 6 or 7 for broiling. Refer to the "Positioning Racks and Bakeware" section for more information.

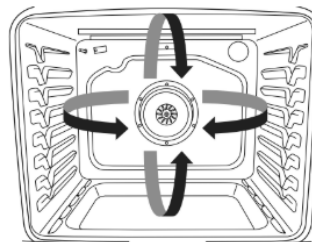
On lower settings, the broil element will cycle on and off to maintain the proper temperature.

- For best results, use a broiler pan and grid. It is designed to drain juices and help avoid spatter and smoke.

If you would like to purchase a broiler pan, one may be ordered. Please refer to the Quick Start Guide for contact information.

Convection Cooking

In a convection oven, the fan-circulated hot air continually distributes heat more evenly than the natural movement of air in a standard thermal oven. This movement of hot air helps maintain a consistent temperature throughout the oven, cooking foods more evenly, crisping surfaces while sealing in moisture and yielding crustier breads.



During convection baking or roasting, the bake, broil, and convection elements cycle on and off in intervals while the fan circulates the hot air. During convection broiling, the broil and convection elements cycle on and off.

If the oven door is opened during convection cooking, the fan will turn off immediately. It will come back on when the oven door is closed.

With convection cooking, most foods can be cooked at a lower temperature and/or a shorter cooking time than in a standard thermal oven. Depending upon the selected cooking mode, EasyConvect™ conversion can automatically reduce the standard recipe temperature and/or time you input for convection cooking. If you choose not to use the EasyConvect™ conversion, use the following table as a guide.

Convection Mode	Time/Temperature Guidelines
Convection Bake	25°F (15°C) lower temperature, possible shortened cooking time
Convection Roast	Cooking time shortened by up to 30%
Convection Broil	Shortened cooking time

Convect Options

Convect Bake - multiple-rack baking or cookies, biscuits, breads, casseroles, tarts, tortes, cakes

Convect Roast - whole chicken or turkey, vegetables, pork roasts, beef roasts

Convect Broil - thicker cuts or unevenly shaped pieces of meat, fish, or poultry

Air Fry Basket

Part of what makes air fryers so efficient at crisping up your food has to do with the perforated basket that is designed for air frying. The air fry basket allows the hot air to circulate thoroughly on the entire surface of the food.

When using the Air Fry feature, position the air fry basket on top of a large baking sheet to collect crumbs, oil, and mitigate smoke. Place basket and sheet in the middle of the oven to increase air flow and circulation. Refer to the Positioning Racks and Bakeware section for more details. Avoid using more than one basket to avoid uneven cooking.

Air Fry

IMPORTANT: Cooking times, temperatures, and general instructions may differ depending on recipe.

When air frying, the heating elements and convect fan cycle on and off in intervals to maintain the oven temperature while the fan circulates the hot air. Close the oven door to ensure proper temperature.

Air frying in a large oven cavity allows for more food to be air fried at one time, longer baking times are to be expected.

- When air frying, food should be evenly spaced in air fry basket in a single layer.
- Refer to instructions on packaged food for conventional oven baking regarding air fry time and temperature.
- For fresh food recipes with bake times over 30 minutes, a 5-10 minute preheat time can increase performance.
- For frozen, bone-in, or dense foods with cook times less than 15 minutes, additional time may be required.
- It is not recommended to use air fry with wet batter.
- For best performance, shake or flip food half-way through bake time. Be sure to close oven door after removing food.
- Spray air fry basket with oil to avoid food sticking to basket.

Favorite

Favorite stores the oven mode and temperature for your favorite recipe.

To Save a Recipe:

1. While the oven is being used for Bake, Broil, Convect Bake, Convect Roast, or Convect Broil, press and hold Favorite for 3 seconds.
2. The current oven mode, cook time, and temperature will be displayed. "SAVED" will be displayed. The recipe has been saved.

NOTE: Only one recipe can be saved at a time. Saving a new recipe will overwrite a previously saved recipe.

To Select the Favorite Recipe:

1. Press Favorite. The saved oven mode and temperature will be displayed.
NOTE: Favorite does not store cook times.
2. Press START.
3. Once the recipe is selected, oven will begin preheating to the set program.
4. To change the temperature, press the number keypads to set the desired temperature.
5. Press START.
6. To change the cook time, press Cook Time.
7. Press the number keypads to set the desired cook time.
8. Press START.
9. Press CANCEL when finished cooking.

Cook Time

To Set a Timed Cook:

1. Press Bake, Broil, or press Auto Convect Modes or Manual Convect Modes until the desired convection mode appears on the display.
2. Press the number keypads to enter a temperature other than the one displayed.
3. Press Cook Time. The cook time oven indicator light will light up.
4. Press the number keypads to enter the length of time to cook.
5. Press START. The display will count down the time. When the time ends, the oven will shut off automatically.
6. Press CANCEL for the desired oven to clear the display.

To Set a Delayed Timed Cook:

1. Press Bake or Broil, or press Auto Convect Modes or Manual Convect Modes until the desired convection mode appears on the display.
2. Press the number keypads to enter a temperature other than the one displayed.
3. Press Cook Time. The cook time oven indicator light will light up.
4. Press the number keypads to enter the length of time to cook.
5. Press Delay Start.
6. Press number keypads to enter the number of hours and/or minutes you want to delay the start time.
7. Press START.

When the start time is reached, the oven will automatically turn on. The temperature and/or time settings can be changed anytime after pressing Start by repeating steps 2 through 7. When the set cook time ends, the oven will shut off automatically.

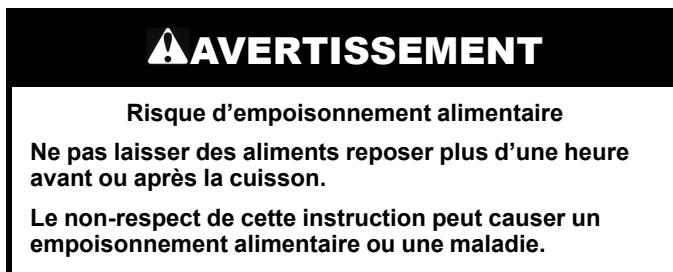
8. Press CANCEL for the desired oven to clear the display.

Guide des commandes de la cuisinière à double combustible et évacuation par le bas

GUIDE DES CARACTÉRISTIQUES

AVERTISSEMENT : Pour réduire le risque d'incendie, de décharge électrique ou de blessures, lire les INSTRUCTIONS IMPORTANTES DE SÉCURITÉ du guide d'utilisation de votre appareil avant de faire fonctionner cet appareil.

Le présent manuel couvre plusieurs modèles. Le modèle que vous avez peut comporter toutes les caractéristiques énumérées ou seulement certaines d'entre elles. Se reporter à ce manuel ou à la section d'aide des produits de notre site Web à www.jennair.com pour des instructions plus détaillées. Au Canada, consulter la section d'aide relative aux produits au www.jennair.ca.



TOUCHE	CARACTÉRISTIQUE	INSTRUCTIONS
Options/Clock (options/horloge)	Clock (horloge)	Cette horloge est réglable sur 12 ou 24 heures. Voir la section « Commande électronique du four ». <ol style="list-style-type: none"> 1. Appuyer sur Options/Clock (options/horloge) jusqu'à afficher « CLOCK » (horloge). 2. Appuyer sur START (mise en marche) pour changer l'heure. 3. Appuyer sur « 3 » pour AM (heure du matin) ou « 6 » pour PM (heure de l'après-midi). 4. Appuyer sur les touches numériques pour régler l'heure. 5. Appuyer sur START (annulation) pour quitter.
Options/Clock (options/horloge)	Settings (réglages)	Permet de personnaliser les signaux sonores et le fonctionnement du four selon les préférences de l'utilisateur. Voir la section « Commande électronique du four ».
Léger	Lampe de la cavité du four	La lampe du four est commandée à l'aide du tableau de commande du four. Alors que la porte du four est fermée, appuyer sur Light (lampe) pour allumer ou éteindre la lampe. La lampe du four s'allume automatiquement à l'ouverture de la porte.
Timer Set/OFF (réglage/arrêt de la minuterie)	Minuterie du four	La minuterie peut être réglée en heures ou en minutes jusqu'à concurrence de 9 heures et 59 minutes. <ol style="list-style-type: none"> 1. Appuyer sur Timer Set/OFF (réglage/arrêt de la minuterie). 2. Appuyer sur les touches numériques pour programmer une durée au format heure-minute. Il n'est pas nécessaire de saisir les zéros de gauche. Par exemple, pour saisir 2 minutes, appuyer sur « 2 ». 3. Appuyer sur Timer Set/OFF (réglage/arrêt de la minuterie) pour commencer le compte à rebours. Si activés, les signaux sonores de fin de programme retentissent à la fin du compte à rebours. 4. Appuyer sur Timer Set/OFF (réglage/arrêt de la minuterie) pour annuler la minuterie et revenir à l'heure du jour. Ne pas appuyer sur la touche CANCEL (annulation), sinon le four s'éteindra. 5. Si la minuterie est activée, mais n'apparaît pas sur l'affichage, appuyer sur Timer Set/OFF (réglage/arrêt de la minuterie) pour faire apparaître le compte à rebours pendant 5 secondes.
START (mise en marche)	Démarrage de la cuisson	La touche START (mise en marche) met en marche n'importe quelle fonction du four. Si, après avoir appuyé sur une touche, on n'appuie pas sur START (mise en marche) dans les 2 minutes qui suivent, la fonction est annulée et l'heure s'affiche.

TOUCHE	CARACTÉRISTIQUE	INSTRUCTIONS
CANCEL (annulation)	Fonction de la cuisinière	La touche CANCEL (annulation) désactive toutes les fonctions à l'exception de l'horloge et de la minuterie.
Cuisson au four	Cuisson au four et rôtissage	<ol style="list-style-type: none"> 1. Appuyer sur Bake (cuisson au four). 2. Utiliser les touches numériques pour régler la température souhaitée. Si la température entrée ne se trouve pas dans la fourchette des températures autorisées, la température minimale ou maximale autorisée s'affiche. Entrer une température dans la fourchette autorisée. 3. Appuyer sur START (mise en marche). 4. Pour changer la température, répéter les étapes 2 et 3. 5. Appuyer sur CANCEL (annulation) après avoir terminé.
Cuisson au gril	Broiling (cuisson au gril)	<ol style="list-style-type: none"> 1. Appuyer sur Broil (cuisson au gril). 2. Utiliser les touches numériques pour régler la température souhaitée. Si la température entrée ne se trouve pas dans la fourchette des températures autorisées, la température minimale ou maximale autorisée s'affiche. Entrer une température dans la fourchette autorisée. 3. Appuyer sur START (mise en marche) et laisser le four préchauffer pendant 2 minutes. 4. Pour changer la température, répéter les étapes 2 et 3. 5. Placer le plat dans le four, puis fermer la porte. 6. Appuyer sur CANCEL (annulation) après avoir terminé.
Keep Warm (maintien au chaud)	Maintien au chaud	<p>Les aliments doivent être à la température de service avant d'être placés dans le four chaud.</p> <ol style="list-style-type: none"> 1. Appuyer sur Keep Warm (maintien au chaud). 2. Utiliser les touches numériques pour régler la température souhaitée. Si la température entrée ne se trouve pas dans la fourchette des températures autorisées, la température minimale ou maximale autorisée s'affiche. Entrer une température dans la fourchette autorisée. 3. Appuyer sur START (mise en marche). 4. Appuyer sur CANCEL (annulation) après avoir terminé.
Manual Convection Modes (modes de cuisson au four par convection manuelle)	Cuisson par convection	<ol style="list-style-type: none"> 1. Appuyer sur Manual Convection Modes (modes de convection manuelle) jusqu'à afficher à l'écran le mode de convection souhaité. 2. Appuyer sur START (mise en marche). 3. Utiliser les touches numériques pour régler la température souhaitée. Si la température entrée ne se trouve pas dans la fourchette des températures autorisées, la température minimale ou maximale autorisée s'affiche. Entrer une température dans la fourchette autorisée. 4. Appuyer sur START (mise en marche). 5. Insérer les aliments lorsque demandé. 6. Pour changer la température, répéter les étapes 3 et 4. 7. Appuyer sur CANCEL (annulation) après avoir terminé.
Auto Convection Modes (modes de cuisson au four par convection automatique)	Cuisson par convection	<ol style="list-style-type: none"> 1. Appuyer sur Auto Convection Modes (modes de convection automatique) jusqu'à afficher à l'écran le mode de convection souhaité. 2. Appuyer sur START (mise en marche). 3. Utiliser les touches numériques pour régler la température souhaitée. Si la température entrée ne se trouve pas dans la fourchette des températures autorisées, la température minimale ou maximale autorisée s'affiche. Entrer une température dans la fourchette autorisée. 4. Appuyer sur START (mise en marche). 5. Utiliser les touches numériques pour régler le temps de cuisson souhaité. 6. Appuyer sur START (mise en marche). 7. Insérer les aliments lorsque demandé. 8. Pour changer la température, répéter les étapes 3 à 6. 9. Appuyer sur CANCEL (annulation) après avoir terminé.
Favorite (recette favorite)	Recette favorite sauvegardée	La touche Favorite (recette favorite) conserve le mode du four, la durée de cuisson et la température de cuisson de votre recette favorite. Pour sauvegarder et employer la recette favorite, consulter la section « Recette favorite ».
Cook Time (durée de cuisson)	Timed Cooking (cuisson minutée)	<p>La fonction Timed Cooking (cuisson minutée) permet d'allumer le four à une certaine heure de la journée, d'effectuer une cuisson pendant une durée déterminée et/ou d'éteindre le four automatiquement.</p> <p>Pour régler Timed Cook (cuisson minutée) ou Delayed Timed Cook (cuisson minutée différée), voir la section « Durée de cuisson ».</p>

TOUCHE	CARACTÉRISTIQUE	INSTRUCTIONS
Delay Start (mise en marche différée)	Mise en marche différée (mise en marche différée)	<p>La touche Delay Start (mise en marche différée) sert à entrer l'heure de mise en marche pour un four équipé de mise en marche différée. La mise en marche différée ne doit pas être utilisée pour les aliments tels que pains et gâteaux, car ils risquent de ne pas bien cuire.</p> <p>Pour choisir Timed Cook (cuisson minutée) ou Delayed Timed Cook (cuisson minutée différée), voir la section Durée de cuisson.</p>
Aqualift Self Clean (autonettoyage Aqualift)	Programme de nettoyage	Voir la section « Programme de nettoyage ».
Downdraft Fan High/Low/Auto OFF/OFF (extraction par le bas élevée/faible/fermée)	Ventilateur d'extraction par le bas	<p>Appuyer sur Downdraft Fan High (ventilateur à aspiration par le bas – vitesse élevée) ou sur Downdraft Fan Low (ventilateur à aspiration par le bas – vitesse basse) pour allumer le ventilateur à aspiration par le bas à la vitesse désirée.</p> <p>Appuyer sur Downdraft Fan OFF (ventilateur à aspiration par le bas – arrêt) pour éteindre le ventilateur à aspiration par le bas immédiatement.</p> <p>Appuyer sur Downdraft Fan Auto OFF (ventilateur à aspiration par le bas – arrêt automatique) pour éteindre le ventilateur à aspiration par le bas après une période réglée. Pour ajouter 15 minutes à la période réglée, à concurrence de 1 heure, appuyer de nouveau sur Downdraft Fan Auto OFF (ventilateur à aspiration par le bas – arrêt automatique).</p> <p>Si le ventilateur à aspiration par le bas est éteint, appuyer sur Downdraft Fan Auto Off (ventilateur à aspiration par le bas – arrêt automatique) le remettra en marche à vitesse élevée. Si le ventilateur à aspiration par le bas est déjà allumé, appuyer sur Downdraft Fan Auto OFF (ventilateur à aspiration par le bas – arrêt automatique) ne changera pas la vitesse du ventilateur à aspiration par le bas.</p>
START (hold 3 sec. to lock [mise en marche [appuyer pendant 3 s pour verrouiller])	Verrouillage des commandes du four	<ol style="list-style-type: none"> 1. Vérifier que le four est éteint. 2. Appuyer pendant 3 secondes sur la touche START (hold 3 sec to Lock) (mise en marche [appuyer pendant 3 s pour verrouiller]). 3. Un signal sonore retentit et l'avertissement « Control Locked » (commandes verrouillées) défile, puis « Locked » (verrouillé) s'affiche. 4. Répéter ces étapes pour déverrouiller. Aucune touche ne fonctionne lorsque les commandes sont verrouillées. Les fonctions de la table de cuisson ne sont pas affectées par le verrouillage des commandes du four.
Options/Clock (options/horloge)	Économie d'énergie	<p>Appuyer sur la touche OPTIONS/CLOCK (options/horloge) pendant 3 secondes pour changer d'état. « Energy saver on » (économie d'énergie activée) ou « Energy saver off » (économie d'énergie désactivée) défile sur l'affichage.</p> <p>Si le mode d'économie d'énergie est activé, l'affichage passe en mode veille après 5 minutes d'inactivité. Appuyer sur n'importe quelle touche pour activer l'affichage. Si le mode d'économie d'énergie est désactivé, l'affichage reste constamment allumé.</p>
Air Fry (friture à l'air)	Friture à l'air	<ol style="list-style-type: none"> 1. Appuyer sur Air Fry (friture à l'air). 2. Entrer la température de cuisson souhaitée à l'aide des touches numériques. Une tonalité résonnera si la température saisie est trop élevée ou basse. 3. Appuyer sur la touche START (mise en marche). Il n'y a pas de préchauffage ou de tonalité de préchauffage. 4. Pour changer la température, répéter l'étape 2. Appuyer sur la touche START (mise en marche). 5. Appuyer sur la touche Cancel (annulation) une fois l'opération terminée. <p>REMARQUE : Le ventilateur de convection et les éléments s'arrêtent lorsque la porte est ouverte. Si la porte reste ouverte trop longtemps, les éléments de chauffage s'éteignent jusqu'à ce que la porte du four soit fermée. Toutes les minuteries, incluant les minuteries de cuisson ou les fonctions de cuisson minutée, continuent leur compte à rebours.</p>

Technologie d'autonettoyage AquaLift®



La technologie d'autonettoyage AquaLift® est une solution de nettoyage inédite permettant de réduire la durée, la température et les odeurs habituellement dégagées par rapport aux méthodes d'autonettoyage traditionnelles. Avec l'autonettoyage AquaLift®, une pellicule protectrice innovatrice est activée par la chaleur et l'eau à l'intérieur du four pour décoller les salissures incrustées. Pour utiliser la technologie d'autonettoyage AquaLift®, il suffit d'essuyer les débris décollés, de verser de l'eau au fond du four et de lancer le programme d'autonettoyage AquaLift®. Une fois le programme terminé, en moins de 1 heure à une température plus basse que les méthodes d'autonettoyage traditionnelles, essuyer simplement l'eau restante et les salissures décollées. Voir la section « Programme de nettoyage » pour des instructions plus détaillées. Pour plus d'informations, des réponses aux questions fréquentes et des vidéos consacrées à la technologie d'autonettoyage AquaLift®, visiter notre site Web au <http://whirlpoolcorp.com/aqualift>.

Température de la surface

Lorsque la cuisinière est en marche, toutes ses surfaces peuvent chauffer, y compris les boutons de commande et la porte du four.

Tiroir-réchaud, tiroir de rangement ou tiroir de cuisson (sur certains modèles)

Lorsque le four est en marche, le tiroir peut chauffer. Ne pas placer d'objets en plastique, en tissu ou susceptibles de fondre ou de brûler dans le tiroir.

Évent du four

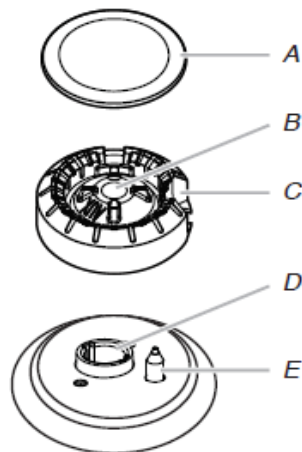
L'évent du four permet l'évacuation de l'air chaud et de l'humidité du four. Il ne doit pas être obstrué ou couvert. Ne pas placer près de l'évent du four des objets en plastique, en papier ou susceptibles de fondre ou de brûler.

Brûleur de surface

IMPORTANT : Ne pas entraver l'évacuation de l'air de combustion et de ventilation autour des bords des grilles de brûleur.

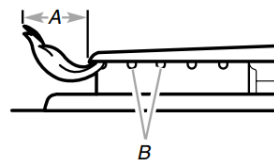
Chapeau de brûleur : Toujours garder le chapeau de brûleur en place lorsqu'un brûleur de surface est utilisé. Un chapeau de brûleur propre aide à empêcher le mauvais allumage et les flammes irrégulières. Toujours nettoyer le chapeau du brûleur après un renversement; enlever et nettoyer régulièrement les chapeaux comme indiqué à la section « Nettoyage général » du manuel d'utilisation.

Alignement : S'assurer d'aligner l'ouverture du tube d'arrivée de gaz de la base du brûleur avec le porte-injecteur situé sur la table de cuisson et d'aligner également l'électrode d'allumage avec l'encoche de la base du brûleur.



- A. Chapeau de brûleur
- B. Ouverture du tube d'arrivée de gaz
- C. Base du brûleur
- D. Porte-gicleur
- E. Électrode d'allumage

Ouverture du tube d'arrivée de gaz : Pour que le brûleur s'allume convenablement, il faut que le gaz puisse passer librement à travers l'orifice. Garder cette zone propre et ne pas laisser les produits renversés, les aliments, les agents de nettoyage ou tout autre produit pénétrer dans l'ouverture du tube d'arrivée de gaz. Toujours utiliser un chapeau de brûleur pour protéger l'ouverture de gaz contre tout renversement.



- A. 1 à 1 1/2 po (2,5 à 3,8 cm)
- B. Orifices de brûleur

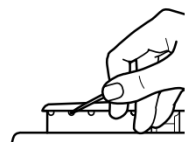
Orifices de brûleur : Examiner occasionnellement les flammes des brûleurs pour en vérifier la taille et la forme comme indiqué dans l'illustration précédente. Une bonne flamme est bleue plutôt que jaune. Garder cette zone exempte de souillures et ne pas laisser les produits renversés, les aliments, les agents de nettoyage ou autre produit pénétrer dans les orifices de brûleur.

Nettoyage :

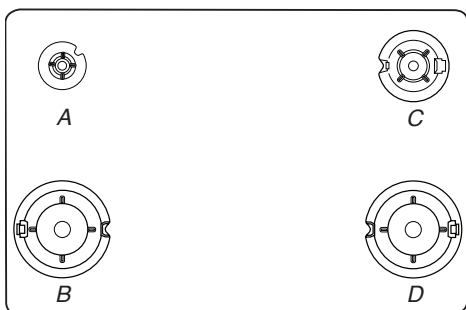
IMPORTANT : Avant le nettoyage, s'assurer que toutes les commandes sont désactivées et que le four est froid. Ne pas utiliser de nettoyeurs à four d'agent de blanchiment ou de décapants à rouille. Ne pas laver au lave-vaisselle.

1. Enlever le chapeau de brûleur de la base du brûleur et nettoyer comme indiqué à la section « Nettoyage général » dans le manuel d'utilisation.
2. Nettoyer l'ouverture du tube d'arrivée de gaz avec un chiffon humide.

3. Nettoyer les orifices de brûleur obstrués avec une épingle droite comme indiqué. Ne pas agrandir ni déformer l'orifice. Ne pas utiliser un cure-dents en bois. Si le brûleur a besoin d'être ajusté, contacter un technicien de réparation qualifié.

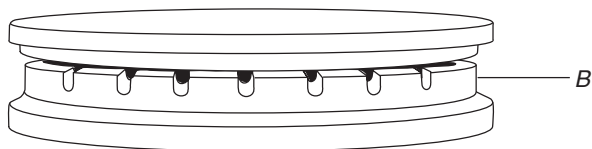
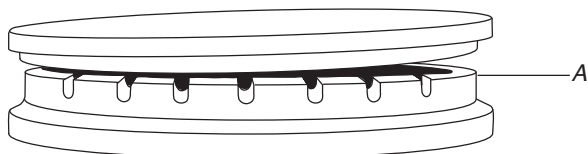


4. Réinstaller la base du brûleur. Les bases et les chapeaux des brûleurs doivent être correctement positionnés avant la cuisson. Chaque base de brûleur ronde est marquée de lettres indiquant la taille du brûleur. Voir l'illustration suivante pour connaître la position des brûleurs :



- A. Petit (auxiliaire) C. Moyen (semi-rapide)
B. Grand (ultra rapide) D. Grand (ultra rapide)

5. Réinstaller le chapeau du brûleur et s'assurer qu'il est bien aligné avec la base du brûleur. Un chapeau de brûleur correctement placé doit être horizontal. Si les chapeaux de brûleur ne sont pas correctement installés, les brûleurs de surface ne s'allumeront pas. Lorsque le chapeau de brûleur est correctement aligné, il ne balance pas et n'oscille pas.



- A. Incorrect
B. Correct

IMPORTANT : La partie inférieure des petits chapeaux et des chapeaux moyens est différente. Ne pas poser un chapeau de la mauvaise taille sur la base du brûleur.



Petit chapeau (AUX)



Chapeau moyen (semi-rapide)



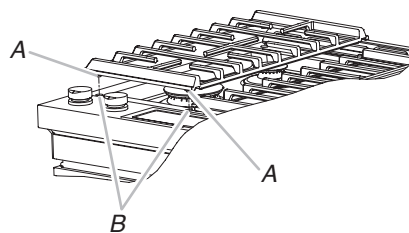
Grand chapeau (ultra rapide)

6. Allumer le brûleur. Si le brûleur ne s'allume pas, vérifier l'alignement du chapeau. Si le brûleur ne s'allume toujours pas, éteindre le brûleur. Ne pas réparer le brûleur soi-même. Contacter un technicien de réparation qualifié.

Grilles de surface

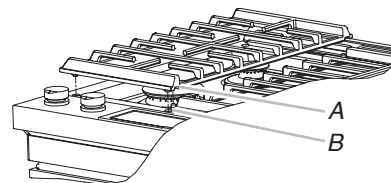
Les grilles doivent être correctement positionnées avant la cuisson. Les grilles doivent être en affleurement et de niveau pour être en bonne position. Une mauvaise installation des grilles peut écailler ou rayer la table de cuisson.

Afin de les positionner correctement, aligner les butoirs souples au-dessous de la grille avec les indentations sur la table de cuisson.



- A. Butoir
B. Indentations d'alignement

Les grilles de surface s'imbriquent à l'aide des crochets situés à une extrémité de la grille du milieu, et des fentes qui se trouve sur les grilles latérales. Pour retirer les grilles, retirer d'abord les grilles latérales, puis retirer la grille du milieu. Pour remettre les grilles en place, remettre d'abord en place la grille du milieu, puis remettre en place les grilles latérales de chaque côté.



- A. Fente
B. Crochet

Bien que les grilles de brûleurs soient durables, elles perdront progressivement de leur lustre et se décoloreront en raison des fortes températures produites par les flammes.

Commandes électroniques du four

Affichage des commandes

L'affichage clignote à la mise sous tension ou après une coupure de courant. Appuyer sur CANCEL (annulation) pour effacer. Lorsque le four n'est pas utilisé, l'heure s'affiche. Si la cuisinière est en mode Energy Save (mode d'économie d'énergie), l'écran est inactif lorsque le four n'est pas utilisé.

Signaux sonores

Les signaux sonores avertissent l'utilisateur de divers événements :

Un seul signal sonore

- Appui sur une touche valide
- Préchauffage du four terminé (signal sonore long).
- Saisie d'une fonction.
- Rappel, se répétant toutes les minutes après la tonalité de fin du programme

Trois signaux sonores

- Appui sur une touche non valide

Quatre signaux sonores

- Fin de programme

Appuyer sur la touche Options/Clock (options/horloge) pour modifier les réglages des signaux sonores.

Économie d'énergie

Le mode Energy Save (économie d'énergie) place la cuisinière en mode de veille pour réduire la consommation d'énergie.

Pour activer le mode économie d'énergie :

1. Appuyer sur la touche Options/Clock (options/horloge) pendant 3 secondes. La mention « energy Saver On. » (mode d'économie d'énergie actif) apparaît sur l'affichage.
2. Le réglage sera activé après 5 minutes.

Pour désactiver le mode économie d'énergie :

1. Appuyer sur la touche Options/Clock (options/horloge) pendant 3 secondes. La mention « energy Saver off. » (mode d'économie d'énergie désactivé) apparaît sur l'affichage.
2. L'horloge réapparaît dans l'affichage; on peut alors faire fonctionner la cuisinière comme d'habitude.

Settings (réglages)

De nombreuses fonctions du four peuvent être réglées pour répondre à vos besoins. La touche Options/Clock (options/horloge) sert à effectuer ces réglages.

Appuyer sur la touche Options/Clock (options/horloge) pour faire défiler les fonctions modifiables. L'affichage passe au réglage suivant à chaque pression supplémentaire sur Options/Clock (options/horloge). Après avoir sélectionné la fonction à modifier, le tableau de commande demande à l'utilisateur d'effectuer la manœuvre nécessaire. Appuyer sur START (mise en marche) ou CANCEL (annulation) pour quitter et afficher l'heure. Les sections suivantes détaillent toutes les fonctions modifiables.

Appuyer sur CANCEL (annulation) pour quitter le mode Settings (réglages).

Clock (horloge)

Cette horloge est réglable sur 12 ou 24 heures.

1. Appuyer sur Options/Clock (options/horloge) jusqu'à afficher « CLOCK » (horloge).
2. Appuyer sur START (mise en marche) pour changer l'heure.
3. Appuyer sur « 3 » pour AM (heure du matin) ou « 6 » pour PM (heure de l'après-midi).
4. Appuyer sur les touches numériques pour régler l'heure.
5. Appuyer sur START (mise en marche) ou CANCEL (annulation) pour quitter et afficher l'heure.

Fahrenheit et Celsius

La température est pré-réglée pour un affichage en degrés Fahrenheit, mais on peut l'afficher en degrés Celsius.

1. Appuyer sur Options/Clock (options/horloge) jusqu'à afficher « TEMP UNIT » (unité de température).
2. Le réglage en cours s'affiche.
3. Appuyer sur la touche « 1 » pour changer le réglage.
4. Appuyer sur START (mise en marche) ou CANCEL (annulation) pour quitter et afficher l'heure.

Désactivation des signaux sonores

Désactive tous les signaux sonores, y compris le signal sonore de fin de programme et les signaux sonores d'appui sur une touche. Les signaux sonores de rappel restent actifs lorsque tous les sons sont désactivés.

1. Appuyer sur Options/Clock (options/horloge) jusqu'à afficher « SOUND » (son).
2. Le réglage en cours s'affiche.
3. Appuyer sur la touche « 1 » pour changer le réglage.
4. Appuyer sur START (mise en marche) ou CANCEL (annulation) pour quitter et afficher l'heure.

Volume sonore

Règle le volume des signaux sonores à bas ou élevé.

1. Appuyer sur Options/Clock (options/horloge) jusqu'à afficher « SOUND VOLUME » (volume sonore).
2. Le réglage en cours s'affiche.
3. Appuyer sur la touche « 1 » pour changer le réglage.
4. Appuyer sur START (mise en marche) ou CANCEL (annulation) pour quitter et afficher l'heure.

Signal sonore de fin de programme

Active ou désactive les signaux sonores émis à la fin d'un programme.

1. Appuyer sur Options/Clock (options/horloge) jusqu'à afficher « END TONE » (tonalité de fin).
2. Le réglage en cours s'affiche.
3. Appuyer sur la touche « 1 » pour changer le réglage.
4. Appuyer sur START (mise en marche) ou CANCEL (annulation) pour quitter et afficher l'heure.

Signaux sonores d'appui sur une touche

Active ou désactive les signaux sonores lorsqu'on appuie sur une touche.

1. Appuyer sur Options/Clock (options/horloge) jusqu'à afficher « KEYPRESS TONE » (tonalité de bouton).
2. Le réglage en cours s'affiche.
3. Appuyer sur la touche « 1 » pour changer le réglage.
4. Appuyer sur START (mise en marche) ou CANCEL (annulation) pour quitter et afficher l'heure.

Désactivation des signaux sonores de rappel

Désactive le signal sonore bref qui retentit chaque minute après le signal sonore de fin de programme.

1. Appuyer sur Options/Clock (options/horloge) jusqu'à afficher « REMINDER TONE » (tonalité de rappel).
2. Le réglage en cours s'affiche.
3. Appuyer sur la touche « 1 » pour changer le réglage.
4. Appuyer sur START (mise en marche) ou CANCEL (annulation) pour quitter et afficher l'heure.

Horloge 12/24 heures

1. Appuyer sur Options/Clock (options/horloge) jusqu'à afficher « 12/24 HOUR » (horloge sur 12/24 heures).
2. Le réglage en cours s'affiche.
3. Appuyer sur la touche « 1 » pour changer le réglage.
4. Appuyer sur START (mise en marche) ou CANCEL (annulation) pour quitter et afficher l'heure.

Mode de démonstration

IMPORTANT : Cette fonction est destinée au personnel en magasin, cette fonction permet, avec un raccordement au secteur 120 V, de présenter les fonctions des commandes sans pour autant activer le four. Si cette fonction est activée, le four ne fonctionnera pas.

1. Appuyer sur Options/Clock (options/horloge) jusqu'à afficher « DEMO MODE » (mode démonstration).
2. Le réglage en cours s'affiche.
3. Appuyer sur la touche « 1 » pour changer le réglage.
4. Appuyer sur START (mise en marche) ou CANCEL (annulation) pour quitter et afficher l'heure.

Mode Sabbath (Sabbat)

Le mode Sabbath (Sabbat) permet au four de rester sur un réglage Bake (cuisson au four) jusqu'à ce qu'on l'éteigne.

Lorsque le mode Sabbath (Sabbat) est réglé, seul le programme de cuisson au four fonctionne. Tous les autres programmes de cuisson et de nettoyage sont désactivés. Aucun signal sonore ne retentit et les affichages n'indiquent pas les changements de température.

Lorsque la porte du four est ouverte ou fermée, la lampe du four ne s'allume ou ne s'éteint pas et les éléments de chauffage ne s'allument ou ne s'éteignent pas immédiatement.

Activation du mode Sabbath (Sabbat) (une seule fois) :

1. Appuyer sur Options/Clock (options/horloge) jusqu'à afficher « SABBAT » (Sabbat).
2. Le réglage en cours s'affiche.
3. Appuyer sur la touche « 1 » pour changer le réglage.
4. Appuyer sur START (mise en marche) ou CANCEL (annulation) pour quitter et afficher l'heure.

Arrêt au bout de 12 heures

Le four est configuré pour s'éteindre automatiquement 12 heures après avoir activé une fonction de cuisson ou de nettoyage. Cette fonction ne perturbe aucune fonction de cuisson minutée ou différée.

1. Appuyer sur Options/Clock (options/horloge) jusqu'à afficher « 12Hr AUTO_OFF » (arrêt automatique après 12 heures).
2. Le réglage en cours s'affiche.
3. Appuyer sur la touche « 1 » pour changer le réglage.
4. Appuyer sur START (mise en marche) ou CANCEL (annulation) pour quitter et afficher l'heure.

Langue du texte inscrit sur l'affichage

Les options de langue sont l'anglais, l'espagnol et le français.

1. Appuyer sur Options/Clock (options/horloge) jusqu'à afficher « LANGUAGE » (langue).
2. Le réglage en cours s'affiche.
3. Appuyer sur les touches « 1 » ou « 2 » pour sélectionner la langue souhaitée.
4. Appuyer sur START (mise en marche) ou CANCEL (annulation) pour quitter et afficher l'heure.

Commande de décalage de température du four

IMPORTANT : Ne pas utiliser de thermomètre pour mesurer la température du four. Les éléments chauffants s'allument et s'éteignent en alternance pour maintenir une température constante, mais leur température peut varier légèrement dans un sens ou dans l'autre du fait de cette alternance. De nombreux thermomètres réagissent lentement à un changement de température, et ne donneront pas une mesure exacte du fait de cette alternance.

Le four fournit des températures précises; toutefois, il peut cuire plus rapidement ou plus lentement que votre ancien four, c'est pourquoi la température peut être ajustée à vos besoins de cuisson. Elle peut être modifiée en degrés Fahrenheit ou Celsius.

Réglage de la température du four :

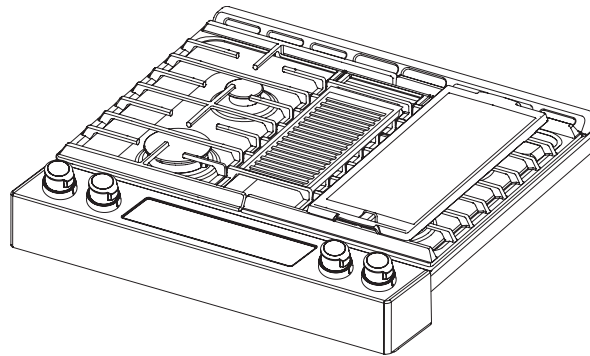
1. Appuyer sur Options/Clock (options/horloge) jusqu'à afficher « TEMP CALIB » (calibration de la température).
2. Sur certains modèles, appuyer sur 1 pour régler la température du tiroir-réchaud. Appuyer sur START (mise en marche), attendre 10 secondes que l'affichage change, puis passer à l'étape 3.

OU

Appuyer sur START (mise en marche) pour effectuer le réglage de la température du four. Attendre 10 secondes que l'affichage change, puis passer à l'étape 3.

3. Appuyer sur la touche « 3 » pour augmenter la température par paliers de 5 °F (3 °C) ou sur la touche « 6 » pour diminuer la température par paliers de 5 °F (3 °C). L'intervalle d'ajustement se situe entre - 30 °F et +30 °F (-18 °C et + 18 °C).
4. Appuyer sur START (mise en marche) ou CANCEL (annulation) pour quitter et afficher l'heure.

Plaque à frire



Plaque à frire installée du côté droit de la table de cuisson

Utilisation de la plaque à frire :

1. Placer la plaque à frire sur le côté droit de la grille, comme illustré. Les pieds de positionnement sur le dessous de la plaque à frire s'engagent dans les tiges de la grille pour empêcher la plaque à frire de glisser.
2. Avant chaque utilisation, passer une fine couche d'huile de cuisson afin d'empêcher les aliments de coller. Les aérosols de cuisson peuvent laisser un résidu collant sur la plaque à frire, qui sera difficile à enlever.
3. Préchauffer la plaque à frire pendant 5 minutes. Un préchauffage lent assure une distribution homogène de la chaleur et évite de déformer la plaque à frire.
4. Pour un préchauffage et une cuisson parfaits, placer le brûleur avant au réglage de chaleur le plus faible et le brûleur arrière au réglage de chaleur moyen-élevé.

REMARQUE : La plaque à frire peut également être utilisée sur la grille de gauche. Pour une performance optimale, placer le brûleur arrière au réglage de chaleur moyen-élevé ou moyen, et le brûleur avant au réglage de chaleur le plus faible.

Nettoyage de la plaque à frire :

1. Laisser la plaque à frire refroidir et vider ensuite le plateau ramasse-gouttes
2. Consulter la section « Nettoyage général » du Manuel d'utilisation pour obtenir des instructions de nettoyage.
3. Conserver la plaque à frire dans un lieu sec et frais.

Système de ventilation à évacuation par le bas

Le système de ventilation incorporé à aspiration par le bas élimine les vapeurs, les odeurs et la fumée de cuisson des aliments préparés sur la table de cuisson.

IMPORTANT : Pour un rendement optimal, faire fonctionner le système de ventilation à aspiration par le bas lorsque le filtre est correctement installé.

Afin d'éviter une accumulation de graisse, le filtre doit être nettoyé souvent.

Pour plus d'informations sur l'installation et le nettoyage corrects du filtre, voir « Système de ventilation à aspiration par le bas » dans la section « Nettoyage général ».

Ustensiles de cuisson

IMPORTANT : Ne pas laisser d'ustensile de cuisson vide sur une surface de cuisson, un élément ou un brûleur de surface chaud.

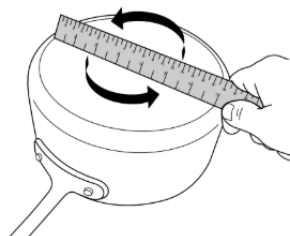
Les plats de cuisson parfaits doivent avoir un fond plat, des parois droites, un couvercle qui ferme hermétiquement et le matériau doit être d'épaisseur moyenne à forte.

Les finis rugueux peuvent égratigner la table de cuisson. L'aluminium et le cuivre peuvent être utilisés comme fond ou base d'un ustensile de cuisson. Toutefois, lorsqu'ils sont utilisés comme base, ils peuvent laisser des marques permanentes sur la surface de cuisson.

Le matériau d'un ustensile a une influence sur la rapidité et l'uniformité de la transmission de la chaleur, lesquelles contribuent aux résultats de cuisson. Un fini antiadhésif a les mêmes caractéristiques que son matériau de base. Par exemple, un ustensile de cuisson en aluminium avec un fini antiadhésif aura les propriétés de l'aluminium.

Les ustensiles de cuisson avec surface antiadhésive ne doivent pas être utilisés sous le gril.

Vérifier que le récipient est plat en plaçant le bord plat d'une règle en travers du fond du récipient. Lorsqu'on fait tourner la règle, aucun espace ou jour ne doit être visible entre celle-ci et le plat.



Utiliser le tableau suivant comme guide pour les caractéristiques du matériau d'ustensile de cuisson.

USTENSILES DE CUISSON	CARACTÉRISTIQUES
Aluminium	<ul style="list-style-type: none"> ■ Chauffe rapidement et uniformément. ■ Convient à tous les genres de cuisson. ■ L'épaisseur moyenne ou forte convient le mieux pour la plupart des tâches de cuisson. ■ Peut laisser des résidus d'aluminium. Pour en réduire la quantité, les nettoyer immédiatement après la cuisson.
Fonte	<ul style="list-style-type: none"> ■ Chauffe lentement et uniformément. ■ Convient pour le brunissage et la friture. ■ Maintient la chaleur pour une cuisson lente. ■ Des rebords anguleux ou mal poncés peuvent érafler la table de cuisson.
Céramique ou vitrocéramique	<ul style="list-style-type: none"> ■ Suivre les instructions du fabricant. ■ Chauffe lentement, mais inégalement. ■ Les meilleurs résultats sont obtenus sur les réglages de chaleur basse à moyenne. ■ Peut érafler la table de cuisson.
Cuivre	<ul style="list-style-type: none"> ■ Chauffe très rapidement et uniformément. ■ Peut laisser des résidus de cuivre. Pour en réduire la quantité, les nettoyer immédiatement après la cuisson. ■ Peut laisser une tache indélébile ou adhérer à la table de cuisson en cas de surchauffe du matériau.
Terre cuite	<ul style="list-style-type: none"> ■ Suivre les instructions du fabricant. ■ Utiliser des réglages de température basse. ■ Peut érafler la table de cuisson.

USTENSILES DE CUISSON

CARACTÉRISTIQUES

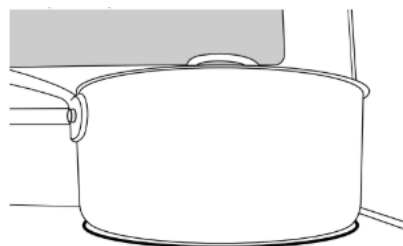
Acier émaillé en porcelaine ou fonte émaillée

- Voir les points acier inoxydable ou fonte.
- Les ustensiles de cuisson au four en émail vitrifié dépourvus d'une base métallique peuvent adhérer à la table de cuisson en cas de surchauffe du matériau.

Acier inoxydable

- Chauffe rapidement, mais inégalement.
- Un fond ou une base d'aluminium ou de cuivre sur l'acier inoxydable procure un chauffage uniforme.

Utiliser des ustensiles de cuisson à fond plat pour obtenir de meilleurs résultats de cuisson et une meilleure utilisation de l'énergie. Les ustensiles de cuisson doivent avoir la même taille que la zone de cuisson indiquée sur la table de cuisson. L'ustensile de cuisson ne doit pas dépasser de plus de 1/2 po (1,3 cm) hors de la zone de cuisson.



Mise en conserve à la maison

Lors de la préparation de conserves pendant de longues périodes, alterner l'utilisation des brûleurs de surface de cuisson entre chaque quantité préparée. Ceci permet aux dernières surfaces utilisées de refroidir.

- Centrer l'autoclave sur la grille au-dessus du brûleur.
- Ne pas placer l'autoclave sur 2 brûleurs de surface en même temps.
- Pour plus de renseignements, contacter votre bureau de développement agricole local, ou consulter les guides de mise en conserve domestique. Les compagnies qui fabriquent des produits pour la préparation de conserves peuvent aussi offrir de l'aide.

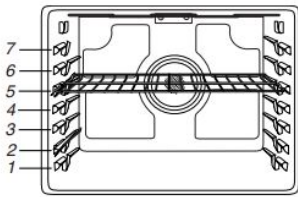
UTILISATION DU FOUR

Des odeurs et de la fumée sont normales lorsque le four est utilisé les premières fois et lorsqu'il est très sale.

IMPORTANT : Les émanations de fumée peuvent mettre en danger la santé de certains oiseaux qui y sont extrêmement sensibles. L'exposition aux émanations peut entraîner la mort de certains oiseaux. Toujours déplacer les oiseaux dans une autre pièce fermée et bien aérée.

Positionnement des grilles et des ustensiles de cuisson au four

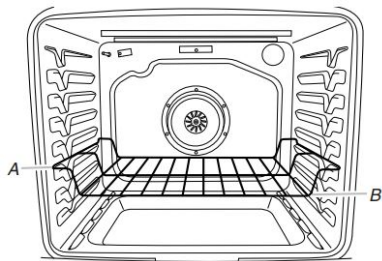
Pour positionner une grille, la tirer jusqu'à la butée, soulever l'avant puis la retirer. Se servir de l'illustration et du tableau suivants comme guide.



Le four présente 7 positions possibles pour une grille plate, comme indiqué dans l'illustration précédente et le tableau suivant.

Position de la grille plate	Type d'aliment
7	Cuire au grill/griller les viandes, les hamburgers, les steaks
6	Viandes grillées, volaille, poisson
4	Panier à friture à l'air
3	La plupart des produits de boulangerie, plats en sauce, plats surgelés
2	Viandes rôties
1	Gros rôtis/volailles

Si votre modèle possède une grille de four à capacité maximale, les bords surélevés doivent être placés dans la position immédiatement supérieure à la position souhaitée pour les aliments. Voir l'illustration suivante.



A. Extrémités de la grille en position 3
B. Aliments en position 2

IMPORTANT : Ces positions de grille sont pour les grilles plates. En cas d'utilisation d'une grille de four à capacité maximale, la position de la grille doit être ajustée en conséquence comme dans l'illustration précédente.

Cuisson sur plusieurs grilles

Cuisson sur 2 grilles (sans convection) : Utiliser les positions de grille 2 et 5 ou 3 et 6.

Cuisson sur 2 grilles (avec convection) : Utiliser les positions de grille 2 et 5 ou 3 et 6.

Cuisson sur 3 grilles (avec convection) : Utiliser les positions de grille 2 et 7 et une grille de four à capacité maximale en position 5.

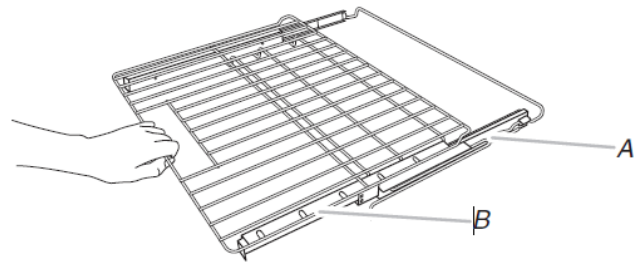
Ustensiles de cuisson

L'air chaud doit pouvoir circuler autour de l'aliment pour le cuire uniformément. Laisser 2 po (5 cm) entre les ustensiles de cuisson et les parois du four. S'assurer qu'aucun ustensile de cuisson ne se trouve directement au-dessus d'un autre.

Grille déployante (sur certains modèles)

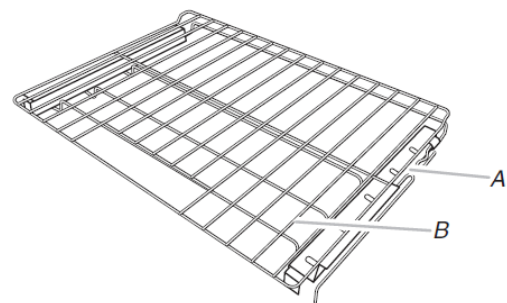
Cette grille déployante offre un accès facile à l'utilisateur pour le positionnement et le retrait des aliments. Il n'est pas conseillé d'utiliser la grille déployante à la position supérieure (position 7) ou à la position inférieure (position 1).

Position déployée



A. Cadre de la grille
B. Grille coulissante

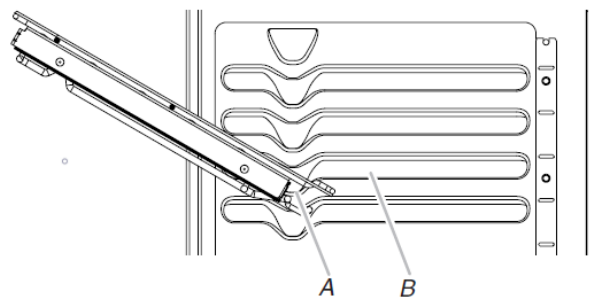
Position rétractée et emboîtée



A. Cadre de la grille
B. Grille coulissante

Insertion de la grille déployante

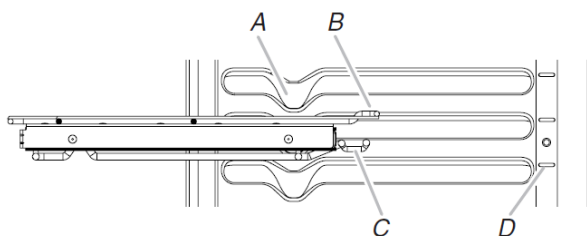
1. Incliner la grille vers le haut, puis l'insérer dans le cadre de la grille dans l'encoche en « V » des glissières de grille situées dans la cavité du four.



A. Ouverture en « V »
B. Guide de grille

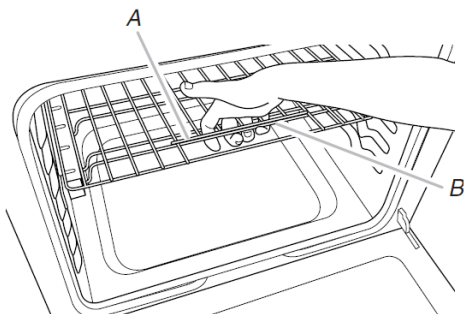
2. Garder la grille inclinée vers le haut, puis l'enfoncer au-delà de l'encoche inférieure en « V ».

3. Abaisser l'avant de la grille, puis l'introduire avec précaution dans le four en la faisant glisser au-delà des encoches en « V ». Pousser la grille dans le four jusqu'à ce qu'elle s'arrête sur l'échelle située à l'arrière de la cavité.



A. Ouverture en « V »
 B. Guide de grille
 C. Crochet d'échelle
 D. Échelle

4. Passer la main sur la grille pour agripper la grille coulissante et la barre transversale avant. Soulever l'avant de la grille, puis pousser la grille vers l'arrière du four. Abaisser l'avant de la grille pour que le crochet de l'échelle s'engage dans l'échelle de chaque côté du four.



A. Grille coulissante
 B. Barre transversale avant

Retrait de la grille déployante

1. Enfoncer la grille déployante complètement jusqu'à ce qu'elle soit rétractée et emboîtée sur les glissières.
2. Passer la main sur la grille pour agripper la grille coulissante et la barre transversale avant. Soulever l'avant de la grille pour dégager le crochet de l'échelle située au fond du four, puis tirer la grille vers l'avant.
3. Avec les deux mains, retirer simultanément la grille coulissante et son pourtour avec précaution pour les extraire de l'encoche en « V ». Incliner la grille de façon à ce que l'avant soit plus haut que l'arrière et la retirer avec précaution pour l'extraire de l'encoche en « V », puis du four.

Afin d'éviter d'endommager les supports coulissants, ne pas placer plus de 25 lb (11,4 kg) sur la grille.

Ne pas nettoyer la grille déployante au lave-vaisselle. Ceci pourrait enlever le lubrifiant de la grille et nuire à ses facultés de glissement.

Consulter la section « Nettoyage général » du Manuel d'utilisation pour obtenir plus d'instructions.

Mode Sabbath (Sabbat)

Le mode Sabbath (Sabbat) permet au four de rester sur un réglage Bake (cuisson au four) jusqu'à ce qu'on l'éteigne.

Lorsque le mode Sabbath (Sabbat) est réglé, seul le programme de cuisson au four fonctionne. Tous les autres programmes de cuisson et de nettoyage sont désactivés. Aucun signal sonore ne retentit et les affichages n'indiquent pas les changements de température.

Lorsque la porte du four est ouverte ou fermée la lampe du four ne s'allume ou ne s'éteint pas et les éléments de chauffage ne s'allument ou ne s'éteignent pas immédiatement.

Activation du mode Sabbath (une seule fois) :

1. Appuyer sur Options/Clock (options/horloge) jusqu'à afficher « SABBAT » (Sabbat). « ARRÊT. Appuyer sur (1) pour On » défile dans la zone de texte.
2. Appuyer sur la touche « 1 ». « MARCHE. Appuyer sur 1 pour OFF » défile dans la zone de texte. Le mode Sabbath (Sabbat) peut être utilisé pour la cuisson au four.
3. Appuyer sur START (mise en marche) ou CANCEL (annulation) pour quitter et afficher l'heure.

REMARQUE : Pour désactiver le mode Sabbath (Sabbat), répéter les étapes 1 à 3 pour changer l'état de « SABBATH ON » (mode Sabbath activé) à « SABBATH OFF » (mode Sabbath désactivé).

Activation du mode Sabbath (Sabbat) :

1. Appuyer sur Bake (cuisson au four).
2. Appuyer sur les touches numériques pour entrer une température autre que 350 °F (177 °C).
3. Appuyer sur START (mise en marche).
 Pour une cuisson minutée au mode Sabbath (Sabbat), appuyer sur Cook Time (durée de cuisson), puis sur les touches numériques pour régler la durée de cuisson désirée.
4. Appuyer sur Options/Clock (options/horloge). Trois signaux sonores retentissent. Appuyer ensuite sur « 7 ». « SAb » apparaît sur l'affichage.

Réglage de la température (lorsque le mode Sabbath [Sabbat] fonctionne) :

1. Appuyer sur les touches numériques comme indiqué par le texte déroulant afin de sélectionner la nouvelle température.

REMARQUE : Le changement de température n'apparaît pas sur l'affichage. Le texte déroulant s'affiche tel qu'il était avant que l'on n'appuie sur la touche.

2. Appuyer sur START (mise en marche).

Désactivation du mode Sabbath (Sabbat) :

Appuyer sur Options/Clock (options/horloge) puis sur « 7 » pour revenir à la cuisson au four traditionnelle ou appuyer sur CANCEL (annulation) pour éteindre la cuisinière.

REMARQUE : Aucun signal sonore ne retentira lors de la désactivation du mode Sabbath (Sabbat).

Cuisson au four et rôtissage

Préchauffage

Au début d'un programme de cuisson au four, de cuisson au four avec convection ou de rôtissage avec convection, le four commence par un préchauffage une fois la touche Start (mise en marche) enfoncée. Le four atteint 350 °F (177 °C) en 12 à 15 minutes environ lorsque toutes les grilles fournies avec le four sont à l'intérieur. Pour atteindre une température plus élevée, le préchauffage est plus long. Le programme de préchauffage augmente rapidement la température du four. La température réelle du four dépasse alors la température programmée, pour compenser la chaleur perdue à l'ouverture du four pour y introduire le plat à cuire. Ainsi, le four entame la cuisson à la température correcte après y avoir placé le plat. Placer les aliments au four lorsque le signal sonore de préchauffage retentit. Ne pas ouvrir la porte du four pendant le préchauffage tant que le signal sonore n'a pas retenti.

Température du four

En cours d'utilisation, les éléments chauffants du four s'allument et s'éteignent en alternance pour maintenir une température constante, mais leur température peut varier légèrement dans un sens ou dans l'autre du fait de cette alternance. L'ouverture de la porte du four en cours d'utilisation laisse échapper l'air chaud et refroidit le four, ce qui peut modifier la durée nécessaire et le résultat de la cuisson. Pour suivre l'avancement de la cuisson, il est conseillé d'utiliser l'éclairage du four.

REMARQUE : Sur les modèles équipés d'une fonction de convection, le ventilateur de convection peut tourner dans le mode de cuisson sans convection pour améliorer la performance du four.

Système de gestion de la température

Le système de gestion de la température contrôle électroniquement les niveaux de température du four durant le préchauffage et la cuisson afin de maintenir une gamme précise de températures pour des résultats de cuisson optimaux. Les éléments de cuisson au four et au gril ou les brûleurs s'allument et s'éteignent en alternance. Pour les cuisinières à convection, le ventilateur fonctionne pendant le préchauffage et peut s'allumer et s'éteindre pendant de courts intervalles dans le mode Bake (cuisson au four) afin de produire un meilleur résultat. Cette caractéristique est automatique lorsque le four est utilisé.

Avant la cuisson au four et le rôtissage, placer les grilles comme indiqué à la section « Positionnement des grilles et des ustensiles de cuisson au four ». Lors du rôtissage, il n'est pas nécessaire d'attendre la fin du programme de préchauffage du four avant de placer les aliments, sauf si la recette le recommande.

Broiling (cuisson au gril)

Pour la cuisson au gril, préchauffer le four pendant 2 minutes avant d'y placer des aliments, à moins que la recette ne recommande autre chose. Placer l'aliment sur la grille de la lèchefrite, puis placer celle-ci au centre de la grille du four.

IMPORTANT : Fermer la porte pour une température de cuisson au gril adéquate.

Le changement de température lors de la cuisson au gril permet un contrôle plus précis de la cuisson. Plus le réglage du gril est bas, plus la cuisson est lente. Les morceaux épais et de forme irrégulière de viande, de poisson et de volaille cuisent mieux à des réglages de gril plus bas. Utiliser les grilles 6 ou 7 pour la cuisson au gril. Consulter la section "Positionnement des grilles et ustensiles de cuisson" pour plus d'informations.

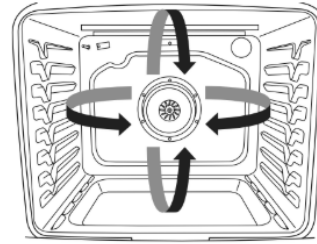
À des réglages inférieurs, l'élément de cuisson au gril s'allume et s'éteint par intermittence afin de maintenir une température adéquate.

- Pour de meilleurs résultats, utiliser une lèchefrite et une grille - elles sont conçues pour laisser s'écouler les jus et aider à éviter les éclaboussures et la fumée.

Il est possible de commander une lèchefrite. Consulter le Guide de démarrage rapide pour obtenir les coordonnées.

Cuisson par convection

Dans un four à convection, l'air chaud que fait circuler le ventilateur répartit plus uniformément la chaleur que le mouvement naturel de l'air dans un four thermique standard. Ce déplacement d'air chaud contribue à maintenir une température constante dans tout le four, qui permet de cuire les aliments plus uniformément, de dorer leur surface tout en conservant leur humidité naturelle et de donner des pains plus croustillants.



Durant la cuisson ou le rôtissage par convection, les éléments de cuisson au four, cuisson au gril et de convection s'allument et s'éteignent par intermittence tandis que le ventilateur fait circuler l'air chaud. Durant la cuisson au gril par convection, les éléments de cuisson au gril et de convection s'allument et s'éteignent par intermittence.

Si la porte du four est ouverte durant la cuisson par convection, le ventilateur s'éteint immédiatement. Il s'allume à nouveau lorsque la porte du four est fermée.

La cuisson par convection permet de cuire la majorité des aliments à une température plus basse et/ou moins longtemps qu'avec un four thermique standard. Selon le mode de cuisson sélectionné, la conversion EasyConvect™ peut réduire automatiquement la température et/ou la durée de cuisson des recettes standard pour la cuisson par convection. Si on choisit de ne pas utiliser la conversion EasyConvect™, utiliser le tableau suivant comme guide.

Mode de convection	Recommandation de durée/temp.
Cuisson au four par convection	Température plus basse de 25 °F (15 °C), réduction éventuelle du temps de cuisson
Rôtissage par convection	Temps de cuisson réduit jusqu'à 30 %
Cuisson au gril par convection	Raccourcissement du temps de cuisson

Options de cuisson par convection

Cuisson au four par convection : cuisson au four sur plusieurs grilles de biscuits, pains, plats en sauce, tartes, tourtes et gâteaux.

Rôtissage par convection : poulets ou dindes entiers, légumes, rôtis de porc, rôtis de boeuf.

Cuisson au gril par convection : morceaux plus épais ou inégaux de viande, de poisson ou de volaille.

Panier à friture à l'air

Un des éléments qui rend la friture à l'air si efficace pour rendre les aliments croustillants est le panier perforé conçu pour la friture à l'air. Le panier à friture à l'air permet à l'air chaud de bien circuler sur toute la surface des aliments.

Lorsque la fonction Air Fry (friture à l'air) est utilisée, placer le panier de friture à l'air sur une grande plaque à pâtisserie pour ramasser les miettes, l'huile et réduire la production de fumée. Placer le panier et la plaque au milieu du four pour augmenter la circulation d'air. Consulter la section Positionnement des grilles et ustensiles pour plus de détails. Éviter d'utiliser plus d'un panier pour éviter la cuisson irrégulière.

Air Fry (friture à l'air)

IMPORTANT : La durée de cuisson, les températures et les instructions générales peuvent être différentes selon la recette.

Durant l'utilisation de la friture à l'air, les éléments de chauffage et le ventilateur de convection s'allument et s'éteignent par intermittence pour maintenir la température du four tandis que le ventilateur fait circuler l'air chaud. Fermer la porte du four pour une température de cuisson adéquate.

La friture à l'air dans un grand four permet de simultanément frire à l'air une grande quantité d'aliments, mais il faut s'attendre à une plus longue durée de cuisson.

- Lors de l'utilisation de la friture à l'air, les aliments doivent être disposés en une seule couche et espacés uniformément.
- Consulter les instructions sur l'emballage des aliments pour connaître la durée et la température de cuisson par friture à l'air dans un four conventionnel.
- Pour des recettes avec des aliments frais dont la durée de cuisson dépasse 30 minutes, un préchauffage de 5 à 10 minutes peut améliorer le rendement.
- Pour les aliments surgelés, avec os ou épais dont la durée de cuisson est inférieure à 15 minutes, une durée supplémentaire pourrait être nécessaire.
- Il n'est pas recommandé de faire frire à l'air de la pâte mouillée.
- Pour obtenir les meilleurs résultats, mélanger ou tourner les aliments à la moitié de la durée de cuisson. S'assurer de fermer la porte du four après avoir retiré les aliments.
- Vaporiser le panier à friture à l'air d'huile pour éviter que les aliments y collent.

Favorite (recette favorite)

La fonction Favorite (recette favorite) conserve le mode du four et la température de cuisson de votre recette favorite.

Sauvegarder une recette :

1. Lorsque l'on utilise le four pour la cuisson au four, la cuisson au gril, la cuisson au four par convection, la cuisson au gril par convection ou le rôtissage par convection, appuyer sur Favorite (recette favorite) pendant 3 secondes.
2. Le mode de four, la durée de cuisson et la température actuels apparaissent sur l'afficheur. La mention « **SAVED** » (enregistrée) s'affiche. La recette est désormais enregistrée.

REMARQUE : On ne peut sauvegarder qu'une recette à la fois. Quand une nouvelle recette est sauvegardée, elle remplace la recette précédemment sauvegardée.

Pour sélectionner la recette favorite :

1. Appuyer sur Favorite (recette favorite). Le mode de four et la température sauvegardés s'affichent.
REMARQUE : La fonction Recette favorite ne sauvegarde pas les durées de cuisson.
2. Appuyer sur START (mise en marche).
3. Une fois que la recette est sélectionnée, le four commence le préchauffage pour le programme réglé.
4. Pour modifier la température, appuyer sur les touches numériques pour régler la température souhaitée.
5. Appuyer sur START (mise en marche).
6. Pour modifier la durée de cuisson, appuyer sur Cook Time (durée de cuisson).
7. Utiliser les touches numériques pour régler le temps de cuisson souhaité.
8. Appuyer sur START (mise en marche).
9. Appuyer sur CANCEL (annulation) à la fin de la cuisson.

Cook Time (durée de cuisson)

Réglage d'une cuisson minutée :

1. Appuyer sur Bake (cuisson au four), Broil (cuisson au gril) ou sur Auto Convect Modes or Manual Convect Modes (modes de cuisson au four par convection automatique ou modes de cuisson par convection manuelle) jusqu'à afficher à l'écran le mode de convection souhaité.
2. Appuyer sur les touches numériques pour entrer une température autre que celle qui est affichée.
3. Appuyer sur Cook Time (durée de cuisson). Le témoin lumineux de Cook Time (durée de cuisson) du four s'allume.
4. Appuyer sur les touches numériques pour entrer la durée de cuisson.
5. Appuyer sur START (mise en marche). L'affichage présente le compte à rebours de la durée. Lorsque la durée est écoulée, le four s'éteint automatiquement.
6. Appuyer sur le bouton CANCEL (annuler) du four sélectionné pour effacer l'affichage du four.

Réglage de Delayed Timed Cook (cuisson minutée différée) :

1. Appuyer sur Bake (cuisson au four) ou Broil (cuisson au gril), ou sur Auto Convect Modes or Manual Convect Modes (modes de cuisson au four par convection automatique ou modes de cuisson par convection manuelle) jusqu'à afficher à l'écran le mode de convection souhaité.
2. Appuyer sur les touches numériques pour entrer une température autre que celle qui est affichée.
3. Appuyer sur Cook Time (durée de cuisson). Le témoin lumineux de Cook Time (durée de cuisson) du four s'allume.
4. Appuyer sur les touches numériques pour entrer la durée de cuisson.
5. Appuyer sur Delay Start (mise en marche différée).
6. Appuyer sur les touches numériques pour entrer le nombre d'heures et/ou de minutes dont on souhaite différer l'heure de mise en marche.
7. Appuyer sur START (mise en marche).

Lorsque l'heure de mise en marche est atteinte, le four s'allume automatiquement. Il est possible de modifier les réglages de température ou d'heure de mise en marche à tout moment après avoir appuyé sur Start (mise en marche) en répétant les étapes 2 à 7. Lorsque la durée de cuisson réglée s'achève, le four s'éteint automatiquement.

8. Appuyer sur le bouton CANCEL (annuler) du four sélectionné pour effacer l'affichage du four.