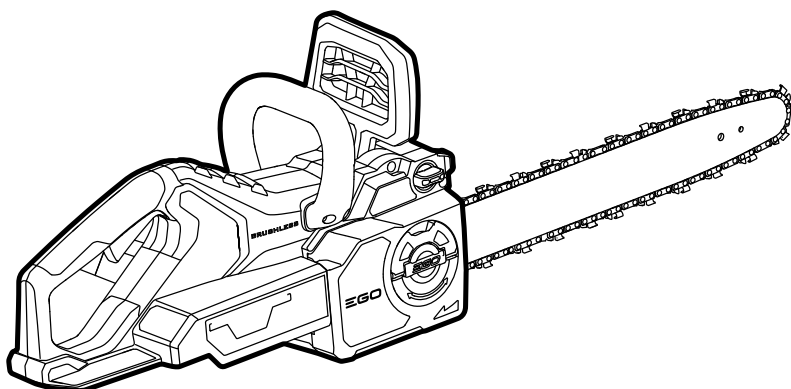


EGO™

POWER⁺ CHAIN SAW



**FILL OIL TANK WITH BAR AND
CHAIN OIL BEFORE FIRST USE**

OPERATOR'S MANUAL

56V LITHIUM-ION

CORDLESS 16" CHAIN SAW

MODEL NUMBER CS1610/CS1610-FC

Français p. 51

Español p. 105

⚠ WARNING: To reduce the risk of injury, the user must read and understand the Operator's Manual before using this product. Save these instructions for future reference.

TABLE OF CONTENTS

Safety Symbols	4
Safety Instructions.....	5-17
Glossary of Terms	18
Introduction	19
Specifications	20
Packing List.....	20
Description	21-23
Assembly	24
Operation	25-35
Maintenance	36-45
Troubleshooting.....	46-47
Warranty	48-49

READ ALL INSTRUCTIONS!



READ & UNDERSTAND
INSTRUCTION MANUAL

⚠ WARNING: Some dust created by power cutting contains chemicals known to the state of California to cause cancer, birth defects or other reproductive harm. Some examples of these chemicals are:

- Lead from lead-based paints
- Crystalline silica from bricks and cement and other masonry products, and
- Arsenic and chromium from chemically-treated lumber.

Your risk from these exposures varies, depending on how often you do this type of work. To reduce your exposure to these chemicals: work in a well ventilated area, and work with approved safety equipment, such as those dust masks that are specially designed to filter out microscopic particles.

SAFETY SYMBOLS

The purpose of safety symbols is to attract your attention to possible dangers. The safety symbols and the explanations with them deserve your careful attention and understanding. The symbol warnings do not, by themselves, eliminate any danger. The instructions and warnings they give are no substitutes for proper accident prevention measures.

⚠ WARNING: Be sure to read and understand all safety instructions in this Operator's Manual, including all safety alert symbols such as "**DANGER**," "**WARNING**," and "**CAUTION**" before using this tool. Failure to following all instructions listed below may result in electric shock, fire, and/or serious personal injury.

SYMBOL MEANING

⚠ SAFETY ALERT SYMBOL: Indicates **DANGER**, **WARNING**, OR **CAUTION**. May be used in conjunction with other symbols or pictographs.




⚠ WARNING! The operation of any power tools can result in foreign objects being thrown into your eyes, which can result in severe eye damage. Before beginning power tool operation, always wear safety goggles or safety glasses with side shield and a full face shield when needed. We recommend a Wide Vision Safety Mask for use over eyeglasses or standard safety glasses with side shields. Always use eye protection which is marked to comply with ANSI Z87.1.

SAFETY INSTRUCTIONS

This page depicts and describes safety symbols that may appear on this product. Read, understand, and follow all instructions on the machine before attempting to assemble and operate.

	Safety Alert	Indicates a potential personal injury hazard.
	Read & Understand Operator's Manual	To reduce the risk of injury, user must read and understand the operator's manual before using this product.
	Wear Eye Protection	Always wear safety goggles or safety glasses with side shields and a full face shield when operating this product.
	Wear Ear Protection	Chain saw noise may damage your hearing. Always wear sound barriers (ear plugs or ear muffs) to protect your hearing.
	Wear Head Protection	Wear an approved safety hard hat to protect your head.
	Wear Protective Gloves	Protect your hands with gloves when handling saw and saw chain. Heavy-duty, nonslip gloves improve your grip and protect your hands.
	Guide bar tip kickback	Tip contact can cause the guide bar to move suddenly upward and backward, which can cause serious injury.
	Two handed hold	Always use two hands when operating the chain saw

IPX4	Ingress Protection Degree	Protection from splashing water
	Direct Current	Type or a characteristic of current
V	Volt	Voltage
mm	Millimeter	Length or size
in.	Inch	Length or size
kg	Kilogram	Weight
lb	Pound	Weight
ml	Milliliter	Volume
fl.oz	Fluid Ounce	Volume
°C	Degrees Celsius	Temperature
°F	Degrees Fahrenheit	Temperature

GENERAL POWER TOOL SAFETY WARNINGS

⚠ WARNING! Read all safety warnings, instructions, illustrations and specifications provided with this power tool. Failure to follow all instructions listed below may result in electric shock, fire and/or serious injury.

SAVE ALL WARNINGS AND INSTRUCTIONS FOR FUTURE REFERENCE.

The term "power tool" in the warnings refers to your mains-operated (corded) power tool or battery-operated (cordless) power tool.

Work area safety

- **Keep work area clean and well lit.** Cluttered or dark areas invite accidents.
- **Do not operate power tools in explosive atmospheres, such as in the presence of flammable liquids, gases or dust.** Power tools create sparks which may ignite the dust or fumes.
- **Keep children and bystanders away while operating a power tool.** Distractions can cause you to lose control.

Electrical safety

- **Power tool plugs must match the outlet. Never modify the plug in any way. Do not use any adapter plugs with earthed (grounded) power tools.** Unmodified plugs and matching outlets will reduce risk of electric shock.
- **Avoid body contact with earthed or grounded surfaces, such as pipes, radiators, ranges and refrigerators.** There is an increased risk of electric shock if your body is earthed or grounded.
- **Do not expose power tools to rain or wet conditions.** Water entering a power tool will increase the risk of electric shock.
- **Do not abuse the cord. Never use the cord for carrying, pulling or unplugging the power tool. Keep cord away from heat, oil, sharp edges or moving parts.** Damaged or entangled cords increase the risk of electric shock.
- **When operating a power tool outdoors, use an extension cord suitable for outdoor use.** Use of a cord suitable for outdoor use reduces the risk of electric shock.
- **If operating a power tool in a damp location is unavoidable, use a ground fault circuit interrupter (GFCI) protected supply.** Use of a GFCI reduces the risk of electric shock.

Personal safety

- **Stay alert, watch what you are doing and use common sense when operating a power tool. Do not use a power tool while you are tired or under the influence of drugs, alcohol or medication.** A moment of inattention while operating power tools may result in serious personal injury.
- **Use personal protective equipment. Always wear eye protection.** Protective equipment such as a dust mask, non-skid safety shoes, hard hat or hearing protection used for appropriate conditions will reduce personal injuries.
- **Prevent unintentional starting. Ensure the switch is in the off-position before connecting to power source and/or battery pack, picking up or carrying the tool.** Carrying power tools with your finger on the switch or energising power tools that have the switch on invites accidents.
- **Remove any adjusting key or wrench before turning the power tool on.** A wrench or a key left attached to a rotating part of the power tool may result in personal injury.
- **Do not overreach. Keep proper footing and balance at all times.** This enables better control of the power tool in unexpected situations.
- **Dress properly. Do not wear loose clothing or jewellery. Keep your hair, and clothing away from moving parts.** Loose clothes, jewellery or long hair can be caught in moving parts.
- **If devices are provided for the connection of dust extraction and collection facilities, ensure these are connected and properly used.** Use of dust collection can reduce dust-related hazards.
- **Do not let familiarity gained from frequent use of tools allow you to become complacent and ignore tool safety principles.** A careless action can cause severe injury within a fraction of a second.

Power tool use and care

- **Do not force the power tool. Use the correct power tool for your application.** The correct power tool will do the job better and safer at the rate for which it was designed.
- **Do not use the power tool if the switch does not turn it on and off.** Any power tool that cannot be controlled with the switch is dangerous and must be repaired.

- **Disconnect the plug from the power source and/or remove the battery pack, if detachable, from the power tool before making any adjustments, changing accessories, or storing power tools.** Such preventive safety measures reduce the risk of starting the power tool accidentally.
- **Store idle power tools out of the reach of children and do not allow persons unfamiliar with the power tool or these instructions to operate the power tool.** Power tools are dangerous in the hands of untrained users.
- **Maintain power tools and accessories. Check for misalignment or binding of moving parts, breakage of parts and any other condition that may affect the power tool's operation. If damaged, have the power tool repaired before use.** Many accidents are caused by poorly maintained power tools.
- **Keep cutting tools sharp and clean.** Properly maintained cutting tools with sharp cutting edges are less likely to bind and are easier to control.
- **Use the power tool, accessories and tool bits etc. in accordance with these instructions, taking into account the working conditions and the work to be performed.** Use of the power tool for operations different from those intended could result in a hazardous situation.
- **Keep handles and grasping surfaces dry, clean and free from oil and grease.** Slippery handles and grasping surfaces do not allow for safe handling and control of the tool in unexpected situations.

Battery tool use and care

- **Recharge only with the charger specified by the manufacturer.** A charger that is suitable for one type of battery pack may create a risk of fire when used with another battery pack.
- **Use power tools only with specifically designated battery packs.** Use of any other battery packs may create a risk of injury and fire.
- **When battery pack is not in use, keep it away from other metal objects, like paper clips, coins, keys, nails, screws or other small metal objects, that can make a connection from one terminal to another.** Shorting the battery terminals together may cause burns or a fire.
- **Under abusive conditions, liquid may be ejected from the battery; avoid contact. If contact accidentally occurs, flush with water. If liquid contacts eyes, additionally seek medical help.** Liquid ejected from the battery may cause irritation or burns.

- **Do not use a battery pack or tool that is damaged or modified.** Damaged or modified batteries may exhibit unpredictable behaviour resulting in fire, explosion or risk of injury.
- **Do not expose a battery pack or tool to fire or excessive temperature.** Exposure to fire or temperature above 265 °F may cause explosion.
- **Follow all charging instructions and do not charge the battery pack or tool outside the temperature range specified in the instructions.** Charging improperly or at temperatures outside the specified range may damage the battery and increase the risk of fire.

Service

- **Have your power tool serviced by a qualified repair person using only identical replacement parts.** This will ensure that the safety of the power tool is maintained.
- **Never service damaged battery packs.** Service of battery packs should only be performed by the manufacturer or authorized service providers

CHAIN SAW SAFETY WARNINGS

- **Keep all parts of the body away from the saw chain when the chain saw is operating. Before you start the chain saw, make sure that the saw chain is not contacting anything.** A moment of inattention while operating chain saws may cause entanglement of your clothing or body with the chain.
- **Always hold the chain saw with your right hand on the rear handle and your left hand on the front handle.** Holding the chain saw with a reversed hand configuration increases the risk of personal injury and should never be done.
- **Hold the chain saw by insulated gripping surfaces only, because the saw chain may contact hidden wiring or its own cord.** Saw chains contacting a "live" wire may make exposed metal parts of the chain saw "live" and could give the operator an electric shock.
- **Wear eye protection. Further protective equipment for hearing, head, hands, legs and feet is recommended.** Adequate protective equipment will reduce personal injury from flying debris or accidental contact with the saw chain.
- **Do not operate a chain saw in a tree, on a ladder, from a rooftop, or any unstable support.** Operation of a chain saw in this manner could result in serious personal injury.

- **Always keep proper footing and operate the chain saw only when standing on fixed, secure and level surface.** Slippery or unstable surfaces may cause a loss of balance or control of the chain saw.
- **When cutting a limb that is under tension, be alert for spring back.** When the tension in the wood fibres is released, the spring loaded limb may strike the operator and/or throw the chain saw out of control.
- **Use extreme caution when cutting brush and saplings.** The slender material may catch the saw chain and be whipped toward you or pull you off balance.
- **Carry the chain saw by the front handle with the chain saw switched off and away from your body. When transporting or storing the chain saw, always fit the guide bar cover.** Proper handling of the chain saw will reduce the likelihood of accidental contact with the moving saw chain.
- **Follow instructions for lubricating, chain tensioning and changing the bar and chain.** Improperly tensioned or lubricated chain may either break or increase the chance for kickback.
- **Cut wood only. Do not use chain saw for purposes not intended. For example: do not use chain saw for cutting metal, plastic, masonry or non-wood building materials.** Use of the chain saw for operations different than intended could result in a hazardous situation.
- **Do not attempt to fell a tree until you have an understanding of the risks and how to avoid them.** Serious injury could occur to the operator or bystanders while felling a tree.

CAUSES AND OPERATOR PREVENTION OF KICKBACK

- Kickback may occur when the nose or tip of the guide bar touches an object, or when the wood closes in and pinches the saw chain in the cut.
- Tip contact in some cases may cause a sudden reverse reaction, kicking the guide bar up and back towards the operator.
- Pinching the saw chain along the top of the guide bar may push the guide bar rapidly back towards the operator.
- Either of these reactions may cause you to lose control of the saw, which could result in serious personal injury. Do not rely exclusively upon the safety devices built into your saw. As a chain saw user, you should take several steps to keep your cutting jobs free from accident or injury.

- Kickback is the result of tool misuse and/or incorrect operating procedures or conditions and can be avoided by taking proper precautions as given below:
- **Maintain a firm grip, with thumbs and fingers encircling the chain saw handles, with both hands on the saw and position your body and arm to allow you to resist kickback forces.** Kickback forces can be controlled by the operator, if proper precautions are taken. Do not let go of the chain saw.
- **Do not overreach and do not cut above shoulder height.** This helps prevent unintended tip contact and enables better control of the chain saw in unexpected situations.
- **Only use replacement bars and chains specified by the manufacturer.** Incorrect replacement bars and chains may cause chain breakage and/or kickback
- **Follow the manufacturer's sharpening and maintenance instructions for the saw chain.** Decreasing the depth gauge height can lead to increased kickback.

KICKBACK SAFETY DEVICES ON THIS CHAIN SAW

Chain Brake

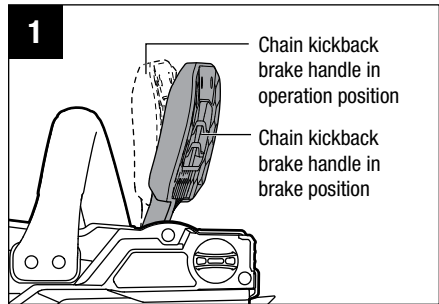
The chain saw comes equipped with a chain brake, which stops both the motor and the motion of the chain when kickback occurs. The chain brake can be activated by the forward motion of the chain kickback brake handle as the saw rotates backward during kickback.

⚠ WARNING: Never modify or attempt to disable the chain brake.

Make sure that the chain brake is working properly before using the chain saw. The chain kickback brake handle should move back and forth easily.

To test the operation of the chain brake, perform the following steps (Fig. 1):

- Place the chain saw on a flat bare surface and make sure no objects or obstructions that could come in contact with the bar and chain are in the immediate vicinity.
- Disengage the chain brake by pulling the chain kickback brake handle towards the front handle.
- Start the chain saw.
- Push the chain kickback brake handle towards the front of the saw. A properly functioning hand brake will stop the movement of the chain immediately. If the chain brake is not working properly, do not use the chain saw until it has been repaired by a qualified service technician.



⚠ WARNING: Confirm that the chain brake works properly before each use.

⚠ WARNING: If the chain brake is clogged with wood chips, the function of the chain brake may deteriorate. Always keep the device clean.

Low Kickback Saw Chain

The rakers (depth gauges) ahead of each cutter can minimize the force of a kickback reaction by preventing the cutters from digging in too deeply at the kickback zone. Only use a replacement chain that is equivalent to the original chain or has been certified as a low kickback chain per ANSI B175.1. A low kickback tooth saw chain is a chain that

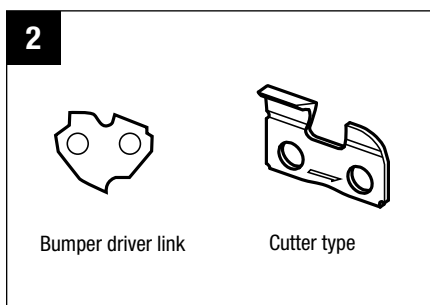
has met the kickback performance requirements of ANSI B175.1 (American National Standard for Power Tools - Gasoline-Powered Chain Saws-Safety Requirements) when tested on the representative sample of chain saws below 3.8 c.i.d. specified in ANSI B175.1.

The bumper drive link (Fig. 2) also helps deliver low-kickback performance.

⚠ CAUTION: As saw chains are sharpened during their useful life, they lose some of the low kickback qualities and extra caution should be used.

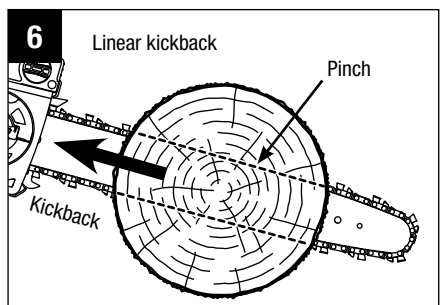
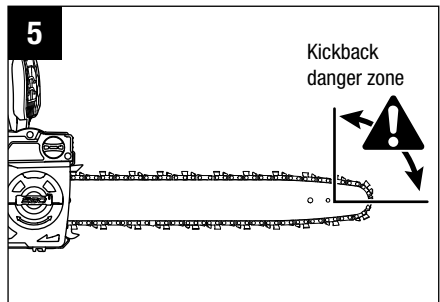
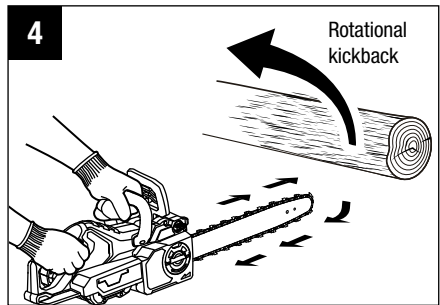
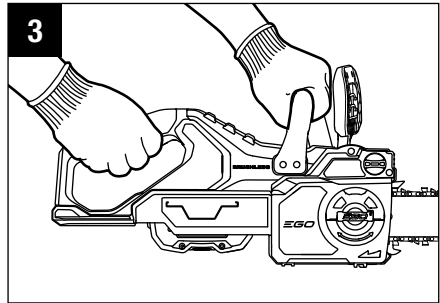
GUIDE BAR

This saw comes equipped with a guide bar that has a small radius nose. Small radius noses generally have less potential for kickback. When replacing the guide bar, please order the guide bar we recommend in this manual or the guide bar with the correct specification with regarding to this product.



ADDITIONAL WARNINGS

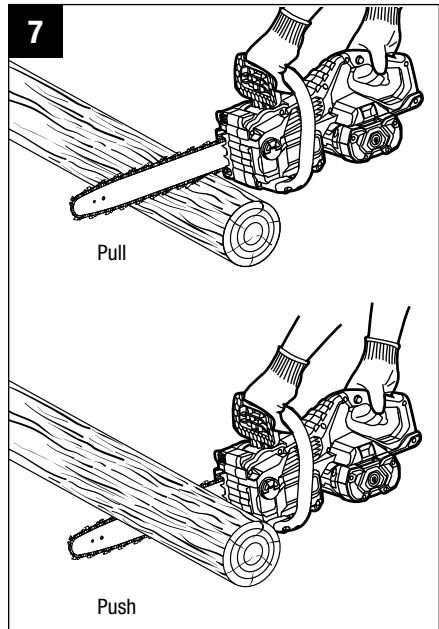
- **A chain saw is intended for two-handed use (Fig. 3).** Serious injury to the operator, helpers, and/or bystanders can result from one-handed operation.
- **Make sure that the area in which you are cutting is free from obstructions.** Do not let the nose of the guide bar contact a log, branch, fence, or any other obstruction that could be hit while you are operating the saw.
- **Always cut with the unit running at full speed.** Fully squeeze the switch trigger and maintain cutting speed.
- **With a basic understanding of kickback, you can reduce or eliminate the element of surprise (Fig.4 – Fig. 6).** Sudden surprise contributes to accidents.
- **Keep proper footing and balance at all times.**
- **Avoid unintentional contact with the stationary saw chain or guide bar rails.** These can be very sharp. Always wear gloves and long pants or chaps when handling the chain saw, saw chain, or guide bar.
- **Never operate a chain saw that is damaged or improperly adjusted or that is not completely and securely assembled.** Be sure that the saw chain stops moving when the trigger switch is released.



- **Inspect the work piece for nails, wire, or other foreign objects prior to cutting. When bucking, secure the work piece prior to cutting. When felling or pruning, identify and secure hazardous branches.**
- **Aggressive or abusive cutting or misuse of the chain saw can cause premature bar, chain, and/or sprocket wear, as well as a broken chain or bar, leading to kickback, chain throw or the ejection of material.**
- **Never use the guide bar as a lever.** A bent guide bar can cause premature bar, chain, and/ or sprocket wear, as well as a broken chain or bar, leading to kickback, chain throw or the ejection of material.

Cut only one work piece at a time.

- **Push and Pull** – The reaction force is always opposite to the direction the chain is moving where wood contact is made. Thus, the operator must be ready to control the PULL when cutting on the bottom edge of the bar, and the PUSH when cutting along the top edge. See Fig 7.
- **Plan the work, ensuring an obstacle-free work area and, in the case of felling, at least one escape path from the falling tree.**
- **When felling, keep bystanders at least two tree lengths away.**
- **Do not incinerate the appliance even if it is severely damaged.**
The batteries can explode in a fire.



- **Use only with the battery packs and chargers listed below:**

BATTERY PACK	CHARGER
BA1400, BA1400-FC, BA2800, BA2800-FC, BA4200, BA4200-FC, BA1400T, BA1400T-FC, BA2240T, BA2240T-FC, BA2242T, BA2242T-FC, BA2800T, BA2800T-FC, BA4200T, BA4200T-FC, BA5600T, BA5600T-FC, BA6720T, BA6720T-FC	CH2100, CH2100-FC, CH5500, CH5500-FC, CH2800D, CH2800D-FC, CH7000, CH7000-FC, CH3200, CH3200-FC

- **Do not charge the battery pack in rain or in wet locations.**
- **Do not expose a battery pack or tool to fire or excessive temperature. Exposure to fire or temperature above 212 °F (100°C) may cause explosion.**
- **If situations occur which are not covered in this manual, use care and good judgment. Contact EGO Customer Service for assistance.**

SAVE THESE INSTRUCTIONS!

GLOSSARY OF TERMS

Automatic Oiler: A system that automatically lubricates the guide bar and saw chain.

Bucking: The process of cross-cutting a felled tree or log into lengths.

Bucking Spikes: The pointed tooth or teeth for use when felling or bucking to pivot the saw and maintain position while sawing.

Chain Brake: A device used to stop the saw chain immediately.

Chain Saw Power Head: A chain saw without the saw chain or guide bar.

Drive Sprocket: The toothed part that drives the saw chain.

Felling: The process of cutting down a tree.

Felling Back Cut: The final cut in a tree felling operation made on the opposite side of the tree from the notching undercut.

Kickback: The backward or upward motion, or both, of the guide bar, which occurs when the saw chain near the nose of the top area of the guide bar contacts any object, such as a log or branch, or when the wood closes in and pinches the saw chain in the cut.

Low-Kickback Chain: A chain that complies with the kickback performance requirements of ANSI B175.1 when tested on a representative sample of chain saws.

Normal Cutting Position: Those positions assumed in performing bucking and felling cuts.

Notching Undercut: A notch cut in a tree that directs the tree's fall.

Reduced Kickback Guide Bar: A guide bar that has been demonstrated to reduce kickback significantly.

INTRODUCTION

Congratulations on your selection of the new generation of 56V Lithium-ion battery powered chain saw. It has been designed, engineered and manufactured to give you the best possible dependability and performance.

Should you experience any problem you cannot easily remedy, please contact EGO customer service center 1-855-EGO-5656.


This manual contains important information on to the safe assembly, operation and maintenance of your chain saw. Read it carefully before using the chain saw.

Keep this manual handy so you can refer to it at any time.

SERIAL NUMBER _____ DATE OF PURCHASE _____

YOU SHOULD RECORD BOTH SERIAL NUMBER AND DATE OF PURCHASE AND KEEP IN A SAFE PLACE FOR FUTURE REFERENCE

SPECIFICATIONS

Voltage	56V 
Guide Bar Length	16" (400mm)
Chain Pitch	3/8" (9.5mm)
Chain Gauge	0.043" (1.1mm)
Chain Type	AC1600
Guide Bar Type	AG1600
Number of drive links	56
Chain Oil Tank capacity	5 oz. (150 ml)
Operating Temperature	5°F-104°F(-15°C-40°C)
Storage Temperature	-4°F-158°F(-20°C-70°C)
Net Weight (Without battery pack, chain sheath)	9.0 lbs. (4.1 kg)

Recommended Bar and Chain for this Chain Saw

PART NAME	MODEL NUMBER
Saw chain	AC1600/AC1400
Guide bar	AG1600/AG1400

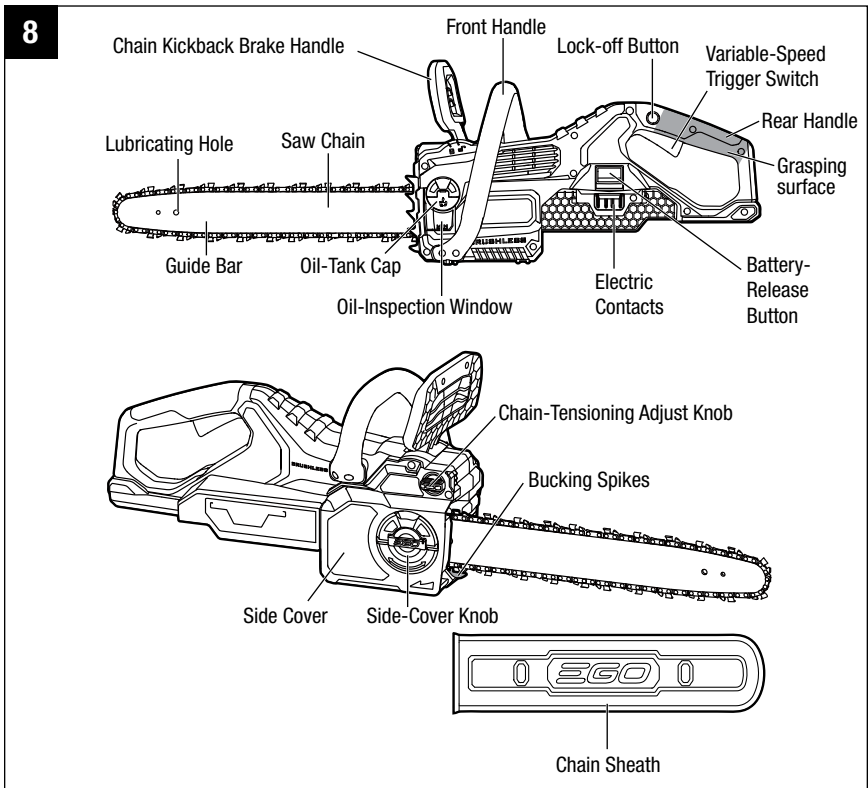
PACKING LIST

PART NAME	QUANTITY
Chain saw	1
Chain sheath	1
Operator's manual	1

DESCRIPTION

KNOW YOUR CHAIN SAW (Fig. 8)

The safe use of this product requires an understanding of the information on the tool and in this operator's manual, as well as knowledge of the project you are attempting. Before using this product, familiarize yourself with all operating features and safety rules.



Chain Kickback Brake Handle

Serves as the lever for chain brake activation. It also provides protection against projecting branches and helps prevent the left hand from touching the saw chain if it slips off the front handle.

Variable-Speed Trigger Switch

Turns the chain saw On and Off and adjusts the chain speed.

Lock-off Button

Helps to prevent accidental or unauthorized activation of the variable-speed trigger switch. It must be depressed before the variable-speed trigger switch can be activated.

Oil-Tank Cap

Seals the oil tank.

Oil-Inspection Window

Provides a view of the oil level.

Guide Bar

Supports and guides the saw chain.

Chain Sheath

The chain sheath keeps the operator from coming in contact with the sharp chain teeth when the tool is not in use. It also helps keep the chain teeth from being nicked or damaged when the tool is being transported or stored.

Saw Chain

A loop of chain having cutting teeth that cut the wood when it is driven by the power head and supported by the guide bar.

Front Handle

The support handle for the left hand at the front of the saw.

Rear Handle

The support handle for the right hand, located at the rear of the saw. Always hold the chain saw with your right hand on the rear handle and your left hand on the front handle.

Chain-Tensioning Adjust Knob

Permits precise adjustment of chain tension without auxiliary device assistance.

Side Cover

Covers the chain sprocket and secures the guide bar

Side-Cover Knob

Locks/unlocks the side cover

Battery-Release Button

Press to release the battery pack from the tool.

Bucking Spikes

The pointed metal teeth for use when felling or bucking to pivot the chain saw and maintain position, preventing lumber sliding while sawing. It can improve the cutting efficiency.

ASSEMBLY

⚠ WARNING: If any parts are damaged or missing, do not operate this product until those parts are replaced. Use of this product with damaged or missing parts could result in serious personal injury.

⚠ WARNING: Do not attempt to modify this product or create accessories not recommended for use with this chain saw. Any such alteration or modification is misuse and could result in a hazardous condition leading to possible serious personal injury.

⚠ WARNING: To prevent accidental starting that could cause serious personal injury, always disconnect the power plug from the product when assembling parts, making adjustments, cleaning, or when not in use.

UNPACKING

This product has been shipped completely assembled.

- Carefully remove the product and any accessories from the box. Make sure that all items listed in the packing list are included.
- Inspect the tool carefully to make sure that no breakage or damage occurred during shipping.
- Do not discard the packing material until you have carefully inspected and satisfactorily operated the tool.
- If any parts are damaged or missing, please contact EGO Customer Service for assistance.

OPERATION

⚠ WARNING: Do not allow familiarity with this product to make you careless. Remember that a careless fraction of a second is sufficient to inflict serious injury.

⚠ WARNING: Always wear eye protection that is marked to comply with ANSI Z87.1. Failure to do so could result in objects being thrown into your eyes and other possible serious injuries.

⚠ WARNING: Do not use any attachments or accessories not recommended by the manufacturer of this product. The use of attachments or accessories not recommended can result in serious personal injury.

Before each use, inspect the entire product for damaged, missing, or loose parts such as screws, nuts, bolts, etc. Securely tighten all fasteners and caps and do not operate this product until all missing or damaged parts are replaced.

APPLICATION

You may use this product for basic felling, limbing, pruning, and woodcutting of lumber and trees.

FILLING OILTANK WITH BAR AND CHAIN OIL

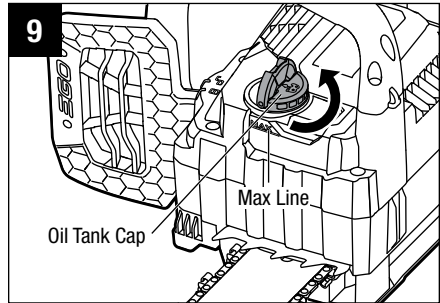
⚠ WARNING: To prevent accidental starting that could cause serious personal injury, always remove the battery pack from the tool before filling the tank with oil.

⚠ WARNING: Do not smoke or bring any fire or flame near the oil or the chain saw. Oil may spill and cause a fire.

NOTICE: The chain saw is not filled with oil at the time of purchase. It is essential to fill the tank with oil before use. Operating the chain saw without chain oil or when the oil level is below the minimum mark will result in damage to the chain saw. Chain life and cutting capacity depend on optimum lubrication. The chain is automatically lubricated with chain oil during operation.

1. Remove the battery pack from the chain saw.
2. Clean the oil-tank cap and the area around it to ensure that no dirt falls into the oil tank.

3. Position the chain saw on its side on a firm, flat surface, so that the tank cap is facing upwards. Lift up the semicircular tab. Grasp the tab and rotate the oil-tank cap counterclockwise to remove it (Fig. 9).
4. Carefully pour the bar and chain oil into the tank. Fill to the MAX line, wipe off any excess oil.
5. Replace the cap. Make sure the oil-tank cap is tightly secured in place.

**NOTICE:**

- Never use oil or other lubricants not specifically designed for use on the bar and chain. This can lead to a clogged oil system, which may cause premature wear of the bar and chain.
- Check the oil level frequently and fill when the oil level falls below the minimum line. Never operate the chain saw if the oil is not visible.
- Do not use dirty, used or otherwise contaminated oil. Damage may occur to the bar or chain.
- It is normal for oil to seep from the saw when it is not in use. To prevent seepage, empty the oil tank after each use, and then run the saw for one minute. When storing the tool for a long period of time, be sure the chain is lightly lubricated. This will prevent rust on the chain and bar sprocket.
- To preserve natural resources, please recycle or dispose of oil properly. Consult your local waste authority for information regarding available recycling and disposal options.

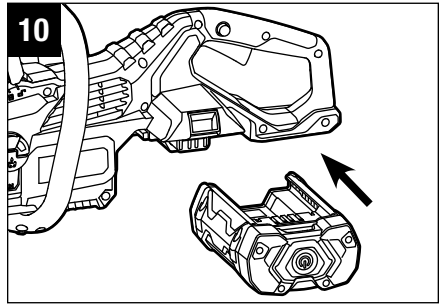
INSTALLING/REMOVING BATTERY PACK (Fig. 10 & 11)

NOTE: Fully charge the battery pack before its first use.

To Install (Fig. 10)

1. Align the ribs of the battery pack with the mounting slots in the chain saw's battery port.
2. Slide the battery pack into the tool until it audibly snaps into position.

NOTICE: Make sure that the latch on the chain saw snaps into place and the battery pack is secured to the tool before beginning operation.

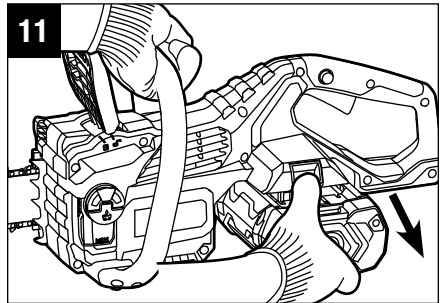


To Remove (Fig. 11)

⚠ WARNING: Always be aware of the location of your feet, children, or pets when pressing the battery-release button.

NEVER remove the battery pack at a high position. Serious injury could result if the battery pack falls.

1. Hold the battery pack in the palm of your hand.
2. Press the battery release button with your thumb to disengage the battery pack from the latch.
3. Grasp the battery pack and remove it from the chain saw.



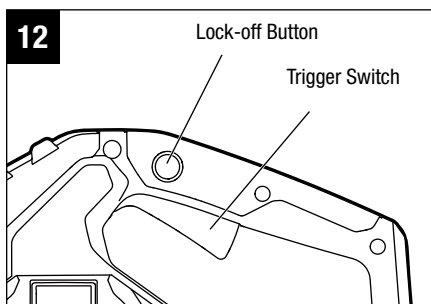
STARTING/STOPPING THE CHAIN SAW

Before Starting the Chain Saw:

1. Remove the battery pack.
2. Make sure that the chain is properly mounted and correctly tensioned. If the tension requires adjustment, refer to the chapter **“Adjusting the Chain Tension”** in the **“Maintenance”** section of this manual for adjustment instructions.
3. Check the tension of the side-cover knob before use. If it is loose, securely tighten the side-cover knob by turning it clockwise.
4. Check the oil level and fill the tank as needed.
5. Check the cutting teeth sharpness of the saw chain.
6. Make sure the chain kickback brake handle moves easily to the brake position and forth easily between the brake position and the operating position.
7. Hold the chain saw with both hands: with the right hand on the rear handle and the left hand on the front handle.
8. Stand upright, hold the chain saw in a relaxed position, and make sure the saw chain is not touching the ground or any other objects.
9. Make sure that you have a secure and balanced footing. Watch out for obstacles such as tree stumps, roots and ditches, which could cause you to trip or stumble.

To Start the Chain Saw (Fig. 12)

1. Install the battery pack.
2. Make sure no objects or obstructions are in the immediate vicinity which could come in contact with the bar and chain.
3. Pull the chain kickback brake handle towards the front handle to the operating position (Fig. 1).
4. Grasp the front and rear handles firmly, using both hands.



5. Press and hold the lock-off button with the thumb of your right hand, then squeeze the variable-speed trigger switch with the fingers of your right hand to start the saw.
6. Release the lock-off button and continue to squeeze the variable-trigger switch for continued operation.

To Stop the Chain Saw

1. Move the chain saw away from cutting area, and then release the variable-speed trigger switch to stop the chain saw.
2. Push the chain kickback brake paddle forward to the brake position to engage the chain brake (Fig. 1).

⚠ WARNING: Always remove the battery pack from the chain saw during work breaks and after finishing work.

PREPARATION FOR CUTTING

Refer to “**Important Safety Instructions**” section earlier in this manual for appropriate safety equipment.

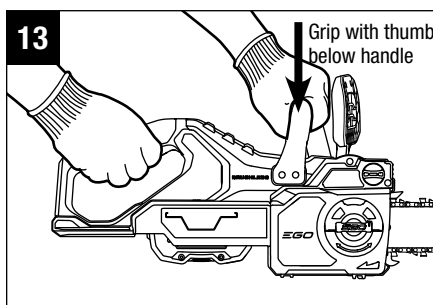
Work Area Precautions

- Cut only wood or materials made from wood. Do not cut sheet metal, plastics, masonry, or non-wood building materials.
- Never allow children to operate the chain saw.
- Allow no person to use this chain saw who has not read this Operator's Manual or received adequate instructions for the safe and proper use of this chain saw.
- When felling a tree, keep everyone - helpers, bystanders, children, and animals - a safe distance from the cutting area. During felling operations, the safe distance should be a least twice the height of the largest trees in the felling area. During bucking operations, keep a minimum distance of 15 feet (4.5 m) between workers. Trees should not be felled in a manner that would endanger any person, strike any utility line or cause any property damage. If a tree does make contact with any utility line, stay clear of the tree and the line and notify the utility company immediately.
- Always cut with both feet on solid ground to prevent being pulled off balance.
- Do not cut above chest height, as a saw held higher is difficult to control against kickback forces.

- Do not fell trees near electrical wires or buildings.
- Cut only when visibility and light are adequate for you to see clearly.

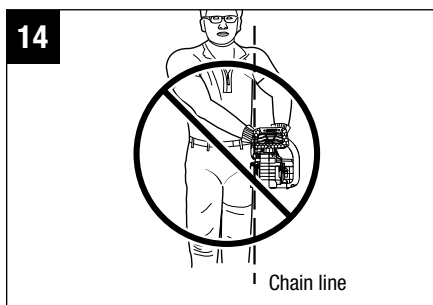
Proper Grip On Handles

- Wear non-slip gloves for maximum grip and protection.
- With the saw on a firm, flat surface, hold the saw firmly with both hands.
- Always grasp the front handle with the left hand and the rear handle with the right hand.
- The fingers should encircle the handle, with the thumb wrapped under the front handle (Fig. 13).



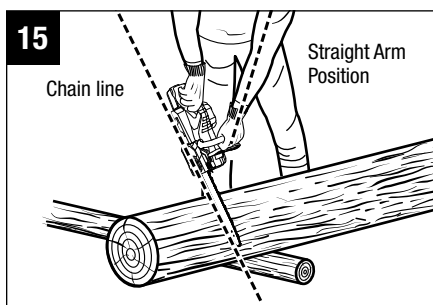
⚠ WARNING: Never use a left-handed (cross-handed) grip, or any stance which would place your body or arm across the chain line.

⚠ WARNING: Do not operate the variable-speed trigger switch with your left hand and hold the front handle with your right hand. Never allow any part of your body to be in the chain line while operating a chain saw (Fig. 14).



Proper Cutting Stance (Fig. 15)

- Both feet should be on solid ground, with weight evenly spread between them.
- The left arm should be straight, with the elbow locked. This helps to withstand the forces generated by kickback.
- Your body should always be to the left of the chain line.



CUTTING

Basic Cutting

⚠ WARNING: Always be sure of your footing and hold the chain saw firmly with both hands while the motor is running.

Practice cutting a few small logs using the following technique to get the “feel” of using your saw before you begin a major sawing operation:

1. Take the proper stance in front of the wood with the saw off.
2. Press the lock-off button and squeeze the trigger to start the chain saw. Let the chain reach the full speed before beginning the cut.
3. Begin cutting by lightly pressing the guide bar against the wood. Use only light pressure, letting the saw do the work.
4. Maintain a steady speed throughout the cut, releasing pressure just before the end of the cut.
5. Release the trigger as soon as the cut is completed, allowing the chain to stop.

⚠ WARNING: When the saw chain is stopped due to pinching during cutting, release the variable-speed trigger switch, remove the saw chain and guide bar from the wood, then restart the chain saw.

⚠ WARNING: Do not pull the saw chain with your hand when it is bound by the sawdust. Serious injury could result if the chain saw starts accidentally. Press the saw chain against the wood, move the chain saw back and forth to discharge the debris. Always remove the battery pack before cleaning. Wear heavy protective gloves when handling the saw chain.

⚠ WARNING: Never start the chain saw when it is in contact with the wood. Always allow the chain saw reach full speed before applying the saw to the wood.

FELLING A TREE

Hazardous Conditions

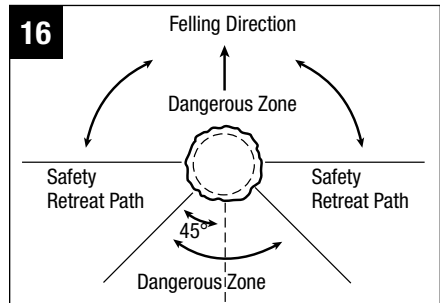
⚠ WARNING: When felling a tree, it is important that you heed the following warnings to prevent possibly serious injury.

- Do not fell trees during periods of high wind or heavy precipitation. Wait until the hazardous weather has ended.
- Do not fell trees that lean at extreme angles or large trees with rotten limbs, loose bark, or hollow trunks. Instead, have these trees pushed or dragged down with heavy equipment and then cut them up.
- Do not fell trees near electrical wires or buildings.
- Check the tree for damaged or dead branches that could fall and hit you during felling.
- Periodically glance at the top of the tree during the back cut to assure the tree is going to fall in the desired direction.
- If the tree starts to fall in the wrong direction, or if the saw gets caught or hung up during the fall, leave the saw and save yourself!

Preparation For Tree Felling

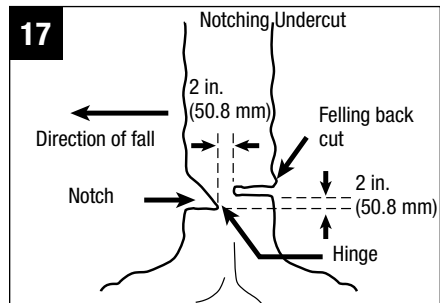
- When bucking and felling operations are being performed by two or more persons at the same time, the felling operation should be separated from the bucking operation by a distance of at least twice the height of the tree being felled. Trees should not be felled in a manner that would endanger any person, strike any utility line or cause any property damage. If a tree does make contact with a utility line, stay clear of the tree and the line and notify the utility company immediately.
- The chain saw operator should stand on the uphill side of the terrain, as the tree is likely to roll or slide downhill after it is felled.

- Before any cuts are started, pick your escape route (or routes, in case the intended route is blocked). Clear the immediate area around the tree and make sure that there are no obstructions in your planned paths of retreat. Clear a path of safe retreat approximately 135° from the planned line of fall. The retreat path should extend back and diagonally to the rear of the expected line of fall. See Fig. 16.
- Before felling is started, consider the natural lean of the tree, the location of larger branches and the wind direction to judge which way the tree will fall.
- Remove dirt, stones, loose bark, nails, staples, and wire from the tree where felling cuts are to be made.



Notching undercut

Make the notch 1/3 the diameter of the tree, perpendicular to the direction of fall, as illustrated in Fig. 17. Make the lower horizontal notching cut first. This will help to avoid pinching of either the saw chain or the guide bar when the second notch is being made.



Felling Back Cut

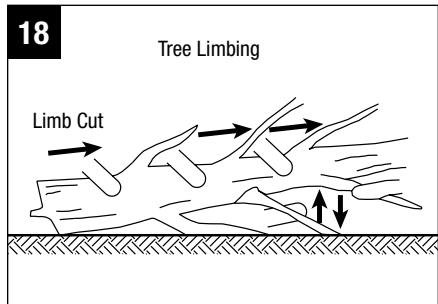
- Make the felling back cut at least 2 inches (50.8 mm) higher than the horizontal notching cut (see Fig. 17). Keep the felling back cut parallel to the horizontal notching cut. Make the felling back cut so that enough wood is left to act as a hinge. The hinge wood keeps the tree from twisting and falling in the wrong direction. Do not cut through the hinge.
- As the felling cut gets close to the hinge, the tree should begin to fall. If there is any chance that the tree may not fall in the desired direction or it may rock back and bind the saw chain, stop cutting before the felling back cut is complete and use wedges of wood, plastic or aluminum to open the cut and drop the tree along the desired line of fall.

- When the tree begins to fall, remove the chain saw from the cut, stop the motor, put the chain saw down, then use the retreat path planned. Be alert for overhead limbs falling and watch your footing.

LIMBING

Limbing is removing branches from a fallen tree. When limbing, leave larger limbs to support the log off the ground. Remove the small limbs in one cut as illustrated in Fig. 18. Branches under tension should be cut from the bottom up to avoid binding the chain saw.

⚠ WARNING: There is an extreme danger of kickback during the limbing operation. Be extremely cautious and avoid contacting the log or other limbs with the tip of the guide bar.



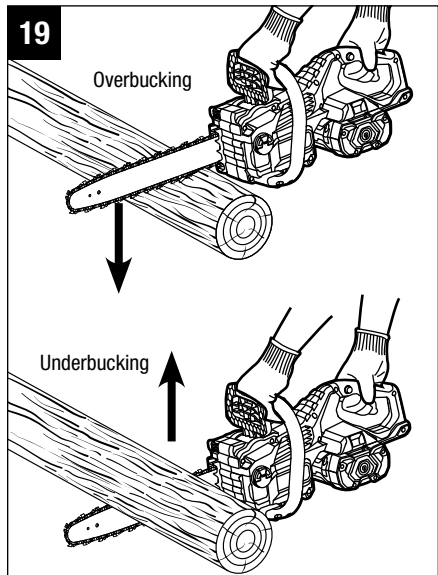
BUCKING A LOG (Fig. 19):

Bucking is cutting a log into lengths. It is important to make sure your footing is firm and your weight is evenly distributed on both feet. When possible, the log should be raised and supported by the use of limbs, logs, or chocks. Follow the simple directions for easy cutting.

⚠ WARNING: Keep a clear-cutting area. Make sure that no objects can contact the guide bar nose and chain during cutting – this can cause kickback.

Overbuckling

Begin on the top side of the log with the bottom of the saw against the log; exert light pressure downward. Note that the saw will tend to pull away from you.

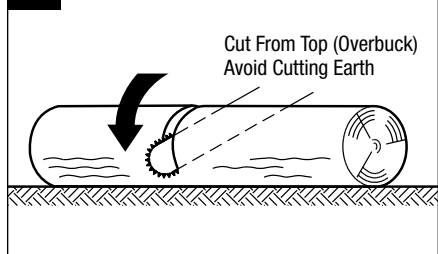


Underbucking

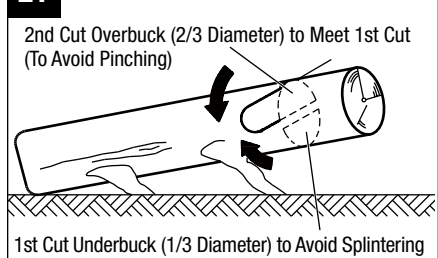
Begin on the underside of the log with the top of the saw against the log; exert light pressure upward. During underbucking, the saw will tend to push back at you. Be prepared for this reaction and hold the saw firmly to maintain control.

- When the log is supported along its entire length, it should be cut from the top (overbucking) (Fig. 20).
- When the log is supported on only one end, cut 1/3 the diameter from the underside (underbucking). Then make the finishing cut by overbucking to meet the first cut (Fig. 21).
- When the log is supported on both ends, cut 1/3 of that diameter from the top overbuck. Then make the finished cut by underbucking the lower 2/3 to meet the first cut (Fig. 22).
- When bucking on a slope, always stand on the uphill side of the log (Fig. 23).
- To maintain complete control when cutting through, release the cutting pressure near the end of the cut without relaxing the grip on the chain saw handles. Don't allow the chain to contact the ground. After completing the cut, wait for the saw chain to stop before you move the chain saw. Always stop the motor before moving from tree to tree.

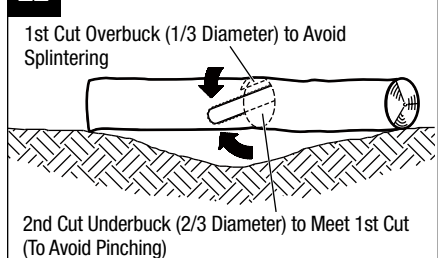
20 Log Supported Along the Entire Length



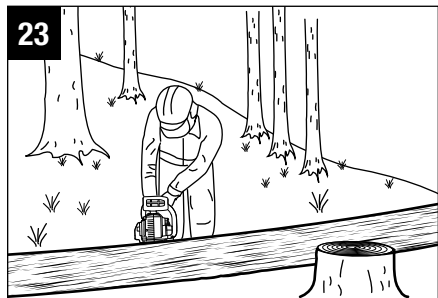
21 Log Supported One End



22 Log Supported Both Ends



23



MAINTENANCE

⚠ WARNING: When servicing, use only identical replacement parts. Use of any other parts may create a hazard or cause product damage.

⚠ WARNING: Always wear safety goggles or safety glasses with side shields during power tool operation or when blowing dust. If the operation is dusty, also wear a dust mask.

⚠ WARNING: To avoid serious personal injury, remove the battery pack from the chain saw before inspecting, cleaning, or performing maintenance. A battery operated tool with the battery pack inserted is always on and can start accidentally.

⚠ WARNING: When cleaning the chain saw, DO NOT immerse in water or other liquids.

⚠ WARNING: Do not at any time let brake fluids, gasoline, petroleum-based products, penetrating oils, etc. come in contact with plastic parts. Chemicals can damage, weaken, or destroy plastic, which may result in serious personal injury.

CLEANING

- After each use, clean debris from the chain and guide bar with a soft brush. Wipe the chain saw surface with a clean cloth moistened with a mild soap solution.
- Remove the side cover, and then use a soft brush to remove debris from the guide bar, saw chain, sprocket, and side cover.
- Always clean out wood chips, saw dust, and dirt from the guide bar groove when replacing the saw chain.

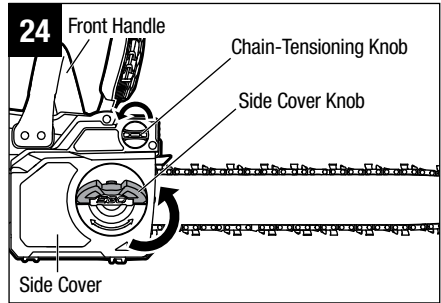
REPLACING THE BAR AND CHAIN

⚠ WARNING: Never touch or adjust the chain while the motor is running. The saw chain is very sharp. Always wear protective gloves when performing maintenance to the chain.

NOTICE: When replacing the guide bar and chain, always use the specified bar and chain combination listed in the section: **“Recommended Bar and Chain for this Chain Saw”**.

Disassembling the Worn Bar and Chain

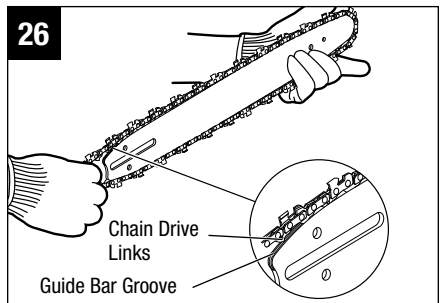
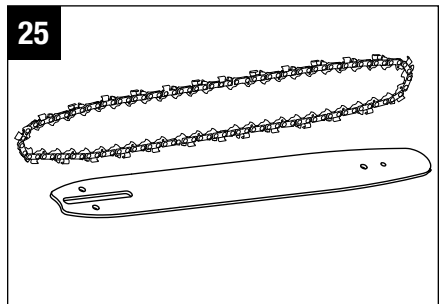
1. Remove the battery. Allow the saw to cool, then tighten the oil-tank cap to prevent oil from spilling.
2. Position the chain saw on its side on a firm, flat surface, so that the side cover is facing upwards (Fig. 24).
3. Wear gloves. Lift up the semicircular tab. Grasp the tab and turn the side-cover knob counterclockwise until the side cover can be removed (Fig. 24). Clean the side cover with a dry cloth.
4. Turn the chain-tensioning knob counterclockwise (Fig. 24). Remove the bar and chain from the mounting surface. Remove the worn chain from the bar.



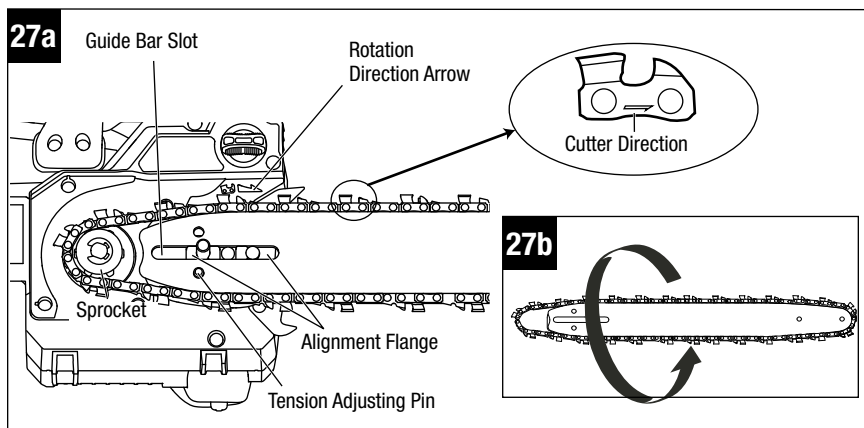
NOTICE: This is a good time to inspect the drive sprocket for excessive wear or damage.

Assembling The New Bar and Chain

1. Lay the new saw chain in a loop on a flat surface and straighten any kinks (Fig. 25).
2. Place the chain drive links into the guide bar groove. Position the chain so there is a loop at the back of the guide bar (Fig. 26).
3. Hold the chain in position on the guide bar and place the loop around the sprocket of the power head.



NOTICE: Small directional arrows are engraved in the saw chain and the side cover (Fig. 27a). When looping the saw chain onto the sprocket, make sure that the direction of the arrows on the saw chain corresponds to the direction of the arrow on the side cover. If they face in opposite directions, turn over the saw chain and guide bar assembly (Fig. 27b).



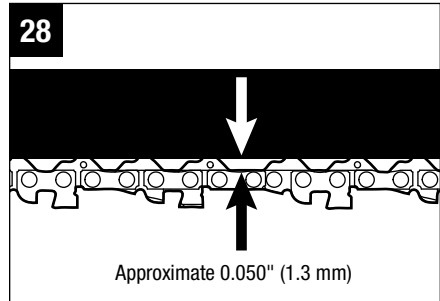
4. Place the guide bar on the mounting surface by sliding the guide bar slot over the alignment flanges, making sure that the tension adjusting pin is inserted in the lower hole in the tail of the bar (Fig. 27a).
5. Replace the side cover and lightly tighten the side-cover knob by turning it clockwise. The bar must be free to move for tension adjustment.
6. Tension the chain by following the chapter **“ADJUSTING THE CHAIN TENSION”**.

NOTICE: To extend the guide bar life, invert the bar occasionally.

CAUTION: The saw chain must be properly tensioned before using.

Adjusting the Chain Tension

1. Stop the motor and remove the battery pack before adjusting the chain tension.
2. Loosen the side-cover knob to the point where it is finger tight.
3. Turn the chain-tensioning adjust knob clockwise until the chain seats snugly against the guide bar with the drive links in the guide bar groove. The chain is correctly tensioned when there is no sag on the underside of the guide bar and the chain is snug, but it can be turned by hand without binding.
4. If the chain is too tight to rotate, turn the chain-tensioning adjust knob counterclockwise to loose the chain tension. Then retighten the chain following step 3.
5. Retighten the side-cover knob.
 - A cold chain is correctly tensioned when there is no slack on the underside of the guide bar and the chain is snug, but it can be turned by hand without binding. The chain must be re-tensioned whenever the flats on the drive links do not sit in the bar groove.
 - During normal saw operation, the temperature of the chain will increase. The drive links of a correctly tensioned warm chain will hang approximately 0.050 in. (1.3 mm) out of the bar groove (Fig. 28).



NOTICE: New chains tend to stretch. Check chain tension frequently and adjust tension as required.

NOTICE: A chain tensioned while it is warm may be too tight upon cooling. Check the cold tension before next use.

CHAIN MAINTENANCE

Use only low-kickback chains on this saw. This fast-cutting chain will provide kickback reduction when properly maintained.

A properly sharpened saw chain cuts through wood effortlessly, even with very little pressure. Never use a dull or damaged saw chain. A dull saw chain cutter leads to increased physical strain, increased vibration load, unsatisfactory cutting results, and increased wear.

For smooth and fast cutting, the chain needs to be maintained properly. When the wood chips are small and powdery, the chain must be forced through the wood during cutting, or the chain cuts to one side are the indicator that the chain requires sharpening. During maintenance of your chain, consider the following:

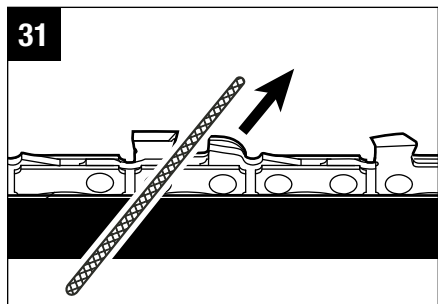
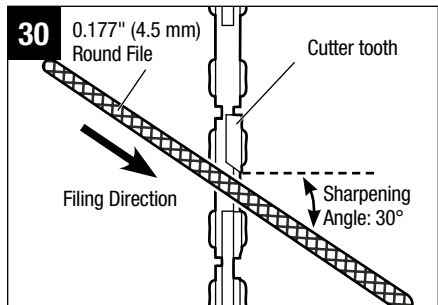
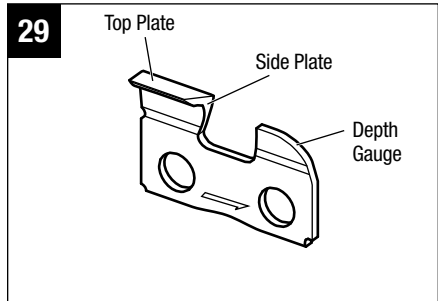
- Improper filing angle of the side plate can increase the risk of a severe kickback.
- Raker (depth gauge) clearance. Too low increases the potential for kickback. Not low enough decreases cutting ability.
- If cutter teeth have hit hard objects, such as nails and stones, or have been abraded by mud or sand on the wood, have the chain sharpened by a qualified service technician.

NOTICE: Inspect the drive sprocket for wear or damage when replacing the chain. If signs of wear or damage are present in the areas indicated, have the drive sprocket replaced by qualified service technician.

How To Sharpen The Cutters

Make sure to file all cutters (Fig. 29) to the specified angles and to the same length, as fast cutting can be obtained only when all cutters are uniform.

1. Remove the battery pack. Wear gloves for protection.
2. Properly tension the chain prior to sharpening. Refer to the chapter **“ADJUSTING THE CHAIN TENSION”** earlier in this manual.
3. Use a 0.177" (4.5 mm) diameter round file and holder (available separately). Do all of your filing at the middle position of the guide bar.
4. Keep the file level with the top plate of the tooth. Do not let the file dip or rock.
5. Keep a correct sharpening angle of 30° between the file and the saw chain; see Fig. 30 and 31. Always use a file holder (available separately) when sharpening saw chains by hand. File holders have markings for the sharpening angle.
6. Using light but firm pressure, perform a stroke towards the front corner of the tooth. Lift the file away from the steel on each return stroke.

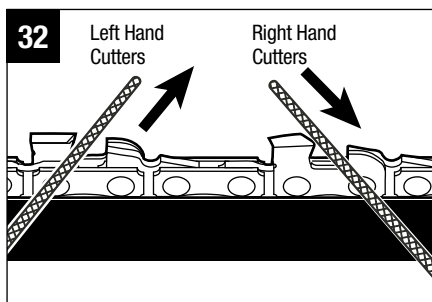


- Perform a few firm strokes on every tooth. File all left-hand cutters in one direction. Then move to the other side and file the right-hand cutters in the opposite direction. Occasionally remove filings from the file with a wire brush (Fig. 32).

⚠ WARNING: A dull or improperly sharpened chain can cause excessive motor speed during cutting, which may result in severe motor damage.

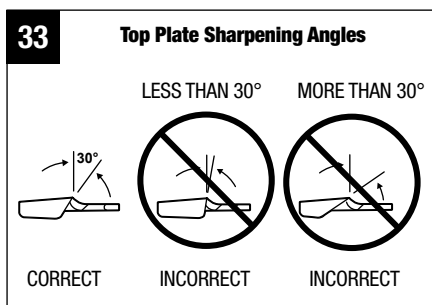
⚠ WARNING: Improper chain sharpening increases the potential of kickback.

⚠ WARNING: Failure to replace or repair a damaged chain can cause serious injury.



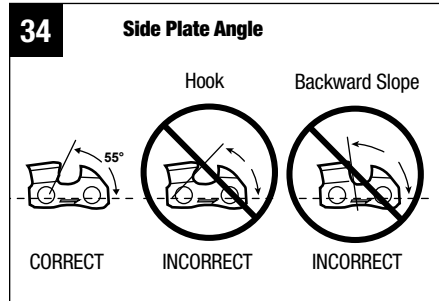
Top Plate Sharpening Angles (Fig. 33)

- CORRECT 30°** – This optimal angle can be obtained only when the specified files and proper setting are used. File holders are marked with guide marks to align the file properly to produce the correct top plate angle.
- LESS THAN 30°** – The tooth is too dull for cutting.
- MORE THAN 30°** – The edge of the cutting tooth is feathered and dulls quickly.



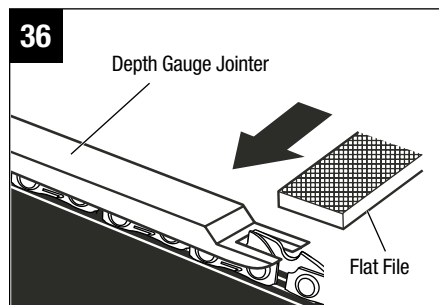
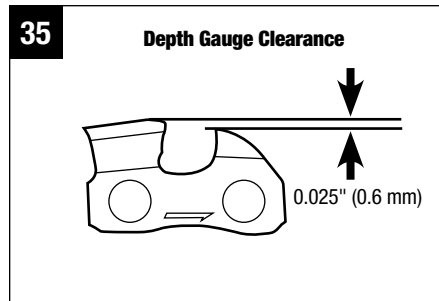
Side Plate Angle (Fig. 34)

- **CORRECT 55°** – The optimal angle can be produced automatically if the correct diameter file is used in the file holder.
- **HOOK** – “Grabs” and dulls quickly. Increases potential of KICKBACK. Results from using a file with a diameter that is too small, or a file held too low.
- **BACKWARD SLOPE** – Needs too much feed pressure, causes excessive wear to the bar and chain. Results from using a file with a diameter too large, or a file held too high.



Depth Gauge Clearance

1. The depth gauge should be maintained at a clearance of 0.025 in. (0.6 mm), as shown in Fig. 35. Use a depth-gauge tool (available separately) to check the depth-gauge clearances.
2. Check the depth-gauge clearance every time the chain is filed. Use a flat file and a depth-gauge jointer (both available separately) to lower all gauges uniformly (Fig. 36). Depth-gauge jointers are available from 0.020 in. to 0.035 in. (0.5 mm to 0.9 mm). Use a 0.025 in. (0.6 mm) depth-gauge jointer.
3. Depth-gauges must be adjusted with the flat file in the same direction the adjoining cutter was filed with the round file. Use care not to contact the cutter face with the flat file when adjusting depth-gauges.



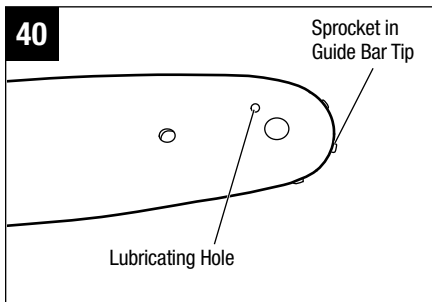
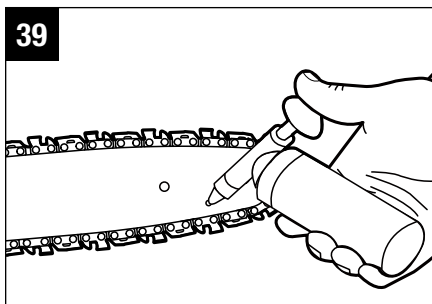
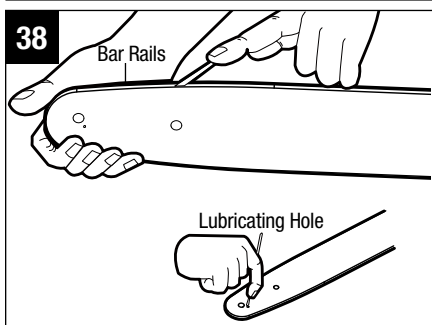
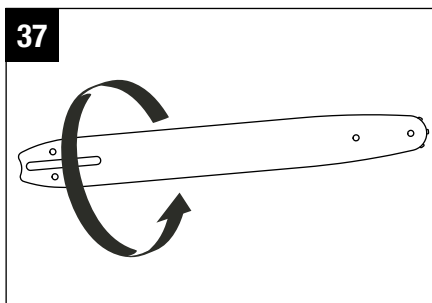
GUIDE BAR MAINTENANCE

When the guide bar shows signs of wear, disassemble it from the chain saw power head and reverse it for reassembly (Fig. 37). This way the wear will be distributed to maximize the guide bar life.

The bar should be cleaned (including bar rails and lubricating hole) every day of use and checked for wear and damage (Fig. 38). Feathering or burring of the bar rails is a normal process of bar wear. Such faults should be smoothed with a file as soon as they occur. A bar with any of the following faults should be replaced (see chapter “**REPLACING THE BAR AND CHAIN**” in this manual):

- Wear inside the bar rails which permits the chain to lay over sideways.
- Bent guide bar.
- Cracked or broken rails.
- Spread rails.

The guide bar has a sprocket at its tip. The sprocket must be lubricated weekly with a grease syringe to extend the guide bar life (Fig. 39 and 40). Turn the nose sprocket while pumping the translucent yellow, translucent red or colorless translucent grease into the lubricating hole until the entire sprocket has new grease. Do not push dirt into the hole.



TRANSPORTING AND STORING

- Do not store or transport the chain saw when it is running. Always remove the battery pack before storing or transporting.
- Always place the chain sheath on the guide bar and chain before storing or transporting the chain saw. Use caution to avoid the sharp teeth of the chain.
- Clean the chain saw thoroughly before storing. Store the chain saw indoors, in a dry place that is locked and/or inaccessible to children.
- Keep away from corrosive agents such as garden chemicals and de-icing salts.

TROUBLESHOOTING

PROBLEM	CAUSE	SOLUTION
Motor does not run.	<ul style="list-style-type: none"> ■ The battery pack is not attached to the chain saw. ■ There is no electrical contact between the saw and battery. ■ The battery pack is depleted. ■ The battery pack or chain saw is too hot. ■ Chain brake is engaged. ■ Debris in bar groove. ■ Debris in side cover. 	<ul style="list-style-type: none"> ■ Attach the battery pack to the chain saw. ■ Remove the battery, check contacts and reinstall the battery pack. ■ Charge the battery pack. ■ Allow the battery pack or chain saw to cool until the temperature drops below 152°F (67°C). ■ Pull the chain kickback brake handle backward toward the front handle. ■ Press the saw chain against the wood, move the chain saw back and forth to discharge the debris. ■ Remove battery pack, then remove side cover and clean out debris.
Chain saw stops running during operation	<ul style="list-style-type: none"> ■ The chain saw is overloaded ■ The battery pack or chain saw is too hot. ■ Saw chain is bound in the wood. 	<ul style="list-style-type: none"> ■ Decrease the load ■ Allow the battery pack or chain saw to cool until the temperature drops below 152°F (67°C). ■ Release the variable-speed trigger switch; remove the saw chain and guide bar from the wood, then restart the chain saw.
Motor runs, but chain does not rotate.	<ul style="list-style-type: none"> ■ Chain does not engage drive sprocket. 	<ul style="list-style-type: none"> ■ Reinstall the chain, following the chapter “REPLACING THE BAR AND CHAIN”. Ensure that the drive links on the chain are fully seated on the sprocket.
Chain brake does not engage.	<ul style="list-style-type: none"> ■ Debris preventing full movement of the chain kickback brake handle. ■ Possible chain brake malfunction. 	<ul style="list-style-type: none"> ■ Clean debris from the external chain brake mechanism. ■ Contact EGO Customer Service for repair.

PROBLEM	CAUSE	SOLUTION
Chain saw does not cut properly.	<ul style="list-style-type: none"> ■ Insufficient chain tension. ■ Dull chain. ■ Chain installed backwards. ■ Worn chain. ■ Dry or excessively stretched chain. ■ Chain not in bar groove. 	<ul style="list-style-type: none"> ■ Readjust the chain tension, following the chapter: “ADJUSTING THE CHAIN TENSION”. ■ Sharpen the chain cutters, following the chapter: “HOW TO SHARPEN THE CUTTERS”. ■ Reinstall the saw chain, following the chapter: “REPLACING THE BAR AND CHAIN”. ■ Replace the chain, following the chapter: “REPLACING THE BAR AND CHAIN”. ■ Check the oil level. Refill the oil tank if necessary. ■ Reinstall the saw chain, following the chapter: “REPLACING THE BAR AND CHAIN”.
Chain becomes loose or drops off the guide bar during normal use.	<ul style="list-style-type: none"> ■ The chain will become loose as the temperature of the chain increases during normal saw operation. ■ Chain does not engage drive sprocket. 	<ul style="list-style-type: none"> ■ Tighten the chain tension, following the chapter “ADJUSTING THE CHAIN TENSION”. ■ Reinstall the saw chain, following the chapter “REPLACING THE BAR AND CHAIN”.
Bar and chain running hot and smoking.	<ul style="list-style-type: none"> ■ Check chain tension for over tightened condition. ■ Chain oil tank is empty. ■ Debris in guide bar groove. 	<ul style="list-style-type: none"> ■ Re-tension the saw chain, following the chapter: “ADJUSTING THE CHAIN TENSION”. ■ Fill the tank with bar and chain oil. ■ Clear the debris in the groove.



WARRANTY

EGO WARRANTY POLICY

5-year limited warranty on EGO POWER+ outdoor power equipment and portable power for personal, household use.

3-year limited warranty on EGO POWER+ System battery packs and chargers for personal, household use. An additional 2-year extended warranty applies for the 10.0Ah/12.0Ah battery whether sold separately (Model# BA5600T/BA6720T) or included with any tool, if it is registered within 90 days of purchase. 5-year limited warranty on CHV1600 charger, designed for use with Zero Turn Riding Mower for personal, household use.

2 year/1year limited warranty on EGO outdoor power equipment, portable power, battery packs, and chargers for professional and commercial use.

The detailed warranty periods by products can be found online at

<http://egopowerplus.com/warranty-policy>.

Please contact EGO Customer Service Toll-Free at 1-855-EGO-5656 any time you have questions or warranty claims.

LIMITED SERVICE WARRANTY

EGO products are warranted against defects in material or workmanship from the date of original retail purchase for the applicable warranty period. Defective product will receive free repair.

- a) This warranty applies only to the original purchaser from an authorized EGO retailer and may not be transferred. Authorized EGO retailers are identified online at <http://egopowerplus.com/warranty-policy>.
- b) The warranty period for reconditioned or factory certified products used for residential purpose is 1 year, for industrial, professional or commercial purpose is 90 days.
- c) The warranty period for routine maintenance parts, such as, but not limited to, ride-on mower seat, wheels, tires, anti-scalp wheels, brake disc, friction block, blades, trimmer heads, chain bars, saw chains, belts, scraper bars, rubber paddles, augers, skid shoes, blower nozzles, and all other EGO accessories is 90 days for residential purpose, 30 days for industrial, professional or commercial purpose. These parts are covered for 90/30 days from manufacture defects in normal working conditions.

- d) This warranty is void if the product has been used for rental purpose.
- e) This warranty does not cover the damage resulting from modification, alteration or unauthorized repair.
- f) This warranty only covers defects arising under normal usage and does not cover any malfunction, failure or defect resulting from misuse, abuse (including overloading of the product beyond capacity and immersion in water or other liquid), accidents, neglect or lack of proper installation, and improper maintenance or storage.
- g) This warranty does not cover normal deterioration of the exterior finish, including but not limited to scratches, dents, paint chips, or to any corrosion or discoloring by heat, abrasive and chemical cleaners.

HOW TO OBTAIN SERVICE

For warranty service, please contact EGO customer service toll-free at **1-855-EGO-5656**. When requesting warranty service, you must present the original dated sales receipt. An authorized service center will be selected to repair the product according to the stated warranty terms. When bringing your product to the authorized service center, there may be a small deposit that will be required when dropping off your tool. This deposit is refundable when the repair service is deemed to be covered under warranty.

ADDITIONAL LIMITATIONS

To the extent permitted by applicable law, all implied warranties, including warranties of MERCHANTABILITY or FITNESS FOR A PARTICULAR PURPOSE, are disclaimed. Any implied warranties, including warranties of merchantability or fitness for a particular purpose, that cannot be disclaimed under state law are limited to the applicable warranty period defined at the beginning of this article.

Chervon North America is not responsible for direct, indirect, incidental or consequential damages.

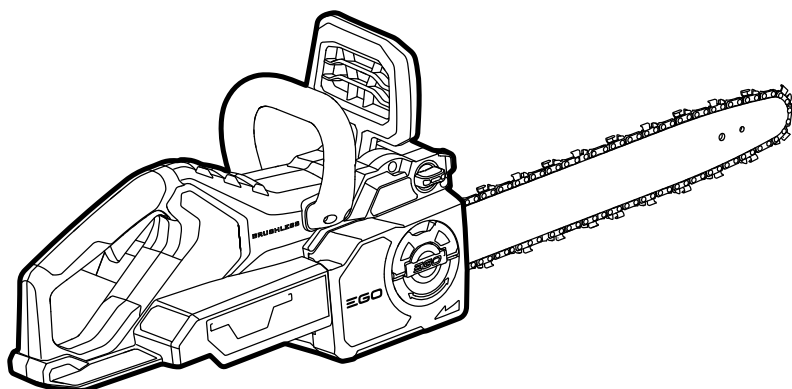
Some states do not allow limitations on how long an implied warranty lasts and/or do not allow the exclusion or limitation of incidental or consequential damages, so the above limitations may not apply to you.

This warranty gives you specific legal rights, and you may also have other rights which vary from state to state.

For customer service contact us toll-free at: **1-855-EGO-5656 or EGOPOWERPLUS.COM**. EGO Customer Service, 769 SEWARD AVE NW / Suite 102 Grand Rapids, MI 49504

EGO™

POWER⁺ CHAIN SAW



**REMPLEZ LE RÉSERVOIR D'HUILE
AVEC DU LUBRIFIANT À CHAÎNE ET À
GUIDE CHAÎNE AVANT LA PREMIÈRE
UTILISATION**



GUIDE D'UTILISATION

SCIE À CHAÎNE SANS FIL DE 40 CM 16 PO AU LITHIUM-ION DE 56 V

NUMÉRO DE MO-DÈLE CS1610/CS1610-FC

⚠ AVERTISSEMENT : Afin de réduire les risques de blessure, l'utilisateur doit lire et comprendre le guide d'utilisation avant d'utiliser ce produit. Conservez le présent guide afin de pouvoir le consulter ultérieurement.

TABLE DES MATIÈRES

Symboles de sécurité	54
Consignes de sécurité	55-68
Lexique terminologique	69
Introduction	70
Caractéristiques techniques	71
Liste des pièces contenues dans l'emballage	71
Description	72-74
Assemblage	75
Fonctionnement	76-89
Entretien	90-99
Dépannage	100-102
Garantie	103-104

LISEZ TOUTES LES INSTRUCTIONS!



READ & UNDERSTAND
INSTRUCTION MANUAL

⚠ AVERTISSEMENT : La poussière créée pendant le ponçage, le sciage, le polissage, le perçage et d'autres activités liées à la construction peut contenir des produits chimiques reconnus par l'état de la Californie comme étant la cause de cancers, d'anomalies congénitales et d'autres problèmes liés aux fonctions reproductrices. Voici des exemples de ces produits chimiques :

- Le plomb provenant de peintures à base de plomb
- La silice cristallisée contenue dans les briques, le ciment et d'autres produits de maçonnerie;
- L'arsenic et le chrome contenus dans le bois d'oeuvre traité avec des produits chimiques.

Les risques liés à l'exposition à ces produits varient en fonction de la fréquence à laquelle vous effectuez ce type de travaux. Pour réduire votre exposition à ces produits chimiques, travaillez dans une zone bien ventilée et portez l'équipement de sécurité approuvé, comme les masques antipoussière conçus pour ne pas laisser passer les particules microscopiques.

SYMBOLES DE SÉCURITÉ

L'objectif des symboles de sécurité est d'attirer votre attention sur les dangers potentiels. Vous devez examiner attentivement et bien comprendre les symboles de sécurité et les explications qui les accompagnent. Les symboles d'avertissement en tant que tels n'éliminent pas le danger. Les consignes et les avertissements qui y sont associés ne remplacent en aucun cas les mesures préventives adéquates.

⚠ AVERTISSEMENT : Avant d'utiliser cet outil, assurez-vous de lire et de comprendre toutes les consignes de sécurité présentées dans ce guide d'utilisation, notamment toutes les consignes de sécurité indiquées par « **DANGER** », « **AVERTISSEMENT** » et « **MISE EN GARDE** ». Le non-respect des consignes de sécurité ci-dessous peut occasionner une décharge électrique, un incendie ou des blessures graves.

SIGNIFICATION DES SYMBOLES

⚠ SYMBOLE D'ALERTE DE SÉCURITÉ : Indique un **DANGER**, un **AVERTISSEMENT** ou une **MISE EN GARDE**. Il peut être associé à d'autres symboles ou pictogrammes.





⚠ AVERTISSEMENT! L'utilisation de tout outil électrique peut entraîner la projection de corps étrangers dans les yeux et ainsi causer des lésions oculaires graves. Avant d'utiliser un outil électrique, veillez à toujours porter des lunettes de sécurité couvrantes ou à écrans latéraux, ou un masque complet au besoin. Nous recommandons le port d'un masque de sécurité panoramique par-dessus les lunettes ou de lunettes de sécurité standard avec écrans latéraux. Portez toujours des lunettes de sécurité conformes à la norme ANSI Z87.1.

CONSIGNES DE SÉCURITÉ

Vous trouverez ci-dessous les symboles de sécurité qui peuvent être présents sur le produit, accompagnés de leur description. Vous devez lire, comprendre et suivre toutes les instructions présentes sur l'appareil avant de commencer à l'assembler ou à le manipuler.

	Alerte de sécurité	Indique un risque de blessure.
	Assurez-vous de lire et de comprendre le guide d'utilisation	Pour réduire le risque de blessure, l'utilisateur doit lire et comprendre le mode d'emploi avant de commencer à utiliser ce produit.
	Portez toujours des lunettes de sécurité.	Portez toujours des lunettes de protection ou des lunettes de sécurité à écrans latéraux et un masque couvrant tout le visage lors de l'utilisation de ce produit.
	Portez des protecteurs d'oreilles.	Le bruit émis par la scie à chaîne peut endommager votre ouïe. Portez toujours un dispositif de protection des oreilles (protège-oreilles ou bouchons d'oreilles) pour protéger votre ouïe.
	Portez un casque.	Portez un casque dur de sécurité agréé pour protéger votre tête.
	Portez des gants de protection.	Protégez vos mains avec des gants lorsque vous touchez la scie et la chaîne de la scie. Des gants épais et antidérapants améliorent votre préhension et protègent vos mains.
	Choc en retour de la pointe de la barre de guidage	Un tel contact de la pointe peut causer un mouvement soudain de la barre de guidage vers le haut et vers l'arrière, ce qui risquerait de causer des blessures graves.

	Préhension avec les deux mains	Tenez toujours la scie à chaîne des deux mains lorsque vous l'utilisez.
IPX4	Indice de protection	Protection contre les projections d'eau
	Courant continu	Type de courant ou caractéristique de courant
V	Volt	Tension
mm	Millimètre	Longueur ou taille
in.	Pouce	Longueur ou taille
kg	Kilogramme	Poids
lb	Livre	Poids
ml	Millilitre	Volume
fl.oz	Once liquide	Volume
°C	Degrés Celsius	Température
°F	Degrés Fahrenheit	Température

AVERTISSEMENTS GÉNÉRAUX RELATIFS À LA SÉCURITÉ POUR LES OUTILS ÉLECTRIQUES

⚠ AVERTISSEMENT! Lisez tous les avertissements, instructions, illustrations et spécifications fournis avec cet outil électrique. Le non-respect des consignes de sécurité ci-dessous peut occasionner un choc électrique, un incendie ou des blessures graves.

Conservez tous les avertissements et toutes les instructions afin de pouvoir les consulter ultérieurement.

Le terme « outil électrique » dans les avertissements fait référence à votre outil électrique à cordon d'alimentation électrique branché dans une prise secteur ou à votre outil électrique à piles (sans fil).

SÉCURITÉ DE L'AIRE DE TRAVAIL

- **Maintenez l'aire de travail propre et bien éclairée.** Les aires de travail sombres et en-combrées sont propices aux accidents.
- **N'utilisez pas d'outils électriques dans un milieu explosif, par exemple où il y a présence de liquides, de vapeurs ou de poussières inflammables.** Les outils électriques produisent des étincelles susceptibles d'enflammer ces poussières ou ces vapeurs.
- **Gardez les enfants et les autres personnes à l'écart lorsque vous utilisez un outil électrique.** Une distraction peut vous faire perdre la maîtrise de l'outil.

CONSIGNES DE SÉCURITÉ RELATIVES À L'ÉLECTRICITÉ

- **Les fiches des outils électriques doivent correspondre à la prise. Ne modifiez jamais la fiche de quelque façon que ce soit.** N'utilisez pas d'adaptateur avec les outils électriques mis à la terre. L'utilisation de fiches non modifiées dans les prises compatibles réduit les risques de choc électrique.
- **Évitez de toucher à des surfaces mises à la terre, par exemple un tuyau, un radiateur, une cuisinière ou un réfrigérateur.** Le contact du corps avec une surface mise à la terre augmente les risques de choc électrique.
- **N'exposez pas les outils électriques à la pluie ni à tout environnement humide.** L'infiltration d'eau dans un outil électrique augmente les risques de choc électrique.

- **N'utilisez pas le cordon d'alimentation de façon à l'endommager. Ne transportez jamais un outil électrique en le tenant par son cordon et ne tirez jamais sur le cordon pour le débrancher. Tenez le cordon d'alimentation éloigné des sources de chaleur, de l'huile, des objets coupants et des pièces mobiles.** Les risques de choc électrique sont plus élevés si le cordon d'alimentation est endommagé ou emmêlé.
- **Lorsque vous utilisez un outil électrique à l'extérieur, utilisez une rallonge conçue pour être utilisée à l'extérieur.** Ce type de rallonge réduit les risques de choc électrique.
- **Si vous n'avez d'autre choix que d'utiliser un outil électrique dans un endroit humide, utilisez une alimentation protégée par un disjoncteur différentiel.** L'utilisation d'un disjoncteur différentiel réduit les risques de choc électrique.

SÉCURITÉ PERSONNELLE

- **Soyez vigilant, prêtez attention à ce que vous faites et usez de votre jugement lorsque vous utilisez un outil électrique. N'utilisez pas un outil électrique lorsque vous êtes fatigué ou sous l'effet de drogues, d'alcool ou de médicaments.** Un moment d'inattention pendant que vous utilisez des outils électriques peut occasionner des blessures graves.
- **Utilisez un équipement de protection. Portez toujours des lunettes de sécurité** Le port d'équipement de protection, comme un masque antipoussières, des chaussures de sécurité antidérapantes, un casque de protection et des protecteurs auditifs, lorsque les conditions l'exigent, réduit les risques de blessures.
- **Prenez des mesures afin d'éviter que l'outil se mette en marche accidentellement. Assurez-vous que l'interrupteur est sur la position d'arrêt avant de brancher l'outil sur un bloc-piles, de le ramasser ou de le transporter.** Transporter les outils électriques avec le doigt sur l'interrupteur ou brancher les outils lorsque l'interrupteur est en position de marche augmente les risques d'accident.
- **Retirez toutes les clés de réglage de l'outil électrique avant de le mettre en marche.** Une clé de réglage oubliée sur une pièce mobile de l'outil électrique peut entraîner des blessures.

- **Débranchez la fiche de la prise ou retirez, si possible, le bloc-piles de l'outil électrique avant d'effectuer des réglages, de changer d'accessoire ou de le ranger.** De telles mesures de sécurité préventives réduisent les risques de mise en marche accidentelle de l'outil électrique.
- **Habillez-vous convenablement. Ne portez pas de vêtements amples ni de bijoux. Gardez vos cheveux et vos vêtements loindes pièces mobiles.** Les vêtements amples, les bijoux et les cheveux longs risquent de se prendre dans les pièces en mouvement.
- **Si un dispositif permet de raccorder un dépoussiéreur, assurez-vous que celui-ci est branché et utilisé de manière appropriée.** L'emploi d'un dépoussiéreur contri-bue à réduire les dangers liés à la poussière.
- **Même si vous connaissez parfaitement ces outils parce que vous les utilisez souvent, soyez vigilant et respectez les principes de sécurité.** Il suffit d'être négligent une fraction de seconde pour se blesser gravement.

UTILISATION ET ENTRETIEN DE L'OUTIL ÉLECTRIQUE

- **Ne forcez pas l'outil électrique. Utilisez l'outil électrique approprié à la tâche que vous souhaitez accomplir.** L'utilisation de l'outil électrique approprié permet d'obtenir de meilleurs résultats, de façon plus sécuritaire, selon le régime de fonctionnement prévu.
- **N'utilisez pas l'outil électrique si l'interrupteur ne fonctionne pas.** Tout outil électrique qui ne peut être commandé au moyen de l'interrupteur est dangereux et doit être réparé.
- **Retirez, si possible, le bloc-piles de l'outil électrique ou actionnez tout dispositif de désactivation du bloc-piles avant de dégager un objet coincé, d'effectuer des réglages, de changer d'accessoires ou de nettoyer ou de ranger les outils électriques.** Ces mesures de sécurité préventives réduisent les risques de mise en marche ac-cidentelle de l'outil électrique.
- **Rangez l'outil électrique à l'arrêt hors de la portée des enfants et n'autorisez pas une personne ne sachant pas s'en servir ou n'ayant pas lu ces instructions à l'utiliser.** Les outils électriques sont dange-reux s'ils se retrouvent entre les mains d'utilisateurs qui ne savent pas s'en servir.

- **Entretenez les outils électriques et les accessoires. Vérifiez les pièces mobiles pour vous assurer qu'elles ne sont pas désalignées, enrayées, brisées, ou dans un état qui pourrait nuire à leur fonctionnement. Si l'outil électrique est endommagé, faites-le réparer avant de l'utiliser.** De nombreux accidents sont provoqués par des outils électriques et des accessoires mal entretenus.
- **Gardez vos outils tranchants affûtés et propres.** Des outils tranchants bien entretenus et dont les lames sont affûtées risquent moins de se bloquer et sont plus faciles à maîtriser.
- **Utilisez l'outil électrique, les accessoires, les embouts ou autres conformément aux instructions, en tenant compte des conditions de travail et du travail à effectuer.** L'utilisation de l'outil électrique à des fins autres que celles auxquelles il est destiné pourrait entraîner une situation dangereuse.
- **Les poignées et autres surfaces de pré-hension doivent toujours être sèches, propres et exemptes d'huile ou de graisse.** Les poignées et autres surfaces de pré-hension glissantes peuvent entraîner une manipulation non sécuritaire ou une perte de contrôle de l'outil.

UTILISATION ET ENTRETIEN DU BLOC-PILE

- **Rechargez uniquement le bloc-piles à l'aide du chargeur approuvé par le fabricant.** Un chargeur conçu pour un type de bloc-piles peut causer un incendie s'il est utilisé avec un autre bloc-piles.
- **Utilisez les outils électriques uniquement avec les blocs-piles désignés.** L'utilisation de tout autre bloc-piles peut constituer un risque de blessure et d'incendie.
- **Lorsque vous n'utilisez pas le bloc-piles, conservez-le à l'écart d'autres objets métalliques, comme des trombones, des pièces de monnaie, des clés, des clous, des vis et d'autres petits objets métalliques qui peuvent connecter une borne à une autre.** Un court-circuit entre les bornes du bloc-piles peut occasionner des brûlures ou un incendie.
- **Dans de mauvaises conditions, un liquide peut être éjecté du bloc-piles; évitez tout contact avec celui-ci. En cas de contact accidentel, rincez à grande eau. Si vos yeux entrent en contact avec ce liquide, consultez un médecin.** Le liquide provenant des piles peut causer de l'irritation ou des brûlures.

- **N'utilisez pas un bloc-piles ou un outil endommagé ou modifié.** Les blocs-piles modifiés ou endommagés peuvent fonctionner de façon imprévisible et présenter un risque d'incendie, d'explosion ou de blessures.
- **N'exposez pas un bloc-piles ou un outil à un feu ou à une température excessive.**
- **Suivez toutes les instructions pour le chargement et ne chargez pas le bloc-piles ou l'outil en dehors de la plage de température précisée dans les instructions.** Une recharge inadéquate ou effectuée à des températures en dehors de la plage précisée peut endommager le bloc-piles et augmenter le risque d'incendie.

ENTRETIEN

- **Demandez à un technicien qualifié qui utilise seulement des pièces de rechange identiques aux pièces d'origine d'effectuer l'entretien de votre outil électrique.** Vous vous assurez ainsi que l'outil électrique demeure sécuritaire.
- **Ne réparez jamais un bloc-piles endommagé.** Seuls le fabricant et les fournisseurs de services autorisés peuvent effectuer la réparation d'un bloc-piles.

AVERTISSEMENTS RELATIFS À LA SÉCURITÉ POUR LA SCIE À CHAÎNE

- **Gardez toutes les parties de votre corps à une distance suffisante de la chaîne de la scie lorsque la scie à chaîne est en marche. Avant de mettre la scie à chaîne en marche, assurez-vous qu'elle n'est pas en contact avec un quelconque objet.** Un simple moment d'inattention pendant que vous utilisez une scie à chaîne pourrait causer l'enchevêtrement d'un de vos vêtements ou de votre corps avec la chaîne de la scie.
- **Tenez toujours la scie à chaîne avec votre main droite placée sur la poignée arrière et votre main gauche sur la poignée avant.** Le fait de tenir la scie à chaîne dans une configuration caractérisée par l'inversement de la position des mains augmenterait le risque de blessure. Il ne faut donc jamais tenir la scie dans une telle configuration des mains.
- **Tenez l'outil électrique uniquement par les poignées protégées, car la chaîne de la scie pourrait entrer en contact avec un câblage caché.** Si la chaîne entre en contact avec un câble alimenté pendant que l'appareil est en marche, cela risque d'exposer les pièces métalliques de l'outil électrique et d'occasionner un choc électrique à l'utilisateur.

- **Portez des lunettes de sécurité et des protections auditives. Des protections pour la tête, les mains, les jambes et les pieds sont aussi recommandées.** Des vêtements de protection adéquats réduisent les risques de blessures provoquées par la projection de débris ou par un contact accidentel avec la chaîne de la scie.
- **N'utilisez pas de scie à chaîne si vous êtes dans un arbre.** L'utilisation d'une scie à chaîne lorsque vous êtes dans un arbre peut occasionner des blessures graves.
- **Maintenez toujours des appuis fermes et n'utilisez la scie à chaîne que lorsque vous vous tenez sur une surface sécuritaire et de niveau.** Des surfaces glissantes ou instables, comme une échelle, peuvent occasionner une perte d'équilibre ou une perte de contrôle de la scie à chaîne.
- **Lorsque vous coupez une branche soumise à une tension, prenez garde à sa détente.** Quand la tension des fibres de bois se relâche, la branche peut venir vous frapper ou vous faire perdre le contrôle de la scie à chaîne.
- **Faites très attention lorsque vous coupez du sous-bois ou de jeunes arbres.** Leur matériau souple pourrait coincer dans la chaîne de la scie et être envoyé dans votre direction ou encore tirer et vous faire perdre l'équilibre.
- **Pour transporter la scie à chaîne, éteignez-la et tenez-la éloignée de votre corps par la poignée avant. Installez toujours la gaine de la chaîne avant de transporter ou de ranger la scie.** Une manipulation appropriée de la scie réduit les risques de contacts accidentels avec la chaîne en mouvement.
- **Suivez les instructions pour le graissage, le tensionnage de la chaîne et le changement d'accessoires.** Une mauvaise tension ou une mauvaise lubrification peut entraîner le bris de la chaîne ou augmenter le risque de rebond.
- **Ne coupez que du bois. N'utilisez pas la scie à chaîne pour des tâches autres que celles pour lesquelles elle a été conçue. Par exemple, ne l'utilisez pas pour couper du métal, du plastique, des matériaux de maçonnerie ni des matériaux de construction non faits de bois.** L'utilisation d'une scie à chaîne pour des tâches pour lesquelles elle n'a pas été conçue pourrait créer une situation dangereuse.
- **Ne tentez pas d'abattre un arbre avant d'avoir compris les risques qui y sont associés et la façon de les éviter.** L'abattage d'un arbre pourrait causer des blessures graves à l'utilisateur ou aux gens à proximité.

CAUSES DES CHOCS EN RETOUR, ET PRÉVENTION DE TELS CHOCS PAR L'OPÉRATEUR

Un choc en retour peut se produire lorsque la pointe ou l'extrémité de la barre de guidage entre en contact avec un objet, ou quand le bois coupé cause un pincement de la chaîne.

Dans certains cas, le contact de la pointe peut causer un effet de rebond projetant la barre de guidage vers le haut et vers l'arrière, en direction de l'opérateur

Le pincement de la chaîne de la scie le long du haut de la barre de guidage peut pousser très vite la barre de guidage vers l'arrière, dans la direction de l'opérateur

L'une quelconque de ces réactions peut vous faire perdre le contrôle de la scie, ce qui pourrait causer des blessures graves. Ne comptez pas exclusivement sur les mécanismes de sécurité incorporés à votre scie. En tant qu'utilisateur de la scie à chaîne, il vous incombe de prendre certaines mesures pour éviter les accidents ou les blessures lorsque vous vous servez de cette scie.

Le rebond est la conséquence d'une utilisation incorrecte de la scie et/ou de conditions inappropriées ou de procédures opérationnelles incorrectes ; il peut être évité en prenant des précautions appropriées, comme cela est indiqué ci-dessous :

- **Maintenez une prise ferme, avec les pouces et les doigts autour des poignées de la scie à chaîne, avec les deux mains sur la scie et en positionnant votre corps et votre bras de façon à vous permettre de résister à la force d'un choc en retour.** L'opérateur peut contrôler les forces de l'effet de rebond s'il prend des précautions appropriées. Ne cessez jamais de tenir fermement la scie à chaîne.
- **Ne vous penchez pas excessivement en avant et ne coupez pas plus haut que la hauteur de vos épaules.** Ceci contribue à prévenir un contact accidentel avec la pointe et assure un meilleur contrôle de la scie à chaîne dans des situations inattendues.
- **N'utilisez que des barres de guidage et des chaînes de remplacement qui sont spécifiées par le fabricant.** Des barres et des chaînes de remplacement incorrectes pourraient causer la cassure de la chaîne et/ou un effet de rebond.

Suivez les instructions du fabricant pour l'affûtage et la maintenance de la chaîne de la scie. La réduction de la hauteur de la jauge de profondeur peut causer des risques accrus de choc en retour.

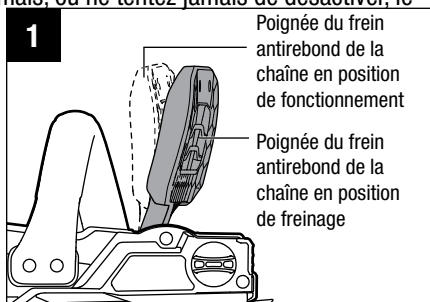
DISPOSITIFS DE PROTECTION CONTRE LES CHOCS EN RETOUR SUR CETTE SCIE À CHAÎNE

Frein de la chaîne

La scie à chaîne est munie d'un frein de chaîne qui arrête à la fois le moteur et le mouvement de la chaîne en cas de choc en retour. Le frein de la chaîne peut être activé par le mouvement vers l'avant de la poignée du frein antirebond de la chaîne lorsque la scie tourne vers l'arrière pendant le rebond ; il peut également être activé par les forces d'inertie qui sont produites pendant un re-foulement rapide.

⚠ AVERTISSEMENT : Ne modifiez jamais, ou ne tentez jamais de désactiver, le frein de la chaîne. Assurez-vous que le frein de la chaîne fonctionne correctement avant de commencer à utiliser la scie à chaîne. La poignée du frein antirebond de la chaîne doit pouvoir avancer et reculer facilement.

Pour tester le fonctionnement du frein de la chaîne, suivez la procédure ci-dessous (Fig. 1) :



- Placez la scie à chaîne sur une surface plate nue et assurez-vous qu'il n'y a pas dans les environs immédiats d'objets ou d'obstructions qui pourraient entrer en contact avec la barre et la chaîne.
- Désengagez le frein de la chaîne en tirant sur la poignée du frein antirebond de la chaîne pour le rapprocher de la poignée avant.
- Mettez la scie à chaîne en marche.
- Poussez la poignée du frein antirebond de la chaîne vers l'avant de la scie. Un frein à main fonctionnant correctement arrêtera immédiatement le mouvement de la chaîne. Si le frein de la chaîne ne fonctionne pas correctement, n'utilisez pas la scie à chaîne avant de l'avoir fait réparer par un technicien de service compétent.

⚠ AVERTISSEMENT : Confirmez que le frein de la chaîne fonctionne correctement avant chaque utilisation.

⚠ AVERTISSEMENT : Si le frein de la chaîne est obstrué par des copeaux de bois, il risque de fonctionner de façon inadéquate à la longue. Nettoyez régulièrement ce dispositif.

Chaîne de scie à faible rebond

Les guides (ou limiteurs) de profondeur si-tués devant chaque gouge peuvent réduire au minimum la force d'un rebond en empêchant les gorges de creuser trop profondément à l'endroit où survient ce rebond. N'utilisez qu'une chaîne de rechange équivalente à la chaîne d'origine ou homologuée chaîne à faible rebond selon la norme ANSI B175.1. Une

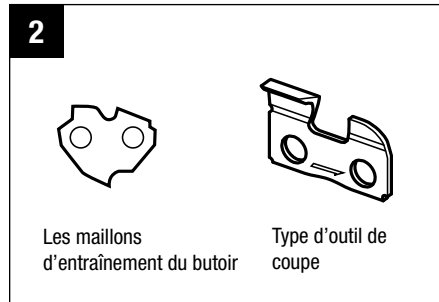
chaîne de scie à faible rebond est une chaîne qui satisfait aux exigences en matière de rebonds de la norme ANSI B175.1 (la norme de l'American National Standard relative aux outils électriques – Exigences de sécurité des scies à chaîne à essence) lors d'essais sur l'échantillon représentatif de scies à chaîne décrit dans la norme ANSI B175.1, sous 3.8 c.i.d.

Les maillons d'entraînement du butoir (Fig. 2) aident également à offrir un rendement à faible rebond.

⚠ MISE EN GARDE: Au fur et à mesure qu'elles sont affûtées au cours de leur vie utile, les chaînes de scie perdent une partie de leurs propriétés anti-rebond et doivent être utilisées avec davantage de précautions

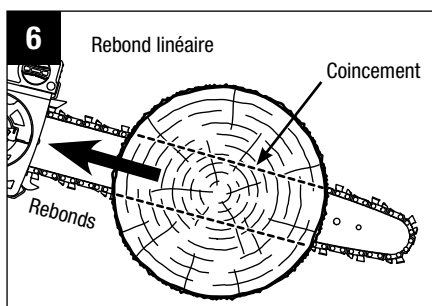
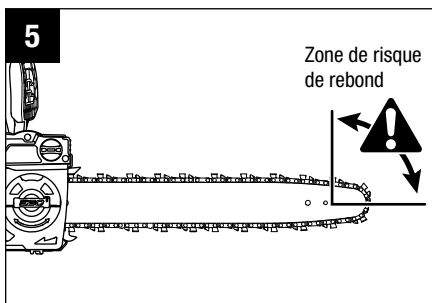
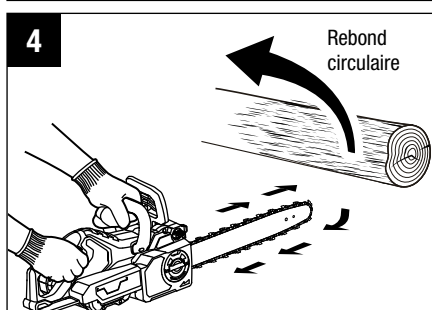
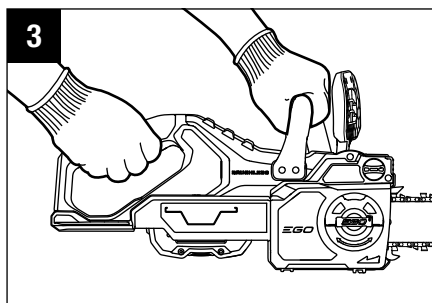
GUIDE-CHAÎNE

Cette scie est pourvue d'une barre de guidage qui a une pointe à faible rayon. Les pointes à faible rayon ont généralement un potentiel réduit en matière d'effet de rebond. Lorsque vous remplacez la barre de guidage, veuillez commander la barre de guidage que nous recommandons dans ce mode d'emploi ou la barre de guidage ayant la spécification correcte concernant ce produit.

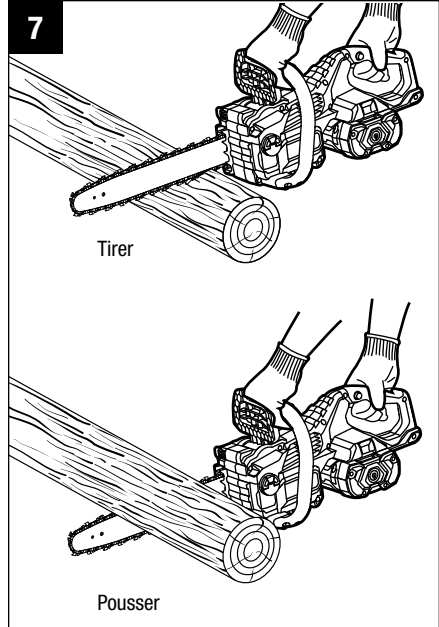


AVERTISSEMENTS SUPPLÉMENTAIRES

- **Une scie à chaîne doit être utilisée à deux mains.** Manipuler la scie avec une seule main pourrait occasionner des blessures graves à l'utilisateur et aux personnes se trouvant à proximité (figure 3).
- **Assurez-vous que la zone dans laquelle vous faites la coupe est dépourvue d'obstacles.** Assurez-vous que le bout du guide-chaîne ne rencontre ni grume, ni branche, ni clôture, ni tout autre obstacle pendant que vous manipulez la scie à chaîne.
- **L'outil doit toujours tourner à pleine vitesse lors des coupes.** Enfoncez complètement la gâchette et conservez la vitesse de coupe.
- **Une compréhension basique du principe de l'effet de rebond vous permettra de réduire ou d'éliminer l'élément de surprise (Fig. 4 – Fig. 6).** La surprise contribue aux accidents.
- **Gardez une posture sécuritaire et un bon équilibre en tout temps.**
- **Évitez tout contact involontaire avec la chaîne de la scie immobile ou la rainure du guide-chaîne. Elles peuvent être très coupantes.** Portez toujours des gants et des pantalons ou des jambières de protection pour manipuler la scie à chaîne, la chaîne de la scie ou le guide-chaîne.



- **N'utilisez jamais une scie à chaîne endommagée, mal ajustée ou qui n'est pas assemblée complètement et de façon sécuritaire.** Assurez-vous que la chaîne de la scie s'immobilise quand vous relâchez la gâchette.
- **Inspectez l'ouvrage à couper au préalable pour vous assurer qu'il ne comporte pas de clous, de fils de fer ou d'autres corps étrangers. Pour une opération de tronçonnage, sécurisez l'ouvrage avant de commencer à couper. Pour abattre ou élaguer un arbre, identifiez les branches dangereuses et sécurisez-les.**
- **Une coupe mal exécutée, effectuée avec brusquerie ou un usage inapproprié de la scie à chaîne pourraient user prématurément le guide-chaîne, la chaîne ou le pignon d'entraînement et occasionner le bris de ces éléments (donnant lieu à des rebonds), le déraillement de la chaîne ou l'éjection de matériaux.**
- **N'utilisez jamais la barre de guidage comme s'il s'agissait d'un levier.** Une barre de guidage tordue peut entraîner une usure prématurée de la barre, de la chaîne et/ou du pignon, ainsi que la rupture de la chaîne ou de la barre, entraînant un rebond, un jet de chaîne ou l'éjection de matériau.
- **Ne coupez qu'une pièce à travailler à la fois.**
- **Poussée et traction** – la force d'un rebond va toujours dans la direction opposée à celle de la chaîne à l'endroit où le contact avec le bois a lieu. Cela veut dire que vous devez être prêt à contrôler la TRACTION lorsque vous coupez à l'aide du bas du guide-chaîne et que vous devez résister à la POUSSÉE lorsque vous coupez avec le haut du guide-chaîne (figure 7).
- **Planifiez votre travail en vous assurant qu'il n'y a pas d'obstacle dans la zone de travail et, si vous voulez abattre un arbre, prévoyez au moins une voie de secours qui ne sera pas bloquée par l'arbre qui va tomber.**



- **Lorsque vous avez l'intention d'abattre un arbre, demandez aux personnes présentes de rester à au moins deux longueurs d'arbre de distance.**
- **N'incinerez pas cet équipement, même s'il est gravement endommagé.**
Les piles peuvent exploser en cas d'incendie.
- **Utilisez le produit uniquement avec les blocs-piles et les chargeurs indiqués ci-dessous :**

BLOC-PILES	CHARGEUR
BA1400, BA1400-FC, BA2800, BA2800-FC, BA4200, BA4200-FC, BA1400T, BA1400T-FC, BA2240T, BA2240T-FC, BA2242T, BA2242T-FC, BA2800T, BA2800T-FC, BA4200T, BA4200T-FC, BA5600T, BA5600T-FC, BA6720T, BA6720T-FC	CH2100, CH2100-FC, CH5500, CH5500-FC, CH2800D, CH2800D-FC, CH7000, CH7000-FC, CH3200, CH3200-FC

- **N'exposez pas un bloc-piles ou un outil à un feu ou à une température excessive.**
- **N'exposez pas un bloc-piles ou un outil à un feu ou à une température excessive. L'exposition à un incendie ou à une température supérieure à 100° C / 212° F pourrait causer une explosion.**
- **S'il se produit une situation qui ne figure pas dans le présent manuel, faites preuve de prudence et de jugement. Communiquez avec le centre de service EGO pour obtenir de l'aide.**

CONSERVEZ CES INSTRUCTIONS!

LEXIQUE TERMINOLOGIQUE

Huileur automatique : Un système qui lubrifie automatiquement la barre de guidage et la chaîne de la scie.

Sciage en travers : Le processus de coupe en travers / tronçonnage d'un arbre abattu ou d'une bûche dans le sens de la longueur.

Crampons d'appui pour le sciage en travers / tronçonnage : La ou les dents pointues utilisées lors de l'abattage ou du sciage en travers pour faire pivoter la scie et maintenir sa position pendant le sciage.

Frein de la chaîne : Un dispositif utilisé pour arrêter immédiatement la chaîne de la scie.

Bloc-moteur de la scie à chaîne : Une scie à chaîne sans la chaîne de la scie ou la barre de guidage.

Pignon d'entraînement : La partie dentée qui entraîne la chaîne de la scie.

Abattage : Le processus d'abattage d'un arbre.

Coupe d'abattage arrière : La coupe finale dans une opération d'abattage d'arbres, effectuée sur le côté opposé de l'arbre par rapport à la coupe d'entaille initiale.

Effet de rebond/choc en retour : Le mouvement vers l'arrière ou vers le haut, ou les deux, de la barre de guidage, qui se produit lorsque la chaîne de la scie près du haut de la zone supérieure de la barre de guidage entre en contact avec un objet, tel qu'une bûche ou une branche, ou lorsque le bois se referme et pince la chaîne de la scie dans la coupe.

Chaîne à faible effet de rebond : Une chaîne qui répond aux exigences de performance en matière d'effet de rebond de la norme ANSI B175.1 lorsqu'elle est testée sur un échantillon représentatif de scies à chaîne.

Position de coupe normale : Ces positions sont assumées dans l'exécution des coupes de sciage en travers et d'abattage.

Coupe d'entaille initiale : Une encoche coupée dans un arbre qui détermine le sens de la chute de l'arbre.

Barre de guidage à effet de rebond réduit : Une barre de guidage dont il a été démontré qu'elle réduit considérablement l'effet de rebond.

INTRODUCTION

Félicitations pour votre choix de la nouvelle génération de scie à chaîne à pile au lithium-ion de 56 V. Elle a été conçue, développée et fabriquée pour vous donner le plus possible de fiabilité et de rendement.

Si vous éprouvez un problème que vous n'arrivez pas à régler facilement, veuillez communiquer avec le centre de service à la clientèle d'EGO au 1 855 EGO-5656.

Le présent guide contient des renseignements importants pour assembler, utiliser et entretenir en toute sécurité votre scie à chaîne. Lisez-le soigneusement avant d'utiliser la scie à chaîne.

Conservez ce guide à portée de main afin de pouvoir le consulter à tout moment.

NUMÉRO DE SÉRIE _____ DATE D'ACHAT _____

NOUS VOUS RECOMMANDONS DE NOTER LE NUMÉRO DE SÉRIE ET LA DATE D'ACHAT ET DE LES CONSERVER EN LIEU SÛR AFIN DE POUVOIR LES CONSULTER ULTÉRIEUREMENT.

CARACTÉRISTIQUES TECHNIQUES

Tension	56 V, courant continu
Longueur du guide-chaîne	400 mm (16 po)
Pas de chaîne	9,5 mm (3/8 po)
Calibre	1,1 mm (0,043 po)
Type de chaîne	AC1600
Type de guide-chaîne	AG1600
Nombre de maillons d'entraînement	56
Capacité du réservoir d'huile de la chaîne	150 ml (5 oz)
Température de fonctionnement recommandée	-15°C-40°C(5°F-104°F)
Température de stockage recommandée	-20°C-70°C(-4°F-158°F)
Poids net (sans le bloc-piles et la gaine de la chaîne)	4,1 kg / 9,0 lb

Guide-chaîne et chaîne recommandés pour cette scie à chaîne

NOM DE PIÈCE	NUMÉRO DE MODÈLE
Chaîne de la scie	AC1600/AC1400
Guide-chaîne	AG1600/AG1400

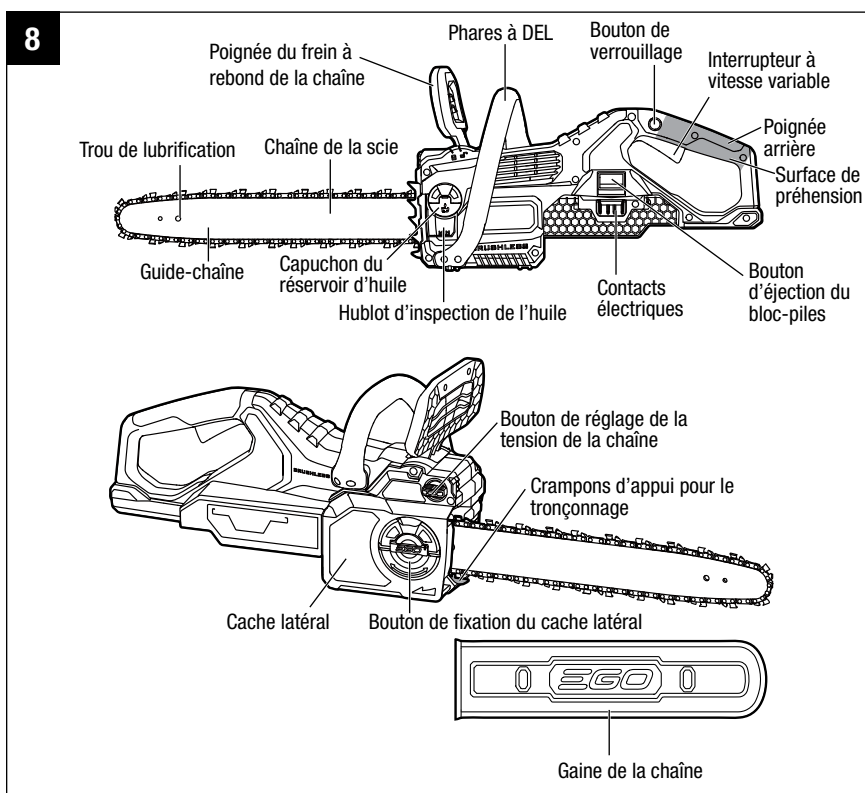
LISTE DES PIÈCES CONTENUES DANS L'EMBALLAGE

NOM DE PIÈCE	QUANTITY
Chaîne de la scie	1
Gaine de la chaîne	1
GUIDE D'UTILISATION	1

DESCRIPCIÓN

FAMILIARISEZ-VOUS AVEC VOTRE SCIE À CHAÎNE (Fig. 8)

Pour utiliser ce produit en toute sécurité, vous devez comprendre les renseignements figurant sur le produit et dans le présent guide d'utilisation et connaître le projet que vous entreprenez. Avant d'utiliser ce produit, familiarisez-vous avec toutes les caractéristiques de fonctionnement et consignes de sécurité.



Poignée du frein à rebond de la chaîne

Sert à activer ou désactiver le frein de la chaîne. Cette poignée sert aussi de protection contre les branches saillantes et aide à empêcher que la main gauche ne touche à la chaîne de la scie si elle glisse de la poignée avant.

Interrupteur à vitesse variable

Permet de mettre en marche et d'arrêter la scie à chaîne et d'ajuster la vitesse de la chaîne.

Chaîne de la scie

Contribue à empêcher une activation accidentelle ou non autorisée de l'interrupteur gâchette. Il doit être enfoncé avant que l'interrupteur à gâchette puisse être activé.

Bouchon du réservoir à huile

Ferme le réservoir à huile de façon étanche.

Fenêtre d'inspection du niveau d'huile

Permet de voir quel est le niveau d'huile dans le réservoir d'huile.

Barre de guidage

Supporte et guide la chaîne de la scie.

Chaîne de la scie

Une boucle de la chaîne ayant des dents de coupe qui coupent le bois quand elle est entraînée par le bloc-moteur de la scie à chaîne et supportée par la barre de guidage.

Poignée avant

La poignée de support pour la main gauche à l'avant de la scie à chaîne.

Poignée arrière

La poignée de support pour la main droite, située à l'arrière de la scie. Tenez toujours la scie à chaîne avec votre main droite placée sur la poignée arrière et votre main gauche sur la poignée avant.

Bouton de réglage rapide de la tension de la chaîne

Permet un réglage rapide et précis de la tension de la chaîne sans l'aide d'un dispositif auxiliaire.

Cache latéral

Couvre les maillons d'entraînement de la Conduite et sécurise la barre de guidage

Bouton de fixation du cache latéral

Verrouille/déverrouille le cache latéral

Bouton d'éjection du bloc-piles

Appuyez sur ce bouton pour détacher le bloc-piles de l'outil.

Crampons d'appui pour le sciage en travers / tronçonnage

La ou les dents pointues utilisées lors de l'abattage ou du sciage en travers pour faire pivoter la scie et maintenir sa position pendant le sciage afin d'empêcher le bois de glisser. Ils peuvent améliorer l'efficacité de la coupe.

ASSEMBLAGE

⚠ AVERTISSEMENT : S'il y a des pièces manquantes ou endommagées, ne tentez pas d'utiliser cet article tant que ces pièces n'auront pas été remplacées. Le fait d'utiliser cet article avec des pièces endommagées ou manquantes pourrait entraîner des blessures graves.

⚠ AVERTISSEMENT : Ne tentez pas de modifier cet article ou de créer des accessoires qui ne sont pas recommandés pour cet article. Toute modification est considérée comme un usage inapproprié et peut créer une situation dangereuse susceptible d'entraîner des blessures graves.

⚠ AVERTISSEMENT : Pour empêcher une mise en marche accidentelle pouvant causer des blessures graves, enlevez toujours le connecteur de l'outil lorsque vous assemblez des pièces, procédez à des ajustements ou à son nettoyage ou lorsque l'outil n'est pas utilisé.

DÉBALLAGE

Ce produit é été complètement assemblé avant l'expédition.

- Retirez soigneusement l'outil et toutes les pièces de l'emballage. Assurez-vous que toutes les pièces mentionnées sur la liste de l'emballage sont présentes.
- Inspectez soigneusement l'outil pour vérifier qu'il n'a pas été endommagé pendant l'expédition.
- Ne jetez pas le matériel d'emballage avant d'avoir inspecté soigneusement la scie à chaîne et de l'avoir fait fonctionner de manière satisfaisante.
- Si des pièces sont endommagées ou manquantes, veuillez contacter le service après-vente d'EGO pour obtenir de l'assistance.

FONCTIONNEMENT

⚠ AVERTISSEMENT : Ne laissez pas l'habitude de l'utilisation de ce produit vous empêcher de prendre toutes les précautions requises. N'oubliez jamais qu'une fraction de seconde d'inattention suffit pour entraîner de graves blessures.

⚠ AVERTISSEMENT : Utilisez toujours un équipement de protection des yeux indiquant qu'il est conforme à la norme ANSI Z87.1. Si vous ne portez pas un tel dispositif de protection, vous pourriez subir des blessures graves, y compris en conséquence de la projection d'objets dans vos yeux.

⚠ AVERTISSEMENT : N'utilisez pas d'attachements ou d'accessoires qui ne sont pas recommandés par le fabricant de ce produit. L'utilisation d'attachements ou d'accessoires qui ne sont pas recommandés peut causer des blessures graves.

Avant chaque utilisation, inspectez périodiquement l'intégralité du produit pour vous assurer qu'il n'y a pas de pièces endommagées, manquantes ou desserrées comme des vis, des écrous, des boulons, des capuchons, etc. Serrez à fond tous les dispositifs de fixation et capuchons, et ne vous servez pas de ce produit avant que toutes les pièces manquantes ou endommagées aient été remplacées.

APPLICATION

Vous pouvez utiliser ce produit pour l'abattage de base, l'ébranchage, l'élagage et la coupe du bois et des arbres.

REPLISSAGE DU RÉSERVOIR D'HUILE AVEC UN LUBRIFIANT POUR BARRES ET CHÂÎNES

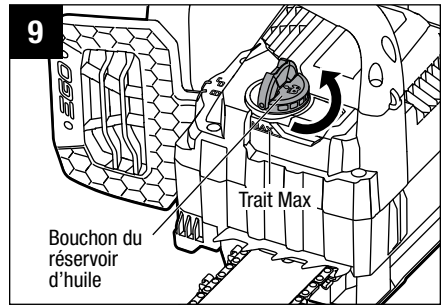
⚠ AVERTISSEMENT : Pour éviter tout démarrage accidentel pouvant entraîner des blessures graves, débranchez toujours le bloc-piles de l'outil avant de remplir le réservoir avec de l'huile.

⚠ AVERTISSEMENT : Ne fumez pas et ne transportez pas de flamme ou de feu à proximité de l'huile ou de la scie à chaîne. De l'huile pourrait se renverser et causer un incendie.

AVIS : La scie à élaguer à chaîne n'est pas remplie d'huile au moment de l'achat. Il est essentiel de remplir le réservoir d'huile avant de commencer à utiliser la scie. L'utilisation de la scie à chaîne sans huile pour chaîne ou lorsque le niveau d'huile est inférieur à la marque minimum causera un endommagement de la scie à chaîne. La durée de vie de la chaîne et sa capacité de coupe dépendent d'une lubrification optimale. La chaîne de la scie est lubrifiée automatiquement avec de l'huile pour chaîne pendant le fonctionnement.

1. Détachez le bloc-piles de la scie à chaîne.
2. Nettoyez le bouchon du réservoir à huile et la zone adjacente pour vous assurer qu'il n'y aura pas de saletés qui tomberont dans le réservoir à huile.

3. Positionnez la scie à chaîne sur son côté sur une surface ferme et plate, de telle sorte que le bouchon du réservoir soit orienté vers le haut. Soulevez la languette semi-circulaire. Saisissez la languette et tournez le bouchon du réservoir d'huile dans le sens contraire des aiguilles d'une montre pour le retirer (Fig. 9).



4. Versez l'huile pour barres et chaînes dans le réservoir en prenant les précautions nécessaires. Remplissez jusqu'au trait MAX, puis essuyez l'excédent d'huile.
5. Remettez le bouchon en place. Assurez-vous que le bouchon du réservoir d'huile est bien fixé en place.

AVIS :

- N'utilisez jamais de l'huile ou d'autres lubrifiants qui ne sont pas conçus spécifiquement pour une utilisation sur des barres et des chaînes. Ceci pourrait causer une obstruction du système d'huile, qui risquerait d'entraîner une usure prématurée de la barre et de la chaîne.
- Vérifiez fréquemment le niveau d'huile, et remplissez à nouveau le réservoir lorsque le niveau d'huile tombe en dessous du trait indiquant le niveau minimum. N'utilisez jamais la scie à chaîne si l'huile n'est pas visible.
- N'utilisez pas d'huile sale, usagée ou contaminée par ailleurs. Ceci pourrait endommager la barre ou la chaîne.

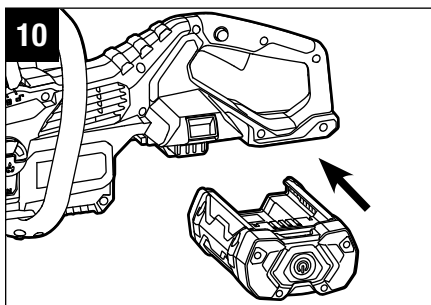
- Il est normal que de l'huile suinte de la scie quand celle-ci n'est pas utilisée. Pour empêcher de tels suintements, vidangez l'huile du réservoir après chaque utilisation, puis laissez fonctionner la scie à vide pendant une minute. Lorsque vous rangez l'outil en pensant ne pas vous en servir pendant une longue période, veillez à ce que la chaîne soit légèrement lubrifiée. Cela évitera la rouille sur la chaîne et le pignon de la barre.
- Pour préserver les ressources naturelles, veuillez recycler ou éliminer l'huile conformément aux règlements applicables. Consultez votre service municipal responsable de la gestion des déchets pour déterminer quelles sont les options de recyclage et/ou d'élimination possibles.

INSTALLATION ET RETRAIT DU BLOC-PILE (Fig. 10 & 11)

REMARQUE : Chargez complètement le bloc-piles avant de vous en servir pour la première fois.

Installation (Fig. 10)

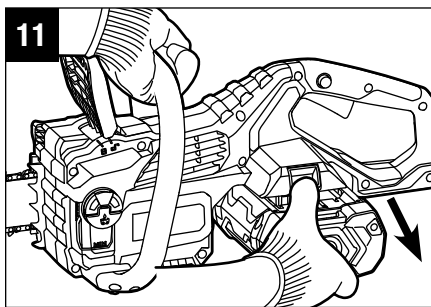
1. Alignez les nervures du bloc-piles sur les fentes de montage du port des piles de la scie à chaîne.
2. Faites glisser le bloc-piles à l'intérieur de l'outil jusqu'à ce qu'il se mette dans la position correcte (vous entendrez un déclic).



AVIS : Assurez-vous que le loquet de verrouillage sur la scie à chaîne est bien en place et que le bloc-piles est bien assujéti à l'outil avant de commencer à l'utiliser.

Retrait (Fig. 11)

⚠ AVERTISSEMENT : Contrôlez toujours la position de vos pieds et les endroits où se trouvent les enfants et les animaux domestiques avant d'appuyer sur le bouton d'éjection des piles. Ne retirez **JAMAIS** le bloc-piles lorsque vous vous trouvez à un endroit surélevé. La chute du bloc-piles pourrait causer des blessures graves.



1. Tenez le bloc-piles dans la paume de votre main.
2. Appuyez sur le bouton d'éjection des piles avec votre pouce pour détacher le bloc-piles du loquet de verrouillage.
3. Saisissez le bloc-piles et détachez-le de la scie à chaîne.

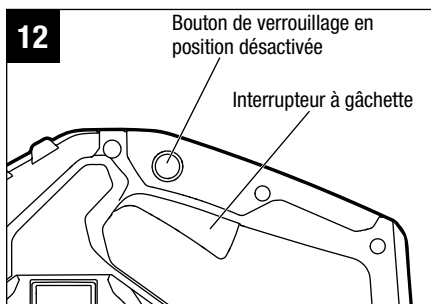
MISE EN MARCHÉ ET ARRÊT DE LA SCIE À CHAÎNE

Avant de mettre la scie à chaîne en marche :

1. Installez le bloc-pile.
2. Assurez-vous que la chaîne est correctement assemblée et que sa tension est appropriée. Si la tension doit être ajustée, référez-vous à la rubrique intitulée « **Réglage de la tension de la chaîne** » dans la « section « **Maintenance** » de ce mode d'emploi pour obtenir des instructions sur son réglage.
3. Vérifiez la tension du bouton de fixation du cache latéral avant toute utilisation. S'il n'est pas suffisamment serré, serrez à fond le bouton de fixation du cache latéral en le tournant dans le sens des aiguilles d'une montre.
4. Vérifiez le niveau de l'huile et remplissez le réservoir selon les besoins.
5. Vérifiez les dents de coupe de la chaîne de la scie pour vous assurer qu'elles sont bien affûtées.
6. Assurez-vous que la poignée du frein en cas d'effet de rebond de la chaîne se déplace facilement vers la position de freinage et qu'elle se déplace facilement entre la position de freinage et la position de fonctionnement.
7. Tenez toujours la scie à chaîne avec les deux mains : la main droite placée sur la poignée arrière et la main gauche sur la poignée avant.
8. Tenez-vous droit, tenez la scie à chaîne dans une position détendue et assurez-vous que la chaîne de la tronçonneuse ne touche pas le sol ou d'autres objets.
9. Assurez-vous que vous êtes solidement sur vos pieds et bien équilibré(e). Regardez s'il n'y a pas d'obstacles tels que des souches de troncs d'arbres des racines et des fossés qui pourraient vous faire trébucher ou tomber.

Mise en marche de la scie à chaîne (Fig. 12)

1. Installez le bloc-piles.
2. Assurez-vous qu'il n'y a pas d'objets ou d'obstructions à proximité immédiate qui pourraient entrer en contact avec la barre et la chaîne.
3. Tirez la poignée du frein à rebond de la chaîne vers la poignée avant pour la mettre en position de démarrage (Fig. 12).
4. Saisissez fermement les poignées avant et arrière avec les deux mains.
5. Appuyez et maintenez enfoncé le bouton de verrouillage en position désactivée avec le pouce de votre main droite, puis appuyez sur l'interrupteur à gâchette de variateur de vitesse avec les doigts de votre main droite pour faire démarrer la scie.
6. Relâchez le bouton de verrouillage en position désactivée et continuez à comprimer le levier de l'interrupteur à gâchette de variateur de vitesse pour recommencer à utiliser votre outil.



Pour arrêter la scie à chaîne

1. Éloignez la scie à chaîne de la zone de coupe, puis relâchez l'interrupteur à gâchette de variateur de vitesse pour arrêter la scie à chaîne.
2. Poussez la palette du frein de la chaîne en cas d'effet de rebond vers l'avant en position de freinage pour engager le frein de la chaîne (Fig. 1).

⚠ AVERTISSEMENT : Retirez toujours le bloc-piles de la scie à chaîne pendant les pauses et après avoir fini votre travail.

PRÉPARATION POUR LA COUPE

Reportez-vous à la section « **Consignes de sécurité importantes** » plus haut dans ce mode d'emploi pour déterminer quel est l'équipement de sécurité approprié.

Précautions à prendre dans la zone de travail

- Ne coupez que du bois ou des matériaux fabriqués à partir de bois. Ne coupez pas de tôle, de plastique, de maçonnerie ou de matériaux de construction autres que du bois.
- Ne laissez jamais des enfants utiliser la scie à chaîne.
- Ne permettez à personne d'utiliser cette scie à chaîne sans avoir lu ce Mode d'emploi ou sans avoir reçu des instructions adéquates pour l'utilisation sûre et correcte de cette scie à chaîne.
- Lorsque vous abattez un arbre, gardez tout le monde – assistants, spectateurs, enfants et animaux – à une distance de sécurité par rapport à la zone de coupe. Pendant les opérations d'abattage, la distance de sécurité doit être au moins égale à deux fois la hauteur des plus grands arbres de la zone d'abattage. Pendant les opérations de sciage en travers, faites respecter une distance minimale de 4,5 m / 15 pi entre les travailleurs. Les arbres ne doivent pas être abattus d'une manière qui mettrait en danger une personne, ou pourrait heurter une ligne électrique ou causer des dommages matériels. Si un arbre entre en contact avec une ligne électrique, éloignez-vous de l'arbre et de la ligne, et prévenez immédiatement la compagnie d'électricité.
- Coupez toujours avec les deux pieds sur un sol ferme pour ne pas risquer de perdre l'équilibre.
- Ne coupez pas au-dessus de la hauteur de la poitrine, car une scie tenue plus haut est difficile à contrôler contre les forces de rebond.
- N'abattez pas d'arbres à proximité de fils électriques ou de bâtiments.
- Ne coupez que lorsque la visibilité et la lumière sont suffisantes pour que vous puissiez voir clairement.

Préhension appropriée des poignées

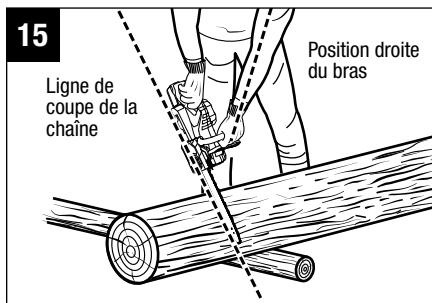
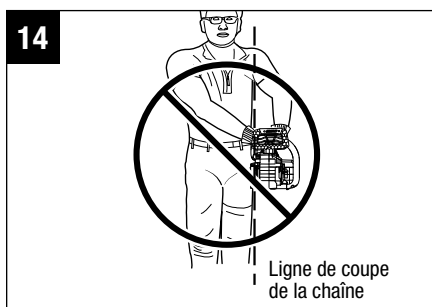
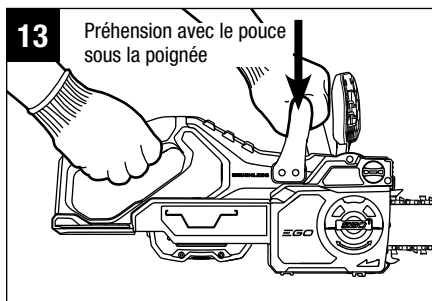
- Portez des gants antidérapants pour assurer la meilleure prise et la meilleure protection possibles.
- La scie étant posée sur une surface plane et ferme, tenez-la fermement des deux mains.
- Saisissez toujours la poignée avant de la main gauche et la poignée arrière de la main droite.
- Les doigts doivent entourer la poignée, avec le pouce enroulé en dessous de la poignée avant (Fig. 13).

⚠ AVERTISSEMENT : N'utilisez jamais une prise pour gaucher (croisée) ou une position qui placerait votre corps ou votre bras en travers de la ligne de coupe de la chaîne.

⚠ AVERTISSEMENT : N'actionnez pas l'interrupteur à gâchette de variateur de vitesse avec la main gauche en tenant la poignée avant avec la main droite. Ne laissez jamais une partie quelconque de votre corps se trouver dans la ligne de coupe de la chaîne lorsque vous utilisez une scie à chaîne (Fig. 14).

Position de coupe correcte (Fig. 15)

- Les deux pieds doivent reposer sur un sol ferme de façon que votre poids soit réparti uniformément entre eux.
- Le bras gauche doit être tendu, avec le coude bloqué en place. Cela permet de résister aux forces pouvant être générées par un effet de rebond.
- Votre corps doit toujours se trouver à gauche de la ligne de coupe de la chaîne.



COUPE

Coupe de base

⚠ AVERTISSEMENT : Soyez toujours sûr(e) de votre position et tenez fermement la scie à chaîne des deux mains lorsque le moteur tourne.

Exercez-vous en coupant quelques petites bûches en utilisant la technique suivante pour vous habituer à l'utilisation de votre scie avant de commencer une opération de sciage importante :

1. Mettez-vous dans la bonne position devant le bois, avec la scie hors tension.
2. Appuyez sur le bouton de verrouillage en position désactivée et appuyez sur la gâchette pour faire démarrer la scie à chaîne. Attendez que la chaîne atteigne sa vitesse de croisière avant de commencer la coupe.
3. Commencez à couper en appuyant légèrement la barre de guidage contre le bois. N'exercez qu'une légère pression, en laissant la scie faire le travail.
4. Maintenez une vitesse régulière tout au long de la coupe, en relâchant la pression juste avant la fin de la coupe.
5. Relâchez la gâchette dès que la coupe est terminée, ce qui permet à la chaîne de s'arrêter.

⚠ AVERTISSEMENT : Lorsque la chaîne de scie s'arrête en raison d'un pincement pendant la coupe, relâchez l'interrupteur à gâchette du variateur de vitesse, retirez la chaîne de scie et la barre de guidage du bois, puis redémarrez la scie à chaîne.

⚠ AVERTISSEMENT : Ne tirez pas sur la chaîne de la scie avec votre main lorsqu'elle est immobilisée par de la sciure. Des blessures graves peuvent survenir si la scie à chaîne démarre accidentellement. Appuyez la chaîne de la scie contre le bois, et déplacez la scie d'avant en arrière pour évacuer les débris. Retirez toujours le bloc-piles avant de nettoyer la scie. Portez des gants de protection épais lorsque vous manipulez la chaîne de scie.

⚠ AVERTISSEMENT : Ne mettez jamais la scie à chaîne en marche quand elle est en contact avec le bois. Laissez toujours la scie à chaîne atteindre sa vitesse maximale avant de l'appliquer sur le bois.

ABATTAGE D'UN ARBRE

Conditions dangereuses

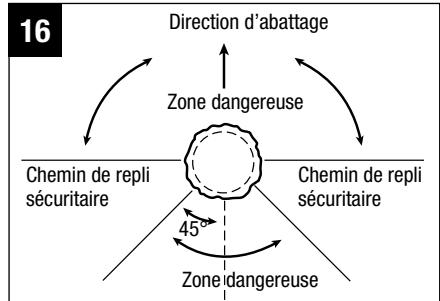
⚠ AVERTISSEMENT : Lors de l'abattage d'un arbre, il est important que vous teniez compte des avertissements suivants afin d'éviter d'éventuelles blessures graves.

- N'abattez pas d'arbres pendant les périodes de vent fort ou de fortes précipitations. Attendez que les conditions météorologiques dangereuses aient pris fin.
- N'abattez pas les arbres qui penchent à des angles extrêmes ou les grands arbres dont des branches sont pourries, dont l'écorce est détachée ou dont des troncs sont creux. Au lieu de cela, poussez ou traînez ces arbres avec des équipements lourds, puis coupez-les.
- N'abattez pas d'arbres à proximité de fils électriques ou de bâtiments.
- Vérifiez que l'arbre ne comporte pas de branches endommagées ou mortes qui pourraient tomber et vous frapper pendant l'abattage.
- Jetez périodiquement un coup d'œil au sommet de l'arbre pendant la coupe vers l'arrière pour vous assurer que l'arbre va tomber dans la direction souhaitée.
- Si l'arbre commence à tomber dans la mauvaise direction, ou si la scie se coince ou s'accroche pendant la chute, laissez la scie et éloignez-vous rapidement pour vous sauver la vie !

Préparation de l'abattage des arbres

- Lorsque des opérations de sciage en travers et d'abattage sont effectuées par deux personnes ou plus en même temps, l'opération d'abattage doit être séparée de l'opération de sciage en travers par une distance d'au moins deux fois la hauteur de l'arbre à abattre. Les arbres ne doivent pas être abattus d'une manière qui mettrait en danger une personne, qui pourrait heurter une ligne électrique ou causer des dommages matériels. Si un arbre entre en contact avec une ligne électrique, éloignez-vous de l'arbre et de la ligne, et prévenez immédiatement la compagnie d'électricité.
- L'opérateur de la scie à chaîne doit se tenir du côté le plus élevé de la pente, car l'arbre risque de rouler ou de glisser vers le bas de la pente après son abattage.

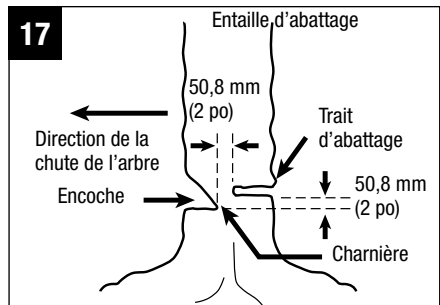
- Avant de commencer à couper, choisissez votre itinéraire de fuite (ou vos itinéraires, au cas où l'itinéraire prévu serait bloqué). Dégagez la zone immédiate autour de l'arbre et assurez-vous qu'il n'y a pas d'obstruction qui risquerait de vous empêcher de vous échapper en cas de besoin. Dégagez un chemin de repli sûr à environ 135° par rapport à la trajectoire de chute prévue. Le chemin de repli doit s'étendre en arrière et en diagonale par rapport à la trajectoire de chute prévue. Voir Fig. 16.



- Avant de commencer l'abattage, tenez compte de l'inclinaison naturelle de l'arbre, de l'emplacement des plus grosses branches et de la direction du vent pour déterminer dans quelle direction l'arbre va tomber.
- Enlevez la terre, les pierres, l'écorce détachée, les clous, les agrafes et le fil de fer pouvant se trouver sur l'arbre où les coupes d'abattage doivent être effectuées.

Coupe d'entaille initiale

Faites une entaille d'un tiers du diamètre de l'arbre, perpendiculairement à la direction de la chute, comme illustré à la Fig. 17. Faites d'abord l'entaille horizontale inférieure. Cela permet d'éviter le pincement de la chaîne de la scie ou de la barre de guidage lors de la réalisation de la deuxième entaille.



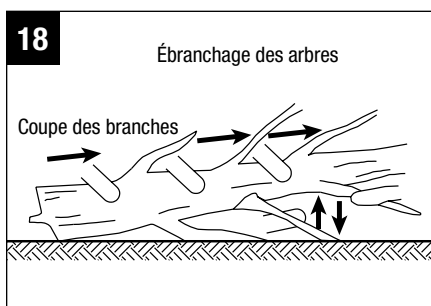
Coupe d'abattage arrière

- Faites la coupe d'abattage arrière au moins 5 cm / 2 po plus haut que la coupe d'entaille horizontale (voir Fig. 17). Maintenez la coupe d'abattage parallèle à la coupe d'entaille horizontale. Effectuez la coupe d'abattage arrière de manière à ce qu'il reste suffisamment de bois pour servir de charnière. Le bois de la charnière empêche l'arbre de se tordre et de tomber dans la mauvaise direction. Ne coupez pas à travers la charnière.

2. Lorsque la coupe d'abattage s'approche de la charnière, l'arbre devrait commencer à tomber. S'il y a un risque que l'arbre ne tombe pas dans la direction souhaitée ou qu'il bascule en arrière et bloque la chaîne de la scie, arrêtez la coupe avant la fin de l'abattage et utilisez des cales en bois, en plastique ou en aluminium pour ouvrir la coupe et faire tomber l'arbre le long de la trajectoire de chute souhaitée.
3. Lorsque l'arbre commence à tomber, retirez la scie à chaîne de la coupe, arrêtez le moteur, posez la scie à chaîne, puis utilisez le chemin de repli prévu. Observez attentivement les chutes de branches aériennes et faites attention aux endroits où vous mettez les pieds.

ÉBRANCHAGE

L'ébranchage consiste à enlever les branches d'un arbre tombé. Lors de l'ébranchage, laissez les plus grosses branches en place pour soutenir le tronc au-dessus du sol. Enlevez les petites branches en une seule coupe, comme illustré à la Fig. 18. Les branches sous tension doivent être coupées de bas en haut pour éviter de bloquer la scie à chaîne.

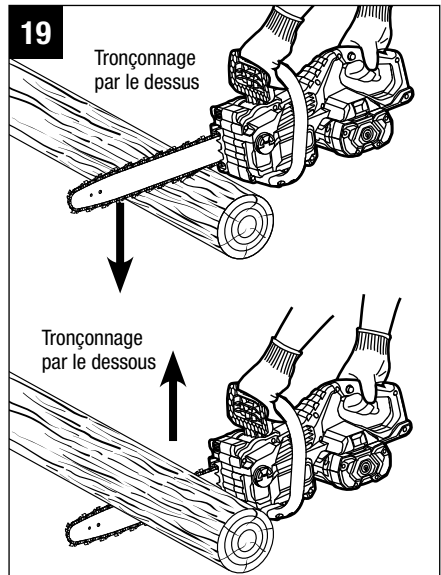


⚠ AVERTISSEMENT : Il existe un risque extrême de rebond pendant l'opération d'ébranchage. Soyez extrêmement prudent(e) et évitez de toucher le tronc ou d'autres branches avec l'extrémité de la barre de guidage.

SCIAGE D'UNE BÛCHE EN TRAVERS (Fig. 19) :

Le sciage en travers consiste à couper une grume en longueurs. Il est important de s'assurer que vous êtes fermement sur vos pieds et que votre poids est réparti uniformément sur les deux pieds. Dans la mesure du possible, la grume doit être soulevée et soutenue au-dessus du sol par l'utilisation de branches, de bûches ou de cales. Suivez les instructions simples pour une coupe facile.

⚠ AVERTISSEMENT : Gardez la zone de coupe bien dégagée. Veillez à ce qu'aucun objet ne puisse entrer en contact avec la pointe de la barre de guidage et la chaîne pendant la coupe – cela pourrait provoquer un rebond.



Sciage en travers depuis le haut

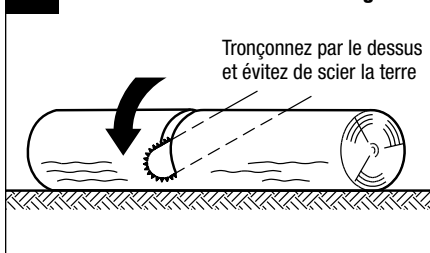
Commencez par le côté supérieur de la bûche, le bas de la scie étant placé contre la bûche ; exercez une légère pression vers le bas. Notez que la scie aura tendance à s'éloigner de vous.

Sciage en travers depuis le bas

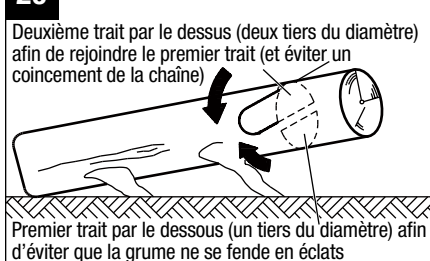
Commencez par le côté inférieur de la bûche, le haut de la scie étant placé contre la bûche ; exercez une légère pression vers le haut. Lors du sciage en travers depuis le bas, la scie aura tendance à se repousser vers vous. Soyez préparé(e) à cette réaction, et tenez fermement la scie pour en garder le contrôle.

- Lorsque la bûche est soutenue sur toute sa longueur, elle doit être coupée depuis le haut (sciage en travers depuis le haut) (Fig. 20).
- Lorsque la bûche n'est soutenue que par une seule extrémité, coupez 1/3 du diamètre de la face inférieure (sciage en travers depuis le bas). Effectuez ensuite la coupe de finition en effectuant un sciage en travers depuis le haut pour rejoindre la première coupe (Fig. 21).
- Lorsque la bûche est soutenue aux deux extrémités, coupez 1/3 de ce diamètre depuis le haut. Ensuite, effectuez la coupe finale en coupant les 2/3 inférieurs depuis le bas pour rejoindre la première coupe (Fig. 22).
- Lorsque vous faites du sciage en travers sur une pente, tenez-vous toujours du côté qui est plus haut que l'endroit où se trouve la bûche (Fig. 23).

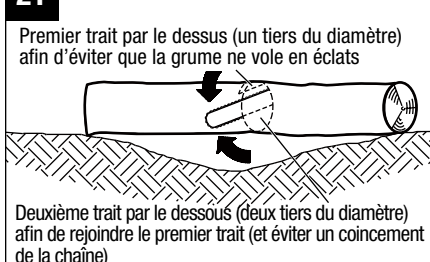
20 Grume soutenue sur toute sa longueur



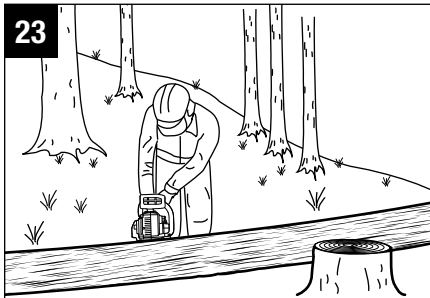
20 Grume soutenue à une extrémité



21 Grume soutenue aux deux extrémités



23



- Pour garder un contrôle total lors de la coupe, relâchez la pression de coupe vers la fin de la coupe sans relâcher la prise sur les poignées de la scie à chaîne. Ne laissez pas la chaîne entrer en contact avec le sol. Après avoir terminé la coupe, attendez que la chaîne de la scie s'arrête avant de déplacer la scie à chaîne. Arrêtez toujours le moteur avant de vous déplacer d'arbre en arbre.

ENTRETIEN

⚠ AVERTISSEMENT : Lors de toute réparation, n'utilisez que des pièces de rechange identiques. L'utilisation de toutes autres pièces de rechange pourrait créer un danger ou endommager le produit.

⚠ AVERTISSEMENT : Portez toujours des lunettes de sécurité ou de protection avec des écrans latéraux pendant le fonctionnement d'un outil électrique ou lorsque vous soufflez de la poussière. Si la procédure produit de la poussière, portez également un masque de protection contre la poussière.

⚠ AVERTISSEMENT : Pour éviter des blessures graves, retirez toujours le bloc-piles de la scie à chaîne lorsque vous l'inspectez ou la nettoyez, ou quand vous effectuez des travaux de maintenance. Un outil alimenté par des piles dont le bloc-piles est inséré est toujours prêt à fonctionner, et il pourrait se déclencher accidentellement.

⚠ AVERTISSEMENT : Lors du nettoyage de la scie à chaîne, NE l'immergez PAS dans l'eau ou dans d'autres liquides.

⚠ AVERTISSEMENT : Ne laissez jamais de liquide de frein, d'essence, de produits à base de pétrole, d'huiles pénétrantes, etc. entrer en contact avec des composants en plastique. Les produits chimiques peuvent endommager, affaiblir ou détruire le plastique, ce qui pourrait causer des blessures graves.

NETTOYAGE

- Après chaque utilisation, nettoyez les débris de la chaîne de la scie et de la barre de guidage avec une brosse non abrasive. Essuyez la surface de la scie à chaîne avec un chiffon propre humidifié avec une solution de savon doux.
- Retirez le cache latéral, puis utilisez une brosse douce pour éliminer les débris de la barre de guidage, de la chaîne de scie, du pignon et du cache latéral.
- Nettoyez toujours les copeaux de bois, la poussière de la scie et les saletés de la rainure de la barre de guidage lorsque vous remettez la chaîne de la scie en place.

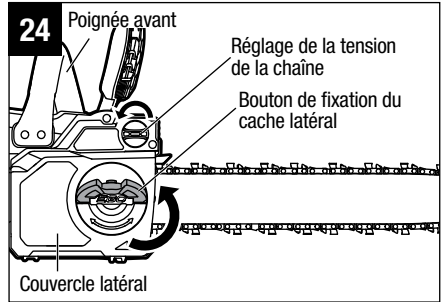
REEMPLACER LE GUIDE-CHAÎNE ET LA CHAÎNE

⚠ AVERTISSEMENT : Ne touchez ni n'ajustez jamais la chaîne pendant que le moteur tourne. La chaîne de la scie est très tranchante; portez toujours des gants de protection lorsque vous en effectuez l'entretien.

AVIS : Lors du remplacement du guide-chaîne et de la chaîne, utilisez toujours la combinaison indiquée dans la précédente section « **Guide-chaîne et chaîne recommandés pour cette scie à chaîne** ».

Démonter le guide-chaîne et la chaîne usés

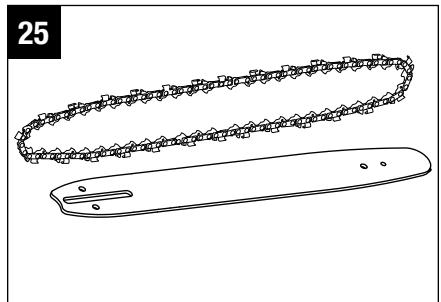
1. Retirez les piles. Laissez la scie refroidir, puis serrez le bouchon du réservoir d'huile pour éviter que l'huile ne se répande.
2. Placez la scie à chaîne sur le côté sur une surface solide et plane, de façon à ce que le panneau latéral pointe vers le haut (Fig. 24).
3. Portez des gants. Retirez le panneau latéral en tournant sa poignée dans le sens contraire des aiguilles d'une montre (Fig. 24). Utilisez un linge sec pour nettoyer le panneau.
4. Tournez le bouton de réglage de la tension de la chaîne dans le sens contraire des aiguilles d'une montre (Fig. 24). Retirez la barre et la chaîne de la surface de montage. Retirez la chaîne de la scie usagée de la barre de guidage.



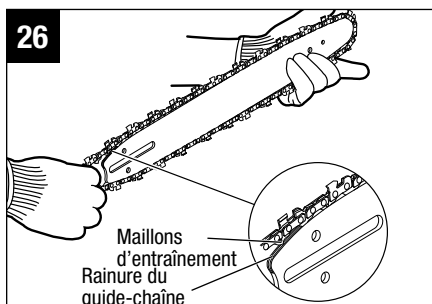
AVIS : Le moment est bien choisi pour vérifier l'absence d'usure ou de dommages excessifs sur le pignon d'entraînement

Assembler le nouveau guide-chaîne et la nouvelle chaîne

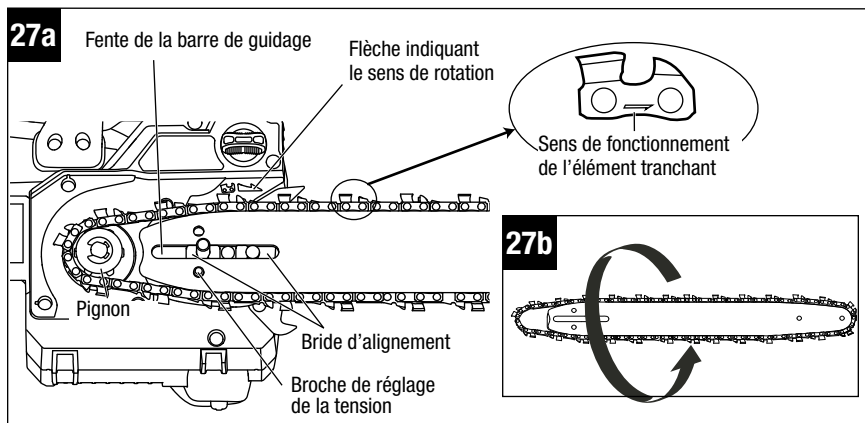
1. Faites une boucle sur une surface plane avec la nouvelle chaîne en redressant tout pli (Fig. 25)



2. Insérez les maillons d'entraînement dans la rainure du guide-chaîne. Positionnez la chaîne de la scie de façon qu'une boucle se forme à l'arrière du guide-chaîne (Fig. 26).
3. Tenez la chaîne en place sur le guide-chaîne et entourez le pignon d'entraînement de l'ensemble moteur avec la boucle.



AVIS : De petites flèches indiquant des directions sont gravées dans la chaîne de la scie et sur le cache latéral (Fig. 27a). Lorsque vous enrroulez la chaîne de la scie sur le pignon, veillez à ce que le sens des flèches sur la chaîne de la scie corresponde au sens de la flèche sur le cache latéral. Si elles sont orientées dans des sens opposés, retournez l'ensemble de chaîne de la scie et de barre de guidage (Fig. 27b).



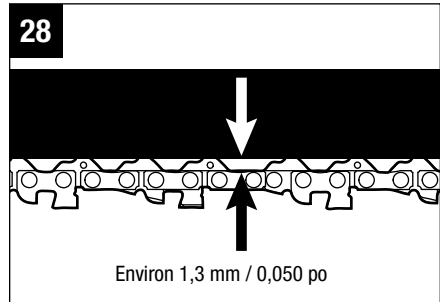
4. Placez la barre de guidage sur la surface de montage en faisant glisser la fente de la barre de guidage sur les brides d'alignement, en vous assurant que la broche de réglage de la tension est insérée dans le trou inférieur de la queue de la barre (Fig. 27a).
5. Remettez le cache latéral en place et serrez légèrement le bouton de fixation du cache latéral en le tournant dans le sens des aiguilles d'une montre. La barre doit être libre de bouger pour permettre le réglage de la tension.
6. Tendez la chaîne en suivant les instructions du chapitre « **RÉGLAGE DE LA TENSION DE LA CHAÎNE** ».

AVIS : Pour prolonger la durée de vie de la barre de guidage, inversez la barre de temps en temps.

⚠ MISE EN GARDE : La chaîne de la scie doit être correctement tendue avant d'être utilisée.

Réglage de la tension de la chaîne

1. Arrêtez le moteur et retirez le bloc-piles avant de régler la tension de la chaîne.
2. Desserrez le bouton de fixation du cache latéral jusqu'à ce qu'il soit seulement serré à fond à la main.
3. Tournez le bouton de réglage de la tension de la chaîne dans le sens des aiguilles d'une montre jusqu'à ce que la chaîne repose en étant bien serrée contre la barre de guidage avec les maillons d'entraînement bien à leur place dans la rainure de la barre de guidage. La chaîne est correctement tendue lorsqu'il n'y a pas d'affaissement sur la face inférieure de la barre de guidage et quand la chaîne est bien serrée, mais en pouvant être tournée à la main sans se bloquer.
4. Si la chaîne est trop tendue pour tourner, tournez le bouton de réglage de la tension de la chaîne dans le sens contraire des aiguilles d'une montre pour relâcher la tension de la chaîne. Puis resserrez la chaîne en suivant les instructions de l'étape 3.
5. Resserrez le bouton de fixation du cache latéral.
 - Une chaîne froide est correctement tendue lorsqu'il n'y a pas d'affaissement sur la face inférieure de la barre de guidage et quand la chaîne est bien serrée, mais en pouvant être tournée à la main sans se bloquer. La chaîne doit être retendue chaque fois que les méplats des maillons d'entraînement ne se trouvent pas dans la rainure de la barre.
 - Pendant le fonctionnement normal de la scie, la température de la chaîne augmente. Les maillons d'entraînement d'une chaîne chaude correctement tendue dépassent d'environ 1,3 mm (0,050 po) la rainure de la barre de guidage (Fig. 28).



AVIS : Les nouvelles chaînes ont tendance à s'étirer. Vérifiez fréquemment la tension de la chaîne et réglez-la si nécessaire.

AVIS : Une chaîne tendue lorsqu'elle est chaude peut être trop serrée lorsqu'elle refroidit. Vérifiez la tension à froid avant la prochaine utilisation.

ENTRETIEN DE LA CHAÎNE

N'utilisez que des chaînes à faible rebond avec cette scie. Une telle chaîne à coupe rapide offrira une réduction du rebond si elle est bien entretenue.

Une chaîne bien affûtée coupe le bois sans effort, même si vous exercez une pression minimale. N'utilisez jamais une chaîne émoussée ni endommagée. Une gouge émoussée entraîne une augmentation de l'effort physique demandé et de la vibration, des résultats de découpe insatisfaisants et une usure accrue.

Pour assurer une découpe rapide et en douceur, la chaîne doit être correctement entretenue. Vous devez affûter la chaîne lorsque les copeaux de bois sont petits et poudreux, que vous devez exercer une pression accrue sur la scie pendant la découpe ou que la chaîne ne coupe que d'un côté. Lors de l'entretien de la chaîne, tenez compte des éléments suivants

- Un angle d'affûtage incorrect de la plaque latérale peut accroître le risque de rebond important.
- Dégagement du râteau (jauge de profondeur). Un niveau trop bas augmente le risque de rebond. Un niveau pas assez bas réduit la capacité de coupe
- Si les dents de l'élément tranchant ont heurté des objets durs, tels que des clous ou des pierres, ou si elles ont été abrasées par de la boue ou du sable se trouvant sur le bois, faites affûter la chaîne par un technicien / réparateur qualifié.

AVIS : Lors du remplacement de la chaîne, vérifiez que le pignon d'entraînement n'est pas usé ou endommagé. Si des signes d'usure ou de dommages sont présents dans les zones indiquées, faites remplacer le pignon d'entraînement par un technicien / réparateur qualifié.

Comment affûter les gouges

Affûtez tous les éléments tranchants (Fig. 29) aux angles spécifiés et de la même longueur, étant donné qu'il n'est possible de couper rapidement que lorsque tous les bords des éléments tranchants sont uniformes.

1. Retirez le bloc-pile. Portez des gants de protection.

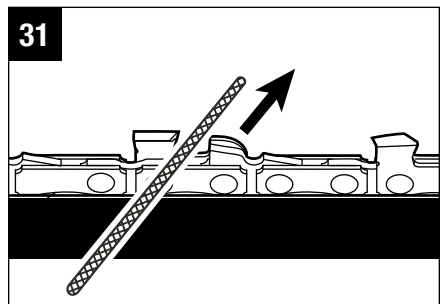
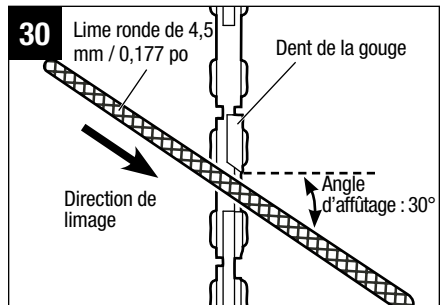
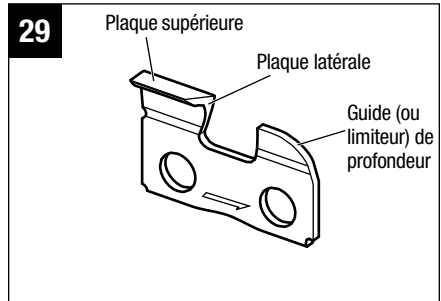
2. Tendez correctement la chaîne avant de l'affûter. Reportez-vous au chapitre « **RÉGLAGE DE LA TENSION DE LA CHAÎNE** » plus haut dans ce mode d'emploi.

3. Utilisez une lime ronde de 4,5 mm / 0,177 po de diamètre et un support (disponibles séparément). Effectuez tout votre limage depuis la position centrale de la barre de guidage.

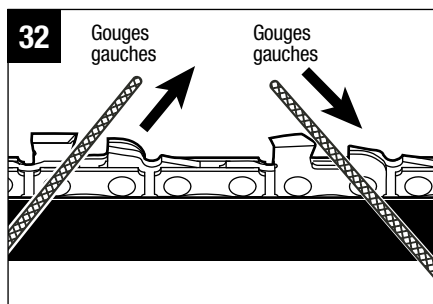
4. Gardez la lime de niveau avec la plaque supérieure de la dent. Ne l'inclinez pas et ne la faites pas basculer.

5. Maintenez un angle d'affûtage correct de 30° entre la lime et la chaîne De la scie ; voir Fig. 30 & 31. Utilisez toujours un porte-lime (disponible séparément) lors de l'affûtage des chaînes de scie à la main. Les porte-limes ont des repères pour l'angle d'affûtage.

6. Exercez une pression légère, mais ferme, puis limez en direction du coin avant de la dent. Soulevez la lime du métal après chaque retour.



- Effectuez quelques coups fermes sur chaque dent. Limez tous les éléments tranchants de gauche dans un sens. Passez ensuite de l'autre côté et limez les éléments tranchants de droite dans le sens inverse. De temps en temps, retirez la limaille de la lime avec une brosse métallique (Fig. 32).

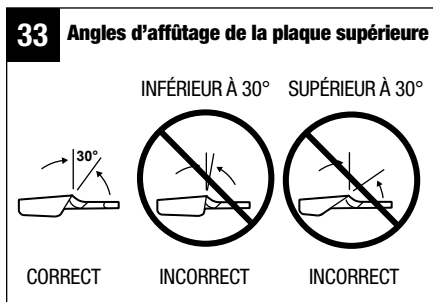


⚠ AVERTISSEMENT : Une chaîne émoussée ou mal affûtée peut provoquer une vitesse excessive du moteur pendant la coupe, ce qui peut entraîner de graves dommages au moteur.

⚠ AVERTISSEMENT : Une chaîne incorrectement affûtée accroît le risque de rebond.

⚠ AVERTISSEMENT : Le fait de ne pas remplacer ou réparer une chaîne endommagée peut causer de graves blessures.

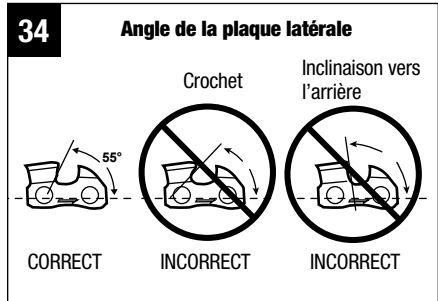
Angles d'affûtage de la plaque supérieure (Fig. 33)



- CORRECT 30°** – Cet angle optimal ne peut être obtenu que si les limes spécifiées et le réglage approprié sont utilisés. Les porte-limes sont munis de marques de guidage permettant d'aligner correctement la lime afin de produire l'angle correct de la plaque supérieure.
- MOINS DE 30°** – La dent est trop émoussée pour pouvoir couper.
- PLUS DE 30°** – Le bord de la dent coupante est aminci et s'émousse rapidement.

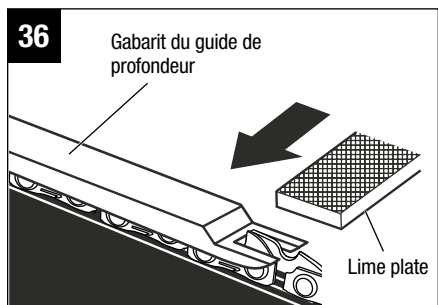
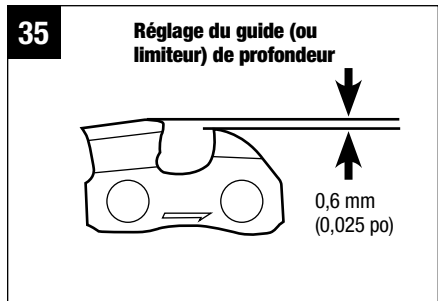
Angle de la plaque latérale (Fig. 34)

- **CORRECT 55°** – L'angle optimal peut être produit automatiquement si la lime de diamètre correct est utilisée dans le porte-lime.
- **CROCHET** « – « S'accroche » et s'émousse rapidement. Augmente le potentiel d'EFFET DE REBOND. Résultat de l'utilisation d'une lime dont le diamètre est trop petit, ou d'une lime tenue trop bas.
- **PENTE DESCENDANTE** – Nécessite trop de pression d'alimentation, provoque une usure excessive de la barre et de la chaîne. Résulte de l'utilisation d'une lime dont le diamètre est trop grand, ou d'une lime tenue trop haut.



Réglage du guide de profondeur

1. Le guide de profondeur doit être réglé à 0,63 mm (0.025 po), comme le montre la figure 35. Utilisez un outil de guide de profondeur (vendu séparément) pour vérifier ce réglage.
2. Chaque fois que vous limez la chaîne, vérifiez le réglage du guide de profondeur. Utilisez une lime plate et un gabarit (vendus séparément) pour abaisser tous les guides de façon uniforme (figure 36). Les gabarits sont disponibles en tailles allant de 0,5 mm à 0,88 mm (de 0.02 po à 0.035 po). Utilisez un gabarit de 0,63 mm (0.025 po).
3. Utilisez la lime plate pour régler les guides de profondeur dans la direction vers laquelle la gouge adjacente a été limée avec la lime ronde. Prenez soin de ne pas toucher le devant de la gouge avec la lime plate lorsque vous réglez les guides de profondeur.



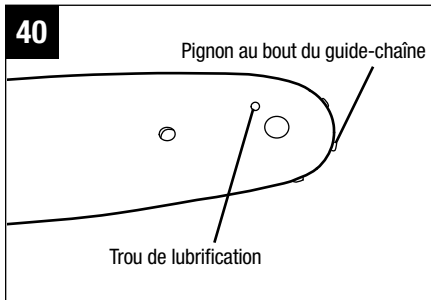
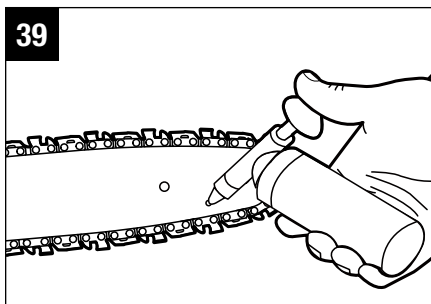
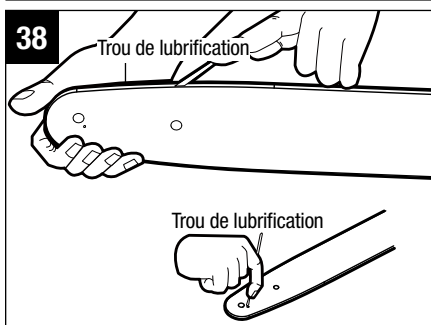
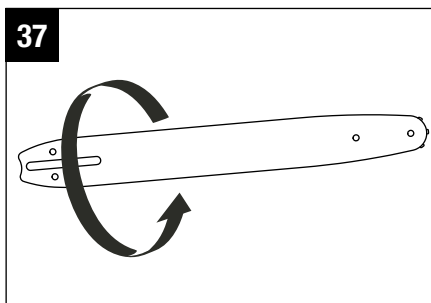
Retourner le guide-chaîne

Lorsque le guide-chaîne présente des signes d'usure, démontez-le de l'ensemble moteur et remontez-le en inversant ses côtés (figure 37), ce qui aura pour effet de répartir son usure et d'optimiser sa durée de vie.

Vous devez nettoyer le guide-chaîne (y compris la rainure du guide-chaîne, le trou de lubrification et l'orifice d'huile) tous les jours où vous l'utiliser et vérifier l'absence d'usure ou de dommages (figure 38). L'amincissement ou l'apparition de bavures sur les parois de la rainure du guide-chaîne est un processus d'usure normal. De tels défauts doivent être limés dès leur apparition. Un guide-chaîne présentant n'importe lequel des défauts suivants doit être remplacé. Consultez la section « **REPLACER LE GUIDE-CHAÎNE ET LA CHAÎNE** » dans le présent manuel

- Usure de l'intérieur des parois de la rainure du guide-chaîne, qui permet à la chaîne de se coucher sur le côté.
- Guide-chaîne tordu.
- Parois de la rainure fendues ou brisées.
- Parois de la rainure écartées.

L'extrémité du guide-chaîne est munie d'un pignon. Ce dernier doit être lubrifié toutes les semaines à l'aide d'une seringue à graisse afin de prolonger la vie utile du guide-chaîne (figures 39 et 40). Tournez le pignon de renvoi lorsque vous injectez de la graisse dans le trou de lubrification jusqu'à ce que le pignon soit rempli de nouvelle graisse. N'introduisez pas de poussière dans le trou.



TRANSPORT ET RANGEMENT

- Ne rangez pas et ne transportez pas la scie à chaîne pendant qu'elle est en marche. Retirez toujours le bloc-piles avant de ranger ou de transporter la scie.
- Placez toujours la gaine de la chaîne sur la barre de guidage et la chaîne avant de ranger ou de transporter la scie à chaîne. Faites attention de ne pas toucher les dents tranchantes de la chaîne.
- Nettoyez complètement la scie à chaîne avant de la ranger. Rangez la scie à chaîne à l'intérieur, à un endroit sec qui est fermé à clé et/ou auquel les enfants ne peuvent pas avoir accès.
- Tenez-la à distance des agents corrosifs tels que des produits chimiques de jardins et des sels pour faire fondre la glace.

RECHERCHE DE LA CAUSE DES PROBLÈMES

PROBLÈME	CAUSE	SOLUTION
Le moteur ne démarre pas.	<ul style="list-style-type: none"> ■ Le bloc-piles n'est pas attaché à la scie à chaîne. ■ Il n'y a pas de contact électrique entre la scie et la pile. ■ Les piles du bloc-piles sont déchargées. ■ Le bloc-piles ou la scie à chaîne est trop chaud. ■ Le frein de la chaîne est engagé. ■ Présence de débris dans la rainure de la barre. ■ Présence de débris dans le cache latéral. 	<ul style="list-style-type: none"> ■ Attachez le bloc-piles à la scie à chaîne. ■ Retirez les piles, inspectez les contacts et réinstallez le bloc-piles. ■ Chargez le bloc-piles. ■ Laissez le bloc-piles ou la scie à chaîne refroidir jusqu'à ce que la température descende en dessous de 67° C / 152° F. ■ Tirez la poignée du frein antibond de la chaîne vers l'arrière, en direction de la poignée avant. ■ Appuyez la chaîne de la scie contre le bois, et déplacez la scie à chaîne d'avant en arrière pour évacuer les débris. ■ Retirez le bloc-piles, puis le cache latéral, et nettoyez les débris.
La scie à chaîne s'arrête de fonctionner pendant son utilisation	<ul style="list-style-type: none"> ■ La scie à chaîne est surchargée. ■ Le bloc-piles ou la scie à chaîne est trop chaud. ■ La chaîne de la scie est coincée dans le bois. 	<ul style="list-style-type: none"> ■ Diminuez la charge ■ Laissez le bloc-piles ou la scie à chaîne refroidir jusqu'à ce que la température descende en dessous de 67° C / 152° F. ■ Relâchez la gâchette de variateur de vitesse de l'interrupteur ; retirez la chaîne de la scie et la barre de guidage du bois, puis remettez la scie à chaîne en marche.

PROBLÈME	CAUSE	SOLUTION
Le moteur fonctionne, mais la chaîne ne tourne pas.	<ul style="list-style-type: none"> ■ La chaîne n'engage pas le pignon d'entraînement. 	<ul style="list-style-type: none"> ■ Réinstallez la chaîne de la scie en suivant les instructions du chapitre « REMPLACEMENT DE LA BARRE ET DE LA CHAÎNE ». Assurez-vous que les maillons d'entraînement de la chaîne sont bien en place sur le pignon.
Le frein de la chaîne ne s'engage pas.	<ul style="list-style-type: none"> ■ Des débris empêchent le mouvement complet de la poignée antirebond du frein à chaîne. ■ Mauvais fonctionnement possible du frein de la chaîne. 	<ul style="list-style-type: none"> ■ Nettoyez les débris du mécanisme externe du frein à chaîne. ■ Contactez le centre de service à la clientèle d'EGO si des réparations sont nécessaires.
La scie à chaîne ne coupe pas correctement.	<ul style="list-style-type: none"> ■ Tension insuffisante de la chaîne. ■ Chaîne émoussée. ■ Chaîne installée à l'envers. ■ Chaîne usée. ■ Chaîne sèche ou excessivement étirée. ■ La chaîne n'est pas dans la rainure de la barre. 	<ul style="list-style-type: none"> ■ Réajustez la tension de la chaîne, en suivant les instructions du chapitre : « RÉGLAGE DE LA TENSION DE LA CHAÎNE ». ■ Affûtez les éléments tranchants de la chaîne en suivant les instructions du chapitre : « COMMENT AIGUISER LES ÉLÉMENTS TRANCHANTS ». ■ Réinstallez la chaîne de scie, en suivant les instructions du chapitre : « REMPLACEMENT DE LA BARRE ET LA CHAÎNE ». ■ Remplacez la chaîne en suivant les instructions du chapitre : « REMPLACEMENT DE LA BARRE ET DE LA CHAÎNE ». ■ Vérifiez le niveau d'huile. Remplissez le réservoir d'huile si nécessaire. ■ Réinstallez la chaîne de scie, en suivant les instructions du chapitre : « REMPLACEMENT DE LA BARRE ET LA CHAÎNE ».

PROBLÈME	CAUSE	SOLUTION
La chaîne se détache ou tombe de la barre de guidage lors d'une utilisation normale.	<ul style="list-style-type: none"> ■ La chaîne se détache lorsque la température de la chaîne augmente pendant le fonctionnement normal de la scie. ■ La chaîne n'engage pas le pignon d'entraînement. 	<ul style="list-style-type: none"> ■ Serrez la tension de la chaîne en suivant les instructions du chapitre « RÉGLAGE DE LA TENSION DE LA CHAÎNE ». ■ Réinstallez la chaîne de la scie en suivant les instructions du chapitre « REMPLACEMENT DE LA BARRE ET DE LA CHAÎNE ».
La barre et la chaîne sont chaudes et fumantes.	<ul style="list-style-type: none"> ■ Vérifiez la tension de la chaîne pour voir si elle est trop serrée. ■ Le réservoir d'huile de la chaîne est vide. ■ Présence de débris dans la rainure de la barre de guidage. 	<ul style="list-style-type: none"> ■ Ajustez à nouveau la tension de la chaîne de scie, en suivant les instructions du chapitre : « RÉGLAGE DE LA TENSION DE LA CHAÎNE ». ■ Remplissez le réservoir d'huile avec un lubrifiant pour barres et chaînes. ■ Dégagez les débris qui se trouvent dans la rainure.

GARANTIE

POLITIQUE D'EGO EN MATIÈRE DE GARANTIE

Garantie limitée de 5 ans sur les équipements d'alimentation électrique d'extérieur EGO POWER+ et les équipements d'alimentation électrique portable pour un usage personnel et domestique.

Garantie limitée de 3 ans sur les blocs-piles et chargeurs du système EGO POWER+ pour un usage personnel et domestique. Une extension de garantie supplémentaire de deux ans s'applique à la pile de 10,0 Ah/12,0 Ah, qu'elle soit vendue séparément (Modèle N° BA5600T/BA6720T) ou incluse avec un outil quelconque, à condition d'être enregistrée dans les 90 jours de l'achat. Garantie limitée de cinq ans sur le chargeur CHV1600, conçu pour être employé avec la tondeuse à conducteur porté à rayon de braquage zéro pour utilisation personnelle, résidentielle.

Garantie limitée de 2 ans/1 an sur les équipements d'alimentation électrique d'extérieur, les équipements d'alimentation électrique portables, les blocs-piles et les chargeurs EGO pour un usage professionnel et commercial.

La durée et les détails de la garantie de chaque produit sont indiqués en ligne à l'adresse <http://egopowerplus.com/warranty-policy>.

Veillez communiquer avec le service à la clientèle d'EGO au 1 855 EGO-5656 (numéro sans frais) pour toute question sur les réclamations au titre de la garantie.

GARANTIE LIMITÉE

Les produits EGO sont garantis contre tout défaut de matériel ou de fabrication à compter de la date d'achat d'origine pour la période de garantie applicable. Les produits défectueux recevront une réparation gratuite.

- Cette garantie s'applique uniquement à l'acheteur initial s'étant procuré le produit chez un détaillant EGO autorisé et est non transférable. La liste des détaillants EGO autorisés est publiée en ligne sur le site <http://egopowerplus.com/warranty-policy>.
- La période de garantie pour les produits remis en état ou certifiés par l'usine utilisés à des fins résidentielles est de 1 an, et de 90 jours lorsqu'ils sont utilisés à des fins industrielles, professionnelles ou commerciales.
- La période de garantie pour les pièces d'entretien de routine, telles que, mais sans s'y limiter, le siège de la tondeuse à conducteur porté, les roues, les pneus, les roues anti-scalp, le disque de frein, le bloc de friction, les lames, les têtes de coupe, les barres de chaîne, les chaînes de scie, les courroies, les barres de raclage, les palettes en caoutchouc, les tarières, les patins, les buses de soufflante et tous les autres accessoires EGO est de 90 jours à des fins résidentielles ou de 30 jours à des fins industrielles, professionnelles ou commerciales. Ces pièces sont couvertes pendant 90 ou 30 jours contre tout défaut de fabrication dans des conditions d'utilisation normales.

- d) La présente garantie n'est pas valide si le produit a été utilisé aux fins de location.
- e) La présente garantie ne couvre pas les dommages résultant d'une modification, d'une altération ou d'une réparation non autorisée.
- f) Cette garantie couvre uniquement les défauts survenant dans des conditions normales d'utilisation et ne couvre aucun dysfonctionnement ou défaut ni aucune défaillance découlant d'un usage inapproprié ou abusif (notamment la surcharge du produit et son immersion dans l'eau ou dans tout autre liquide), d'un accident, d'une négligence, d'une installation inadéquate et de tout entretien ou entreposage inadéquat.
- g) La présente garantie ne couvre pas la détérioration normale du fini extérieur, notamment les rayures, les bosselures, les craquelures de la peinture ou toute corrosion ou décoloration résultant de la chaleur, de produits abrasifs ou de nettoyeurs chimiques.

RECLAMATION AU TITRE DE LA GARANTIE

Pour faire une réclamation au titre de la garantie, veuillez communiquer avec le service à la clientèle d'EGO au **1 855 EGO-5656** (numéro sans frais). Lorsque vous faites une réclamation au titre de la garantie, vous devez présenter le reçu de vente original. Un centre de service autorisé sera sélectionné pour la réparation du produit conformément aux conditions de garantie prescrites. Il se peut qu'un petit dépôt soit exigé lorsque vous laissez votre outil dans un centre de service autorisé. Ce dépôt est remboursable lorsque le service de réparation est considéré comme étant couvert par la garantie.

RESTRICTIONS SUPPLÉMENTAIRES

Dans la mesure permise par la loi en vigueur, toutes les garanties implicites, y compris les garanties de QUALITÉ MARCHANDE ou D'ADÉQUATION À UN USAGE PARTICULIER, sont exclues. Toute garantie implicite, y compris la garantie de qualité marchande ou d'adéquation à un usage particulier, qui ne peut être rejetée en vertu de la loi de l'État ou de la province est limitée à la période de garantie applicable définie au début de cet article.

Chervon North America n'est pas responsable des dommages accessoires, consécutifs, indirects ou directs.

Certaines provinces n'autorisent pas les restrictions de durée de garantie implicite, ou l'exclusion ou la restriction des dommages consécutifs et accessoires; c'est pourquoi les restrictions ci-dessus peuvent ne pas s'appliquer à votre cas.

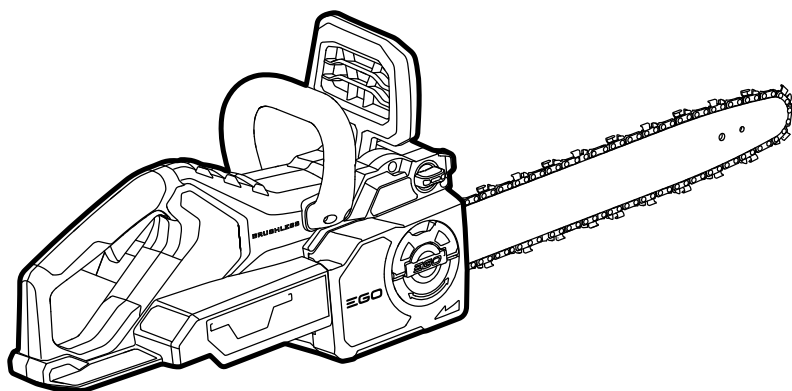
Cette garantie vous confère des droits précis. Il est possible que vous disposiez également d'autres droits, qui varient d'une province à l'autre.

Pour communiquer avec le service à la clientèle, veuillez composer le numéro sans frais suivant : **1 855 EGO-5656** ou consulter le site Web **EGOPOWERPLUS.COM**.

EGO Customer Service, 769 SEWARD AVE NW / Suite 102 Grand Rapids, MI 49504, États-Unis.

EGO™

POWER⁺ CHAIN SAW



**LLENE EL TANQUE DE ACEITE CON
ACEITE PARA ESPADA Y CADENA
ANTES DEL PRIMER USO**



MANUAL DEL USUARIO

MOTOSIERRA DE 16 PULGADAS INALÁMBRICA DE ION LITIO DE 56 V

NÚMERO DE MODELO CS1610/CS1610-FC

⚠ ADVERTENCIA: Para reducir el riesgo de lesiones, el usuario debe leer y comprender el Manual del usuario antes de usar este producto. Guarde estas instrucciones para referencia futura.

ÍNDICE

Símbolos de seguridad	108
Instrucciones de seguridad	109-122
Glosario	123
Introducción	124
Especificaciones	125
Lista de empaque	25
Descripción	126-128
Ensamblaje	129
Operación	130-141
Mantenimiento	142-151
Solución de problemas	152-154
Garantía	155-156

¡LEA TODAS LAS INSTRUCCIONES!



LEA Y COMPRENDA EL
MANUAL DE INSTRUCCIONES

⚠ ADVERTENCIA: Parte del polvo producto del lijado, aserrado, esmerilado, taladrado y otras actividades de construcción, contiene sustancias químicas que el estado de California reconoce como causantes de cáncer, defectos congénitos u otros daños al sistema reproductor. Algunos ejemplos de estas sustancias químicas son los siguientes:

- Plomo de pinturas a base de plomo;
- Sílice cristalina de ladrillos, cemento y otros productos de mampostería; y
- Arsénico y cromo de madera tratada químicamente

El riesgo de sufrir estas exposiciones varía según la frecuencia con que realice este tipo de trabajo. Medidas para reducir la exposición a estos químicos: trabaje en un lugar bien ventilado y con equipos de seguridad aprobados, como las mascarillas antipolvo que están diseñadas especialmente para filtrar partículas microscópicas

SÍMBOLOS DE SEGURIDAD

El propósito de los símbolos de seguridad es llamar la atención a posibles peligros. Los símbolos de seguridad y sus explicaciones merecen una atención y comprensión minuciosas. Las advertencias de los símbolos, por sí mismas, no eliminan los peligros. Las instrucciones y las advertencias que hacen no sustituyen las medidas de prevención de accidentes que correspondan.

⚠ ADVERTENCIA: Antes de utilizar esta herramienta, asegúrese de leer y comprender todas las instrucciones de seguridad en este Manual del usuario, incluidos todos los símbolos de alerta de seguridad como “**PELIGRO**”, “**ADVERTENCIA**” y “**PRECAUCIÓN**”. No seguir todas las instrucciones que se indican a continuación podría resultar en descargas eléctricas, incendios y/o lesiones personales graves.

SIGNIFICADO DE LOS SÍMBOLOS

⚠ SÍMBOLOS DE ALERTA DE SEGURIDAD: Indica **PELIGRO**, **ADVERTENCIA** o **PRECAUCIÓN**. Puede aparecer junto con otros símbolos o pictografías.




⚠ ADVERTENCIA: La utilización de herramientas eléctricas puede hacer ingresar objetos extraños en los ojos y provocar daños graves a estos órganos. Antes de comenzar a utilizar la herramienta eléctrica, colóquese siempre gafas de seguridad o anteojos de seguridad con protectores laterales y una máscara que cubra todo el rostro si es necesario. Recomendamos utilizar una máscara de seguridad de visión amplia sobre los anteojos o gafas de seguridad estándar con protectores laterales. Siempre use lentes de protección que cumplan con la norma ANSI Z87.1.

INSTRUCCIONES DE SEGURIDAD

Esta página muestra y describe los símbolos de seguridad que pueden aparecer en este producto. Lea, comprenda y siga todas las instrucciones de la máquina antes de ensamblarla y utilizarla.

	Alerta de seguridad	Indica un peligro potencial de lesiones corporales.
	Lea y comprenda el Manual del usuario	Para reducir el riesgo de lesiones, el usuario debe leer y entender el manual del operador antes de utilizar este producto.
	Use protección ocular	Use siempre anteojos de seguridad o gafas de seguridad con escudos laterales y una careta completa cuando utilice este producto.
	Use protección de oídos	Es posible que el ruido de la motosierra dañe la audición del operador. Use siempre barreras contra el sonido (tapones de oídos u orejeras) para protegerse la audición.
	Use protección de la cabeza	Use un casco de seguridad aprobado para protegerse la cabeza.
	Use guantes protectores	Protéjase las manos con guantes cuando maneje la sierra y la cadena de la sierra. Los guantes antideslizantes gruesos mejoran el agarre y protegen las manos.
	Retroceso de la punta de la espada	El contacto con la punta puede hacer que la espada se mueva repentinamente hacia arriba y hacia atrás, lo cual puede causar lesiones graves.
	Agarre con las dos manos	Use siempre las dos manos cuando utilice la motosierra.

IPX4	Grado de protección contra la penetración	Protección contra salpicaduras de agua
	Corriente continua	Tipo o característica de la corriente
V	Voltio	Tensión
mm	Milímetro	Largo o tamaño
in.	Pulgada	Largo o tamaño
kg	Kilogramo	Peso
lb	Libra	Peso
ml	Mililitro	Volumen
fl.oz	Onza líquida	Volumen
°C	Grados Celsius	Temperatura
°F	Grados Fahrenheit	Temperatura

ADVERTENCIAS GENERALES DE SEGURIDAD PARA HERRAMIENTAS ELÉCTRICAS

⚠ ADVERTENCIA: lea todas las advertencias de seguridad, las instrucciones, las ilustraciones y las especificaciones que se incluyen esta herramienta eléctrica. No seguir todas las instrucciones que se detallan a continuación podría provocar descargas eléctricas, incendios o lesiones graves.

Guarde todas las advertencias e instrucciones para referencia futura.

La expresión "herramienta eléctrica" que se incluye en las advertencias se refiere a su herramienta eléctrica alimentada por la red eléctrica (alámbrica) o su herramienta eléctrica alimentada por baterías (inalámbrica).

SEGURIDAD EN EL ÁREA DE TRABAJO

- **Mantenga el área de trabajo limpia y bien iluminada.** Las áreas desordenadas u oscuras aumentan las posibilidades de accidentes.
- **No utilice herramientas eléctricas en atmósferas en las que exista riesgo de explosión, como por ejemplo en presencia de líquidos inflamables, gases o polvo.** Las herramientas eléctricas producen chispas que podrían encender el polvo o el humo.
- **Mantenga a los niños y transeúntes alejados mientras opera una herramienta eléctrica.** Las distracciones pueden hacer que pierda el control.

SEGURIDAD ELÉCTRICA

- **Los enchufes de las herramientas eléctricas deben encajar en el tomacorriente. No modifique el enchufe de ninguna manera. No utilice ningún enchufe adaptador con herramientas eléctricas con puesta a tierra.** Los enchufes sin modificaciones y que encajan en los tomacorrientes reducen el riesgo de descarga eléctrica.
- **Evite el contacto del cuerpo con superficies con puesta a tierra, tales como tuberías, radiadores, estufas o refrigeradores.** También puede sufrir una descarga eléctrica si mantiene contacto con una puesta a tierra.
- **No exponga las herramientas eléctricas a la lluvia ni a condiciones de humedad.** Si ingresa agua en una herramienta eléctrica, el riesgo de descarga eléctrica aumentará.

- **No maltrate el cable. Nunca use el cable para transportar, jalar ni desenchufar la herramienta eléctrica. Mantenga el cable alejado del calor, el aceite, los bordes filosos o las piezas en movimiento.** Los cables dañados o enredados aumentan el riesgo de sufrir una descarga eléctrica.
- **Si utiliza una herramienta eléctrica en exteriores, use un cable de extensión que sea adecuado para exteriores.** Usar un cable apto para exteriores reduce el riesgo de sufrir una descarga eléctrica.
- **Si debe utilizar una herramienta eléctrica en un área húmeda, use un suministro protegido con un interruptor de circuito de falla de puesta a tierra (GFCI, por sus siglas en inglés).** Usar un interruptor GFCI disminuye el riesgo de sufrir una descarga eléctrica.

SEGURIDAD PERSONAL

- **Manténgase alerta, preste atención a lo que hace y utilice el sentido común cuando utilice una herramienta eléctrica. No utilice una herramienta eléctrica si está cansado o bajo los efectos de drogas, alcohol o medicamentos.** Un momento de desatención mientras opera herramientas eléctricas puede provocar lesiones personales graves.
- **Use equipo de protección personal. Use siempre lentes de protección.** Los equipos de protección, como mascarillas antipolvo, zapatos de seguridad antideslizantes, cascos protectores o protección auditiva, utilizados para las condiciones adecuadas, disminuyen el riesgo de lesiones personales.
- **Evite un arranque accidental. Asegúrese de que el interruptor esté en la posición de apagado antes de conectar la herramienta al paquete de baterías, levantarla o transportarla.** Transportar herramientas eléctricas con el dedo en el interruptor o enchufar herramientas eléctricas que tienen el interruptor encendido aumenta las posibilidades de accidentes.
- **Retire todas las llaves de ajuste o llaves inglesas antes de encender la herramienta eléctrica.** Si se deja una llave inglesa o una llave conectada a una pieza en movimiento de la herramienta eléctrica, se pueden producir lesiones personales.
- **Desconecte el enchufe de la fuente de alimentación o retire el paquete de baterías, si es posible, de la herramienta eléctrica antes de hacer ajustes, cambiar accesorios o almacenarla.** Este tipo de medidas de seguridad preventivas reducen el riesgo de que se produzcan arranques accidentales de la herramienta eléctrica.

- **Use ropa adecuada. No use ropa holgada ni joyas. Mantenga el cabello y la ropa alejados de las piezas en movimiento.** La ropa holgada, las joyas o el cabello largo pueden quedar atrapados en las piezas en movimiento.
- **Si se proporcionan dispositivos para la conexión de instalaciones de extracción y recolección de polvo, asegúrese de que se conecten y se usen debidamente.** La recolección de polvo puede disminuir los peligros relacionados con el polvo.
- **No permita que la familiaridad del uso frecuente de las herramientas lo haga no tener en cuenta los principios de seguridad en el manejo de las herramientas.** Un descuido puede ocasionar una lesión grave en cuestión de segundos.

USO Y CUIDADO DE LAS HERRAMIENTAS ELÉCTRICAS

- **No fuerce la herramienta eléctrica. Utilice la herramienta eléctrica adecuada para su tarea.** La herramienta eléctrica adecuada realizará un trabajo más seguro y de mejor calidad al ritmo para el que fue diseñada.
- **No utilice la herramienta eléctrica si el interruptor no la enciende o apaga.** Cualquier herramienta eléctrica que no pueda controlarse con el interruptor es peligrosa y debe repararse.
- **Si es posible, retire el paquete de baterías de la herramienta eléctrica o active cualquier dispositivo que bloquee la batería antes de retirar material atascado, realizar ajustes, cambiar accesorios, limpiar o almacenar herramientas eléctricas.** Este tipo de medidas de seguridad preventivas reduce el riesgo de arranques accidentales de la herramienta eléctrica.
- **Almacene las herramientas eléctricas que no estén en uso fuera del alcance de los niños y no permita que personas no familiarizadas con la herramienta o estas instrucciones la operen.** Las herramientas eléctricas son peligrosas en manos de usuarios sin capacitación.
- **Realice mantenimiento a las herramientas eléctricas y a los accesorios. Revise si hay piezas móviles desalineadas o torcidas, si hay piezas rotas y cualquier otra condición que pueda afectar el funcionamiento de la herramienta eléctrica. Si se daña la herramienta eléctrica, hágala reparar antes de usarla.** Muchos accidentes son producto del mantenimiento incorrecto de las herramientas eléctricas y los accesorios.

- **Mantenga las herramientas de corte afiladas y limpias.** Las herramientas de corte que se mantienen adecuadamente, con sus bordes de corte afilados, tienen menos riesgo de trabarse y son más fáciles de controlar.
- **Use la herramienta eléctrica, los accesorios, las brocas, etc., de acuerdo con estas instrucciones, teniendo en cuenta las condiciones de trabajo y el trabajo que realizará.** El uso de la herramienta eléctrica para diferentes funciones distintas a las previstas podría crear una situación de peligro.
- **Mantenga las manijas y las superficies de agarre secas, limpias y sin aceite ni grasa.** Las manijas y superficies de agarre húmedas pueden provocar una manipulación insegura o la pérdida de control de la herramienta.

USO Y CUIDADO DE LA HERRAMIENTA A BATERÍA

- **Recargue el paquete de baterías solo con el cargador especificado por el fabricante.** Un cargador adecuado para un tipo de paquete de baterías puede crear un riesgo de incendio cuando se usa con otro paquete de baterías. Use solamente con los paquetes de batería y los cargadores que se indican a continuación:
- **Use las herramientas eléctricas solo con los paquetes de baterías específicamente designados para ellas.** El uso de cualquier otro paquete de baterías puede crear un riesgo de lesión e incendio.
- **Cuando el paquete de baterías no está en uso, aléjelo de objetos metálicos, como sujetapapeles, monedas, llaves, clavos, tornillos u otros objetos metálicos pequeños que pudieran crear una conexión entre los terminales.** Es posible que conectar los terminales de la batería entre sí produzca quemaduras o un incendio.
- **En condiciones de maltrato, es posible que salga líquido de la batería. Evite el contacto. Si se produce un contacto accidental, enjuague con agua. Si el líquido entra en contacto con los ojos, solicite atención médica adicional.** El líquido que sale de la batería puede provocar irritación o quemaduras.
- **No utilice un paquete de baterías ni una herramienta si están dañadas o modificadas.** Las baterías dañadas o modificadas pueden mostrar una conducta impredecible que podría provocar incendios, explosiones o riesgo de lesiones.
- **No exponga el paquete de baterías ni la herramienta al fuego o a una temperatura excesiva.**

- **Siga todas las instrucciones de carga y no cargue el paquete de baterías ni las herramientas fuera del rango de temperatura especificado en las instrucciones.** La carga inadecuada o a temperaturas fuera del rango especificado podría dañar la batería y aumentar el riesgo de incendio.

MANTENIMIENTO

- **Permita que solo una persona capacitada repare la herramienta eléctrica, mediante el uso solo de piezas de repuesto idénticas.** Esto mantendrá la seguridad de la herramienta eléctrica.
- **Nunca realice mantenimiento a los paquetes de baterías.** Solo el fabricante o proveedores de servicio autorizados pueden realizar el mantenimiento de los paquetes de baterías.

ADVERTENCIAS DE SEGURIDAD PARA LA MOTOSIERRAS

- **Mantenga todas las partes del cuerpo alejadas de la cadena de la sierra cuando la motosierra esté en funcionamiento. Antes de arrancar la motosierra, asegúrese de que la cadena de la sierra no esté en contacto con nada.** Es posible que un momento de desatención mientras se estén utilizando motosierras haga que la ropa o el cuerpo del operador se enganchen con la cadena.
- **Agarre siempre la motosierra con la mano derecha en la empuñadura trasera y la mano izquierda en la empuñadura delantera.** Si se agarra la motosierra con una configuración invertida de las manos, se aumenta el riesgo de lesiones corporales y esto no se deberá hacer nunca.
- **Sostenga la herramienta eléctrica solo de las superficies de agarre aisladas, porque la cadena de la motosierra puede entrar en contacto con el cableado que está oculto.** Si la cadena de la motosierra entra en contacto con un cable energizado, pueden energizarse las piezas metálicas expuestas de la herramienta eléctrica y puede electrocutarse el usuario.
- **Use gafas de seguridad y protección auditiva. Se recomienda también el uso de equipos de protección para la cabeza, las manos, las piernas y los pies.** El uso de la ropa protectora correspondiente reduce el riesgo de sufrir lesiones causadas por el material despedido o por el contacto accidental con la cadena de la motosierra.
- **No opere una motosierra en un árbol, en una escalera, desde un tejado o cualquier soporte inestable.** La operación de una motosierra de esta manera podría resultar en lesiones personales graves.

- **Siempre manténgase bien parado y utilice la motosierra solo si usted se encuentra sobre una superficie estable, segura y nivelada.** Las superficies resbaladizas o inestables como las escaleras pueden provocar la pérdida de equilibrio o del control de la motosierra.
- **Al cortar ramas sometidas a tensión, esté atento al efecto látigo.** Cuando se libera la tensión de las fibras de la madera, la rama tensa puede golpear al usuario o hacer descontrolar la motosierra
- **Sea extremadamente precavido al cortar maleza y árboles jóvenes.** Las ramas delgadas pueden quedar atrapadas con la cadena de la motosierra y golpear al usuario o hacerlo perder el equilibrio.
- **Transporte la motosierra apagada y tomándola de la empuñadura frontal, lejos del cuerpo. Al transportar o guardar la motosierra, siempre coloque la cubierta de la espada.** La manipulación correcta de la motosierra reduce la probabilidad de que se haga contacto de forma accidental con la cadena de la motosierra en movimiento.
- **Siga las instrucciones para la lubricación, la tensión de la cadena y el cambio de accesorios.** Si la cadena no tiene la tensión o la lubricación correctas, aumenta el riesgo de que se produzca el efecto rebote o una avería en la herramienta.
- **Corte solo madera. No use la motosierra para fines que no sean los previstos. Por ejemplo: no use la motosierra para cortar metal, plástico, mampostería o materiales de construcción que no sean de madera.** El uso de la motosierra en operaciones que no son las previstas puede producir una situación de peligro.
- **No intente talar un árbol hasta haber entendido cuáles son los riesgos y cómo evitarlos.** El operador o los transeúntes pueden sufrir lesiones graves durante la tala de un árbol.

CAUSAS DEL RETROCESO Y SU PREVENCIÓN POR EL OPERADOR

Es posible que ocurra retroceso cuando la nariz o la punta de la espada toque un objeto, o cuando la madera se cierre y pellizque la cadena de la sierra en el corte.

Es posible que el contacto con la punta en algunos casos cause una reacción inversa repentina y lance la espada hacia arriba y hacia atrás, hacia el operador.

Es posible que si la cadena de la sierra se pellizca a lo largo de la parte superior de la espada, dicha espada resulte empujada rápidamente hacia atrás, hacia el operador.

Es posible que cualquiera de estas dos reacciones haga que usted pierda el control de la sierra, lo cual podría causar lesiones corporales graves. No confíe exclusivamente en los dispositivos de seguridad incorporados a la sierra. Como usuario de una motosierra, usted deberá tomar varias medidas para mantener los trabajos de corte que realice libres de accidentes o lesiones.

El retroceso es el resultado de un uso indebido de la motosierra y/o procedimientos o condiciones de utilización incorrectos, y se puede evitar tomando las precauciones debidas, tal y como se indica a continuación:

- **Mantenga un agarre firme, con los pulgares y los dedos formando un círculo alrededor de las empuñaduras de la motosierra, con ambas manos en la sierra, y posicione el cuerpo y el brazo de manera que le permitan resistir las fuerzas de retroceso.** Las fuerzas de retroceso pueden ser controladas por el operador, si se toman las precauciones adecuadas. No suelte la motosierra.
- **No intente alcanzar demasiado lejos y no corte a una altura por encima del hombro.** Esto ayuda a prevenir el contacto accidental con la punta y permite un mejor control de la motosierra en situaciones inesperadas.
- **Utilice únicamente espadas y cadenas de sierra de repuesto especificadas por el fabricante.** Es posible que las espadas y cadenas de sierra de repuesto incorrectas causen rotura de la cadena y/o retroceso.
- **Siga las instrucciones de afilado y mantenimiento del fabricante de la motosierra.** Una disminución de la altura del calibre de profundidad puede causar un aumento del retroceso.

DISPOSITIVOS DE SEGURIDAD ANTIRRETROCESO DE ESTA MOTOSIERRA

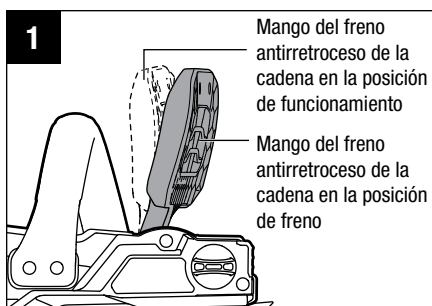
Freno de la cadena

La motosierra viene equipada con un freno de la cadena, el cual detiene tanto el motor como el movimiento de la cadena cuando ocurre retroceso. El freno de la cadena se puede activar por medio del movimiento hacia delante del mango del freno antirretroceso de la cadena mientras la sierra rota hacia atrás durante un retroceso; también se puede activar por las fuerzas internas generadas durante un empuje hacia atrás rápido.

⚠ ADVERTENCIA: No modifique ni intente inutilizar nunca el freno de la cadena. Asegúrese de que el freno de la cadena esté funcionando correctamente antes de utilizar la motosierra. El mango del freno antirretroceso de la cadena se debería mover fácilmente hacia detrás y hacia delante.

Para comprobar el funcionamiento del freno de la cadena, realice las siguientes acciones (Fig. 1):

- Coloque la motosierra sobre una superficie plana y despejada, y asegúrese de que no haya objetos ni obstrucciones en proximidad inmediata que podrían entrar en contacto con la espada y la cadena.
- Desactive el freno de la cadena jalando el mango del freno antirretroceso de la cadena hacia la empuñadura delantera.
- Arranque la motosierra.
- Empuje el mango del freno antirretroceso de la cadena hacia la parte delantera de la sierra. Un freno de mano que funcione correctamente detendrá inmediatamente el movimiento de la cadena. Si el freno de la cadena no está funcionando correctamente, no utilice la motosierra hasta que dicho freno haya sido reparado por un técnico de servicio calificado.



⚠ ADVERTENCIA: Confirme que el freno de la cadena funciona correctamente antes de cada uso.

⚠ ADVERTENCIA: Si el freno de la cadena está obstruido con virutas de madera, es posible que la función de dicho freno se deteriore. Mantenga siempre limpio el dispositivo.

Cadena de bajo rebote

La parte frontal de cada eslabón cortante (talones de profundidad) pueden minimizar la fuerza de la reacción de rebote evitando que los eslabones cortantes se introduzcan a demasiada profundidad en la zona de rebote. Use solo una cadena de repuesto que sea equivalente a la cadena original o que haya sido certificada como cadena de

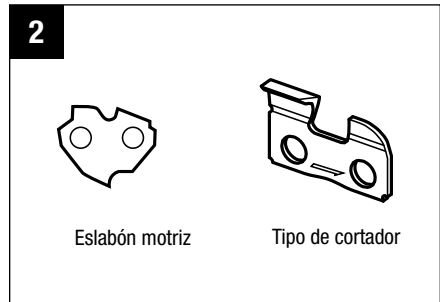
bajo rebote según la norma ANSI B175.1. Una cadena para motosierra con dientes de bajo rebote es una cadena que cumple con los requisitos de rendimiento en rebote de la norma ANSI B175.5 - 1991 (norma nacional estadounidense sobre herramientas eléctricas; requisitos de seguridad para motosierras a gasolina y eléctricas) al someterse a pruebas en la muestra representativa de motosierras por debajo de las 3,8 pulg. cúbicas de desplazamiento especificadas en ANSI B175.1-1991.

El eslabón motriz del protector (Fig. 2) también ayuda a ofrecer un rendimiento de bajo contragolpe.

⚠ PRECAUCIÓN: A medida que se afilan las cadenas de motosierras durante su vida útil, pierden parte de las cualidades de bajo rebote, por lo que deben tomarse precauciones adicionales al utilizarlas.

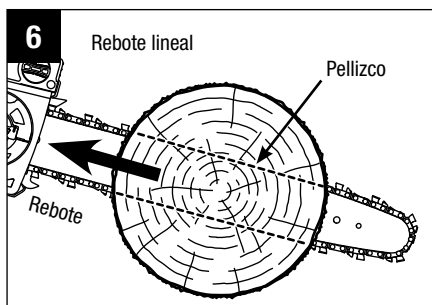
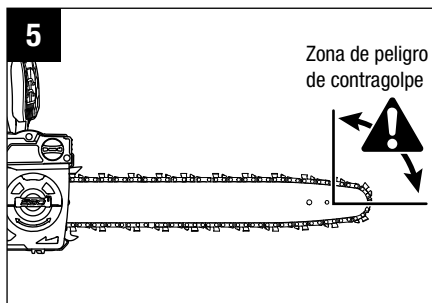
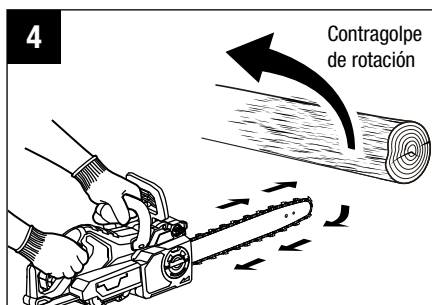
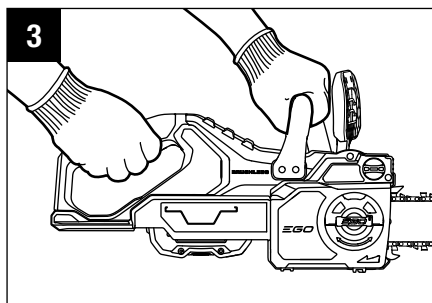
ESPADA

Esta sierra viene equipada con una espada que tiene una nariz de radio pequeño. Las narices de radio pequeño generalmente tienen menos potencial de retroceso. Cuando reemplace la espada, sírvase ordenar la espada que recomendamos en este manual o la espada con la especificación correcta en relación con este producto.

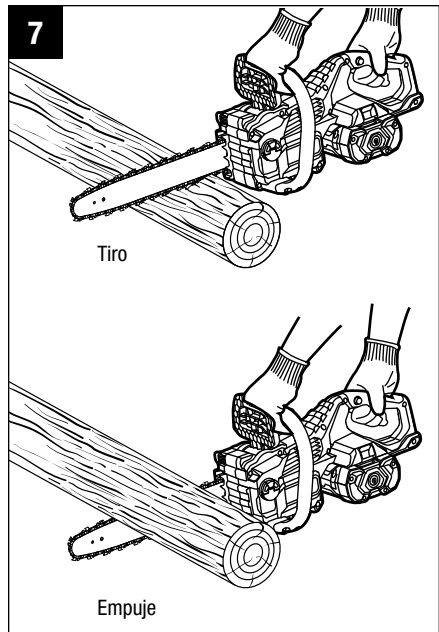


ADVERTENCIAS ADICIONALES

- Las motosierras deben usarse con las dos manos.** Si se usan con una sola mano, el operador, los ayudantes o los transeúntes pueden sufrir lesiones graves (Fig. 3).
- Asegúrese de que el área donde está cortando esté libre de obstáculos.** No deje que la punta de la espada haga contacto con troncos, ramas, cercas ni ningún otro obstáculo que pudiera golpear al utilizar la motosierra.
- Siempre corte con la máquina a velocidad plena.** Presione el gatillo interruptor a fondo y mantenga la velocidad de corte.
- Con un entendimiento básico del retroceso, usted puede reducir o eliminar el elemento sorpresa (Fig. 4 – Fig. 6).** Una sorpresa repentina contribuye a los accidentes.
- Mantenga el equilibrio y una postura adecuada en todo momento.**
- Evite el contacto accidental con la cadena de la motosierra estática o los rieles de la espada.** Estas pueden ser muy filosas. Siempre use guantes y pantalones largos o chaparreras al manipular la motosierra, la cadena de la motosierra o la espada.



- **Nunca utilice una motosierra si está dañada o ajustada incorrectamente, o si no está ensamblada de forma completa y segura.** Asegúrese de que la motosierra se detenga al soltar el gatillo interruptor.
- **Inspeccione la pieza de trabajo para comprobar si tiene clavos, alambre u otros objetos extraños antes de cortar. Cuando tronce troncos, fije la pieza de trabajo antes de cortarla. Cuando tale o pode, identifique y sujete firmemente las ramas peligrosas.**
- **Si se usa la motosierra indebidamente o se abusa al cortar el material, se puede producir el desgaste prematuro de la espada, la cadena o el piñón, además de que puede averiarse la cadena o la espada y producirse el efecto de contragolpe, despedirse la cadena o dispararse el material.**
- **N'utilisez jamais la barre de guidage comme s'il s'agissait d'un levier.** Une barre de guidage tordue peut entraîner une usure prématurée de la barre, de la chaîne et/ou du pignon, ainsi que la rupture de la chaîne ou de la barre, entraînant un rebond, un jet de chaîne ou l'éjection de matériau.
- **Corte solo una pieza de trabajo a la vez.**
- **Tiro y empuje:** la fuerza de reacción siempre es opuesta a la dirección en que se mueve la cadena donde hace contacto con la madera. Por lo tanto, el operador debe estar preparado para controlar el movimiento de TIRO cuando está cortando con el borde inferior de la espada y el movimiento de EMPUJE cuando está cortando con el borde superior (Fig. 7).
- **Planifiez votre travail en vous assurant qu'il n'y a pas d'obstacle dans la zone de travail et, si vous voulez abattre un arbre, prévoyez au moins une voie de secours qui ne sera pas bloquée par l'arbre qui va tomber.**



- **Cuando tale, mantenga a las personas presentes al menos a dos o tres longitudes de árbol de distancia.**
- **No incinere el aparato, incluso si está dañado severamente.** Las baterías pueden explotar en un fuego.
- **Use solamente los paquetes de baterías y los cargadores que se indican a continuación:**

PAQUETE DE BATERÍA	CARGADOR
BA1400, BA1400-FC, BA2800, BA2800-FC, BA4200, BA4200-FC, BA1400T, BA1400T-FC, BA2240T, BA2240T-FC, BA2242T, BA2242T-FC, BA2800T, BA2800T-FC, BA4200T, BA4200T-FC, BA5600T, BA5600T-FC, BA6720T, BA6720T-FC	CH2100, CH2100-FC, CH5500, CH5500-FC, CH2800D, CH2800D-FC, CH7000, CH7000-FC, CH3200, CH3200-FC

- **No cargue el paquete de baterías en la lluvia o en lugares húmedos.**
- **N'exposez pas un bloc-piles ou un outil à un feu ou à une température excessive. L'exposition à un incendie ou à une température supérieure à 100° C / 212° F pourrait causer une explosion.**
- **Si se presentan situaciones que no menciona este manual, proceda con precaución y buen juicio. Póngase en contacto con el Departamento de Servicio al Cliente de EGO si necesita ayuda.**

GUARDE ESTAS INSTRUCCIONES.

GLOSARIO

Lubricador automático: Un sistema que lubrica automáticamente la espada y la cadena de la sierra.

Tronzado de troncos: El proceso de cortar transversalmente un árbol talado o un tronco en tramos longitudinales.

Púas tronzadoras de troncos: El diente puntiagudo o los dientes puntiagudos que están diseñados para utilizarse cuando se tale o cuando se tronquen troncos para pivotar la sierra y mantener la posición mientras se está aserrando.

Freno de la cadena: Un dispositivo que se utiliza para parar inmediatamente la cadena de la sierra.

Cabezal motriz de la motosierra: Una motosierra sin cadena de sierra ni espada.

Piñón de transmisión: La pieza dentada que impulsa la cadena de la sierra.

Tala: El proceso de cortar y derribar un árbol.

Corte trasero de tala: El corte final en una operación de tala de un árbol, realizado en el lado opuesto del árbol respecto al corte inferior de enmuescado.

Retroceso: El movimiento hacia detrás o hacia arriba, o ambos, de la espada, que ocurre cuando la cadena de la sierra cerca de la nariz del área superior de la espada entra en contacto con cualquier objeto, tal como un tronco o una rama, o cuando la madera se cierra y pellizca la cadena de la sierra en el corte.

Cadena de bajo retroceso: Una cadena que cumple con los requisitos de rendimiento antirretroceso de la norma ANSIB175.1 cuando se somete a prueba en una muestra representativa de motosierras.

Posición de corte normal: Las posiciones que se adoptan al realizar cortes de tronzado de troncos y de tala.

Corte inferior de enmuescado: Un corte de una muesca en un árbol que dirige la caída del mismo.

Espada de retroceso reducido: Una espada que se ha demostrado que reduce significativamente el retroceso.

INTRODUCCIÓN

Felicitaciones por su selección de la motosierra alimentada por batería de ion litio de 56 V de nueva generación. Esta motosierra ha sido diseñada, concebida y fabricada para ofrecerle a usted la mejor confiabilidad y el mejor rendimiento posibles.

En caso de que tuviera algún problema que no pudiera resolver fácilmente, póngase en contacto con el Centro de Servicio al Cliente de EGO al 1-855-EGO-5656.

Este manual contiene información importante para el ensamblaje, la operación y el mantenimiento seguro de su motosierra. Léalo atentamente antes de usar la motosierra.

Mantenga este manual a mano para poder consultarlo en cualquier momento.

NÚMERO DE SERIE _____ FECHA DE COMPRA _____

DEBE ANOTAR EL NÚMERO DE SERIE Y LA FECHA DE COMPRA, Y CONSERVARLOS EN UN LUGAR SEGURO PARA CONSULTARLOS EN EL FUTURO.

SPECIFICATIONS

Voltaje	56 V CC
Longitud de la espada	16" (400mm)
Paso de la cadena	3/8" (9.5mm)
Calibre de la cadena	0.043" (1.1mm)
Tipo de cadena	AC1600
Tipo de espada	AG1600
Número de eslabones guía	56
Capacidad del depósito de aceite de la cadena	5 oz. (150 ml)
Temperatura de funcionamiento recomendada	-15°C-40°C(5°F-104°F)
Temperatura de almacenamiento recomendada	-20°C-70°C(-4°F-158°F)
Peso neto (sin paquete de baterías y funda de la cadena)	9,0 lb (4,1 kg)

Espada y cadena recomendadas para esta motosierra

NOMBRE DE LA PIEZA	NÚMERO DE MODELO
Cadena de la motosierra	AC1600/AC1400
Espada	AG1600/AG1400

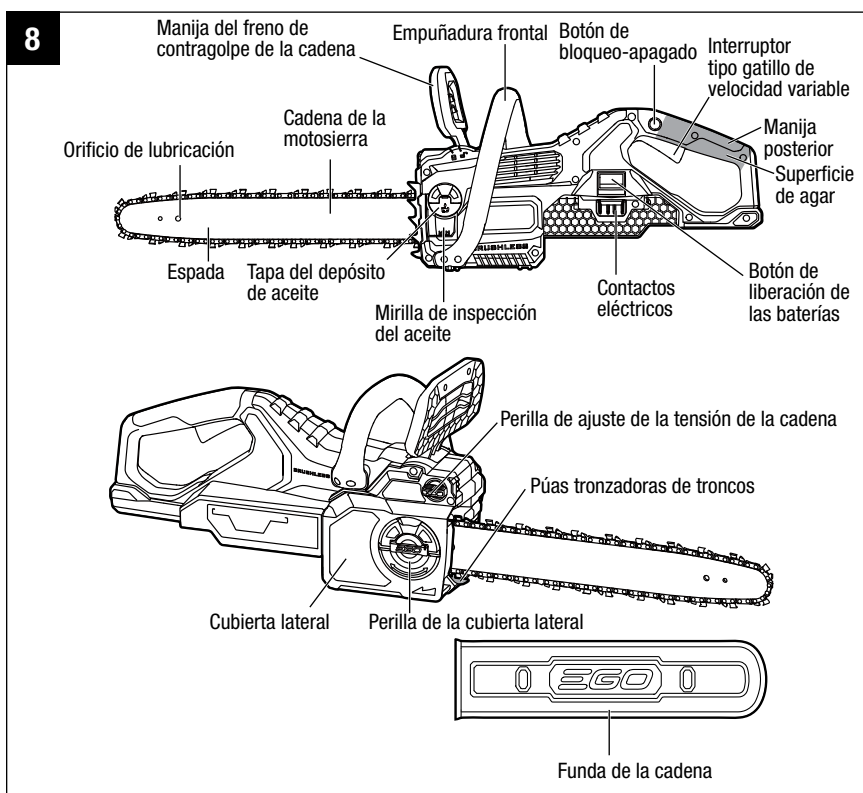
LISTA DE EMPAQUE

NOMBRE DE LA PIEZA	CANTIDAD
Motosierra	1
Funda de la cadena	1
Manual del operador	1

DESCRIPCIÓN

CONOZCA SU MOTOSIERRA (Fig. 8)

El uso seguro de este producto requiere la comprensión de la información impresa en la herramienta y en el Manual del usuario, así como ciertos conocimientos sobre el proyecto a realizar. Antes de usar este producto, familiarícese con todas las características operativas y reglas de seguridad.



CONOZCA SU MOTOSIERRA

El uso seguro de este producto requiere que se comprenda la información que figura en la herramienta y en este manual del usuario, además del conocimiento del proyecto que desea llevar a cabo. Antes de usar este producto, familiarícese con todas las características operativas y reglas de seguridad.

Interruptor tipo gatillo de velocidad variable

Enciende y apaga la motosierra y ajusta la velocidad de la cadena.

Botón de desbloqueo

Ayuda a prevenir la activación accidental o no autorizada del interruptor gatillo. Se debe presionar antes de que el interruptor gatillo se pueda activar.

Tapa del tanque de aceite

Sella el tanque de aceite.

Ventana de inspección del aceite

Permite ver el nivel de aceite.

Espada

Soporta y guía la cadena de la sierra.

Cadena de la sierra

Un bucle de cadena que tiene dientes de corte que cortan la madera cuando la cadena es impulsada por el cabezal motriz de la motosierra y soportada por la espada.

Empuñadura delantera

La empuñadura de soporte para la mano izquierda en la parte delantera de la motosierra.

Empuñadura trasera

La empuñadura de soporte para la mano derecha, ubicada en la parte trasera de la sierra. Agarre siempre la motosierra con la mano derecha en la empuñadura trasera y la mano izquierda en la empuñadura delantera.

Perilla de ajuste rápido de la tensión de la cadena

Permite realizar un ajuste rápido y preciso de la tensión de la cadena sin ayuda de un dispositivo auxiliar.

Cubierta lateral

Cubre el piñón de transmisión y fija la espada.

Perilla de la cubierta lateral

Bloquea/desbloquea la cubierta lateral.

Botón de liberación de la batería

Presione este botón para liberar el paquete de batería de la herramienta.

Púas tronadoras de troncos

Los dientes puntiagudos metálicos diseñados para utilizarse cuando se tale o cuando se tronquen troncos para pivotar la cadena de la sierra y mantener la posición, con lo cual se evita que la madera se deslice durante el aserrado. Pueden mejorar la eficiencia de corte.

ENSAMBLAJE

⚠ ADVERTENCIA: si hay piezas dañadas o faltan piezas, no utilice el producto hasta que las reemplace. Usar este producto con piezas dañadas o faltantes podría provocar lesiones personales graves.

⚠ ADVERTENCIA: No intente modificar este producto ni crear accesorios que no sean recomendados para utilizar con este producto. Cualquier alteración o modificación se considera un uso inapropiado y podría generar una condición peligrosa y provocar lesiones personales graves.

⚠ ADVERTENCIA: para evitar un arranque accidental, que puede causar lesiones graves personales, siempre retire el enchufe de la herramienta cuando no esté en uso o cuando esté ensamblando las piezas, realizando ajustes o limpiándola.

RETIRO DEL EMPAQUE

Este producto se ha enviado completamente ensamblado.

- Retire el producto y los accesorios de la caja cuidadosamente. Asegúrese de que
- todos los elementos que aparecen en la lista de empaque estén incluidos.
- Inspeccione cuidadosamente la herramienta para asegurarse de que no se produjo ninguna ruptura o daño durante su envío.
- No deseche el material de embalaje hasta que haya inspeccionado cuidadosamente y utilizado satisfactoriamente la herramienta.
- Si alguna pieza está dañada o falta, sírvase contactar a Servicio al Cliente de EGO para obtener asistencia.

UTILIZACIÓN

⚠ ADVERTENCIA: No deje que la familiaridad con este producto le haga volverse descuidado. Recuerde que una fracción de segundo de descuido es suficiente para causar lesiones graves.

⚠ ADVERTENCIA: Use siempre protección de los ojos que esté marcada para cumplir con la norma ANSI Z87.1. Si no se hace así, el resultado podría ser que se lancen objetos hacia los ojos del operador y otras posibles lesiones graves.

⚠ ADVERTENCIA: No utilice aditamentos o accesorios no recomendados por el fabricante de este producto. El uso de aditamentos o accesorios no recomendados puede causar lesiones corporales graves.

Antes de cada uso, inspeccione todo el producto para determinar si hay piezas dañadas, si faltan piezas o si hay piezas flojas, tales como tornillos, tuercas, pernos, etc. Apriete firmemente todos los sujetadores y todas las tapas, y no utilice este producto hasta que todas las piezas que falten o estén dañadas hayan sido reemplazadas.

APLICACIÓN

Puede utilizar este producto para realizar operaciones básicas de tala, desrame, poda y corte en madera y árboles.

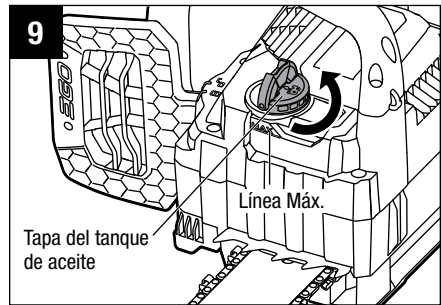
LLENADO DEL TANQUE DE ACEITE CON ACEITE PARA ESPADAS Y CADENAS

⚠ ADVERTENCIA: Para prevenir arranques accidentales que podrían causar lesiones corporales graves, retire siempre el paquete de batería de la herramienta antes de llenar el tanque con aceite.

⚠ ADVERTENCIA: No fume ni traiga fuegos o llamas cerca del aceite o la motosierra. Es posible que el aceite se derrame y cause un incendio.

AVISO: La motosierra no está llena de aceite en el momento de su compra. Es esencial llenar el tanque con aceite antes de utilizarla. La utilización de la motosierra sin aceite para cadenas o cuando el nivel de aceite esté por debajo de la marca mínima tendrá como resultado daños a la motosierra. La vida útil de la cadena y la capacidad de corte dependen de que la lubricación sea óptima. La cadena se lubrica automáticamente con aceite para cadenas durante la utilización de la motosierra.

1. Retire el paquete de batería de la motosierra.
2. Limpie la tapa del tanque de aceite y el área alrededor de la misma para asegurarse de que no caiga suciedad en el tanque de aceite.
3. Posicione la motosierra sobre uno de sus lados en una superficie plana y firme, de manera que la tapa del tanque esté orientada hacia arriba. Levante la lengüeta semicircular. Agarre la lengüeta y rote la tapa del tanque de aceite en sentido contrario al de las agujas del reloj para retirarla (Fig. 9).



4. Vierta cuidadosamente el aceite para espadas y cadenas en el tanque. Llene el tanque hasta la línea MÁX. y elimine con un paño todo exceso de aceite.
5. Reinstale la tapa. Asegúrese de que la tapa del tanque de aceite este firmemente sujeta en la posición correcta.

AVISO:

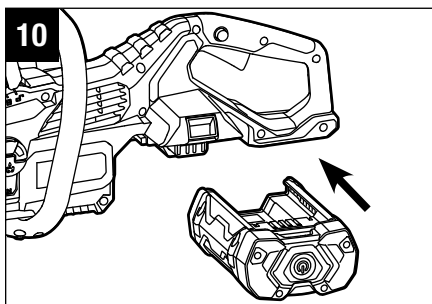
- No utilice nunca aceite u otros lubricantes que no estén diseñados específicamente para utilizarse en la espada y la cadena. Esto puede hacer que el sistema de aceite se obstruya, lo cual es posible que cause desgaste prematuro de la espada y la cadena.
- Compruebe frecuentemente el nivel de aceite y llene el tanque cuando dicho nivel descienda por debajo de la línea mínima. No utilice nunca la motosierra si el aceite no es visible.
- No utilice aceite sucio, usado o que esté contaminado de alguna otra manera. Es posible que ocurran daños en la espada o la cadena.
- Es normal que escape aceite de la sierra cuando la misma no se esté utilizando. Para prevenir los escapes, vacíe el tanque de aceite después de cada uso y luego tenga en funcionamiento la sierra durante un minuto. Cuando almacene la herramienta por un período de tiempo prolongado, asegúrese de que la cadena esté ligeramente lubricada. Esto evitará que se forme óxido en el piñón de la cadena y la espada.
- Para preservar los recursos naturales, sírvase reciclar o desechar adecuadamente el aceite. Consulte a su autoridad local de eliminación de residuos para obtener información sobre las opciones de reciclaje y eliminación disponibles.

PARA INSTALAR/RETIRAR EL PAQUETE DE BATERÍA (Fig. 10 & 11)

NOTA: Cargue completamente el paquete de batería antes de utilizarlo por primera vez.

Para instalar (Fig. 10)

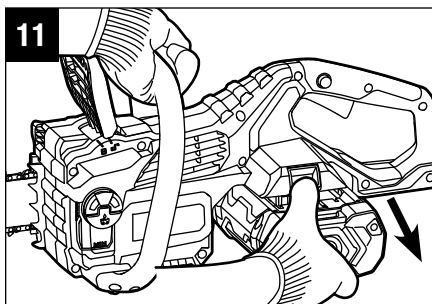
1. Alinee las costillas del paquete de batería con las ranuras de montaje del puerto para la batería de la motosierra.
2. Deslice el paquete de batería hacia el interior de la herramienta hasta que se acople audiblemente a presión en la posición correcta.



AVISO: Asegúrese de que el pestillo de la motosierra se acople a presión en la posición correcta y que el paquete de batería esté firmemente sujeto a la herramienta antes de comenzar a utilizar la misma.

Para desinstalar (Fig. 11)

⚠ ADVERTENCIA: El operador debe estar atento siempre a la ubicación de sus pies, los niños o los animales domésticos cuando presione el botón de liberación de la batería. No retire **NUNCA** el paquete de batería en un lugar elevado. Se podrían producir lesiones graves si el paquete de batería se cae.



1. Sostenga el paquete de batería en la palma de la mano.
2. Presione el botón de liberación de la batería con el dedo pulgar para desacoplar el paquete de batería del pestillo.
3. Agarre el paquete de batería y retírelo de la motosierra.

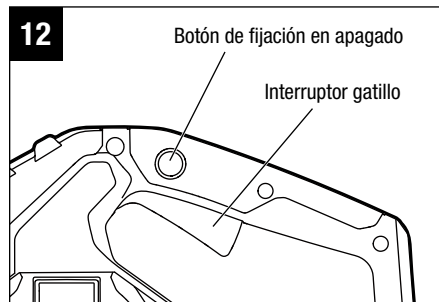
STARTING/STOPPING THE CHAIN SAW

Antes de hacer arrancar la motosierra:

1. Quite la batería al realizar los pasos que figuran a continuación.
2. Asegúrese de que la cadena esté montada adecuadamente y tensada correctamente. Si la tensión requiere ajuste, consulte el capítulo “**Ajuste de la tensión de la cadena**” en la sección “**Mantenimiento**” de este manual para obtener instrucciones de ajuste.
3. Compruebe la tensión de la perilla de la cubierta lateral antes de utilizar la herramienta. Si está floja, apriete firmemente dicha perilla girándola en el sentido de las agujas del reloj.
4. Compruebe el nivel de aceite y llene el tanque según sea necesario.
5. Compruebe si los dientes de corte de la cadena de la sierra están afilados.
6. Asegúrese de que el mango del freno antirretroceso de la cadena se mueva fácilmente hasta la posición de freno y fácilmente hacia delante entre la posición de freno y la posición de funcionamiento.
7. Agarre la motosierra con las dos manos: con la mano derecha en la empuñadura trasera y la mano izquierda en la empuñadura delantera.
8. Póngase de pie, sostenga la motosierra en una posición relajada y asegúrese de que la cadena de la sierra no esté tocando el piso ni otros objetos.
9. Asegúrese de tener un apoyo de los pies firme y equilibrado. Esté atento a los obstáculos, tales como tocones de árbol, raíces y zanjas, que podrían hacer que tropiece o dé un traspié.

Para arrancar la motosierra (Fig. 12)

1. Instale el paquete de batería.
2. Asegúrese de que no haya objetos ni obstrucciones en proximidad inmediata que podrían entrar en contacto con la espada y la cadena.
3. Jale de la empuñadura del freno contra rebote de la cadena hacia la empuñadura frontal hasta la posición operativa (fig. 11).



4. Tome las empuñaduras frontal y posterior con firmeza, usando las dos manos
5. Presione y mantenga presionado el botón de fijación en apagado con el pulgar de la mano derecha y luego apriete el interruptor gatillo de velocidad variable con los dedos de la mano derecha para arrancar la sierra.
6. Suelte el botón de fijación en apagado y continúe apretando el interruptor gatillo de velocidad variable para utilizar la herramienta de manera continua.

Para detener la motosierra

1. Mueva la motosierra alejándola del área de corte y luego suelte el interruptor gatillo de velocidad variable para detener la motosierra.
2. Empuje hacia delante la paleta del freno antirretroceso de la cadena, hasta la posición de freno, para activar el freno de la cadena (Fig. 1).

⚠ ADVERTENCIA: Retire siempre el paquete de batería de la motosierra durante las pausas de descanso del trabajo y después de acabar el trabajo.

PREPARACIÓN PARA CORTAR

Consulte la sección “**Instrucciones importantes de seguridad**” que aparece anteriormente en este manual para informarse sobre el equipo de seguridad adecuado.

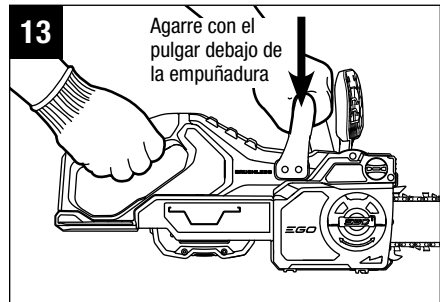
Precauciones en el área de trabajo

- Corte solo madera o materiales hechos de madera. No corte chapa metálica, plásticos, mampostería ni materiales de construcción que no sean de madera.
- No permita nunca que los niños utilicen la motosierra.
- No deje que ninguna persona que no haya leído este manual del operador o recibido instrucciones adecuadas para la utilización segura y adecuada utilice esta motosierra.
- Cuando tale un árbol, mantenga a todo el mundo –ayudantes, curiosos, niños y animales– a una distancia segura del área de corte. Durante las operaciones de tala, la distancia segura deberá ser al menos dos veces la altura de los árboles más altos del área de tala. Durante las operaciones de tronzado de troncos, mantenga una distancia mínima de 15 pies (4,5 m) entre los trabajadores. No se deberá talar árboles de manera que se pondría en peligro a cualquier persona, se golpearía cualquier línea de servicios públicos o se causarían daños materiales. Si un árbol entra en contacto con una línea de servicios públicos, manténgase alejado del árbol y de la línea, y notifique de inmediato a la empresa de servicios públicos.

- Corte siempre con los dos pies en terreno sólido para evitar ser jalado hasta desequilibrarse.
- No corte por encima de la altura del pecho, ya que una sierra que se sostenga a mayor altura es difícil de controlar contra las fuerzas de retroceso.
- No tale árboles cerca de cables eléctricos o edificios.
- Corte solo cuando la visibilidad y la luz sean adecuadas para que usted vea claramente.

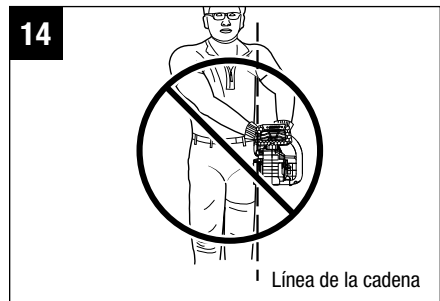
Agarre adecuado en las empuñaduras

- Use guantes antideslizantes para obtener el máximo agarre y la máxima protección.
- Con la sierra en una superficie plana y firme, agarre la sierra firmemente con las dos manos.
- Agarre siempre la empuñadura delantera con la mano izquierda y la empuñadura trasera con la mano derecha.
- Los dedos deberán formar un círculo alrededor de la empuñadura, de manera que el pulgar envuelva la parte inferior de la empuñadura delantera (Fig. 13).



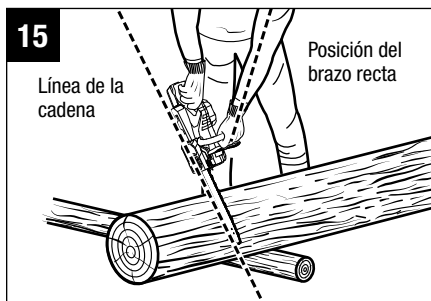
⚠ ADVERTENCIA: No use nunca un agarre con la mano izquierda (con las manos cruzadas) ni ninguna postura que podría poner el cuerpo o el brazo a través de la línea de la cadena.

⚠ ADVERTENCIA: No accione el interruptor gatillo de velocidad variable con la mano izquierda ni agarre la empuñadura delantera con la mano derecha. No deje nunca que ninguna parte del cuerpo esté en la línea de la cadena mientras esté utilizando una motosierra (Fig. 14).



Postura de corte correcta (Fig. 15)

- Ambos pies deberán estar sobre terreno sólido, con el peso distribuido uniformemente entre ellos.
- El brazo izquierdo deberá estar recto, con el codo bloqueado. Esto ayuda a resistir las fuerzas generadas por el retroceso.
- El cuerpo del operador deberá estar siempre a la izquierda de la línea de la cadena.



OPERACIONES DE CORTE

Corte básico

⚠ ADVERTENCIA: Esté siempre seguro del apoyo de los pies y agarre firmemente la motosierra con las dos manos mientras el motor esté en funcionamiento.

Practique cortar unos cuantos troncos pequeños utilizando la siguiente técnica para obtener la “sensación” de utilizar la sierra antes de comenzar una operación de aserrado importante:

1. Adopte la postura adecuada frente a la madera con la sierra apagada.
2. Presione el botón de fijación en apagado y apriete el interruptor gatillo para arrancar la motosierra. Deje que la cadena alcance la velocidad máxima antes de comenzar el corte.
3. Comience a cortar presionando ligeramente la espada contra la cadena. Utilice solo una presión ligera, dejando que la sierra haga el trabajo.
4. Mantenga una velocidad constante durante todo el corte, reduciendo la presión justo antes del final del mismo.
5. Suelte el gatillo en cuanto se haya completado el corte, para permitir que la cadena se detenga.

⚠ ADVERTENCIA: Cuando la cadena de la sierra se detenga debido a un pellizcamiento durante el corte, suelte el interruptor gatillo de velocidad variable, retire la cadena de la sierra y la espada de la madera y luego reorganice la motosierra.

⚠ ADVERTENCIA: No jale la cadena de la sierra con la mano cuando esté obstruida por el aserrín. Podrían ocurrir lesiones graves si la motosierra arranca accidentalmente. Presione la cadena de la sierra contra la madera y mueva la motosierra hacia atrás y hacia delante para descargar los residuos. Retire siempre el paquete de batería antes de limpiar la unidad. Use guantes protectores gruesos cuando maneje la cadena de la sierra.

⚠ ADVERTENCIA: No arranque nunca la motosierra cuando esté en contacto con la madera. Deje siempre que la motosierra alcance su velocidad máxima antes de aplicarla a la madera.

TALA DE UN ÁRBOL

Condiciones peligrosas

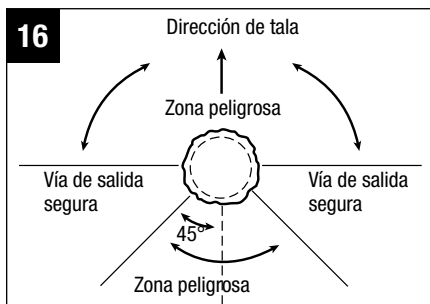
⚠ ADVERTENCIA: Cuando tale un árbol, es importante que haga caso de las siguientes advertencias para prevenir posibles lesiones graves.

- No tale árboles durante períodos de viento fuerte o precipitación intensa. Espere a que el clima peligroso haya terminado.
- No tale árboles que estén inclinados en ángulos extremos ni árboles grandes con ramas podridas, corteza suelta o troncos huecos. En lugar de ello, haga que estos árboles sean empujados o arrastrados hasta caer con equipo pesado y luego córtelos en pedazos.
- No tale árboles cerca de cables eléctricos o edificios
- Compruebe el árbol para determinar si hay ramas dañadas o muertas que podrían caer y golpearlo a usted durante la tala.
- Eche un vistazo periódicamente a la parte de arriba del árbol durante el corte trasero para asegurarse de que el árbol vaya a caer en el sentido deseado.
- Si el árbol comienza a caer en sentido incorrecto, o si la sierra queda atrapada o atorada durante la caída, ¡deje la sierra y sálvese usted!

Preparación para talar árboles

- Cuando las operaciones de tronzado de troncos y tala de árboles estén siendo realizadas por dos o más personas al mismo tiempo, la operación de tala deberá estar separada de la operación de tronzado de troncos por una distancia de al menos dos veces la altura del árbol que se esté talando. No se deberá talar árboles de manera que se pondría en peligro a cualquier persona, se golpearía cualquier línea de servicios públicos o se causaría cualquier daño material. Si un árbol entra en contacto con una línea de servicios públicos, manténgase alejado del árbol y de la línea, y notifique de inmediato a la empresa de servicios públicos.
- El operador de la motosierra deberá situarse en el lado cuesta arriba del terreno, ya que es probable que el árbol ruede o se deslice cuesta abajo después de talarlo.

- Antes de comenzar cualquier corte, escoja su ruta de escape (o rutas, en caso de que la ruta prevista quede bloqueada). Despeje el área inmediata alrededor del árbol y asegúrese de que no haya obstrucciones en sus rutas de retirada planeadas. Despeje una ruta de retirada segura aproximadamente a 135° de la línea de caída planeada. La ruta de retirada se deberá extender hacia atrás y diagonalmente a la parte trasera de la línea de caída esperada. Vea la Figura 16.



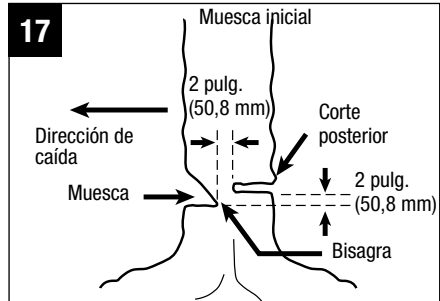
- Antes de comenzar a talar, considere la inclinación natural del árbol, la ubicación de las ramas más grandes y la dirección del viento, para determinar en qué sentido caerá el árbol.
- Retire la suciedad, las piedras, la corteza suelta, los clavos, las grapas y el alambre del árbol donde se vayan a realizar cortes de tala.

Corte inferior de enmuescado

Haga que la muesca tenga $1/3$ del diámetro del árbol, perpendicular al sentido de caída, tal y como se ilustra en la Fig. 17. Haga primero el corte de enmuescado horizontal más bajo. Esto ayudará a evitar pellizcar tanto la cadena de la sierra como la espada cuando se esté haciendo la segunda muesca.

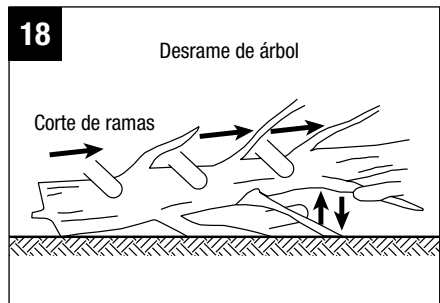
Corte trasero de tala

1. Marque el corte trasero de tala al menos 2 pulgadas (50,8 mm) más alto que el corte de enmascado horizontal (vea la Fig. 17). Mantenga el corte trasero de tala paralelo al corte de enmascado horizontal. Haga el corte trasero de tala de manera que se deje suficiente madera para que actúe como bisagra. La madera que actúa como bisagra impide que el árbol se tuerza y caiga en sentido incorrecto. No corte a través de la bisagra.
2. Cuando el corte de tala se acerque a la bisagra, el árbol debería empezar a caer. Si hay alguna probabilidad de que el árbol no caiga en el sentido deseado o que pueda oscilar hacia atrás y atorar la cadena de la sierra, detenga el corte antes de completar el corte trasero de tala y utilice cuñas de madera, plástico o aluminio para abrir el corte y dejar caer el árbol a lo largo de la línea de caída deseada.
3. Cuando el árbol comience a caer, retire la motosierra del corte, pare el motor, deje la motosierra en el piso y luego use la ruta de retirada planeada. Esté alerta a las ramas por encima de la cabeza que caigan y esté atento al apoyo de los pies.



DESFRAME

El desrame consiste en retirar las ramas de un árbol caído. Cuando desrame, deje las ramas más grandes para soportar el tronco separado del terreno. Retire las ramas pequeñas en un corte, tal y como se ilustra en la Fig. 18. Las ramas que estén bajo tensión se deberán cortar de abajo arriba, para evitar atorar la motosierra.

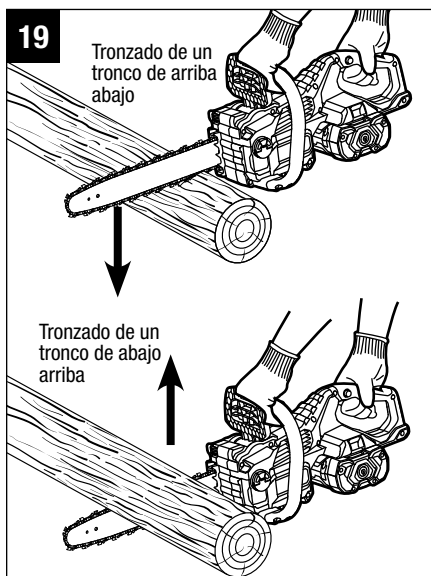


⚠ ADVERTENCIA: Hay peligro extremo de retroceso durante la operación de desrame. Tenga suma precaución y evite entrar en contacto con el tronco u otras ramas con la punta de la espada.

TRONZADO DE UN TRONCO (Fig. 19):

Tronzar es cortar un tronco en tramos longitudinales. Es importante asegurarse de que el apoyo de los pies sea firme y que el peso del operador esté distribuido uniformemente en ambos pies. Cuando sea posible, el tronco se deberá elevar y soportar mediante el uso de ramas, troncos o calzas. Siga las instrucciones sencillas para cortar fácilmente.

⚠ ADVERTENCIA: Mantenga despejada el área de corte. Asegúrese de que ningún objeto pueda entrar en contacto con la nariz de la espada y la cadena durante la operación de corte. Esto puede causar retroceso.



Tronzado de un tronco de arriba abajo

Comience en el lado superior del tronco con la parte inferior de la sierra contra el mismo; ejerza una presión ligera hacia abajo. Tenga presente que la sierra tenderá a jalar alejándose de usted.

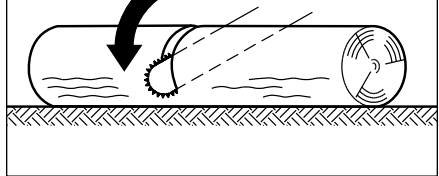
Tronzado de un tronco de abajo arriba

Comience en el lado inferior del tronco con la parte superior de la sierra contra el mismo; ejerza una presión ligera hacia arriba. Durante el tronzado de un tronco de abajo arriba, la sierra tenderá a empujar hacia atrás, hacia usted. Está preparado para esta reacción y agarre firmemente la sierra para mantener el control.

- Cuando el tronco esté soportado a lo largo de toda su longitud, se deberá cortar desde la parte superior (tronzado de un tronco de arriba abajo) (Fig. 20).
- Cuando el tronco esté soportado solo en un extremo, corte 1/3 del diámetro desde el lado inferior (tronzado de un tronco de abajo arriba). Luego, haga el corte de acabado tronizando de arriba abajo para encontrarse con el primer corte (Fig. 21).
- Cuando el tronco esté soportado en ambos extremos, corte 1/3 de ese diámetro desde el corte de tronzado de arriba abajo superior. Luego, haga el corte acabado tronizando de abajo arriba los 2/3 inferiores para encontrarse con el primer corte (Fig. 22).
- Cuando tronce un tronco de arriba abajo en una pendiente, sitúese siempre en el lado cuesta arriba del tronco (Fig. 23).
- Para mantener un control completo cuando realice un corte pasante, reduzca la presión de corte cerca del final del corte sin relajar el agarre de las empuñaduras de la motosierra. No deje que la cadena entre en contacto con el terreno. Después de completar el corte, espere a que la cadena de la sierra se detenga antes de mover la motosierra. Pare siempre el motor antes de ir de un árbol a otro.

20 Tronco apoyado sobre toda la longitud

Corte desde arriba (leñado descendente); evitar cortar el suelo.



21 Tronco apoyado sobre un extremo

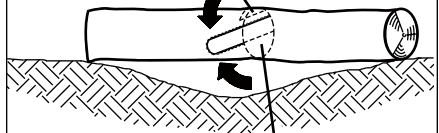
Segundo corte descendente (2/3 del diámetro) para llegar al primer corte (para evitar pellizcos)



Primer corte ascendente (1/3 del diámetro) para evitar astillado

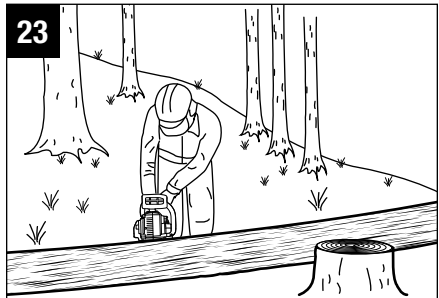
22 Tronco apoyado sobre ambos extremos

Primer corte descendente (1/3 del diámetro) para evitar astillado



Segundo corte ascendente (2/3 del diámetro) para llegar al primer corte (para evitar pellizcos)

23



MANTENIMIENTO

⚠ ADVERTENCIA: Cuando haga servicio de ajustes y reparaciones, utilice únicamente piezas de repuesto idénticas. Es posible que el uso de cualquier otra pieza cree un peligro o cause daños al producto.

⚠ ADVERTENCIA: Use siempre anteojos de seguridad o gafas de seguridad con escudos laterales durante la utilización de herramientas eléctricas o cuando sople polvo. Si la operación genera grandes cantidades de polvo, use también una máscara antipolvo.

⚠ ADVERTENCIA: Para evitar lesiones corporales graves, retire el paquete de batería de la motosierra antes de inspeccionarla, limpiarla o hacerle mantenimiento. Una herramienta alimentada por batería que tenga el paquete de batería insertado está encendida siempre y puede arrancar accidentalmente.

⚠ ADVERTENCIA: Cuando limpie la motosierra, NO la sumerja en agua u otros líquidos.

⚠ ADVERTENCIA: No deje en ningún momento que líquidos de freno, gasolina, productos a base de petróleo, aceites penetrantes, etc., entren en contacto con las piezas de plástico. Las sustancias químicas pueden dañar, debilitar o destruir el plástico, lo cual es posible que cause lesiones corporales graves.

LIMPIEZA

- Después de cada uso, elimine los residuos de la cadena y la espada con un cepillo blando. Limpie la superficie de la motosierra con un paño limpio humedecido con una solución de jabón suave.
- Retire la cubierta lateral y luego utilice un cepillo blando para retirar los residuos de la espada, la cadena de la sierra, el piñón y la cubierta lateral.
- Elimine siempre las virutas de madera, el aserrín y la suciedad del surco de la espada cuando reemplace la cadena de la sierra.

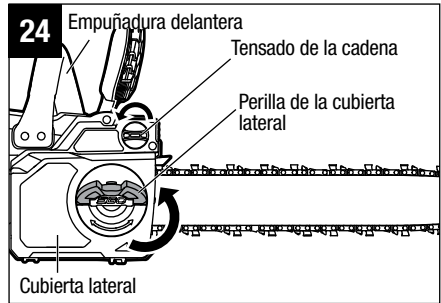
REEMPLAZO DE LA ESPADA Y LA CADENA

⚠ ADVERTENCIA: Nunca toque ni ajuste la cadena mientras el motor está en funcionamiento. La cadena es muy filosa; siempre use guantes protectores al realizar el mantenimiento de esta pieza.

AVISO: Al reemplazar la espada y la cadena, use siempre la combinación de espada y cadena especificada en la sección que figura más adelante, “**Cadena y espada recomendadas para esta motosierra**”.

Desarmado de la espada y la cadena desgastadas

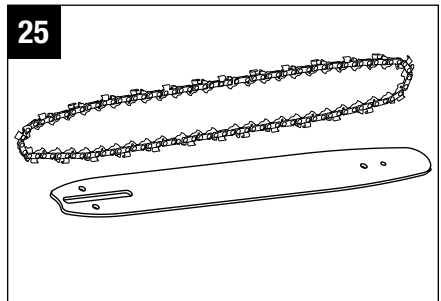
1. Retire la batería. Deje que la sierra se enfríe y luego apriete la tapa del tanque de aceite para evitar que el aceite se derrame.
2. Apoye la motosierra de lado sobre una superficie firme y plana, de modo que la cubierta lateral quede hacia arriba (fig. 24).
3. Use guantes. Retire la cubierta lateral haciendo girar la perilla en dirección contraria a las manecillas del reloj (fig. 24). Limpie la cubierta lateral con un paño seco.
4. Gire la perilla de tensado de la cadena en sentido contrario al de las agujas del reloj (Fig. 24). Retire la espada y la cadena de la superficie de montaje. Retire la cadena desgastada de la espada.



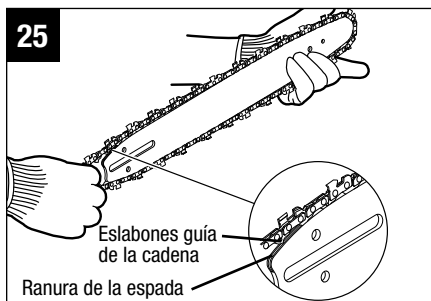
AVISO: Es un buen momento para inspeccionar el piñón de transmisión en busca de desgaste excesivo o daños.

Ensamblaje de la espada y la cadena nuevas

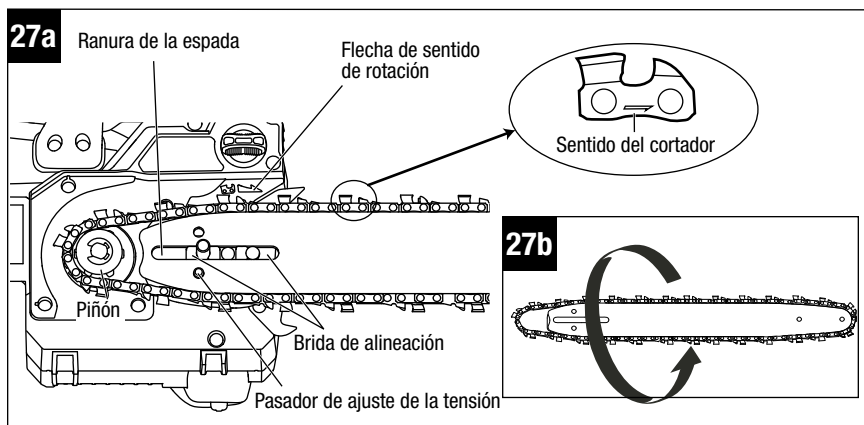
1. Apoye la cadena nueva formando un lazo sobre una superficie plana y enderece las deformaciones que pueda tener (fig. 25).



- Coloque los eslabones guía de la cadena dentro de la ranura de la espada. Posicione la cadena de modo que haya un lazo en la parte posterior de la espada (fig. 26).
- Sostenga la cadena en posición sobre la espada y coloque el lazo alrededor del piñón del cabezal motor.



AVISO: Hay flechas direccionales pequeñas grabadas en la cadena de la sierra y la cubierta lateral (Fig. 27a). Cuando forme un bucle con la cadena de la sierra sobre el piñón, asegúrese de que el sentido de las flechas ubicadas en la cadena de la sierra se corresponda con el sentido de la flecha ubicada en la cubierta lateral. Si las flechas están orientadas en sentidos opuestos, voltee el ensamblaje de la cadena de la sierra y la espada (Fig. 27b).



- Coloque la espada sobre la superficie de montaje deslizando la ranura de la espada sobre las bridas de alineación, asegurándose de que el pasador de ajuste de la tensión esté insertado en el agujero inferior de la cola de la espada (Fig. 27a).
- Reinstale la cubierta lateral y apriete ligeramente la perilla de la cubierta lateral girándola en el sentido de las agujas del reloj. La espada debe estar libre para moverse con el fin de ajustar la tensión.
- Tense la cadena siguiendo el capítulo **“AJUSTE DE LA TENSIÓN DE LA CADENA”**.

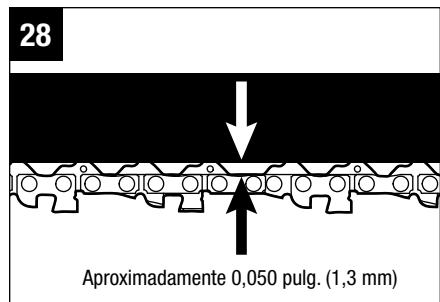
AVISO: Para prolongar la vida útil de la espada, inviértala ocasionalmente.

⚠ PRECAUCIÓN: La cadena de la sierra debe estar tensada correctamente antes de utilizar la motosierra.

Ajuste de la tensión de la cadena

1. Pare el motor y retire el paquete de batería antes de ajustar la tensión de la cadena.
2. Afloje la perilla de la cubierta lateral hasta el punto en que esté apretada con los dedos.
3. Gire la perilla de ajuste de la tensión de la cadena en el sentido de las agujas del reloj hasta que la cadena se asiente firmemente contra la espada con los eslabones guía en el surco de la espada. La cadena está tensada correctamente cuando no hay arqueado en la parte inferior de la espada y la cadena está tensa, pero se puede girar a mano sin que se atore.
4. Si la cadena está demasiado apretada para rotar, gire la perilla de ajuste de la tensión de la cadena en sentido contrario al de las agujas del reloj para reducir la tensión de la cadena. Luego, reapriete la cadena siguiendo el paso 3.
5. Reapriete la perilla de la cubierta lateral.
 - Una cadena fría está tensada correctamente cuando no hay holgura en el lado inferior de la espada y la cadena está tensa, pero se puede girar a mano sin que se atore. La cadena se debe retensar cuando las superficies planas de los eslabones guía no se asienten en el surco de la espada.
 - Durante la utilización normal de la sierra, la temperatura de la cadena aumentará. Los eslabones guía de una cadena caliente tensada correctamente colgarán aproximadamente 0,050 pulgadas (1,3 mm) fuera del surco de la espada (Fig. 28).

AVISO: Las cadenas nuevas tienden a estirarse. Compruebe frecuentemente la tensión de la cadena y ajústela según sea necesario.



AVISO: Es posible que una cadena tensada mientras esté caliente esté demasiado tensa al enfriarse. Compruebe la tensión en frío antes del próximo uso.

MANTENIMIENTO DE LA CADENA

Use solo cadenas de bajo contragolpe para esta motosierra. Esta cadena de corte rápido brinda una reducción del contragolpe cuando se mantiene correctamente.

Una cadena bien afilada corta la madera sin esfuerzo, incluso con muy poca presión. Nunca use una cadena dañada o sin filo. Una cadena con cortantes desafilados aumenta el esfuerzo físico que debe hacer el usuario y la carga de vibración, produce resultados de corte insatisfactorios y aumenta el desgaste.

Para que el corte sea uniforme y rápido, la cadena debe mantenerse correctamente. La cadena debe afilarse cuando las astillas de madera son pequeñas y como polvo, la cadena debe forzarse para que atraviese la madera durante el corte o la cadena corta de un lado. Durante el mantenimiento de la cadena, tenga en cuenta lo siguiente:

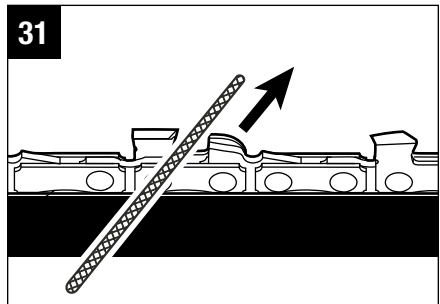
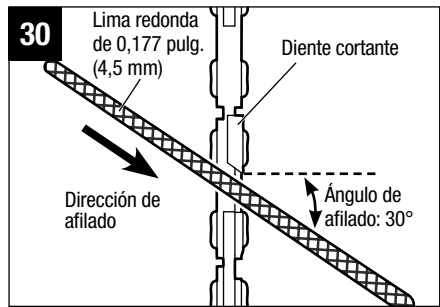
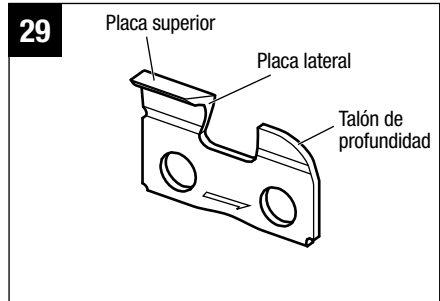
- Si el ángulo de afilado de la placa lateral es incorrecto, puede aumentar el riesgo
- de producirse un efecto rebote importante.
- Holgura de los dientes limpiadores (calibres de profundidad). Si es demasiado baja se aumenta el potencial de retroceso. Si no es suficientemente baja se reduce la capacidad de corte.
- Si los dientes de los cortadores han golpeado objetos duros, como clavos y piedras, o han sufrido abrasión por lodo o arena presente en la madera, haga que la cadena sea afilada por un técnico de servicio calificado.

AVISO: Inspeccione el piñón de transmisión para determinar si está desgastado o dañado cuando reemplace la cadena. Si hay presentes señales de desgaste o daños en las áreas indicadas, haga que el piñón de transmisión sea reemplazado por un técnico de servicio calificado.

Cómo afilar los eslabones cortantes

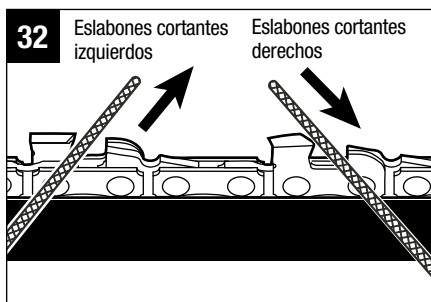
Asegúrese de afilar todos los cortadores (Fig. 29) conforme a los ángulos especificados y con la misma longitud, ya que solo se puede obtener un corte rápido cuando todos los cortadores son uniformes.

1. Retire el paquete de batería. Use guantes para protegerse.
2. Tense adecuadamente la cadena antes de afilarla. Consulte el capítulo “**AJUSTE DE LA TENSIÓN DE LA CADENA**” que aparece anteriormente en este manual.
3. Utilice una lima redonda de 0,177 pulgadas (4,5 mm) de diámetro y un portalimas (disponibles por separado). Realice todo el limado en la posición central de la espada.
4. Mantenga la lima nivelada con la placa superior del diente. No deje que la lima se hunda o se sacuda.
5. Mantenga un ángulo de afilado correcto de 30° entre la lima y la cadena de la sierra; vea las Fig. 30 y 31. Use siempre un portalimas (disponible por separado) cuando afile cadenas de sierra a mano. Los portalimas tienen marcas para el ángulo de afilado.



6. Haciendo una presión leve pero firme, haga movimientos hacia la esquina frontal del diente. Aleje la lima levantándola del acero en cada movimiento de regreso.

7. Haga unas cuantas pasadas firmes en cada diente. Lime todos los cortadores de la izquierda en un sentido. Luego, vaya al otro lado y lime los cortadores de la derecha en sentido contrario. Retire ocasionalmente las limaduras de la lima con un cepillo de alambre (Fig. 32).



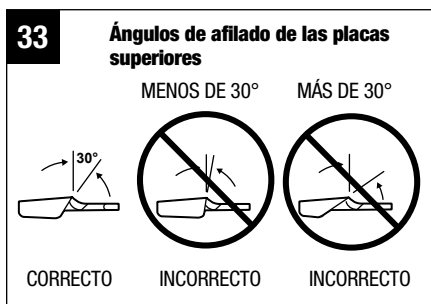
⚠ ADVERTENCIA: Una cadena desafilada o afilada incorrectamente puede causar una velocidad excesiva del motor durante el corte, lo cual puede provocar daños severos al motor.

⚠ ADVERTENCIA: Si el afilado de la cadena no es correcto, aumenta el potencial de efecto rebote.

⚠ ADVERTENCIA: Si no se reemplaza o repara una cadena dañada, se pueden causar lesiones graves.

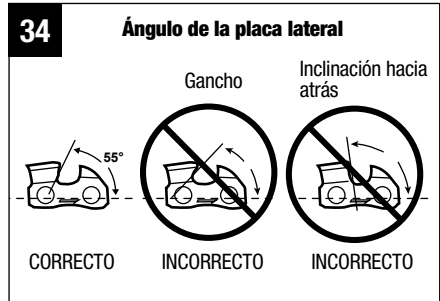
Ángulos de afilado de la placa superior (Fig. 33)

- **CORRECTO 30°:** Este ángulo óptimo se puede obtener solo cuando se utilicen las limas especificadas y la configuración adecuada. Los portalimas están marcados con marcas de guía para alinear la lima correctamente con el fin de producir el ángulo correcto de la placa superior.
- **MENOS DE 30°:** El diente está demasiado desafilado para cortar.
- **MÁS DE 30°:** El borde del diente de corte está biselado y se desafilado rápidamente.



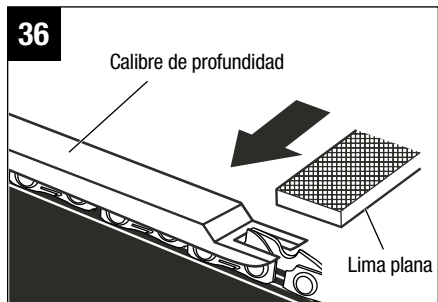
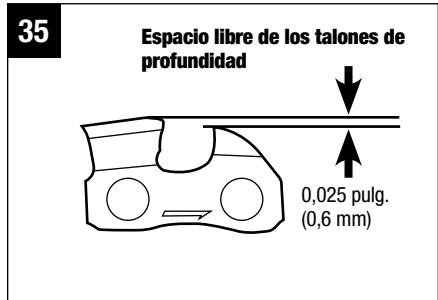
Ángulo de la placa lateral (Fig. 34)

- **CORRECTO 55°:** El ángulo óptimo se puede producir automáticamente si se utiliza una lima de diámetro correcto en el portalimas.
- **GANCHO:** Se “agarra” y desfila rápidamente. Aumenta el potencial de **RETROCESO**. Se produce como resultado de utilizar una lima con un diámetro que es demasiado pequeño o una lima que se sostiene demasiado baja.
- **PENDIENTE HACIA ATRÁS:** Necesita demasiada presión de avance, causa un desgaste excesivo en la espada y la cadena. Ocurre como resultado de utilizar una lima con un diámetro demasiado grande o una lima que se sostiene demasiado alta.



Espacio libre del talón de profundidad

1. El talón de profundidad debe mantenerse a un espacio libre de 0.025 in (0.6 mm), como se muestra en la Fig. 35. Use una herramienta de calibre de profundidad (se vende por separado) para verificar el espacio libre de los talones de profundidad.
2. Cada vez que se afile la cadena, mida el espacio libre de los talones de profundidad. Use una lima plana y un calibre de profundidad (se venden por separado) para bajar todos los talones de manera uniforme (Fig. 36). Los calibres de profundidad están disponibles de 0.020 in a 0.035 in (de 0.5 mm a 0.9 mm). Use un calibre de profundidad de 0.025 in. (0.6 mm).



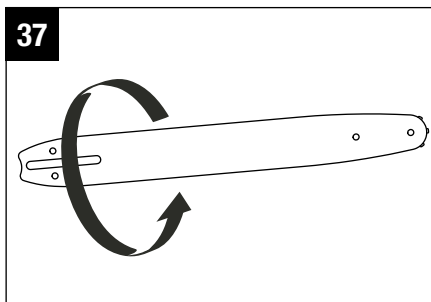
3. Los talones de profundidad deben ajustarse con la lima plana en la misma dirección en que se limó el eslabón cortante adyacente con la lima redonda. Tenga cuidado de no tocar la superficie del eslabón cortante con la lima plana cuando ajuste los talones de profundidad.

MANTENIMIENTO DE LA ESPADA

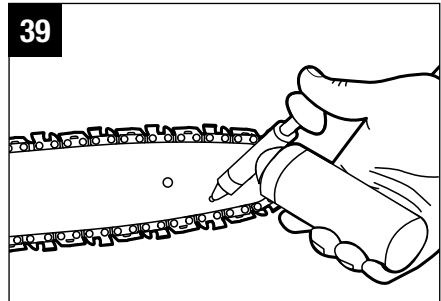
Cuando la espada muestre indicios de desgaste, desármela del cabezal de potencia de la motosierra y voltéela para volver a instalarla (Fig. 37) y así distribuir el desgaste y lograr una máxima vida útil de la espada.

La espada debe limpiarse (incluidos los rieles de la espada, el orificio para grasa y el orificio para aceite) todos los días que se use y debe verificarse que no presente desgaste ni daños (Fig. 38). Las deformaciones o rebabas en los rieles de la espada son una consecuencia normal del desgaste de la espada. Estos defectos deben suavizarse con una lima en cuanto ocurran. Si la espada tiene alguno de los siguientes defectos, debe reemplazarse. Consulte la sección **“REEMPLAZO DE LA ESPADA Y LA CADENA”** de este manual.

- Desgaste dentro de los rieles de la espada que permite que la cadena se apoye de costado.
- Dobleces en la espada.
- Rieles agrietados o rotos.
- Rieles muy abiertos.

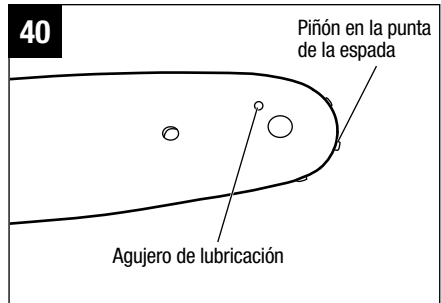


La espada tiene un piñón en la punta. El piñón debe lubricarse semanalmente con una jeringa de grasa para prolongar la vida útil de la espada (Fig. 39 y 40). Gire el piñón de la boquilla mientras se bombea grasa en el orificio de lubricación hasta que haya grasa nueva en toda la rueda dentada. No empuje suciedad hacia el orificio.



TRANSPORTE Y ALMACENAMIENTO

- No almacene ni transporte la motosierra cuando esté en funcionamiento. Retire siempre el paquete de batería antes de almacenar o transportar la motosierra.
- Coloque siempre la funda de la cadena sobre la espada y la cadena antes de almacenar o transportar la motosierra. Tenga precaución para evitar los dientes afilados de la cadena.
- Limpie minuciosamente la motosierra antes de almacenarla. Almacene la motosierra en un lugar interior seco que esté cerrado con llave y/o sea inaccesible para los niños.
- Mantenga la unidad alejada de los agentes corrosivos, tales como productos químicos de jardín y sales anticongelantes.



RESOLUCIÓN DE PROBLEMAS

PROBLEMA	CAUSA	SOLUCIÓN
El motor no funciona.	<ul style="list-style-type: none"> ■ El paquete de batería no está instalado en la motosierra. ■ No hay contacto eléctrico entre la sierra y la batería. ■ El paquete de batería está agotado. ■ El paquete de batería o la motosierra están demasiado calientes. ■ El freno de la cadena está activado. ■ Hay residuos en el surco de la espada. ■ Hay residuos en la cubierta lateral. 	<ul style="list-style-type: none"> ■ Instale el paquete de batería en la motosierra. ■ Retire la batería, compruebe los contactos y reinstale el paquete de batería. ■ Cargue el paquete de batería. ■ Deje que el paquete de batería o la motosierra se enfríen hasta que la temperatura descienda por debajo de 152 °F (67 °C). ■ Jale hacia atrás el mango del freno antirretroceso de la cadena, hacia la empuñadura delantera. ■ Presione la cadena de la sierra contra la madera y mueva la motosierra hacia detrás y hacia delante para descargar los residuos. ■ Retire el paquete de batería y luego retire la cubierta lateral y elimine los residuos.
La motosierra deja de funcionar durante su utilización	<ul style="list-style-type: none"> ■ La motosierra está sobrecargada. ■ El paquete de batería o la motosierra están demasiado calientes. ■ La motosierra está atorada en la madera. 	<ul style="list-style-type: none"> ■ Reduzca la carga ■ Deje que el paquete de batería o la motosierra se enfríen hasta que la temperatura descienda por debajo de 152 °F (67 °C). ■ Suelte el interruptor gatillo de velocidad variable; retire la cadena y la espada de la sierra de la madera y luego reanque la motosierra.

PROBLEMA	CAUSA	SOLUCIÓN
El motor funciona, pero la cadena de la sierra no rota.	<ul style="list-style-type: none"> ■ La cadena no se acopla en el piñón de transmisión. 	<ul style="list-style-type: none"> ■ Reinstale la cadena, siguiendo el capítulo "REEMPLAZO DE LA ESPADA Y LA CADENA". Asegúrese de que los eslabones guía de la cadena estén completamente asentados sobre el piñón.
El freno de la cadena no se activa.	<ul style="list-style-type: none"> ■ Los residuos impiden el movimiento completo del mango del freno antirretroceso de la cadena. ■ Posible malfuncionamiento del freno de la cadena. 	<ul style="list-style-type: none"> ■ Retire los residuos del mecanismo externo del freno de la cadena. ■ Contacte a Servicio al Cliente de EGO para realizar la reparación.
La motosierra no corta correctamente.	<ul style="list-style-type: none"> ■ Tensión de la cadena insuficiente. ■ Cadena desafilada. ■ La cadena está instalada al revés. ■ Cadena desgastada. ■ Cadena seca o excesivamente estirada. ■ La cadena no está en el surco de la espada. 	<ul style="list-style-type: none"> ■ Reajuste la tensión de la cadena, siguiendo el capítulo: "AJUSTE DE LA TENSIÓN DE LA CADENA". ■ Afile los cortadores de la cadena, siguiendo el capítulo: "CÓMO AFILAR LOS CORTADORES". ■ Reinstale la cadena de la sierra, siguiendo el capítulo: "REEMPLAZO DE LA ESPADA Y LA CADENA". ■ Reemplace la cadena, siguiendo el capítulo: "REEMPLAZO DE LA ESPADA Y LA CADENA". ■ Compruebe el nivel de aceite. Rellene el tanque de aceite si es necesario. ■ Reinstale la cadena de la sierra, siguiendo el capítulo: "REEMPLAZO DE LA ESPADA Y LA CADENA".

PROBLEMA	CAUSA	SOLUCIÓN
La cadena se afloja o se cae de la espada durante el uso normal.	<ul style="list-style-type: none">■ La cadena se aflojará a medida que la temperatura de la misma aumente durante la utilización normal de la sierra.■ La cadena no se acopla en el piñón de transmisión.	<ul style="list-style-type: none">■ Aumente la tensión de la cadena, siguiendo el capítulo: “AJUSTE DE LA TENSIÓN DE LA CADENA”.■ Reinstale la cadena de la sierra, siguiendo el capítulo: “REEMPLAZO DE LA ESPADA Y LA CADENA”.
La espada y la cadena funcionan calientes y humeantes.	<ul style="list-style-type: none">■ Compruebe la tensión de la cadena para determinar si existe una situación de sobretensión.■ El tanque de aceite de la cadena está vacío.■ Hay residuos en el surco de la espada.	<ul style="list-style-type: none">■ Retense la cadena de la sierra, siguiendo el capítulo: “AJUSTE DE LA TENSIÓN DE LA CADENA”.■ Llene el tanque con aceite para espadas y cadenas.■ Elimine los residuos del surco.

GARANTÍA

POLÍTICA DE GARANTÍA

Garantía limitada de 5 años en equipos de energía para exteriores y energía portátil EGO POWER+ para uso doméstico personal.

Garantía limitada de 3 años en paquetes de batería y cargadores del Sistema EGO POWER+ para uso personal doméstico. Se aplica una garantía extendida adicional de 2 años para la batería de 10,0 Ah/12,0 Ah, tanto si se vende por separado (número de modelo BA5600T/BA6720T) como si se incluye con cualquier herramienta, si se registra dentro del plazo de 90 días después de su compra. Garantía limitada de 5 años en el cargador CHV1600, diseñado para utilizarse con la cortadora de césped con asiento con radio de giro cero para uso personal doméstico.

Garantía limitada de 2 años/1 año en equipos de energía para exteriores, energía portátil, paquetes de baterías y cargadores EGO para uso profesional y comercial.

Los períodos de garantía detallados por productos se pueden encontrar en línea en <http://egopowerplus.com/warranty-policy>.

Póngase en contacto con Servicio al Cliente de EGO de manera gratuita al 1-855-EGO-5656, cuando tenga preguntas o reclamaciones de garantía.

GARANTÍA LIMITADA DE SERVICIO

Los productos EGO están garantizados contra defectos de material o de fabricación a partir de la fecha de compra original al por menor durante el período de garantía aplicable. El producto defectuoso será reparado gratuitamente.

- a) Esta garantía se aplica solo al comprador original del distribuidor minorista autorizado de EGO y podría no ser transferible. Los distribuidores minoristas autorizados de EGO se identifican en línea, en <http://egopowerplus.com/warranty-policy>.
- b) El período de garantía para productos reacondicionados o certificados de fábrica que se utilizan para fines residenciales es de 1 año, para fines industriales, profesionales o comerciales es de 90 días.
- c) El período de garantía para las piezas de mantenimiento de rutina, tales como, pero sin limitarse a, asiento de cortadora de césped con asiento, ruedas, llantas, ruedas anticorte al ras, disco de freno, bloque de fricción, cuchillas, cabezales de orilladora, espadas de cadena, cadenas de sierra, correas, barras rascadoras, paletas de caucho, barrenas, zapatas antideslizantes, boquillas de soplador y todos los demás accesorios EGO, es de 90 días para fines residenciales y 30 días para fines industriales, profesionales o comerciales. Estas piezas están cubiertas durante 90/30 días contra defectos de fabricación en condiciones de trabajo normales.
- d) Esta garantía queda nula si el producto se ha puesto en alquiler.

- e) Esta garantía no cubre daños producto de modificaciones, alteraciones o reparaciones no autorizadas.
- f) Esta garantía solo cubre defectos que surjan del uso normal y no cubre el mal funcionamiento, las fallas ni los defectos que resulten del mal uso, el abuso (que incluye la sobrecarga del producto más allá de su capacidad y sumergirlo en agua o en cualquier otro líquido), accidentes, negligencia o falta de instalación adecuada y mantenimiento o almacenamiento inadecuados.
- g) Esta garantía no cubre el deterioro normal del acabado exterior, incluidos, entre otros, rayones, abolladuras, trozos de pintura o cualquier corrosión o decoloración producida por el calor o limpiadores químicos y abrasivos.

CÓMO OBTENER EL SERVICIO

Para obtener el servicio de garantía, póngase en contacto con Servicio al Cliente de EGO de manera gratuita al **1-855-EGO-5656**. Cuando pida un servicio cubierto por la garantía, debe presentar el recibo con la fecha original de venta. Un centro de servicio autorizado será seleccionado para reparar el producto de acuerdo con los términos establecidos en la garantía. Cuando lleve el producto al centro de servicio autorizado, es posible que deba hacer un pequeño depósito cuando deje la herramienta. Este depósito se reembolsará cuando se considere que el servicio de reparación se haya cubierto con la garantía.

LIMITACIONES ADICIONALES

En la medida en que la ley aplicable lo permita, se deniegan todas las garantías implícitas, inclusive las garantías de COMERCIALIZABILIDAD o IDONEIDAD PARA UN PROPÓSITO ESPECÍFICO. Todas las garantías implícitas, inclusive las garantías de comerciabilidad o idoneidad para un propósito específico, que no se puedan denegar bajo la ley estatal, están limitadas al período de garantía aplicable definido al comienzo de este artículo.

Chervon North America no se hará responsable por daños directos, indirectos, accidentales o resultantes.

Algunos estados no permiten limitaciones con respecto a la duración de una garantía implícita y/o no permiten la exclusión o limitación de daños accidentales o resultantes, de modo que las limitaciones antes descritas podrían no aplicarse en su caso.

Esta garantía le otorga derechos legales específicos, pero podría tener también otros derechos que varían según el estado.

Para obtener el servicio al cliente, póngase en contacto con nosotros de manera gratuita al: **1-855-EGO-5656** o visite: **EGOPOWERPLUS.COM**
EGO Customer Service, 769 SEWARD AVE NW / Suite 102 Grand Rapids, MI 49504