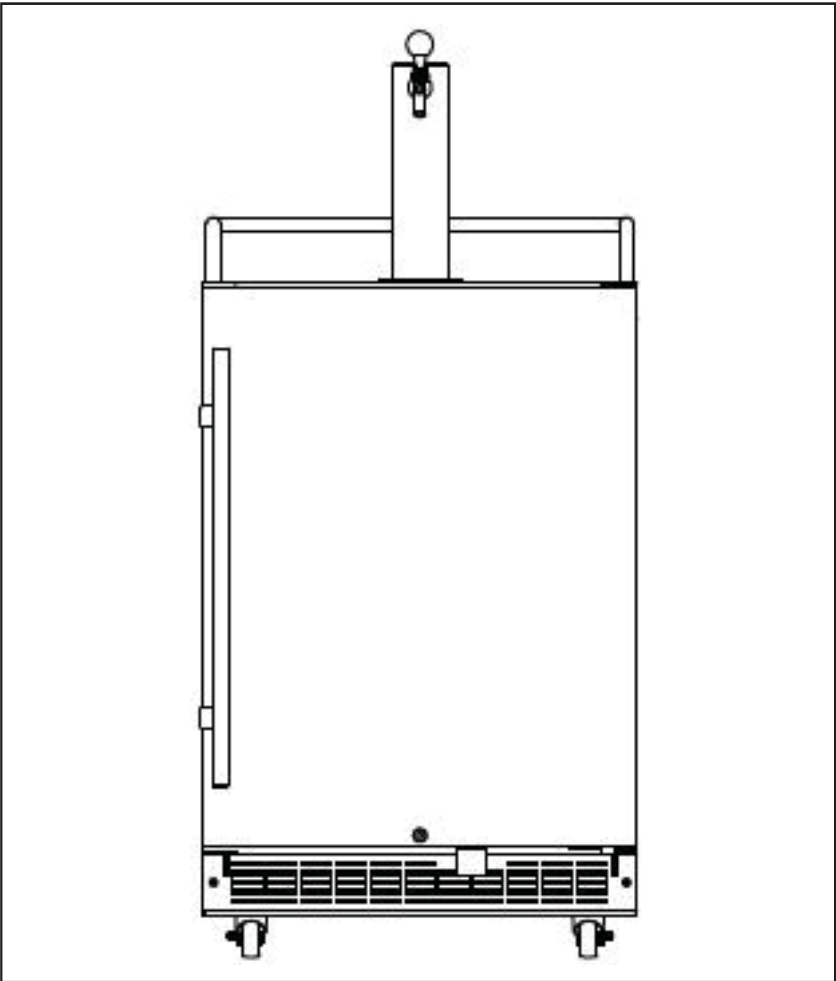




OWNER'S MANUAL
 MANUEL DU PROPRIÉTAIRE
 MANUAL DEL PROPIETARIO

MODEL * MODÈLE * MODELO
DKC055D1SSPRO



OUTDOOR KEG COOLER Owner's Manual.....	1 - 14
GLACIÈRE DE BIÈRE PRESSION EXTÉRIEUR Manuel du propriétaire.....	15 - 28
BARRIL REFRIGERADOR AL AIRE LIBRE Manual del propietario.....	29 - 42

1-844-455-6097

Welcome

Welcome to the Silhouette family. We are proud of our quality products and we believe in dependable service. We suggest that you read this owner's manual before plugging in your new appliance as it contains important operation information, safety information, troubleshooting and maintenance tips to ensure the reliability and longevity of your appliance.

Visit www.SilhouetteAppliances.com to access self service tools, FAQs and much more. For additional assistance call **1-844-455-6097**.

Note the information below; you will need this information to obtain service under warranty. You must provide the original purchase receipt to validate your warranty and receive service.

Model Number: _____

Serial Number: _____

Date of Purchase: _____

Need Help?

Before you call for service, here are a few things you can do to help us serve you better.

Read this owner's manual:

It contains instructions to help you use and maintain your appliance properly.

If you receive a damaged appliance:

Immediately contact the retailer or builder that sold you the appliance.

Save time and money:

Check the troubleshooting section at the end of this manual before calling. This section will help you solve common problems that may occur.



1-844-455-6097



Important Safety Information

READ AND FOLLOW ALL SAFETY INSTRUCTIONS

SAFETY REQUIREMENTS

DANGER: Risk of fire or explosion. Flammable refrigerant used. Do not puncture refrigerant tubing.

- Do not use mechanical devices to defrost refrigerator.
- Ensure that servicing is done by factory authorized service personnel, to minimize product damage or safety issues.

WARNING: Keep ventilation openings, in the appliance enclosure or in the built-in structure, clear of obstruction.

WARNING: Do not use mechanical devices or other means to accelerate the defrosting process, other than those recommended by the manufacturer.

WARNING: Do not damage the refrigerant circuit.

WARNING: Do not use electrical appliances inside the food storage compartments of the appliance, unless they are of the type recommended by the manufacturer.

CAUTION: Risk of fire or explosion. Flammable refrigerant used.

- Consult repair manual or owner's guide before attempting to service this product. All safety precautions must be followed.
- Dispose of properly in accordance with federal or local regulations.
- Follow handling instructions carefully.

CAUTION: Children should be supervised to ensure that they do not play with the appliance.

DANGER: Risk of child entrapment. Before throwing away an old appliance:

- Remove the door or lid.
- Leave shelves in place so that children may not easily climb inside.

SAFETY REQUIREMENTS

This appliance is not intended for use by persons (including children) whose physical, sensory or mental capabilities may be different or reduced, or who lack experience or knowledge, unless such persons receive supervision or training to operate the appliance by a person responsible for their safety.

GROUNDING INSTRUCTIONS

This appliance must be grounded. Grounding reduces the risk of electrical shock by providing an escape wire for the electrical current.

This appliance has a cord that has a grounding wire with a 3-prong plug. The power cord must be plugged into an outlet that is properly grounded. If the outlet is a 2-prong wall outlet, it must be replaced with a properly grounded 3-prong wall outlet. The serial rating plate indicates the voltage and frequency the appliance is designed for.

WARNING - Improper use of the grounding plug can result in a risk of electric shock. Consult a qualified electrician or service agent if the grounding instructions are not completely understood, or if doubt exists as to whether the appliance is properly grounded.

Do not connect your appliance to extension cords or together with another appliance in the same wall outlet. Do not splice the power cord. Do not under any circumstances cut or remove the third ground prong from the power cord. Do not use extension cords or ungrounded (two prongs) adapters.

If the power supply cord is damaged, it must be replaced by the manufacturer, its service agent or similar qualified person in order to avoid hazard.

SAVE THESE INSTRUCTIONS!



Important Safety Information

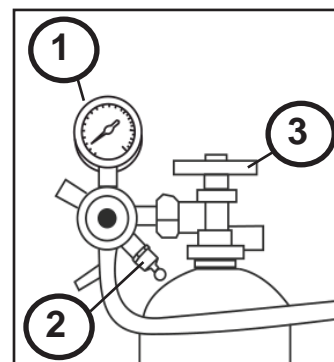
READ AND FOLLOW ALL SAFETY INSTRUCTIONS

WARNING: CO₂ CAN BE DANGEROUS!

CO₂ Cylinders, when charged, contain high pressure compressed gas which can be hazardous if not handled properly. Read and understand the following procedures for CO₂ cylinders before installation:

1. Always check the D.O.T. (Department of Transportation) as well as the T.C. (Transport Canada) test date located on the neck of the cylinder before installation. If the date is older than five years, do not use! Return the gas cylinder to a gas supplier for re-certification (service charges may be applicable).
2. Always connect a CO₂ gas cylinder to a regulator. Failure to do so could result in an explosion which can possibly result in death or injury when the cylinder valve is opened.
3. Always follow correct procedures when cylinders are changed as per local codes.
4. Always secure a CO₂ gas cylinder in an "upright" position.
5. Always keep a CO₂ gas cylinder away from heat. Store extra cylinders in a cool place (preferably 70°F/21°C or less).
6. Always ventilate and leave the area immediately after any leakage of CO₂.
7. Never drop or throw a CO₂ cylinder.
8. Never connect a keg without at least one safety pressure release:
 - One at or on the CO₂ regulator.
 - One at or on the product container coupler in the pressure gas line.

1. Pressure gauge dial
2. Pressure relief ring
3. Open/Close valve



Ensure the CO₂ tank is empty before courier or 3rd party transport.

DANGER - A charged CO₂ tank is under extreme pressure. Uncontrolled release of pressure is extremely dangerous. The instructions below use the regulator to control the release of this pressure in a safe manner. Do not bypass the regulator.

1. Open valve by turning counter-clockwise. The pressure gauge dial will show a value if tank contains pressure.
2. Pull pressure relief ring. Released gas should be heard.
3. Continue to hold the pressure relief open until the tank is empty and the pressure dial reads zero.
4. Release the pressure relief ring.
5. Close valve by turning clock-wise.

CO₂ WARNING

If it becomes difficult to breathe or your head starts to ache, abnormal concentrations of carbon dioxide (CO₂) may be present in the area.

CLOSE THE VALVE ON THE CO₂ CYLINDER, VENTILATE AND LEAVE THE ROOM IMMEDIATELY!

IMPORTANT WARNING

Beer is easily available with Danby's Keg Cooler, however, it is not intended to be available to people under the legal age to consume beer. Danby does not assume liability for the unlawful use or consumption of the beer.

PLEASE DRINK RESPONSIBLY AND DON'T DRINK AND DRIVE!

SAVE THESE INSTRUCTIONS!

INSTALLATION INSTRUCTIONS

LOCATION

- Two people should be used when moving the appliance.
- Remove interior and exterior packaging prior to installation. Wipe the outside of the appliance with a soft, dry cloth and the inside with a lukewarm wet cloth.
- Place the appliance on a floor that is strong enough to support it when it is fully loaded.
- Before connecting the appliance to a power source, let it stand upright for approximately 6 hours. This will reduce the possibility of a malfunction in the cooling system from handling during transportation.
- This appliance is 23.4 inches (59.5 cm) wide by 38 inches (96.5 cm) high (when installed with leveling legs and guard rail) by 27.8 inches (70.6 cm) deep. Make sure that you leave the minimum amount of space between the appliance and all surrounding walls and vents.
- Casters are included with this appliance. If the casters are installed, the height increases to 39.9 inches (101.4 cm).
- **WARNING:** To avoid hazard due to instability of the appliance, it must be fixed in accordance with the instructions.
- Keep flammable material and vapors such as gasoline away from the appliance. Only use nonflammable cleaner.
- Do not overload the appliance.

AMBIENT TEMPERATURE LIMITS

Do not install this appliance in a location where temperature will fall below 41°F (5°C) or rise above 109°F (43°C).

Operating the appliance in an ambient temperature which is too cold can cause the compressor to turn off for too long, causing the internal temperature, possibly resulting in loss of contents.

For best performance, do not install the appliance behind a cabinet door or block the front vent.

FRONT VENT

This appliance is front breathing. Do not block the front air vent as this will result in high operating temperatures, higher energy usage and possible system overheating and failure.

LEVELING INSTRUCTIONS

There is one adjustable foot on the bottom of the appliance that can be turned up or down to ensure that the appliance is level.

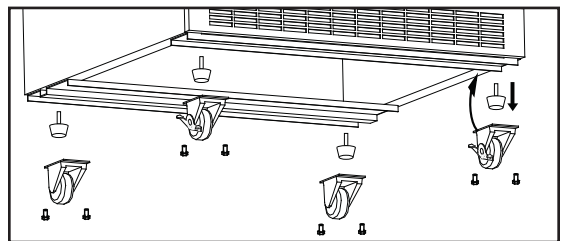
1. Turn the leveling foot counter-clockwise as far as it will go, until the top of the foot is touching the bottom of the cabinet.
2. Slowly turn the leveling foot clockwise until the appliance is level.

CASTER INSTALLATION

To reduce the risk of personal injury or property damage, unplug the appliance and use two people to complete the caster installation.

1. Place the appliance on its back. Protect the floor and the back of the appliance from damage by laying the appliance on a towel or blanket.
2. Remove the three solid feet. Unscrew the leveling foot. Keep the solid feet and the leveling foot in a safe place for future use.
3. Install the non-locking casters on the back of the appliance.
4. Install the locking casters on the front of the appliance.

Note: Once caster installation is complete, the appliance must be allowed to stand upright for 6 hours before plugging in to avoid damage to internal components.



INSTALLATION INSTRUCTIONS

PREPARING THE ENCLOSURE

Gloves and safety goggles should be worn during installation.

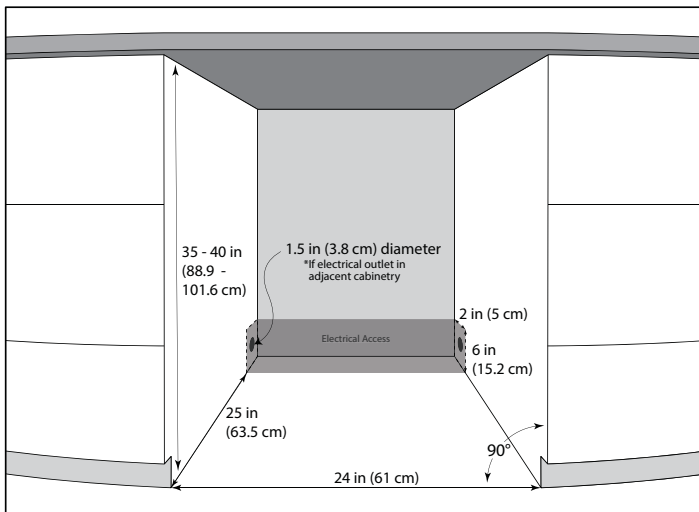
If installing this appliance into an enclosure, ensure that the casters, the guard rail and drip tray are not installed on top of the appliance. These items will create an obstacle for the enclosed installation.

The cabinet opening must be at least 24 inches (61 cm) wide by 35 inches (88.9 cm) high by 25 inches (63.5 cm) deep.

It is not recommended to build the appliance into an enclosure with the casters installed.

Note: The listed depth requirement is assuming that the electrical outlet is located in the adjacent cabinetry or flush mounted in the rear wall, not surface mounted inside the enclosure.

If the electrical outlet is located inside adjacent cabinetry, cut a 1.5 inch (3.8 cm) diameter hole to admit the power cord. If the cabinet wall is metal, the hole edge must be covered with a bushing or grommet.

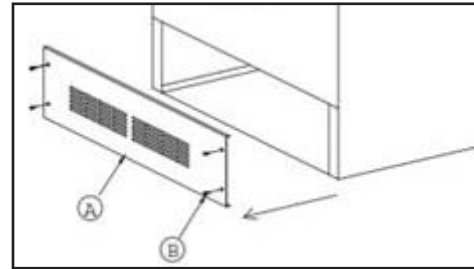


REQUIRED TOOLS

- Safety goggles
- Gloves
- Tape measure
- Carpenter square
- Level
- Flashlight
- Electric drill with hole bit

COMPRESSOR COVER REMOVAL

If the appliance will be built into an enclosure, the compressor housing cover must first be removed. This is to allow air flow around the compressor so that it does not over heat. Keep the cover and screws in a safe place so that they can be used again in future if necessary.



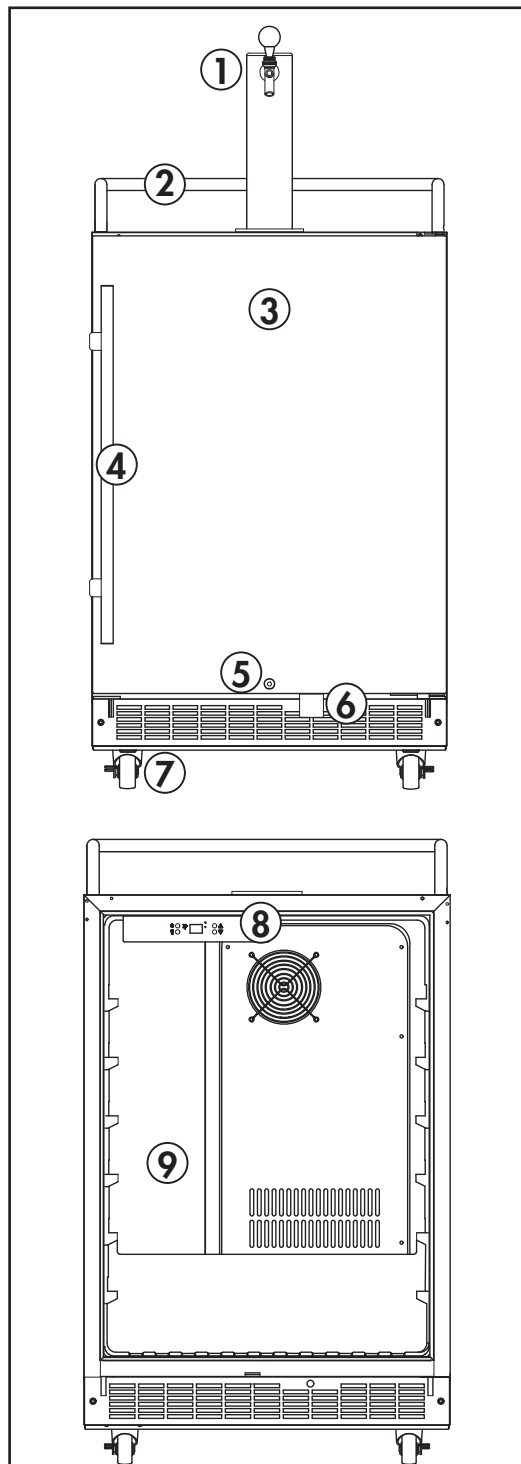
ACCESSORIES

- The following accessories are included:
 - 1 guard rail
 - 1 drip tray
 - 1 CO₂ regulator
 - 1 CO₂ cylinder (empty)
 - 1 CO₂ gas air line hose (colored)
 - 1 beer line hose (clear)
 - 1 beer keg coupler (American Sankey only)
 - 1 faucet tower
 - 1 pull handle (for beer tower faucet)
 - 4 plastic plugs (for guard rail holes)
 - 1 metal plate for cabinet bottom
 - 1 steel clamp for colored hose
 - 4 casters (2 with locks and 2 without)
 - 4 leveling legs (pre-installed)

INSTALLATION INSTRUCTIONS

FEATURES

1. Faucet Tower
2. Guard Rail
3. Insulated Stainless Steel Wrapped Door
4. Stainless Steel Towel Bar Door Handle
5. Door Lock
6. Door Actuator
7. Casters / Leveling Feet
8. Electronic Display and White LED Light
9. CO₂ Gas Cylinder Compartment



ASSEMBLY INSTRUCTIONS

CO₂ Cylinder, Regulator and Air Line Installation

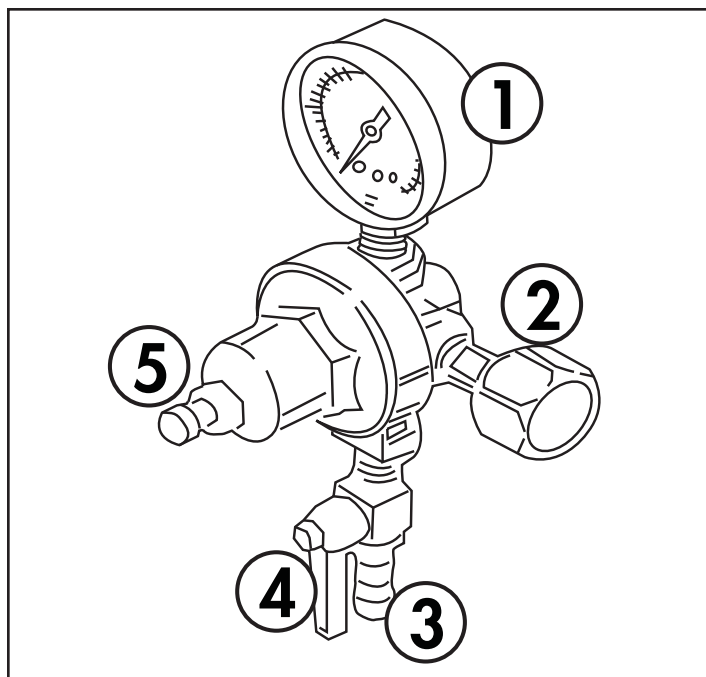
The CO₂ cylinder does not come filled. The cylinder must be filled with CO₂ before use.

Attach the CO₂ regulator to the cylinder by turning the regulator nut onto the cylinder valve, making sure the washer is securely inserted into the connecting nut. Tighten snug using an adjustable wrench (not supplied) and ensure there are no leaks, i.e. no hissing sounds when the CO₂ is turned on.

Attach the open end of the colored air line hose to the hose barb connection on the regulator. Secure the hose by using the clamp provided. Use pliers or a screwdriver to tighten the clamp to prevent leaks.

Place the CO₂ cylinder into the cylinder compartment inside the refrigerator cabinet.

CO₂ Regulator Components



1. Pressure Gauge
2. Regulator Nut (CO₂ Cylinder Connection)
3. Barb Connection (Air Line Hose Connection)
4. CO₂ Shut Off Valve (Shown in the open position)
5. CO₂ PSI Adjustment Screw

INSTALLATION INSTRUCTIONS

Faucet Tower Installation

Remove the plug from the top of the fridge cabinet by twisting and pulling out. Save the plug for later use.

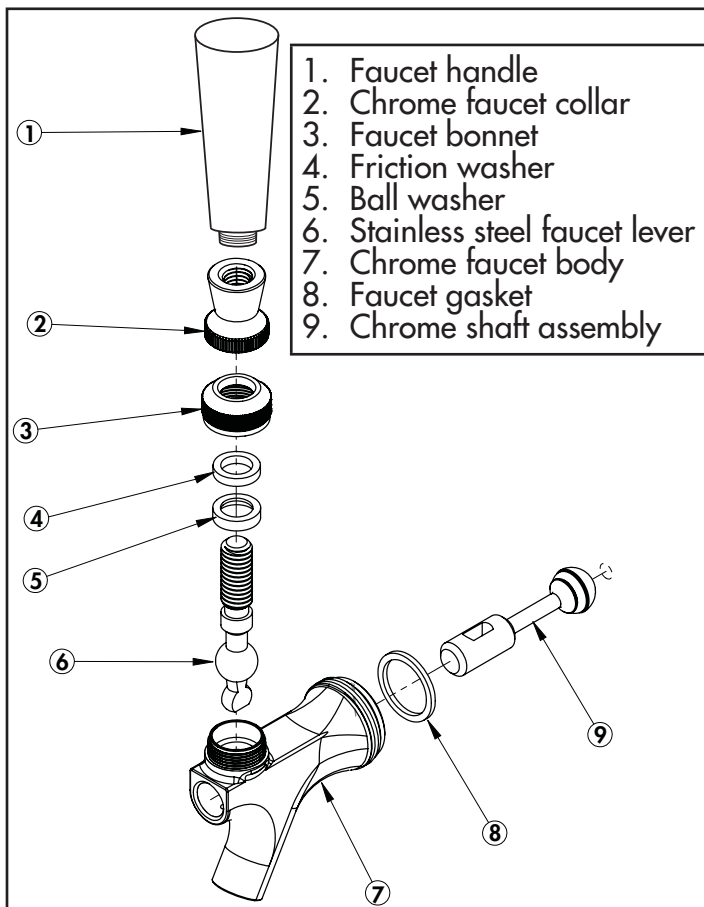
Unravel the beer line (clear hose) from the faucet tower and insert the beer line and wing nut through the uncovered hole on top of the appliance.

Lock the beer tower assembly to the top of the appliance and make sure to position the beer faucet so it is aligned with the front of the cabinet.

The rubber gasket can be used to make the connection between the tower and the cooler tighter if needed. If the beer tower will not turn to lock in place, try removing the rubber gasket. The rubber gasket may not be required in all unit configurations.

If the tower faucet is leaking or if the beer is very foamy, ensure that the washers inside the faucet are intact. Replace the washers with spare parts from the accessory bag, if necessary.

Faucet Components



Protective Metal Plate Installation

The protective metal plate should be installed on the bottom of the inside of the cabinet. This plate should always be installed when a keg is in place to protect the floor of the cabinet against damage.

Beer Keg Installation

Position the beer keg directly in front of the open door. Using keg handles only, carefully lift the beer keg. Lift the front of the keg just enough so the front end of the keg is resting on the front edge of the keg cooler bottom cabinet. Grasp the keg handles and slide the keg all the way into the cabinet.

Note: Two people should lift the keg to avoid back injury.

Connecting the Air Line to the Coupler

Attach the end of the air line (colored) hose to the hose connection on the side of the coupler. Ensure that the check valve is inserted into the connection, number 4 on the image below.

If, after assembly, beer will not flow, ensure that the check valve has a small hole in it. If there is no hole in the check valve then CO₂ cannot enter the line and the beer will not flow.

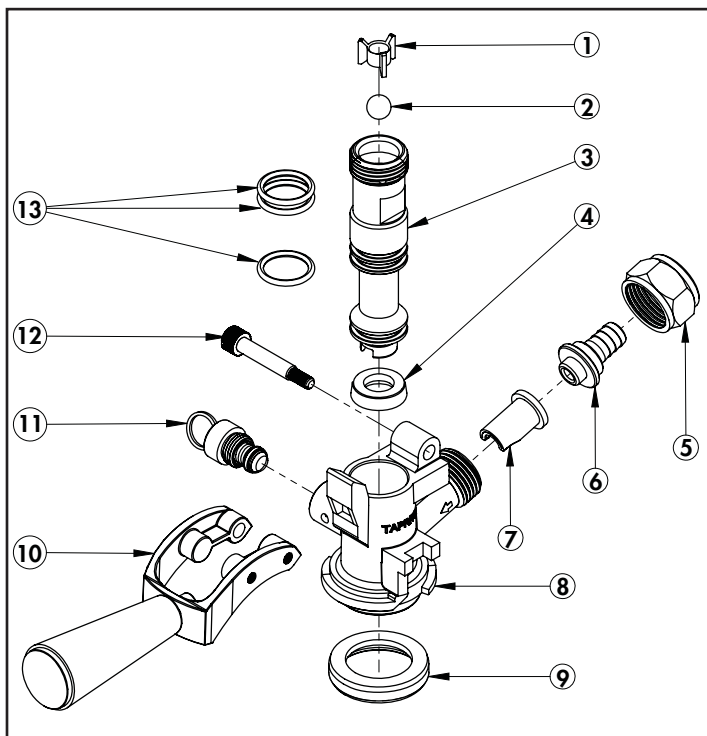
Connecting the Beer Tower to the Coupler

Ensure all washers are properly inserted into the coupler. Ensure the valve spool plastic rod is in place inside the coupler. Place the wing nut attached to the end of the beer line into the top of the coupler, turning until tight.

If, after assembly, the beer is very foamy, it most likely means that a connection in the coupler is leaking and air is entering the lines. Double check all connections in the coupler and replace the washers from the accessory bag as necessary.

INSTALLATION INSTRUCTIONS

Coupler Components



1. Ball retainer
2. Nylon coupler ball
3. Nickel plated probe
4. Probe seal
5. Hex nut
6. Tail piece
7. Check valve
8. Coupler body
9. Coupler seal
10. Handle assembly
11. Pressure relief assembly
12. Handle hinge pin
13. O-rings

Note: The coupler included with the appliance is a standard American Sankey coupler which should fit all domestic kegs.

If using an imported or non-standard keg, it will be necessary to purchase a coupler that can fit the keg.

How to Tap a Keg of Beer

Make sure the CO₂ is turned off and the valve on the regulator is in the closed position.

Pull out and release the pressure release valve on the coupler to purge any air pressure.

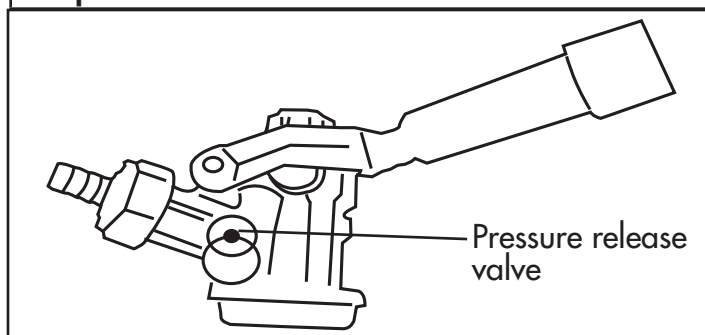
Make sure the beer tower faucet handle is in the closed position.

Insert the keg coupler into the locking neck of the beer keg and turn it clockwise to lock into position, making sure the keg coupler handle is in the closed position, with the handle up.

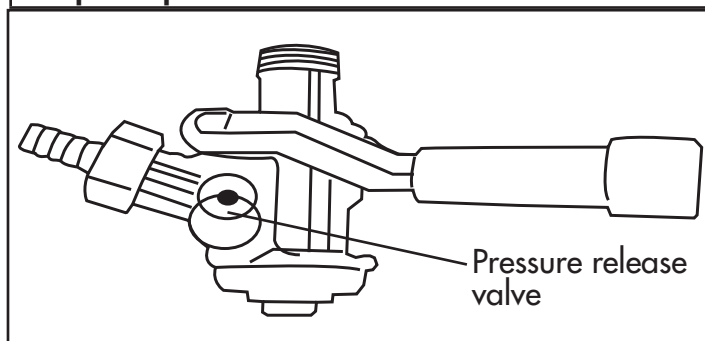
Pull coupler handle out and downward until it locks into its open position. The teeth on the underside of the coupler will bite into the locking neck of the beer keg.

Note: If a keg is very tall, it may be necessary to connect the coupler to the keg before inserting the keg into the keg cooler.

Coupler Closed Position



Coupler Open Position



INSTALLATION INSTRUCTIONS

Opening the CO₂ Cylinder Main Valve

To begin the flow of CO₂, turn the valve on the top of the CO₂ cylinder. The pressure gauge on the regulator will begin to climb.

Turn the CO₂ shut off valve on the regulator to the open position to allow CO₂ to travel through the air line and into the coupler.

Adjusting the CO₂ Regulator

The pressure gauge monitors the air pressure inside the lines and should be adjusted to read between 8-12 PSI.

The pressure can be adjusted at any time, as needed. If the beer is very foamy, try turning the PSI down. If the flow of beer is very weak, try turning the PSI up.

After making any adjustment to the PSI, wait 5-10 minutes before attempting to pour another beer to allow the pressure inside the lines to equalize.

- To increase the PSI, turn the adjustment screw clockwise.
- To decrease the PSI, turn the adjustment screw counter-clockwise.

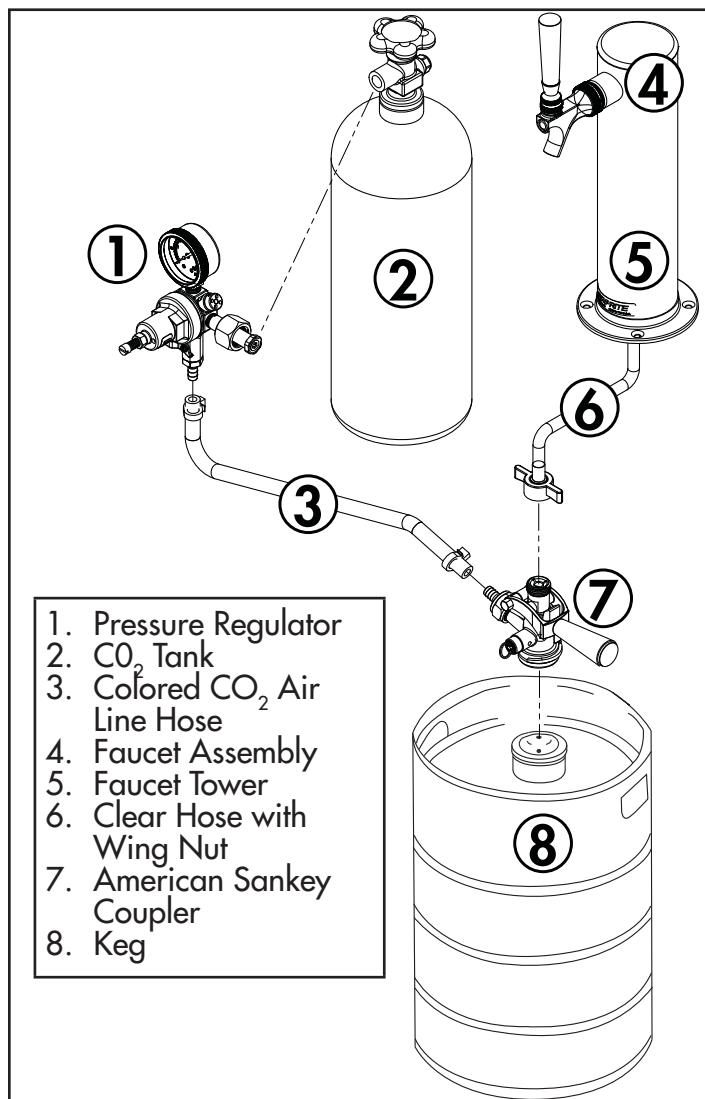
Checking Connections For Leaks

Weak connection points can allow the escape of CO₂ or allow air into the system, both of which can cause weak beer flow or excessively foamy beer.

Leaking connections can sometimes be identified by hissing at the connection points. They can also be identified by spraying water on the connection point and watching for bubbles to form.

If a leaking connection point is found, it should be rectified before attempting to use the system again. Turn off the flow of CO₂ and replace any gaskets or washers in the connection points. Tighten all nuts with a wrench. Test the system again before using to ensure all connection points are secure.

Completed Assembly



CONVERTING TO A REFRIGERATOR

This appliance can be converted to a refrigerator if desired.

1. Disconnect and remove the keg, the coupler, the regulator and the CO₂ cylinder from the refrigerator cabinet.
2. Remove the faucet tower, the guard rails and the drip tray from the top of the refrigerator cabinet.
3. Replace the cover for the opening on top of the refrigerator cabinet.
4. Install the provided wire shelves in the refrigerator cabinet.
5. Set the control panel to the desired temperature. Allow the appliance to remain empty for a minimum of two hours before stocking with food or beverage items to ensure it reaches the desired temperature.

INSTALLATION INSTRUCTIONS

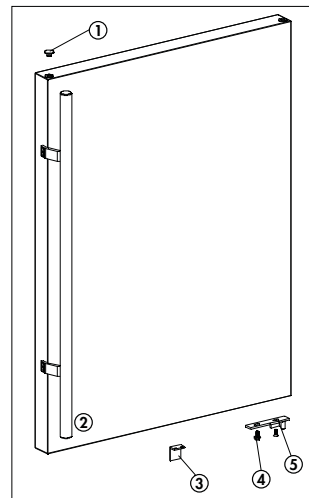
DOOR REVERSAL INSTRUCTIONS

If the appliance is placed on its back or side for any length of time during this process, it must be allowed to remain upright for 6 hours before plugging it in to avoid damage to the internal components.

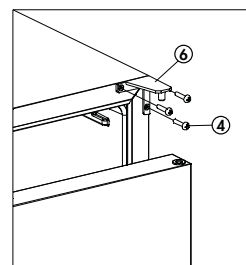
1. Open the door to a 90° angle and remove the two screws from the door axis. Slide the bottom of the door outward to remove it from the chassis. Remove the hinge hole cover from the top left side of the door and install on the right side.
2. Remove the upper right hinge.
3. Remove the screw hole covers from the top left of the cabinet and install the upper right hinge. Put the screw hole covers in the screw holes on the right side of the cabinet.
4. The lower left hinge is pre-installed on the cabinet. Remove the door support from the lower left hinge and install on the lower right hinge.
5. Install the door on the upper left hinge and attach the door to the lower left hinge using the door axis. Before tightening the screws ensure that the top of the door is level with the top of the cabinet, that the actuator is making contact with the light switch at the bottom of the cabinet and that the rubber gasket is making a good seal with the cabinet all the way around.
6. Move the door handle from the left side of the door to the right side.

- | |
|----------------------|
| 1. Hinge Hole Cover |
| 2. Door Handle |
| 3. Actuator |
| 4. Screws |
| 5. Door Axis |
| 6. Upper Right Hinge |
| 7. Upper Left Hinge |
| 8. Lower Left Hinge |
| 9. Door Support |

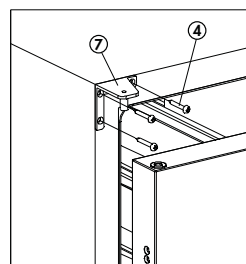
1



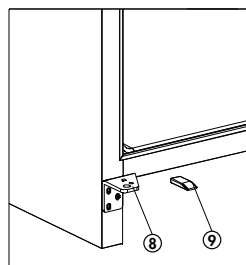
2



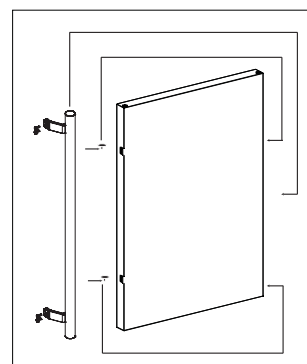
3



4



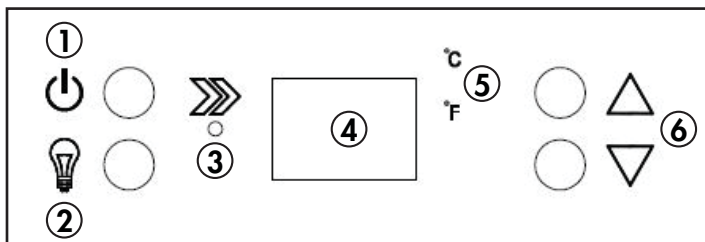
5



OPERATING INSTRUCTIONS

CONTROL PANEL

1. **Power Button:** Press and hold this button for 3 seconds to turn the appliance on or off.
2. **Light Button**
3. **Power Light:** Indicator light illuminates to signify that cooling mode is currently in operation.
4. **Temperature Display:** Shows the set temperature.
5. **°C / °F:** Indicator light signifies which temperature scale is currently being displayed.
6. **Up and Down Buttons:** Used to increase or decrease the set temperature in 1° increments.



DISPENSING OF BEER

- Keep beer keg refrigerated at all times.
- Hold glass at a 45° angle, when it is 2/3 full, start to straighten the glass as it fills.
- Always make sure the faucet handle is pushed all the way back before removing the glass.
- The refrigerator compartment cannot accommodate the "Coors" style beveled barrel keg.
- This keg cooler accepts domestic kegs up to 17 inches (43 cm) in diameter and up to 23.3 inches (59.2 cm) in height. Check with the distributor to make sure the keg is the correct size.
- It is important to allow the keg to sit upright and undisturbed for 2 hours before tapping to avoid excessive foaming.

Keg sizes that can be used in the keg cooler			
Size	Liters	Gallons	# 12 oz. glasses
1/2 barrel	59	15.5	163
1/4 barrel	30	7.8	82
1/6 barrel	20	5.2	60
1/8 barrel	15	4.0	41

FUNCTION INSTRUCTION

The default temperature setting is 43°F (6°C). The default temperature scale is °F.

To switch the display between °F and °C, press the upper and lower temperature buttons simultaneously for approximately 3-5 seconds.

The temperature can be set as low as 36°F (2°C) or as high as 50°F (10°C).

Actual temperature inside the appliance can vary based on ambient temperature, how often the door is opened and how many warm bottles have recently been added to the appliance.

Each depression of the Up and Down buttons will adjust the temperature in 1° increments.

Door Ajar Alarm: If the door is not closed completely for 5 minutes, an alarm will sound. Close the door to silence the alarm.

If the door is closed and the alarm continues to sound, check that the actuator at the bottom of the door is making contact with the switch on the appliance.

Temperature Memory: If the appliance loses power, the control panel will remember the set temperature. Once power is restored, the appliance will return to normal functioning automatically.

Temperature Alarm: If the inner cabinet temperature is higher than 73°F (23°C) for one hour, the error code "HI" will show on the display panel and an alarm will sound.

If the inner cabinet temperature is lower than 28°F (-2°C) the error code "LO" will show on the display panel and an alarm will sound.

If the inner cabinet temperature remains at 28°F (-2°C) for more than 30 minutes, the error code "CL" will show on the display panel and an alarm will sound. The appliance will stop functioning to prevent the contents from freezing.

Interior Light: The interior light will default to turning on and off when the door is opened or closed.

Press the light button once to turn the light off while the door is open. The light will resume default functioning when the door is closed.

CARE & MAINTENANCE

CLEANING THE APPLIANCE

Ensure the appliance is unplugged before cleaning.

- To clean the inside of the appliance, use a soft cloth and a solution of a tablespoon of baking soda to one quart of water or a mild soap solution or some mild detergent.
- Clean the outside with a soft, damp cloth and some mild detergent.
- It is important to keep the area clean where the door seals against the cabinet. Clean this area with a soapy cloth. Rinse with a damp cloth and let dry.

Note: Do not use cleaners containing ammonia or alcohol on the appliance. Ammonia or alcohol can damage the appearance of the appliance. Never use any commercial or abrasive cleaners or sharp objects on any part of the appliance.

CLEANING THE BEER LINE AND FAUCET

Beer lines should be periodically cleaned to remove crystallized sugar build up which forms, commonly referred to as "beerstore". If the "beerstore" is not completely removed it will leave an unsanitary surface that can harbor microorganisms which will cause an undesirable flavor or cause the beer to go flat. Sufficient "beerstore" will also lead to dispensing problems ranging from 'wild' beer (too much foam) to flat beer, regardless of the carbonation levels or age of the beer in the keg.

The beer line should be cleaned approximately once every three weeks or every other keg, whichever comes first. The faucet should be cleaned on a weekly basis or prior to every use if not used on a regular basis.

To clean the beer line and faucet, take them apart and allow them to soak in hot water for at least ten minutes. Rinse thoroughly and allow them to dry before reassembling the appliance. Do not use soap in the beer line or faucet as this can affect the beer flavor.

Note: If the faucet handle is difficult to move, this is usually indicative that it requires cleaning. Do not apply force to move the handle in this situation as this can lead to damaging the handle or faucet and will not be covered by the warranty.

ERROR CODES

If the "HI", "LO" or "CL" error codes appear on the display for more than 5 minutes, a power reset may rectify the issue. Unplug the appliance, wait 5 minutes and then plug the unit back in. If the error code persists after a power reset, contact consumer care or an authorized service agent.

DEFROST

This unit is equipped with an automatic defrost function and does not require manual defrosting. Defrost water from the appliance is channeled into a drip tray located above the compressor. Heat transfer from the compressor causes the defrost water to evaporate.

VACATION

- **Short vacations:** Leave the appliance operating during vacations of less than three weeks.
- **Long vacations:** If the appliance will not be used for several months, remove all items and turn off the appliance. Clean and dry the interior thoroughly. To prevent odor and mold growth, leave the door open slightly, blocking it open if necessary.

MOVING

- Remove all contents.
- Turn the leveling foot up to avoid damage.
- Tape the door shut.
- Be sure the appliance stays in the upright position during transportation. Protect the outside of the appliance with a blanket.
- If the appliance is placed on its back or side during transportation, upon reaching the destination, allow it to remain upright for 6 hours before plugging in to avoid damage to the internal components.

DISPOSAL

This appliance may not be treated as regular household waste, it should be taken to the appropriate waste collection point for recycling of electrical components. For information on local waste collection points, contact your local waste removal agency or government office.

TROUBLESHOOTING

Silhouette Consumer Care: 1-844-455-6097

Hours of operation:

Monday to Thursday 8:30 am - 6:00 pm Eastern Standard Time

Friday 8:30 am - 4:00 pm Eastern Standard Time

Information in this manual is subject to change without notice.

PROBLEM	POSSIBLE CAUSE
No power	<ul style="list-style-type: none"> • A fuse may be blown or the circuit breaker tripped • Plug not fully inserted into the wall outlet
Internal temperature not cold enough Appliance runs continuously Alarm sounding and "HI" on the display panel	<ul style="list-style-type: none"> • Door is not shut properly or opened excessively • Exhaust vent is obstructed • Ambient temperature or humidity is very high • Possible system leak, evaporator fan failure or compressor failure
Alarm sounding and "LO" or "CL" on the display panel	<ul style="list-style-type: none"> • Ambient temperature is excessively low • Sensor failure
Excessive beer foam	<ul style="list-style-type: none"> • Ensure the beer line hose from the tower and the CO₂ air line hose from the CO₂ regulator are attached to the correct connections on the coupler; beer line to the top of the coupler, CO₂ air line to the side of the coupler • Check that there are no leaks in any connections • Ensure that the reed valve in the CO₂ connection at the coupler has a hole in it • The CO₂ pressure may be set too high; try turning the pressure down • Ensure that the valve spool plastic rod is inserted into the coupler
Weak beer flow	<ul style="list-style-type: none"> • Ensure the beer line hose from the tower and the CO₂ air line hose from the CO₂ regulator are attached to the correct connections on the coupler; beer line to the top of the coupler, CO₂ air line to the side of the coupler • Check that there are no leaks in any connections • Ensure that the reed valve in the CO₂ connection at the coupler has a hole in it • The CO₂ pressure may be set too low; try turning the pressure up • Ensure there are no bends or kinks in any of the hoses that could impede flow

Silhouette

LIMITED "IN HOME" WARRANTY

This quality product is warranted to be free from manufacturer's defects in material and workmanship, provided that the unit is used under the normal operating conditions intended by the manufacturer.

This warranty is available only to the person to whom the unit was originally sold by Danby Products Limited (Canada) or Danby Products Inc. (U.S.A.) (hereafter "Danby") or by an authorized distributor of Danby, and is non-transferable.

TERMS OF WARRANTY

Plastic parts are warranted for thirty (30) days from the date of purchase, with no extensions provided.

First 24 months During the first **twenty four (24) months**, any functional parts of this product found to be defective, will be repaired or replaced, at warrantor's option, at no charge to the original purchaser.

To obtain service Contact the dealer where the unit was purchased, or contact the nearest authorized Danby service depot, where service must be performed by a qualified service technician. If service is performed on the unit by anyone other than an authorized service depot, all obligations of Danby under this warranty shall be void.

Boundaries of in-home service Danby reserves the right to limit the boundaries of "In Home Service" to the proximity of an authorized service depot. Any appliance requiring service outside the limited boundaries of "In Home Service", will be the consumer's responsibility to transport at their own expense to the original point of purchase or a service depot for repair. If the appliance is installed in a location that is **100 kilometers (62 miles)** or more from the nearest service center, it must be delivered to the nearest authorized Danby Service Depot by the purchaser.

Transportation charges to and from the service location are not protected by this warranty and are the responsibility of the purchaser.

Nothing within this warranty shall imply that Danby will be responsible or liable for any spoilage or damage to food or other contents of this appliance, whether due to any defect of the appliance, or its use, whether proper or improper.

EXCLUSIONS

Save as herein provided, by Danby, there are no other warranties, conditions, representations or guarantees, express or implied, made or intended by Danby or its authorized distributors and all other warranties, conditions, representations or guarantees, including any warranties, conditions, representations or guarantees under any Sale of Goods Act or like legislation or statute is hereby expressly excluded. Save as herein provided, **Danby shall not be responsible for any damages to persons or property, including the unit itself, howsoever caused or any consequential damages arising from the malfunction of the unit and by the purchase of the unit, the purchaser does hereby agree to indemnify and hold harmless Danby from any claim for damages to persons or property caused by the unit.**

GENERAL PROVISIONS

No warranty or insurance herein contained or set out shall apply when damage or repair is caused by any of the following:

- 1) Power failure.
- 2) Damage in transit or when moving the appliance.
- 3) Improper power supply such as low voltage, defective house wiring or inadequate fuses.
- 4) Accident, alteration, abuse or misuse of the appliance such as inadequate air circulation in the room or abnormal operating conditions (ie. extremely high or low room temperature).
- 5) Use for commercial or industrial purposes (ie. If the appliance is not installed in a domestic residence).
- 6) Fire, water damage, theft, war, riot, hostility, acts of God such as hurricanes, floods etc.
- 7) Service calls resulting in customer education.
- 8) Improper Installation (ie. Building-in of a free standing appliance or using an appliance outdoors that is not approved for outdoor application, including but not limited to: garages, patios, porches or anywhere that is not properly insulated or climate controlled).

Proof of purchase date will be required for warranty claims; retain bills of sale. In the event that warranty service is required, present the proof of purchase to our authorized service depot.

**Warranty Service
In Home**

Danby Products Limited
PO Box 1778, Guelph, Ontario, Canada N1H 6Z9
Telephone: (519) 837-0920 FAX: (519) 837-0449

**1-844-455-6097
04/17**

Danby Products Inc.
PO Box 669, Findlay, Ohio, U.S.A. 45840
Telephone: (419) 425-8627 FAX: (419) 425-8629

Bienvenue

Bienvenue à la famille Silhouette. Nous sommes fiers de la qualité de nos produits et nous croyons en le service fiable. Nous vous suggérons de lire ce manuel d'utilisation avant de brancher votre nouvel appareil car il contient des informations importantes sur l'utilisation, la sécurité, le dépannage et la maintenance, afin d'assurer la fiabilité et la longévité de votre appareil.

Visitez www.SilhouetteAppliances.com pour accéder aux outils d'autoservice, aux FAQ et bien plus encore. Pour obtenir de l'aide supplémentaire, composez **1-844-455-6097**.

Notez les informations ci-dessous; Vous aurez besoin de cette information pour obtenir un service sous garantie.
Vous devez fournir le reçu d'achat original pour valider votre garantie et recevoir le service.

Numéro de modèle: _____

Numéro de serie: _____

Date d'achat: _____

Besoin d'assistance?

Avant d'appeler pour service, voici quelques choses que vous pouvez faire pour nous aider à mieux vous servir.

Lire ce manuel du propriétaire:

Il contient des instructions pour vous aider à utiliser et à maintenir votre appareil correctement.

Si vous recevez un appareil endommagé:

Contactez immédiatement le revendeur ou l'entrepreneur qui vous a vendu l'appareil.

Gagnez du temps et de l'argent:

Avant d'appeler pour service, consultez la section de dépannage à la fin de ce manuel. Cette section vous aidera à résoudre les problèmes courants pouvant survenir.



1-844-455-6097



Consignes de sécurité importantes

LIRE ET SUIVRE TOUTES LES INSTRUCTIONS DE SÉCURITÉ

EXIGENCES DE SÉCURITÉ

DANGER: Risque d'incendie ou d'explosion. Liquide frigorigène inflammable utilisé. Ne pas creuser les tubes de réfrigérant.

- N'utilisez pas de dispositifs mécaniques pour dégivrer le réfrigérateur.
- Assurez-vous que l'entretien est effectué par le personnel de service autorisé en usine, afin de minimiser les dommages sur les produits ou les questions de sécurité.

AVERTISSEMENT: Garder les ouvertures de ventilation, dans l'enceinte de l'appareil ou dans la structure intégrée, sans obstruction.

AVERTISSEMENT: N'utilisez pas de dispositifs mécaniques ou d'autres moyens pour accélérer le processus de dégivrage, autres que ceux recommandés par le fabricant.

AVERTISSEMENT: Ne pas endommager le circuit de réfrigérant.

AVERTISSEMENT: N'utilisez pas d'appareils électriques à l'intérieur des compartiments de stockage d'aliments de l'appareil, à moins qu'ils ne soient du type recommandé par le fabricant.

ATTENTION: Risque d'incendie ou d'explosion. Liquide frigorigène inflammable utilisé.

- Consultez le manuel de réparation ou le guide du propriétaire avant d'essayer de réparer ce produit. Toutes les précautions de sécurité doivent être respectées.
- Éliminer correctement conformément aux règlements fédéraux ou locaux.
- Suivez attentivement les instructions de manutention.

ATTENTION: Les enfants devraient être surveillés pour s'assurer qu'ils ne jouent pas avec l'appareil.

DANGER: Risque de piégeage des enfants. Avant de jeter un ancien appareil:

- Retirez la porte ou le couvercle.
- Laissez les étagères en place afin que les enfants ne puissent pas facilement monter à l'intérieur.

EXIGENCES DE SÉCURITÉ

Cet appareil n'est pas destiné à être utilisé par des personnes (y compris des enfants) dont les capacités physiques, sensorielles ou mentales peuvent être différentes ou réduites, ou qui n'ont pas d'expérience ou de connaissances, à moins que ces personnes ne reçoivent de supervision ou de formation pour faire fonctionner l'appareil par une personne responsable de leur sécurité.

INSTRUCTIONS DE MISE À LA TERRE

Cet appareil doit être mis à la terre. La mise à la terre réduit le risque de choc électrique en fournissant un fil d'échappement pour le courant électrique.

Cet appareil possède un cordon doté d'un fil de mise à la terre avec une fiche à 3 broches. Le cordon d'alimentation doit être branché sur une prise correctement mise à la terre. Si la sortie est une prise murale à 2 broches, elle doit être remplacée par une prise murale à 3 broches correctement mise à la terre. La plaque signalétique en série indique la tension et la fréquence auxquelles l'appareil est conçu.

AVERTISSEMENT - Une utilisation incorrecte de la fiche de mise à la terre peut entraîner un risque d'électrocution. Consultez un électricien qualifié ou un agent de service si les instructions de mise à la terre ne sont pas complètement comprises ou s'il existe un doute quant à savoir si l'appareil est correctement mis à la terre.

Ne branchez pas votre appareil à des rallonges ou avec un autre appareil dans la même prise murale. Ne pas épisser le cordon d'alimentation. Ne coupez ou retirez en aucun cas la troisième broche du cordon d'alimentation. N'utilisez pas de cordons de prolongement ou d'adaptateurs sans mise à la terre (deux broches).

Si le cordon d'alimentation est endommagé, il doit être remplacé par le fabricant, son agent de service ou une personne qualifiée similaire afin d'éviter tout risque.

GARDEZ CES INSTRUCTIONS!



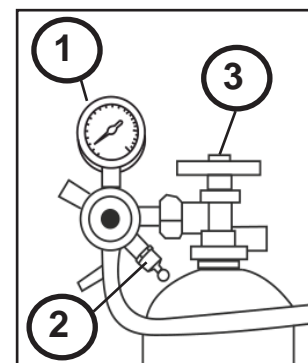
Informations importantes de sécurité LIRE ET SUIVRE TOUTES LES INSTRUCTIONS DE SÉCURITÉ

ATTENTION: LE CO₂ PEUT ÊTRE DANGEREUX!

Les cylindres de CO₂, lorsqu'ils sont chargés, contiennent des gaz comprimés à haute pression qui peuvent être dangereux s'ils ne sont pas manipulés correctement. Lire et comprendre les procédures suivantes pour les bouteilles de CO₂ avant l'installation:

1. Vérifiez toujours le D.O.T. (Ministère des Transports) ainsi que le T.C. (Transports Canada) date de test située sur le col du cylindre avant l'installation. Si la date est supérieure à cinq ans, n'utilisez pas! Retournez la bouteille de gaz à un fournisseur de gaz pour une nouvelle certification (des frais de service peuvent être applicables).
2. Toujours connecter une bouteille de gaz CO₂ à un régulateur. Le non-respect de cette consigne pourrait entraîner une explosion pouvant entraîner la mort ou des blessures lorsque la soupape du cylindre est ouverte.
3. Suivez toujours les procédures correctes lorsque les cylindres sont modifiés selon les codes locaux.
4. Toujours fixer une bouteille de gaz CO₂ dans une position "verticale".
5. Gardez toujours une bouteille de gaz CO₂ hors de la chaleur. Rangez des cylindres supplémentaires dans un endroit frais (de préférence 70°F/21°C ou moins).
6. Toujours ventiler et quitter la zone immédiatement après toute fuite de CO₂.
7. Ne jamais laisser tomber ni lancer une bouteille de CO₂.
8. Ne jamais connecter un fût sans au moins une pression de sécurité:
 - Un à ou sur le régulateur de CO₂.
 - Un à ou sur le coupleur de récipient de produit dans la conduite de gaz sous pression.

1. Cadran de manomètre
2. Anneau de surpression
3. Soupape d'ouverture / fermeture



Ensure the CO₂ tank is empty before courier or 3rd party transport.

DANGER - Un réservoir de CO₂ chargé est sous une pression extrême. La libération incontrôlée de pression est extrêmement dangereuse. Les instructions ci-dessous utilisent le régulateur pour contrôler la libération de cette pression de manière sûre. Ne pas contourner le régulateur.

1. Ouvrir la vanne en tournant dans le sens contraire des aiguilles d'une montre. Le cadran de la manomètre affichera une valeur si le réservoir contient de la pression.
2. Tirer l'anneau de soulagement de la pression. Les gaz dégagés devraient être entendus.
3. Continuez à maintenir le soulagement de pression ouvert jusqu'à ce que le réservoir soit vide et la molette de pression indique zéro.
4. Relâchez la bague de surpression.
5. Fermer la vanne en tournant dans le sens des aiguilles d'une montre.

CO₂ AVERTISSEMENT

S'il devient difficile de respirer ou que votre tête commence à souffrir, des concentrations anormales de dioxyde de carbone (CO₂) peuvent être présentes dans la région.

FERMER LA SOUPAPE SUR LE CYLINDRE DE CO₂, VENTILER ET CONDUIRE LA CHAMBRE IMMÉDIATEMENT!

AVERTISSEMENT IMPORTANT

La bière est facilement disponible avec Danby's Keg Cooler, mais elle n'est pas destinée aux personnes âgées de moins de 18 ans qui consomment de la bière. Danby n'assume aucune responsabilité pour l'utilisation illégale ou la consommation de la bière.

VEUILLEZ VOUS RESPONSABLES ET NE PAS BOIRE ET ENTRAÎNER!

GARDEZ CES INSTRUCTIONS!

INSTRUCTIONS D'INSTALLATION

EMPLACEMENT

- Deux personnes devraient être utilisées lors du déplacement de l'appareil.
- Retirer les emballages intérieurs et extérieurs avant l'installation. Essuyez l'extérieur de l'appareil avec un chiffon doux et sec et l'intérieur avec un chiffon humide tiède.
- Placez l'appareil sur un sol assez solide pour le supporter lorsqu'il est complètement chargé.
- Avant de connecter l'appareil à une source d'alimentation, laissez-le reposer pendant environ 6 heures. Cela réduira la possibilité d'un dysfonctionnement du système de refroidissement lors de la manipulation.
- Cet appareil a une largeur de 23,4 pouces (59,5 cm) de large par 38 pouces (96,5 cm) de haut (lorsqu'il est installé avec des pattes de nivellement et le garde-corps) de 27,6 pouces (70,6 cm) de profondeur. Assurez-vous que vous laissez l'espace minimum entre l'appareil et tous les murs et les événements environnants.
- Les roulettes sont incluses dans cet appareil. Si les roulettes sont installées, la hauteur augmente jusqu'à 39,9 pouces (101 cm).
- **AVERTISSEMENT:** Pour éviter tout risque dû à l'instabilité de l'appareil, il doit être réparé conformément aux instructions.
- Conservez les matières inflammables et les vapeurs telles que l'essence à l'écart de l'appareil. Utilisez uniquement un nettoyant non inflammable.
- Ne pas surcharger l'appareil.

LIMITES DE TEMPERATURE AMBIANTES

Ne pas installer cet appareil dans un endroit où la température tombera au-dessous de 41°F (5°C) ou s'élèvera à plus de 109°F (43°C).

Le fait de faire fonctionner l'appareil à une température ambiante trop froide peut provoquer l'extinction du compresseur pendant trop longtemps, provoquant la température interne, entraînant ainsi une perte de contenu.

Pour de meilleures performances, ne pas installer l'appareil derrière une porte d'armoire ou bloquer l'évent avant.

VENTILATION AVANT

Cet appareil est une respiration avant. Ne bloquez pas l'évent avant car cela entraînera des températures de fonctionnement élevées, une consommation d'énergie plus élevée et une éventuelle surchauffe et une panne du système.

INSTRUCTIONS DE NIVEAU

Il y a un pied réglable au bas de l'appareil qui peut être monté ou bas pour s'assurer que l'appareil est au niveau.

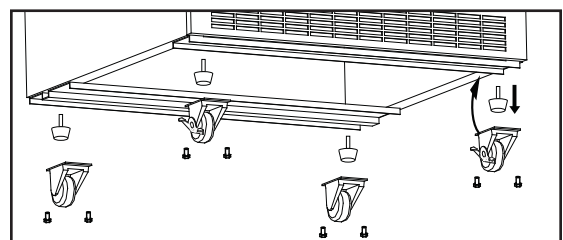
1. Tournez le pied de nivellement dans le sens inverse des aiguilles d'une montre aussi loin que possible, jusqu'à ce que le haut du pied touche le bas de l'armoire.
2. Tournez lentement le pied de nivellement dans le sens des aiguilles d'une montre jusqu'à ce que l'appareil soit à niveau.

INSTALLATION DES ROULETTES

Pour réduire le risque de blessures corporelles ou de dommages matériels, débranchez l'appareil et utilisez deux personnes pour compléter l'installation du lanceur.

1. Placez l'appareil sur son dos. Protégez le sol et l'arrière de l'appareil contre tout dommage en posant l'appareil sur une serviette ou une couverture.
2. Retirez les trois pieds solides. Dévissez le pied de nivellement. Gardez les pieds solides et le pied de nivellement dans un endroit sûr pour une utilisation future.
3. Installez les roulettes non verrouillables à l'arrière de l'appareil.
4. Installez les roulettes de blocage à l'avant de l'appareil.

Remarque: Une fois l'installation de la roulette terminée, l'appareil doit pouvoir rester debout pendant 6 heures avant de brancher pour éviter d'endommager les composants internes.



INSTRUCTIONS D'INSTALLATION

PRÉPARATION DE L'ENCEINTE

Des gants et des lunettes de sécurité devraient être portés lors de l'installation.

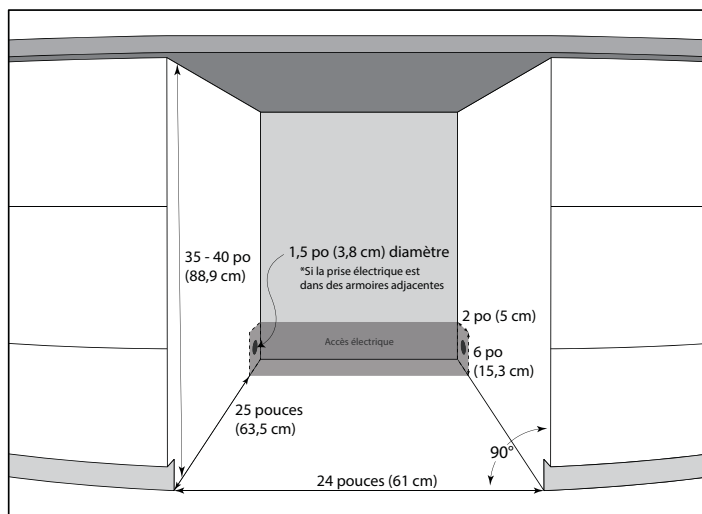
Si vous installez cet appareil dans une enceinte, assurez-vous que les roulettes, le garde-corps et le tiroir ne sont pas installés sur le dessus de l'appareil. Ces éléments créeront un obstacle pour l'installation ci-jointe.

L'ouverture de l'armoire doit avoir au moins 24 pouces (61 cm) de large par 35 pouces (88,9 cm) de hauteur par 25 pouces (63,5 cm) de profondeur.

Il n'est pas recommandé de construire l'appareil dans une enceinte avec les roulettes installées.

Remarque: L'exigence de profondeur indiquée suppose que la prise électrique est située dans les armoires adjacentes ou encastrées dans la paroi arrière, non montée en surface à l'intérieur de l'enceinte.

Si la prise électrique est située à l'intérieur des armoires adjacentes, couper un trou de 1,5 pouce (3,8 cm) de diamètre pour admirer le cordon d'alimentation. Si la paroi de l'armoire est en métal, le bord du trou doit être recouvert d'une douille ou d'un passe-fil.

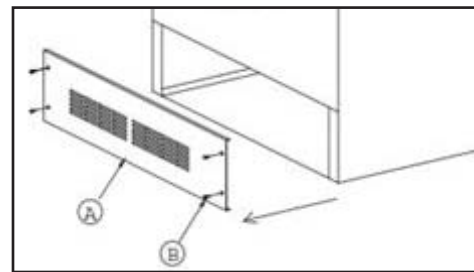


OUTILS REQUIS

- Lunettes de sécurité
- Gants
- Mètre à ruban
- Carré de charpentier
- Niveau
- Lampe de poche
- Foret électrique avec trou

DÉPOSE DU COUVERCLE DU COMPRESSEUR

Si l'appareil est intégré dans une enceinte, il faut d'abord retirer le couvercle du boîtier du compresseur. C'est pour permettre l'écoulement de l'air autour du compresseur afin qu'il ne dépasse pas la chaleur. Gardez le couvercle et les vis dans un endroit sûr afin qu'ils puissent être utilisés à nouveau à l'avenir si nécessaire.



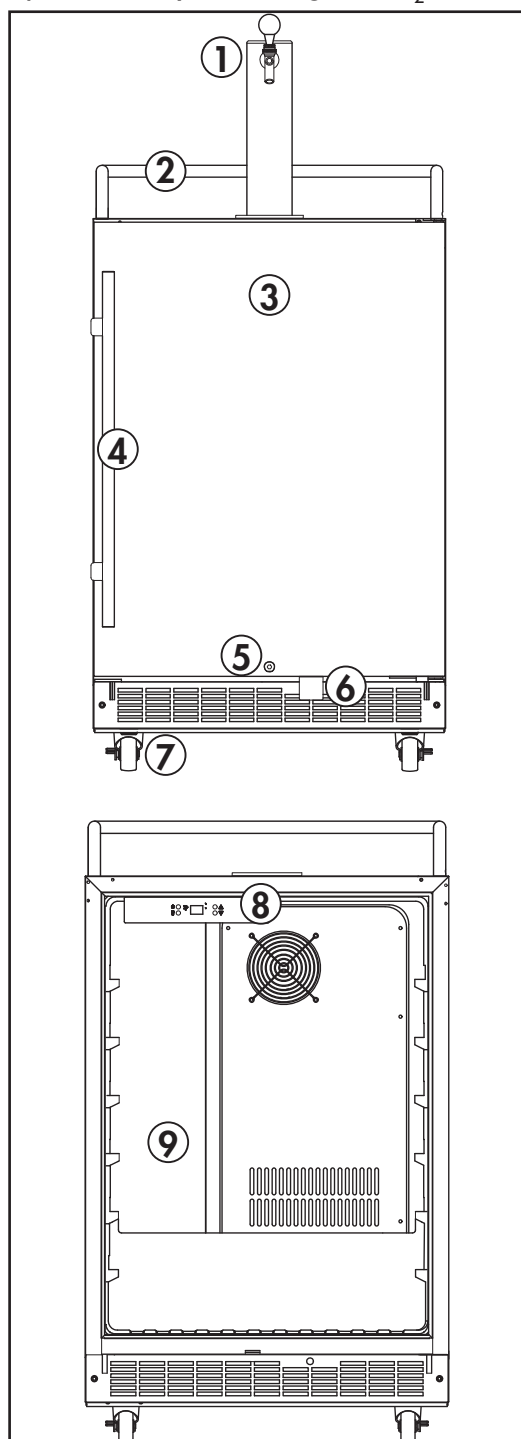
ACCESSOIRES

- Les accessoires suivants sont inclus :
- 1 garde-corps
- 1 bac d'égouttage
- 1 régulateur de CO₂
- 1 cylindre de CO₂ (vide)
- 1 tuyau de ligne d'air de gaz CO₂ (coloré)
- 1 Tuyau de ligne de bière (clair)
- 1 coupleur de barillet de bière (American Sankey uniquement)
- 1 tour de robinet
- 1 poignée de traction (pour robinet de tour de bière)
- 4 fiches en plastique (pour les trous du rail de garde)
- 1 plaque métallique pour le fond de l'armoire
- 1 pince en acier pour tuyau de couleur
- 4 roulettes (2 avec serrures et 2 sans)
- 4 pattes de nivellement (préinstallées)

INSTRUCTIONS D'INSTALLATION

CARACTÉRISTIQUES

1. Tour du robinet
2. Rail de garde
3. Porte isolée en acier inoxydable
4. Poignée de porte à barre de serviette en acier inoxydable
5. Verrou
6. Actionneur de porte
7. Roulettes / pied de nivellement
8. Écran électronique et lumière LED blanche
9. Compartiment cylindre à gaz CO₂



INSTRUCTIONS D'ASSEMBLAGE

Installation du cylindre de CO₂, du régulateur et de la ligne aérienne

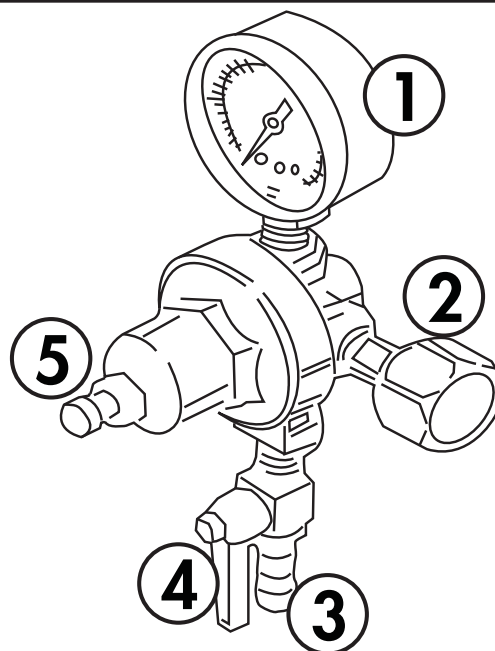
Le cylindre de CO₂ n'est pas rempli. Le cylindre doit être rempli de CO₂ avant utilisation.

Fixez le régulateur de CO₂ au cylindre en tournant l'écrou du régulateur sur la vanne de la bouteille, en vous assurant que la rondelle est bien insérée dans l'écrou de raccordement. Serrez le crampon à l'aide d'une clé à molette (non fournie) et assurez-vous qu'il n'y a pas de fuites, c'est-à-dire qu'il n'y a pas de sifflement lorsque le CO₂ est allumé.

Fixez l'extrémité ouverte du tuyau de ligne d'air coloré à la connexion de la gaine du tuyau sur le régulateur. Fixez le tuyau en utilisant la pince fournie. Utilisez une pince ou un tournevis pour serrer la pince pour éviter les fuites.

Placez la bouteille de CO₂ dans le compartiment du cylindre à l'intérieur de l'armoire réfrigérée.

Composants du régulateur CO₂



1. Jauge de pression
2. Écrou de régulateur (raccord de cylindre de CO₂)
3. Raccord barb (raccord de tuyau d'air)
4. Vanne d'arrêt CO₂ (affiché en position ouverte)
5. Vis de réglage CO₂ PSI

INSTRUCTIONS D'INSTALLATION

Installation de la tour de robinet

Retirez la fiche du haut de l'armoire du réfrigérateur en vous tordant et en tirant. Enregistrez la fiche pour une utilisation ultérieure.

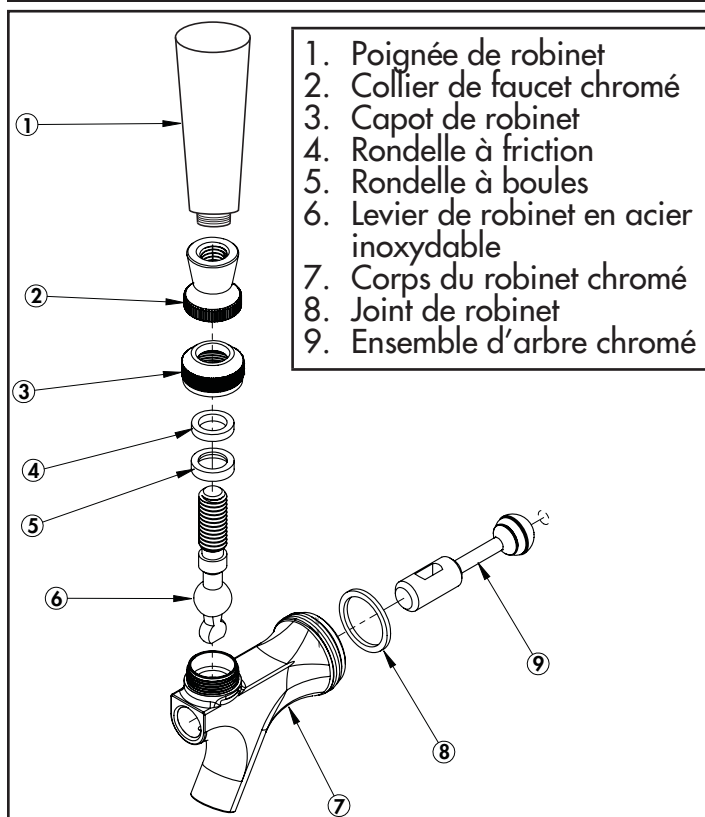
Desserrez la ligne de la bière (tuyau transparent) de la tour du robinet et insérez la ligne de la bière et l'écrou à l'oreille à travers le trou découvert sur le dessus de l'appareil.

Verrouillez l'ensemble de la tour de bière sur le dessus de l'appareil et assurez-vous de positionner le robinet de bière de sorte qu'il soit aligné avec l'avant de l'armoire.

Le joint en caoutchouc peut être utilisé pour rendre la connexion entre la tour et le refroidisseur plus serré si nécessaire. Si la tour de bière ne tourne pas sur le verrouillage, essayez de retirer le joint d'étanchéité en caoutchouc. Le joint en caoutchouc peut ne pas être nécessaire dans toutes les configurations de l'unité.

Si le robinet de la tour est en fuite ou si la bière est très mousseuse, assurez-vous que les rondelles à l'intérieur du robinet sont intactes. Remplacer les rondelles avec des pièces de rechange du sac d'accessoires, si nécessaire.

Composants de robinet



Installation de plaque métallique de protection

La plaque métallique de protection doit être installée au bas de l'intérieur de l'armoire. Cette plaque doit toujours être installée lorsqu'un fût est en place pour protéger le sol de l'armoire contre les dommages.

Installation de le fût de bière

Placez le fût de bière directement devant la porte ouverte. À l'aide des barres de fût, soulevez avec précaution le fût de bière. Soulevez le devant du fût juste assez pour que l'extrémité avant du fût repose sur le bord avant de l'armoire inférieure du faneur. Saisissez les poignées du fût et faites glisser le fût dans le coffre.

Note: Deux personnes devraient soulever le fût pour éviter une blessure au dos.

Raccordement de la ligne d'air au coupleur

Fixez le tuyau de la ligne de l'air (couleur) au raccord du tuyau sur le côté du coupleur. Assurez-vous que le clapet anti-retour est inséré dans la connexion, numéro 4 sur l'image ci-dessous.

Si, après l'assemblage, la bière ne coule pas, assurez-vous que le clapet anti-retour comporte un petit trou. S'il n'y a pas de trou dans le clapet anti-retour, le CO₂ ne peut pas entrer dans la ligne et la bière ne coule pas.

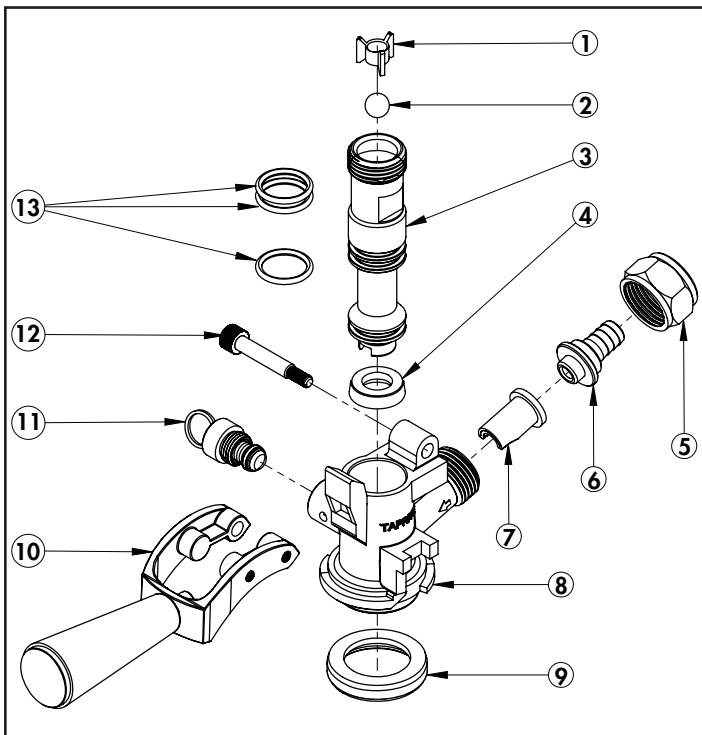
Raccordement du tour de bière au coupleur

Assurez-vous que toutes les rondelles sont correctement insérées dans le coupleur. Assurez-vous que la tige de plastique de la bobine de soupape est en place à l'intérieur du coupleur. Placez l'écrou d'aile fixé à la fin de la ligne de bière dans le haut du coupleur, en tournant jusqu'à ce qu'il soit serré.

Si, après l'assemblage, la bière est très mousseuse, cela signifie probablement qu'une connexion dans le coupleur est en fuite et que l'air pénètre dans les lignes. Vérifiez toutes les connexions du coupleur et remplacez les rondelles du sac d'accessoires si nécessaire.

INSTRUCTIONS D'INSTALLATION

Composants du coupleur



1. Attelage à bille
2. Boule de couplage en nylon
3. Sonde nickelée
4. Sceau de sonde
5. Écrou hexagonal
6. Pièce de queue
7. Vanne de retenue
8. Corps du coupleur
9. Joint d'étanchéité
10. Assemblage de poignée
11. Ensemble de soulagement de pression
12. Poignée de charnière
13. Joints toriques

Remarque: Le coupleur fourni avec l'appareil est un coupleur American Sankey standard qui devrait s'adapter à tous les fûts domestiques.

Si vous utilisez un fût importé ou non standard, il sera nécessaire d'acheter un coupleur qui peut contenir le fût.

Comment exploiter un fût de bière

Assurez-vous que le CO₂ est éteint et que la vanne du régulateur est en position fermée.

Retirez et relâchez la soupape de dégagement de pression du coupleur pour purger toute pression d'air.

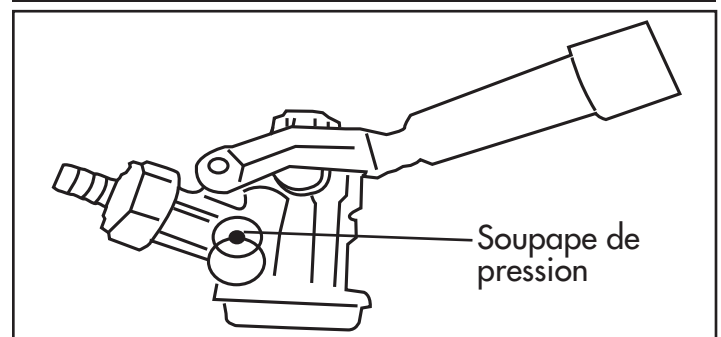
Assurez-vous que le robinet de la tour de bière est en position fermée.

Insérez le coupleur de fût dans le col de verrouillage du fût de bière et tournez-le dans le sens des aiguilles d'une montre pour le verrouiller en position, en vous assurant que le fût est en position fermée, avec la poignée vers le haut.

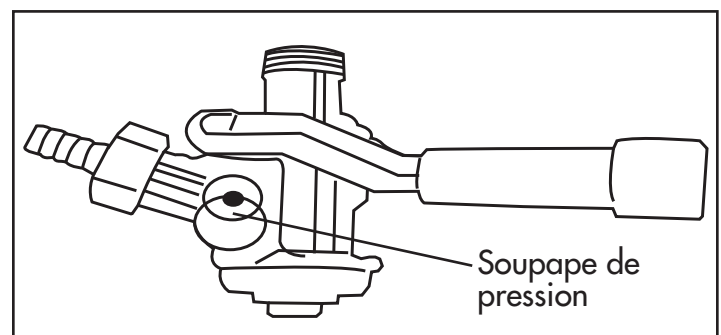
Tirez la poignée du coupleur vers le bas jusqu'à ce qu'elle se verrouille dans sa position ouverte. Les dents sur le dessous du coupleur mordront dans le coin de verrouillage du fût de bière.

Remarque: Si un fût est très grand, il peut être nécessaire de connecter le coupleur au fût avant d'insérer le fût dans le refroidisseur de fût.

Position fermée du coupleur



Position ouverte du coupleur



INSTRUCTIONS D'INSTALLATION

Ouverture de la soupape principale du cylindre de CO₂

Pour commencer le flux de CO₂, tourner la vanne sur le dessus du cylindre CO₂. Le manomètre sur le régulateur commencera à grimper.

Tournez la soupape d'arrêt du CO₂ sur le régulateur en position ouverte pour permettre au CO₂ de parcourir la ligne d'air et dans le coupleur.

Réglage du régulateur de CO₂

Le manomètre surveille la pression d'air à l'intérieur des lignes et doit être réglé pour lire entre 8-12 PSI.

La pression peut être ajustée à tout moment, au besoin. Si la bière est très mousseuse, essayez de mettre le PSI en panne. Si le flux de bière est très faible, essayez de mettre le PSI en place.

Après avoir effectué un ajustement sur le PSI, attendez 5-10 minutes avant de tenter de verser une autre bière pour permettre l'égalisation de la pression à l'intérieur des lignes.

- Pour augmenter le PSI, tournez la vis de réglage dans le sens des aiguilles d'une montre.
- Pour diminuer le PSI, tournez la vis de réglage dans le sens inverse des aiguilles d'une montre.

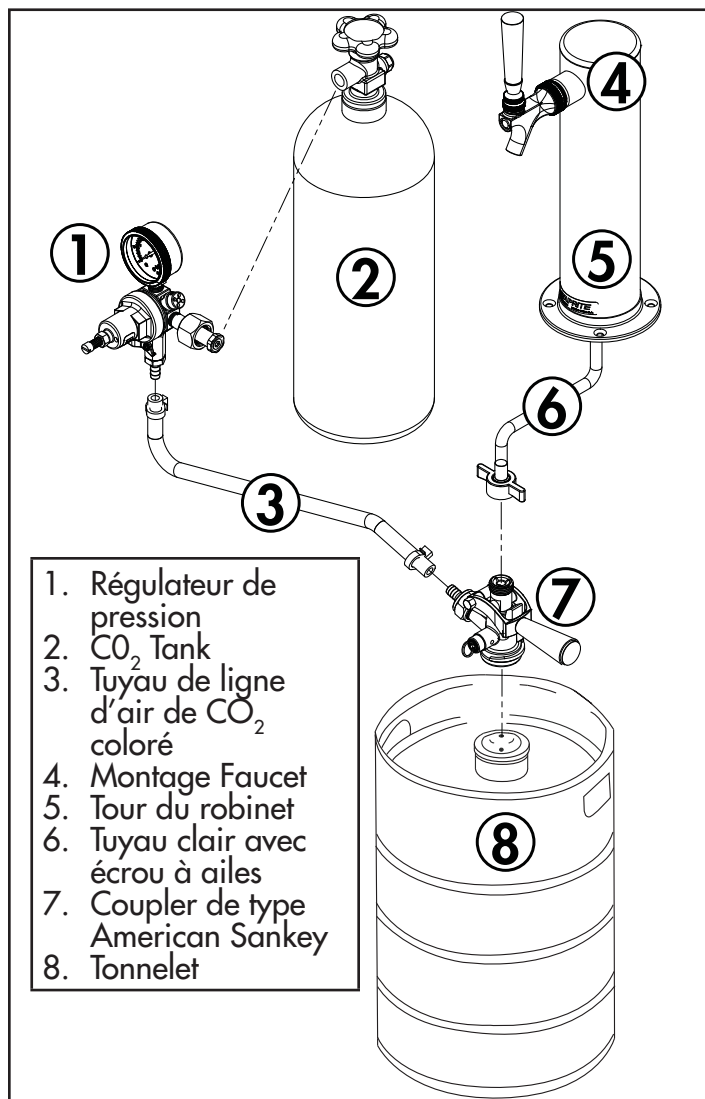
Vérification des connexions pour les fuites

Les points de connexion faibles peuvent permettre l'évasion de CO₂ ou permettre l'entrée d'air dans le système, ce qui peut provoquer un écoulement faible de la bière ou une bière excessivement mousseuse.

Les connexions fuyantes peuvent parfois être identifiées par sifflement aux points de connexion. Ils peuvent également être identifiés par la pulvérisation d'eau sur le point de connexion et la surveillance des bulles.

Si un point de connexion fuyant est trouvé, il doit être rectifié avant d'essayer d'utiliser le système à nouveau. Éteignez le flux de CO₂ et remplacez les joints ou les rondelles dans les points de raccordement. Serrez tous les écrous avec une clé. Testez le système à nouveau avant d'utiliser pour vous assurer que tous les points de connexion sont sécurisés.

Assemblée finie



CONVERSION EN RÉFRIGÉRATEUR

Cet appareil peut être converti en réfrigérateur si désiré.

1. Débranchez et retirez le fût, le coupleur, le régulateur et le cylindre CO₂ de l'armoire réfrigérée.
2. Retirez la tour du robinet, les rails de protection et le bac d'égouttage du haut de l'armoire du réfrigérateur.
3. Remplacez le couvercle pour l'ouverture sur le dessus de l'armoire du réfrigérateur.
4. Installez les étagères métalliques fournies dans l'armoire du réfrigérateur.
5. Réglez le panneau de commande à la température désirée. Laissez l'appareil rester vide pendant au moins deux heures avant de le ranger avec des aliments ou des boissons pour vous assurer qu'il atteint la température désirée.

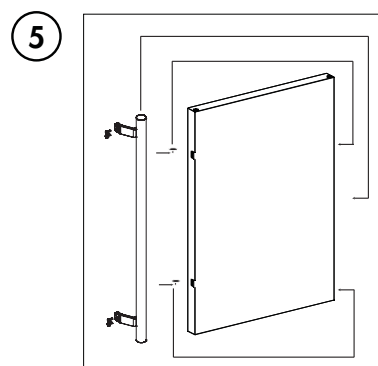
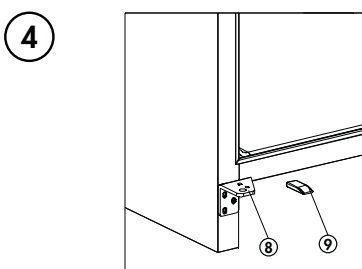
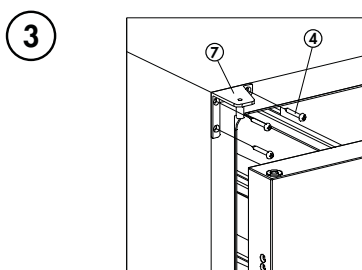
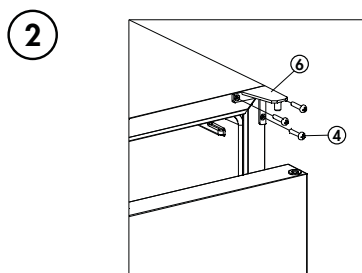
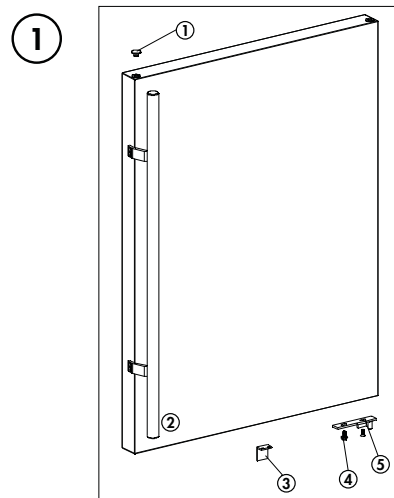
INSTRUCTIONS D'INSTALLATION

INSTRUCTIONS D'INVERSION DE PORTE

Si l'appareil est placé à l'arrière ou au côté pendant un certain temps pendant ce processus, il doit pouvoir rester debout pendant 6 heures avant de le brancher pour éviter d'endommager les composants internes.

1. Ouvrez la porte à un angle de 90 ° et retirez les deux vis de l'axe de la porte. Faites glisser le bas de la porte vers l'extérieur pour l'enlever du châssis. Retirez le couvercle du trou de charnière du côté supérieur gauche de la porte et installez-le sur le côté droit.
2. Retirez la charnière supérieure droite.
3. Retirez les couvercles des trous de vis du haut à gauche de l'armoire et installez la charnière supérieure droite. Mettez les couvercles des trous de vis dans les trous de vis sur le côté droit de l'armoire.
4. La charnière inférieure gauche est pré-installée sur l'armoire. Retirez le support de la porte de la charnière inférieure gauche et installez la charnière inférieure droite.
5. Installez la porte sur la charnière supérieure gauche et fixez la porte à la charnière inférieure gauche à l'aide de l'axe de la porte. Avant de serrer les vis, assurez-vous que le haut de la porte est au niveau du haut de l'armoire, que l'actionneur entre en contact avec l'interrupteur d'éclairage au bas de l'armoire et que le joint en caoutchouc obtient un bon joint avec l'armoire tout le chemin autour.
6. Déplacez la poignée de porte du côté gauche de la porte vers le côté droit.

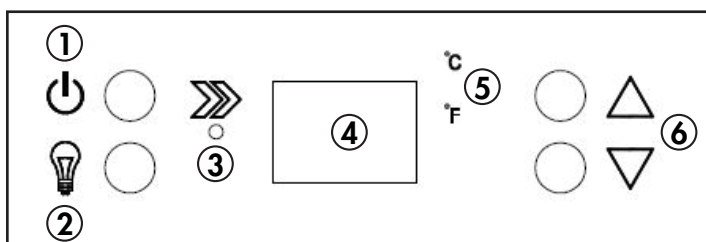
- | |
|---|
| <ol style="list-style-type: none">1. Couvercle de charnière2. Poignée de porte3. Actuateur4. Des vis5. Axe de la porte6. Charnière supérieure droite7. Charnière supérieure gauche8. Charnière inférieure gauche9. Support de porte |
|---|



INSTRUCTIONS D'UTILISATION

PANNEAU DE CONTRÔLE

- Bouton d'alimentation:** Maintenez ce bouton enfoncé pendant 3 secondes pour allumer ou éteindre l'appareil.
- Bouton lumière**
- Lumière de puissance:** L'indicateur s'allume pour indiquer que le mode de refroidissement est actuellement en fonctionnement.
- Affichage de la température:** Indique la température réglée.
- °C / °F:** La lumière indicatrice indique quelle échelle de température est actuellement affichée.
- Boutons haut et bas:** Utilisé pour augmenter ou diminuer la température réglée par incréments de 1°.



DISTRIBUTION DE BIÈRE

- Gardez le fût de bière réfrigéré en tout temps.
- Tenez le verre à un angle de 45°, lorsqu'il est 2/3 plein, commencez à redresser le verre lorsqu'il se remplit.
- Assurez-vous toujours que la poignée du robinet est complètement enfoncée avant de retirer le verre.
- Le compartiment réfrigérateur ne peut pas accueillir le fût de barillet biseauté style "Coors".
- Ce refroidisseur de fût accepte des fûts domestiques jusqu'à 17 pouces (43 cm) de diamètre et jusqu'à 23,3 pouces (59,2 cm) de hauteur. Vérifiez avec le distributeur pour vous assurer que le fût est la taille correcte.
- Il est important de permettre au fût de s'asseoir debout et sans déranger pendant 2 heures avant de taper pour éviter de mousser excessivement.

Tailles qui peuvent être utilisées dans le refroidisseur de fût

Taille	Litres	Gallons	# 12 oz. verres
1/2 baril	59	15.5	163
1/4 baril	30	7.8	82
1/6 baril	20	5.2	60
1/8 baril	15	4.0	41

INSTRUCTIONS DE FONCTION

La température par défaut est de 43°F (6°C). L'échelle de température par défaut est °F.

Pour changer l'affichage entre °F et °C, appuyez simultanément sur les boutons de température supérieure et inférieure pendant environ 3-5 secondes.

La température peut être réglée aussi bas que 36°F (2°C) ou jusqu'à 50°F (10°C).

La température réelle à l'intérieur de l'appareil peut varier en fonction de la température ambiante, à quelle fréquence la porte est ouverte et combien de bouteilles chaudes ont récemment été ajoutées à l'appareil.

Chaque dépression des boutons Haut et Bas règle la température par incréments de 1°.

Alarme de porte ouverte: Si la porte n'est pas complètement fermée pendant 5 minutes, une alarme retentit. Fermez la porte pour faire taire l'alarme.

Si la porte est fermée et que l'alarme continue à sonner, vérifiez que l'actionneur au bas de la porte contacte le commutateur de l'appareil.

Mémoire de température: Si l'appareil perd de l'énergie, le panneau de commande se souviendra de la température réglée. Une fois que l'alimentation est rétablie, l'appareil revient au fonctionnement normal automatiquement.

Alarme de température: Si la température de l'armoire intérieure est supérieure à 23°C (73°F) pendant une heure, le code d'erreur "HI" s'affiche sur le panneau d'affichage et une alarme retentit.

Si la température de l'armoire intérieure est inférieure à 28°F (-2°C), le code d'erreur "LO" s'affiche sur le panneau d'affichage et une alarme retentit.

Si la température de l'armoire intérieure reste à 28°F (-2°C) pendant plus de 30 minutes, le code d'erreur "CL" s'affiche sur le panneau d'affichage et une sonnerie retentit. L'appareil cesse de fonctionner pour éviter le gel du gel.

Lumière intérieure: La lumière intérieure s'allume et s'éteint lorsque la porte est ouverte ou fermée.

Appuyez une fois sur le bouton lumineux pour éteindre la lumière lorsque la porte est ouverte. La lumière reprendra le fonctionnement par défaut lorsque la porte est fermée.

NETTOYAGE DE L'APPAREIL

Assurez-vous que l'appareil est débranché avant de le nettoyer.

- Pour nettoyer l'intérieur de l'appareil, utilisez un chiffon doux et une solution d'une cuillère à soupe de bicarbonate de soude à un litre d'eau ou à une solution de savon doux ou à un détergent doux.
- Nettoyez l'extérieur avec un chiffon doux et humide et un détergent doux.
- Il est important de garder la zone propre où la porte se joint à l'armoire. Nettoyez cette zone avec un chiffon savonneux. Rincez avec un chiffon humide et laissez sécher.

Remarque: N'utilisez pas de nettoyeurs contenant de l'ammoniac ou de l'alcool sur l'appareil. L'ammoniac ou l'alcool peuvent endommager l'apparence de l'appareil. N'utilisez jamais de produits de nettoyage commerciaux ou abrasifs ou d'objets tranchants sur une partie quelconque de l'appareil.

NETTOYAGE DE LA LIGNE DE LA BIÈRE ET ROBINET

Les lignes de bière devraient être nettoyées périodiquement pour éliminer la teneur en sucre cristallisé qui se forme, communément appelée "beerstore". Si le "beerstore" n'est pas complètement supprimé, il laissera une surface insalubre qui peut abriter des microorganismes qui provoqueront une saveur indésirable ou provoqueront une chute de la bière. Un «cerveau» suffisant entraînera également des problèmes de distribution allant de la bière «sauvage» (trop de mousse) à la bière plate, quel que soit le taux de carbonatation ou l'âge de la bière dans le fût.

La ligne de la bière doit être nettoyée environ une fois toutes les trois semaines ou tout autre fût, qui vient d'abord. Le robinet doit être nettoyé chaque semaine ou avant chaque utilisation si elle n'est pas utilisée régulièrement.

Pour nettoyer la ligne de bière et le robinet, les séparer et les laisser tremper dans de l'eau chaude pendant au moins dix minutes. Rincer abondamment et laisser sécher avant de remonter l'appareil. Ne pas utiliser de savon dans la ligne de bière ou le robinet car cela peut affecter la saveur de la bière.

Remarque: Si la poignée du robinet est difficile à déplacer, cela indique généralement qu'il faut nettoyer. N'appliquez pas de force pour déplacer la poignée dans cette situation car cela peut endommager la poignée ou le robinet et ne sera pas couvert par la garantie.

CODES D'ERREUR

Si les codes d'erreur "HI", "LO" ou "CL" apparaissent sur l'écran pendant plus de 5 minutes, une réinitialisation de l'alimentation peut corriger le problème. Débranchez l'appareil, attendez 5 minutes, puis rallumez l'appareil. Si le code d'erreur persiste après une remise à zéro, contactez le consommateur ou un agent de service agréé.

DÉGIVRER

Cet appareil est équipé d'une fonction de dégivrage automatique et ne nécessite pas de dégivrage manuel. Le dégivrage de l'eau de l'appareil est canalisé dans un bac d'égouttage situé au-dessus du compresseur. Le transfert de chaleur du compresseur provoque l'évaporation de l'eau de dégivrage.

VACANCES

- **Vacances courtes:** Laissez l'appareil fonctionner pendant les vacances de moins de trois semaines.
- **Vacances longues:** Si l'appareil ne sera pas utilisé pendant plusieurs mois, retirez tous les éléments et éteignez l'appareil. Nettoyer et sécher complètement l'intérieur. Pour éviter l'odeur et la croissance des moisissures, laissez la porte légèrement ouverte, en l'obstruant si nécessaire.

DÉMÉNAGER

- Retirez tout le contenu.
- Tournez le pied de nivellement pour éviter d'endommager.
- Tapez la porte fermée.
- Assurez-vous que l'appareil reste en position verticale pendant le transport. Protégez l'extérieur de l'appareil avec une couverture.
- Si l'appareil est placé sur son dos ou sur son côté pendant le transport, après avoir atteint la destination, laissez-le rester debout pendant 6 heures avant de le brancher pour éviter d'endommager les composants internes.

DISPOSITION

Cet appareil ne doit pas être considéré comme un ordures ménagères, il doit être pris au point approprié de collecte des déchets pour le recyclage des composants électriques. Pour plus d'informations sur les points locaux de collecte des déchets, contactez votre agence locale d'élimination des déchets ou votre bureau gouvernemental.

DÉPANNAGE

Silhouette soins du consommateur: 1-844-455-6097

Heures d'ouverture:

Lundi à Jeudi 8 h 30 à 18 h, heure normale de l'Est

Vendredi de 8 h 30 à 16 h, heure normale de l'Est

Les informations contenues dans ce manuel sont sujettes à modification sans préavis.

PROBLEME	CAUSE POSSIBLE
Aucune puissance	<ul style="list-style-type: none">• Un fusible peut être soufflé ou le disjoncteur a déclenché• Branchement pas complètement inséré dans la prise murale
La température interne n'est pas assez froide L'appareil fonctionne en continu	<ul style="list-style-type: none">• La porte n'est pas fermée correctement ou a été ouverte excessivement• L'évier d'échappement est obstrué• La température ambiante ou l'humidité est très élevée• Possible fuite du système, panne du ventilateur de l'évaporateur ou panne du compresseur
Sonde d'alarme et "HI" sur l'écran	
Sonde d'alarme et "LO" ou "CL" sur l'écran d'affichage	<ul style="list-style-type: none">• La température ambiante est trop faible• Défaillance du capteur
Mousse de bière excessive	<ul style="list-style-type: none">• Assurez-vous que le tuyau de la ligne de bière de la tour et le tuyau de la ligne d'air CO₂ du régulateur de CO₂ sont fixés aux connexions correctes du coupleur; ligne de bière vers le haut du coupleur, ligne d'air CO₂ sur le côté du coupleur• Vérifiez qu'il n'y a pas de fuites dans les connexions• Assurez-vous que la soupape de retenue dans la connexion de CO₂ du coupleur comporte un trou• La pression de CO₂ peut être trop élevée; essayez de faire baisser la pression• Assurez-vous que la tige de plastique de la bobine de soupape est insérée dans le coupleur
Faible débit de bière	<ul style="list-style-type: none">• Assurez-vous que le tuyau de la ligne de bière de la tour et le tuyau de la ligne d'air CO₂ du régulateur de CO₂ sont fixés aux connexions correctes du coupleur; ligne de bière vers le haut du coupleur, ligne d'air CO₂ sur le côté du coupleur• Vérifiez qu'il n'y a pas de fuites dans les connexions• Assurez-vous que la soupape de retenue dans la connexion de CO₂ du coupleur comporte un trou• La pression du CO₂ peut être trop basse; essayez de tourner la pression vers le haut• Assurez-vous qu'il n'y a pas de pli ou de pli dans les tuyaux qui pourraient entraver le débit

Silhouette

GARANTIE LIMITÉE "À DOMICILE"

Cet appareil de qualité est garanti exempt de tout vice de matière première et de fabrication, s'il est utilisé dans les conditions normales recommandées par le fabricant.

Cette garantie n'est offerte qu'à l'acheteur initial de l'appareil vendu par Danby Products Limited (Canada) ou Danby Products Inc. (E.-U.A.) (ci-après « Danby ») ou par l'un des ses distributeurs agréés et elle ne peut être transférée.

CONDITIONS

Les pièces en plastique sont garanties pendant trente (30) jours seulement à partir de la date de l'achat, sans aucune prolongation prévue.

Premiers 24 mois Pendant les premiers **vingt quatre (24) mois**, toutes les pièces fonctionnelles de ce produit qui s'avèrent défectueuses seront réparées ou remplacées, selon le choix du garant, sans frais à l'acheteur initial.

Pour bénéficiaire du service S'adresser au détaillant qui a vendu l'appareil, ou à la station technique agréée de service la plus proche, où les réparations doivent être effectuées par un technicien qualifié. Si les réparations sont effectuées par quiconque autre que la station de service agréée ou à des fins commerciales, toutes les obligations de Danby en vertu de cette garantie seront annulées.

Limites de l'entretien à domicile Danby se réserve le droit de limiter les limites de "Service au domicile" à proximité d'un dépôt de service agréé. Tout appareil nécessitant un service en dehors des limites de "Service à domicile" sera la responsabilité du consommateur de transporter l'appareil à leur propres frais le point d'achat original ou un dépôt de service pour réparation. Si l'appareil est installé à plus de **100 kilomètres (62 milles)** du centre de service le plus proche, il doit être livré à l'atelier de réparation autorisé par Danby le plus proche, car l'entretien doit uniquement être réalisé par un technicien qualifié et certifié pour effectuer un entretien couvert par la garantie de Danby.

Les frais de transport entre votre domicile et le lieu de l'entretien ne sont pas couverts par la présente garantie et doivent être acquittés par l'acheteur.

Aucune partie de la garantie ne prévoit implicitement que le fabricant sera tenu responsable des dommages subis par les aliments ou d'autres types de contenu, qu'ils soient causés par la défectuosité de l'appareil ou par son usage adéquat ou inadéquat.

EXCLUSIONS

En vertu de la présente, il n'existe aucune autre garantie, condition ou représentation, qu'elle soit exprimée ou tacite, de façon manifeste ou intentionnelle, par Danby ou ses distributeurs agréés. De même, sont exclues toutes les autres garanties, conditions ou représentations, y compris les garanties, conditions ou représentations en vertu de toute loi régissant la vente de produits ou de toute autre législation ou règlement semblables. En vertu de la présente, Danby ne peut être tenue responsable en cas de blessures corporelles ou des dégâts matériels, y compris à l'appareil, quelle qu'en soit la cause. Danby ne peut pas être tenue responsable des dommages indirects dus au fonctionnement défectueux de l'appareil. En achetant l'appareil, l'acheteur accepte de mettre à couvert et de dégager Danby de toute responsabilité en cas de réclamation pour toute blessure corporelle ou tout dégât matériel causé par cet appareil.

CONDITIONS GÉNÉRALES

La garantie ou assurance ci-dessus ne s'applique pas si les dégâts ou réparations sont dus aux cas suivants:

- 1) Panne de courant.
- 2) Dommages subis pendant le transport ou le déplacement de l'appareil.
- 3) Alimentation électrique incorrecte (tension faible, câblage défectueux, fusibles incorrects).
- 4) Accident, modification, emploi abusif ou incorrect de l'appareil tel qu'une circulation d'air inadéquate dans la pièce ou des conditions de fonctionnement anormales (température extrêmement élevée ou basse).
- 5) Utilisation dans un but commercial ou industriel (à savoir, si l'appareil n'est pas installé dans un domicile résidentiel).
- 6) Incendie, dommages causés par l'eau, vol, guerre, émeute, hostilités, cas de force majeure (ouragan, inondation, etc.).
- 7) Visites d'un technicien pour expliquer le fonctionnement de l'appareil au propriétaire.
- 8) Installation inappropriée (par exemple, encastrement d'un appareil autoportant, ou utilisation extérieure d'un appareil non conçu à cet effet, y compris, mais sans s'y limiter: les garages, les patios, les porches ou ailleurs qui ne sont pas correctement isolés ou climatisés).

La preuve de la date d'achat sera requise pour les réclamations de garantie; Conserver les factures de vente. Dans le cas où un service de garantie est requis, présentez la preuve d'achat à notre dépôt de service agréé.

Service sous garantie

Service au domicile

Danby Products Limited
PO Box 1778, Guelph, Ontario, Canada N1H 6Z9
Téléphone : (519) 837-0920 Télécopieur: (519) 837-0449

1-844-455-6097

04/17

Danby Products Inc.
PO Box 669, Findlay, Ohio, U.S.A. 45840
Téléphone: (419) 425-8627 Télécopieur: (419) 425-8629

Bienvenido

Bienvenido a la familia Silhouette. Estamos orgullosos de nuestros productos de calidad y creemos en un servicio confiable. Sugerimos que lea este manual del propietario antes de conectar el nuevo aparato ya que contiene información importante sobre la operación, información de seguridad, solución de problemas y consejos de mantenimiento para garantizar la fiabilidad y longevidad de su electrodoméstico.

Visite www.SilhouetteAppliances.com para acceder a herramientas de autoservicio, preguntas frecuentes y mucho más. Para asistencia adicional, llame al **1-844-455-6097**

Tenga en cuenta la información siguiente; Necesitará esta información para obtener un servicio bajo garantía.

Debe proporcionar el recibo de compra original para validar su garantía y recibir servicio.

Número de modelo: _____

Número de serie: _____

Fecha de compra: _____

Necesitas ayuda?

Antes de llamar al servicio, aquí hay algunas cosas que puede hacer para ayudarnos a servirle mejor.

Lea este manual del propietario:

Contiene instrucciones para ayudarlo a usar y mantener su aparato correctamente.

Si recibe un aparato dañado:

Inmediatamente póngase en contacto con el minorista o el constructor que le vendió el aparato.

Ahorre tiempo y dinero:

Consulte la sección de solución de problemas al final de este manual antes de llamar. Esta sección le ayudará a resolver problemas comunes que pueden ocurrir.



1-844-455-6097



Importantes Instrucciones de Seguridad

LEA Y SIGA TODAS LAS INSTRUCCIONES DE SEGURIDAD

REQUERIMIENTOS DE SEGURIDAD

PELIGRO: Riesgo de incendio o explosión. Refrigerante inflamable usado. No perforar la tubería del refrigerante.

- No utilice dispositivos mecánicos para descongelar el refrigerador.
- Asegúrese de que el personal de mantenimiento autorizado por la fábrica haga el mantenimiento para minimizar los daños o problemas de seguridad del producto.

ADVERTENCIA: Mantenga las aberturas de ventilación, en la caja del aparato o en la estructura incorporada, sin obstrucción.

ADVERTENCIA: No utilice dispositivos mecánicos u otros medios para acelerar el proceso de descongelación, distintos de los recomendados por el fabricante.

ADVERTENCIA: No dañar el circuito refrigerante.

ADVERTENCIA: No utilice electrodomésticos dentro de los compartimentos de almacenamiento de alimentos del aparato, a menos que sean del tipo recomendado por el fabricante.

PRECAUCIÓN: Riesgo de incendio o explosión. Refrigerante inflamable usado.

- Consulte el manual de reparación o la guía del propietario antes de intentar reparar este producto. Todas las precauciones de seguridad deben ser seguidas.
- Deseche adecuadamente de acuerdo con las regulaciones federales o locales.
- Siga cuidadosamente las instrucciones de manipulación.

PRECAUCIÓN: Los niños deben ser supervisados para asegurarse de que no juegan con el aparato.

PELIGRO: Riesgo de atrapamiento de niños. Antes de tirar un electrodoméstico viejo:

- Retire la puerta o la tapa.
- Deje los estantes en su lugar para que los niños no puedan subir fácilmente dentro.

REQUERIMIENTOS DE SEGURIDAD

Este aparato no está diseñado para ser usado por personas (incluyendo niños) cuyas capacidades físicas, sensoriales o mentales pueden ser diferentes o reducir, o que carecen de experiencia o conocimiento, a menos que dichas personas reciban supervisión o entrenamiento para operar el aparato por una persona responsable de su la seguridad.

INSTRUCCIONES DE CONEXION A TIERRA

Este aparato debe estar conectado a tierra. La puesta a tierra reduce el riesgo de descarga eléctrica proporcionando un cable de escape para la corriente eléctrica.

Este aparato tiene un cable que tiene un cable de conexión a tierra con un enchufe de 3 clavijas. El cable de alimentación debe estar enchufado en un tomacorriente que esté debidamente conectado a tierra. Si el tomacorriente es un enchufe de pared de 2 terminales, debe ser reemplazado por un tomacorriente de pared de 3 clavijas debidamente conectado a tierra. La placa de características en serie indica el voltaje y la frecuencia que el aparato está diseñado para.

ADVERTENCIA - El uso incorrecto del enchufe de conexión a tierra puede resultar en un riesgo de descarga eléctrica. Consulte a un electricista calificado o agente de servicio si las instrucciones de conexión a tierra no se entienden completamente o si existe duda sobre si el aparato está debidamente conectado a tierra.

No conecte el aparato a los cables de extensión ni con otro aparato en la misma toma de corriente. No empalme el cable de alimentación. No corte ni extraiga en ningún caso la tercera clavija de tierra del cable de alimentación. No utilice cables de extensión ni adaptadores sin conexión a tierra (dos clavijas).

Si el cable de alimentación está dañado, debe ser reemplazado por el fabricante, su agente de servicio o persona calificada similar para evitar riesgos.

¡GUARDE ESTAS INSTRUCCIONES!



Importantes Instrucciones de Seguridad

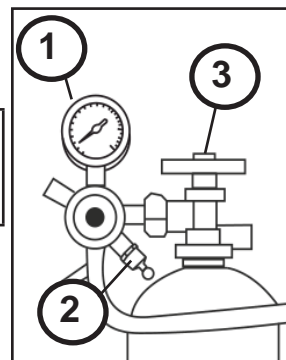
LEA Y SIGA TODAS LAS INSTRUCCIONES DE SEGURIDAD

ADVERTENCIA: ¡EL CO₂ PUEDE SER PELIGROSO!

Cilindros de CO₂, cuando están cargados, contienen gas comprimido de alta presión que puede ser peligroso si no se maneja adecuadamente. Lea y comprenda los siguientes procedimientos para los cilindros de CO₂ antes de la instalación:

1. Compruebe siempre el D.O.T. (Departamento de Transporte), así como el T.C. (Transporte Canadá) fecha de la prueba situada en el cuello del cilindro antes de la instalación. ¡Si la fecha es más vieja que cinco años, no utilice! Devuelva el cilindro de gas a un proveedor de gas para la recertificación (pueden ser aplicables cargos de servicio).
2. Conecte siempre un cilindro de gas CO₂ a un regulador. De lo contrario, podría producirse una explosión que podría ocasionar la muerte o lesiones al abrir la válvula del cilindro.
3. Siga siempre los procedimientos correctos cuando cambie los cilindros según los códigos locales.
4. Siempre asegure un cilindro de gas CO₂ en una posición "vertical".
5. Mantenga siempre un cilindro de gas CO₂ alejado del calor. Guarde los cilindros adicionales en un lugar fresco (preferiblemente 70°F/21°C o menos).
6. Siempre ventilar y dejar el área inmediatamente después de cualquier fuga de CO₂.
7. Nunca deje caer ni arroje un cilindro de CO₂.
8. Nunca conecte un barril sin al menos una liberación de presión de seguridad:
 - Uno en o sobre el regulador de CO₂.
 - Uno en o sobre el acoplador del recipiente del producto en la línea de gas a presión.

1. Indicador del manómetro
2. Anillo de alivio de presión
3. Abrir/cerrar la válvula



Asegúrese de que el tanque de CO₂ esté vacío antes del transporte por mensajería o por terceros.

PELIGRO - Un tanque de CO₂ cargado está bajo presión extrema. La liberación incontrolada de presión es extremadamente peligrosa. Las instrucciones a continuación utilizan el regulador para controlar la liberación de esta presión de una manera segura. No elimine el regulador.

1. Abra la válvula girándola hacia la izquierda. El indicador del manómetro mostrará un valor si el tanque contiene presión.
2. Tire del anillo de alivio de presión. Se debe oír el gas liberado.
3. Continúe manteniendo el alivio de presión abierto hasta que el tanque esté vacío y el dial de presión marque cero.
4. Suelte el anillo de alivio de presión.
5. Cierre la válvula girando en el sentido de las agujas del reloj.

ADVERTENCIA DE CO₂

Si le resulta difícil respirar o su cabeza comienza a doler, concentraciones anormales de dióxido de carbono (CO₂) pueden estar presentes en el área.

¡CERRAR LA VÁLVULA EN EL CILINDRO DE CO₂, VENTILAR Y DEJAR LA SALA INMEDIATAMENTE!

ADVERTENCIA IMPORTANTE

La cerveza es fácilmente disponible con Danby's Keg Cooler, sin embargo, no está pensado para estar disponible para personas menores de la edad legal para consumir cerveza. Danby no asume ninguna responsabilidad por el uso o consumo ilegal de la cerveza.

¡POR FAVOR BEBA RESPONSABLEMENTE Y NO BEBE Y CONDUZCA!

¡GUARDE ESTAS INSTRUCCIONES!

INSTRUCCIONES DE INSTALACIÓN

UBICACIÓN

- Se deben utilizar dos personas al mover el aparato.
- Retire el embalaje interior y exterior antes de la instalación. Limpie el exterior del aparato con un paño suave y seco y el interior con un paño húmedo tibio.
- Coloque el electrodoméstico sobre un suelo que sea lo suficientemente fuerte como para soportarlo cuando esté completamente cargado.
- Antes de conectar el aparato a una fuente de alimentación, déjelo en posición vertical durante aproximadamente 6 horas. Esto reducirá la posibilidad de un malfuncionamiento en el sistema de enfriamiento debido a la manipulación durante el transporte.
- Este aparato tiene 59.5 cm de ancho por 38 pulgadas (96.5 cm) de alto (cuando está instalado con patas de nivelación y barandilla) por 27.8 pulgadas (70.6 cm) de profundidad. Asegúrese de dejar un espacio mínimo entre el aparato y todas las paredes y aberturas.
- Se incluyen ruedas con este aparato. Si las ruedas están instaladas, la altura aumenta a 39.9 pulgadas (101.4 cm).
- **ADVERTENCIA:** Para evitar el riesgo debido a la inestabilidad del aparato, debe fijarse de acuerdo con las instrucciones.
- Mantenga el material y los vapores inflamables como la gasolina lejos del aparato. Utilice únicamente limpiadores no inflamables.
- No sobrecargue el aparato.

LÍMITES DE TEMPERATURA AMBIENTE

No instale este aparato en un lugar donde la temperatura caiga por debajo de los 41°F (5°C) o por encima de los 109°F (43°C).

El funcionamiento del aparato en una temperatura ambiente demasiado fría puede provocar que el compresor se apague durante demasiado tiempo, causando la temperatura interna, lo que puede provocar la pérdida de contenido.

Para un mejor rendimiento, no instale el aparato detrás de una puerta del armario ni bloquee el respiradero frontal.

RESPIRADERO FRONTAL

Este aparato es la respiración delantera. No bloquee el respiradero de aire delantero, ya que esto resultará en altas temperaturas de funcionamiento, mayor consumo de energía y posible sobrecalentamiento y fallo del sistema.

LEVELING INSTRUCTIONS

Hay un pie ajustable en la parte inferior del aparato que se puede subir o bajar para asegurarse de que el aparato esté nivelado.

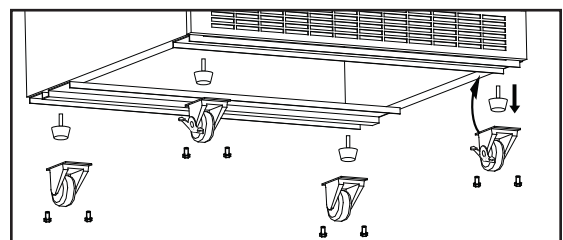
1. Gire el pie de nivelación en el sentido contrario al de las agujas del reloj hasta que la parte superior del pie toque la parte inferior del armario.
2. Gire lentamente el pie de nivelación en el sentido de las agujas del reloj hasta que el aparato esté nivelado.

INSTALACIÓN DE LAS RUEDAS

Para reducir el riesgo de lesiones personales o daños materiales, desenchufe el aparato y utilice dos personas para completar la instalación del rodillo.

1. Coloque el aparato sobre su espalda. Proteger el suelo y la parte trasera del aparato de daños causados por la colocación del aparato sobre una toalla o una manta.
2. Quite los tres pies sólidos. Desenrosque el pie nivelador. Mantenga los pies sólidos y el pie nivelador en un lugar seguro para uso futuro.
3. Instale las ruedas sin bloqueo en la parte posterior del aparato.
4. Instale las ruedas de bloqueo en la parte frontal del aparato.

Nota: Una vez completada la instalación de la máquina, se debe permitir que el aparato se mantenga erguido durante 6 horas antes de enchufarlo para evitar daños en los componentes internos.



INSTRUCCIONES DE INSTALACIÓN

PREPARACIÓN DEL RECINTO

Deben usarse guantes y gafas de seguridad durante la instalación.

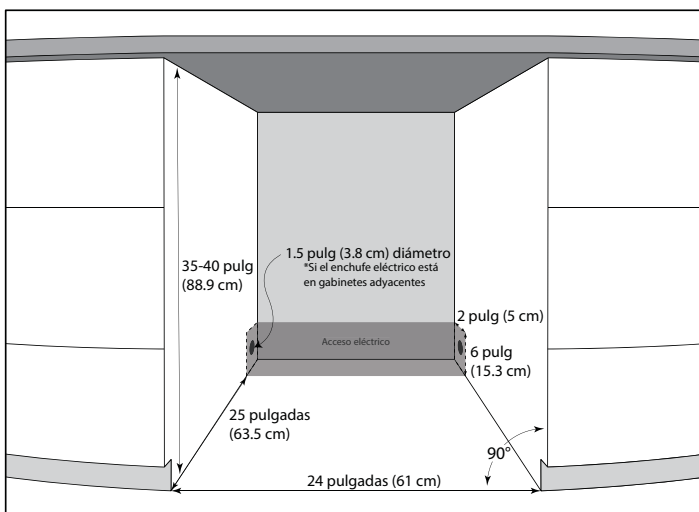
Si instala este aparato en un armario, asegúrese de que las ruedas, el riel de seguridad y la bandeja de goteo no estén instalados en la parte superior del aparato. Estos elementos crearán un obstáculo para la instalación cerrada.

La abertura del gabinete debe tener al menos 24 pulgadas (61 cm) de ancho por 35 pulgadas (88,9 cm) de alto por 25 pulgadas (63,5 cm) de profundidad.

No se recomienda construir el aparato en un armario con las ruedas instaladas.

Nota: El requisito de profundidad indicado es suponer que la toma eléctrica se encuentra en el gabinete adyacente o montada enrasada en la pared posterior, no montada en superficie dentro del recinto.

Si el tomacorriente se encuentra dentro de gabinetes adyacentes, corte un orificio de 1.5 pulgadas (3.8 cm) de diámetro para admitir el cable de alimentación. Si la pared del gabinete es metálica, el borde del agujero debe estar cubierto con un casquillo o arandela.

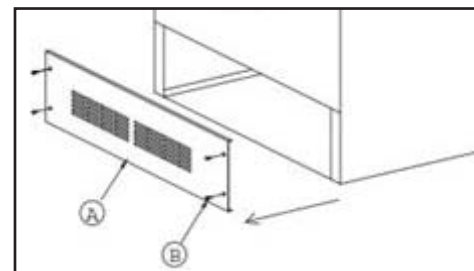


HERRAMIENTAS REQUERIDAS

- Gafas protectoras
- Guantes
- Cinta métrica
- Cuadrado de carpintero
- Nivel
- Linterna eléctrica
- Taladro eléctrico con agujero

EXTRACCIÓN DE LA CUBIERTA DEL COMPRESOR

Si el aparato se instala en un recinto, primero debe quitarse la cubierta de la caja del compresor. Esto es para permitir que el flujo de aire alrededor del compresor para que no sobre el calor. Mantenga la cubierta y los tornillos en un lugar seguro para que puedan ser utilizados de nuevo en el futuro si es necesario.



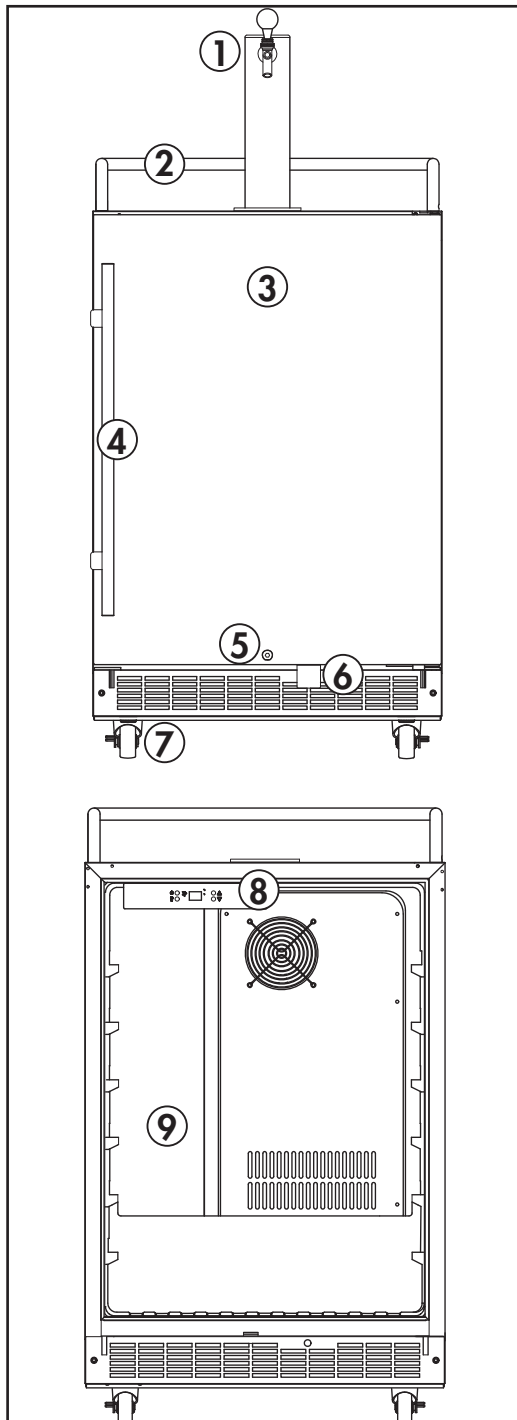
ACCESORIOS

- Los siguientes accesorios están incluidos:
 - 1 barandilla
 - 1 bandeja de goteo
 - 1 regulador de CO₂
 - 1 cilindro de CO₂ (vacío)
 - 1 CO₂ gas línea de aire Manguera (color)
 - 1 línea de cerveza manguera (claro)
 - 1 acoplador de barril de cerveza (American Sankey only)
 - 1 torre del grifo
 - 1 manija del tirador (para el grifo de la torre de cerveza)
 - 4 tapones de plástico (para orificios de los carriles de seguridad)
 - 1 placa de metal para el fondo del gabinete
 - 1 abrazadera de acero para manguera de color
 - 4 ruedas (2 con cerraduras y 2 sin)
 - 4 patas niveladoras (preinstaladas)

INSTRUCCIONES DE INSTALACIÓN

CARACTERÍSTICAS

1. Torre del grifo
2. Carril de guardia
3. Puerta de acero inoxidable aislada
4. Mango de la puerta de la barra de la toalla del acero inoxidable
5. Cerradura de la puerta
6. Actuador de puerta
7. Ruedas/pie de nivelación
8. Exhibición electrónica y luz blanca del LED
9. Compartimiento del cilindro de gas CO₂



INSTRUCCIONES DE MONTAJE

Instalación de Cilindro, Regulador y Línea de Aire de CO₂

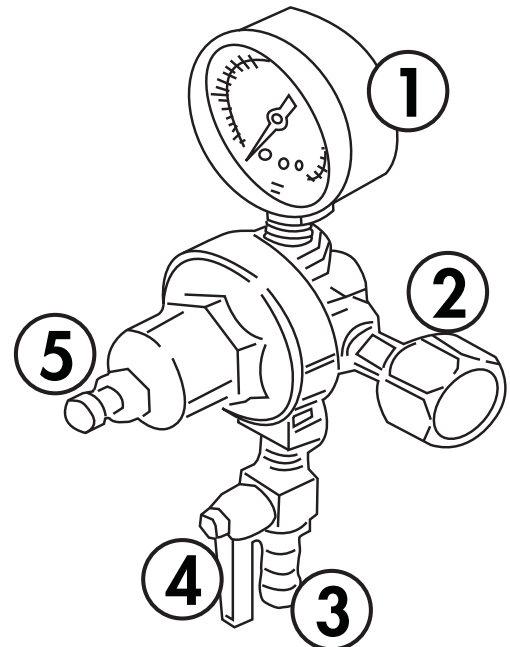
El cilindro de CO₂ no viene lleno. El cilindro debe estar lleno de CO₂ antes de su uso.

Conecte el regulador de CO₂ al cilindro girando la tuerca del regulador en la válvula del cilindro, asegurándose de que la arandela esté bien insertada en la tuerca de conexión. Apriete bien con una llave ajustable (no suministrada) y asegúrese de que no hay fugas, es decir, no se oye silbido cuando el CO₂ se enciende.

Conecte el extremo abierto de la manguera de la línea de aire coloreada a la conexión de la lengüeta de la manguera en el regulador. Asegure la manguera usando la abrazadera suministrada. Utilice un alicata o un destornillador para apretar la abrazadera para evitar fugas.

Coloque el cilindro de CO₂ en el compartimiento del cilindro dentro del gabinete del refrigerador.

CO₂ Componentes del regulador



1. Manómetro
2. Tuerca del regulador (conexión cilindro CO₂)
3. Conexión barb (conexión de la manguera de la línea de aire)
4. Válvula de cierre de CO₂ (Mostrado en la posición abierta)
5. Tornillo de ajuste CO₂ PSI

INSTRUCCIONES DE INSTALACIÓN

Instalación de torre de grifo

Quite el enchufe de la parte superior del gabinete del refrigerador girando y sacando. Guarde el enchufe para su uso posterior.

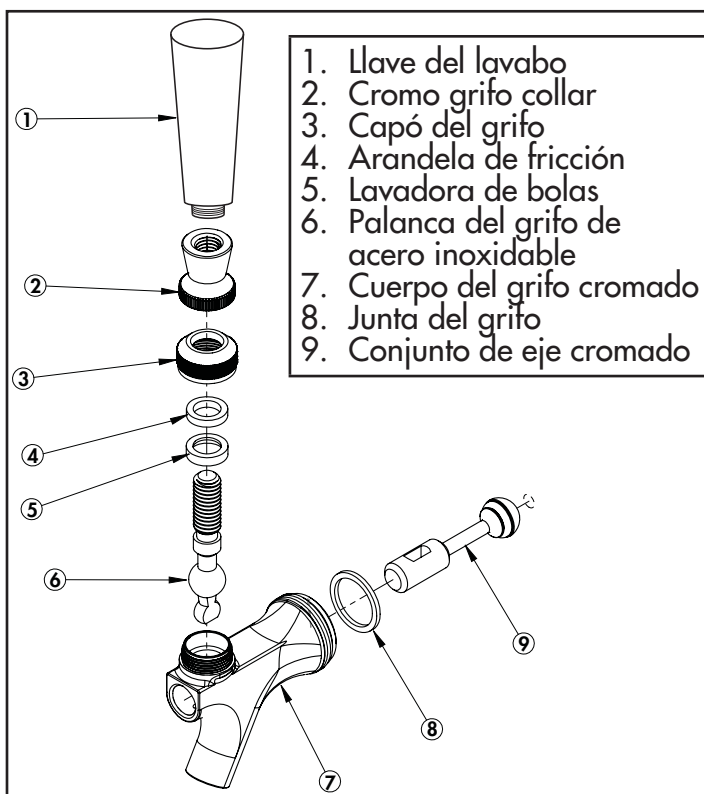
Desenrolle la línea de cerveza (manguera transparente) de la torre del grifo e inserte la línea de cerveza y la tuerca de mariposa a través del orificio descubierto en la parte superior del aparato.

Bloquee el conjunto de la torre de cerveza en la parte superior del aparato y asegúrese de colocar el grifo de la cerveza para que esté alineado con la parte frontal del gabinete.

La junta de goma se puede utilizar para hacer la conexión entre la torre y el enfriador más apretado si es necesario. Si la torre de cerveza no gira para bloquear en su lugar, trate de quitar la junta de goma. La junta de goma puede no ser necesaria en todas las configuraciones de la unidad.

Si el grifo de la torre tiene fugas o si la cerveza es muy espumosa, asegúrese de que las arandelas dentro del grifo estén intactas. Reemplace las arandelas con piezas de repuesto de la bolsa de accesorios, si es necesario.

Componentes de la torre del grifo



Instalación de placas de metal protector

La placa metálica protectora debe instalarse en la parte inferior del interior del gabinete. Esta placa siempre debe instalarse cuando hay un barril en su lugar para proteger el piso del gabinete contra daños.

Instalación del barril de cerveza

Coloque el barril de cerveza directamente en frente de la puerta abierta. Usando solamente asas de barril, levante con cuidado el barril de cerveza. Levante la parte delantera del barril lo suficiente para que el extremo delantero del barril se apoye en el borde delantero del gabinete inferior del enfriador del barril. Sujete las asas del barril y deslice el barril hasta el interior del gabinete.

Nota: Dos personas deben levantar el barril para evitar lesiones en la espalda.

Conexión de la línea de aire al acoplador

Conecte el extremo de la manguera de línea de aire (coloreada) a la conexión de manguera en el lado del acoplador. Asegúrese de que la válvula de retención se inserta en la conexión, número 4 en la imagen de abajo.

Si, después del montaje, la cerveza no fluye, asegúrese de que la válvula de retención tiene un pequeño agujero en ella. Si no hay agujero en la válvula de retención entonces el CO₂ no puede entrar en la línea y la cerveza no fluirá.

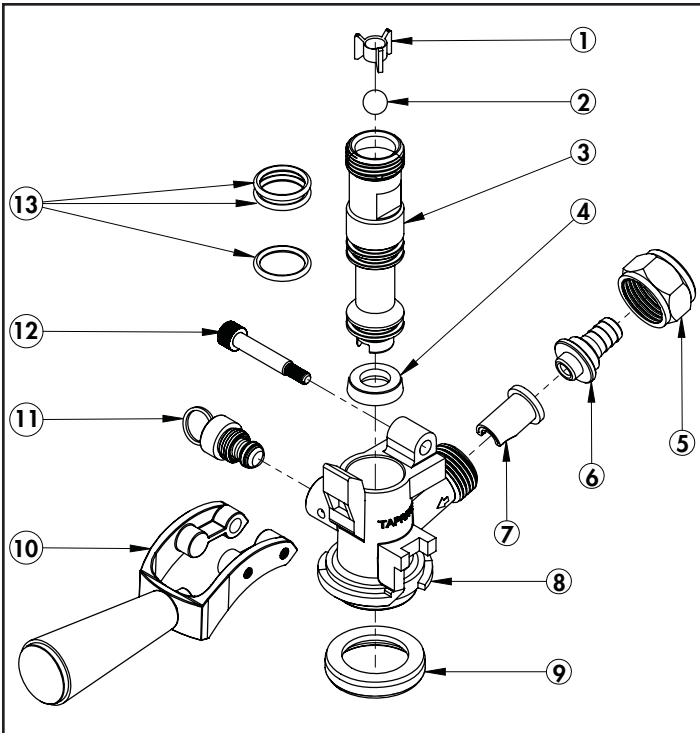
Conexión de la torre de cerveza al acoplador

Asegúrese de que todas las arandelas estén correctamente insertadas en el acoplador. Asegúrese de que la varilla de plástico del carrete de la válvula esté colocada dentro del acoplador. Coloque la tuerca de mariposa unida al extremo de la línea de cerveza en la parte superior del acoplador, girando hasta que quede apretada.

Si, después del montaje, la cerveza es muy espumosa, lo más probable es que una conexión en el acoplador esté goteando y el aire esté entrando en las líneas. Verifique todas las conexiones en el acoplador y reemplace las arandelas de la bolsa de accesorios, según sea necesario.

INSTRUCCIONES DE INSTALACIÓN

Componentes del acoplador



1. Retenedor de bolas
2. Bola de acoplamiento de nylon
3. Sonda niquelada
4. Sello de sonda
5. Tuerca hexagonal
6. Pieza de cola
7. La válvula de retención
8. Cuerpo acoplador
9. Junta del acoplador
10. Conjunto de asa
11. Conjunto de alivio de presión
12. Pasador de la bisagra de la manija
13. Anillos tóricos

Nota: El acoplador incluido con el aparato es un acoplador americano estándar de Sankey que debe caber todos los barriles domésticos.

Si utiliza un barril importado o no estándar, será necesario comprar un acoplador que pueda caber en el barril.

Cómo servir un barril de cerveza

Asegúrese de que el CO₂ esté apagado y la válvula del regulador esté en la posición cerrada.

Tire hacia afuera y suelte la válvula de liberación de presión en el acoplador para purgar cualquier presión de aire.

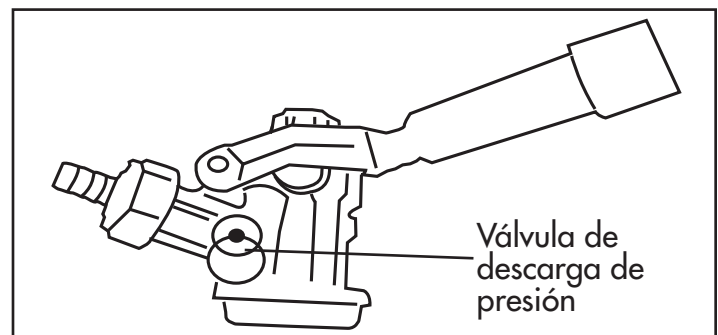
Asegúrese de que el mango del grifo de la torre de cerveza esté en la posición cerrada.

Inserte el acoplador del barril en el cuello de bloqueo del barril de cerveza y gírelo en el sentido de las agujas del reloj para asegurarlo en su posición, asegurándose de que el mango del acoplador del barril esté en la posición cerrada, con la manija hacia arriba.

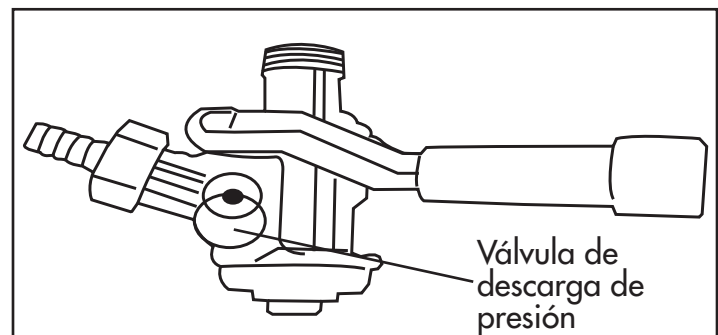
Tire de la manija del acoplador hacia afuera y hacia abajo hasta que encaje en su posición abierta. Los dientes en la parte inferior del acoplador se muerden en el cuello de bloqueo del barril de cerveza.

Nota: Si un barril es muy alto, puede ser necesario conectar el acoplador al barril antes de insertar el barril en el enfriador del barril.

Posición cerrada del acoplador



Posición abierta del acoplador



INSTRUCCIONES DE INSTALACIÓN

Apertura de la válvula principal del cilindro de CO₂

Para comenzar el flujo de CO₂, gire la válvula en la parte superior del cilindro CO₂. El manómetro del regulador comenzará a subir.

Gire la válvula de cierre de CO₂ en el regulador a la posición abierta para permitir que el CO₂ viaje a través de la línea de aire y en el acoplador.

Ajuste del regulador de CO₂

El medidor de presión monitorea la presión de aire dentro de las líneas y se debe ajustar para leer entre 8-12 PSI.

La presión se puede ajustar en cualquier momento, según sea necesario. Si la cerveza es muy espumosa, intente girar la PSI hacia abajo. Si el flujo de cerveza es muy débil, intente girar la PSI hacia arriba.

Después de hacer cualquier ajuste a la PSI, espere 5-10 minutos antes de intentar verter otra cerveza para permitir que la presión dentro de las líneas para igualar.

- Para aumentar el PSI, gire el tornillo de ajuste en el sentido de las agujas del reloj.
- Para disminuir el PSI, gire el tornillo de ajuste en sentido antihorario.

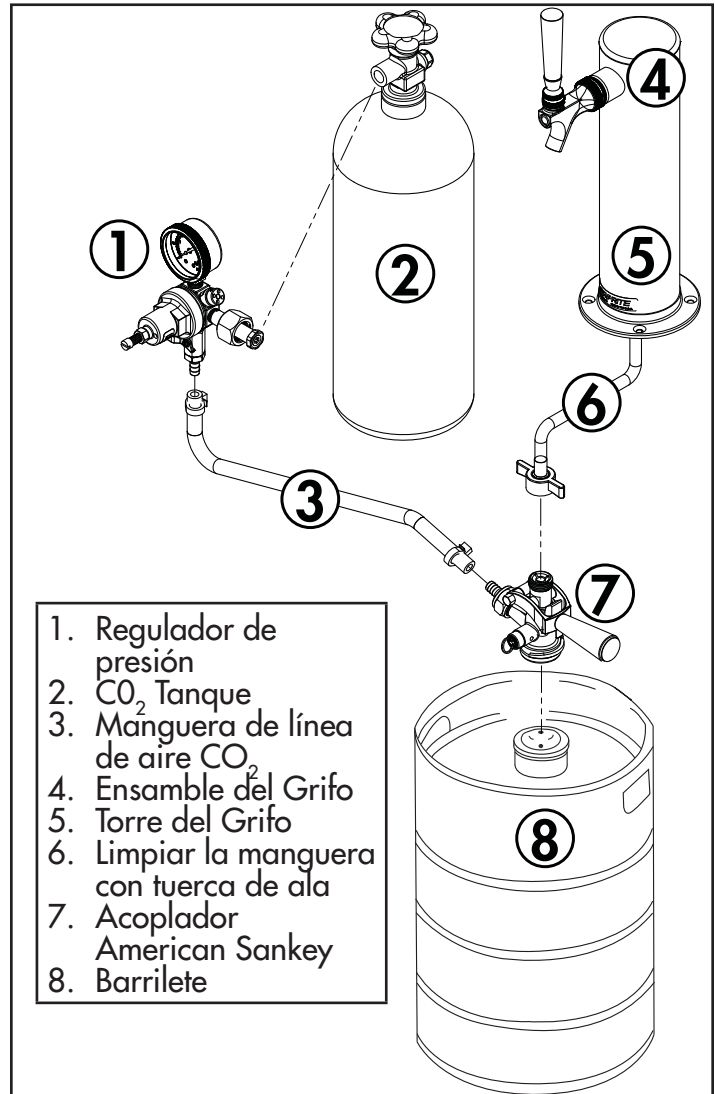
Comprobación de conexiones para fugas

Puntos de conexión débiles pueden permitir el escape de CO₂ o permitir que el aire en el sistema, lo cual puede causar un flujo de cerveza débil o cerveza excesivamente espumosa.

Las conexiones que se escapan a veces se pueden identificar silbando en los puntos de conexión. También se pueden identificar pulverizando agua en el punto de conexión y observando cómo se forman las burbujas.

Si se encuentra un punto de conexión con fugas, debe rectificarse antes de intentar volver a utilizar el sistema. Apague el flujo de CO₂ y reemplace cualquier junta o arandela en los puntos de conexión. Apriete todas las tuercas con una llave. Pruebe el sistema otra vez antes de usarlo para asegurarse de que todos los puntos de conexión estén seguros.

Ensamblaje completado



CONVERTIR A UN REFRIGERADOR

Este aparato se puede convertir en un refrigerador si lo desea.

1. Desconecte y retire el barril, el acoplador, el regulador y el cilindro de CO₂ del gabinete del refrigerador.
2. Retire la torre del grifo, los rieles de protección y la bandeja de goteo de la parte superior del gabinete del refrigerador.
3. Vuelva a colocar la cubierta para la abertura en la parte superior del gabinete del refrigerador.
4. Instale los estantes de alambre suministrados en el gabinete del refrigerador.
5. Ajuste el panel de control a la temperatura deseada. Deje que el aparato permanezca vacío durante un mínimo de dos horas antes de almacenar alimentos o bebidas para asegurar que alcanza la temperatura deseada.

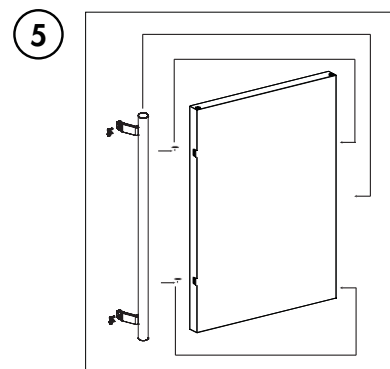
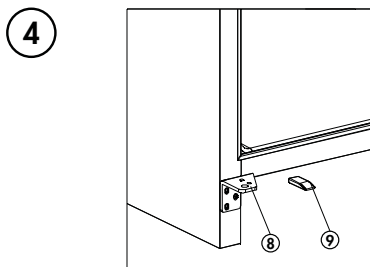
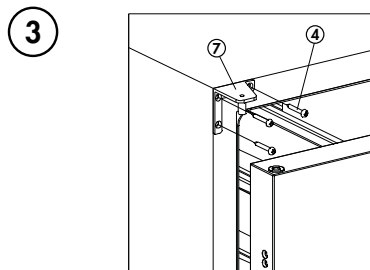
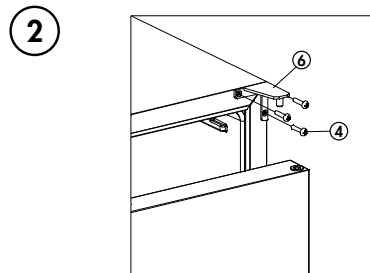
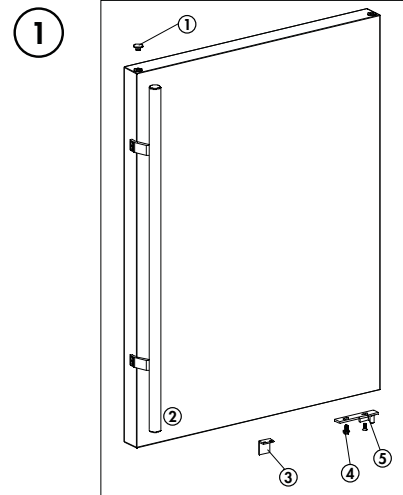
INSTRUCCIONES DE INSTALACIÓN

INSTRUCCIONES DE REVERSIÓN DE LA PUERTA

Si el aparato se coloca en su parte posterior o lateral durante un período de tiempo prolongado durante este proceso, se debe permitir que permanezca erguido durante 6 horas antes de enchufarlo para evitar daños a los componentes internos.

1. Abra la puerta a un ángulo de 90° y retire los dos tornillos del eje de la puerta. Deslice la parte inferior de la puerta hacia afuera para sacarla del chasis. Retire la cubierta del agujero de la bisagra de la parte superior izquierda de la puerta e instálela en el lado derecho.
2. Retire la bisagra superior derecha.
3. Retire las cubiertas del orificio de tornillo de la parte superior izquierda del gabinete e instale la bisagra superior derecha. Coloque las tapas de los orificios de los tornillos en los orificios de los tornillos en el lado derecho del gabinete.
4. La bisagra izquierda inferior está preinstalada en el gabinete. Retire el soporte de la puerta de la bisagra inferior izquierda e instálelo en la bisagra inferior derecha.
5. Instale la puerta en la bisagra superior izquierda y fije la puerta a la bisagra izquierda inferior usando el eje de la puerta. Antes de apretar los tornillos, asegúrese de que la parte superior de la puerta esté nivelada con la parte superior del armario, que el actuador esté en contacto con el interruptor de la parte inferior del armario y que la junta de goma esté haciendo un buen sellado con el armario el camino alrededor.
6. Mueva la manija de la puerta desde el lado izquierdo de la puerta hacia el lado derecho.

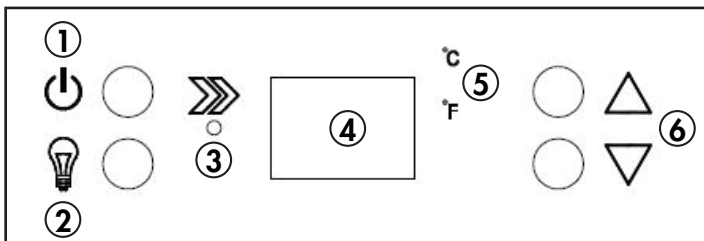
1. Cubierta del agujero de la bisagra
2. Manija de la puerta
3. Solenoide
4. Empulgeras
5. Eje de puerta
6. Bisagra superior derecha
7. Bisagra superior izquierda
8. Bisagra izquierda inferior
9. Soporte de puerta



INSTRUCCIONES DE OPERACIÓN

PANEL DE CONTROL

1. **Botón de encendido:** Mantenga pulsado este botón durante 3 segundos para encender o apagar el aparato.
2. **Botón ligero**
3. **Luz de encendido:** La luz indicadora se ilumina para indicar que el modo de refrigeración está en funcionamiento.
4. **Pantalla de temperatura:** Muestra la temperatura ajustada.
5. **°C/°F:** El indicador indica la escala de temperatura que se está visualizando actualmente.
6. **Botones arriba y abajo:** Usados para aumentar o disminuir la temperatura ajustada en incrementos de 1°.



DISPENSACIÓN DE CERVEZA

- Mantenga el barril de cerveza refrigerado en todo momento.
- Sostenga el cristal en un ángulo de 45°, cuando esté 2/3 lleno, empiece a enderezar el vidrio mientras se llena.
- Siempre asegúrese de que la manija del grifo se empuja todo el camino de vuelta antes de retirar el vidrio.
- El compartimiento del refrigerador no puede acomodar el barril de barril biselado estilo "Coors".
- Este refrigerador de barril acepta barriles domésticos de hasta 17 pulgadas (43 cm) de diámetro y hasta 23.3 pulgadas (59.2 cm) de altura. Verifique con el distribuidor para asegurarse de que el barril es el tamaño correcto.
- Es importante permitir que el barril se mantenga erguido y sin molestias durante 2 horas antes de tocar para evitar una excesiva formación de espuma.

Tamaños de barrilete que se pueden utilizar en el refrigerador de barrilete

Tamaño	Litros	Galones	# 12 oz. vasos
1/2 barril	59	15.5	163
1/4 barril	30	7.8	82
1/6 barril	20	5.2	60
1/8 barril	15	4.0	41

INSTRUCCIÓN DE FUNCIONES

La temperatura predeterminada es de 43°F (6°C). La escala de temperatura predeterminada es °F.

Para cambiar la visualización entre °F y °C, presione los botones de temperatura superior e inferior simultáneamente durante aproximadamente 3-5 segundos.

La temperatura puede establecerse tan bajo como 36°F (2°C) o tan alto como 50°F (10°C).

La temperatura real dentro del aparato puede variar en función de la temperatura ambiente, la frecuencia con la que se abre la puerta y el número de botellas calientes que se han añadido recientemente al aparato.

Cada presión de los botones arriba y abajo ajustará la temperatura en incrementos de 1°.

Alarma de puerta abierta: Si la puerta no se cierra por completo durante 5 minutos, sonará una alarma. Cierre la puerta para silenciar la alarma.

Si la puerta está cerrada y la alarma sigue sonando, verifique que el actuador en la parte inferior de la puerta esté en contacto con el interruptor del aparato.

Memoria de temperatura: Si el aparato pierde energía, el panel de control recordará la temperatura ajustada. Una vez restablecida la alimentación, el aparato volverá a funcionar de forma automática.

Alarma de temperatura: Si la temperatura interna del armario es superior a 23°C (73°F) durante una hora, el código de error "HI" aparecerá en el panel de la pantalla y sonará una alarma.

Si la temperatura interna del gabinete es inferior a 28°F (-2°C), el código de error "LO" aparecerá en el panel de la pantalla y sonará una alarma.

Si la temperatura interna del gabinete permanece a 28°F (-2°C) durante más de 30 minutos, el código de error "CL" aparecerá en el panel de la pantalla y sonará una alarma. El aparato dejará de funcionar para evitar que el contenido se congele.

Luz interior: Por defecto, la luz interior se encenderá y apagará cuando se abra o cierre la puerta.

Presione el botón de luz una vez para apagar la luz mientras la puerta está abierta. La luz volverá a funcionar por defecto cuando la puerta esté cerrada.

LIMPIEZA DEL APARATO

Asegúrese de que el aparato esté desenchufado antes de limpiar.

- Para limpiar el interior del aparato, utilice un paño suave y una solución de una cucharada de bicarbonato de soda a un litro de agua o una solución de jabón suave o un poco de detergente suave.
- Limpie el exterior con un paño suave y húmedo y un poco de detergente suave.
- Es importante mantener el área limpia donde la puerta sella contra el gabinete. Limpie esta área con un paño jabonoso. Enjuague con un paño húmedo y deje secar.

Nota: No utilice limpiadores que contengan amoníaco o alcohol en el aparato. El amoníaco o el alcohol pueden dañar el aspecto del aparato. No utilice nunca limpiadores comerciales o abrasivos ni objetos afilados en ninguna parte del aparato.

LIMPIANDO LA LINEA DE CERVEZA Y EL GRIFO

Las líneas de cerveza deben ser limpiadas periódicamente para eliminar la acumulación de azúcar cristalizado que se forma, comúnmente denominado "beerstore". Si el "beerstore" no se elimina completamente, dejará una superficie insalubre que puede albergar microorganismos que causarán un sabor indeseable o harán que la cerveza se vuelva plana. Una "cerveza de cerveza" suficiente también dará lugar a problemas de dispensación que van desde cerveza "salvaje" (demasiada espuma) a cerveza plana, independientemente de los niveles de carbonatación o edad de la cerveza en el barril.

La línea de la cerveza se debe limpiar aproximadamente una vez cada tres semanas o cada barril del otro, que viene siempre primero. El grifo se debe limpiar sobre una base semanal o antes de cada uso si no se utiliza sobre una base regular.

Para limpiar la línea de cerveza y el grifo, separarlos y dejar que se remojen en agua caliente durante al menos diez minutos. Enjuague bien y deje que se sequen antes de volver a montar el aparato. No use jabón en la línea de cerveza o grifo, ya que esto puede afectar el sabor de la cerveza.

Nota: Si el mango del grifo es difícil de mover, esto suele indicar que requiere limpieza. No aplique fuerza para mover el mango en esta situación, ya que esto puede dañar el mango o grifo y no estará cubierto por la garantía.

CÓDIGOS DE ERROR

Si los códigos de error "HI", "LO" o "CL" aparecen en la pantalla durante más de 5 minutos, un restablecimiento de alimentación puede solucionar el problema. Desconecte el aparato, espere 5 minutos y vuelva a enchufar la unidad. Si el código de error persiste después de un reinicio de energía, póngase en contacto con el servicio de atención al consumidor o con un agente de servicio autorizado.

DESCONGELAR

Esta unidad está equipada con una función de descongelación automática y no requiere descongelación manual. El agua de descongelación del aparato se canaliza en una bandeja de goteo situada por encima del compresor. La transferencia de calor desde el compresor hace que el agua de descongelación se evapore.

VACACIONES

- **Vacaciones cortas:** Deje el aparato en funcionamiento durante las vacaciones de menos de tres semanas.
- **Largas vacaciones:** Si no va a utilizar el aparato durante varios meses, retire todos los artículos y apague el aparato. Limpie y seque completamente el interior. Para evitar el olor y el crecimiento del moho, deje la puerta ligeramente abierta, bloqueándola si es necesario.

MUDARSE

- Quite todo el contenido.
- Gire el pie de nivelación para evitar daños.
- Cinta la puerta cerrada.
- Asegúrese de que el aparato permanezca en posición vertical durante el transporte. Proteja el exterior del aparato con una manta.
- Si el aparato se coloca en su parte posterior o lateral durante el transporte, al llegar al destino, deje que permanezca erguido durante 6 horas antes de enchufarlo para evitar daños a los componentes internos.

DISPOSICIÓN

Este aparato no puede ser tratado como un desecho doméstico normal, sino que debe ser llevado al punto de recogida de residuos apropiado para el reciclaje de componentes eléctricos. Para obtener información sobre los puntos de recogida de residuos locales, póngase en contacto con la agencia local de eliminación de residuos o con la oficina gubernamental.

SOLUCIÓN DE PROBLEMAS

Silhouette cuidado del consumidor: 1-844-455-6097

Horas de operación:

Lunes a Jueves 8:30 am - 6:00 pm Hora estándar del este

Viernes 8:30 am - 4:00 pm Hora estándar del este

La información de este manual está sujeta a cambios sin previo aviso.

PROBLEMA	CAUSA POSIBLE
Ninguna energía	<ul style="list-style-type: none"> • Se puede quemar un fusible o disparar el disyuntor • El enchufe no está totalmente insertado en el tomacorriente de pared
La temperatura interna no es lo suficientemente fría El aparato funciona continuamente Sonido de alarma y "HI" en el panel de visualización	<ul style="list-style-type: none"> • La puerta no se cierra correctamente o se abre excesivamente • El respiradero de escape está obstruido • La temperatura ambiente o la humedad es muy alta • Posible pérdida del sistema, fallo del ventilador del evaporador o falla del compresor
Sonido de alarma y "LO" o "CL" en el panel de visualización	<ul style="list-style-type: none"> • La temperatura ambiente es excesivamente baja • Error del sensor
Excesiva espuma de cerveza	<ul style="list-style-type: none"> • Asegúrese de que la manguera de la línea de cerveza de la torre y la manguera de aire de CO₂ del regulador de CO₂ estén conectadas a las conexiones correctas en el acoplador; línea de cerveza a la parte superior del acoplador, línea de aire de CO₂ al lado del acoplador • Compruebe que no haya fugas en ninguna conexión • Asegúrese de que la válvula de láminas en la conexión de CO₂ en el acoplador tiene un agujero en ella • La presión de CO₂ puede ser demasiado alta; intenta bajar la presión • Asegúrese de que la varilla de plástico del carrete de la válvula esté insertada en el acoplador
Flujo débil de la cerveza	<ul style="list-style-type: none"> • Asegúrese de que la manguera de la línea de cerveza de la torre y la manguera de aire de CO₂ del regulador de CO₂ estén conectadas a las conexiones correctas en el acoplador; línea de cerveza a la parte superior del acoplador, línea de aire de CO₂ al lado del acoplador • Compruebe que no haya fugas en ninguna conexión • Asegúrese de que la válvula de láminas en la conexión de CO₂ en el acoplador tiene un agujero en ella • La presión de CO₂ puede ser demasiado baja; intenta aumentar la presión • Asegúrese de que no haya curvas o torceduras en ninguna de las mangueras que puedan impedir el flujo

Silhouette

GARANTÍA LIMITADA "A DOMICILIO"

Este producto de calidad está garantizado contra defectos de fabricación, incluyendo partes y mano de obra, siempre y cuando la unidad se utilice bajo las condiciones normales de funcionamiento para las que fue diseñado. Esta garantía está solamente disponible para la persona que haya comprado originalmente esta unidad directamente de Danby Products Limited (Canada) o Danby Products Inc. (U.S.A.) (en adelante "Danby") o uno de sus distribuidores autorizados, y no es transferible.

CONDICIONES DE LA GARANTÍA

Las piezas plásticas, se autorizan por treinta (30) días solamente a partir de la fecha de la compra, sin las extensiones proporcionadas.

Primeros 24 meses Durante los primeros **veinticuatro (24) meses**, cualquier parte en buen estado de este producto que resulte defectuosa, incluyendo cualquier sistema sellado, será reparado o reemplazado, a opción del fabricante, sin cargo para el comprador original.

Para obtener servicio Comuníquese con el distribuidor donde haya comprado la unidad, o llame al Taller de Servicio Autorizado más cercano, donde debe ser reparada por un técnico calificado. Si esta unidad es reparada en otro lugar que no sea un Taller de Servicio Autorizado, o si la unidad se utiliza para aplicaciones comerciales, Danby no se hará responsable de ninguna forma y la garantía será anulada.

Límites del servicio técnico a domicilio Danby se reserva el derecho de limitar la cobertura de "Servicio en Domicilio" sujeto a la proximidad de un **Taller de Servicio Autorizado**. Para todo artefacto que requiera servicio fuera del área limitada de "Servicio en Domicilio", el cliente será responsable por transportar dicho artefacto hasta el Taller de Servicio Autorizado más cercano. Si el electrodoméstico está instalado en un lugar que se encuentra a **100 kilómetros (62 millas)** o más del centro de servicios más cercano, se debe llevar la unidad al Centro de servicios Danby autorizado más cercano, ya que dicho servicio sólo puede realizarlo un técnico calificado y certificado por Danby para prestar servicios de garantía.

Los cargos por transporte desde y hacia el lugar en que se efectúe el servicio técnico no están cubiertos por esta garantía y son de responsabilidad del comprador.

Nada dentro de esta garantía implica que Danby será responsable por cualquier daño que hayan sufrido los alimentos u otros contenidos de este aparato, ya sea debido a un defecto del aparato, o su uso, adecuado o inadecuado.

EXCLUSIONES

Salvo lo aquí indicado por Danby, no existen otras garantías, condiciones o representaciones, explícitas o implícitas, concretas o intencionales por parte de Danby o sus distribuidores autorizados y todas las demás garantías, condiciones o representaciones, incluyendo cualquier garantía, condiciones o representaciones bajo cualquier Acta de Venta de Productos o legislación o estatuto similar, quedan de esta forma expresamente excluidas. **Salvo lo aquí indicado, Danby no serán responsables por ningún daño a personas o bienes, incluyendo la propia unidad, sin importar su causa, o de ningún daño indirecto causado por el desperfecto de la unidad, y al comprar esta unidad, el comprador acepta por la presente, indemnizar y proteger a Danby contra cualquier reclamo por daños a personas o bienes causados por la unidad.**

CONDICIONES GENERALES

No se considerará ninguna de estas garantías o seguros cuando el daño o la necesidad de reparación sea el producto de los siguientes casos:

- 1) Falla del suministro eléctrico.
- 2) Daños en tránsito o durante el transporte de la unidad.
- 3) Alimentación incorrecta, como bajo voltaje, instalación eléctrica defectuosa o fusibles inadecuados.
- 4) Accidente, modificación, abuso o uso incorrecto del artefacto, tal como insuficiente ventilación del ambiente o condiciones de operación anormales (temperatura ambiente extremadamente alta o baja).
- 5) Utilización comercial o industrial (v.g., si el electrodoméstico no está instalado en una vivienda particular).
- 6) Incendio, daños por agua, robo, guerra, disturbios, hostilidades, actos de fuerza mayor como huracanes, inundaciones, etc.
- 7) Pedidos de servicio debido a desinformación del usuario.
- 8) Instalación inadecuada (v.g., instalación empotrada de un electrodoméstico diseñado como unidad independiente o uso de un electrodoméstico al aire libre que no esté aprobado para dicho fin, incluyendo pero no limitado a: garajes, patios, porches o en cualquier lugar que no esté bien aislado o controlado por el clima).

Se requerirá una prueba de la fecha de compra para reclamaciones de garantía; Retener las facturas de venta. En el caso de que se requiera servicio de garantía, presente el comprobante de compra a nuestro depósito de servicio autorizado.

Servicio de Garantía
Servicio en Domicilio

Danby Products Limited
PO Box 1778, Guelph, Ontario, Canada N1H 6Z9
Telephone: (519) 837-0920 FAX: (519) 837-0449

1-844-455-6097
04/17

Danby Products Inc.
PO Box 669, Findlay, Ohio, U.S.A. 45840
Telephone: (419) 425-8627 FAX: (419) 425-8629

Silhouette
PROFESSIONAL^{TM/MC}

MODEL * MODÈLE * MODELO

DKC055D1SSPRO