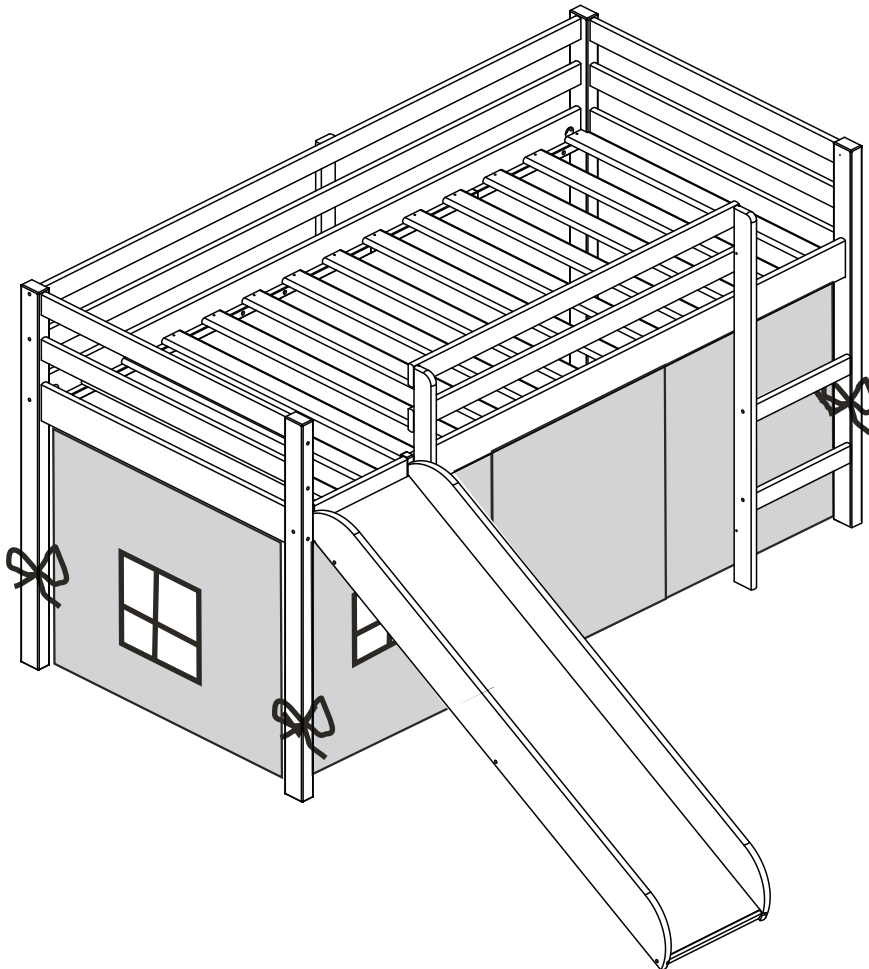


ASSEMBLY INSTRUCTIONS

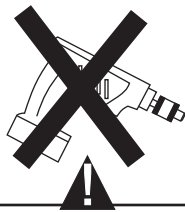
750 TENT BED



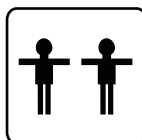
Thank you for purchasing this quality product. Be sure to check all packing material carefully for small parts which may have come loose inside the carton during shipment. Separate, identify and count all parts and hardware.

Compare with the parts list to be sure all parts are present.

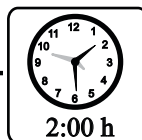
!DO NOT TIGHTEN SCREWS UNTIL COMPLETELY ASSEMBLED"



* Use of power tool to assemble this product will invalidate any claim and damage this product making unsafe !!!
* Please assemble on a clean soft surface to avoid damage.

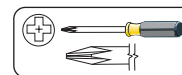


+

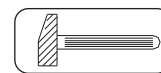


2:00 h

Tools Required



(Not included)

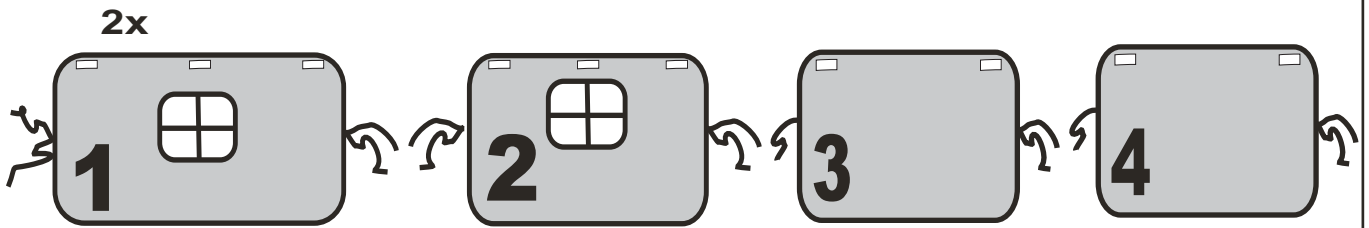
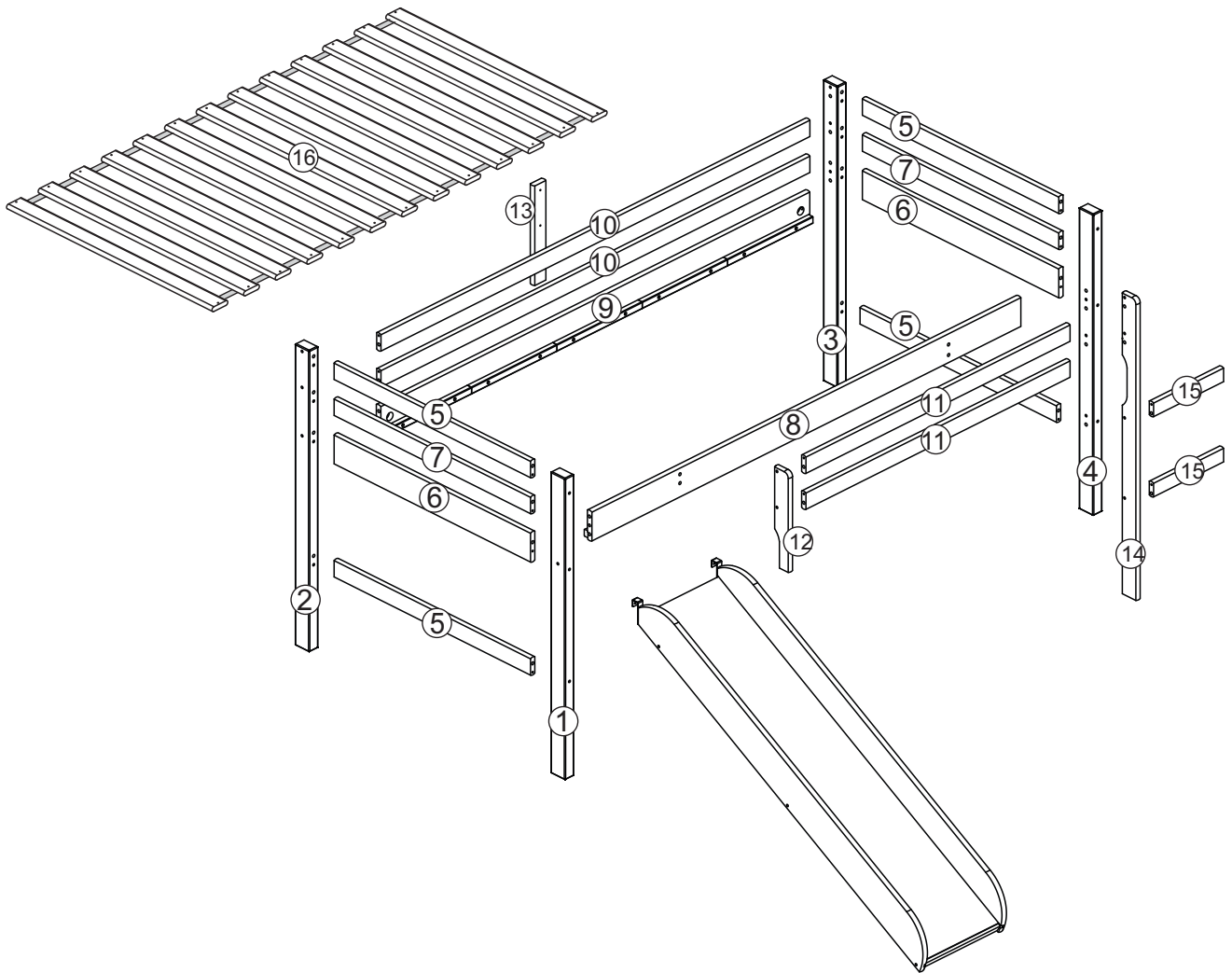


(Not included)

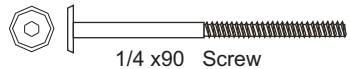

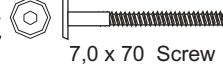
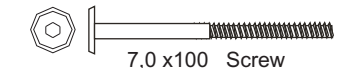

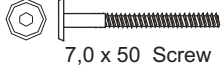
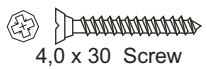
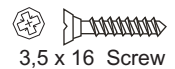
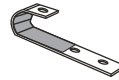

IMPORTANT:

PLEASE READ INSTRUCTION BEFORE STARTING THE ASSEMBLY

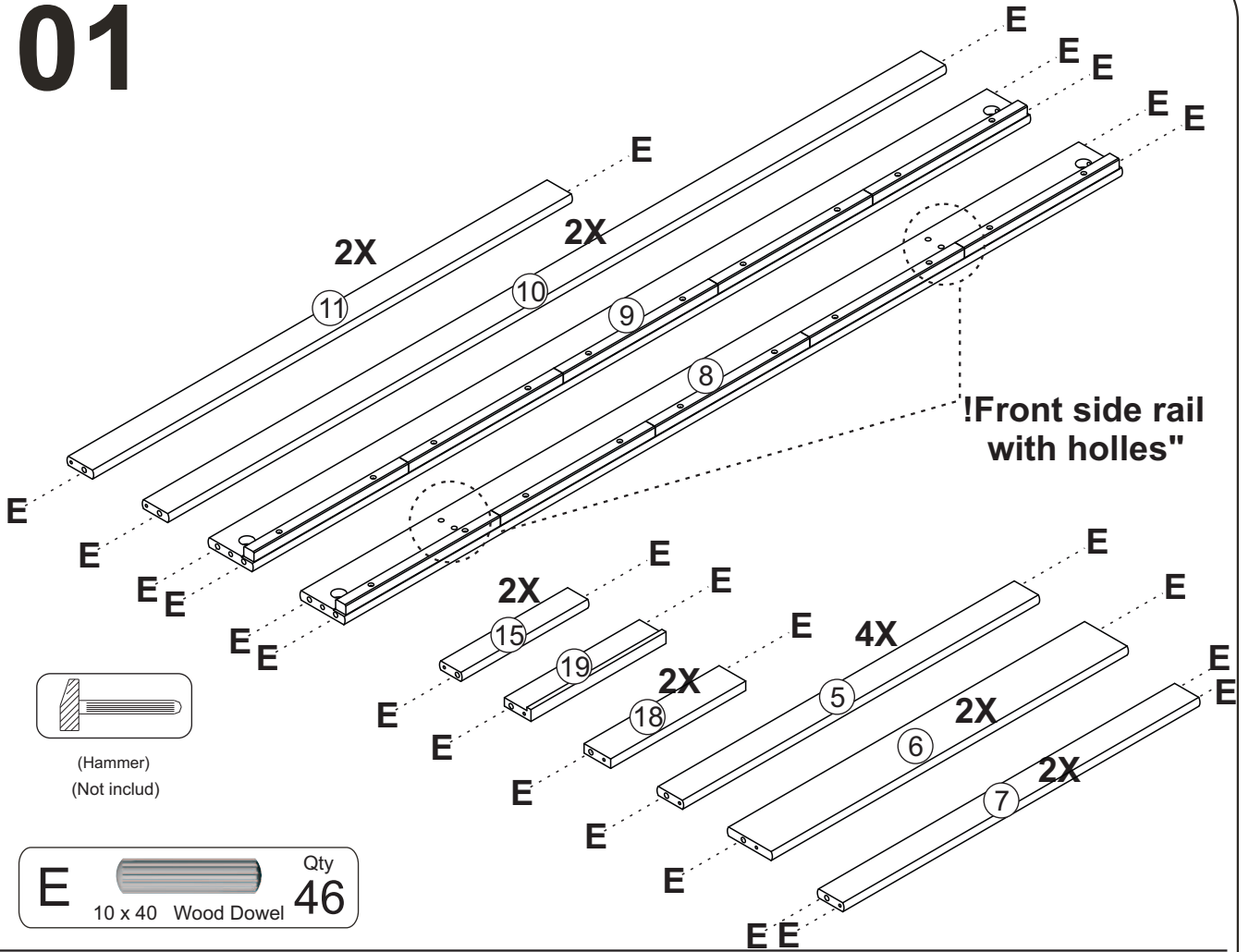
Part List - 750 TENT BED



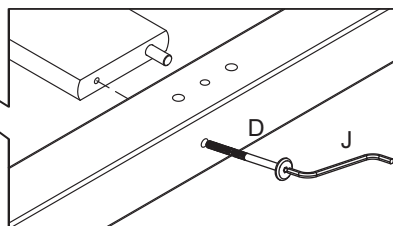
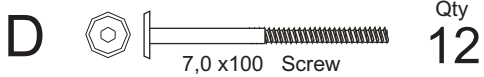
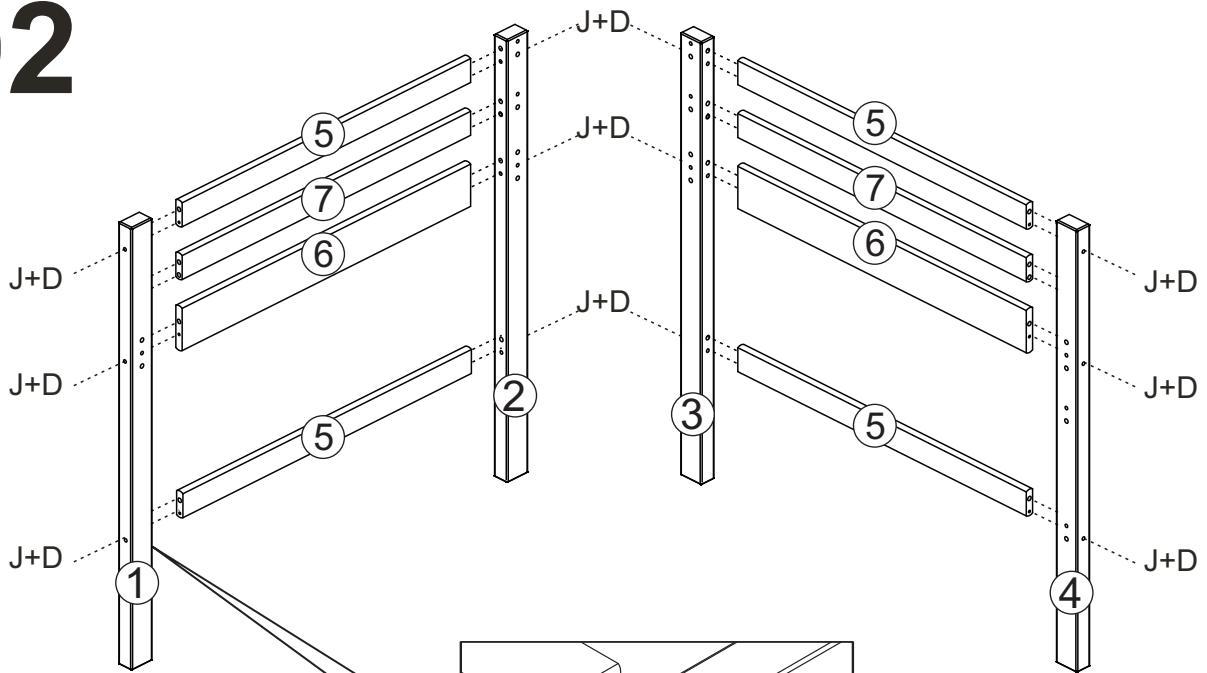
Identifying the Hardware-Identify the hardware using the illustrations below.

A  Qty 04 1/4 x90 Screw	B  Qty 04 1/4" Half Moon	C  Qty 06 7,0 x 70 Screw
D  Qty 12 7,0 x 100 Screw	E  Qty 46 10 x 40 Wood Dowel	F  Qty 16 7,0 x 50 Screw
G  Qty 29 4,0 x 30 Screw	H  Qty 06 3,5 x 16 Screw	i  Qty 02
J  Qty 01 Hex Screwdriver		

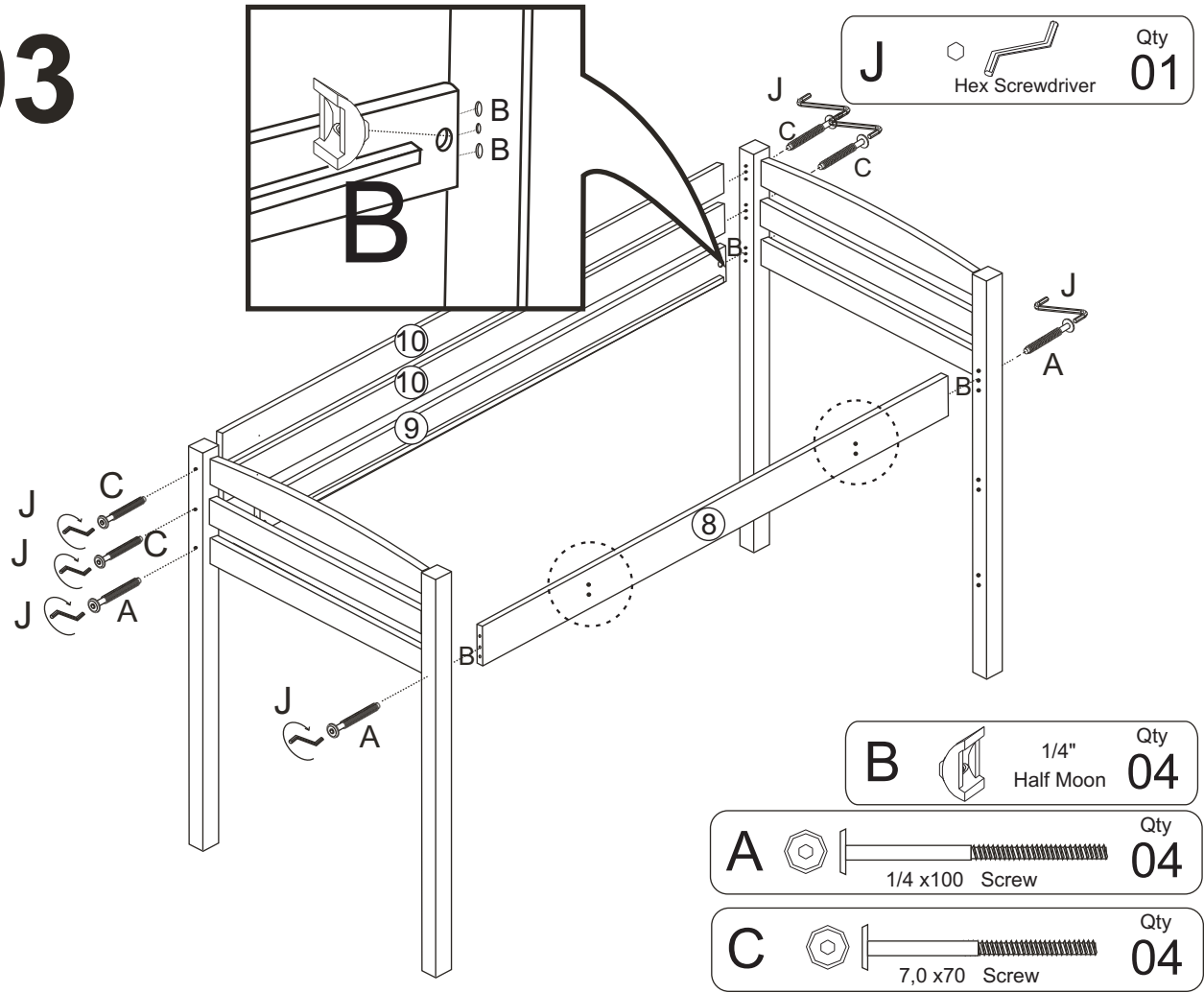
01



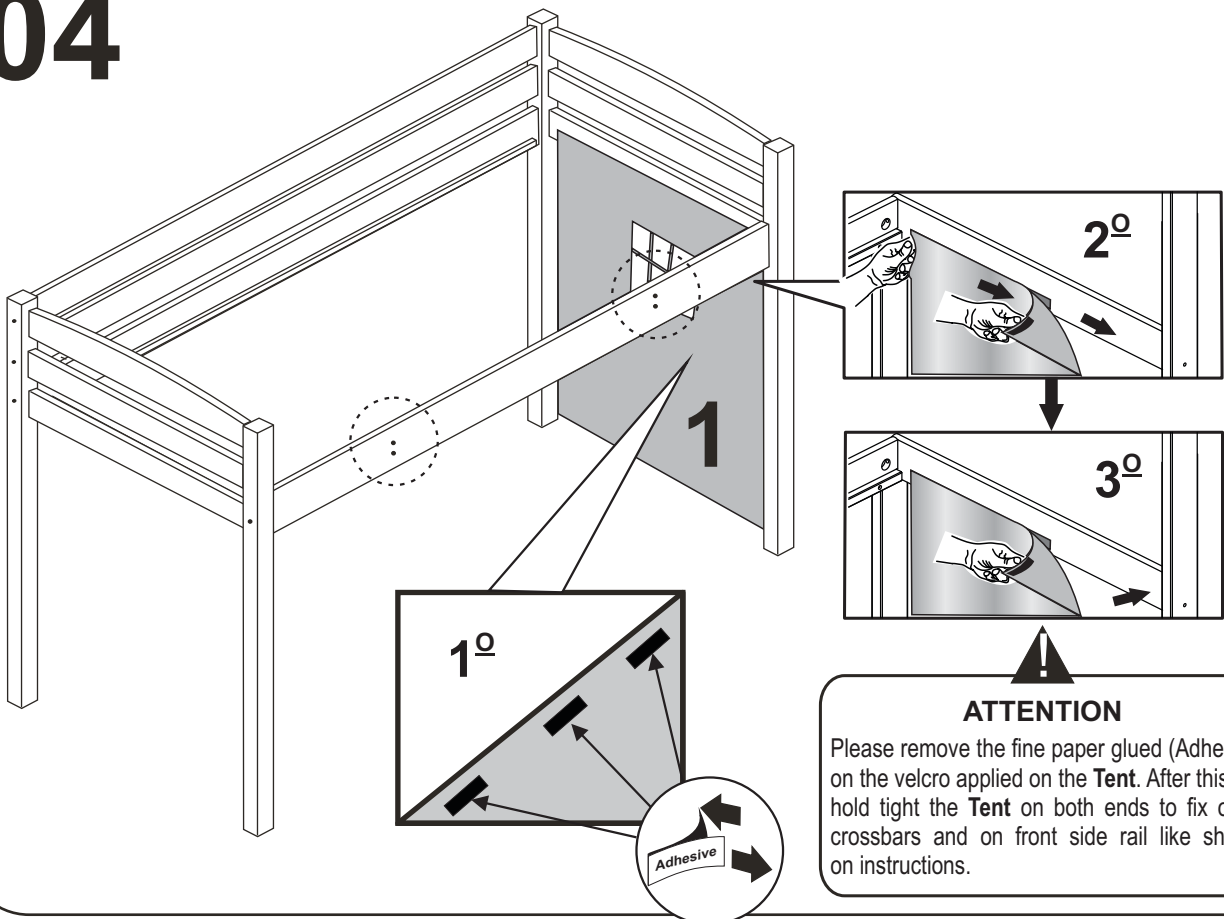
02



03




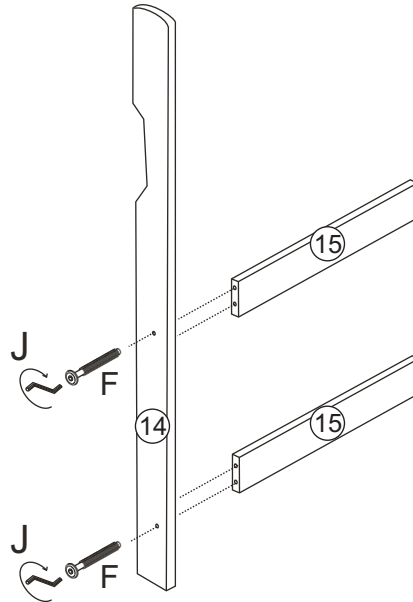
04



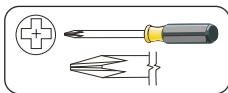
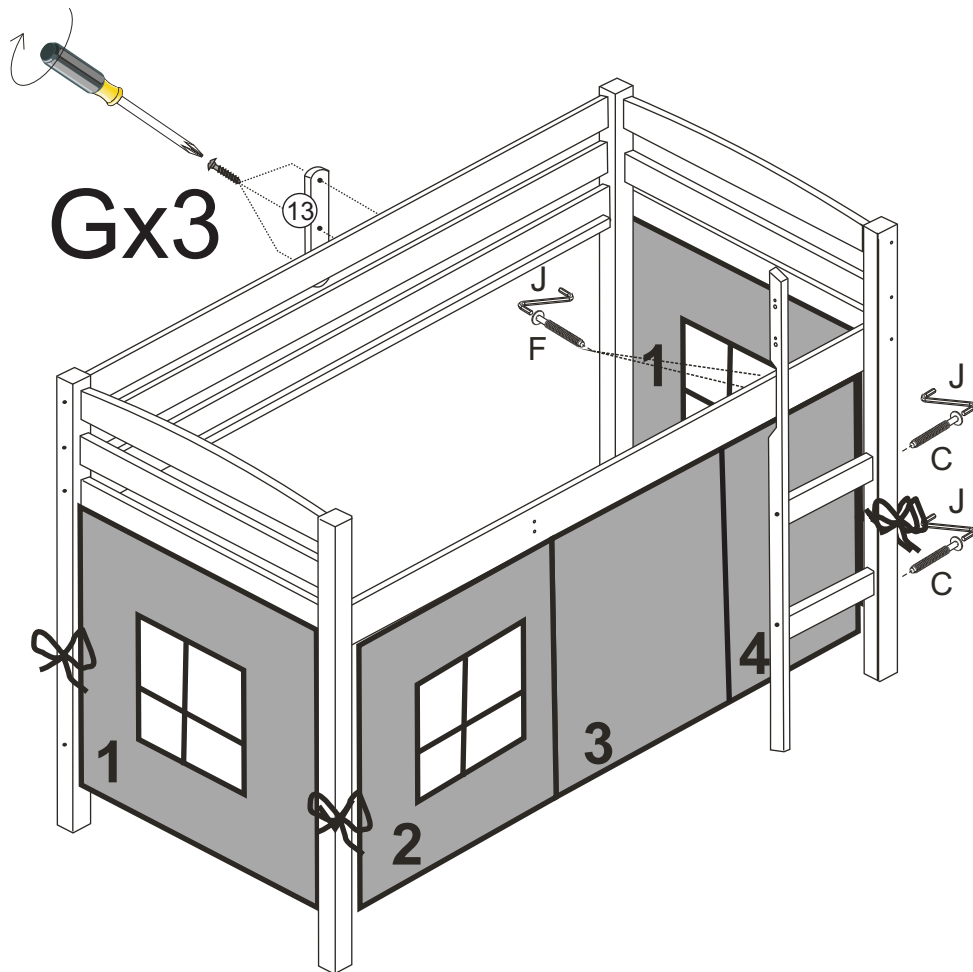
05

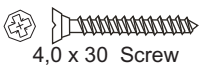
J  Qty **01**
Hex Screwdriver

F  Qty **02**
7,0 x 50 Screw

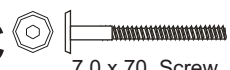


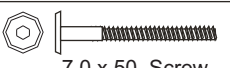
06



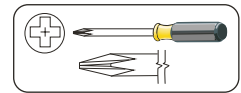
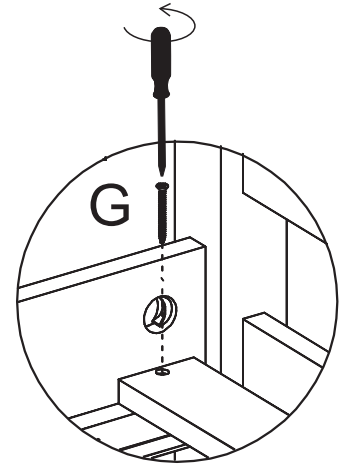
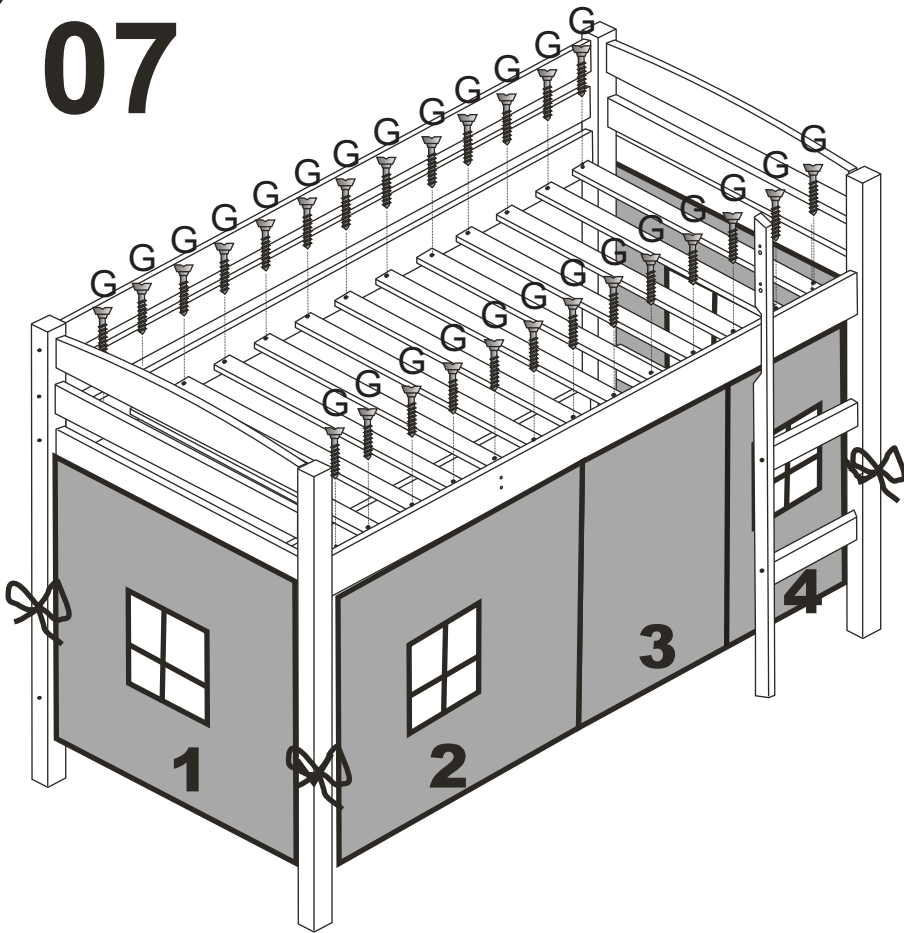
G  Qty **03**
4,0 x 30 Screw

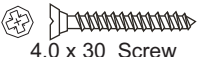
J  Qty **01**
Hex Screwdriver

C  Qty **02**
7,0 x 70 Screw

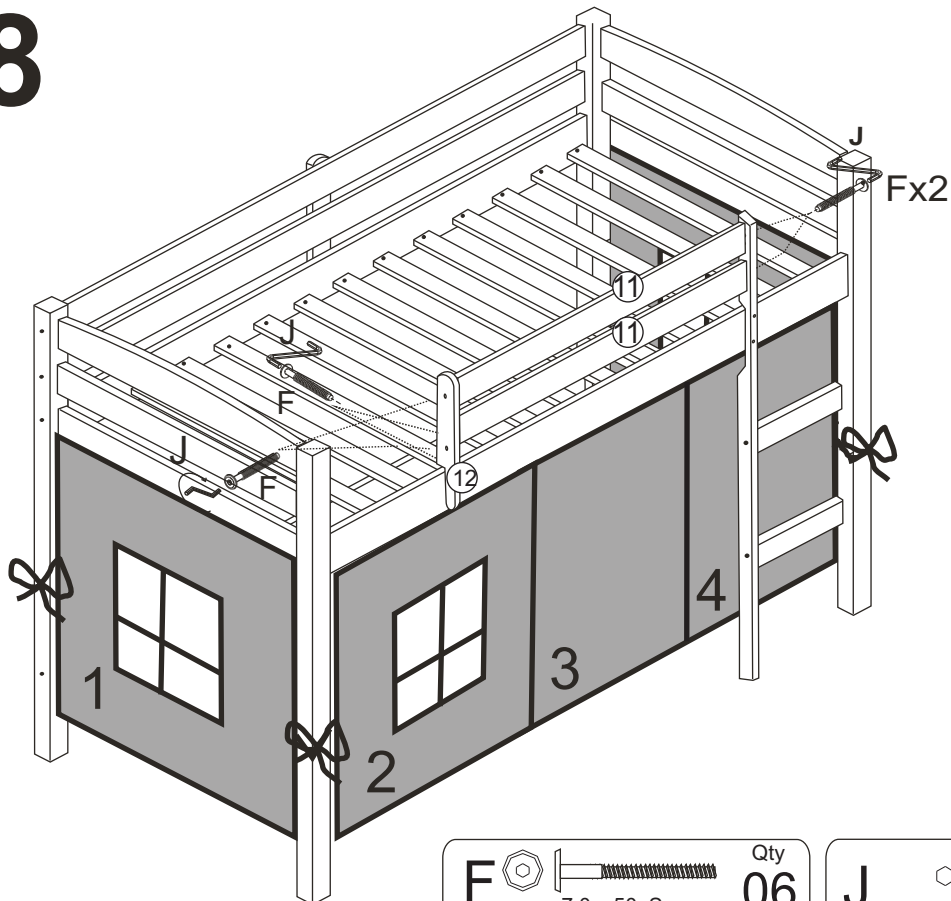
F  Qty **02**
7,0 x 50 Screw

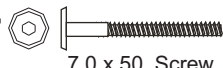
07



G  Qty **26**
4,0 x 30 Screw

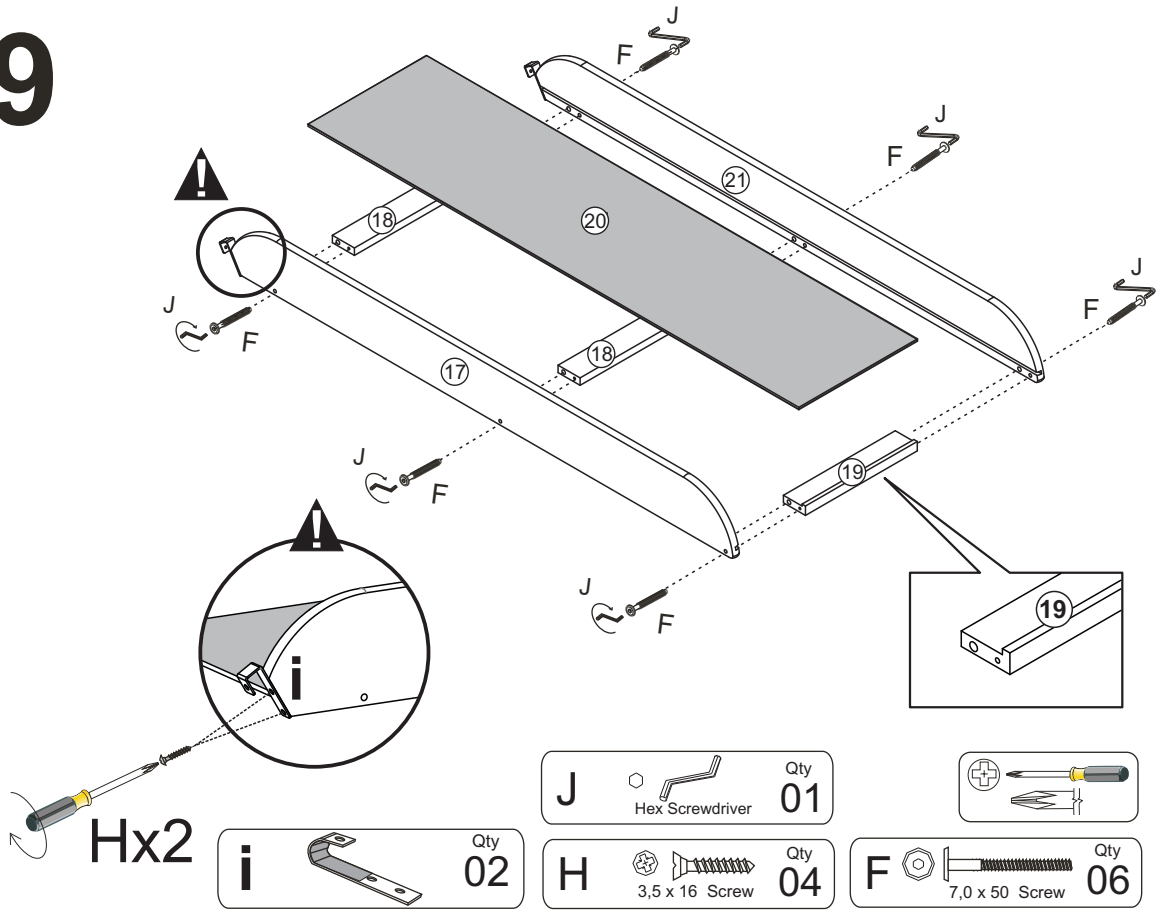
08



F  Qty **06**
7,0 x 50 Screw

J  Qty **01**
Hex Screwdriver

09



10

