

Warming Drawer Installation Guide



Contents

- 3 Warming Drawer
- 4 Specifications
- 7 Installation
- 7 Troubleshooting

Features and specifications are subject to change at any time without notice. Visit wolfappliance.com/specs for the most up-to-date information.

Important Note

To ensure this product is installed and operated as safely and efficiently as possible, take note of the following types of highlighted information throughout this guide:

IMPORTANT NOTE highlights information that is especially important.

CAUTION indicates a situation where minor injury or product damage may occur if instructions are not followed.

WARNING states a hazard that may cause serious injury or death if precautions are not followed.

IMPORTANT NOTE: Throughout this guide, dimensions in parentheses are millimeters unless otherwise specified.

IMPORTANT NOTE: Save these instructions for the local electrical inspector.

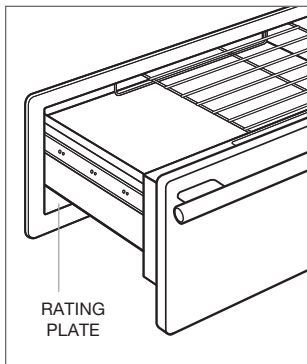
SAVE THESE INSTRUCTIONS

WARMING DRAWER

Product Information

Important product information including the model and serial number are listed on the product rating plate. The rating plate is located on the left front floor area of the inner cabinet. The drawer must be open to view the rating plate. Refer to the illustration below.

If service is necessary, contact Wolf factory certified service with the model and serial number. For the name of the nearest Wolf factory certified service or for questions regarding the installation, visit the contact & support section of our website, wolfappliance.com or call Wolf customer care at 800-222-7820.



Rating plate location.

Installation Requirements

The warming drawer must be installed with a Wolf drawer front, available through an authorized Wolf dealer. For local dealer information, visit the find a showroom section of our website, wolfappliance.com. Specific installation instructions are included with the drawer front.

The warming drawer can be installed in a standard or flush inset application (excludes L series drawer front).

Finish the edges of the opening. They may be visible when the drawer is open.

For standard installations, face trim will overlap stiles and rails. Refer to the chart below.

For flush inset installations, a minimum 1/8" (3) reveal is required on all sides. To ensure consistent reveals, each corner of the opening must be exactly 90°.

An anti-tip block must be installed to prevent the warming drawer from tipping forward when opened.

Model WWD300 is CSA approved for outdoor installations.

INSTALLATION REQUIREMENTS	
BASE SUPPORT	MIN
Warming Drawer	200 lbs (90 kg)
TRIM OVERLAP	
Top, Bottom and Sides	5/8" (16)

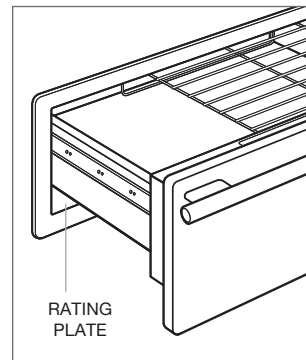
Electrical

Installation must comply with all applicable electrical codes.

Locate the electrical supply flush with the back wall and within the shaded area shown in the illustrations on the following pages. For ease of installation, the electrical supply for the warming drawer can be placed in an adjacent cabinet within reach of the power cord.

IMPORTANT NOTE: When installed outdoors, a ground fault circuit interrupter (GFCI) is required to reduce the risk of electrical shock.

ELECTRICAL REQUIREMENTS	
Electrical Supply	grounded, 120 VAC, 60 Hz
Service	15 amp dedicated circuit
Receptacle	3-prong grounding-type
Power Cord	3' (.9 m)

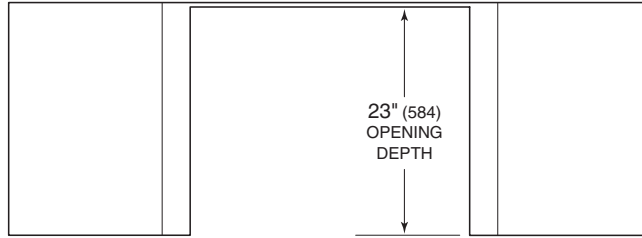


Rating plate location.

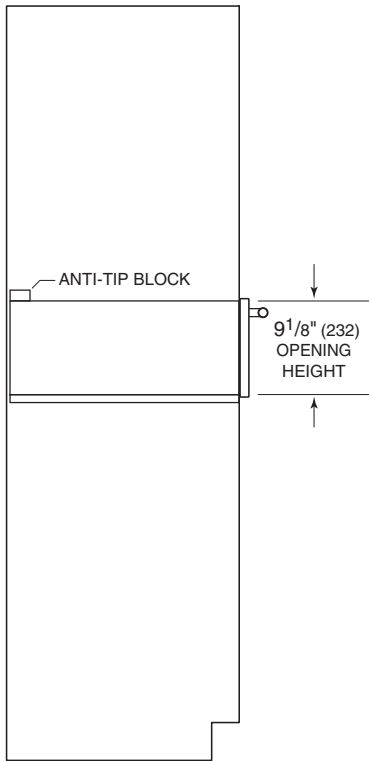
SPECIFICATIONS

Warming Drawer

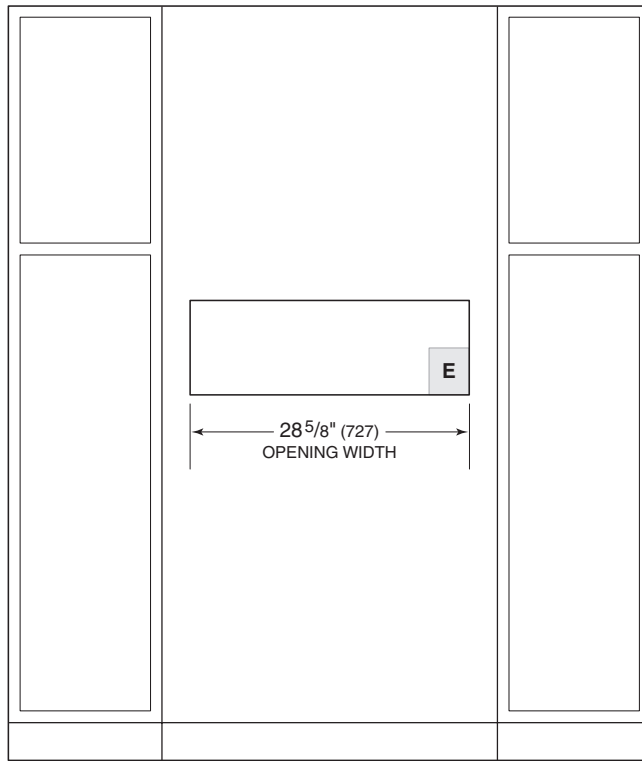
STANDARD INSTALLATION



TOP VIEW



SIDE VIEW



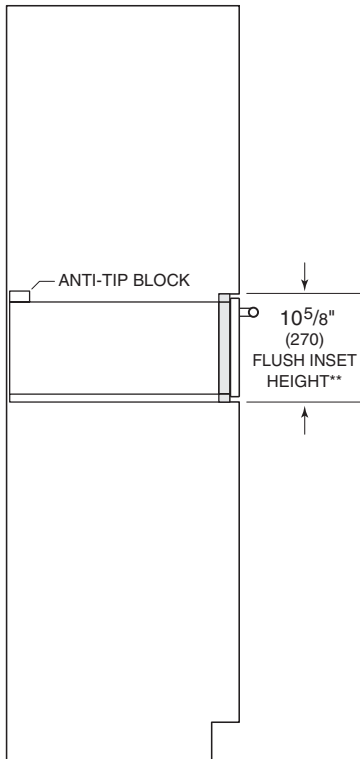
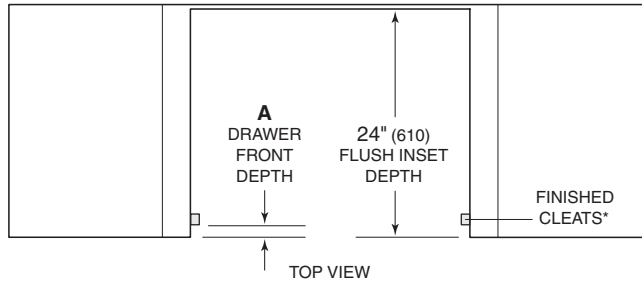
FRONT VIEW

NOTE: Location of electrical supply within opening may require additional cabinet depth.

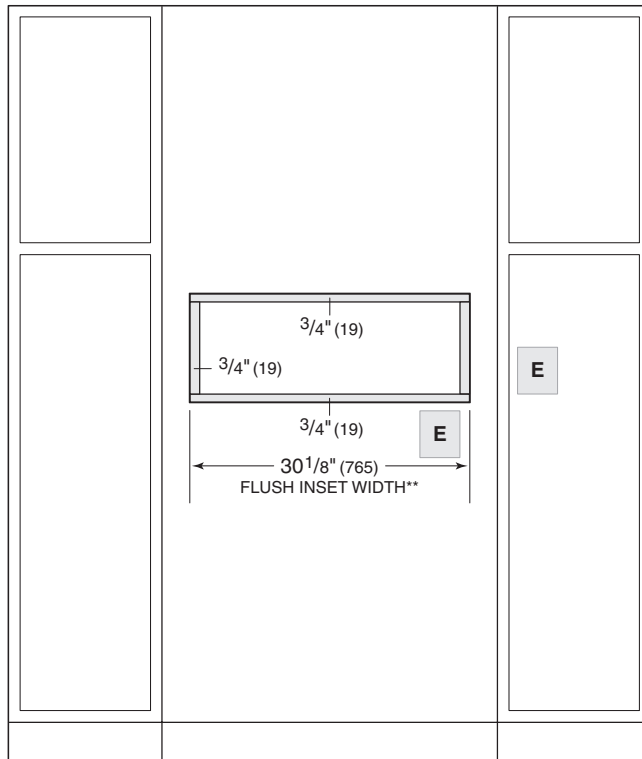
SPECIFICATIONS

Warming Drawer

FLUSH INSET INSTALLATION



SIDE VIEW



FRONT VIEW

*Will be visible and should be finished to match cabinetry.

**Dimension provides minimum reveals.

NOTE: Location of electrical supply within opening may require additional cabinet depth.

DRAWER FRONT DEPTH	
M / E SERIES DRAWER FRONT	A
Transitional / Professional	1 1/8" (29)
Professional (2" thick)	2 1/8" (54)
Contemporary	1 3/8" (35)

Custom front panel depth is dependent on panel thickness.

INSTALLATION

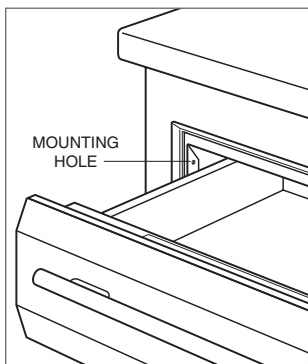
Preparation

Remove and recycle packing materials. Do not discard the package containing two screws provided for installation.

Install an anti-tip block against the rear cabinet wall. Verify screws are adequately secured and do not penetrate electrical wiring or plumbing.

Installation

- 1 Turn power off to the electrical outlet.
- 2 Slide the left corner of the warming drawer into the opening. If the electrical supply is located in the opening, plug the power cord into the receptacle. If it is located in an adjacent cabinet, guide the power cord through the hole in the cabinet wall. Coil excess power cord behind or beside the unit.
- 3 Slide the unit back into the opening until the trim meets the cabinet front. Avoid pinching the power cord between the unit and cabinet wall.
- 4 Open the warming drawer to full extension. Drill a pilot hole in each mounting hole, located at the front, on each side of the unit. Refer to the illustration below.
- 5 Mount the warming drawer using two screws provided.
- 6 Turn power back on to the electrical outlet.



Mounting hole.

Troubleshooting

IMPORTANT NOTE: If the warming drawer does not operate properly, follow these troubleshooting steps:

- Verify electrical power is supplied to the warming drawer.
- Verify proper electrical connections.
- If the warming drawer does not operate properly, contact Wolf factory certified service. Do not attempt to repair the warming drawer. Wolf is not responsible for service required to correct a faulty installation.



WOLF APPLIANCE, INC. P.O. BOX 44848 MADISON, WI 53744 WOLFAPPLIANCE.COM 800.222.7820

9001600 REV-B

9/2014

