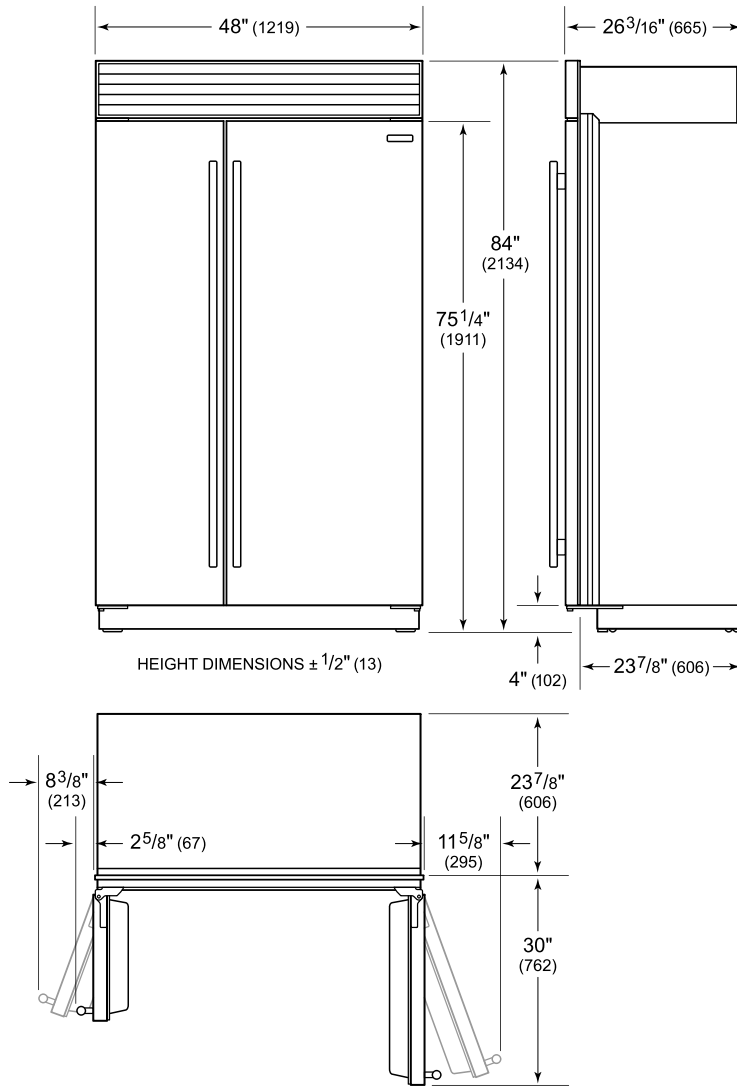
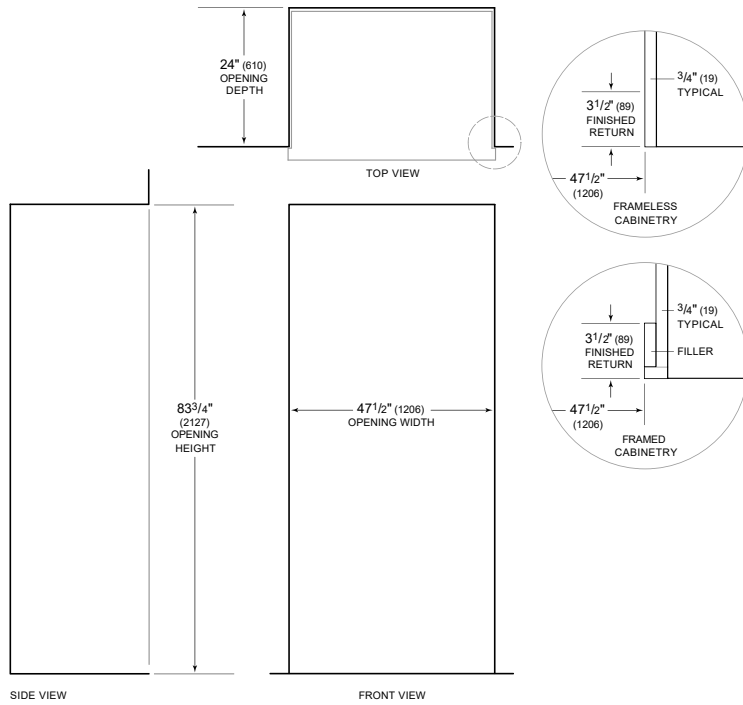


Dimensions



Standard Installation



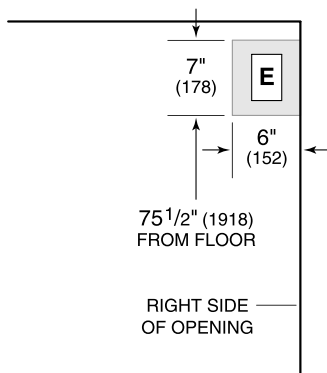
NOTE: 3 1/2" (89) finished returns will be visible and should be finished to match cabinetry. Shaded line represents profile of unit.

Electrical Requirements

Electrical Requirements

Electrical Supply 115 VAC, 60 Hz
 Electrical Service 15 amp dedicated circuit

Electrical Location Illustration



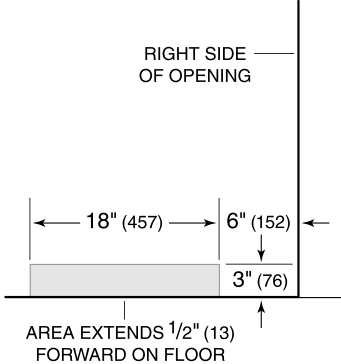
Plumbing Requirements

Plumbing Requirements

Plumbing Supply 1/4" OD copper, braided stainless steel or PEX tubing

Plumbing Pressure 35–120 psi

Plumbing Supply Illustration



Interior View

