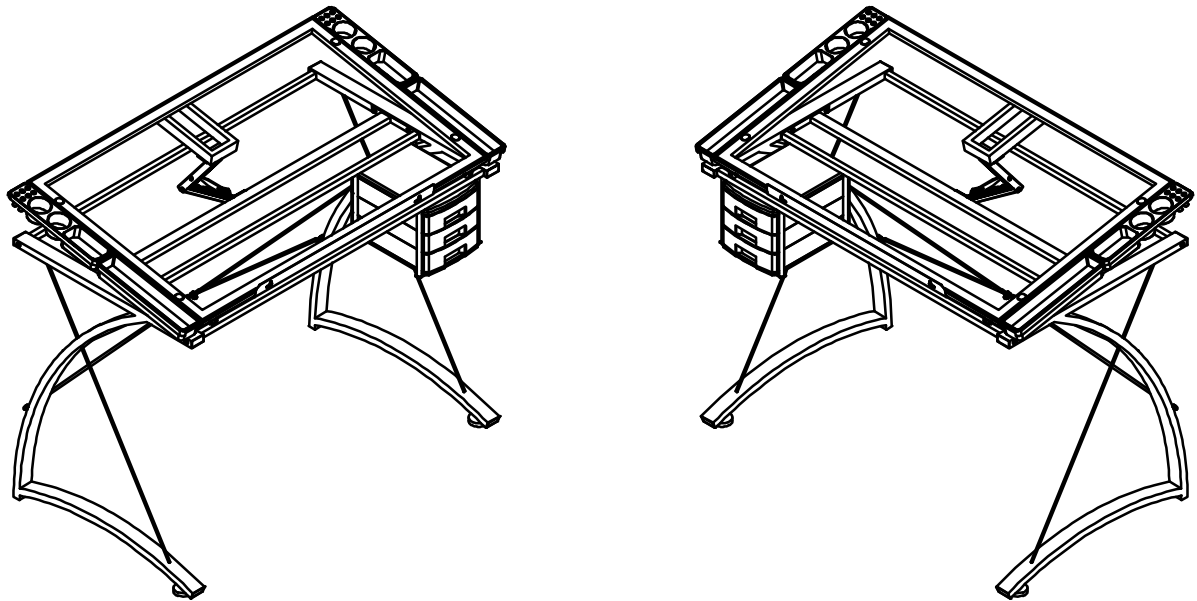


*ASSEMBLY INSTRUCTIONS*  
*COASTER FINE FURNITURE*



*Fine Furniture for every stage of life*

**800986**  
**DRAFTING DESK**

REVISION 0 : 10/19/2017  
REVISION 1 : 09/05/2019  
REVISION 2 : 07/13/2022  
REVISION 3 : 12/08/2023

PAGE 1 OF 9

COASTERFURNITURE.COM

ITEM:800986



# ASSEMBLY INSTRUCTIONS

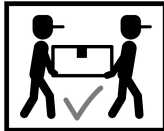
## ASSEMBLY TIPS:

1. Remove hardware from box and sort by size.
2. Please check to see that all hardware and parts are present prior to start of assembly.
3. Please follow attached instructions in the same sequence as numbered to assure fast & easy assembly.






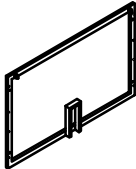


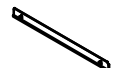
### WARNING!

1. Don't attempt to repair or modify parts that are broken or defective. Please contact the store immediately.
2. This product is for home use only and not intended for commercial establishments.



ASSEMBLY TIME 70 MINUTES

## PARTS IDENTIFICATION

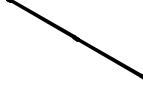

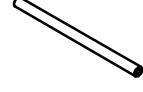

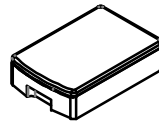
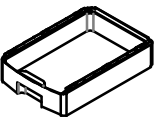
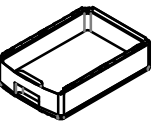
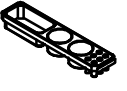

A	LEFT LEG		1PC
B	RIGHT LEG		1PC
C	CENTER SUPPORT BAR		1PC
D	TOP FRAME		1PC
E	FRONT SUPPORT BAR		1PC
F	BACK SUPPORT BAR		1PC
G	PEN HOLDER		1PC

ITEM:800986

# ASSEMBLY INSTRUCTIONS

## PARTS IDENTIFICATION



H	WIRE SUPPORT		2PCS
I	BOTTOM DRAWER SUPPORT		2PCS
J	DRAWER SUPPORT		4PCS
K	CONNECTING BRACKET		8PCS
LN	TOP DRAWER		1PC
MN	MIDDLE DRAWER		1PC
ON	BOTTOM DRAWER		1PC
P	PEN ART TRAY		2PCS
Q	ART TRAY		2PCS

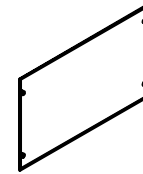
ITEM:800986

# ASSEMBLY INSTRUCTIONS

## PARTS IDENTIFICATION

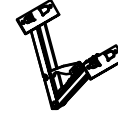


R TOP GLASS



1PC

S ANGLE ADJUSTMENT BACKET



1PC

## HARDWARE IDENTIFICATION


1 TOP GLASS ALLEN-BOLT  
(1/4" x 8mm)  4PCS

2 ALLEN BOLT MEDIUM  
(1/4" x 12mm)  9PCS

3 ALLEN BOLT LARGE  
(1/4" x 19mm)  4PCS

4 SIDE ALLEN BOLT  
(1/4" x 50mm)  4PCS

5 BOLT  
(3/16" x 12mm)  14PCS

6 CONNECTING BOLT  
(10 x 35mm)  4PCS

7 ALLEN BOLT SMALL  
(1/4" x 15mm)  2PCS

8 NUT  
(1/4")  1PC

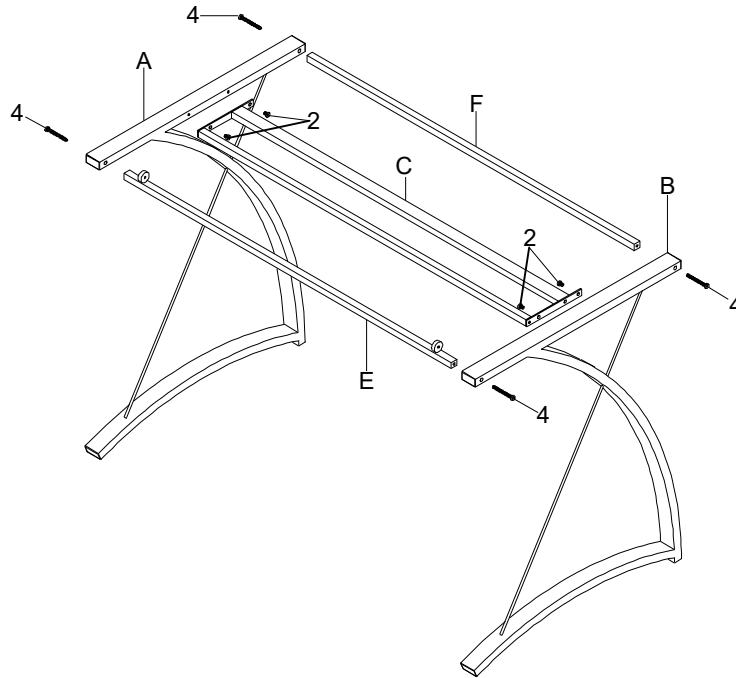
9 SCREW  
(4 x 12mm)  4PCS

10 FLOOR LEVELER  
(5/16" x 18mm)  2PCS

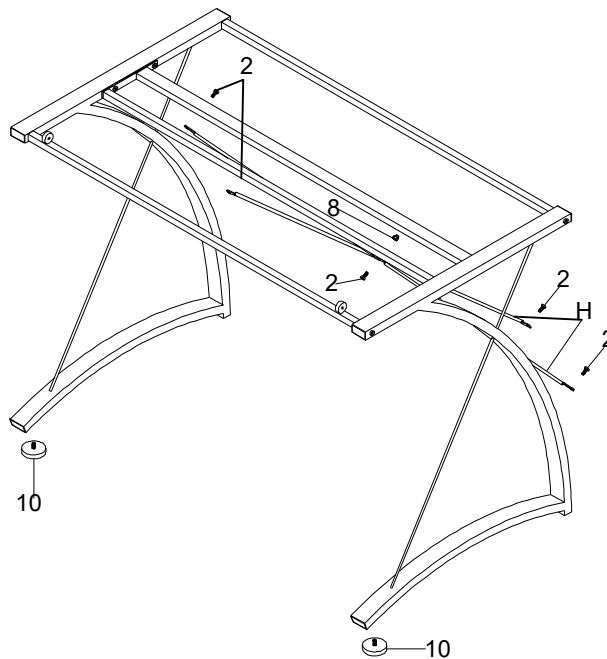
11 ALLEN KEY  
(4mm)  1PC

12 WRENCH  
(1/4")  1PC

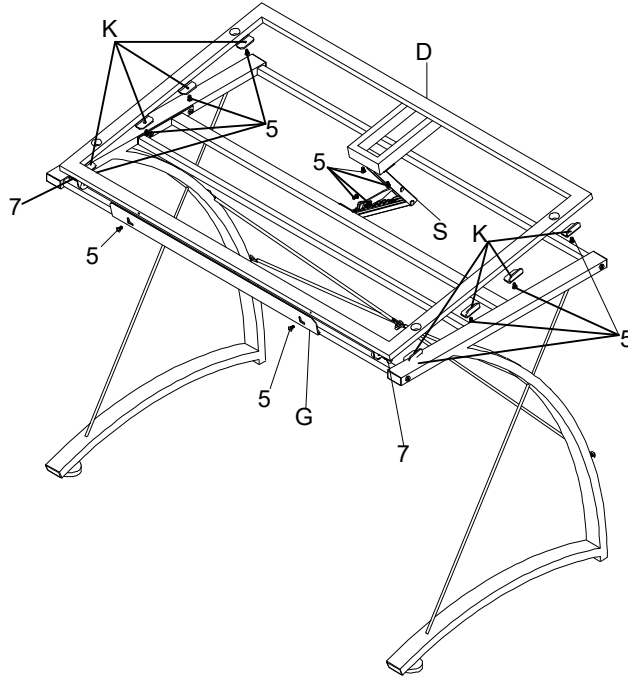
ITEM: 800986  
ASSEMBLY INSTRUCTIONS  
STEP 1



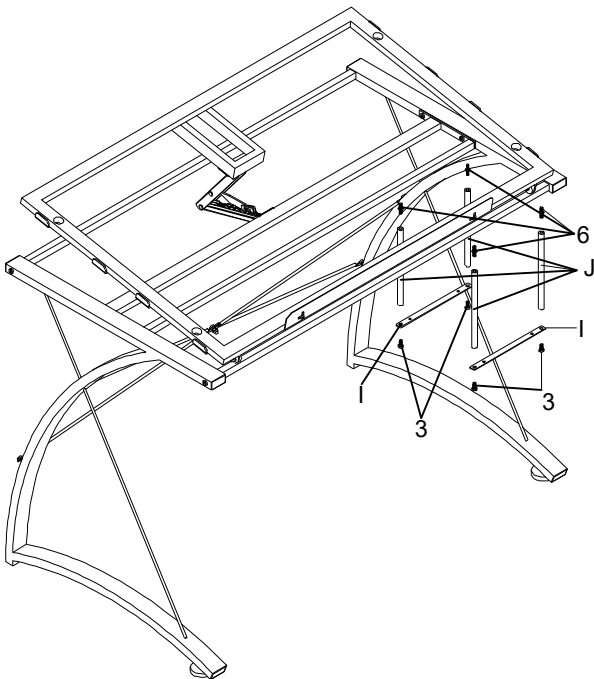
STEP 2



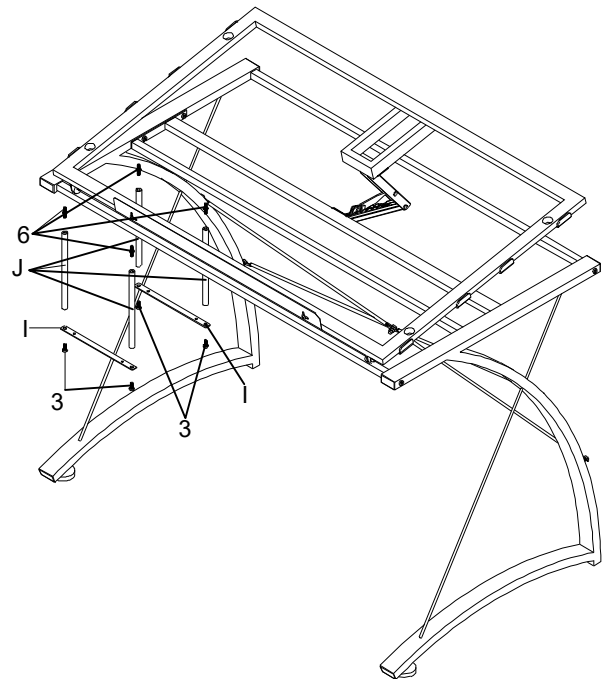
ITEM: 800986  
ASSEMBLY INSTRUCTIONS  
STEP 3



STEP 4

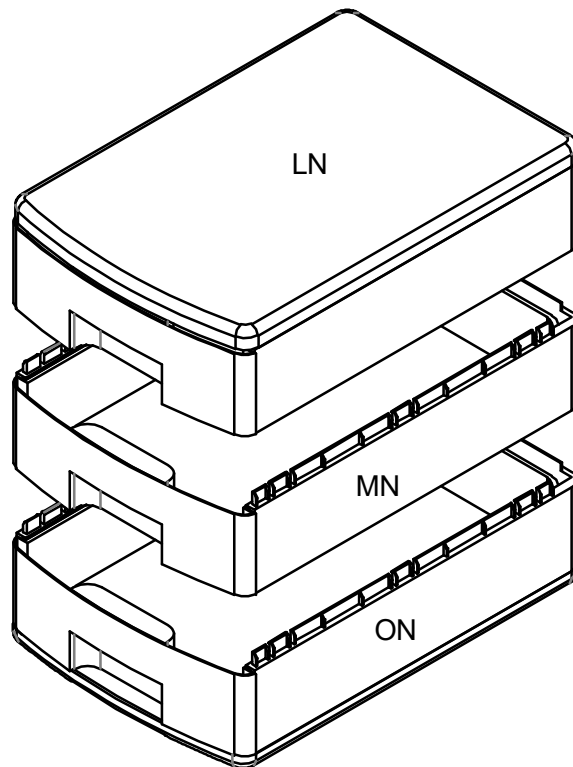


OPTION1

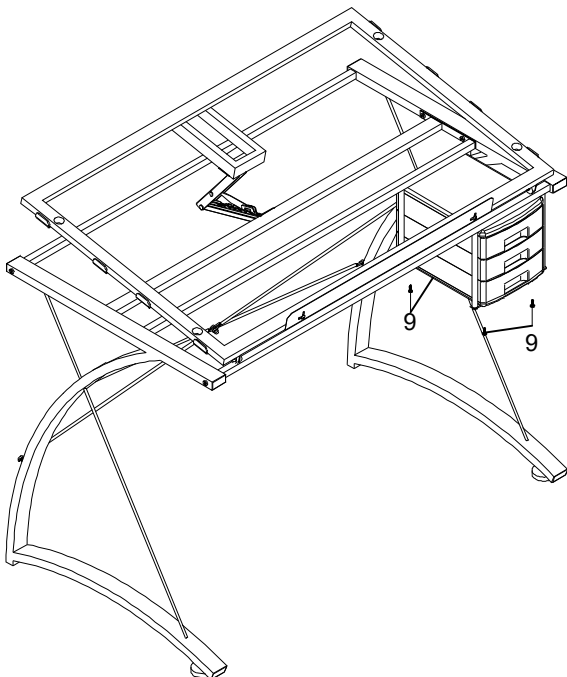


OPTION2

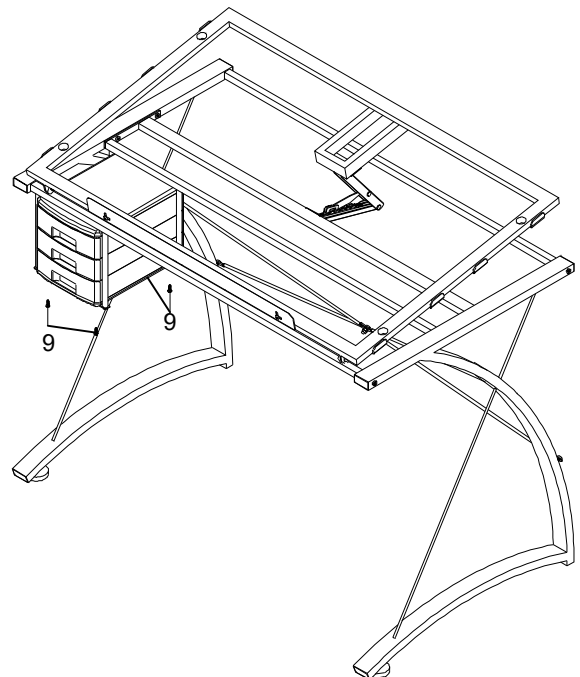
ITEM: 800986  
ASSEMBLY INSTRUCTIONS  
STEP 5



STEP 6

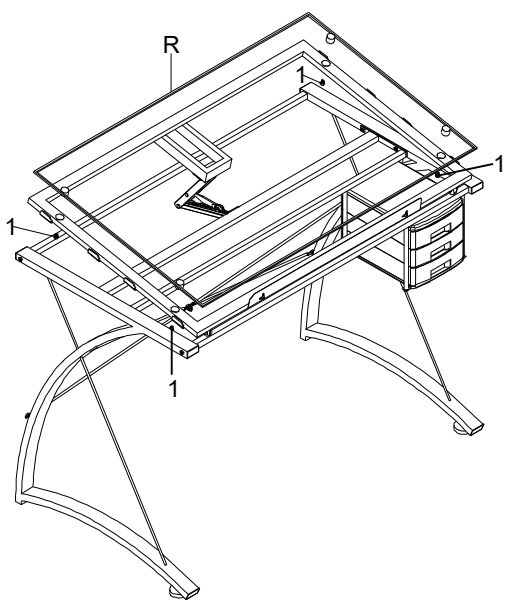


OPTION1

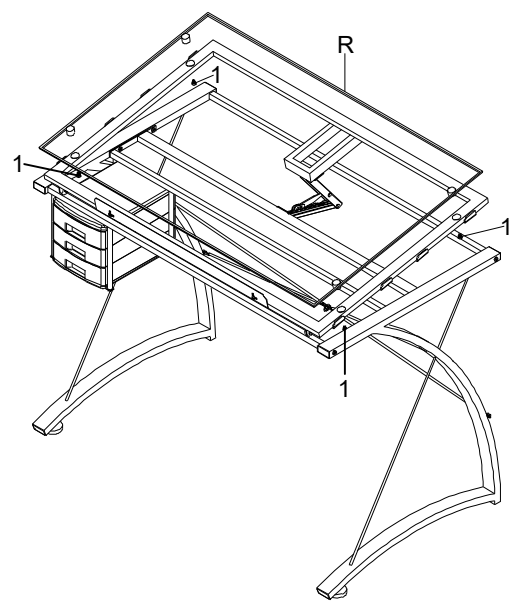


OPTION2

ITEM: 800986  
**ASSEMBLY INSTRUCTIONS**  
**STEP 7**

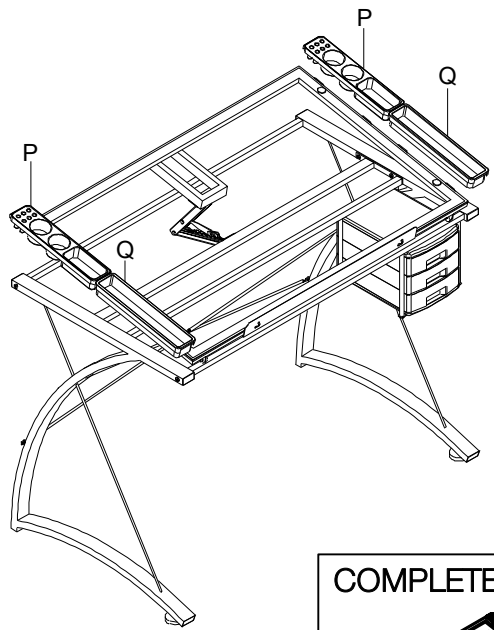


**OPTION1**

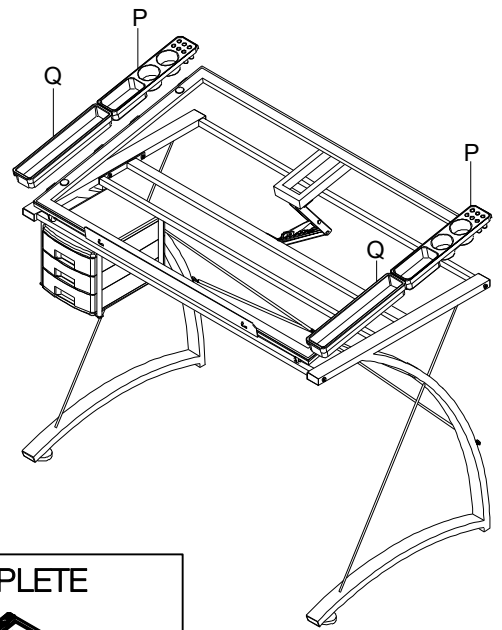


**OPTION2**

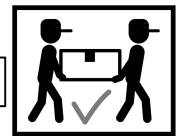
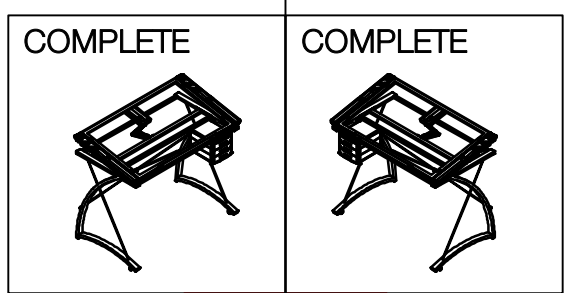
**STEP 8**



**OPTION1**



**OPTION2**

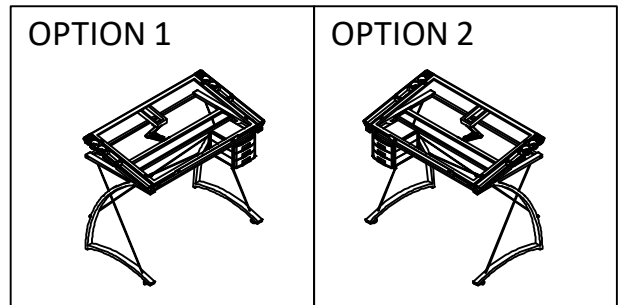
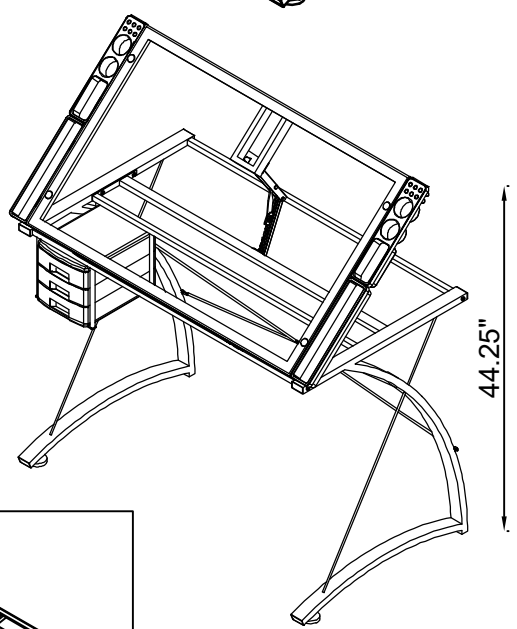
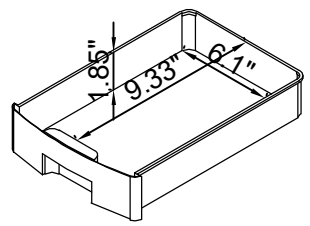
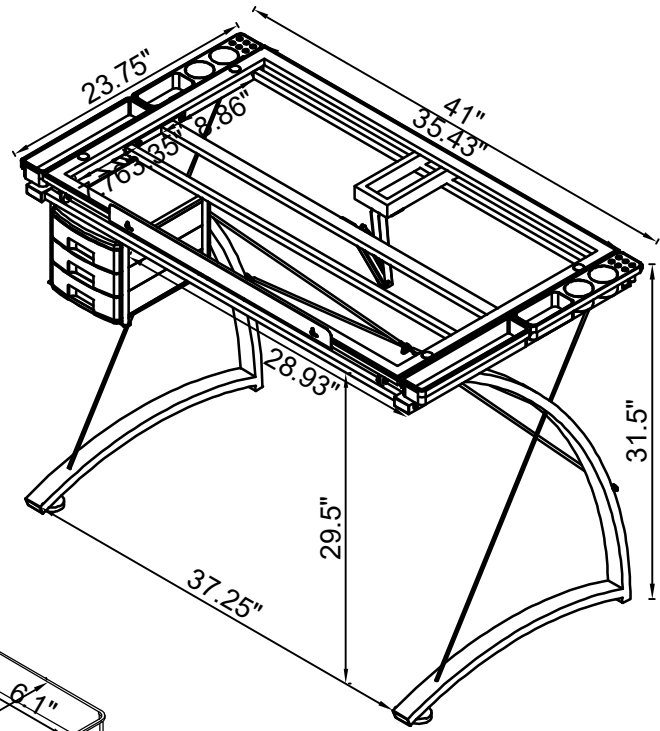




# ITEM: 800986 ASSEMBLY INSTRUCTIONS



Product Size : 1041 X 603 X 800~1123 H (MM)  
 Product Size : 41" X 23 3/4" X 31 1/2~44 1/4"



Note : Dimension tolerance ±5%