

FRIGIDAIRE

Factory Parts Catalog

Product No.	FGMV205KBA	FGMV205KFA	FGMV205KWA
Market	North America	North America	North America
Color	black	stainless steel	white
Volts	120	120	120
Watts	1000	1000	1000
Wiring Diagram	TMAPCA791WRRZ1	TMAPCA791WRRZ1	TMAPCA790WRRZ1
Owner's Guide	316902456	316902456	316902456
Installation Instructions	316902446	316902446	316902446

Frigidaire

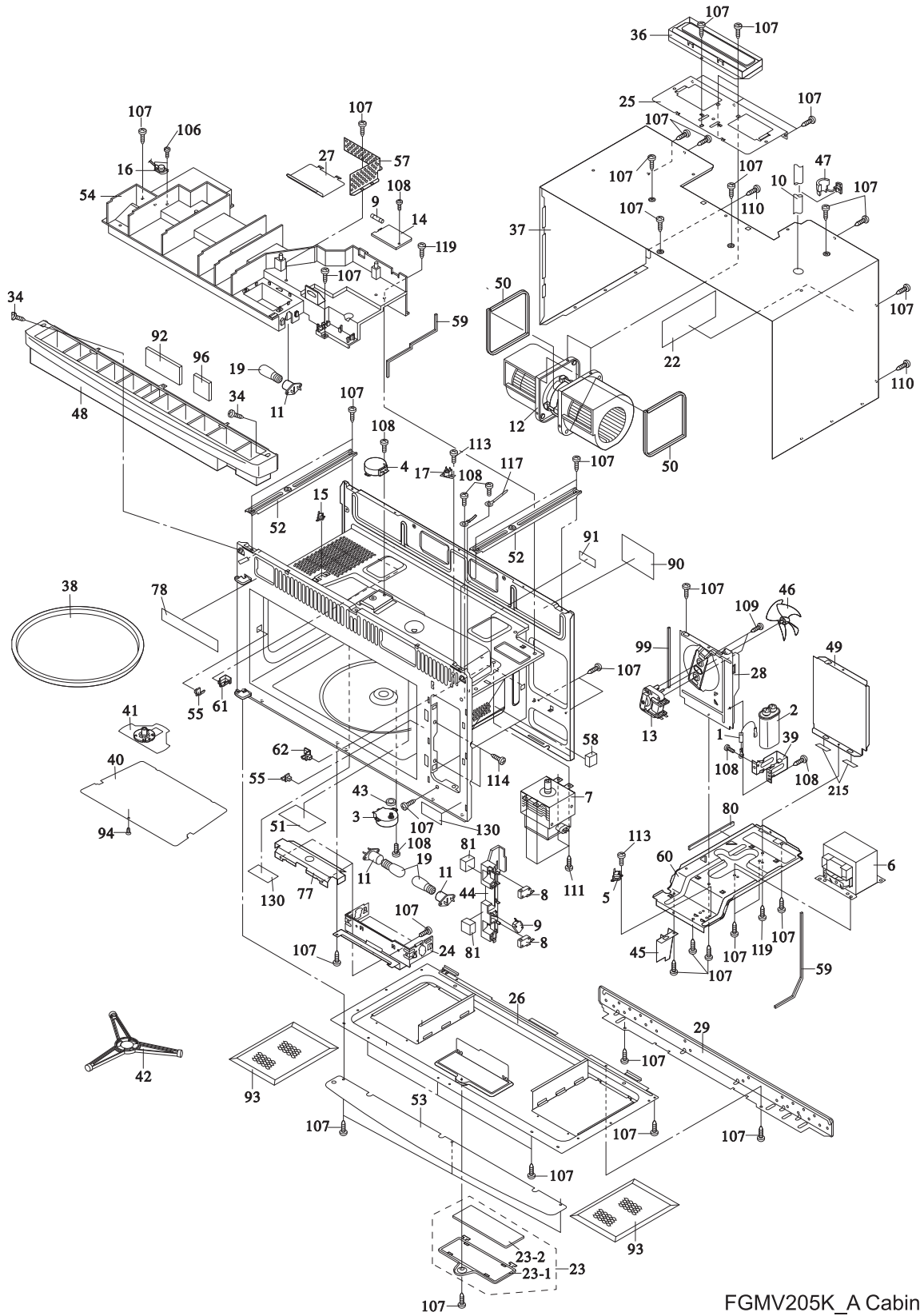
P.O. BOX 8020
CHARLOTTE, NC 28262

OVER-RANGE MICROWAVE

Model No.
FGMV205K / FGBM205K

Publication No.
5995608030
12/02/15
(EN/SERVICE/SLS)
099

OVEN, CABINET



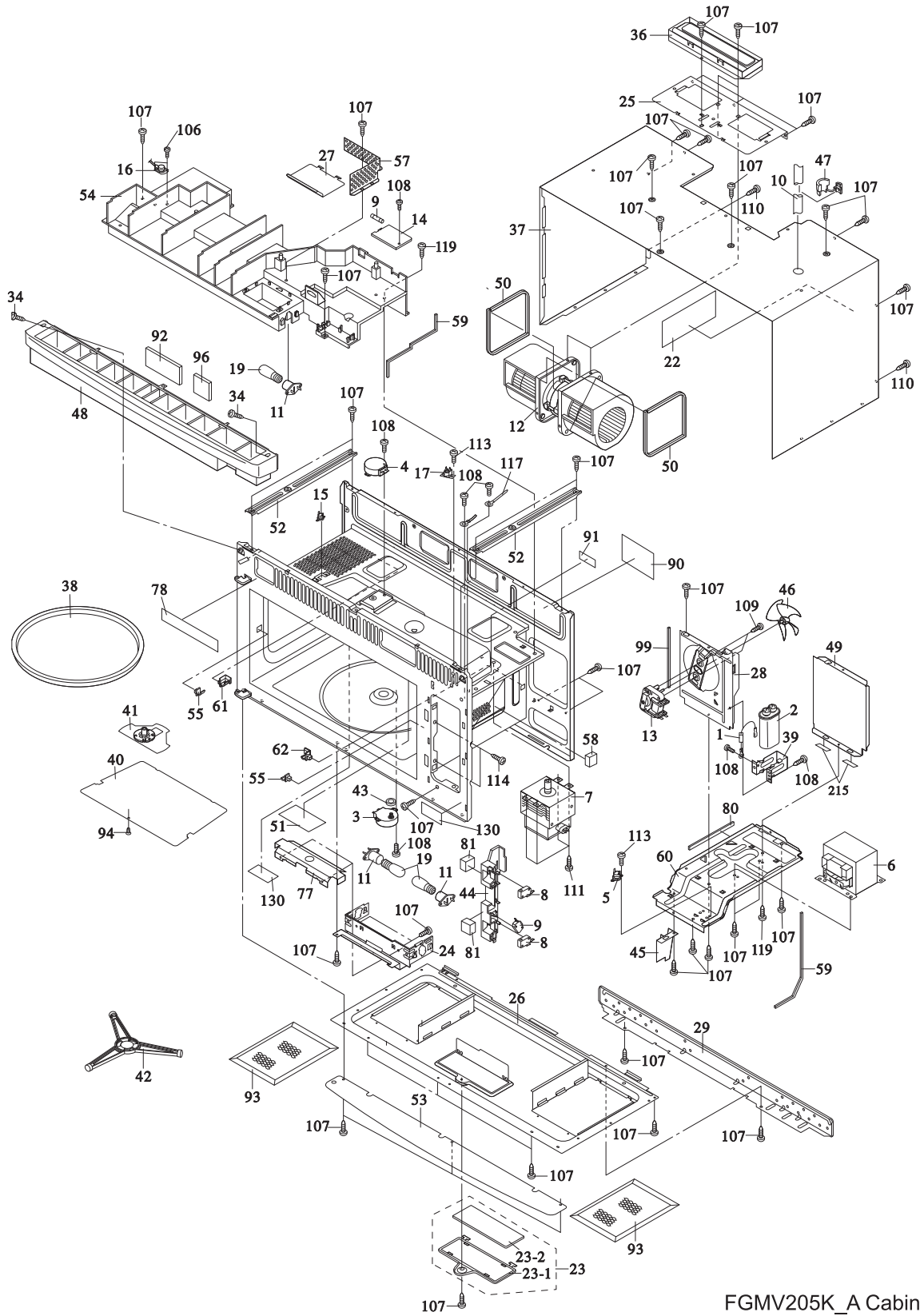
FGMV205K_A Cabinet

OVEN, CABINET

Model Index: A FGMV205K (FGMV205KBA)
 B FGMV205K (FGMV205KFA)
 C FGMV205K (FGMV205KWA)

POS. NO	PART NO.		DESCRIPTION
1 #	5304485651	A B C	Rectifier, high voltage
2 #	5304467671	A B C	Capacitor, high voltage
3 #	5304467690	A B C	Motor, turntable
4 #	5304467691	A B C	Motor, stirrer fan
5 #	5304440023	A B C	Thermal Cutout, hood
6 #	5304467692	A B C	Transformer, power
7 #	5304467693	A B C	Magnetron
8 #	5304467694	A B C	Switch, interlock, primary/door
9 #	5304467695	A B C	Switch, monitor, w/ceramic fuse
10 #	5304440028	A B C	Power Cord, electric
11 #	5304463785	A B C	Lampholder, socket
12 #	5304467696	A B C	Motor, hood fan
13 #	5304467697	A B C	Motor, cooling fan
14 #	5304467698	A B C	Filter, noise, electronic
15 #	5304440032	A B C	Thermal Cutout, oven cavity
16 #	5304463786	A B C	Sensor, humidity, cook control
17 #	5303319550	A B C	Fuse, magnetron
19	5304440031	A B C	Lamp, incandescent, 20 W, (3)
22	5304485687	A B C	Wiring Diagram, schematic, label
23	5303319573	A B C	Lens/Frame Assy, lamp, black
23-1	5303319574	A B C	Frame, lens holder, black
23-2	5303319575	A B C	Lens, cooktop lamp, glass
24	5304468909	A B C	Bracket, lamp housing
25	5304481341	A B C	Plate, rear stay
26	5304481385	A B C	Cover, unit base
27	5304468911	A B C	Cover, lamp, oven cavity
28	5304467708	A B C	Duct, cooling fan
29	5304467709	A B C	Bracket, unit mtg plate, rear
34	5304467710	A B C	Screw, 3 mm x 8 mm
36	5304481342	A B C	Damper Assembly, exhaust
37	5304481352	A B -	Cabinet, outer casing, black
37	5304467713	- - C	Cabinet, outer casing, white
38	5304441872	A B C	Tray, turntable, glass
39	5304477240	A B C	Retainer, capacitor strap
40	5304467715	A B C	Cover, stirrer fan
41 #	5304475705	A B C	Stirrer Assembly
42	5304467717	A B C	Support Assy, turntable, roller
43	5304467718	A B C	Bushing, motor shaft, turntable
44	5304440289	A B C	Latch Hook
45	5304467719	A B C	Cover, wiring harness
46 #	5304467720	A B C	Fan Blade, mag cooling fan
47	5304467721	A B C	Bushing, grommet, power cord
48 #	5304485652	A - -	Louver Assembly, hood, black
48 #	5304475575	- B -	Louver Assembly, hood, black
48 #	5304485653	- - C	Louver Assembly, hood, white
49	5304467725	A B C	Duct, hood intake, right side
50	5304467726	A B C	Gasket, hood fan motor, cushion
51	5304467727	A B C	Lens, lamp filter

OVEN, CABINET



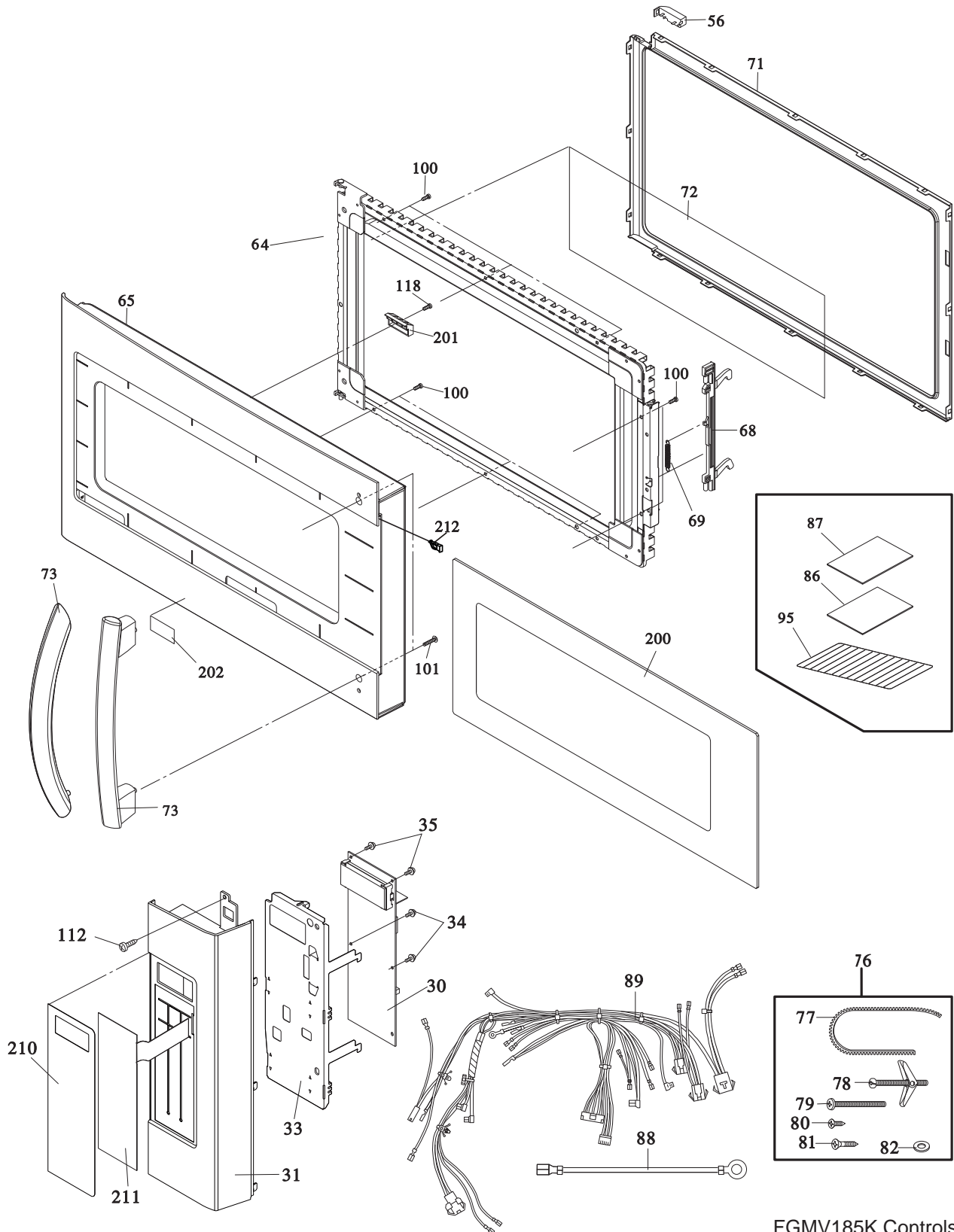
FGMV205K_A Cabinet

OVEN, CABINET

Model Index: A FGMV205K (FGMV205KBA)
 B FGMV205K (FGMV205KFA)
 C FGMV205K (FGMV205KWA)

POS. NO	PART NO.		DESCRIPTION
52	5304481343	A B C	Support, chassis
53	5304477244	A B C	Deflector
54	5304467732	A B C	Duct, exhaust hood
55	5304473092	A B C	Support, rack, front
57	5304467734	A B C	Barrier
58	5304467759	A B C	Cushion, transformer pad
59	5304467760	A B C	Cushion, intake duct, seal
60	5304467761	A B C	Plate, base, right
61	5304473093	A B C	Support, rack, left rear
62	5304473094	A B C	Support, rack, right rear
77	5304468919	A B C	Reflector, hood lamp
78	5304471813	A B C	Label, menu
80	5304467768	A B C	Cushion, base, right side, seal
81	5304467769	A B C	Cushion, latch hook, pad
90	5304467770	A B C	Label, Caution-DHHS
91	5304467771	A B C	Label, Caution-monitor
92 #	5304467772	A B C	Filter, inside exhaust, charcoal
93 #	5303319568	A B C	Filter, grease, (2)
94	5304467773	A B C	Clip, canoe type, stirrer cover
96 #	5304467774	A B C	Filter, air, charcoal
99	5304467776	A B C	Cushion, fan duct, seal
106	5304467778	A B C	Screw, 3 mm x 8 mm
107	5304451552	A B C	Screw, 4 mm x 8 mm, silver
107	5304467777	A B C	Screw, 4 mm x 8 mm, black
108	5304451550	A B C	Screw, 4 mm x 8 mm
109	5304450253	A B C	Screw, 4 mm x 8 mm
110	5304451557	A B C	Screw, 4 mm x 12 mm
111	5304467780	A B C	Screw, 4 mm x 8 mm, Tap Tight
113	5304467781	A B C	Screw, 3 mm x 6 mm
114	5303319641	A B C	Screw
117	5304468921	A B C	Holder, wire
119	5304485655	A B C	Screw, special
130	5304468191	A B C	Label, Caution-DHHS
215	5304485654	A B C	Cushion, intake duct

CONTROL PANEL, DOOR, MISC.



FGMV185K Controls-1

CONTROL PANEL,DOOR,MISC.

Model Index: A FGMV205K (FGMV205KBA)
 B FGMV205K (FGMV205KFA)
 C FGMV205K (FGMV205KWA)

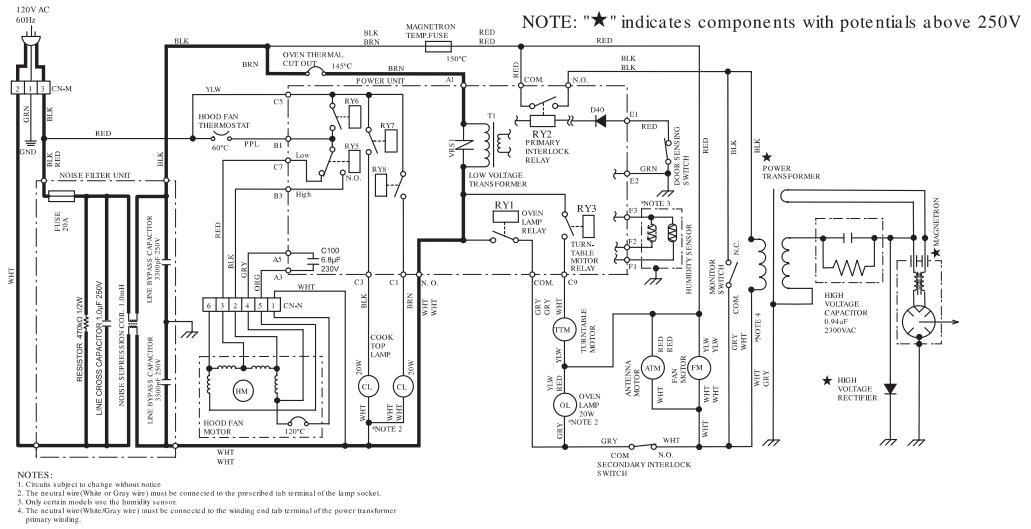
POS. NO	PART NO.		DESCRIPTION
30 #	5304481407	A B C	Control Board, printed circuit
31	5304472038	A - -	Cover, control panel, black
31	5304472036	- B -	Cover, control panel, black/stainless
31	5304472037	- - C	Cover, control panel, white
33	5304475788	A B C	Panel, control mount
34	5304467710	A B C	Screw, 3 mm x 8 mm
35	5304456930	A B C	Screw, 3 mm x 10 mm
56	5304463156	A B C	Door Stop
64	5304467789	A B -	Panel, inner door, black
64	5304468946	- - C	Panel, inner door, white
65	5304472045	A - -	Frame, door, black, w/glass
65	5304472052	- B -	Frame, door, black/stainless, Gallery, w/glass
65	5304472044	- - C	Frame, door, white, w/glass
68	5304467798	A B C	Latch, door
69	5304440316	A B C	Spring, door latch
71	5304467802	A B C	Frame, choke cover, inner door
72	5304467803	A B C	Seal, door, film
73	5304472047	A - -	Handle, door, black, Gallery
73	5304472054	- B -	Handle, door, stainless, Gallery
73	5304472046	- - C	Handle, door, white, Gallery
76	5304467765	A B C	Hardware Kit, installation
77	5303318761	A B C	Sleeve, power cord, grommet
78	5303318762	A B C	Screw, toggle
79	5304481344	A B C	Screw, machine
80	5304451552	A B C	Screw, 4 mm x 8 mm, silver
81	5304453723	A B C	Screw, 5mm x 35mm
82	5304453724	A B C	Washer
86	5304467832	A B C	Template, installation, top
87	5304481351	A B C	Template, installation, wall
88 #	5304467828	A B C	Wire, ground
89 #	5304468945	A B C	Wiring Harness, main
95	5304463180	A B C	Rack, microwave oven, wire
100	5304468930	A B C	Screw, 4 mm x 10 mm
101	5304468931	A B C	Screw, 4 mm x 15 mm
112	5304451553	A B C	Screw, 4 mm x 12 mm
118	5304451561	A B C	Screw, 4 mm x 8 mm
200	5304472049	A B -	Glass, door, black
200	5304472048	- - C	Glass, door, white
201	5304467794	A B C	Clip, glass retainer, door
202	5304471837	A B C	Badge, nameplate, Gallery
210	5304472041	A B -	Overlay, touch control, black
210	5304472042	- - C	Overlay, touch control, white
211#	5304472043	A B C	Touch Control, key pad
212	5304473837	A - -	Cap, door glass clip, black
212	5304473836	- - C	Cap, door glass clip, white

WIRING DIAGRAM

OVEN SCHEMATIC

SCHEMATIC
 NOTE: CONDITION OF OVEN
 1. DOOR CLOSED.
 2. CLOCK APPEARS ON DISPLAY

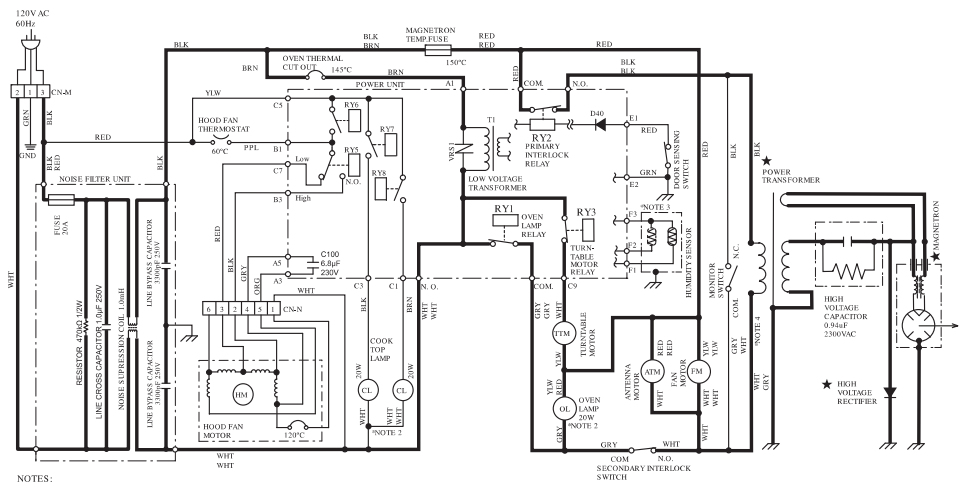
NOTE: "★" indicates components with potential above 250V



NOTES:
 1. Circuits subject to change without notice.
 2. The neutral wire (White or Grey) wire must be connected to the prescribed tab terminal of the lamp socket.
 3. Only certain models use the humidity sensor.
 4. The neutral wire (White/Grey wire) must be connected to the winding end tab terminal of the power transformer primary winding.

Figure O-1. Oven Schematic-Off Condition

SCHEMATIC
 NOTE: CONDITION OF OVEN
 1. DOOR OPENED.
 2. COOKING TIME PROGRAMMED.
 3. VARIABLE COOKING CONTROL "HIGH".
 4. START PAD TOUCHED.



NOTES:
 1. Circuits subject to change without notice.
 2. The neutral wire (White or Grey) wire must be connected to the prescribed tab terminal of the lamp socket.
 3. Only certain models use the humidity sensor.
 4. The neutral wire (White/Grey wire) must be connected to the winding end tab terminal of the power transformer primary winding.

Figure O-2. Oven Schematic-Cooking Condition