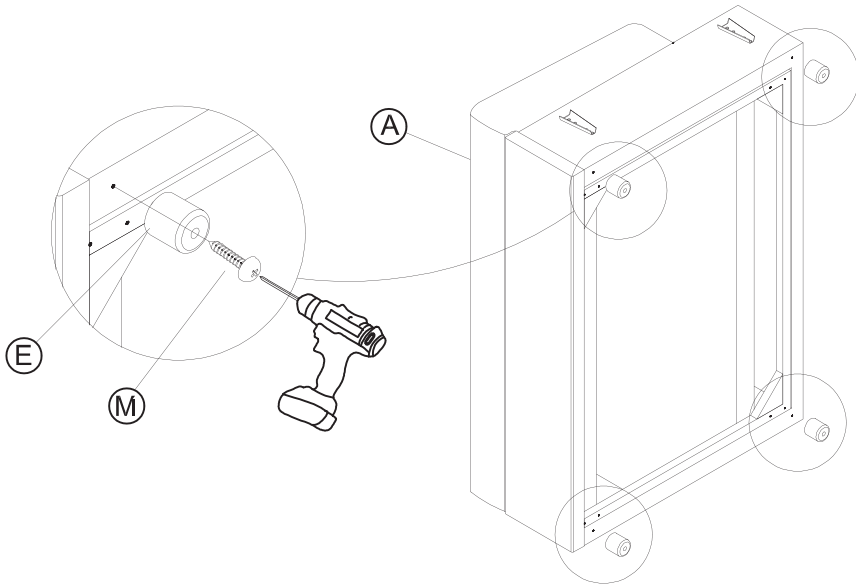


ASSEMBLY INSTRUCTION

Model :U0203-RAF SOFA BED W/USB Description : RIGHT FACING SOFA BED WITH USB PORT AND U0203-LAF CHAISE 2 ARM / LEFT FACING CHAISE WITH STORAGE

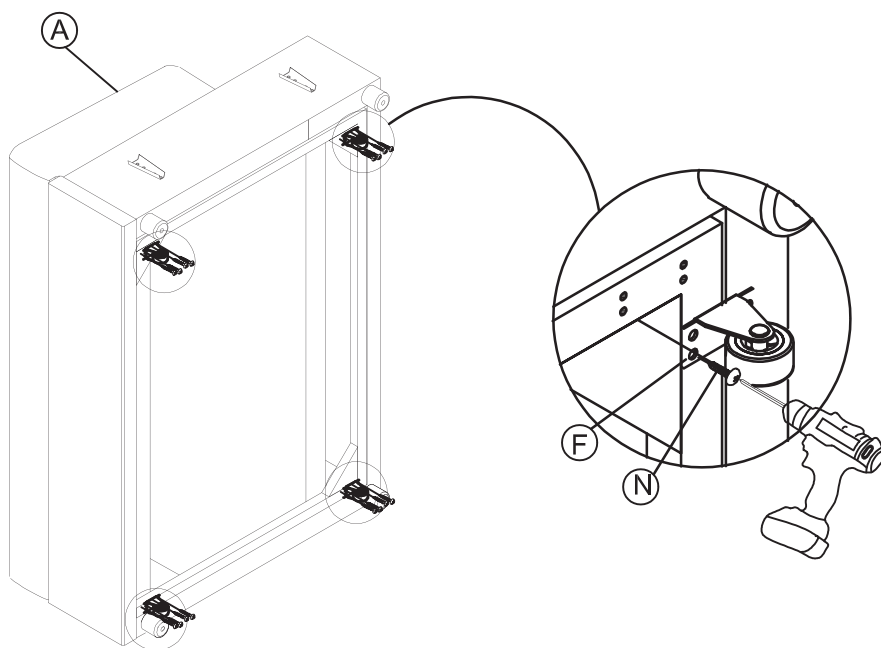
Thank you for purchasing this quality product. Be sure to check all packing material carefully for small parts that may have come loose inside the carton during shipment.

Step 1:



Screw up the round leg (E) into pop-up sleeper seat (A)

Step 2:



Screw up the rotating wheel (F) into the pop-up sleeper seat (A)

SOFA BED

PART LIST :

No.	Description	Diagram	Quantity
A	POP-UP SLEEPER SEAT		1
B	RSF ARM		1
H	LSF ARM		1
D	BACK CUSHION		1
E	ROUND LEG		6
F	ROTATING WHEEL		4
K	BACK CUSHION		1

CHAISE

No.	Description	Diagram	Quantity
G	CHAISE SEAT		1
C	BACK REST		1
I	BACK REST		1
L	RECTANGLE LEG		2

HARDWARE LIST :

No.	Description	Diagram	Size	Quantity
M	SCREW		Ø8x45mm	10
N	SCREW		Ø8x25mm	16



Not Included

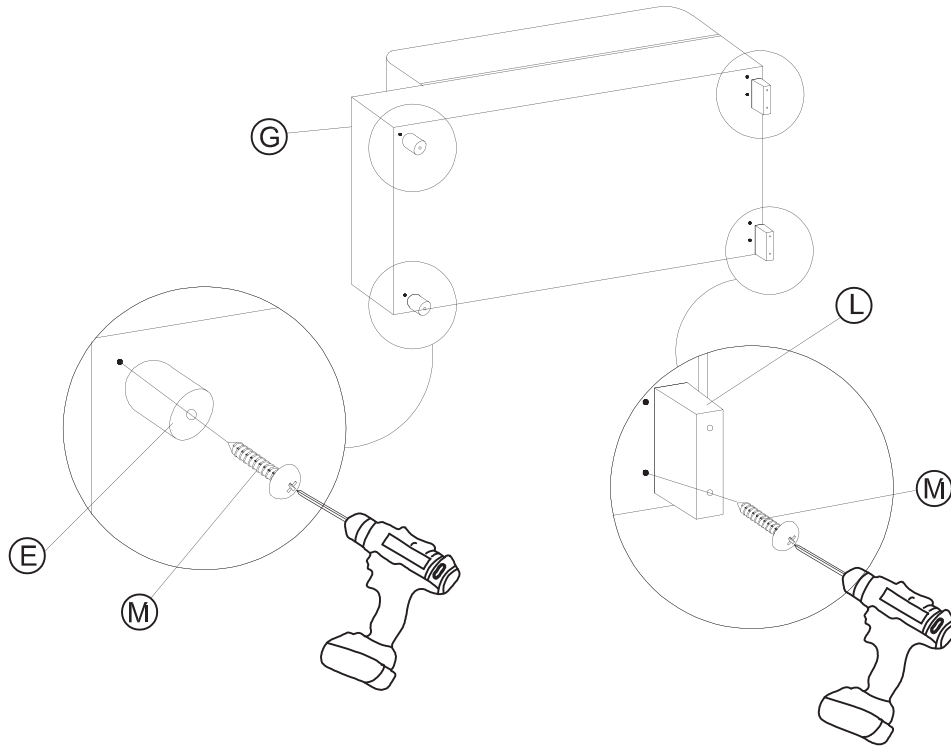
Made In Vietnam

ASSEMBLY INSTRUCTION

Model :U0203-RAF SOFA BED W/USB Description : RIGHT FACING SOFA BED WITH USB PORT AND
U0203-LAF CHAISE 2 ARM / LEFT FACING CHAISE WITH STORAGE

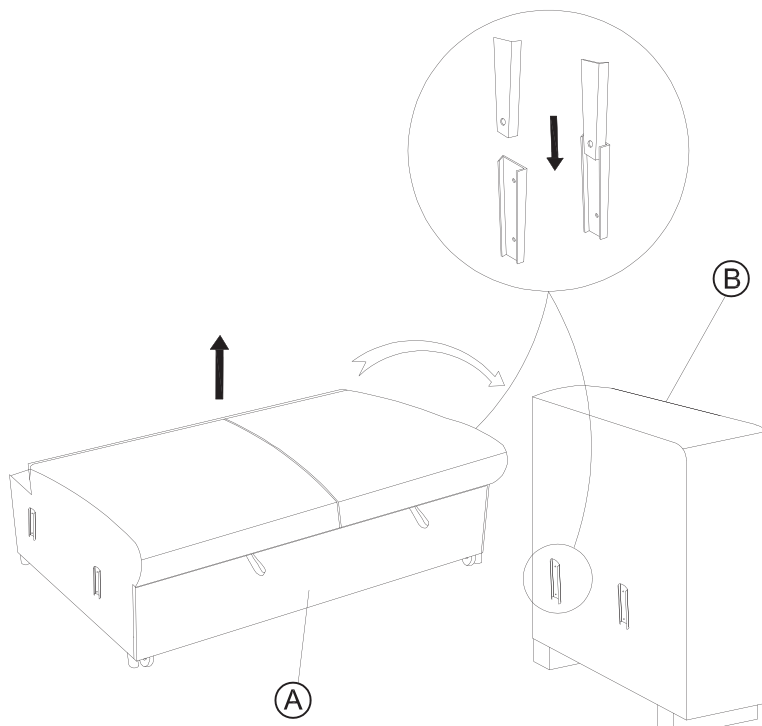
Thank you for purchasing this quality product. Be sure to check all packing material carefully for small parts that may have come loose inside the carton during shipment.

Step 3:



Screw up the round leg (E) and rectangle leg (L) into chaise seat (G)

Step 4:



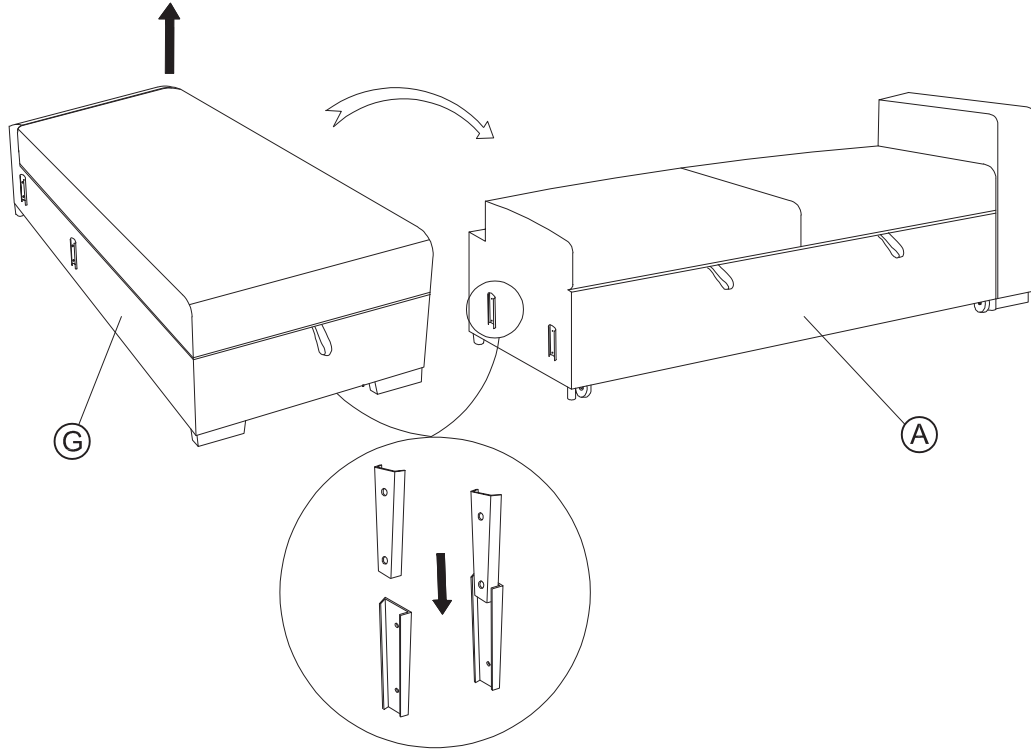
Slide pop-up sleeper seat (A) with RSF arm (B)

ASSEMBLY INSTRUCTION

Model :U0203-RAF SOFA BED W/USB Description : RIGHT FACING SOFA BED WITH USB PORT AND
U0203-LAF CHAISE 2 ARM / LEFT FACING CHAISE WITH STORAGE

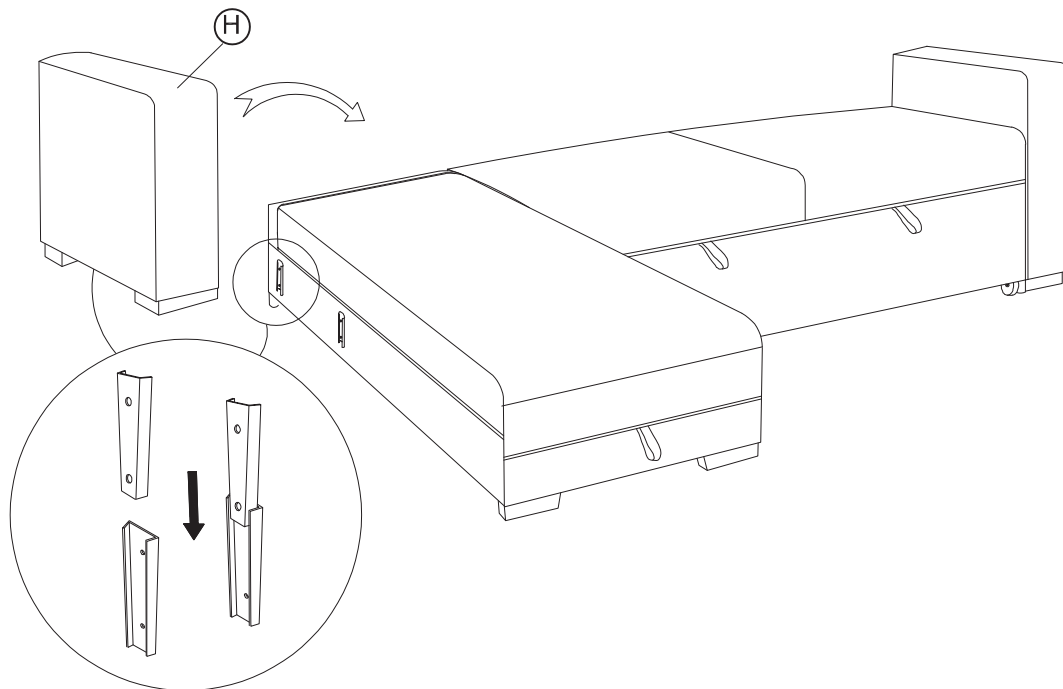
Thank you for purchasing this quality product. Be sure to check all packing material carefully for small parts that may have come loose inside the carton during shipment.

Step 5:



Slide chaise seat (G) with pop-up sleeper seat (A)

Step 6:



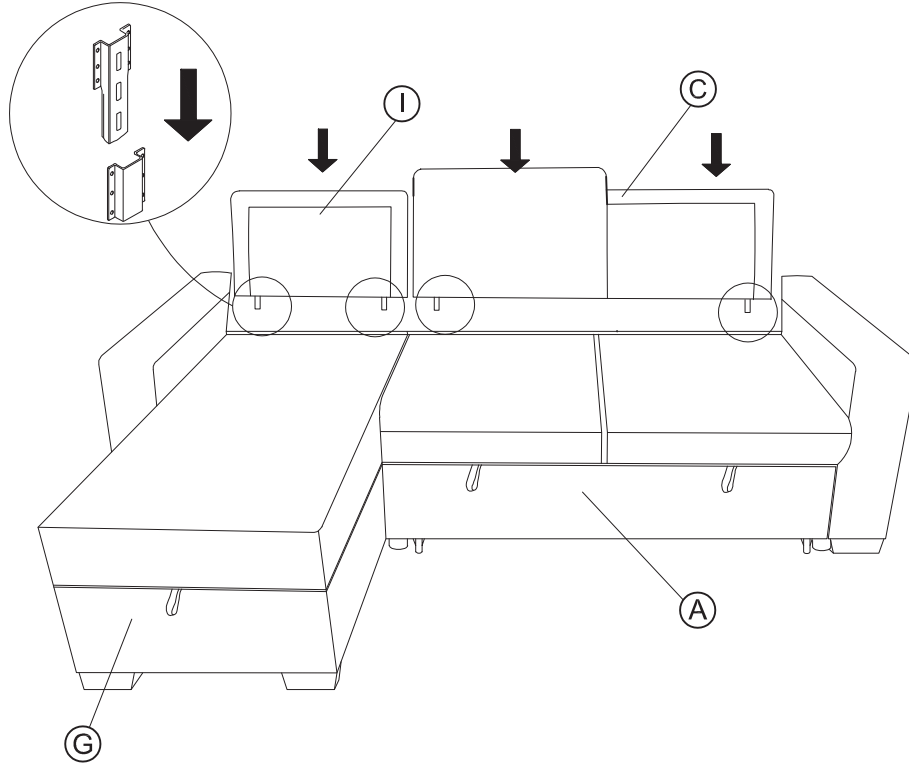
Slide LSF arm (H) with chaise seat (G)

ASSEMBLY INSTRUCTION

Model :U0203-RAF SOFA BED W/USB Description : RIGHT FACING SOFA BED WITH USB PORT AND
U0203-LAF CHAISE 2 ARM / LEFT FACING CHAISE WITH STORAGE

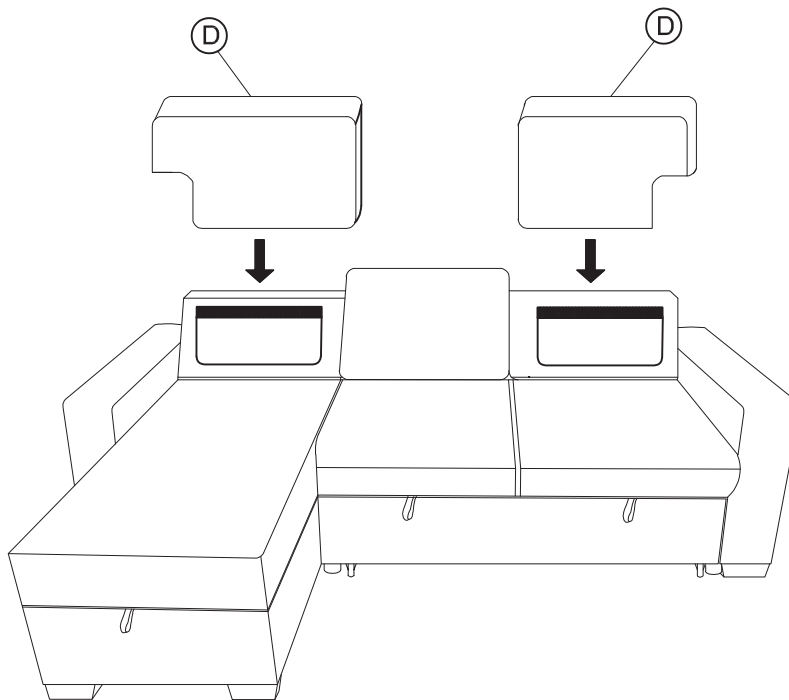
Thank you for purchasing this quality product. Be sure to check all packing material carefully for small parts that may have come loose inside the carton during shipment.

Step 7:



Slide back rest (I) and (C) with chaise seat (G) and pop-up sleeper seat (C)

Step 8:



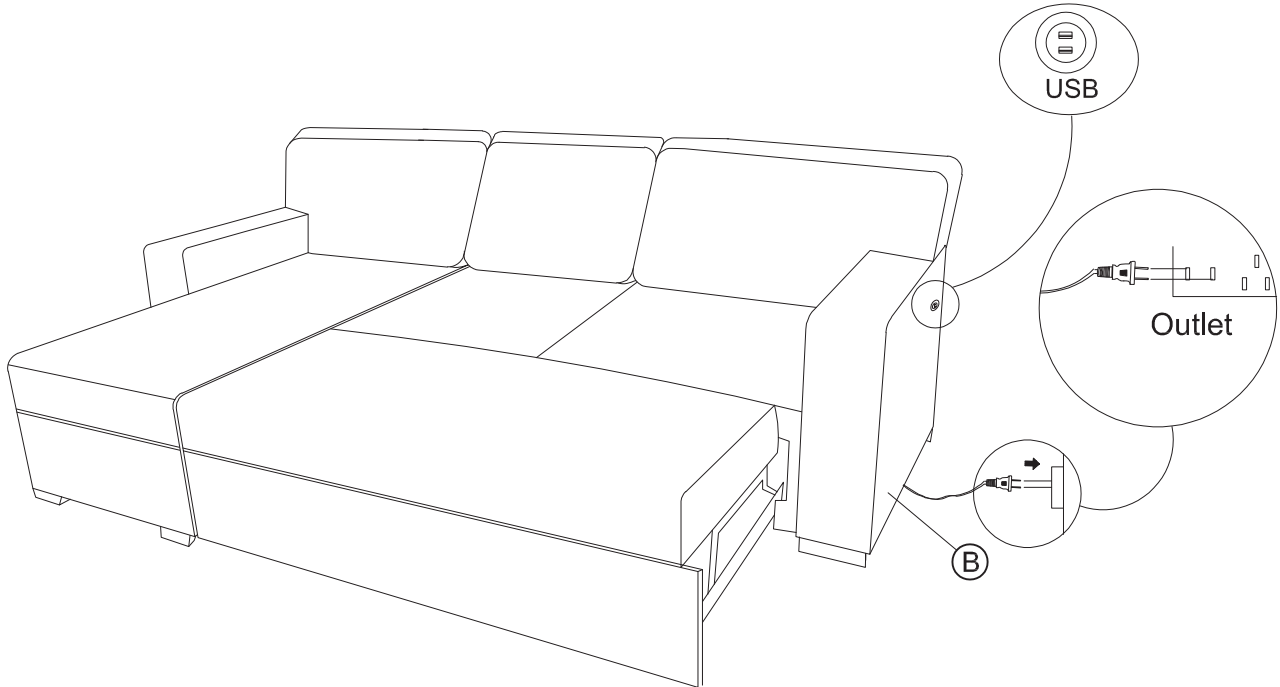
Put back pillow (D) on the chaise seat (G) and pop-up sleeper seat (C)

ASSEMBLY INSTRUCTION

Model :U0203-RAF SOFA BED W/USB Description : RIGHT FACING SOFA BED WITH USB PORT AND
U0203-LAF CHAISE 2 ARM / LEFT FACING CHAISE WITH STORAGE

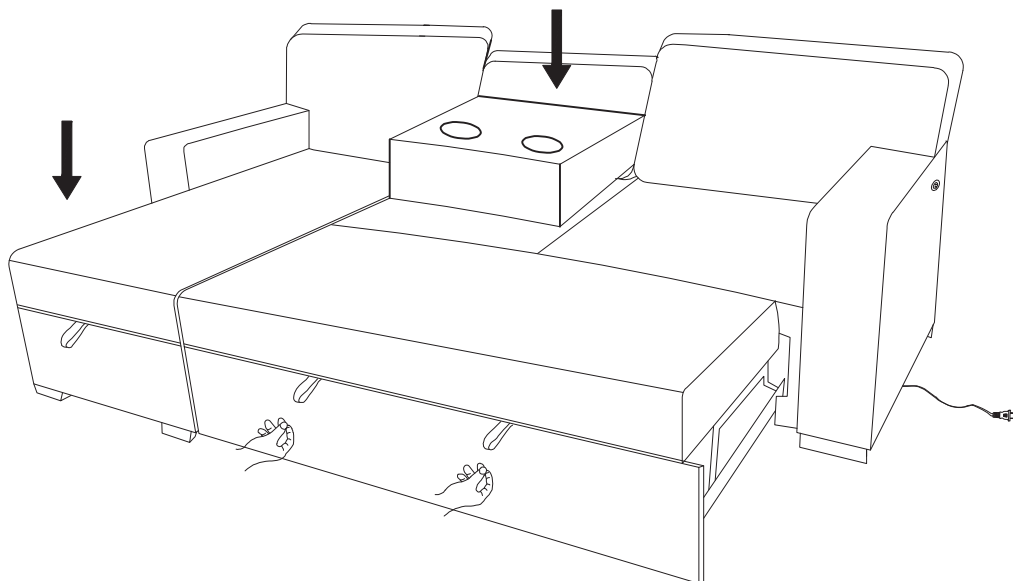
Thank you for purchasing this quality product. Be sure to check all packing material carefully for small parts that may have come loose inside the carton during shipment.

Step 9:



Pull out USB port from RSF arm (B)

Step 10:



The middle is drop down table,can pull it. Finally, we finish set-up this sofa

Made In Vietnam