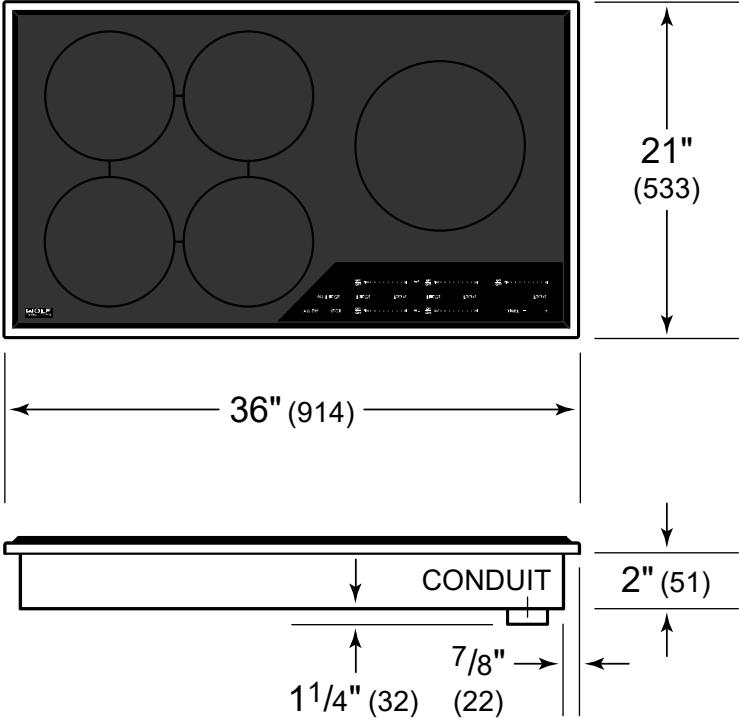
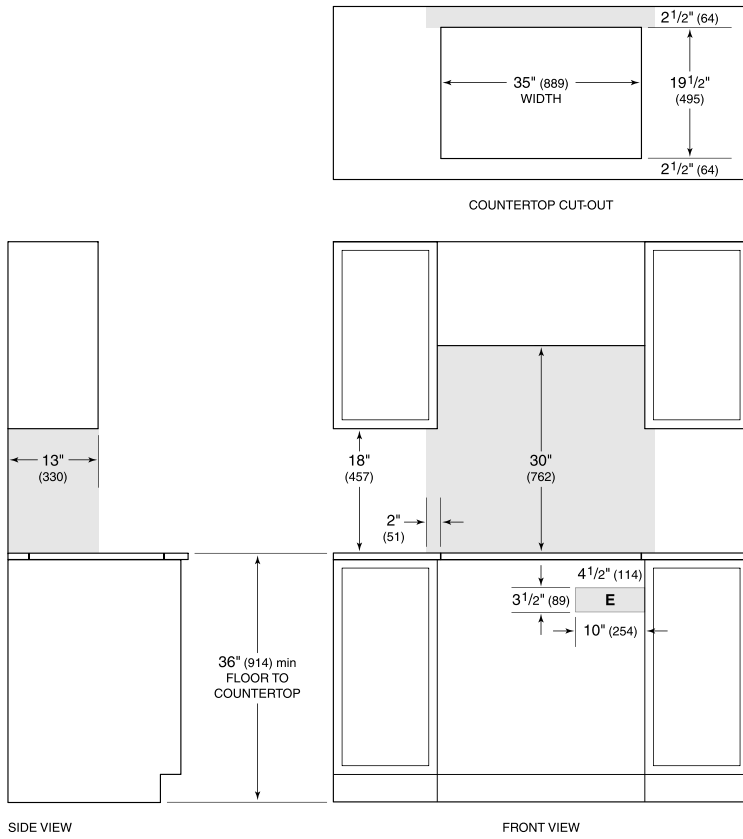


Dimensions



Standard Installation



NOTE: Shaded area above countertop indicates minimum clearance to combustible surfaces, combustible materials cannot be located within this area.
 Electrical supply location only applies to installations with built-in oven.

Electrical Requirements

Electrical Requirements

Electrical Supply 3-wire, 240/208 VAC, 60 Hz

Electrical Service 50 amp dedicated circuit

Electrical Location Illustration

