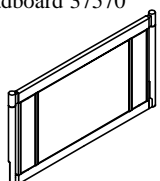


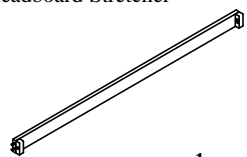







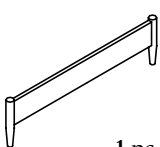
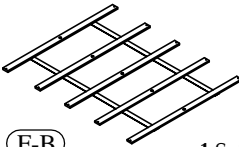
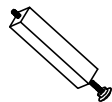
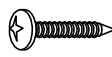
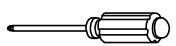
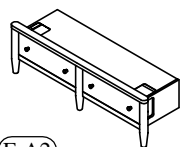

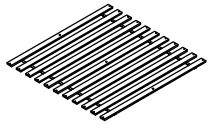
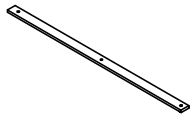
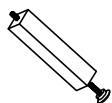




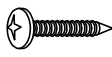
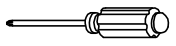
Warning :

- Be sure to check all packing material carefully for small parts, which may have come loose inside the carton during shipment.
- To prevent possible scratches and damage, this furniture **MUST BE ASSEMBLED BY TWO PEOPLE** on a soft surface such as a blanket or carpet.

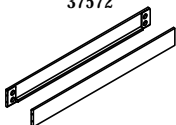




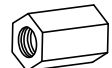

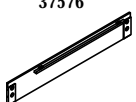
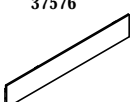




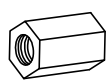

Hardware and Parts packed with the Headboard

| | | | | |
|---|---|--|---|---|
| Panel Headboard 37570  (H-A) 1 pc. | Headboard Post (Left)  (H-B) 1 pc. | Headboard Post (Right)  (H-C) 1 pc. | Headboard Stretcher  (H-D) 1 pc. | |
| $\phi 5/16"$ -18 x 2" Allen Head Bolt  (H-E) 6 pcs. | $\phi 5/16"$ -18 x 1-3/4" Allen Head Bolt  (H-F) 2 pcs. | $\phi 5/16"$ Spring Washer  (H-G) 8 pcs. | $\phi 5/16"$ x 19*2mm Flat Washer  (H-H) 8 pcs. | 5mm Allen Key  (H-I) 1 pc. |

Hardware and Parts packed with the Footboard

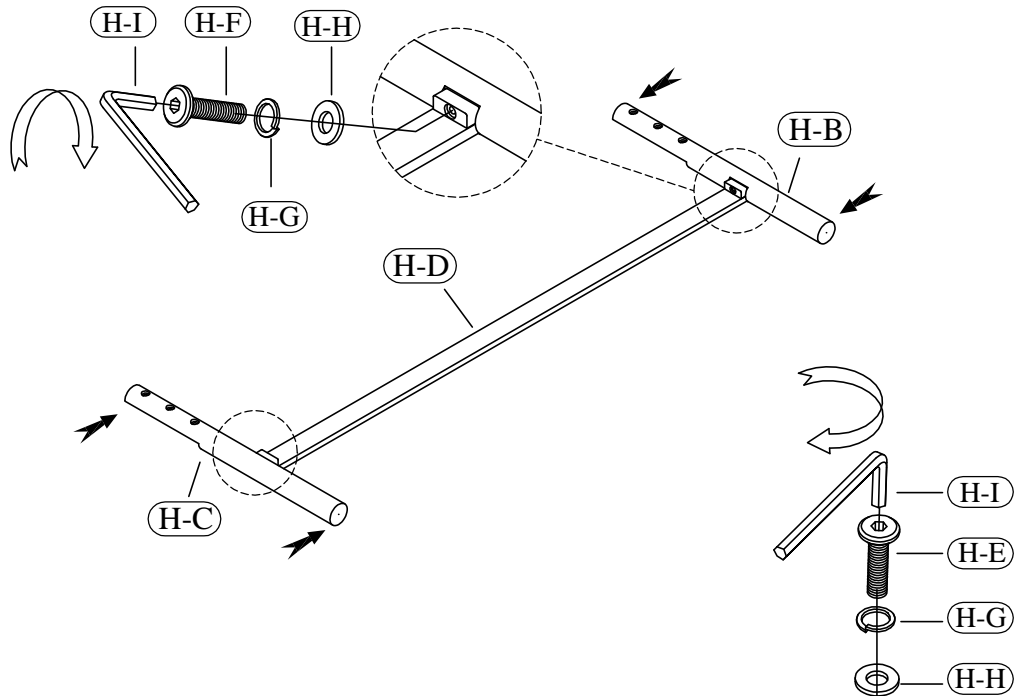
| | | | | | |
|--|---|--|--|--|--|
| Panel Footboard 37571  (F-A1) 1 pc. | Wood Slat 61-1/2" long  (F-B) 1 Set. | Slat Support Leg (D) 9-1/4" x (W)1- 1/4"(H) 1- 1/4"  (F-C) 5 pcs. | #8 x 1" Wood Screw  (F-D) 10 pcs. | Screw Driver not included  | |
| Storage Footboard 37573  (F-A2) 1 pc. | Storage Support leg (D) 9-3/4" x (W)1- 1/2"(H) 1-1/2"  (F-B) 2 pcs. | Wood Slat 61-1/2" Long  (F-C) 1 Set. | Center Slat Support Rail (D) 59-1/2" x (W)2- 3/4"(H) 3/4"  (F-D) 1 pc. | Slat Support Leg (D) 16-3/4" x (W)1- 1/4"(H) 1- 1/4"  (F-E) 3 pcs. | $\phi 5/16"$ -18 x 1- 1/2" Allen Head Bolt  (F-F) 4 pcs. |
| $\phi 5/16"$ Spring Washer  (F-G) 4 pcs. | $\phi 5/16"$ x 19*2mm Flat Washer  (F-H) 4 pcs. | 5mm Allen Key  (F-I) 1 pc. | #8 x 1" Wood Screw  (F-J) 22 pcs. | Screw Driver not included  | |

Hardware and Parts packed with the Bed Rail

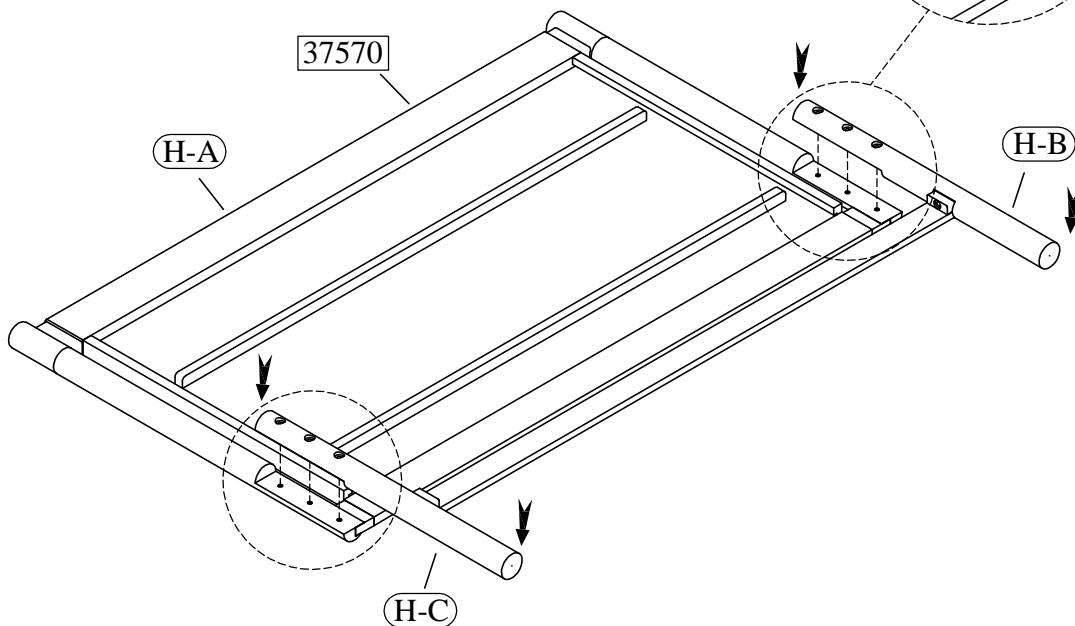
| | | | | | | |
|---|--|--|--|--|--|--|
| Panel Bed Rails 37572  (R-A1) 2 pcs. | $\phi 5/16$ -18 x 3-1/2" All-Thread Bolt  (R-B) 8 pcs. | $\phi 5/16"$ Curved Washer  (R-C) 8 pcs. | $\phi 5/16"$ x 16*2mm Flat Washer  (R-D) 8 pcs. | $\phi 5/16"$ Spring Washer  (R-E) 8 pcs. | $\phi 5/16$ x L17 Nut  (R-F) 8 pcs. | Open Wrench 12mm  (R-G) 1 pc. |
| Storage Bed Rails (Left) 37576  (R-A2) 1 pc. | Storage Bed Rails (Right) 37576  (R-A3) 1 pc. | $\phi 5/16$ -18 x 3-1/2" All-Thread Bolt  (R-B) 8 pcs. | $\phi 5/16"$ Curved Washer  (R-C) 8 pcs. | $\phi 5/16"$ x 16*2mm Flat Washer  (R-D) 8 pcs. | $\phi 5/16"$ Spring Washer  (R-E) 8 pcs. | $\phi 5/16$ x L17 Nut  (R-F) 8 pcs. |
| Open Wrench 12mm  (R-G) 1 pc. | <p>5/0 Queen Bed 37570 -- 5/0 Woven Headboard 37571 -- 5/0 Panel Footboard 37572 -- 5/0-6/6 Panel Siderails</p> | | <p>5/0 Queen Storage Bed 37570 -- 5/0 Panel Headboard 37573 -- 5/0 Storage Footboard 37576 -- 5/0-6/6 Storage Bed Rails</p> | | | |

Queen Bed
37570 -- 5/0 Woven Headboard

STEP 1



STEP 2

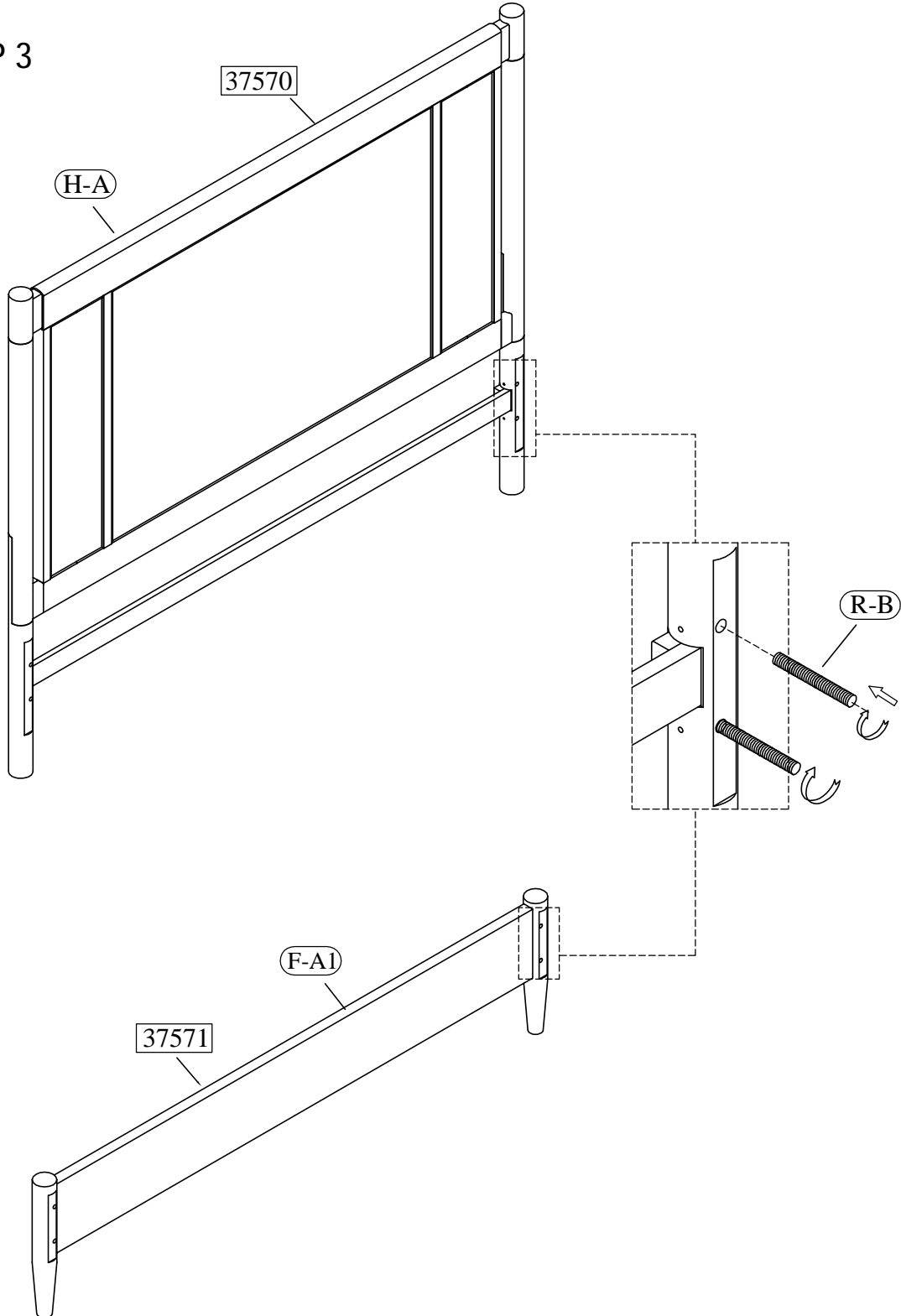


Queen Bed

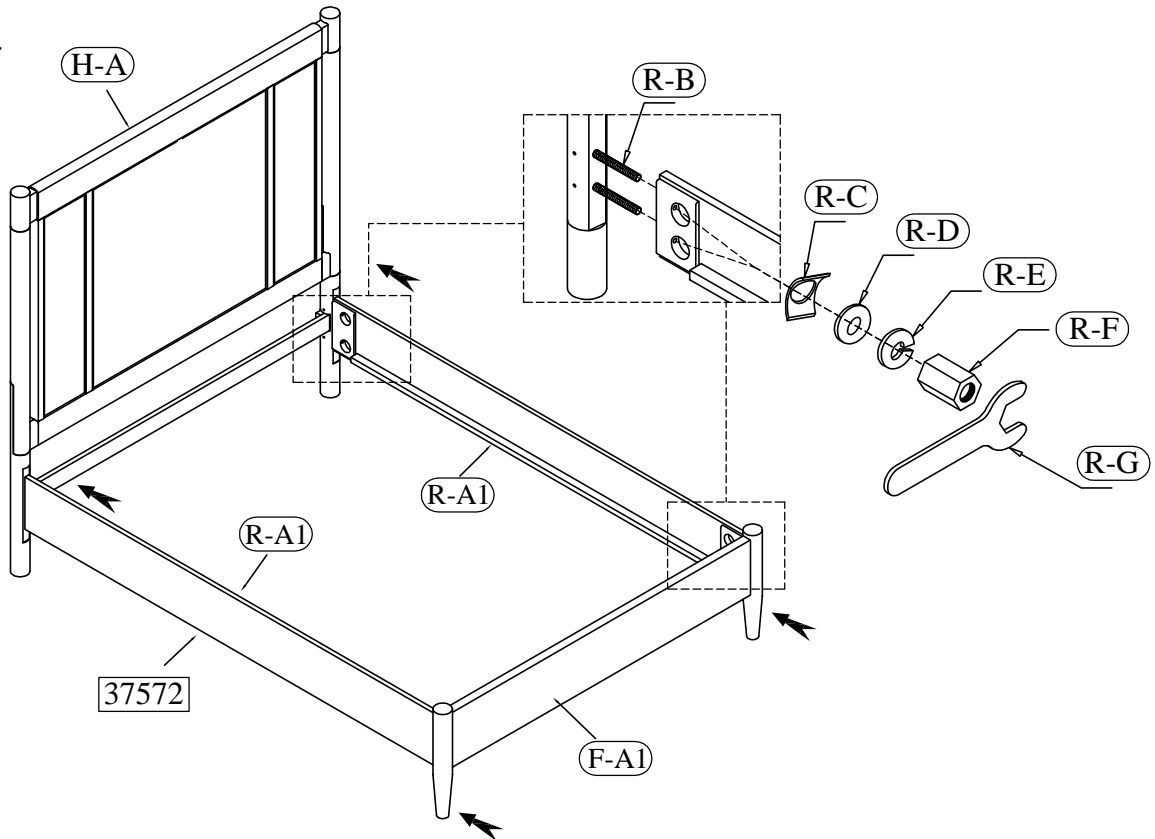
37570 -- 5/0 Woven **Headboard**

37571 -- 5/0 Panel **Footboard**

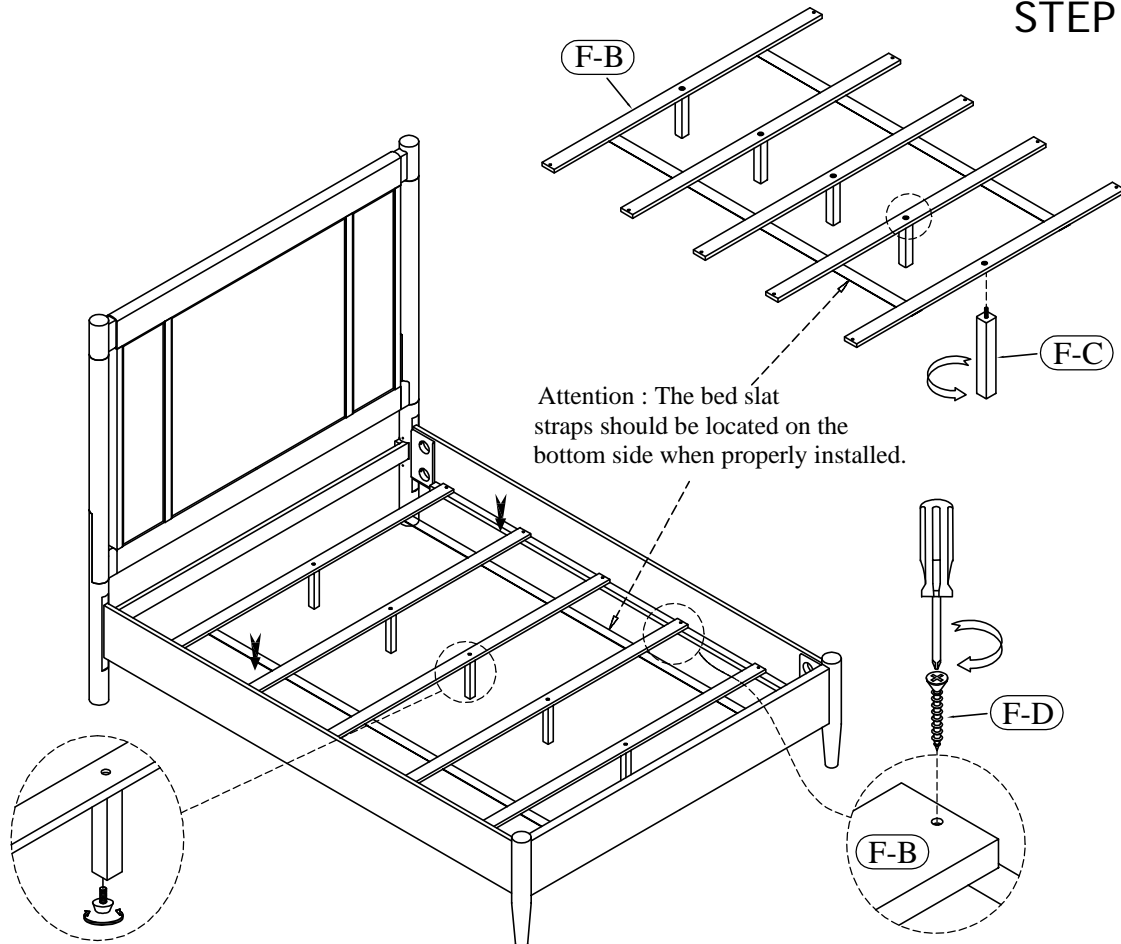
STEP 3



STEP 4



STEP 5



STEP 6

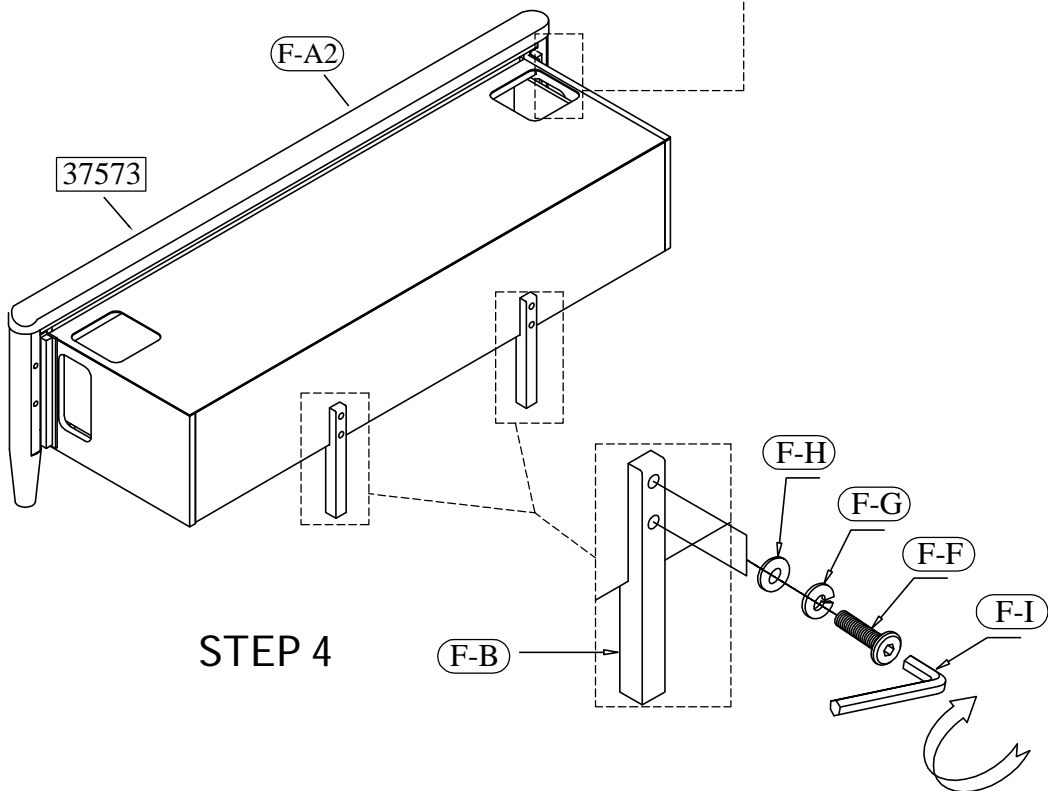
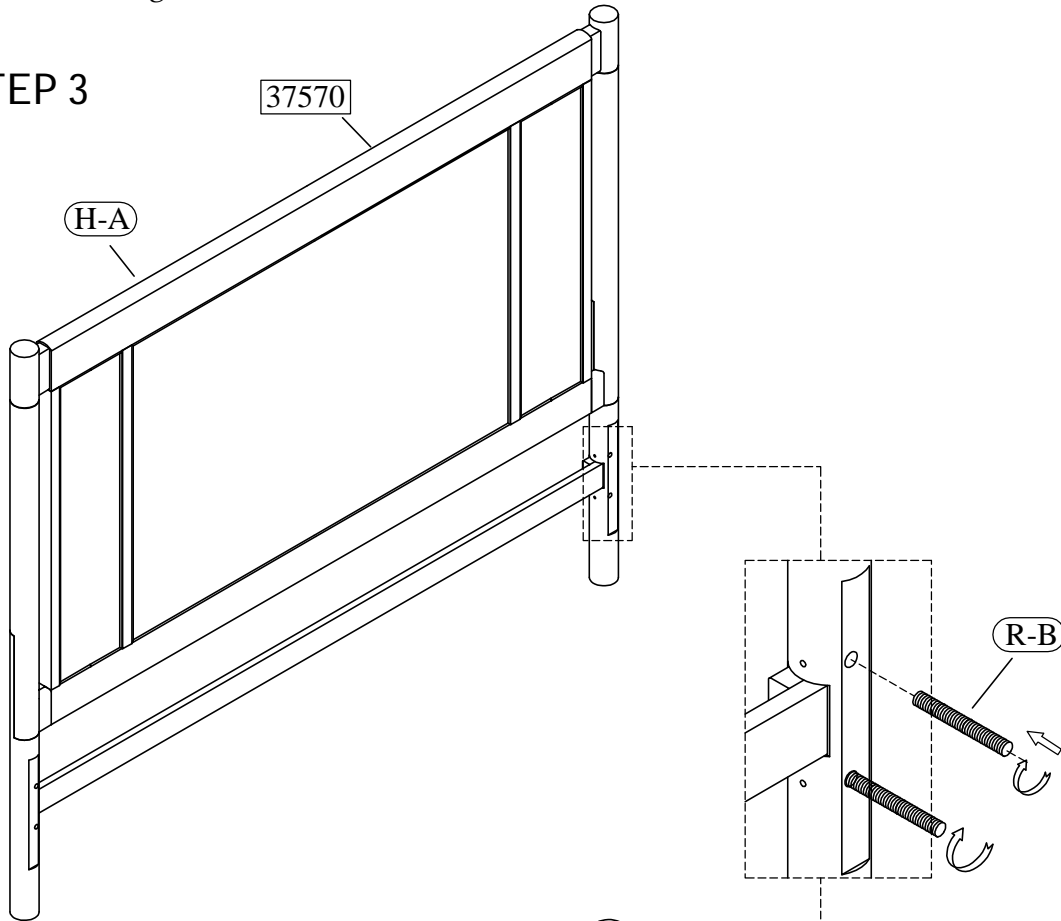
Adjustable Leveler

Queen Bed

37570 -- 5/0 Panel Headboard

37573 -- 5/0 Storage Footboard

STEP 3



STEP 4

Queen Storage Bed

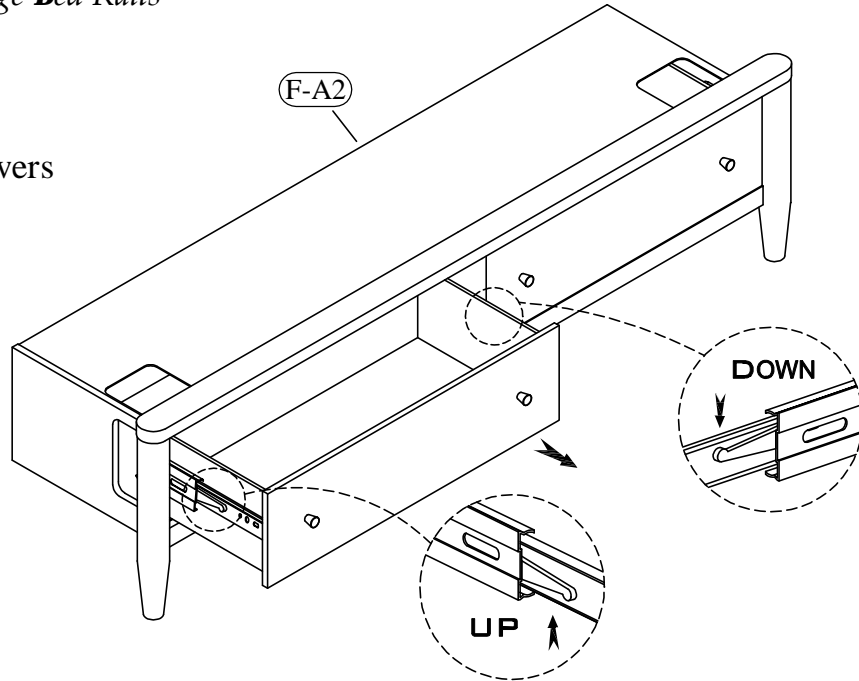
37570 -- 5/0 Panel **H**eadboard

37573 -- 5/0 Storage **F**ootboard

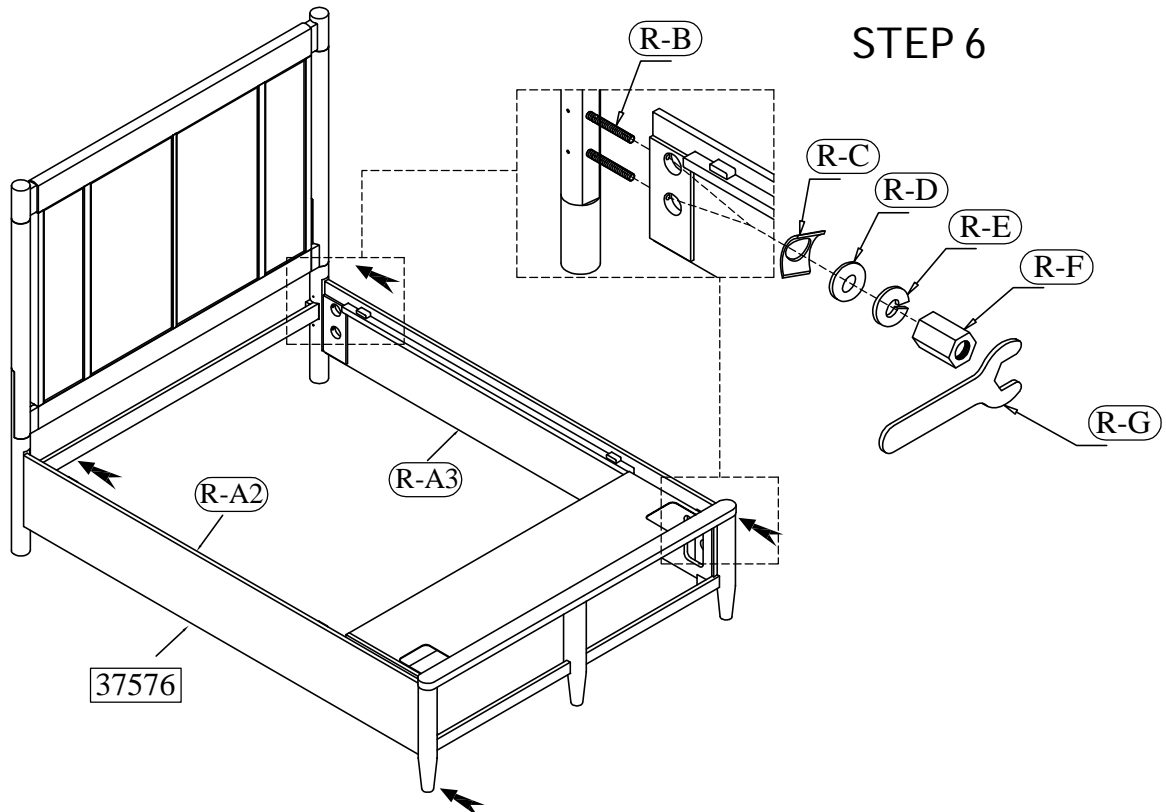
37576 -- 5/0-6/6 Storage **B**ed Rails

STEP 5

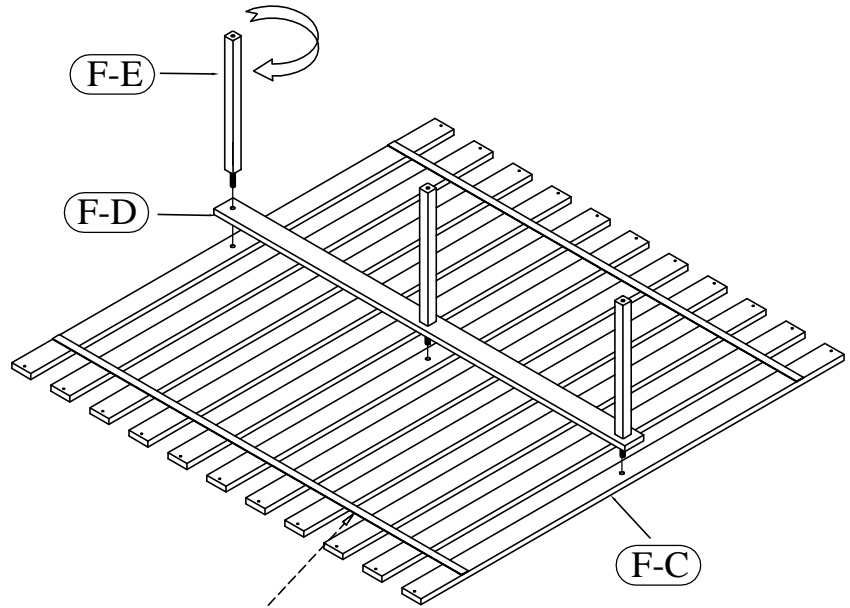
Remove both drawers



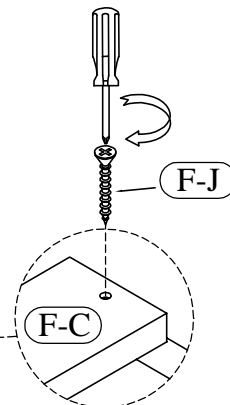
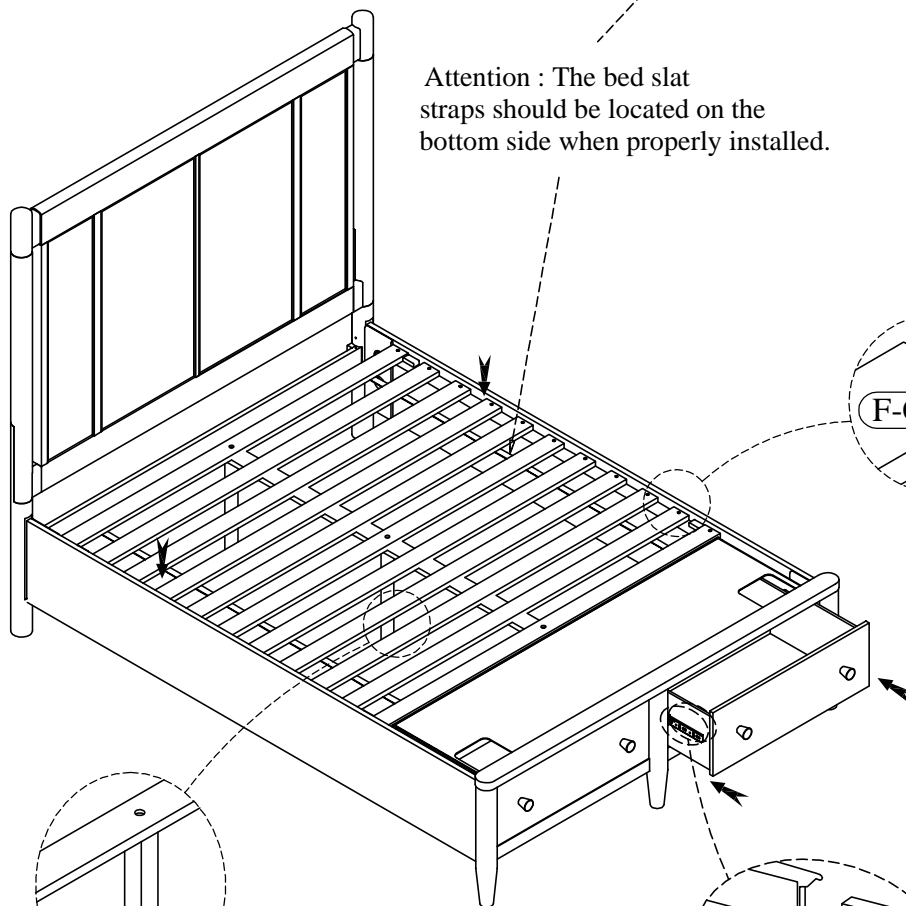
STEP 6



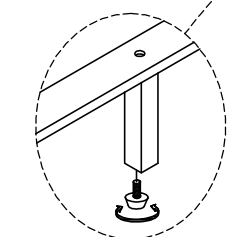
STEP 7



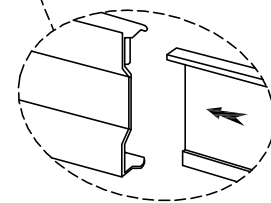
Attention : The bed slat straps should be located on the bottom side when properly installed.



STEP 8



Adjustable Leveler



STEP 9

Attach both drawers

5/0 Queen Bed
37570 -- 5/0 Panel Headboard

