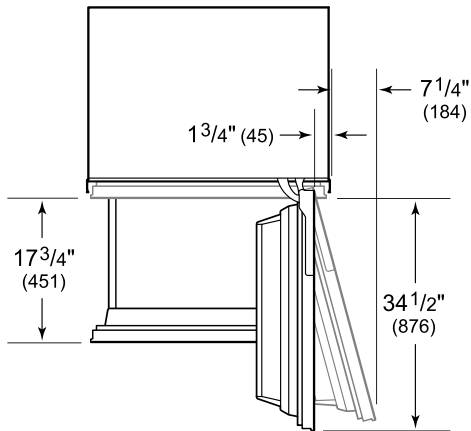
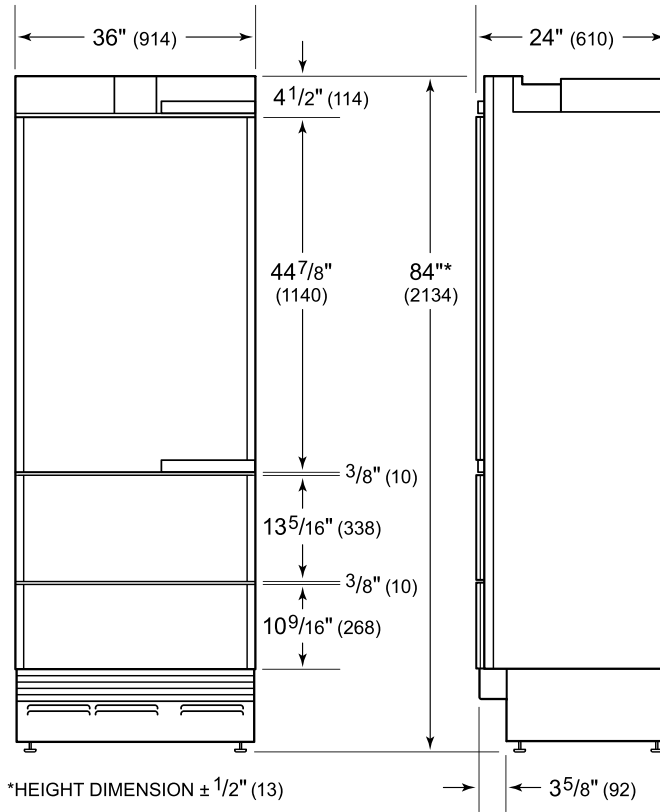
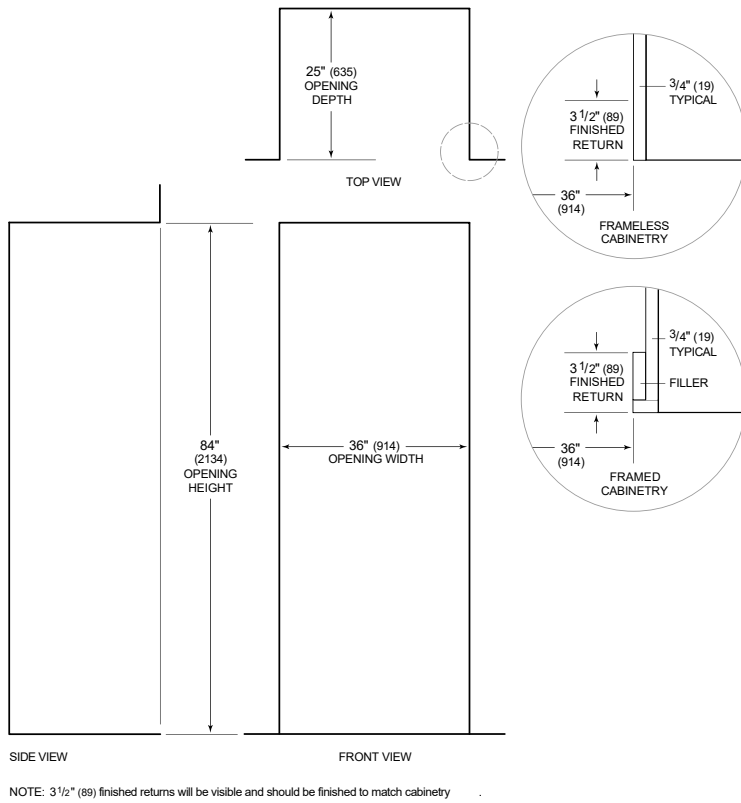


# Dimensions



# Standard Installation

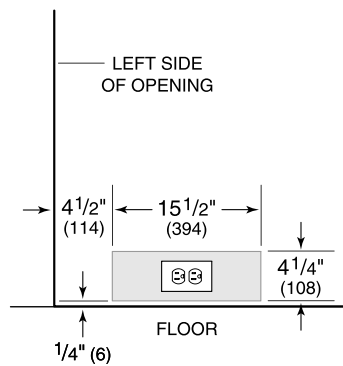


# Electrical Requirements

## Electrical Requirements

Electrical Supply 115 VAC, 60 Hz  
 Electrical Service 15 amp dedicated circuit

## Electrical Location Illustration

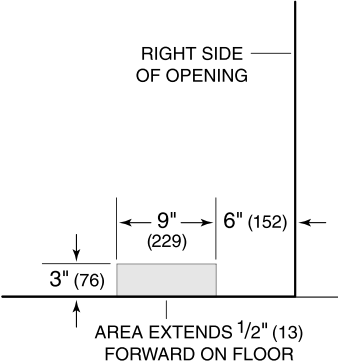


# Plumbing Requirements

## Plumbing Requirements

Plumbing Supply 1/4" OD copper, braided stainless steel or PEX tubing  
Plumbing Pressure 35–120 psi

## Plumbing Supply Illustration



# Interior View

