

Dishwasher

CD. A13799846

Installation Instructions

INSTALLER: Leave *Installation Instructions* with owner.
OWNER: Read your dishwasher *Use and Care Manual*. It contains important safety information for operating this appliance. It also has many suggestions for getting the best results from your dishwasher.

Before You Begin

Read all instructions before installing dishwasher.

For your safety, please read and observe all safety instructions. This guide will help you anticipate drain, water, and electrical connections, and help you select the best location for the dishwasher.

The dishwasher is provided with water heating feature.

The dishwasher is intended for connection to hot water supply.

WARNING

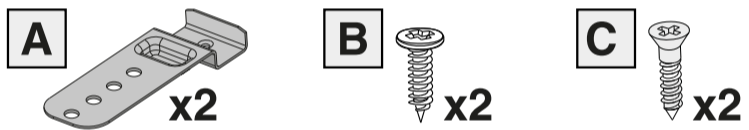
Tip Over Hazard
 Do not use dishwasher until completely installed.
 Do not push down on open door.
 Failure to follow this warning can result in serious injury.

WARNING

Cut Hazard
 To prevent serious injury from sharp edges, wear work gloves when handling, unpacking or disassembling unit.

Installation Tips

Parts Included:



Tools and Materials Needed for Installation (Not Included)

- Drill, Electric
- Driver, Socket 5/32", 1/4", 5/16"
- Flaring Tool / Tube Cutter (for copper tubing)
- Flashlight
- Level
- Pipe Joint Compound (for iron pipe plumbing) or Pipe Thread Tape (for sealing threads)
- Pliers
- Safety Glasses
- Saw, Keyhole or 1/2", 1 1/2" to 2" Hole Cutters
- Screw Drivers, Slotted and Ø2 Phillips (magnetic tip preferred)
- Work gloves
- Tape, Electrical or Duct
- Measuring Tape
- Wire Stripper or Utility Knife
- Wrench, Hex-end
- Wrenches, 2 Adjustable (for copper tubing) or 2 Pipe wrenches (for iron pipe plumbing)

Parts You Will Need* (Not Included)

- Drain Hose Clamp, 1 1/4" (3,1 cm) Diameter
- Brass Elbow, 90° with a 3/4" (Ø 2 cm) -11.5 NH to 3/8" (Ø 2 cm) NPT Compression fitting
- Conduit Connector (UL Listed)
- Wire Nuts, three (3) for 12-14 gauge wire (UL Listed)

- *If required:**
- "Y" Branch Tailpiece and Connector Kit (See Step 8)
 - Air Gap Kit (See Step 8)
- All the parts can be found at local hardware, electrical and plumbing supply stores.

WARNING

Electric Shock Hazard
 Disconnect electrical power at the fuse box or circuit breaker box before beginning installation. Failure to follow this warning could result in death or serious injury.

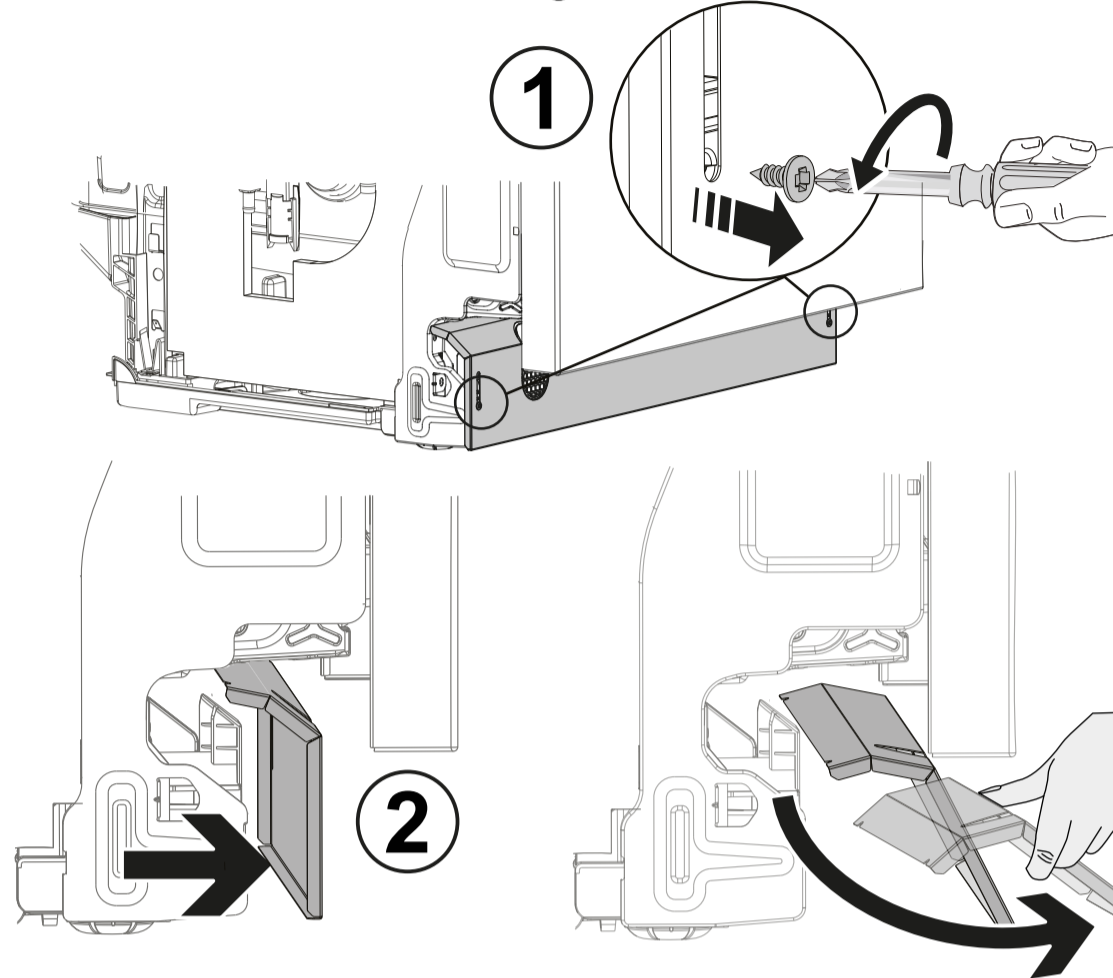
Installation Preparation 2

NOTE: Put unit on its back being careful not to pinch the Water Drain Hose.

1. Remove two (2) screws at the front the kickplate assembly
2. Tilt and pull forward the kickplate to remove it. - see Figure 1.

NOTE: It is not necessary to remove the outer door for installation.

Figure 1



3. Locate water inlet valve behind kickplate on bottom left underside of unit. See Figure 4. The valve has a 3/4" (2 cm) GHT Garden Hose Thread with 12 TPI.
4. Connect the 90° elbow (not included) to water inlet valve. When tightened, point elbow should point toward the left. To prevent bending of bracket or breaking of valve, avoid overtightening. See Figure 4.

Cabinet Preparation:

As a precaution, it is recommended, but not required that the cabinets enclosing all sides of the dishwasher (including the underside of the countertop) be sealed with an oil based paint or moisture-proof polyurethane to prevent possible steam/moisture damage.

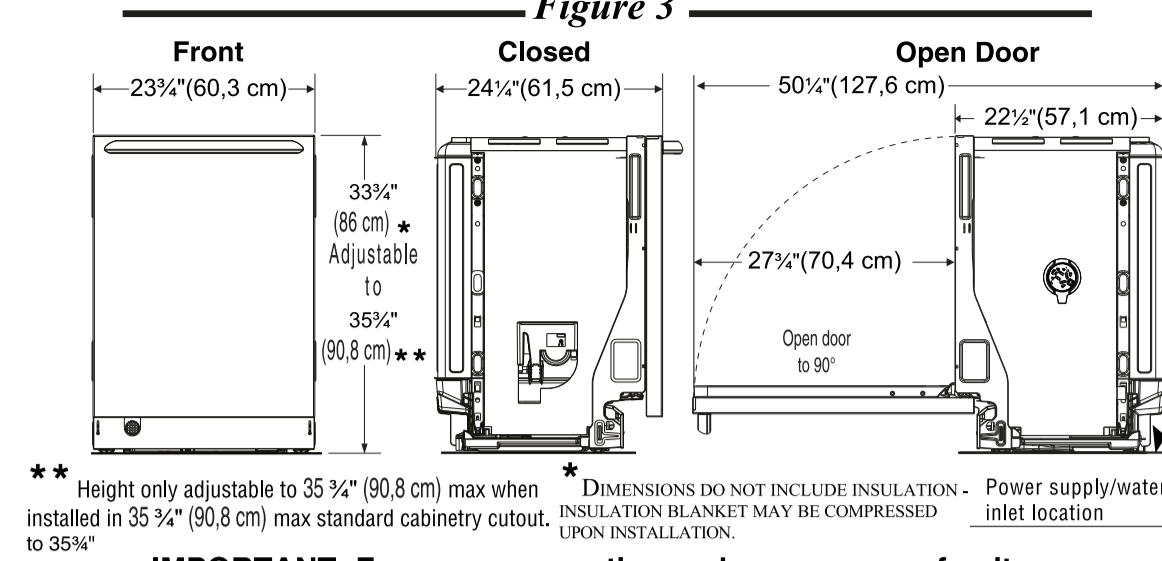
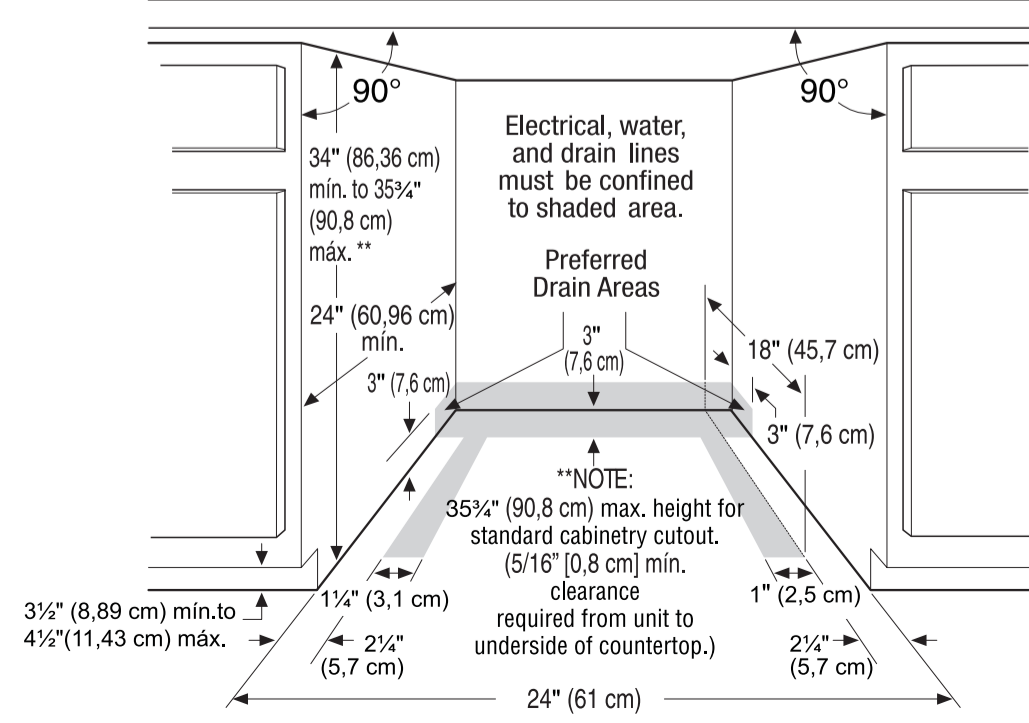
Roughing In 3

WARNING

Electric Shock Hazard
 Observe all local codes and ordinances for electrical and plumbing connections. All electrical and plumbing work should be performed by qualified persons. Failure to follow this warning could result in death or serious injury.

Figure 2

1. Make sure your location has the correct drain, water, and electrical outlets to make the connections. Do not install unit under a cooktop range. Damage to tub or other components will occur.



** Height only adjustable to 35 3/4" (90,8 cm) max when installed in 35 3/4" (90,8 cm) max standard cabinetry cutout.
 * DIMENSIONS DO NOT INCLUDE INSULATION - INSULATION BLANKET MAY BE COMPRESSED UPON INSTALLATION.

IMPORTANT: For proper operation and appearance of unit, cabinet opening should have dimensions as shown in Figure 2. If unit is to be placed in a corner, there must be at least a 2-inch side clearance between the wall and the open door.
 2. Floor should be flat and free of any obstruction.

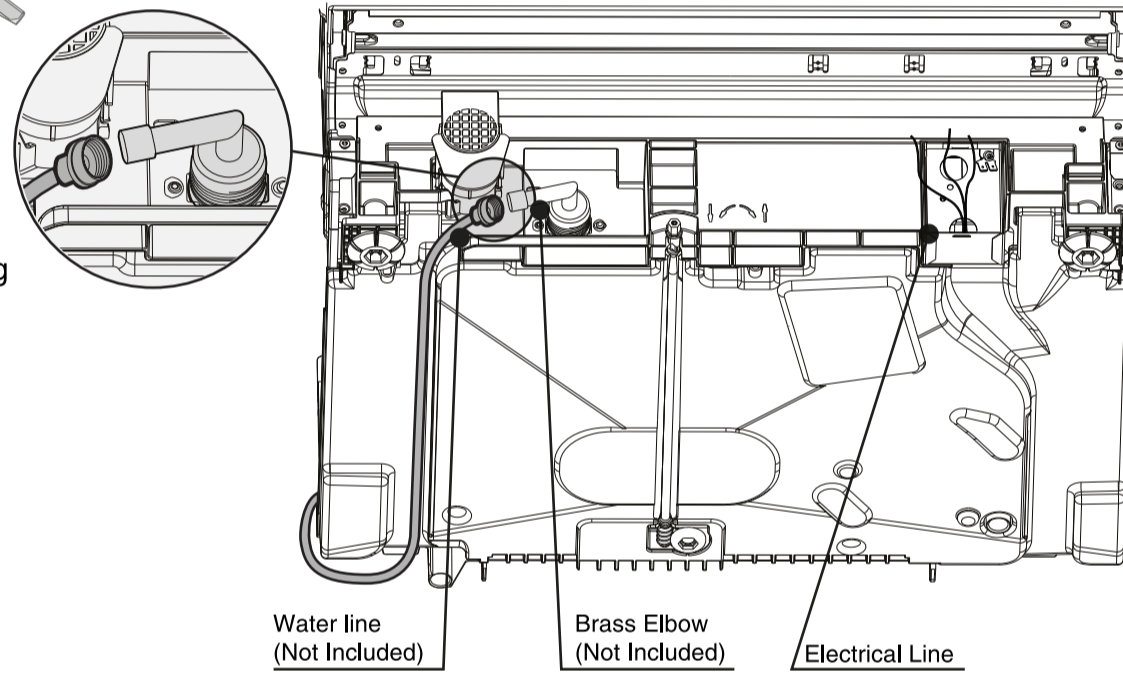
IMPORTANT: Drain, water, and electrical lines should be roughed-in before going any further.

WARNING

Electric Shock Hazard
 Electrical, water, and drain lines must be confined to shaded areas in Figure 2. Electric conductors, water, and drain could be damaged. Failure to follow these instructions could result in fire or electric shock.

NOTE: If dishwasher is installed at end of a cabinet, sides and back must be fully enclosed.

Figure 4



Connections For Electrical, Water, and Drain 4

Locating the Connections

1. Review dimensions in Figure 2 to locate dishwasher's drain, water, and electrical connections.
2. All utilities must be routed in shaded area in the Figure 2

WARNING

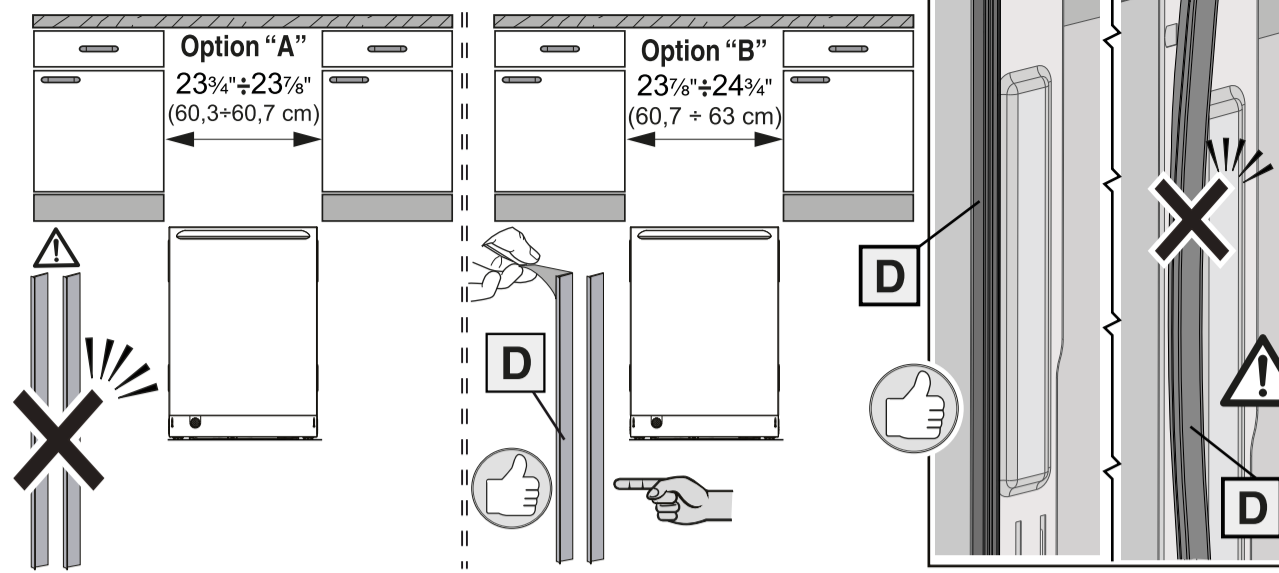
IMPORTANT: Disconnect power before starting installation.

Note: Locate the electrical supply and dishwasher's electrical junction box on right underside of unit behind kickplate assembly. See Figure 4. Determine where you will connect to hot water supply. Review Figure 4 and note the location of water inlet valve. Determine where you will connect the drain hose.

3. Cut access holes for the Electrical, Water and Drain hoses in the cabinet within the shaded areas as shown in Figure 2.
4. The dishwasher operates on a 120 volt, 60 Hz electrical supply. Provide a separate circuit with a fuse or circuit breaker rated for at least 15 amps (20 amps if connected with disposer) but not more than 20 amps.
5. Pull electrical cable through hole into installation area.
6. Be sure water inlet valve is protected from freezing. If valve freezes and ruptures, flooding may occur.
7. Determine amount of tubing needed to connect hot water supply to the unit's water inlet valve. Extra hose length is necessary. High-pressure and high-temperature Stainless Flexible hose with a minimum inner diameter of 1/4" may be used. A shut-off valve installed outside dishwasher cabinet is best.
8. Route water supply line into installation area.
9. Stand dishwasher back upright for further installation.

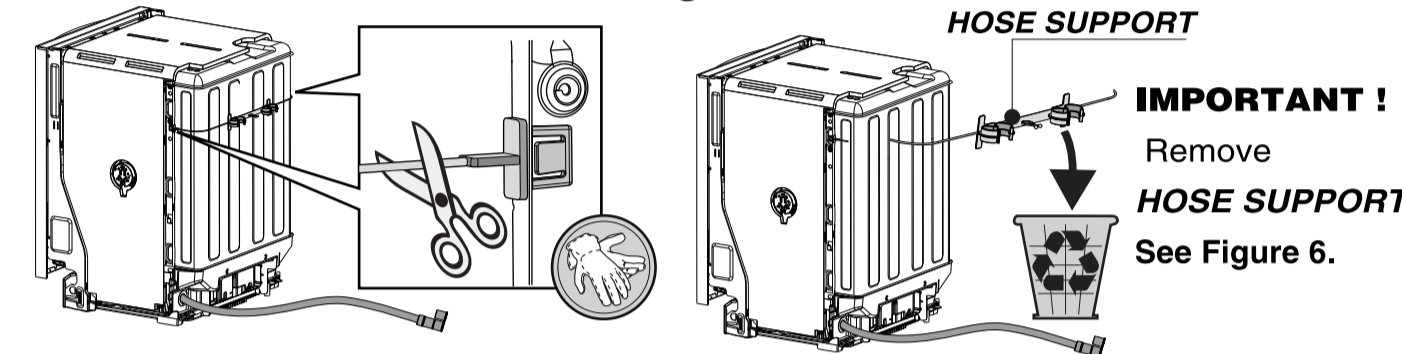
IMPORTANT: Incoming hot water temperature should be at least 120°F (49°C). Water pressure should be between 20–90 psi.

NOTE: Install cabinet seal to dishwasher before placing it into the cabinet

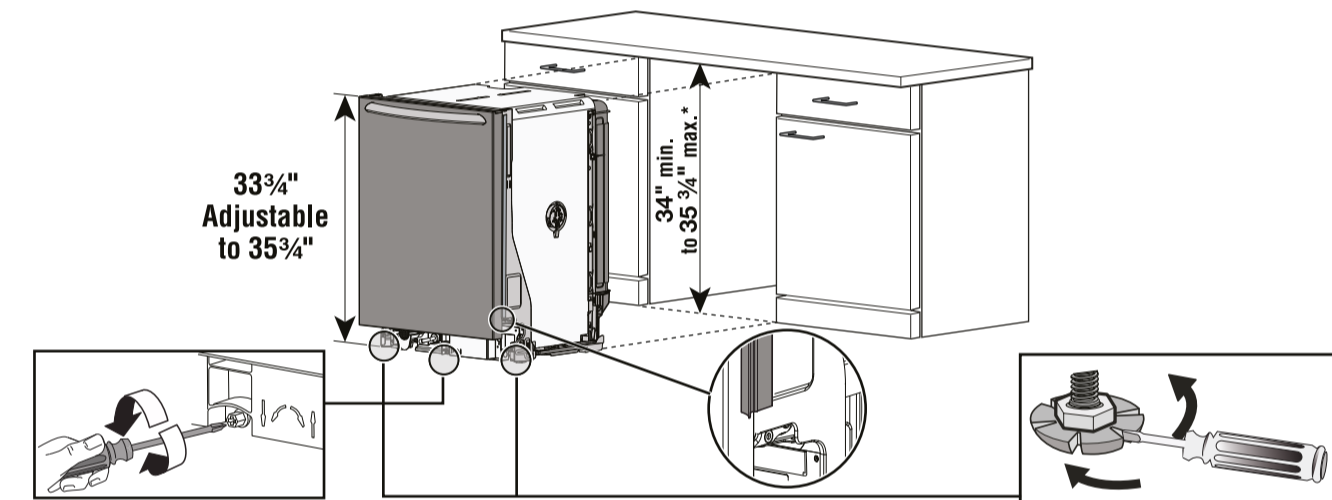


Leveling and Securing Dishwasher within Cabinets 5

Figure 6



33 3/4" Adjustable to 35 3/4"



1. Measure height of cabinet opening from underside of countertop to floor.
2. Move dishwasher to front of installation area.
3. Adjust the leveling legs.

Dishwasher Anchoring

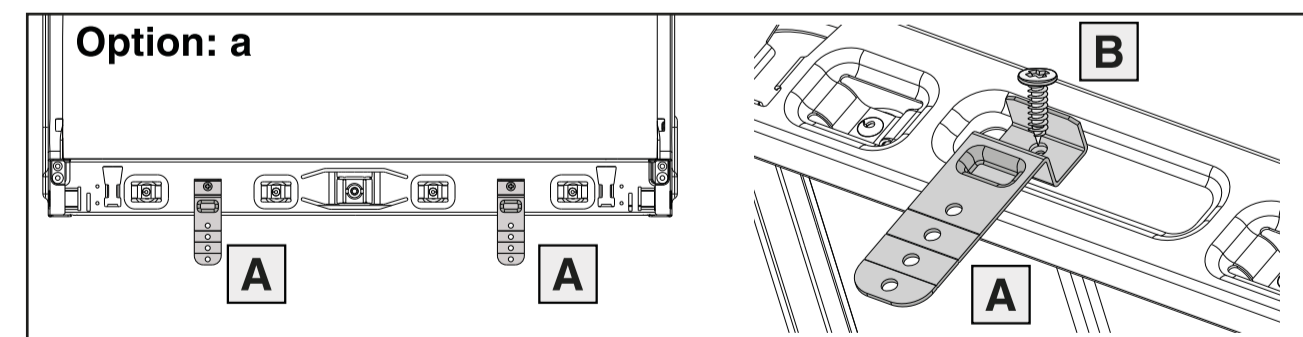
4. Choose one of the following methods of attachment below to secure the unit. For either top mount or side mount methods, use the (2) mounting clips provided and Pre-drill holes into the mounting surface using a Ø 13/64 (Ø 5 mm) drill bit to prevent damage to the cabinetry or countertop.

CAUTION: Use extreme care in mounting the dishwasher as to not scratch, bump or otherwise damage the console or tub.

To install the Side Mounting Clips.

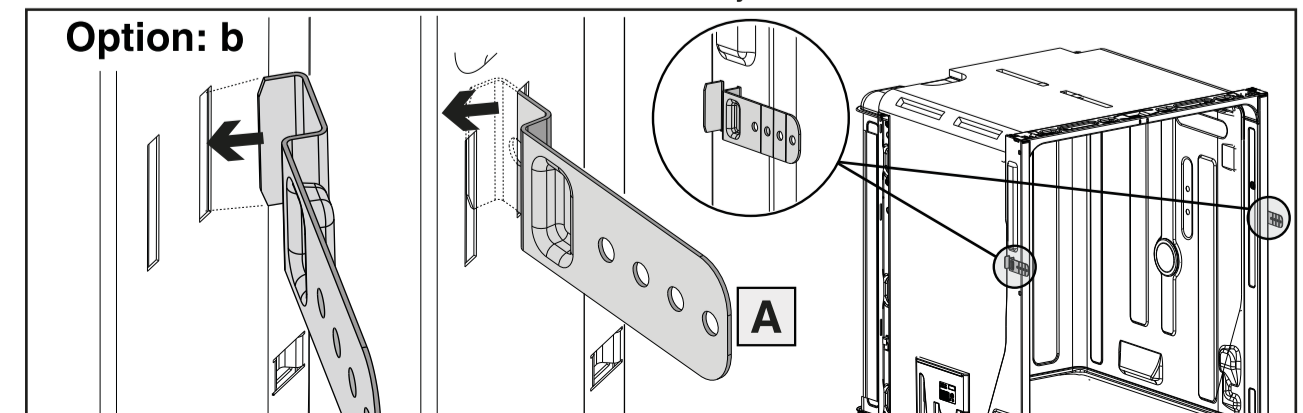
Top Mount Option: a

Note: Depending on the depth of the cabinet, the top mount clips have break off points which can be removed for a flush installation if necessary.

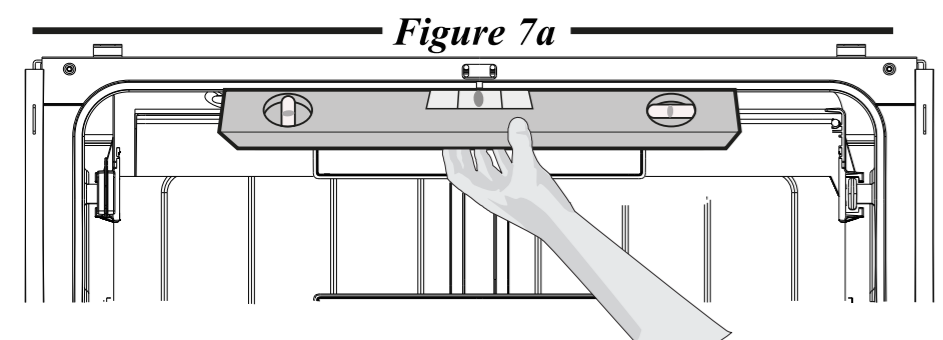


Side Mount Option: b

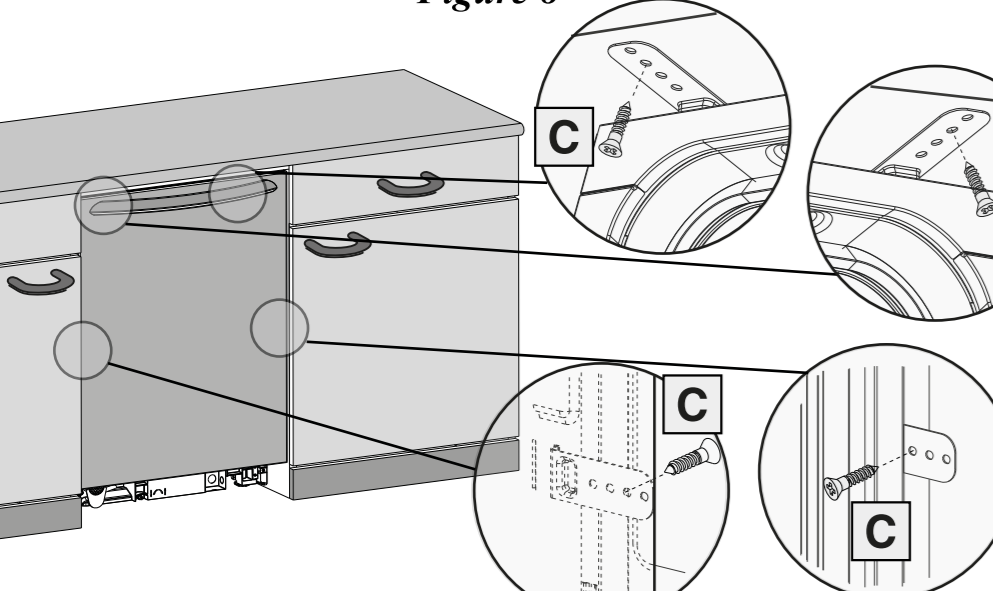
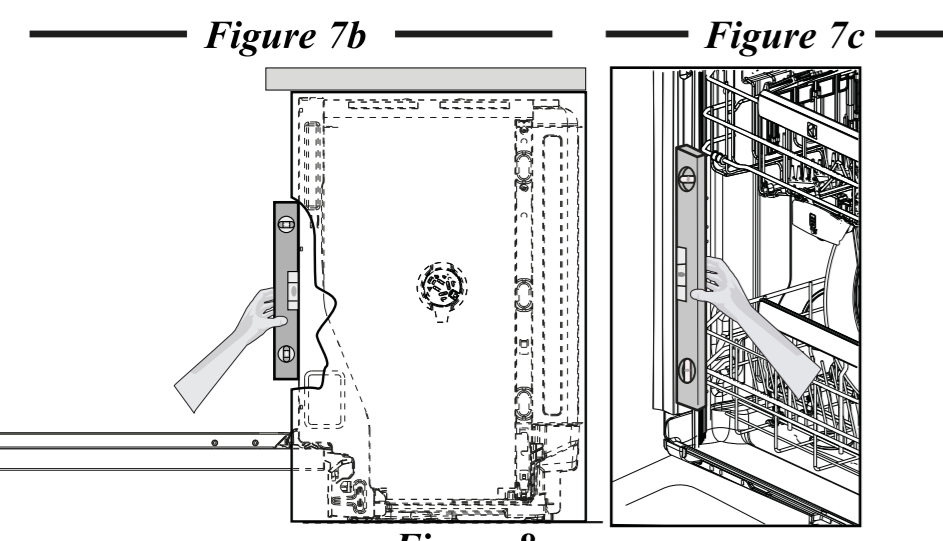
Install Side Mount Brackets before unit is installed into the cabinet. Insert screws into the front hole of the clips only. Use extreme caution when attaching brackets to avoid scratching the dishwasher or the surrounding cabinets. Depending on the depth of the cabinet, the clips have breakoff points which can be removed for a flush installation if necessary.



- Carefully place dishwasher inside cabinet area such that is centered in opening. Use caution when moving dishwasher to prevent damage to cabinet, dishwasher and floor.
- Front of door needs to be even with the front of adjoining cabinets. Front levelers should allow 5/16" (0,8 cm) below underside of countertop to top of console.
- Check that dishwasher is level from side to side by placing a level against the top front section of the tub. See Figure 7a.

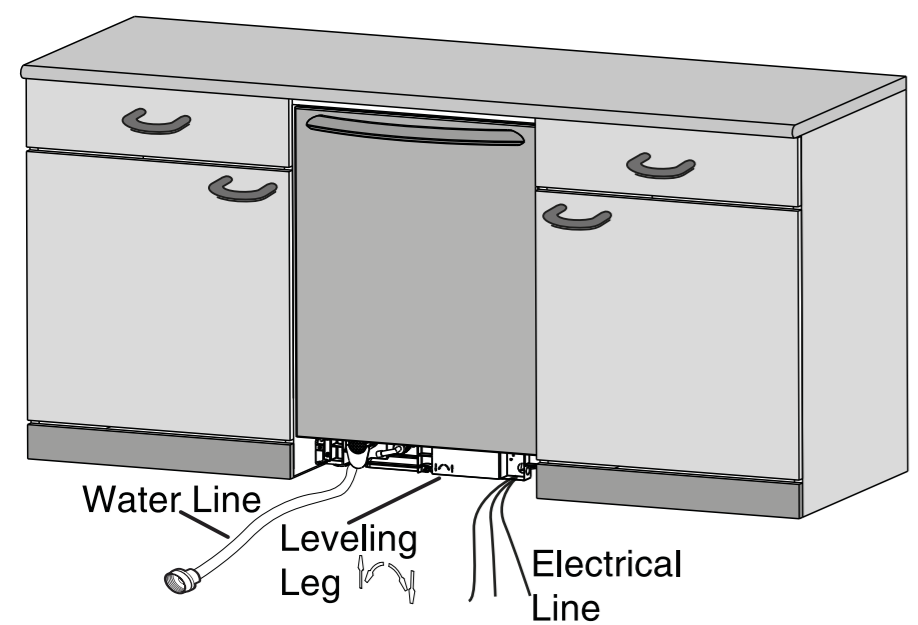


- Adjust levelers up or down until dishwasher is level. See Figure 7b/c.



- Holes need to be pre-drilled using a $\varnothing 13/64$ ($\varnothing 5$ mm) drill to secure unit
- Screw mounting brackets firmly to cabinet using screws provided in installation packet. See Figure 8
- Open and close dishwasher door slowly. Ensure that there is clearance to the console. Adjust accordingly, adjust rear foot if small correction is needed until door opens and closes freely. Adjust the levelling legs.

Installation Diagram 6



check these items:

- Water and electrical lines are straight out in front of the dishwasher.
- All three leg levelers are positioned properly.
- Cabinet Seals are positioned on the sides of the dishwasher.
- Cabinet Attachment Clips are attached to the cabinet on both corners on top of the dishwasher.

Finishing the Water and Electrical Connection 7

CAUTION

Property Damage
Do not solder within 6" (15,24 cm) of the water inlet valve. Damage to the plastic parts in the valve may occur.

Use care that no sealer, dirt, or other objects enter the valve. Damage to the filter screen may occur.

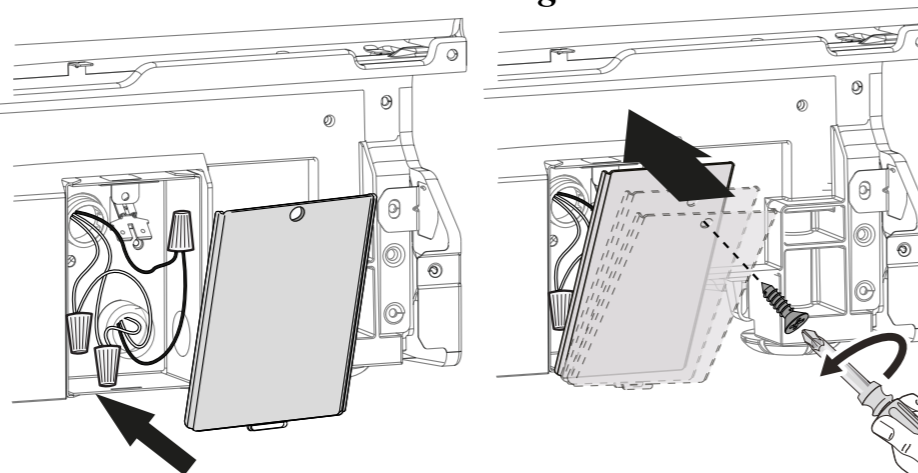
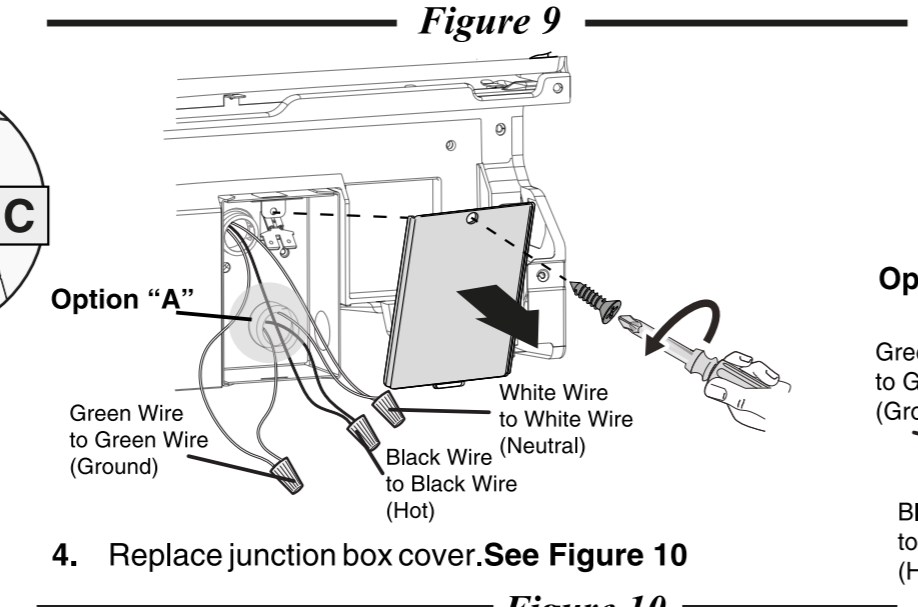
Be sure the dishwasher is placed where the water inlet valve will be kept from freezing. If the valve freezes, it may rupture and flooding may occur.

Water Line

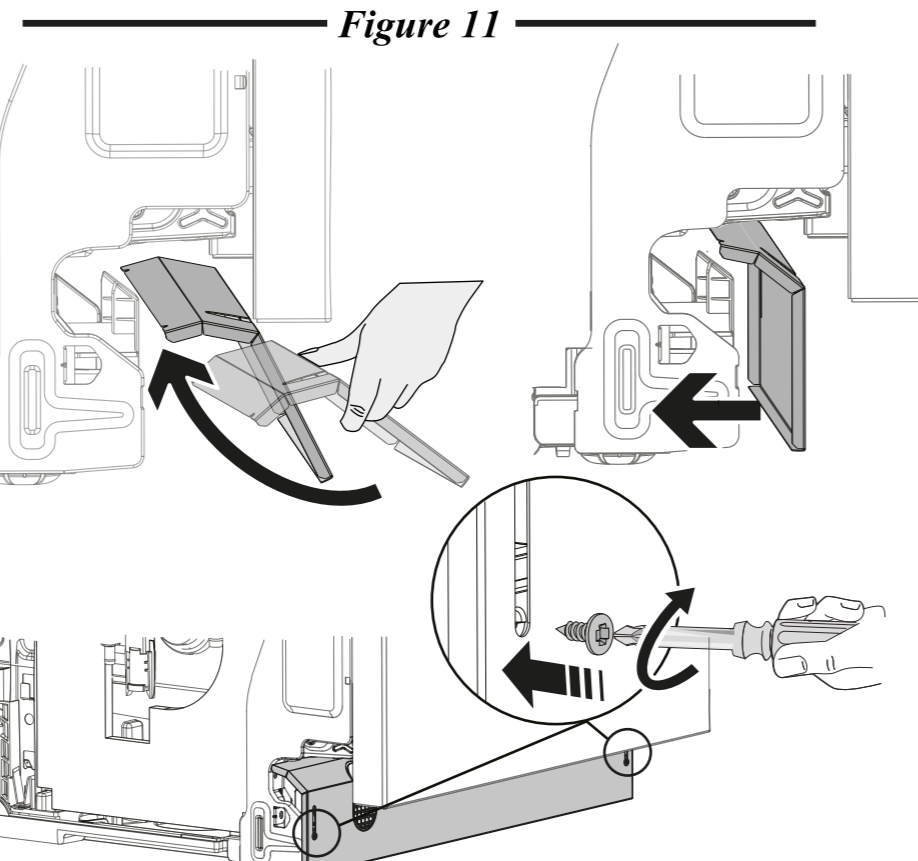
- Flush water line before connecting it to water inlet valve to prevent early clogging of filter screen. Place a bunched towel over end of line to prevent splashing. Open water supply valve for a few seconds and let water drain into a pan. Turn off water supply at shut-off valve.
- Route water line to water inlet valve as shown in Figure 4.
- While firmly pulling water supply line into 90° elbow, tightly connect water supply to water inlet valve. Supply line must be free of kinks, scales, chips, and lubricants.
- Turn on water supply and check for leaks.

Electrical Supply

- Remove junction box cover and pull house wiring into junction box. See Figure 9
- Use a UL listed conduit connector (not included) at box to stabilize wiring.
- Connect incoming black lead to dishwasher's black lead, incoming white lead to dishwasher's white lead and incoming green lead to dishwasher's green lead with wire nuts. (See Grounding Instruction Warning). Wire nuts must be tight.



KICKPLATE ASSEMBLY



WARNING



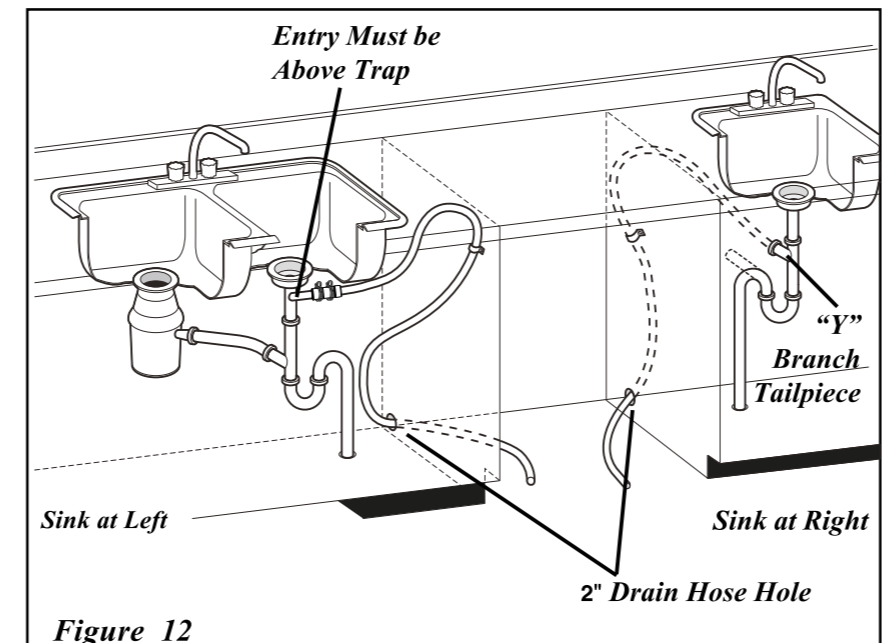
Electric Shock Hazard

Grounding Instructions:
The dishwasher must be connected to a grounded metal, permanent wiring system or an equipment-grounding conductor must be run with the circuit conductors and connected to the appliance's equipment grounding terminal or lead. It is the consumer's responsibility to contact a qualified installer to make sure the electrical installation conforms with the National Electrical Code and local codes and ordinances.

Do not connect the dishwasher to the power supply until the appliance is permanently grounded. All wiring connections must be enclosed in the junction box. This unit has copper lead wires. Joining aluminum building wire to stranded copper wire should be done by a qualified electrician using materials recognized by UL and local codes. Do not use an extension cord. Such use can result in fire, electrical shock, or other personal injury. Failure to follow these instructions could result in death or serious injury.

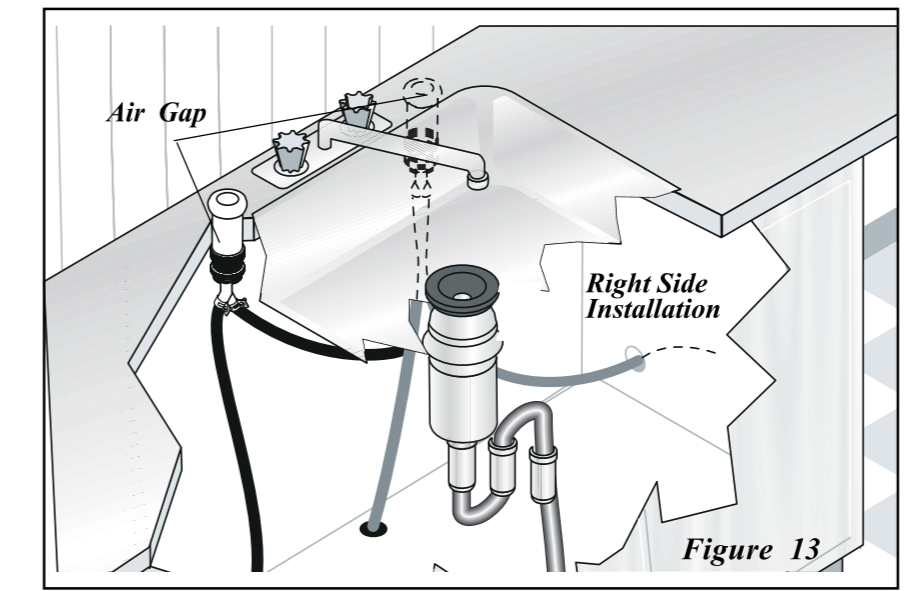
Finishing the Drain Connection 8

- Review Figures 12, 13 and 14 to see the different ways to connect dishwasher to drain system. Choose method that best suits your need.

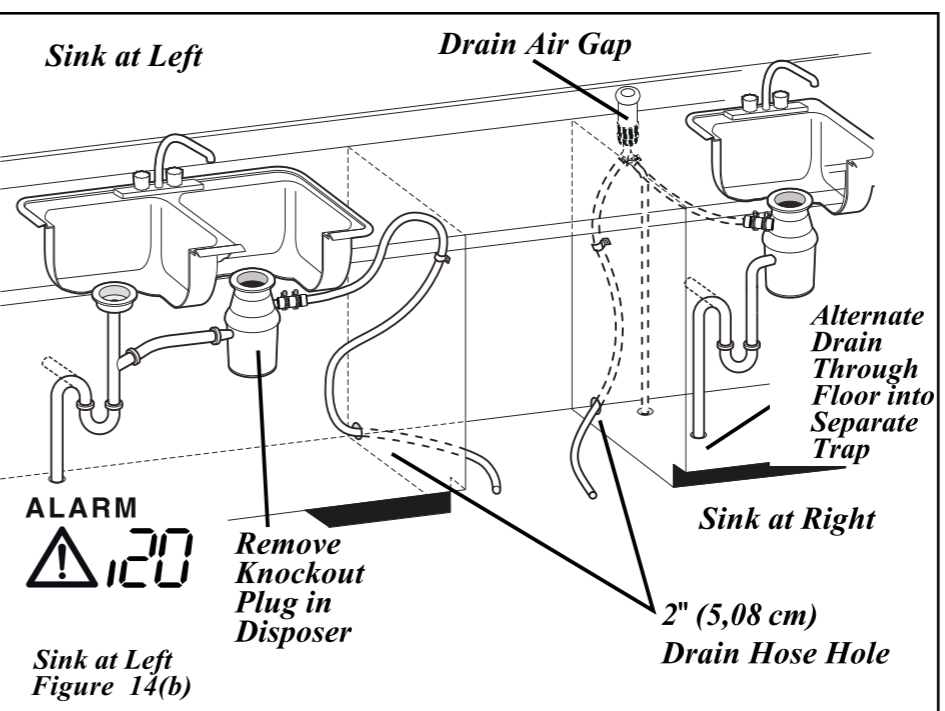
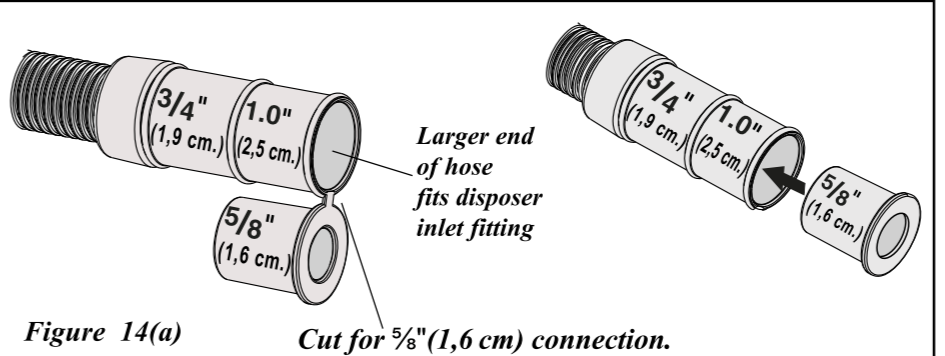


The drain hose loop must be at least 32" (80 cm) high from the floor to insure proper drainage.

- If you connect to a sink drain, entry will need to be above trap. A "Y" branch tailpiece and connector kit, not included, will make this method easier and includes all needed fittings and instructions. See Figure 12.



- If you connect to a sink trap, local codes may require you to install an air gap kit, (not included). The drain hose will be routed from dishwasher to air gap inlet as shown in Figure 13 An air gap kit is available from a plumbing supply store. (If the drain hose is installed through the floor, an air gap is necessary).
- If you connect to a disposer, the large end of drain hose will fit. Figure 14 (a) The knock out plug must be removed from inside disposer inlet before making the final fit to drain hose. See Figure 14 (b).



The drain hose loop must be at least 32" (80 cm) high from the floor to insure proper drainage.

- If the cabinet wall is wood, sand edges of hole until smooth and rounded. If cabinet wall is metal, cover all sharp edges with electrical or duct tape to avoid cutting drain hose.
- Move unit back in place while routing drain hose through access hole. Use caution to prevent damage to the dishwasher, floor and cabinets. **IMPORTANT: Make sure there are no sharp bends or kinks that might restrict drain flow.**
- Secure drain hose to sink drain, disposer, or separate trap with a clamp. **IMPORTANT: Be careful not to overtighten clamp or you may damage end of hose.** Do not connect hose to horizontal pipe between sink drain and disposer.
- Be sure unit does not rest on drain hose. It should be free of electrical components and door springs. Do not cut corrugated drain hose. Pull excess through cabinet and place under sink. Make sure hose does not come in contact with any sharp edges.

WARNING

Electric Shock Hazard
Disconnect electrical power at the fuse box or circuit breaker box before beginning installation. Failure to follow this warning could result in death or serious injury

CAUTION

Cut Hazard
Metal color panels are sharp and should be handled with care. Wear gloves to protect hands. Failure to follow this warning may result in injury.

CAUTION

Electric Shock Hazard
If all connections are correct, there are no leaks, and unit runs properly, replace the kickplate assembly before placing unit into operation. Failure to follow this warning could result in electric shock.

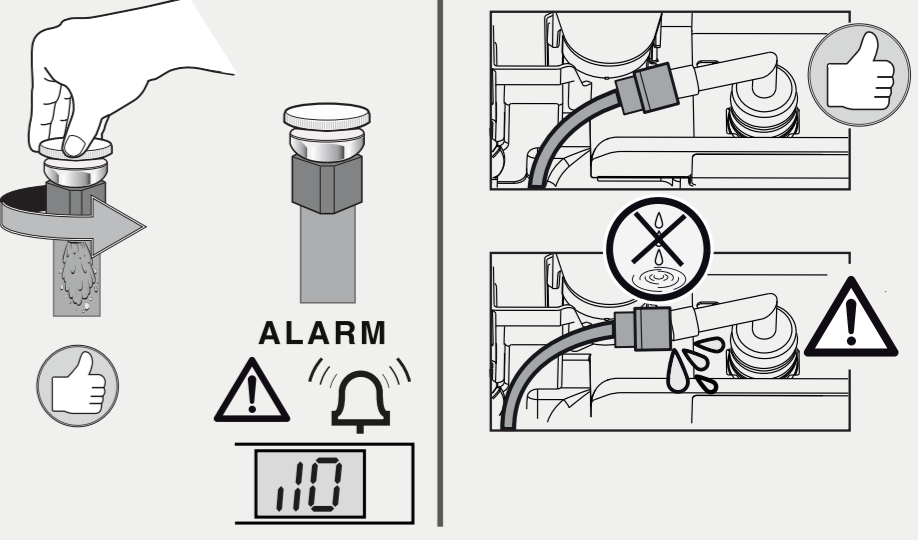
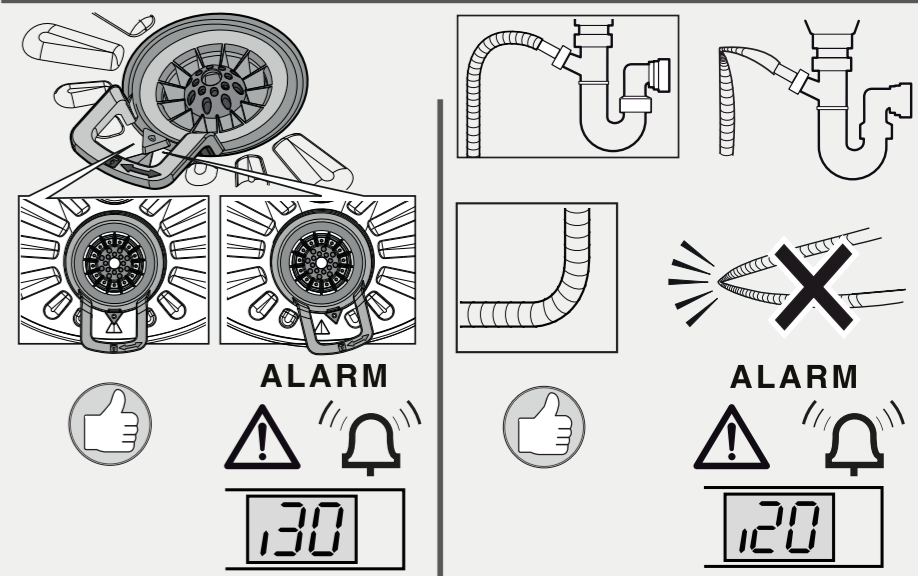
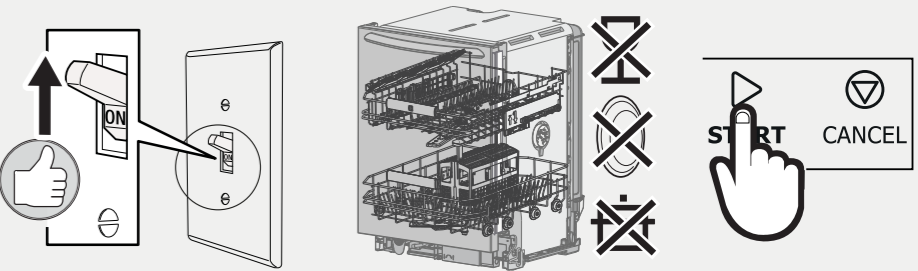
- Water and drain lines have no kinks and move freely behind the dishwasher.
- Water supply is turned on.
- Joints are free of leaks.
- Wiring connections to junction box are tight all access panels are secured back in place.
- Replace kickplate. See Figure 11
- Drain hose is connected properly to outlet.
- All packing materials and consumer literature have been removed from inside unit.
- Dishwasher is level and securely fastened.
- Open and close door to make sure it does not hit surrounding cabinet or countertop.
- Make sure that all wire ties are removed from the rack assembly

Checking the Installation 9

Operate the machine through at least one fill and pump-out, checking the following items:

- At first fill, approximately 4 minutes make sure water completely covers filter surface.
- At pump-out: (pump-out is either when the cycle is completed or canceled. refer to the Use and Care Manual for Start/Cancel), make sure all water is pumped out.
- Check water connections again for leaks.

First Use



Lave-vaisselle

CD. A13799848

Instructions d'installation

INSTALLATEUR : Veuillez laisser les instructions d'installation appropriées.
PROPRIÉTAIRE : Veuillez lire le **Guide d'utilisation et d'entretien** de votre lave-vaisselle. Il contient de l'information importante sur les mesures de sécurité liées au fonctionnement de cet appareil. Vous trouverez également de nombreuses suggestions qui vous permettront d'obtenir des résultats optimaux lorsque vous utiliserez votre lave-vaisselle.

Avant de commencer

Lisez toutes les instructions avant d'installer le lave-vaisselle. Pour votre sécurité, veuillez lire et suivre toutes les consignes de sécurité. Ce guide vous permettra de vous familiariser avec les branchements du tuyau de vidange, de la conduite d'alimentation en eau ainsi que des câbles électriques et vous aidera à choisir le meilleur emplacement pour le lave-vaisselle.

Le lave-vaisselle est fourni avec la fonction de chauffage de l'eau.

Le lave-vaisselle est conçu pour être raccordé à l'alimentation en eau chaude.

⚠ AVERTISSEMENT

Risque de basculement

N'utilisez pas le lave-vaisselle avant qu'il soit complètement installé. N'appuyez pas vers le bas sur la porte lorsque celle-ci est ouverte. Le non-respect de cet avertissement peut entraîner des blessures graves.

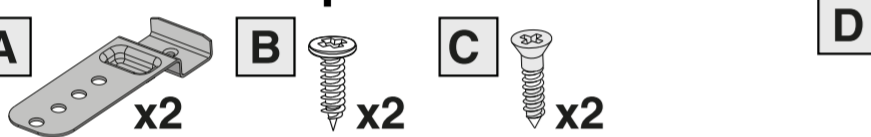
⚠ AVERTISSEMENT

Risque de coupures

Pour éviter de graves blessures pouvant être causées par des bords coupants, portez des gants de travail lorsque vous manipulez, déballez ou démontez l'appareil.

Conseils d'installation

Pièces comprises:



Outils et matériaux dont vous aurez besoin durant l'installation (non compris)

- Perceuse électrique
- Tournevis à douille de 5/32", 1/4", 5/16"
- Outil à évaser / coupe-tube (pour les tuyaux en cuivre)
- Lampe de poche
- Niveau à bulle
- Pâte à joint pour tuyaux (pour la tuyauterie en fer) ou ruban à filetage pour tuyaux (pour rendre les filetages étanches)
- Pincettes
- Lunettes de sécurité
- Scie à guichet ou scie emporte-pièce de 1/2", 1 1/2" ou 2"
- Tournevis à pointe plate et à pointe Phillips Ø 2 (à pointe aimantée, si possible)
- Gants de travail
- Ruban isolant ou ruban à conduits
- Ruban à mesurer
- Outil à dénuder ou couteau à lame rétractable
- Clé à tête hexagonale
- Deux clés à molette (pour les tuyaux en cuivre) ou deux clés à tuyau (pour les tuyaux en fer)

Pièces dont vous aurez besoin*

(non comprises)

- Collier pour tuyaux de vidange de 1 1/4" (3,1 cm) de diamètre
- Coude en laiton de 90° avec une bague de compression 3/4"-11,5 NH à 3/8" NPT
- Raccord de conduit (homologué UL)
- Trois serre-fils pour fils de calibre 12 à 14 (homologués UL)

* Au besoin :

- Pièce de raccordement en « Y » et ensemble de raccords (reportez-vous à l'étape 8) • Ensemble de brise-vide (reportez-vous à l'étape 8)

Toutes ces pièces peuvent être trouvées dans les quincailleries ainsi que dans les magasins d'approvisionnement en pièces électriques et de plomberie de votre région.

⚠ AVERTISSEMENT

Risque de choc électrique

Coupez le courant à la boîte de fusibles ou de disjoncteurs avant de commencer l'installation. Le non-respect de cet avertissement peut entraîner des blessures graves, voire la mort.

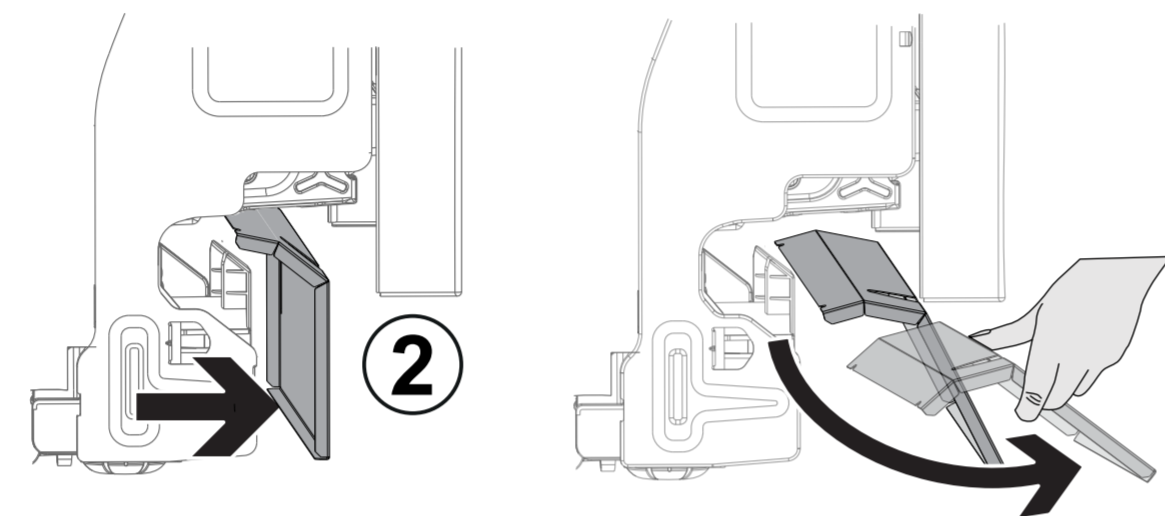
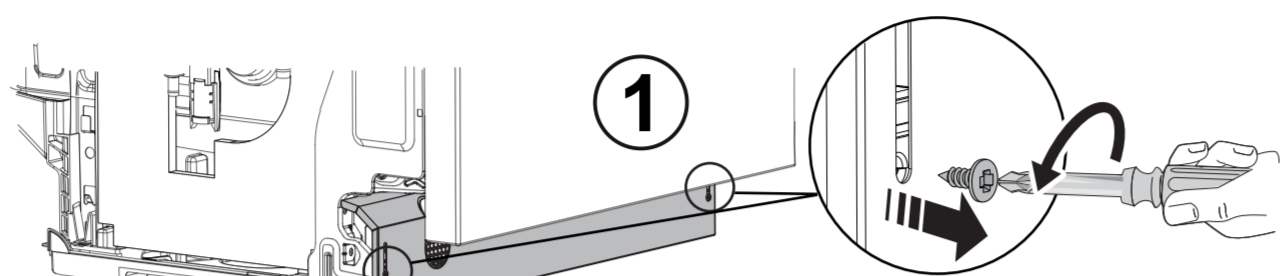
Préparation à l'installation 2

REMARQUE : Mettez l'appareil sur le dos en faisant attention de ne pas coincer le tuyau de vidange d'eau.

1. Retirez deux (2) vis à l'avant du montage de la plinthe au moyen d'un tournevis à pointe Phillips Ø 2.
2. Basculez et tirez l'avant le garde-pieds pour l'enlever (voir - figure 1).

REMARQUE : Il n'est pas nécessaire de retirer la porte externe pour procéder à cette installation.

Figure 1



3. Repérez le robinet d'arrivée d'eau qui se trouve derrière le garde-pieds, sous le côté gauche de l'appareil. (Reportez-vous à la figure 4.) Le robinet un raccord mâle 3/4" (2 cm) GHT Garden Hose Thread avec 12 TPI.
4. Raccordez le coude de 90° (non compris) au robinet d'entrée d'eau, puis vissez-le dans le robinet d'arrivée d'eau. Le coude pointera vers la gauche lorsqu'il sera bien serré. Pour éviter de plier le support ou de briser le robinet, ne serrez pas trop le coude. (Reportez-vous à la figure 4.)

Préparation des armoires :

Pour des raisons de sécurité, il est recommandé, sans que cela soit requis, que les armoires couvrant tous les côtés du lave-vaisselle (ce qui comprend le dessous du comptoir) soient isolées au moyen d'une peinture à base d'huile ou de polyuréthane à l'épreuve de l'humidité pour éviter les dommages pouvant être causés par la vapeur ou l'humidité.

Mise en place du matériel de raccordement 3

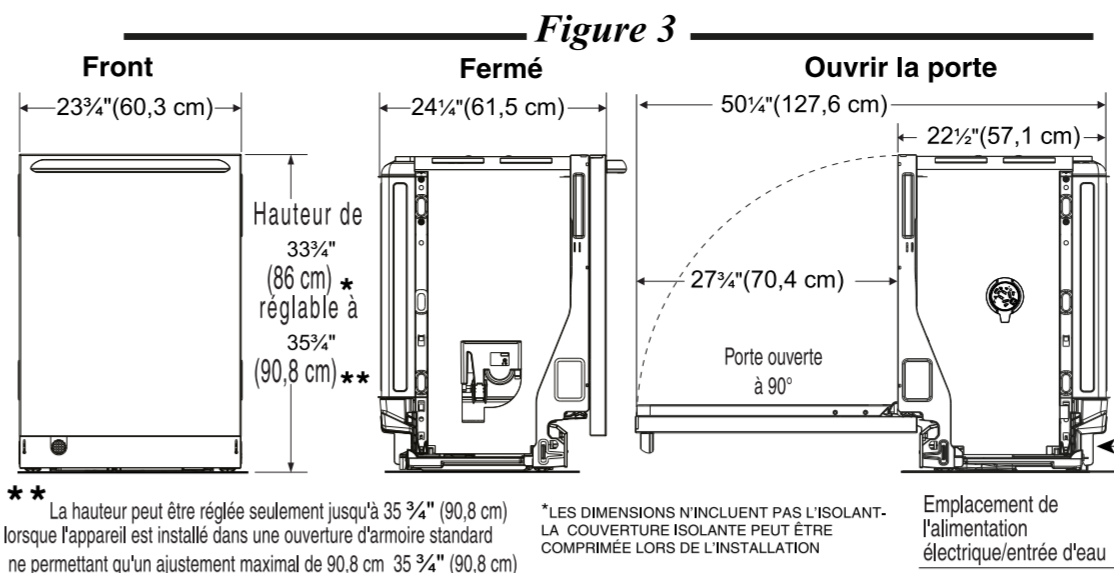
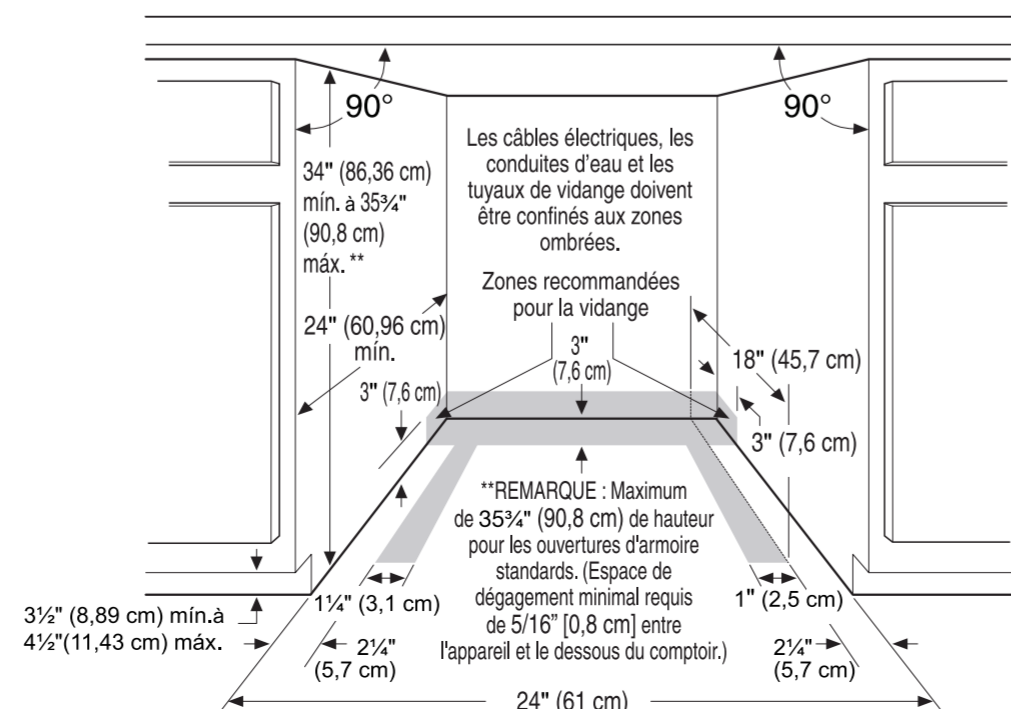
⚠ AVERTISSEMENT

Risque de choc électrique

Observez toutes les ordonnances et tous les codes locaux lorsque vous effectuez les raccordements électriques et de plomberie. Tous les travaux d'électricité et de plomberie doivent être faits par des techniciens qualifiés. Le non-respect de cet avertissement peut entraîner des blessures graves, voire la mort.

Figure 2

1. Assurez-vous que l'emplacement que vous avez choisi dispose des prises appropriées pour le raccord du tuyau de vidange, de la conduite d'alimentation en eau et des fils électriques. N'installez pas cet appareil sous une table de cuisson. Cela pourrait endommager la cuve ou d'autres composants.



** La hauteur peut être réglée seulement jusqu'à 35 3/4" (90,8 cm) lorsque l'appareil est installé dans une ouverture d'armoire standard ne permettant qu'un ajustement maximal de 90,8 cm 35 3/4" (90,8 cm)

LES DIMENSIONS N'INCLUENT PAS L'ISOLANT. LA COUVERTURE ISOLANTE PEUT ÊTRE COMPRIMÉE LORS DE L'INSTALLATION.

Emplacement de l'alimentation électrique/entrée d'eau

IMPORTANT : Pour assurer le fonctionnement approprié de l'appareil ainsi qu'un aspect soigné, l'ouverture de l'armoire doit avoir les dimensions indiquées sur la figure 2. Si vous devez placer l'appareil dans un coin, laissez un dégagement d'au moins 2" (5,08 cm) sur les côtés pour permettre l'ouverture de la porte.

2. Le plancher doit être plat et ne comporter aucune obstruction.

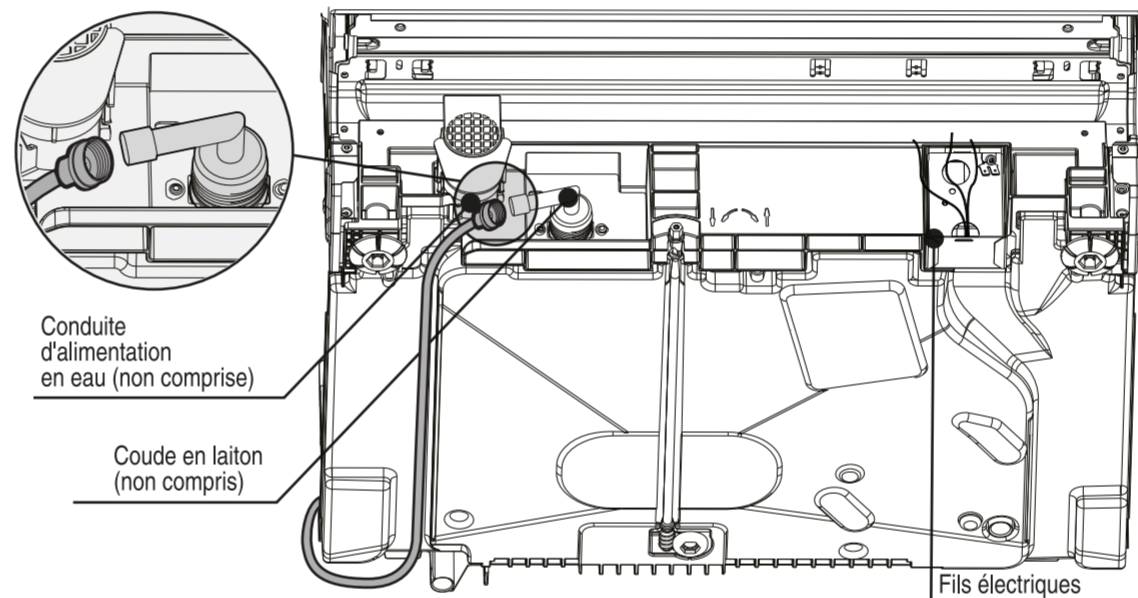
⚠ AVERTISSEMENT

Risque de choc électrique

L'installation des fils électriques, de la conduite d'eau et du tuyau de vidange doit être limitée aux zones ombrées indiquées sur la figure 2. Sinon, ces dispositifs pourraient s'endommager. Le non-respect de ces instructions pourrait causer des incendies ou provoquer des décharges électriques.

REMARQUE : Si le lave-vaisselle est installé à l'extrémité d'une armoire, les côtés et l'arrière de celui-ci doivent être complètement encastrés.

Figure 4



Raccordement des fils électriques, de la conduite d'eau et du tuyau de vidange 4

Emplacement des raccordements

1. Reportez-vous aux dimensions de la figure 2 pour connaître l'emplacement des raccordements du tuyau de vidange, de la conduite d'alimentation en eau et des fils électriques.
2. Les conduites, les fils et les raccordements doivent tous être acheminés dans la zone ombrée indiquée sur la figure 2.

⚠ AVERTISSEMENT

IMPORTANT: Débranchez l'appareil avant de commencer l'installation

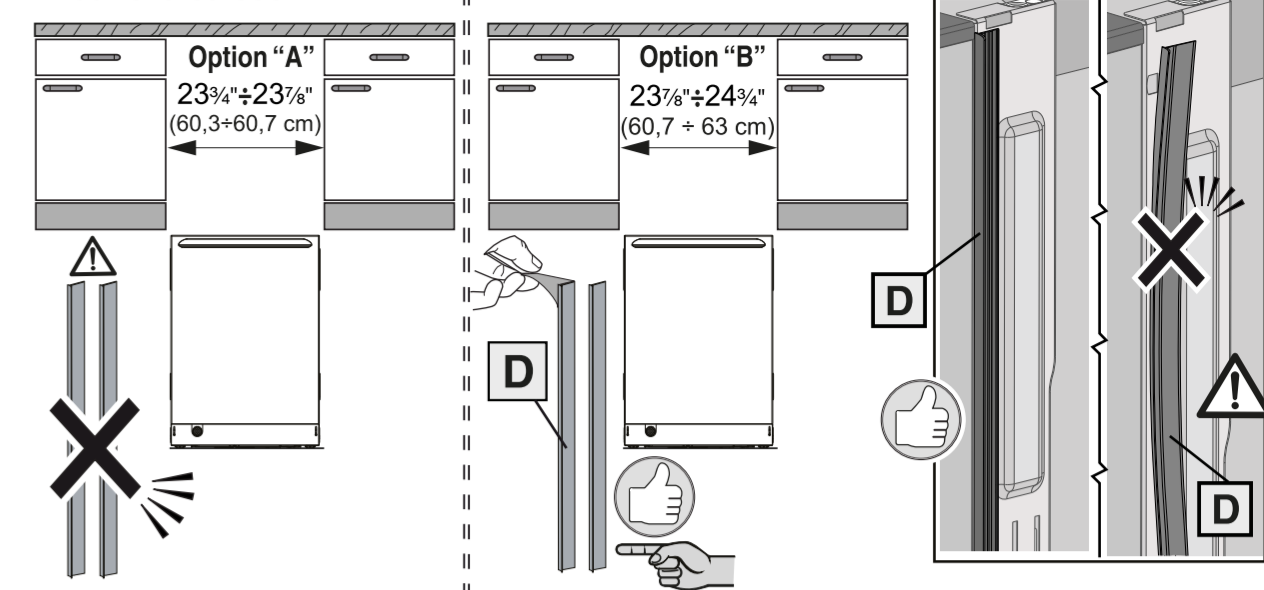
REMARQUE : Placez les fils et la boîte de jonction électriques du lave-vaisselle sous le côté droit de l'appareil, derrière le garde-pieds. (Reportez-vous à la figure 4.)

- Déterminez à quel endroit vous effectuerez le branchement à la conduite d'alimentation en eau chaude. Reportez-vous à la figure 4 et remarquez l'emplacement du robinet d'arrivée d'eau.
- Déterminez à quel endroit vous effectuerez le branchement du tuyau de vidange.
- Decoupez des trous d'accès pour la boyaux électrique, d'eau et de vidange dans la caisse en dedans des zones ombrées tel qu'illustré dans la figure 2.
- Le lave-vaisselle fonctionne au moyen d'une alimentation électrique de 120 V et de 60Hz. Branchez le lave-vaisselle sur un circuit distinct muni d'un fusible ou d'un disjoncteur d'au moins 15 A, mais d'au plus 20 A. (Servez-vous d'un fusible ou d'un disjoncteur de 20 A si le lave-vaisselle est utilisé avec un broyeur à déchets.)
- Tirez le câble électrique en le faisant passer par le trou se trouvant dans la zone d'installation.
- Assurez-vous que le robinet d'arrivée d'eau est protégé contre le gel. Si le robinet gèle et se brise, des fuites d'eau pourraient survenir.

- Déterminez la longueur de tuyau dont vous avez besoin pour raccorder la conduite d'alimentation en eau chaude au robinet d'arrivée d'eau de l'appareil. Vous devez compter du jeu dans la longueur du tuyau.
- Vous pouvez utiliser un tuyau flexible en acier inoxydable conçu pour les pressions et les températures élevées ayant un diamètre intérieur minimal de 0,6 cm (1/4 po). Il est conseillé d'installer un robinet d'arrêt à l'extérieur de la caisse du lave-vaisselle.
- Acheminez la conduite d'alimentation en eau dans la zone d'installation.
- Remettez le lave-vaisselle en position verticale pour effectuer les prochaines installations.
- IMPORTANT :** La température de l'eau chaude d'alimentation doit être d'au moins 49 °C (120 °F). La pression de l'eau doit se situer entre 137,9 et 827,4 kPa (20 et 120 lb/po²).

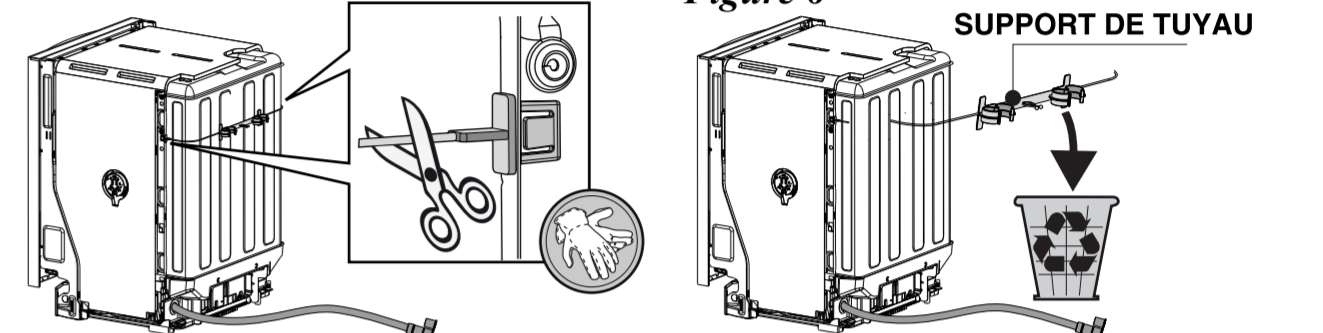
Figure 5

REMARQUE : Installez le joint de la caisse sur le lave-vaisselle avant de le placer dans la caisse

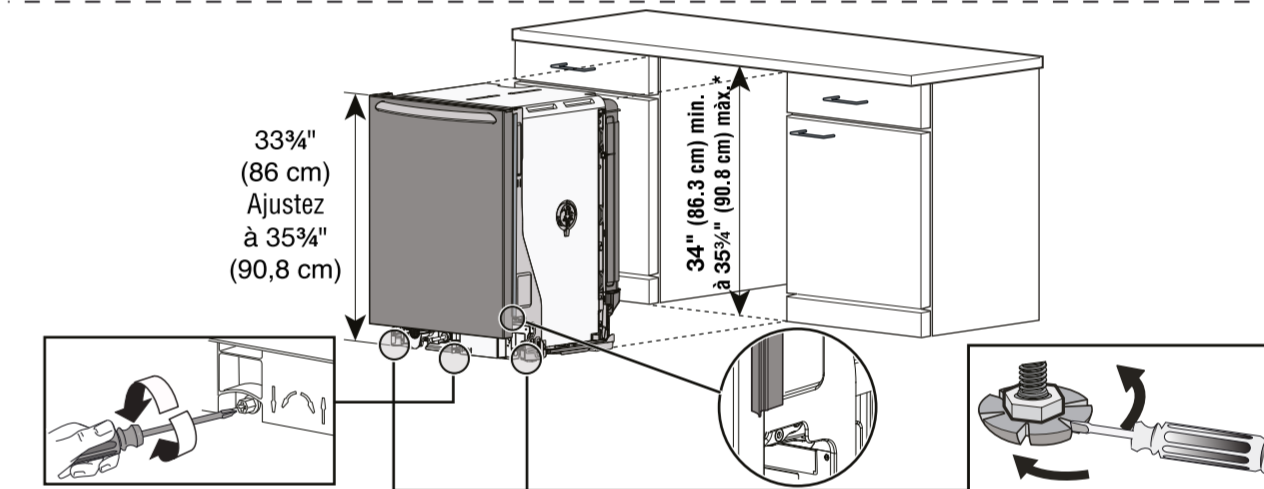


Mise à niveau et fixation du lave-vaisselle à l'intérieur des armoires 5

Figure 6



IMPORTANT ! Retirez le SUPPORT DE TUYAU. Reportez-vous à la figure 6 qui peuvent être retirés pour une installation au ras si nécessaire.



1. Mesurez la hauteur de l'ouverture de l'armoire à partir de la surface inférieure du comptoir jusqu'au plancher.
2. Déplacez le lave-vaisselle vers l'avant de la zone d'installation.
3. Ajustez les pieds de mise à niveau.

Ancrage du lave-vaisselle

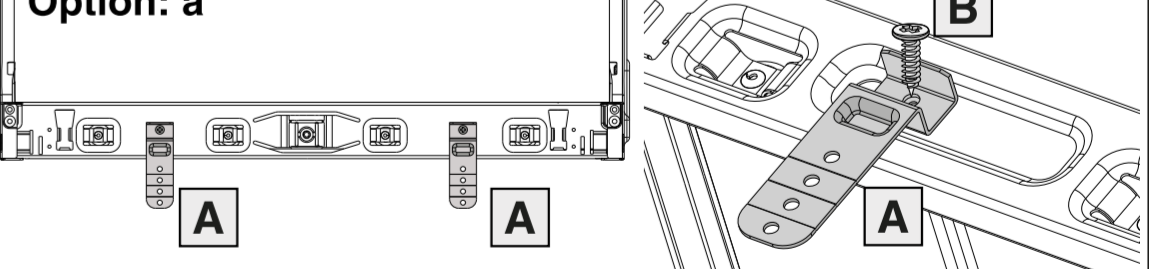
4. Choisissez l'une des méthodes de fixation ci-dessous pour fixer l'unité suivantes. Pour soit supérieure montage ou sur le côté de montage méthodes, utiliser les clips (2) de montage fournis et pré-percer des trous dans la surface de montage avec une mèche de forage de Ø 13/64 (Ø 5 mm) prévenir les dommages à l'armoire ou un comptoir.

ATTENTION : Lorsque vous procédez à l'ancrage du lave-vaisselle, faites attention de ne pas rayer, cabosser ni endommager d'une quelque autre manière que ce soit la console ou la cuve.

Pour installer les clips de fixation latéraux.

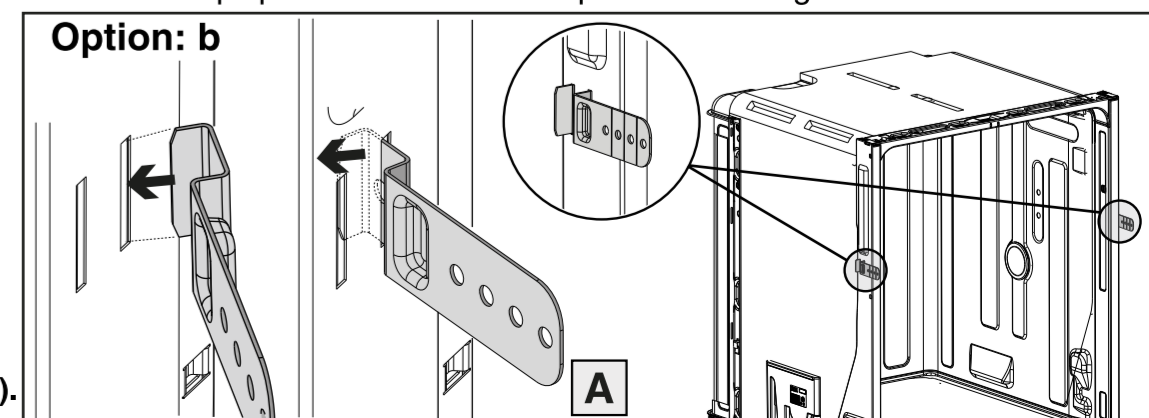
Sur le dessus Option: a

Selon la profondeur de l'armoire, en haut clips de montage ont rompre les points

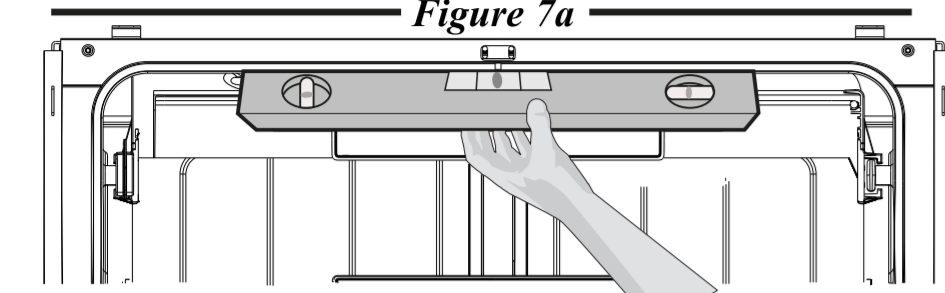


Option de montage Side: b

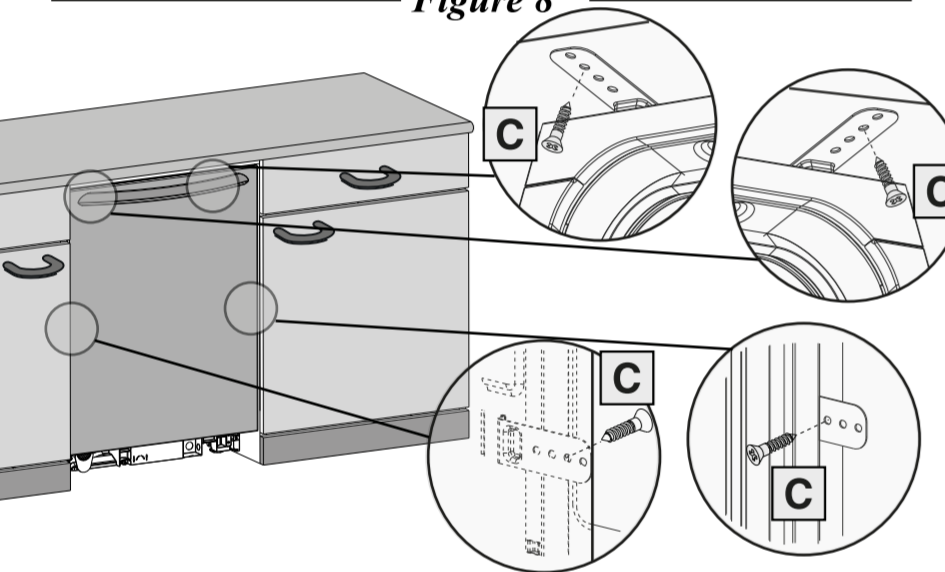
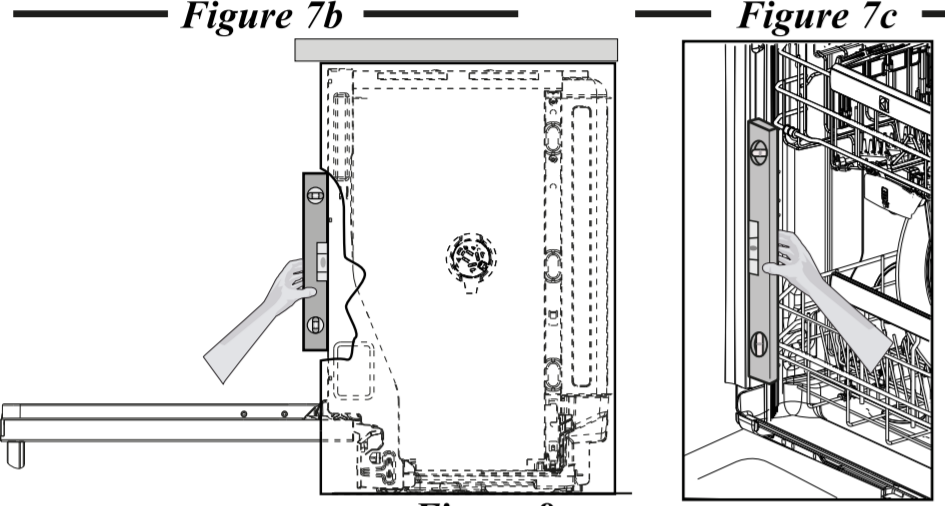
Installez secondaires supports de montage avant unités est installé dans l'armoire. Insérez les vis dans le trou avant de la seulement les clips. Soyez extrêmement prudent lorsque vous fixez les supports pour éviter gratter pour le lave-vaisselle ou les armoires environnantes. Selon la profondeur de l'armoire, les clips de montage ont pause points de retard qui peuvent être enlevés pour un montage encastré si nécessaire.



- Installez avec précaution le lave-vaisselle à l'intérieur de l'armoire de sorte qu'il soit centré dans l'ouverture. Faites attention lorsque vous déplacez le lave-vaisselle pour éviter d'endommager l'armoire, le lave-vaisselle ou le plancher.
- L'avant de la porte doit être au même niveau que l'avant des armoires adjacentes. Les pieds de mise à niveau avant doivent être réglés de sorte qu'ils laissent un espace de 5/16" (0,8 cm) entre le dessous du comptoir et le dessus de la console.
- Vérifiez si le lave-vaisselle est de niveau de la gauche vers la droite en plaçant un niveau à bulle sur la partie supérieure avant de la cuve. (Reportez-vous à la figure 7a.)

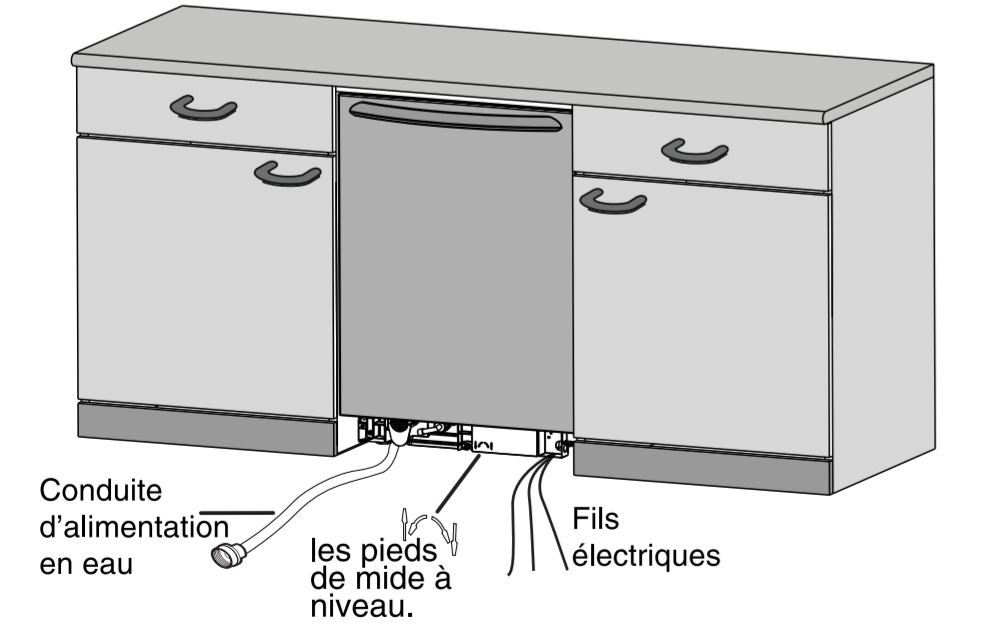


- Ajustez les pieds de mise à niveau vers le haut ou vers le bas jusqu'à ce que le lave-vaisselle soit de niveau. (Reportez-vous à la figure 7b/c.)



- Percez des avant-trous à l'aide d'un foret Ø 13/64 (Ø 5 mm) pour bien fixer l'appareil.
- Vissez fermement les supports de montage à l'armoire au moyen des vis fournies dans la pochette de documentation. (Reportez-vous à la figure 8.)
- Ouvrez et fermez lentement la porte du lave-vaisselle. Assurez-vous qu'il y a un espace de dégagement suffisant pour la console. Apportez les ajustements nécessaires jusqu'à ce que la porte s'ouvre et se ferme librement. Ajustez les pieds de mise à niveau.

Schéma d'installation 6



Vérifiez les éléments suivants :

- La conduite d'alimentation en eau et les fils électriques sont dépliés devant le lave-vaisselle.
- Les trois pieds de mise à niveau sont positionnés correctement.
- Les dispositifs d'étanchéité pour armoires sont installés sur les côtés du lave-vaisselle.
- Les attaches sont fixées aux armoires dans les deux coins du dessus du lave-vaisselle.

Achèvement du raccordement de la conduite d'alimentation en eau et des fils électriques 7

AVERTISSEMENT

Risque de dommages matériels
Ne faites aucune soudure à moins de 15,2 cm (6 po) du robinet d'arrivée d'eau. Cela pourrait endommager les pièces en plastique qui se trouvent dans le robinet.
Prenez les précautions nécessaires pour qu'aucun scellant, aucune saleté ni aucun autre objet n'entrent dans le robinet. Sinon, cela pourrait endommager le tamis du filtre.
Assurez-vous que le lave-vaisselle est installé à un endroit où le robinet d'arrivée d'eau est protégé contre le gel. Si le robinet gèle, celui-ci peut se briser et causer des fuites d'eau.

Conduite d'alimentation en eau

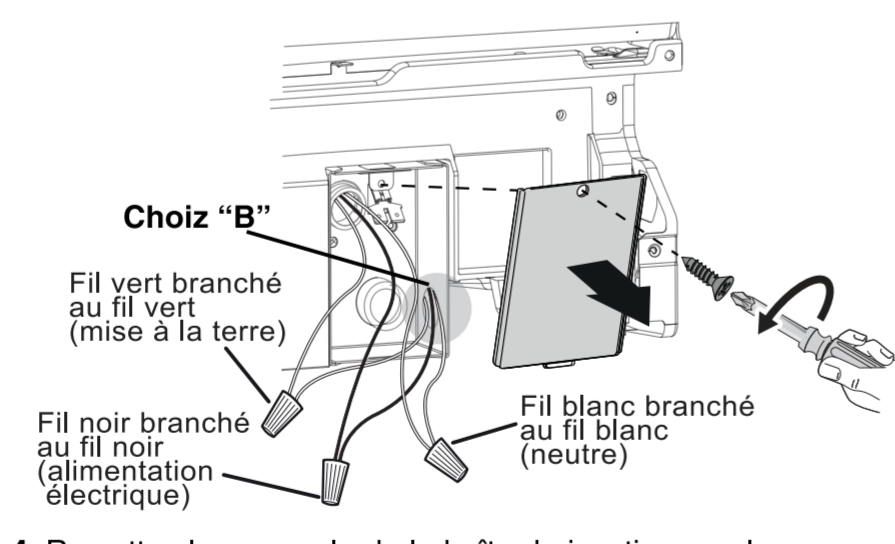
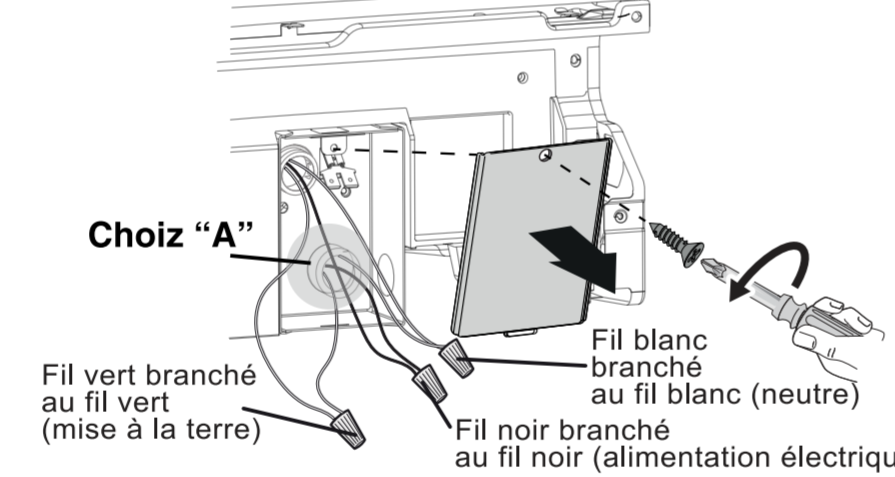
- Nettoyez la conduite à grande eau avant de la raccorder au robinet d'arrivée d'eau pour éviter que le tamis du filtre ne se bouche prématurément. Placez une serviette mise en boule sur l'extrémité de la conduite pour éviter les éclaboussures. Ouvrez le robinet d'arrivée d'eau pendant quelques secondes et laissez l'eau couler dans un plateau. Fermez l'alimentation en eau à l'aide du robinet d'arrêt.
- Acheminez la conduite d'alimentation en eau vers le robinet d'arrivée d'eau, comme indiqué sur la figure 4
- Faites entrer la conduite d'alimentation en eau dans le coude de 90° en exerçant une pression ferme et raccordez la conduite au robinet d'arrivée d'eau en la serrant solidement. La conduite d'alimentation en eau ne doit présenter aucune torsion, aucun écaillage ni aucune ébréchure et ne doit avoir aucun lubrifiant.

Ouvrez l'alimentation en eau et vérifiez s'il y a des fuites.

Alimentation électrique

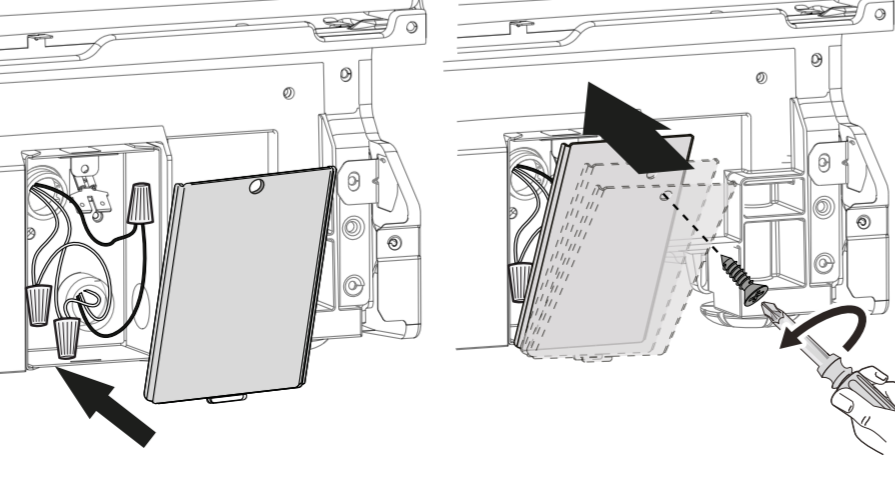
- Retirez le couvercle de la boîte de jonction et branchez le câblage de la maison à l'intérieur de cette dernière. (Reportez-vous à la figure 9)
- Dans la boîte, utilisez un raccord de conduit homologué UL (non compris) pour stabiliser le câblage.
- Branchez le fil entrant noir au fil noir du lave-vaisselle, le fil entrant blanc au fil blanc du lave-vaisselle et le fil entrant vert au fil vert du lave-vaisselle au moyen des connecteurs de fils. (Consultez l'avertissement des instructions de mise à la terre.) Les connecteurs de fils doivent être bien serrés.

Figure 9



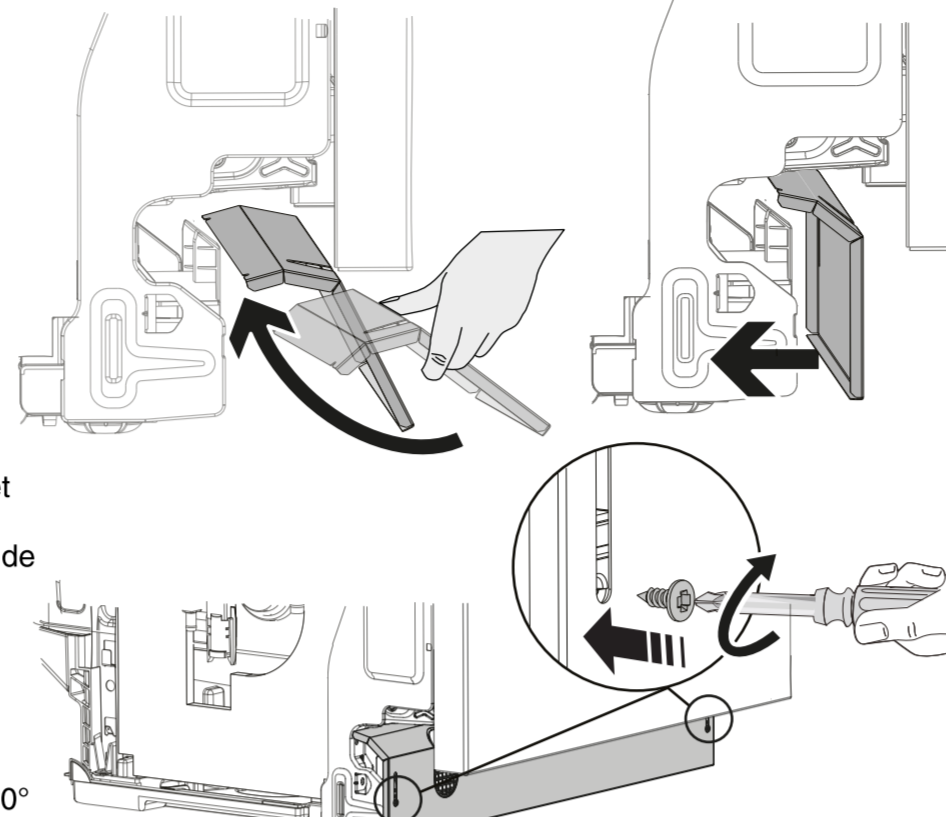
- Remettez le couvercle de la boîte de jonction en place. (Reportez-vous à la figure 10.)

Figure 10



GARDE PIEDS ASSEMBLAGE

Figure 11



AVERTISSEMENT

Risque de choc électrique

Instructions de mise à la terre : Branchez le lave-vaisselle à un système de câbles métalliques permanents mis à la terre ou acheminez un conducteur de mise à la terre avec les conducteurs de circuit et branchez-le à la borne ou au fil de mise à la terre de l'appareil. Il incombe au consommateur de communiquer avec un installateur qualifié pour s'assurer que les installations électriques sont conformes au Code national de l'électricité ainsi qu'aux ordonnances et aux codes locaux.

Ne branchez pas le lave-vaisselle sur l'alimentation électrique avant que l'appareil soit mis à la terre en permanence.

Tous les raccordements électriques doivent être confinés dans la boîte de jonction. Cet appareil est muni de fils de connexion en cuivre.

Le raccordement du fil de bâtiment en aluminium au fil torsadé en cuivre doit être fait par un électricien qualifié au moyen de matériaux homologués UL et recommandés par les codes locaux.

N'utilisez pas de rallonge électrique. Vous pourriez causer un incendie, un choc électrique ou d'autres blessures. Le non-respect de ces instructions peut entraîner de graves blessures, voire la mort.

Achèvement du raccordement au système de vidange 8

- Reportez-vous aux figures 12, 13 et 14 pour connaître les différents moyens de raccorder le lave-vaisselle au système de vidange. Choisissez la méthode qui convient le mieux à vos besoins.

L'entrée doit se trouver au-dessus du siphon

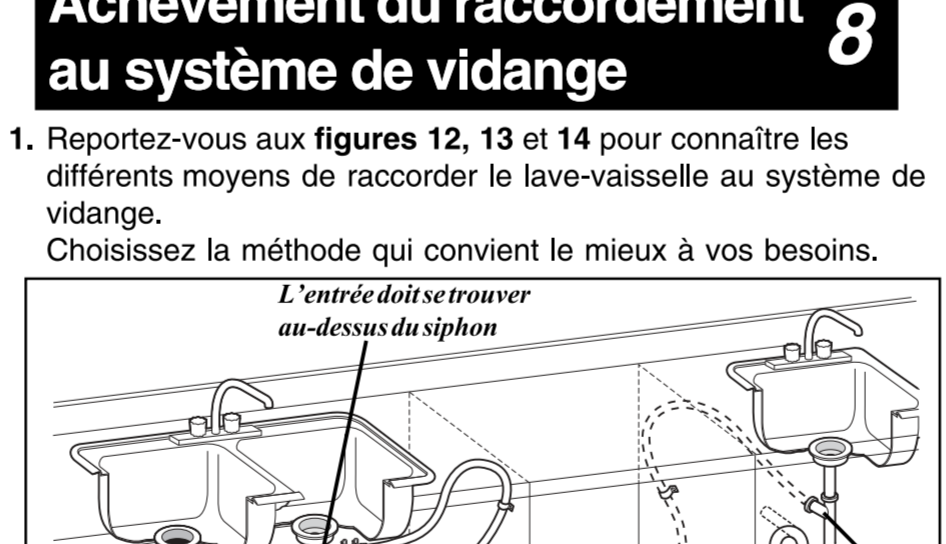


Figure 12

La boucle de dilatation du tuyau doit se situer au moins à 32" (80 cm) du plancher pour assurer une évacuation appropriée de l'eau

- Si vous raccordez le lave-vaisselle au tuyau de vidange de l'évier, l'orifice d'entrée devra se situer au-dessus du siphon. L'achat d'une pièce de raccordement en « Y » et d'un ensemble de raccords (non compris) facilitera cette méthode de raccordement et vous permettra d'obtenir tous les raccords et toutes les instructions dont vous avez besoin. (Reportez-vous à la figure 12.)

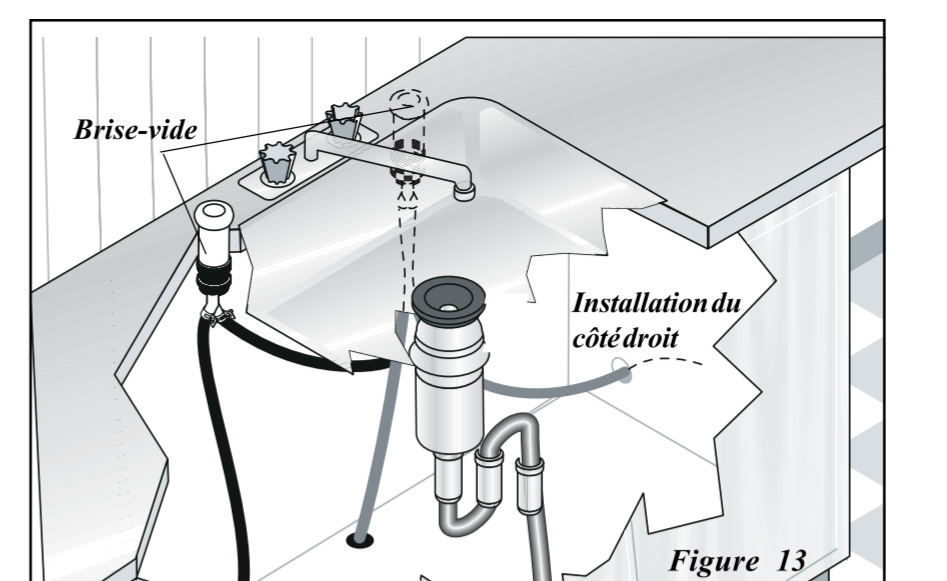


Figure 13

- Si vous raccordez le lave-vaisselle à un siphon d'évier, il se peut que les codes locaux exigent que vous installiez un ensemble de brise-vide (non compris). Le tuyau de vidange sera achevé miné du lave-vaisselle jusqu'à l'orifice d'entrée du brise-vide, comme indiqué sur la figure 13.

Il est possible d'acheter un ensemble de brise-vide dans tous les bons magasins de plomberie. (Si le tuyau de vidange doit passer à travers le plancher, il est nécessaire d'installer un brise-vide.)

- Si vous raccordez le lave-vaisselle à un broyeur à déchets, raccordez-y la plus grande extrémité du tuyau de vidange. (Reportez-vous à la figure 14 (a) Vous devez enlever le bouchon qui se trouve dans l'orifice d'entrée du broyeur à déchets avant d'effectuer le raccordement final au tuyau de vidange. (Reportez-vous à la figure 14 (b))

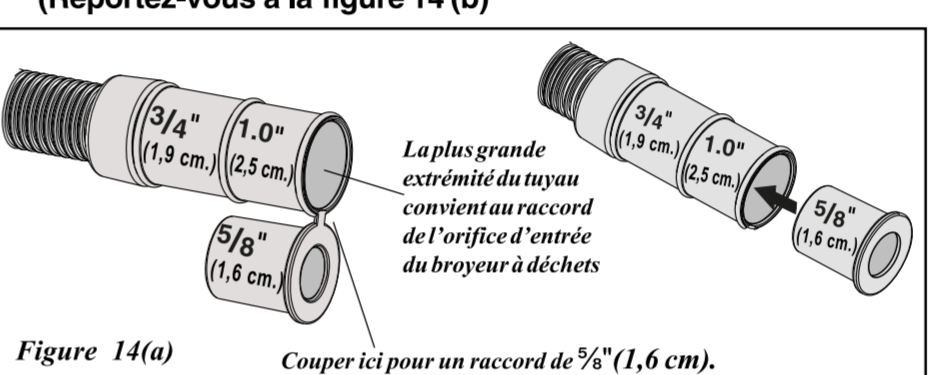


Figure 14(a)

La plus grande extrémité du tuyau convient au raccord de l'orifice d'entrée du broyeur à déchets

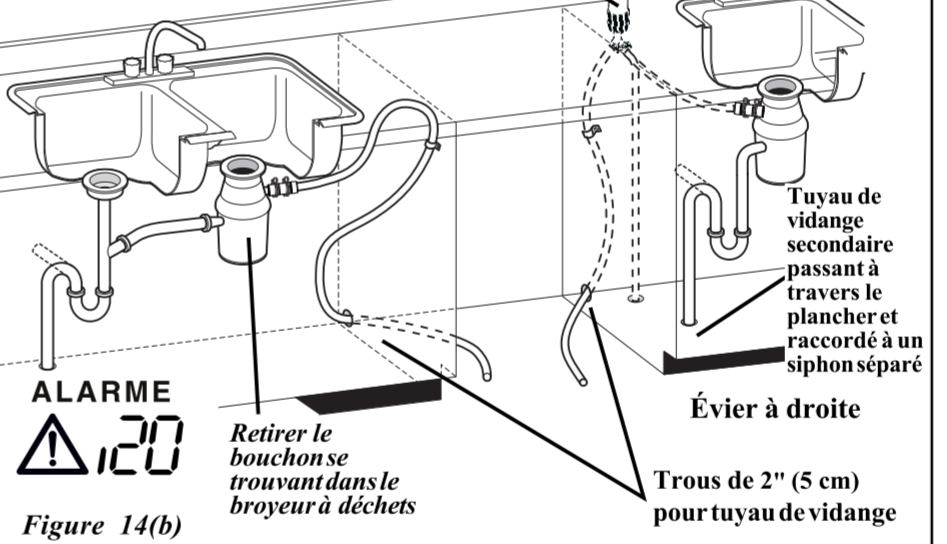


Figure 14(b)

La boucle de dilatation du tuyau doit se situer au moins à 32" (80 cm) du plancher pour assurer une évacuation appropriée de l'eau.

- Si l'armoire est en bois, percez le bord du trou par lequel le tuyau de vidange passera jusqu'à ce qu'il soit lisse et arrondi. Si l'armoire est en métal, recouvrez tous les bords coupants au moyen de ruban isolant ou de ruban à conduits pour éviter de couper le tuyau de vidange.

- Remettez l'appareil en place tout en acheminant le tuyau de vidange dans son trou d'accès. Faites attention de ne pas endommager le lave-vaisselle, le plancher ni les armoires. IMPORTANT : Assurez-vous qu'il n'y a aucune section de tuyau tordue au point d'empêcher le passage de l'eau de vidange.

- Fixez le tuyau de vidange au tuyau de vidange de l'évier, au broyeur à déchets ou au siphon du tuyau de vidange secondaire au moyen d'un collier. IMPORTANT : Faites attention de ne pas trop serrer le collier, sinon vous pourriez endommager l'extrémité du tuyau. Ne branchez pas le tuyau de vidange à un tuyau horizontal entre le tuyau de vidange de l'évier et le broyeur à déchets.

- Assurez-vous que l'appareil ne repose pas sur le tuyau de vidange. Il doit être tenu éloigné des composants électriques et des ressorts de la porte. Ne coupez pas la partie pliée du tuyau de vidange. Faites passer l'excédent à travers la paroi de l'armoire et placez-le sous l'évier. Assurez-vous que le tuyau n'entre en contact avec aucun bord coupant.

AVERTISSEMENT

Risque de choc électrique
Coupez le courant à la boîte de fusibles ou de disjoncteurs avant de commencer l'installation. Le non-respect de cet avertissement peut entraîner des blessures graves, voire la mort.

AVERTISSEMENT

Risque de coupures
Les panneaux de couleur en métal sont coupants et doivent être manipulés avec précaution. Portez des gants pour protéger vos mains. Le non-respect de cet avertissement peut entraîner des blessures.

AVERTISSEMENT

Risque de choc électrique
Si tous les raccordements sont corrects, qu'il n'y a aucune fuite et que l'appareil fonctionne de façon appropriée, remettez le garde-pieds en place avant de mettre l'appareil en service. Le non-respect de cet avertissement pourrait causer des décharges électriques.

- Les conduites d'alimentation en eau et les tuyaux de vidange ne sont pas tordus et peuvent être déplacés librement derrière le lave-vaisselle.

- L'alimentation en eau est ouverte.

- Les joints ne présentent aucune fuite.

- Les raccordements de fils à la boîte de jonction sont bien branchés et tous les panneaux d'accès sont fixés en place.

- Remettez le garde-pieds en place. (Reportez-vous à la figure 11.)

- Le tuyau de vidange est branché à son raccord.

- Tous les matériaux d'emballage et toute la documentation destinée au consommateur ont été retirés de l'appareil.

- Le lave-vaisselle est de niveau et fixé solidement.

- Ouvrez et fermez la porte pour vous assurer qu'elle ne heurte pas les armoires ou le comptoir qui l'entourent.

- Ajustez les pieds de mise à niveau

Vérification de l'installation 9

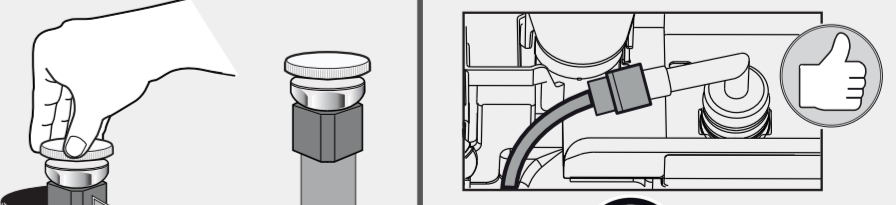
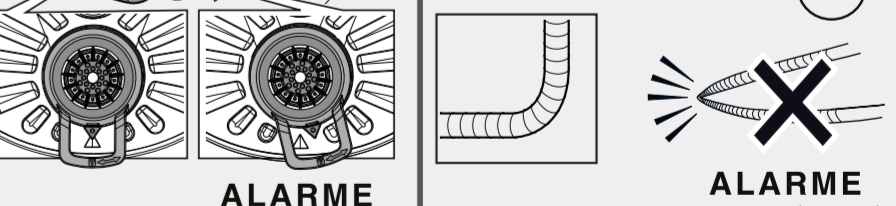
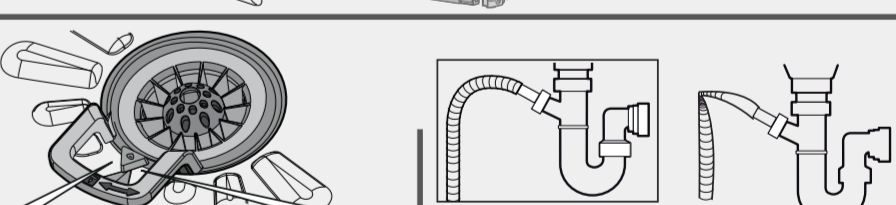
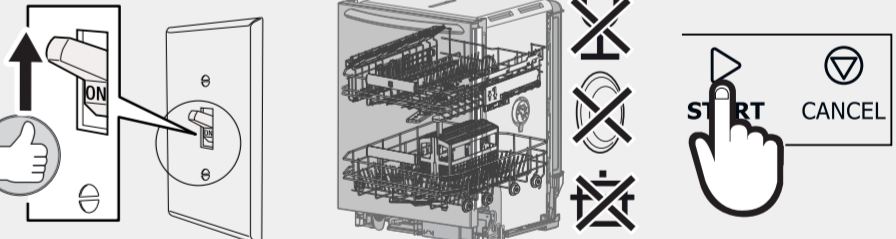
Vérifiez les éléments suivants en faisant fonctionner le lave-vaisselle et en le laissant se remplir et se vider au moins une fois :

- Au premier remplissage (qui devrait durer environ 4 minutes), assurez-vous que l'eau couvre complètement la surface du filtre.

- Au moment de la vidange, assurez-vous que toute l'eau est évacuée. La vidange s'effectue lorsque le programme est terminé ou qu'il est annulé (reportez-vous au Guide d'utilisation et d'entretien pour connaître les détails de la fonction START/CANCEL Mise en marche/annuler).

- Vérifiez à nouveau les raccords d'eau pour voir s'il y a des fuites.

Première utilisation



Instrucciones de instalación

INSTALADOR: deje las instrucciones de instalación con el propietario.

PROPIETARIO: lea el Manual de uso y cuidado del lavavajillas. El mismo contiene información de seguridad importante para el uso de este electrodoméstico. También contiene muchas sugerencias para obtener los mejores resultados de su lavavajillas.

Antes de comenzar:

Lea todas las instrucciones antes de instalar el lavavajillas. Por su seguridad, lea y siga al pie de la letra todas las instrucciones de seguridad.

Esta guía le ayudará a anticipar todas las conexiones eléctricas, de desagüe y agua, además de ayudarlo a seleccionar la mejor ubicación para el lavavajillas.

El lavavajillas se suministra con la función de calefacción de agua.

El lavavajillas está diseñado para la conexión al suministro de agua caliente.

ADVERTENCIA

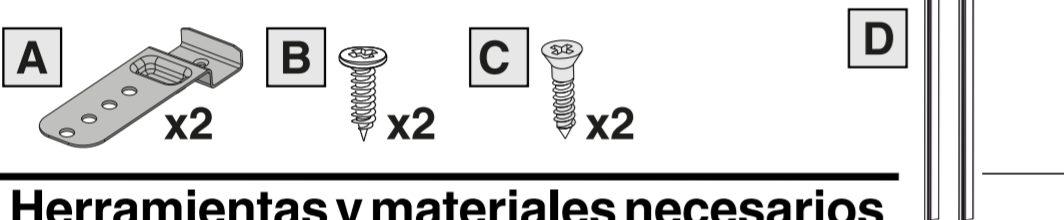
Peligro de tropiezos
No use el lavavajillas hasta que haya sido completamente instalado. No presione la puerta hacia abajo si está abierta. El incumplimiento de esta advertencia puede causar lesiones graves o la muerte.

ADVERTENCIA

Peligro de cortadura
Para evitar lesiones graves causadas por bordes filosos, utilice guantes de trabajo cuando manipule, desempaque o desinstale la unidad.

Sugerencias sobre la instalación

Piezas incluidas:



Herramientas y materiales necesarios para la instalación (no incluidos)

- Taladro eléctrico
- Adaptadores de llave de tubo 5/32", 1/4", 5/16"
- Escariador/cortador de tubería (para tuberías de cobre)
- Linterna
- Nivel
- Compuesto adhesivo para tuberías (para plomería de tuberías de hierro) o cinta adhesiva para roscas de tubería (para el aislamiento de roscas)
- Alicates
- Lentes de seguridad
- SERRUCHO, serrucho de punta o perforadoras de 1/2", 1 1/2" a 2"
- Destornilladores, de punta plana y Phillips Ø 2 (con punta magnética, preferiblemente)
- Guantes de trabajo
- Cinta adhesiva, aislante o para conexiones eléctricas
- Cinta métrica
- Pelador de cables o cuchilla/chuchillo de uso general
- Llave para tuercas hexagonales
- Llaves (2 ajustables, para tuberías de cobre) o 2 llaves para tuberías (de hierro)

Piezas necesarias* (no incluidas)

- Abrazadera para manguera de desagüe, de 1 1/4" (3,1 cm) de diámetro
- Codo de latón, 90° con un acople de compresión NPT 3/4" (Ø 2 cm) -11.5 NH a 3/8" (Ø 1 cm)
- Conector de conducto (con homologación UL)
- Tuercas para cables, tres (3) para cables de calibre 12-14 (con homologación UL)

- * Si se requieren:
- Pieza de unión en "Y" y kit de conexión (consulte el paso 8)
 - Kit de espacio de aire (consulte el paso 8)

Todas las piezas se pueden adquirir en una ferretería o tienda local de venta de artículos de electricidad, plomería y herramientas.

ADVERTENCIA

Riesgo de choque eléctrico
Desconecte el suministro eléctrico en el disyuntor o la caja de fusibles antes de empezar la instalación. El incumplimiento de esta advertencia podría causar lesiones graves o la muerte.

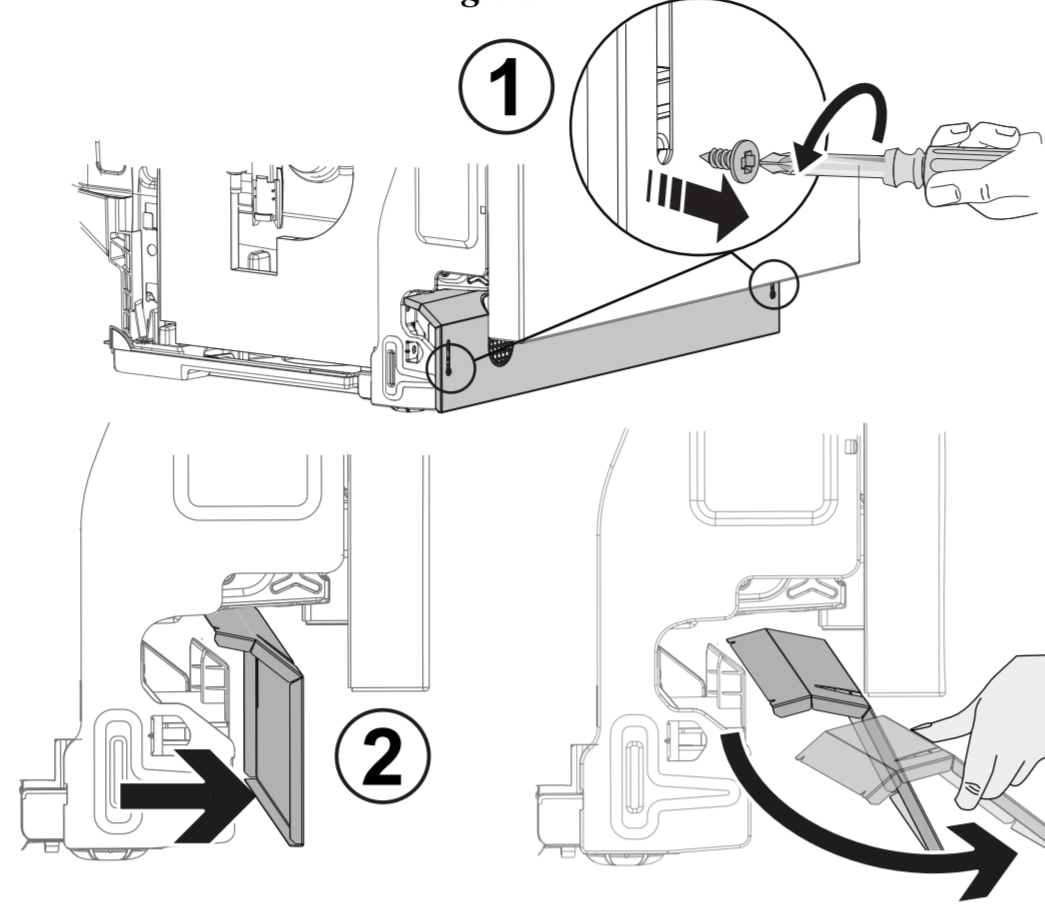
Preparación para la instalación

NOTA: coloque la unidad sobre su parte trasera teniendo cuidado de que la manguera de desagüe del agua no quede aplastada.

- Retire los dos (2) tornillos del conjunto del zócalo delantero, utilizando un destornillador Phillips Ø 2.
- Ladee y empuje hacia adelante el pedal para retirarlo (véase Figura 1).

NOTA: no es necesario retirar la puerta exterior para la instalación de la unidad.

Figura 1



- Localice la válvula de admisión de agua situada detrás de la placa protectora inferior, en el lado inferior izquierdo de la unidad. (véase Figura 4.) La válvula tiene un racor macho 3/4" (2 cm) GHT Garden Hose Thread con 12 TPI.
- Conecte el codo 90° (no incluido) a la válvula de entrada de agua. Cuando quede apretado, el codo debe quedar orientado hacia la izquierda. Para evitar que el soporte se doble o la válvula se parta, no apriete demasiado. (véase Figura 4.)

Preparación del gabinete:

A modo de precaución, se recomienda (pero no es obligatorio) que los gabinetes que alojen el lavavajillas (incluyendo la parte inferior del mostrador) sean sellados con pintura a base de aceite o poliuretano a prueba de humedad para evitar daños por vapor o humedad.

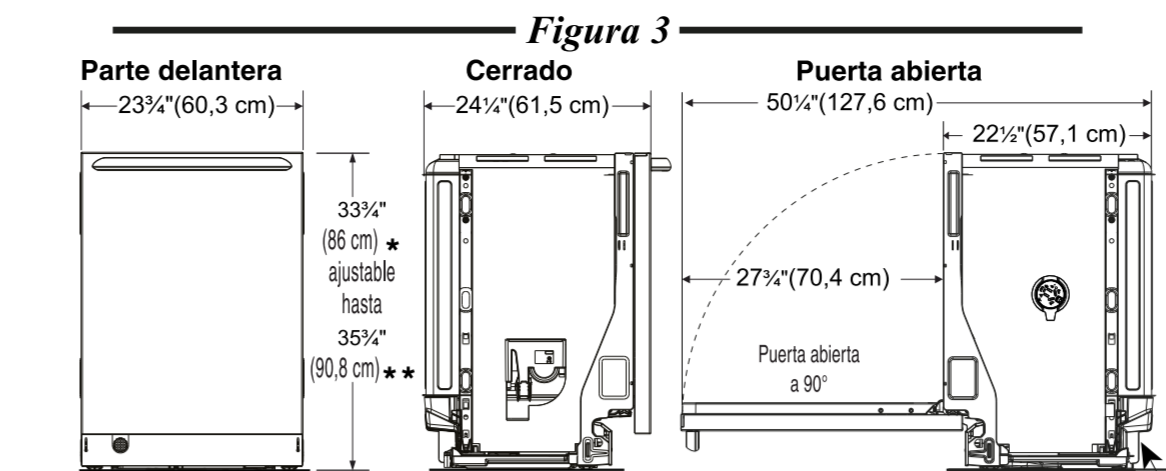
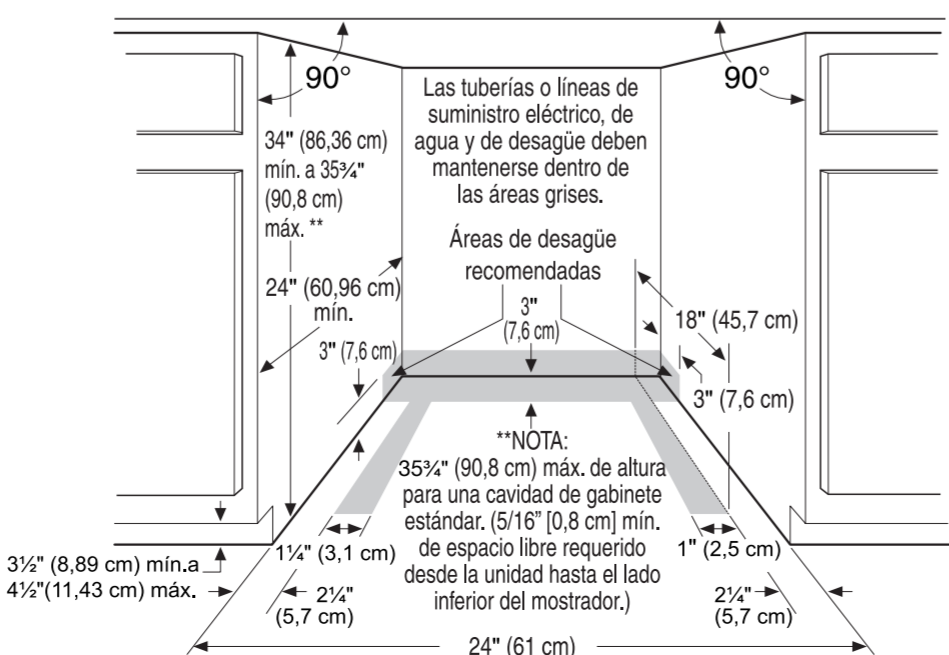
Medición de las dimensiones

ADVERTENCIA

Riesgo de choque eléctrico
Siga todos los códigos y leyes locales para la realización de conexiones eléctricas y de plomería. Todas las instalaciones eléctricas y de plomería deben ser realizadas por personal calificado. El incumplimiento de esta advertencia podría causar lesiones graves o la muerte.

Figura 2

- Asegúrese de que la ubicación elegida esté cerca de las entradas de conexión de desagüe, de agua y eléctrica, para facilitar la sconnexiones. No instale la unidad debajo de una cubierta de cocción. Esto podría causar daños en los tubos/tuberías y demás componentes.



** Altura sólo ajustable a 35 3/4" (90,8 cm) máx. si se realiza la instalación en una cavidad de gabinete estándar de 35 3/4" (90,8 cm) máx.

* LAS DIMENSIONES NO INCLUYEN AISLAMIENTO LA MANTA DE AISLAMIENTO PUEDE COMPRESARSE TRAS LA INSTALACIÓN.

Localización de la fuente de alimentación/entrada de agua

IMPORTANTE: Para el funcionamiento y aspecto adecuado de la unidad, la cavidad del gabinete debe tener las dimensiones que se muestran en la figura 2. Si la unidad se va a colocar en una esquina, debe dejarse un espacio libre de al menos 2" (5,08 cm) a cada lado, para la apertura de la puerta.

2. El piso debe ser liso y no debe haber obstrucciones de ningún tipo.

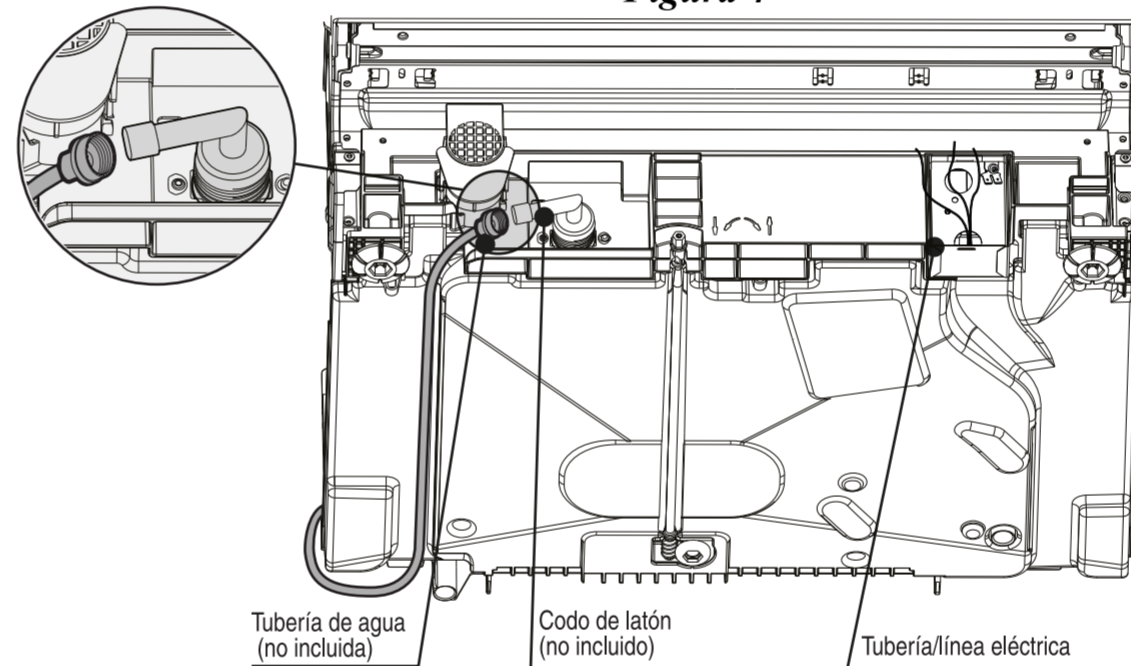
IMPORTANTE: las tuberías/líneas de desagüe, agua y eléctricas deben ser medidas antes de avanzar en la instalación.

ADVERTENCIA

Riesgo de choque eléctrico
Las tuberías o líneas de suministro eléctrico, de agua y de desagüe deben mantenerse dentro de las áreas grises que se muestran en la figura 2. De lo contrario, los conductores eléctricos, de agua y de desagüe podrían averiarse. Cualquier falla debido al no seguimiento de estas instrucciones puede causar fuego o choques eléctricos.

NOTA: si el lavavajillas se instala en un extremo de un gabinete, tanto los laterales, como la parte trasera del aparato deben quedar completamente dentro del mueble.

Figura 4



Conexiones eléctricas, de agua y de desagüe

Ubicación de las conexiones

- Revise las dimensiones de la Figura 2 para determinar la ubicación de las conexiones de desagüe, de agua y eléctricas del lavavajillas.
- Todas las conexiones de suministro deben realizarse dentro del área gris que se muestra en la Figura 2.

ADVERTENCIA

IMPORTANTE: antes de proceder con la instalación, desconecte el suministro eléctrico.

Nota: localice la caja de empalme de suministro eléctrico del lavavajillas, situada en el lado inferior del conjunto de la placa protectora inferior.

Consulte la Figura 4. Determine dónde realizará la conexión para el suministro de agua caliente. Observe en la Figura 4 la ubicación de la válvula de admisión del agua.

Determine dónde realizará la conexión de la manguera de desagüe.

- Corte los agujeros de acceso de la manguera eléctrica, de agua y de desagüe en las zonas sombreadas, como se muestra en la Figura 2.
- El lavavajillas funciona con potencia de suministro eléctrico de 120 voltios y 60 Hz. Se debe contar con un circuito individual con fusible o disyuntor con potencia nominal de 15 amperios (20 amperios si se conecta a un triturador), pero no más de 20 amperios.
- Tire del cable eléctrico a través del agujero, hasta el área de instalación.
- Asegúrese de que la válvula de admisión está protegida contra temperaturas de congelación. Si dicha válvula se congela y se agrieta, puede causar un desbordamiento de agua.
- Determine la longitud de tubería/tubo que se requiere para conectar el suministro de agua caliente a la válvula de admisión de la unidad. Es mejor contar con más longitud de manguera que la necesaria. Se puede usar un tubo/una manguera para alta presión y alta temperatura,

flexible e inoxidable, con un diámetro interior mínimo de 1/4" (0,63 cm). Lo mejor es instalar una válvula de cierre fuera del gabinete donde se instale el lavavajillas.

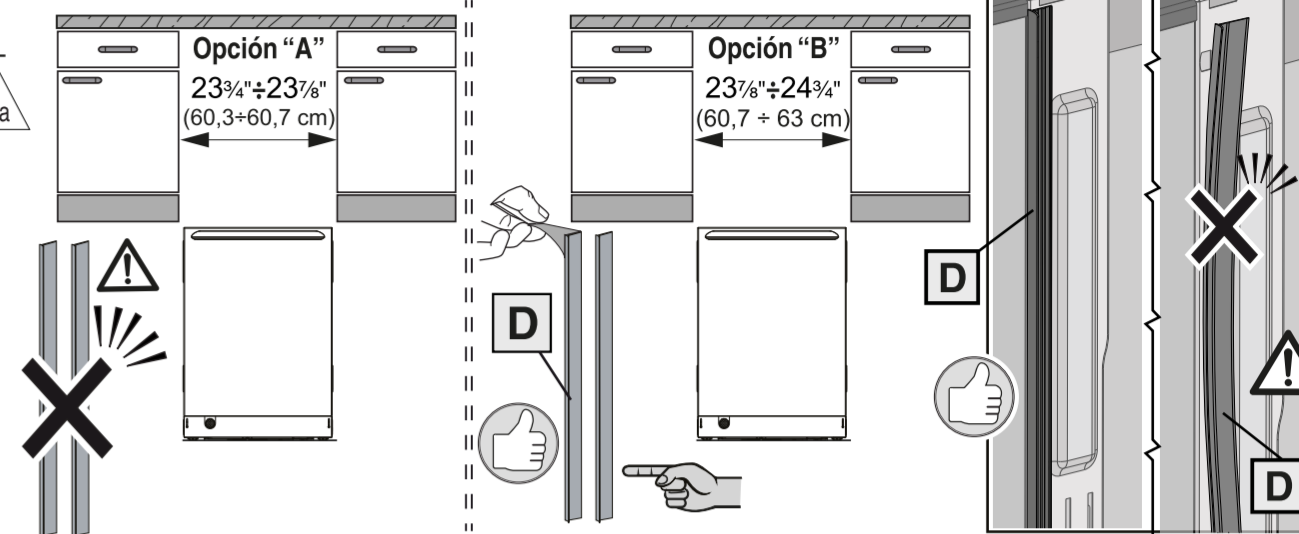
8. Oriente la tubería de suministro de agua hasta el área de instalación.

9. Coloque el lavavajillas en posición vertical para realizar las demás instalaciones.

IMPORTANTE: la temperatura del agua caliente de entrada debe ser de al menos 120°F (49°C). La presión del agua debe ser de entre 20 y 120 psi.

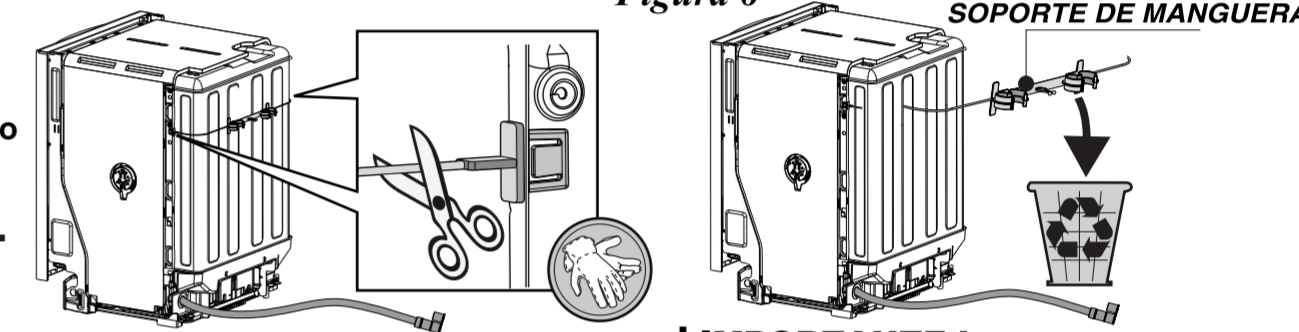
Figura 5

NOTA: Instale la junta del mueble en el lavavajillas antes de colocarlo en el mueble

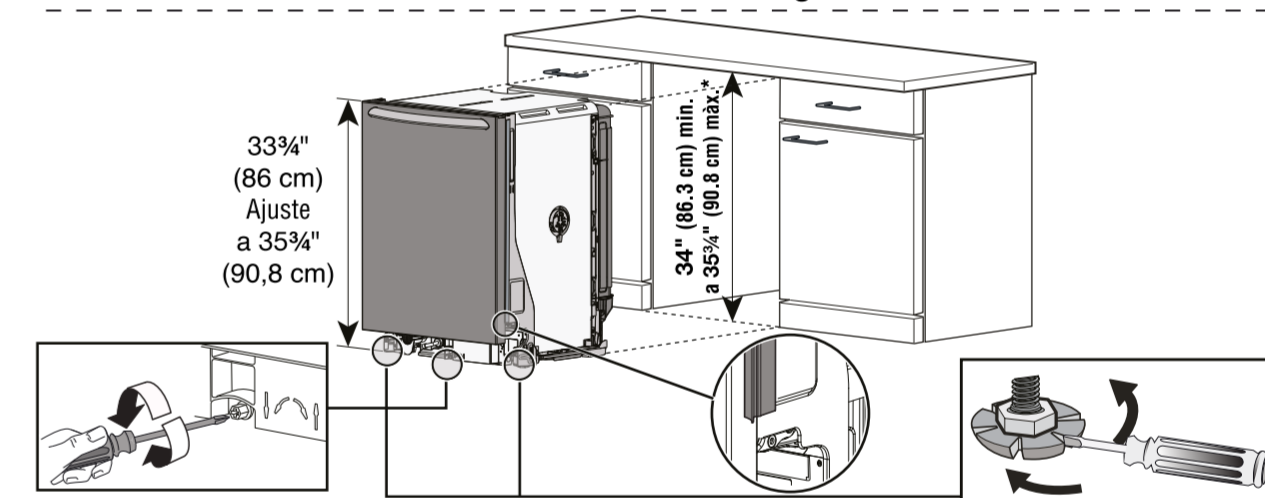


Nivelación y fijación del lavavajillas dentro del gabinete

Figura 6



¡ IMPORTANTE !
Retirar el SOPORTE DE MANGUERA. véase la Figura 6.



- Mida la altura de la cavidad del gabinete desde la parte inferior del mostrador hasta el piso. Consulte la tabla de alturas de la cavidad y ajustes sugeridos.
- Desplace el lavavajillas a la parte delantera del área de instalación.
- Ajuste las patas de nivelación.

Anclaje del lavavajillas

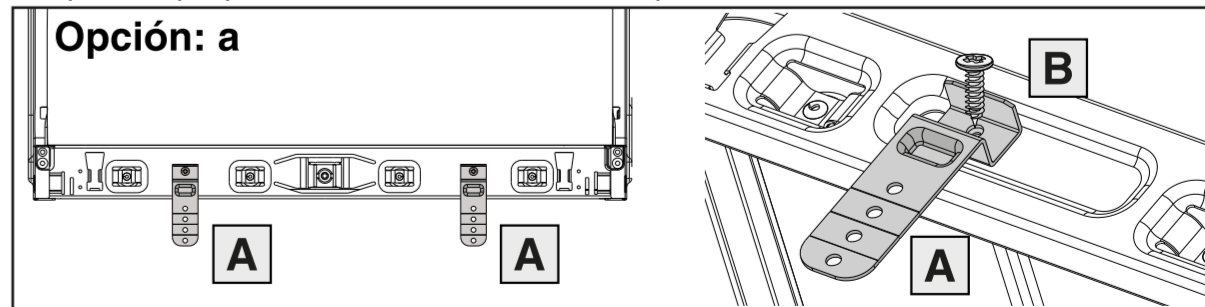
4. Elija uno de los siguientes métodos de fijación de abajo para fijar la unidad. Para cualquiera de montaje superior o lateral de montaje métodos, utilizar los clips (2) de montaje proporcionadas y Pre-taladro agujeros en la superficie de montaje con una broca de taladro de Ø 13/64 (Ø 5 mm) evitar daños en los armarios o en el mostrador.

PRECAUCIÓN:
Tenga sumo cuidado cuando realice el montaje del lavavajillas, a fin de evitar rasguños, golpes o daños a la consola o la tina del aparato.

Para instalar los clips de montaje laterales.

Montaje superior Opción : a

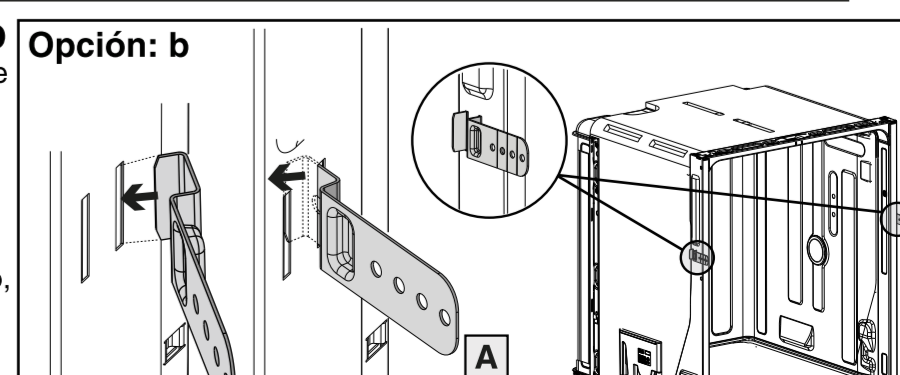
Dependiendo de la profundidad del armario, la parte superior clips de montaje se rompe puntos que pueden ser eliminado debido a que una instalación a ras de ser necesario.



Opción de montaje lateral: b

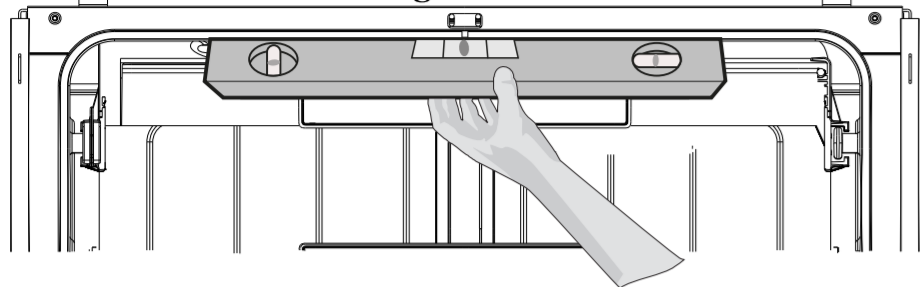
Instale soportes de montaje lateral antes de las unidades está instalado en el gabinete. Inserte los tornillos en el orificio frontal del clips solamente. Tenga mucho cuidado al acoplar los soportes para evitar rascarse para el lavavajillas o los gabinetes de alrededor.

Dependiendo de la profundidad del armario, los clips de montaje tienen descanso puntos de corte que se puede quitar para una instalación a ras de ser necesario.



- Coloque con cuidado el lavavajillas dentro del área del gabinete, de manera que quede centrado en la cavidad. Tenga cuidado al mover el lavavajillas, a fin de evitar daños al gabinete, al lavavajillas y al piso.
- Es necesario que la parte delantera de la puerta quede debidamente alineada con los gabinetes adyacentes. Las patas niveladoras de las puertas deben dejar un espacio de $\frac{5}{16}$ " (0,8 cm) entre la parte inferior del mostrador y la parte superior de la consola.
- Verifique que el lavavajillas queda nivelado entre ambos laterales. Coloque un nivel en la sección superior delantera de la tina del aparato. **Vea la figura 7a.**

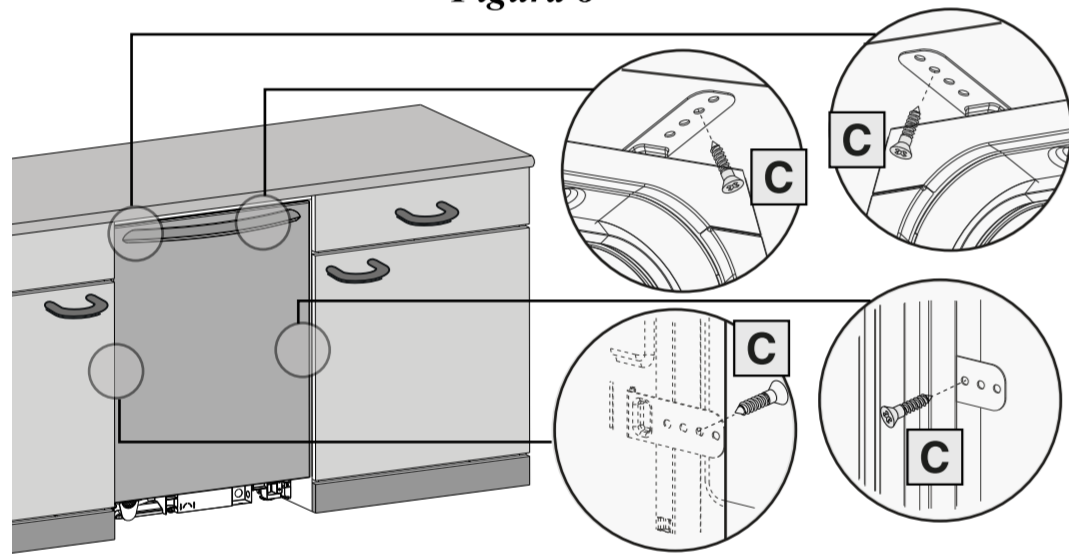
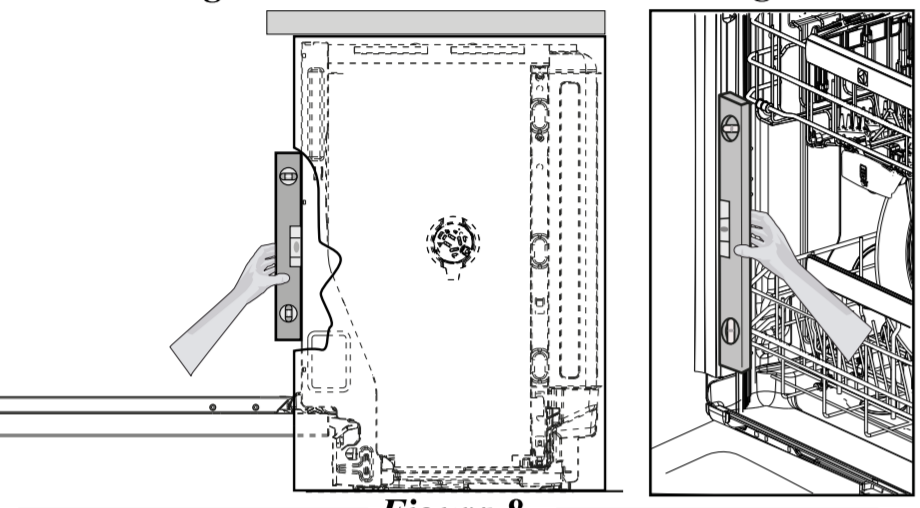
Figura 7a



- Verifique que el lavavajillas queda nivelado desde la parte delantera a la trasera. Saque la rejilla inferior y coloque un nivel sobre el soporte de la rejilla inferior, situado en la parte inferior de la tina del aparato. **Vea la figura 7b/c.**

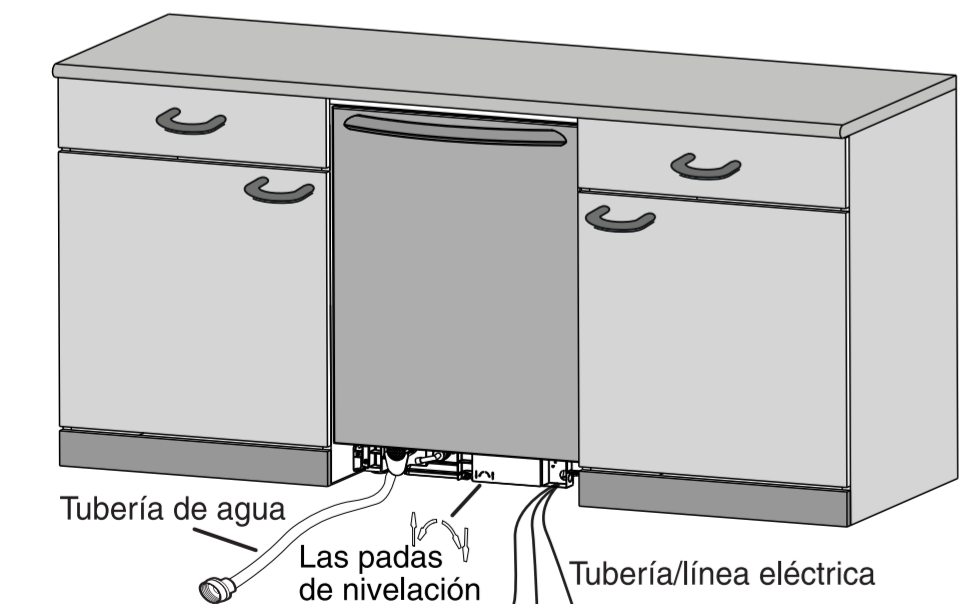
Figura 7b

Figura 7c



- Para fijar la unidad, los agujeros deben ser taladrados previamente con una broca $\frac{13}{64}$ (Ø 5 mm).
- Fije firmemente los soportes de montaje al gabinete con los tornillos incluidos en el paquete de la documentación. **Vea la figura 8.**
- Abra y cierre despacio la puerta del lavavajillas. Asegúrese de que haya suficiente espacio libre para la consola. Ajuste la puerta adecuadamente hasta que se abra y se cierre libremente.

Diagrama de instalación 6



Verifique lo siguiente:

- Las tuberías/líneas eléctricas y de agua se extienden de forma recta fuera de la parte delantera del lavavajillas.
- Las cuatro patas niveladoras están ajustadas y situadas correctamente.
- Se ha aplicado sellado/aislamiento en los laterales del gabinete donde se ha instalado el lavavajillas.
- Los soportes de anclaje al gabinete se instalan al gabinete por ambas esquinas superiores del lavavajillas.

Terminación de la conexión eléctrica y de agua 7

Tubería de agua

- Purgue la tubería de agua antes de conectarla a la válvula de admisión de agua, a fin de evitar que se obstruya demasiado pronto la malla del filtro. Cubra el extremo de la tubería con una toalla, a fin de evitar salpicaduras. Abra la válvula de admisión de agua durante algunos segundos y deje que el agua caiga sobre la bandeja de desagüe. **Cierre el suministro de agua con la válvula de cierre.**
- Orienta la tubería de agua hasta la válvula de admisión de agua, como se muestra en la figura 4.
- Mientras tira firmemente de la tubería de suministro de agua hasta el codo de 90°, conecte firmemente el suministro de agua a la válvula de admisión de agua. La tubería de suministro debe quedar libre de aplastamientos, incrustaciones, astillas y lubricantes.
- Abra el agua y verifique que no hay fugas.

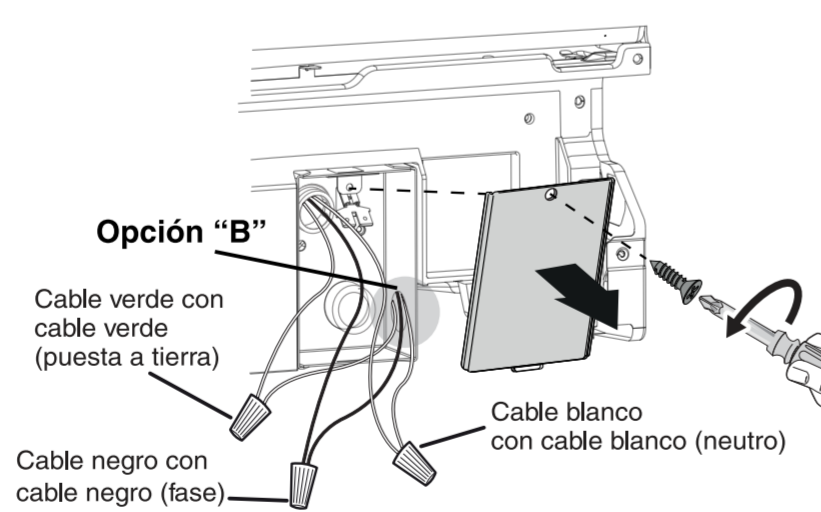
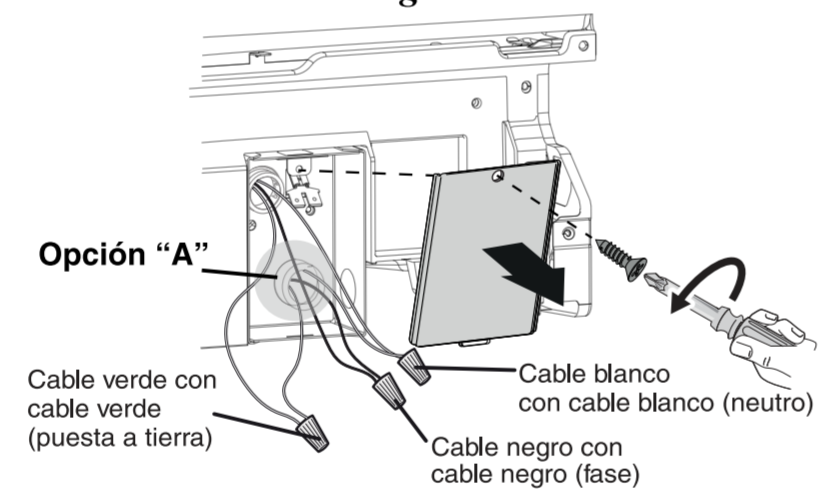
Suministro eléctrico

- Quite la tapa de la caja de empalme y alargue los cables de la vivienda hasta dicha caja. **Vea la figura 9.**
- Use un conector de conducto con homologación UL (no incluido) en la caja, para estabilizar el cableado.
- Conecte el cable de entrada negro de la vivienda con el cable negro del lavavajillas, el blanco con el blanco y el verde con el verde, utilizando las tuercas de fijación de los cables. (Consulte la advertencia en las instrucciones de puesta a tierra.) Las tuercas de unión de los cables deben quedar apretadas.

ADVERTENCIA

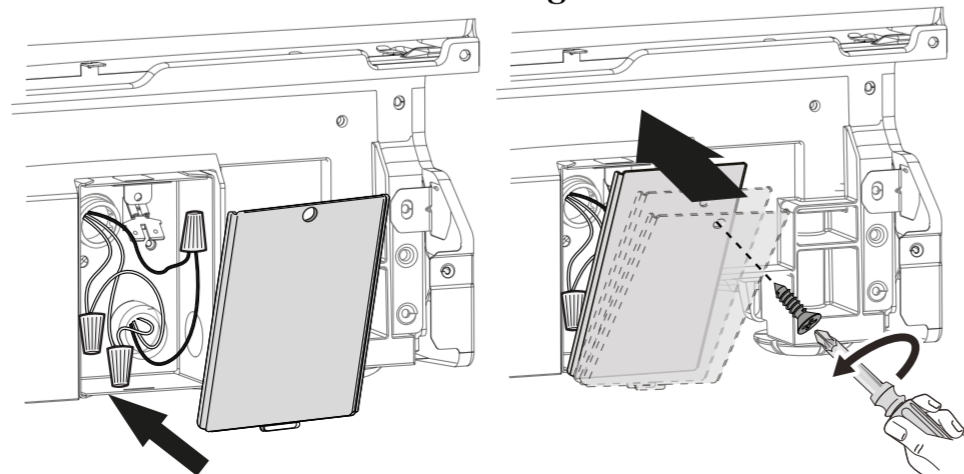
Daños a la propiedad
No realice soldaduras a 6" (15,24 cm) de la válvula de admisión de agua. Esto puede causar daños a las piezas plásticas de la válvula. Tenga cuidado de que no entren partículas de sellador, suciedad u otros objetos en la válvula. Esto podría causar daños a la malla del filtro.
Asegúrese de que el lavavajillas quede instalado en un área donde la válvula de admisión no se congele. Si dicha válvula se congela, podría agrietarse y causar un desbordamiento de agua.

Figura 9



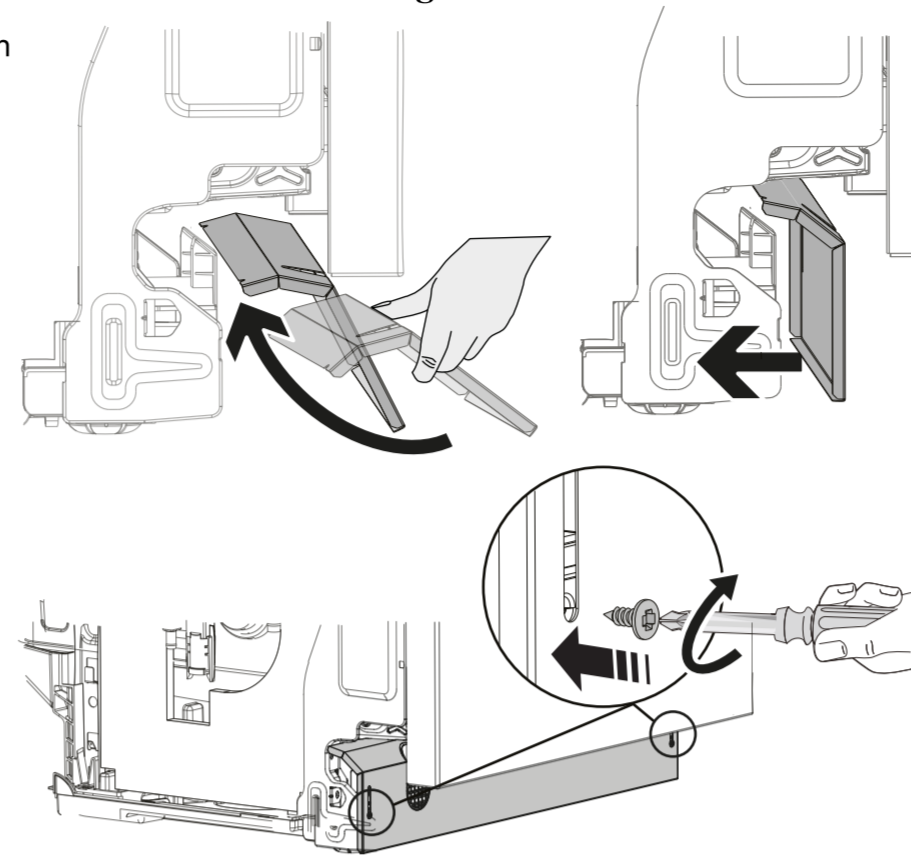
- Vuelva a colocar la tapa de la caja de empalme. **(Vea la figura 10)**

Figura 10



MONTAJE DEL ZÓCALO

Figura 11



ADVERTENCIA

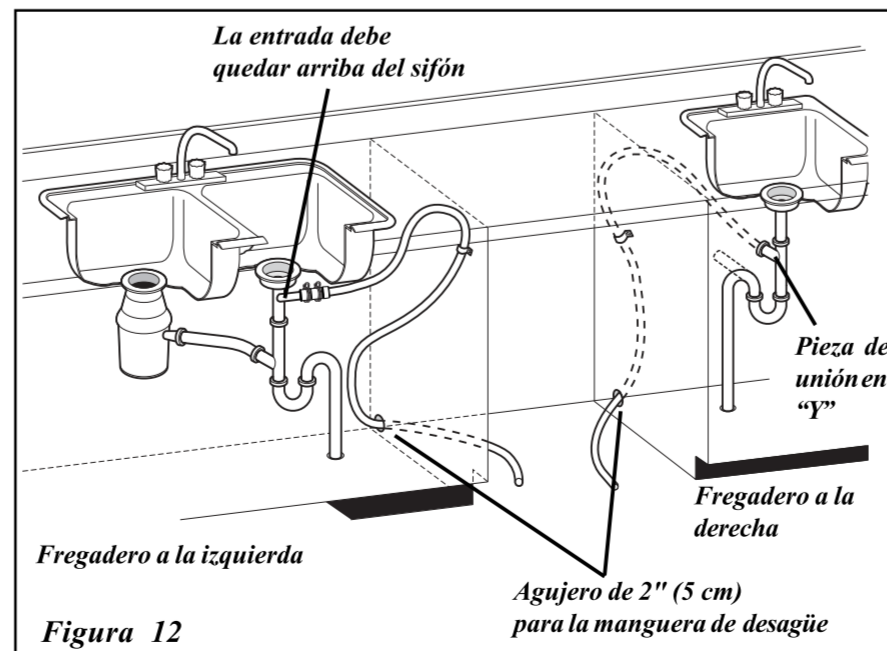


Riesgo de choque eléctrico

Instrucciones de puesta a tierra:
Este lavavajillas debe conectarse a un metal de conexión a tierra, a un sistema de cableado permanente, o bien se debe colocar un conductor de conexión a tierra que esté conectado con los conductores del circuito y con la terminal o el cable de conexión a tierra del equipo del electrodoméstico. Es responsabilidad del consumidor consultar a un instalador calificado, a fin de asegurarse de que la instalación eléctrica cumple con las normas y reglamentaciones del código nacional (estadounidense) sobre electricidad ("National Electrical Code").
No conecte el lavavajillas al suministro eléctrico hasta que el electrodoméstico esté debidamente puesto a tierra.
Todas las conexiones de cableado deben quedar dentro de la caja de empalme. Esta unidad tiene cables de cobre y plomo. El empalme entre un cable de aluminio de la vivienda y un cable trenzado de cobre debe ser realizado por un electricista calificado y se deben usar materiales con homologación UL y que cumplan con las normas locales.
No use un cable de extensión. Esto puede causar un incendio, choque eléctrico o lesiones personales.
El incumplimiento de estas instrucciones podría causar lesiones graves o la muerte.

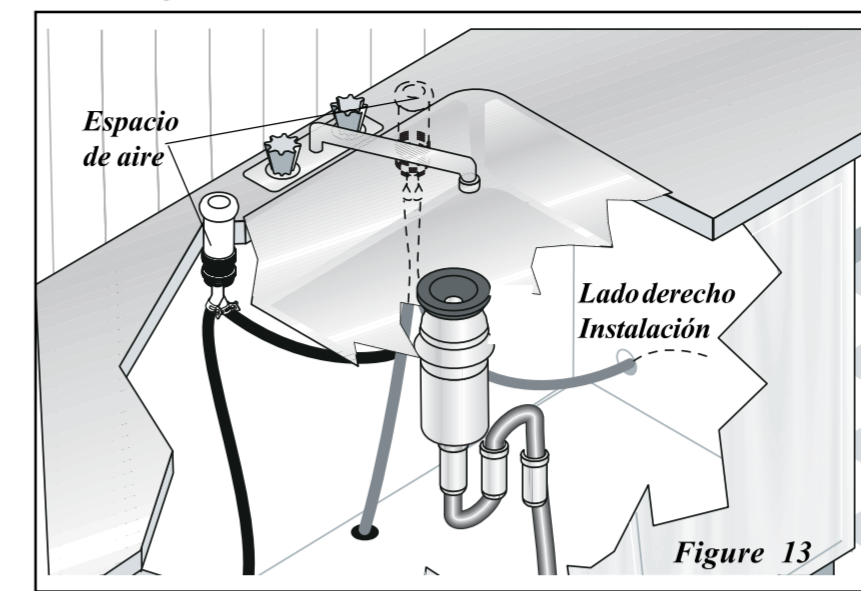
Terminación de la conexión de desagüe 8

- Vea las figuras 12, 13 y 14 para observar las diferentes maneras en que se conecta el lavavajillas al sistema de desagüe. Elija el método que mejor se ajuste a sus requisitos.



El bucle de la manguera de desagüe debe quedar al menos a 32" (80 cm) de altura del piso, a fin de que el desagüe se realice correctamente.

- Si se realiza la conexión al desagüe de un fregadero, la entrada debe quedar arriba del sifón. El uso de una pieza de unión en "Y" y un kit de todos los accesorios e instrucciones necesarios. **Vea la figura 12**



- Si se utiliza un sifón para la conexión, es posible que las normas locales requieran la instalación de un kit de espacio de aire/respiradero, (no incluido). La manguera de desagüe se instalará desde el lava-vaajillas hasta la entrada del respiradero (espacio de aire), como se muestra en la figura 13. Es posible adquirir un kit de espacio de aire/respiradero en cualquier tienda de venta de artículos de plomería. **(Si la manguera de desagüe se instala a través del piso, es necesario un espacio de aire/respiradero).**
- Si se conecta un triturador, éste se podrá ajustar al extremo más grande de la manguera de desagüe. **Figura 14(a). Antes de terminar de acoplar la manguera de desagüe, es necesario retirar el conector de separación del interior de la entrada del triturador.** **Vea la figura 14(b).**

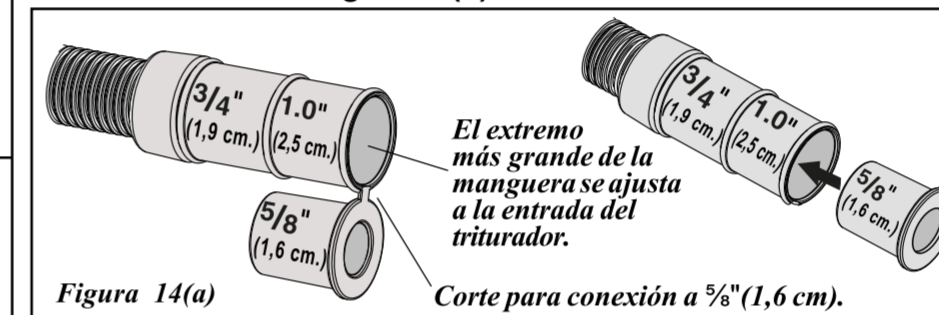


Figura 14(a)

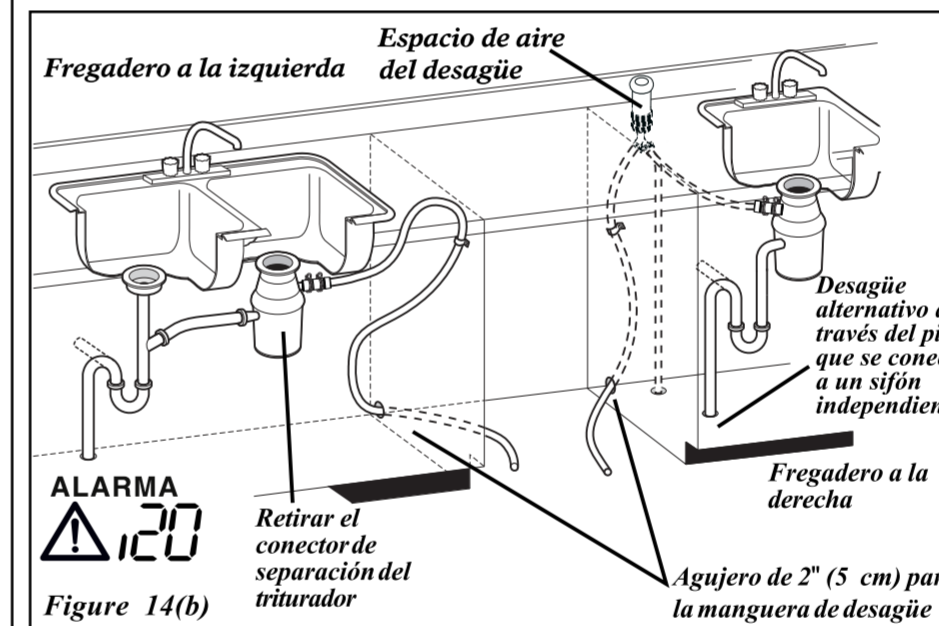


Figura 14(b)

El bucle de la manguera de desagüe debe quedar al menos a 32" (80 cm) de altura del piso, a fin de que el desagüe se realice correctamente.

- Si la pared del gabinete es de madera, lije los bordes del agujero para alisarlos y redondearlos. Si el gabinete es de metal, selle todos los bordes filosos metálicos con cinta adhesiva aislante o para uso eléctrico, a fin de evitar que los bordes corten la manguera de desagüe.
- Vuelva a colocar la unidad en la posición adecuada de instalación y pase la manguera de desagüe a través del agujero de acceso. Tenga sumo cuidado para evitar daños al lavavajillas, al piso y al gabinete.
- IMPORTANTE: Asegúrese de que no haya dobleces filosos o aplastamientos que puedan impedir el flujo en el desagüe.**
- Fije la manguera al desagüe del fregadero, el triturador o el sifón independiente con una abrazadera. **IMPORTANTE: Tenga cuidado de no apretar demasiado la abrazadera o, de lo contrario, podría dañar el extremo de la manguera.** No conecte la manguera a la tubería horizontal situada entre el triturador y el desagüe del fregadero.
- Asegúrese de que la unidad no aplaste la manguera de desagüe. No debe quedar obstruida por los componentes eléctricos y los resortes de la puerta. No se debe cortar la manguera de desagüe si es de tipo corrugado. Tire (a través del gabinete) de la parte de la manguera que sobre y colóquela debajo del fregadero. Asegúrese de que la manguera no toque ningún borde filoso.

ADVERTENCIA

Riesgo de choque eléctrico
Desconecte el suministro eléctrico en el disyuntor o la caja de fusibles antes de empezar la instalación. El incumplimiento de esta advertencia podría causar lesiones graves o la muerte.

PRECAUCIÓN



Peligro de cortadura
Los paneles metálicos de color tienen bordes filosos y deben ser manipulados con cuidado. Utilice guantes para proteger sus manos. El incumplimiento de esta advertencia puede causar lesiones.

ADVERTENCIA



Riesgo de choque eléctrico
Si todas las conexiones están bien, no hay escapes y la unidad funciona correctamente, vuelva a colocar el conjunto de la placa protectora inferior antes de poner la unidad en funcionamiento. El incumplimiento de esta advertencia podría causar choques eléctricos.

- Las tuberías de agua y de desagüe no están aplastadas y se mueven libremente detrás del lavavajillas.
- El suministro de agua está abierto.
- No hay escapes en las uniones.
- Las conexiones de cableado de la caja de empalme están debidamente acopladas. Todos los paneles de acceso están reacomodados debidamente.
- Vuelva a colocar la placa protectora inferior. **Vea la figura 11.**
- La manguera de desagüe está debidamente acoplada al conector para dicha manguera.
- Todos los materiales de empaque y la documentación para el usuario se han retirado del interior de la unidad.
- El lavavajillas está nivelado y debidamente fijado.
- Abra y cierre la puerta para asegurarse de que no golpee las paredes del gabinete o el mostrador que rodean el aparato.

Verificación de la instalación 9

Ponga en funcionamiento la máquina al menos una vez, llenándola y vaciándola, y verifique lo siguiente:

- Durante el llenado por primera vez, aproximadamente a los 4 minutos, asegúrese de que el agua cubra completamente la superficie del filtro.
- Durante el vaciado: (el vaciado tiene lugar cuando el ciclo termina o se cancela; consulte el Manual de uso y cuidado para información sobre el inicio/cancelación) asegúrese de que toda el agua se vacíe.
- Vuelva a inspeccionar las conexiones de agua por si hay escapes de agua.

Primer uso

