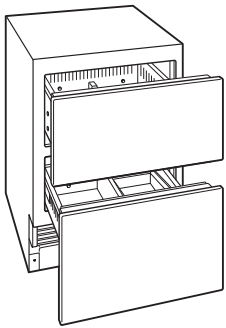


## FEATURES

- Custom front panels and hardware allow for infinite design options.
- Integrated design allows for dual installation and point-of-use refrigeration.
- Interactive smart-touch control panel.
- Smooth-glide, full-extension freezer drawers with adjustable dividers.
- Drawer alarm and smart home features.
- Automatic ice maker with max ice feature temporarily increases production (ID-24FI).



Model ID-24FI



### MODEL OPTIONS

All Freezer	ID-24F
Ice Maker	ID-24FI

### INTERIOR FEATURES

#### FREEZER

- Adjustable drawer dividers
- Removable ice container (ID-24FI)
- Automatic ice maker (ID-24FI)

### ACCESSORIES

- Stainless steel front panels with tubular or pro handles.
- Stainless steel tubular and pro handles.
- Dual installation kit.
- Stainless steel kickplate.
- Air deflector for reduced toe kick.

Accessories available through an authorized Sub-Zero dealer. For local dealer information, visit the find a showroom section of our website, [subzero.com](http://subzero.com).

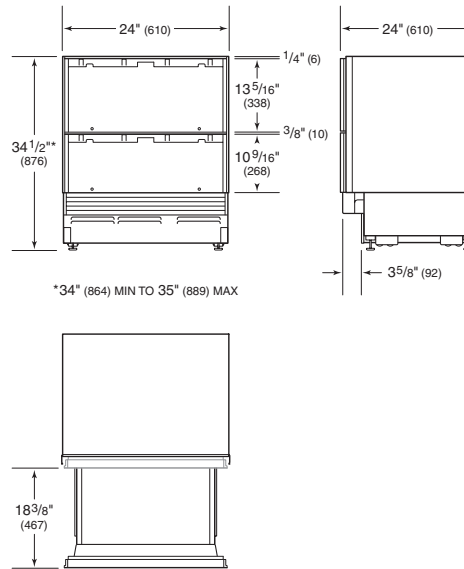
SPECIFICATIONS	
<b>PRODUCT</b>	
Dimensions	24"W x 34 <sup>1</sup> / <sub>2</sub> "H x 24"D
Weight	170 lb
<b>CAPACITY</b>	
Freezer	3.8 cu ft
<b>ELECTRICAL</b>	
Supply Service	115 VAC, 60 Hz 15 amp circuit
<b>PLUMBING</b>	
Supply Pressure	1/4" OD copper, braided stainless steel or PEX tubing 35–120 psi

Product dimensions do not include panels or handles and will vary with panel thickness. Allow for panel thickness when planning the finished opening depth.

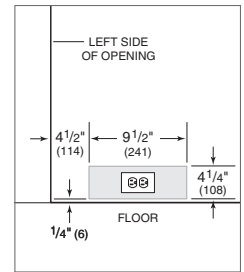
Specifications are subject to change without notice. Visit [subzero.com/specs](http://subzero.com/specs) for the most up-to-date information.

Dimensions may vary ±1/8" (3). Dimensions in parentheses are millimeters unless otherwise specified.

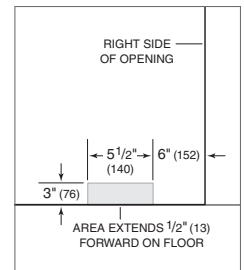
## DIMENSIONS



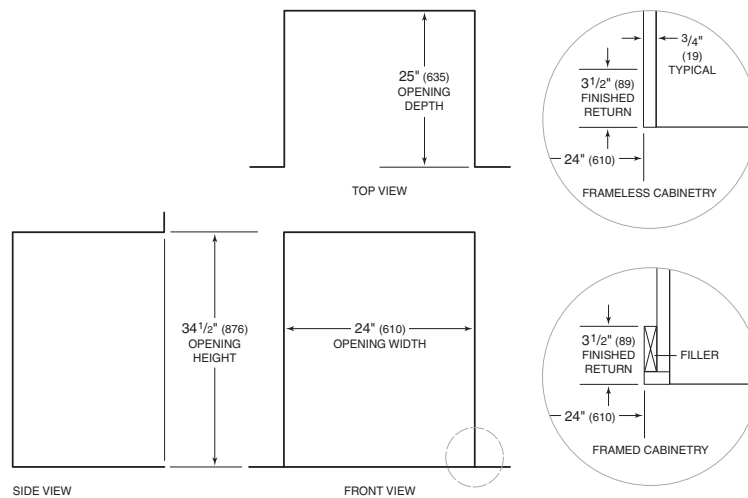
## ELECTRICAL



## PLUMBING



## INSTALLATION



NOTE: 3 1/2" (89) finished returns will be visible and should be finished to match cabinetry.