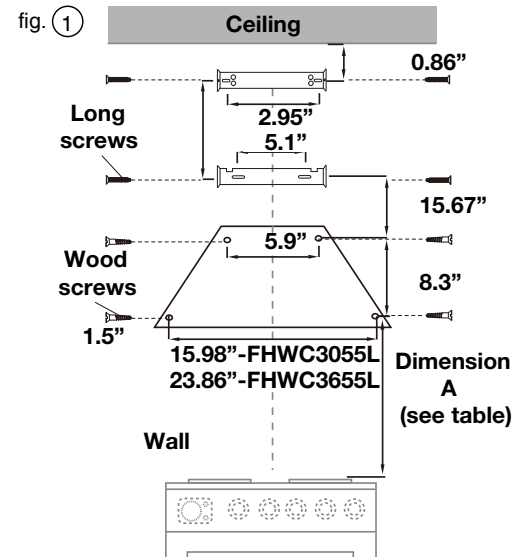


10 Feet Extension Kit- FHW10X55LS - Mounting Manual

Step 1:

- Refer to Installation Manual on range hood or the below table, which shows the location of screw mounting holes (Dimension A) to drill holes to mount range hood. Enclosed template or Fig ① shows the locations to properly mount the upper and lower brackets for chimney covers.



Desired range hood distance above a 36" high cook top

10 Feet Ceiling height									
Mounting height	28"*	29"*	30"*	31"*	32"*	33"	34"	35"	36"
A	29-5/16"	30-5/16"	31-5/16"	32-5/16"	33-5/16"	34-5/16"	35-5/16"	36-5/16"	37-5/16"

*: Recommended mounting height

Step 2:

- Insert the extension chimney ** into the lower chimney from top to bottom (fig. ②).
- Mount the upper / lower chimney on the range hood. (fig. ③, fig. ④)
- Pull the extension chimney to the upward position to match the screw holes of the upper bracket. Mount to the upper bracket with 2 screws: 4mmx12mm (included in the accessory bag with the range hood). (fig. ⑤)

** : If range hood is vented outside and the range hood is being mounted 31" or higher above the cook top, then upper chimney can be inserted upside down (fig. ⑥).

