



ASSEMBLY INSTRUCTIONS
B1334-050, B1334-060
BLUE RIDGE DRESSER & MIRROR

Thank you for purchasing this quality product. Be sure to check all packing materials carefully for small parts, which may have come loose inside the carton during shipment. Identify and count all items and compare with the parts list and / or hardware list as shown below.

MODEL : B1334-050/60
DRESSER & MIRROR

(B1334-60)
 BOX OF MIRROR

NO	ITEM	QTY
A	MIRROR	1 PC
B	MIRROR SUPPORT RAIL WITH ARROW MARKING	2 PCS

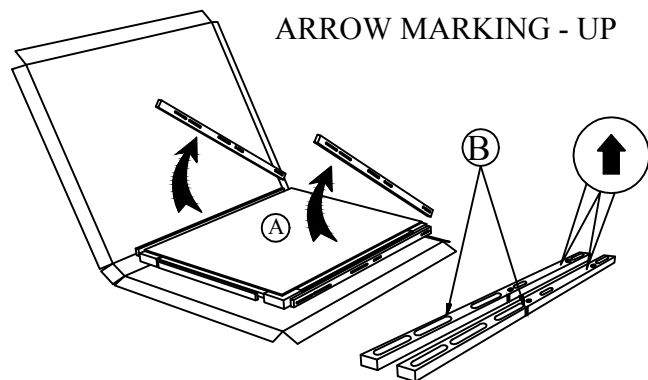
(B1334-50)
 BOX OF DRESSER

NO	ITEM	QTY
C	DRESSER	1 PC

(B1334-60)
 HARDWARE LIST

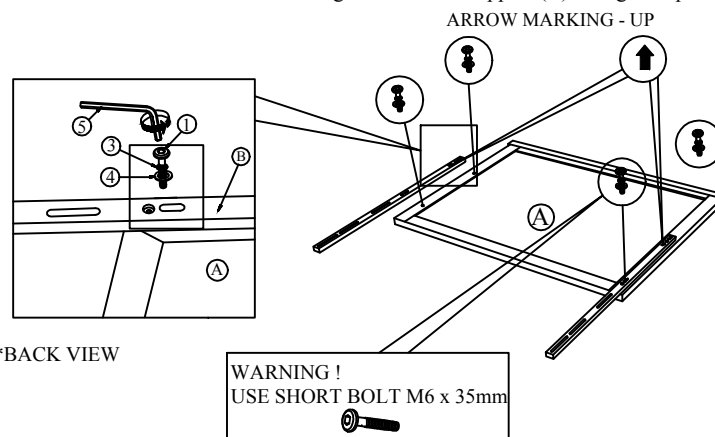
NO	ITEM	QTY
1	JCBC BOLT M6 x 35MM BLK	4 PCS
2	JCBC BOLT M6 x 40MM BLK	4 PCS
3	SPRING WASHER 1/4" RBW	8 PCS
4	FLAT WASHER 1/4" ID x 19mmOD BLK	8 PCS
5	ALLEN KEY m4 x 65mm BLK	1 PC

STEP 1 : Draw out mirror support (B) from the carton box.



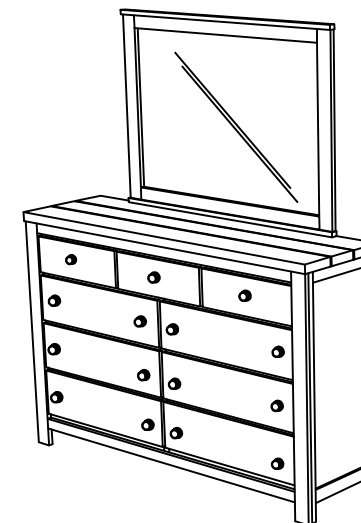
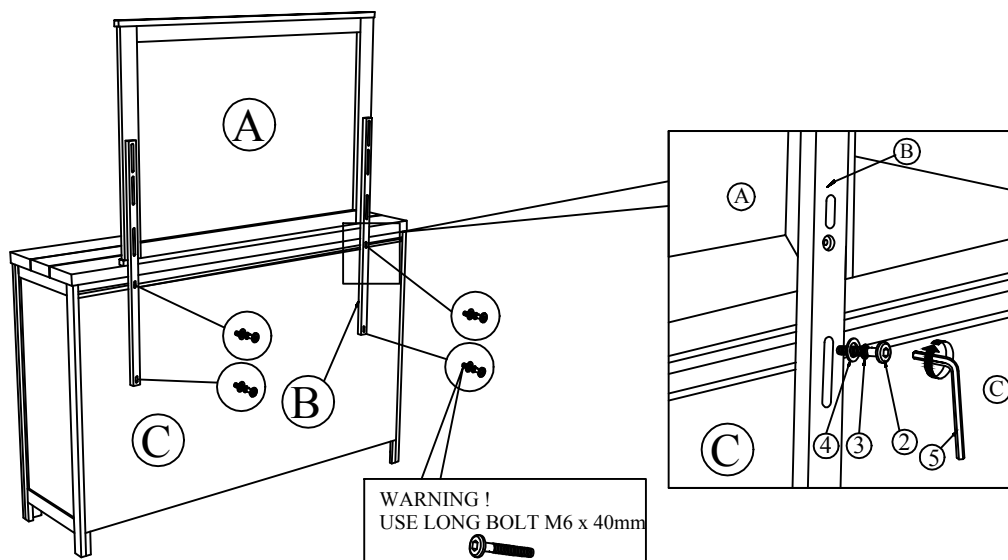
STEP 2 : Align & fasten mirror support (B) to the back of mirror (A) using short JCBC bolt(1), spring washer (3) & flat washer (4). **DO NOT FULLY TIGHTEN AT THIS STEP.**

Note : Make sure arrow marking of the mirror support (B) is aligned up.



STEP 3 :

Place mirror (A) on top of dresser (C). Align & fasten mirror support (B) to the back of dresser (C) using long JCBC bolt (2) , spring washer (3) & flat washer (4) THEN **FULLY TIGHTEN ALL THE BOLTS AT STEP 2 & 3 WITH ALLEN KEY (5).**



COMPLETED
ASSEMBLY

NOTE : MUST TIGHTEN SCREWS PERIODCALLY WITH USE SCREW WILL BECOME LOOSE CHECK TIGHTNESS OF ALL SCREW EVERY 6-8 WEEKS.