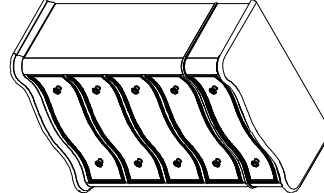
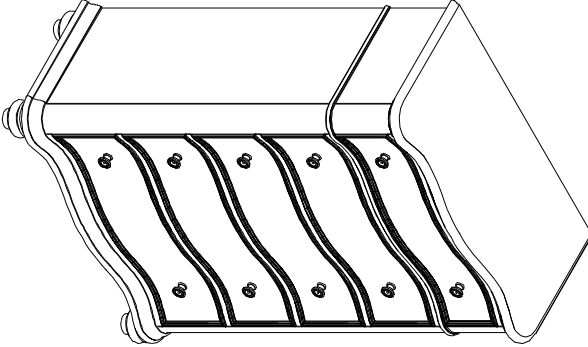




**PARTS LIST / LISTE DES PIÈCES / LISTA DE PIEZAS**  
**ITEM NO./ARTICLE NO./ARTICULO NO: P293124**

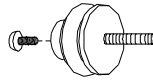
**DESCRIPTION/ LA DESCRIPTION/ DESCRIPCIÓN: Chest/ Commode/ Cómoda**

<b>⚠ WARNING</b>	
	<p>Children have died from furniture tipover. To reduce the risk of furniture tipover :</p> <ul style="list-style-type: none"> <li>• ALWAYS install tipover restraint provided.</li> <li>• NEVER put a TV on this product.</li> <li>• NEVER allow children to stand, climb or hang on drawers, doors, or shelves.</li> <li>• NEVER open more than one drawer at a time.</li> <li>• Place heaviest items in the lowest drawers.</li> </ul> <p><i>This is a permanent label. Do not remove!</i></p>



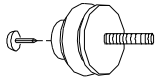
**A**

- x1 Chest
- x1 Commode
- x1 Cómoda



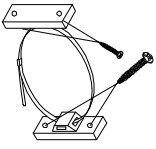
**B**

- x2 Bun Foot (Front) \*
- x2 Pied en forme d'ogive ( Avant)
- x2 Pata redonda ( Delantera)



**C**

- x2 Bun Foot (Back) \*
- x2 Pied en forme d'ogive ( Arrière)
- x2 Pata redonda ( Trasera)





**D**

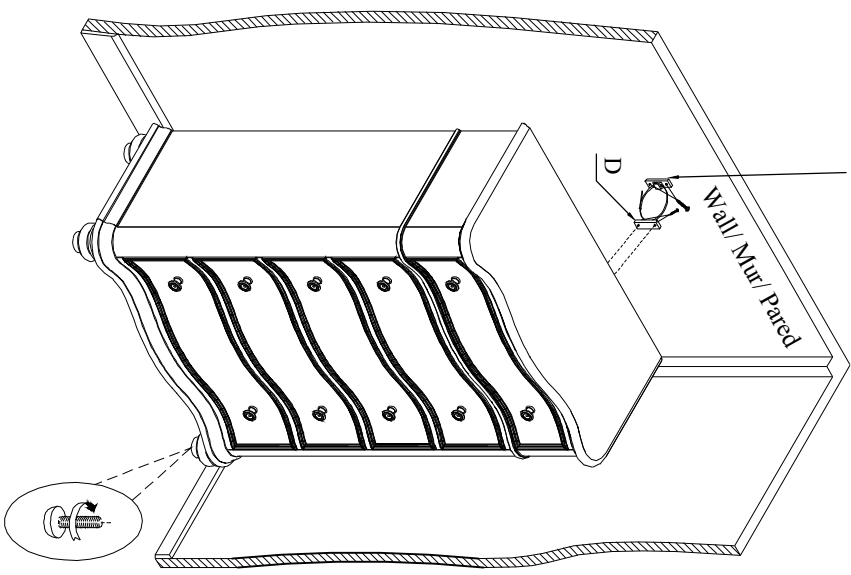
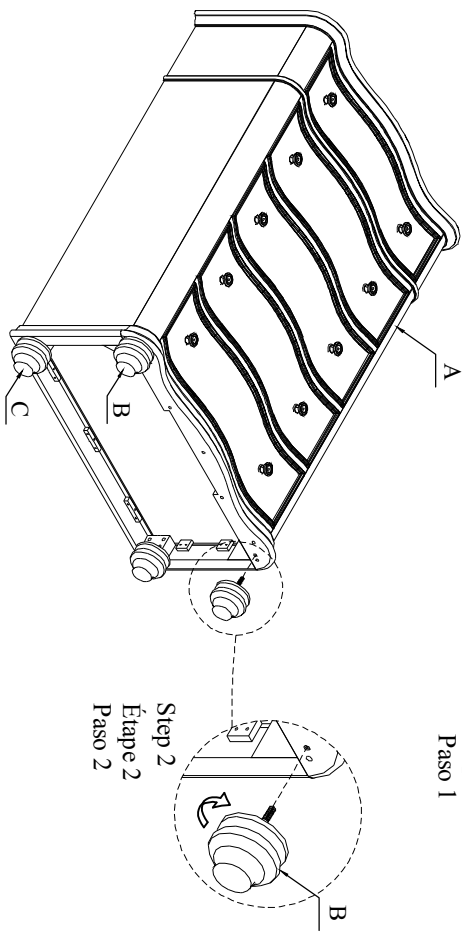
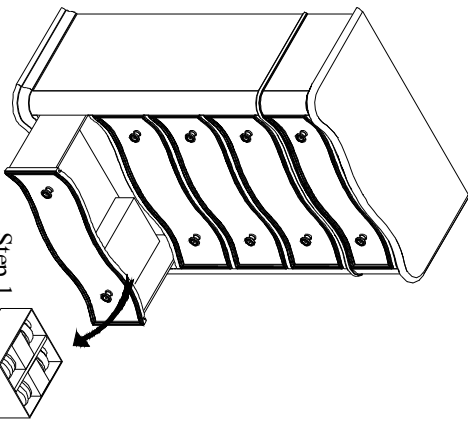
- x1 Tipping restraint \*
- x1 Liste des pièces de quincaillerie antibasculement
- x1 Abrazadera antivuelco

\*Replaceable Part



ASSEMBLY INSTRUCTIONS/ NOTICE DE MONTAGE/ INSTRUCCIONES DE MONTAJE  
 ITEM NO./ARTICLE NO./ARTICULO NO.: P293124  
 DESCRIPTION/ LA DESCRIPTION/ DESCRIPCIÓN: Chest/ Commode/ cómoda

<b>⚠ WARNING</b>
 <p>Children have died from furniture tipover. To reduce the risk of furniture tipover :</p> <ul style="list-style-type: none"> <li>• ALWAYS install tipover restraint provided.</li> <li>• NEVER put a TV on this product.</li> <li>• NEVER allow children to stand, climb or hang on drawers, doors, or shelves.</li> <li>• NEVER open more than one drawer at a time.</li> <li>• Place heaviest items in the lowest drawers.</li> </ul> <p><i>This is a permanent label. Do not remove!</i></p>




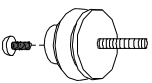
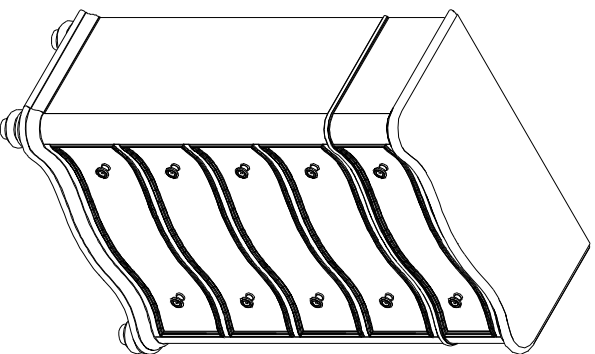
Adjustable leveler  
Patin réglable  
Nivelador ajustable

\*Replaceable Part

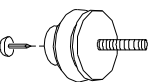


**REPLACEABLE PART / PARTIE REMPLAÇABLE / PARTE REEMPLAZABLE**  
**ITEM NO./ARTICLE NO./ARTICULO NO: P293124**  
**DESCRIPTION/ LA DESCRIPTION/ DESCRIPCIÓN: Chest/ Commode/ Cómoda**

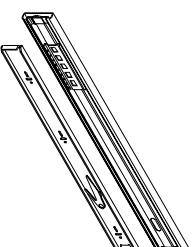
<b>⚠ WARNING</b>	
Children have died from furniture tipover. To reduce the risk of furniture tipover :	
	<ul style="list-style-type: none"> <li>• ALWAYS install tipover restraint provided.</li> <li>• NEVER put a TV on this product.</li> <li>• NEVER allow children to stand, climb or hang on drawers, doors, or shelves.</li> <li>• NEVER open more than one drawer at a time.</li> <li>• Place heaviest items in the lowest drawers.</li> </ul>
	<ul style="list-style-type: none"> <li>• ALWAYS install tipover restraint provided.</li> <li>• NEVER put a TV on this product.</li> <li>• NEVER allow children to stand, climb or hang on drawers, doors, or shelves.</li> <li>• NEVER open more than one drawer at a time.</li> <li>• Place heaviest items in the lowest drawers.</li> </ul>
This is a permanent label. Do not remove!	



**RP293124 FOOTF \***  
 x2 Bun Foot (Front)  
 x2 Pied en forme d'ovignon (Avant)  
 x2 Pata redonda (Delantera)



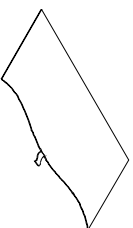
**RP293124 FOOTB \***  
 x2 Bun Foot (Back)  
 x2 Pied en forme d'ovignon (Arrière)  
 x2 Pata redonda (Trasera)



**COMGLIDE-12-45 \***  
 x5 Common Drawer Glide  
 x5 Glissière  
 x5 Carril de deslizamiento



**RP293-KNOBL \***  
 x10 Large Knob with Screw  
 x10 Gros POIGNÉE et vis  
 x10 TIRADOR grande y Tornillo



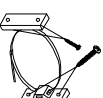
**RP293124-FELT \***  
 x1 Removable Felt  
 x1 Feutre  
 x1 Fieltro



**RC-FG-WHITE \***  
 x2 Common Adjustable Leveler  
 x2 Patin réglable  
 x2 Nivelador ajustable



**RC-WH-NAIL \***  
 x2 Plastic Nail  
 x2 Clou  
 x2 Clavo



**RC-ANTI-TIP \***  
 x1 Anti-tipping Restraint  
 x1 Liste des pièces de quincaillerie antibasculement  
 x1 Lista del kit de materiales antivuelco

\*Replaceable Part