

24-Inch Undercounter Beverage Refrigerator

\$2,599

dacor



DRR24G7400APDA - Panel Ready



Features & Benefits

- Field reversible flush capable hinge
- Panel Ready
- Presenter shelf
- Touch Control
- SteelCool™ full stainless steel interior
- LED 3D Lighting™
- Triple pane UV resistant glass
- R600a refrigerant

Controls

CONTROL TYPE	Touch
WI-FI + SMARTTHINGS	No
SABBATH MODE	Yes

Features

LED LIGHTING	Yes
GLASS DOOR	Triple pane UV resistant
INTERIOR MATERIAL	SteelCool™ (full stainless steel walls)
REFRIGERANT	R600a
SHELVES	2 glass shelves, 1 presenter shelf, 1 plastic shelf

Refrigerator

REFRIGERATOR CAPACITY (CU.FT)	5 (128 cans)
ZONES	1
REFRIGERATOR TEMPERATURE	34° F to 50° F

Weights & Dimensions

NET WEIGHT (LB)	136.4
SHIPPING WEIGHT (LB)	155.1
PRODUCT DIMENSIONS (W x H x D IN INCHES)	23 ³ / ₄ x 34 ³ / ₁₆ to 34 ³ / ₈ x 23 ⁵ / ₈
STANDARD CUTOUT REQUIRED (W x H x D IN INCHES)	24 min. x 34 ¹ / ₄ to 34 ⁷ / ₁₆ x 24 min.

Technical Details

ELECTRICAL REQUIREMENTS	115V, 60 Hz, 15A
--------------------------------	------------------

Warranty

FULL COVERAGE	2 Years
----------------------	---------

Accessories (Optional)

RAW24AMAASR/DA	Panel Kit, Silver Stainless
RAW24AMAAMS/DA	Panel Kit, Graphite Stainless

DRR24G7400APDA - 24-Inch Undercounter Beverage Refrigerator

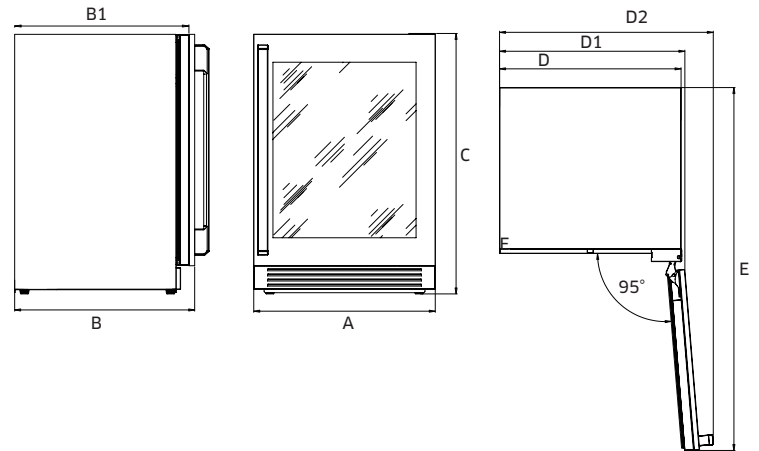
Model numbers, specifications, and prices are subject to change at any time without notice. Visit dacor.com for the most up-to-date information. | Effective June 2024

24-Inch Undercounter Beverage Refrigerator

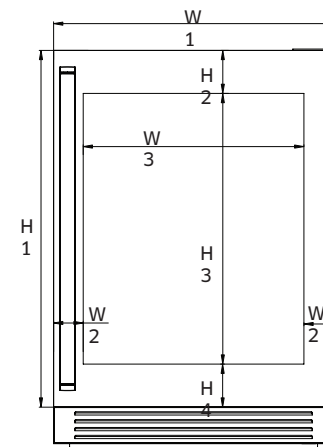
\$2,599



Product Dimensions	
A	23 3/4" (603 mm)
B - WITH PANEL	23 5/8" (600 mm)
B1 - WITHOUT PANEL	22 7/8" (581 mm)
C	34 3/16"-34 3/8"(868mm-873 mm)
D	23 13/16" (605 mm)
D1	24 5/16" (617.5 mm)
D2	28" (712.5 mm)
E	50 13/16" (1290.5mm)



Custom Panel Dimensions	
W1	23 3/4" (603 mm)
W2	2 3/8" (60 mm)
W3	18 11/16" (477mm)
H1	30 3/8" (771mm)
H2	3 3/8" (86 mm)
H3	23 9/16" (598 mm)
H4	3 3/8" (86 mm)
PANEL THICKNESS	3/4" (19 mm)
CUSTOM PANEL THICKNESS	23/32" - 25/32" (18 mm - 20 mm)
MAX WEIGHT	22.0 lb (10 kg)



Cut-out and Utility Location for Built-In Purposes

