

Free-standing range

Installation Manual

HGS8055UC, HGS8045UC, HGS8655UC, HGS8645UC



BOSCH

Invented for life



Installation Instructions

▲ Safety Definitions	3	Technical Data	10
IMPORTANT SAFETY INSTRUCTIONS	4	Installation Checklist	11
Appliance Handling Safety	5	Installation Procedure	11
Safety Codes and Standards	5	How to Remove the Oven Door	11
Electric Safety	5	Fitting the Rear Vent Trim	12
Gas Safety	6	Fitting the Adjustable Feet	12
Propane Gas Installation	6	Connect Gas Supply	13
Related Equipment Safety	6	Install Appliance	14
Conversion to Propane Gas	7	Connect Electrical Supply	16
High Altitude Installation	7	Burner Cap Placement	16
Before You Begin	8	Check the Installation	17
Tools and Parts Needed	8	Test for Gas Leaks	18
Parts Included	8	Conversion to Propane Gas (LPG)	19
Removing Packaging	8	Customer Service	24
General Information	9	How to Obtain Warranty Service	24
Cabinet Requirements	9	Wiring Diagram for HGS8..5UC	25

▲ Safety Definitions

▲ WARNING

This indicates that death or serious injuries may occur as a result of non-observance of this warning.

▲ CAUTION

This indicates that minor or moderate injuries may occur as a result of non-observance of this warning.

NOTICE: This indicates that damage to the appliance or property may occur as a result of non-compliance with this advisory.

Note: This alerts you to important information and/or tips.



IMPORTANT SAFETY INSTRUCTIONS

READ AND SAVE THESE INSTRUCTIONS

⚠ WARNING:

If the information in these instructions is not followed exactly, a fire or explosion may result causing property damage, personal injury or death.

- Do not store or use gasoline or other flammable vapors and liquids in the vicinity of this or any other appliance.
- **WHAT TO DO IF YOU SMELL GAS**
 - Do not try to light any appliance.
 - Do not touch any electrical switch.
 - Do not use any phone in your building.
 - Immediately call your gas supplier from a neighbor's phone. Follow the gas supplier's instructions.
 - If you cannot reach your gas supplier, call the fire department.
- Installation and service must be performed by a qualified installer, service agency or the gas supplier.

⚠ IMPORTANT SAFETY INSTRUCTIONS

READ AND SAVE THESE INSTRUCTIONS

IMPORTANT: THE APPLIANCE MUST BE INSTALLED BY A QUALIFIED INSTALLER.

INSTALLER: LEAVE THESE INSTRUCTIONS WITH THE APPLIANCE AFTER INSTALLATION IS COMPLETE.

IMPORTANT: SAVE FOR THE LOCAL INSPECTOR'S USE.

WARNING

If the information in this manual is not followed exactly, fire or shock may result causing property damage or personal injury.

WARNING

Do not repair, replace or remove any part of the appliance unless specifically recommended in the manuals. Improper installation, service or maintenance can cause injury or property damage. Refer to this manual for guidance. All other servicing should be done by an authorized service provider.

Improper installation is not covered by the warranty.

WARNING

TIP OVER HAZARD

A child or adult can tip the range over and be killed.

Install the anti-tip device to the structure and/or the range. Verify the anti-tip device has been properly installed and engaged.

Engage the range to the anti-tip device. Ensure the anti-tip device is re-engaged when the range is moved.

Re-engage the anti-tip device if the range is moved. Do not operate the range without the anti-tip device in place and engaged.

See installation instructions for details.

Failure to follow the instructions in this manual can result in death or serious burns to children and adults.

Check for proper installation and use of the anti-tip bracket. Carefully tip the range forward pulling from the back to ensure that the anti-tip bracket engages the range leg and prevents tip-over. The range should not move more than 1" (2.5cm).



Appliance Handling Safety



Hidden surfaces may have sharp edges. Use caution when reaching behind or under appliance.

Wear gloves to avoid cutting fingers on sharp edges during installation.

Unit is heavy and requires at least two persons or proper equipment to move.

Do not lift appliance by the oven door handle. Remove the oven door for easier handling and installation. See the section "Removing/Replacing the Oven Door".

Do not use the oven for storage.

Safety Codes and Standards

This appliance complies with one or more of the following Standards:

ANSI Z21.1 / CSA 1.1 Household Cooking Gas Appliances

It is the responsibility of the owner and the installer to determine if additional requirements and/or standards apply to specific installations.

Installation must conform with local codes or, in the absence of local codes, with the National Fuel Gas Code, ANSI Z223.1/NFPA 54 or, in Canada, the Natural Gas and Propane Installation Code, CSA B149.1.

The appliance must be electrically grounded in accordance with local codes or, in the absence of local codes, with the National Electrical Code, NFPA 70 latest edition or, in Canada, the Canadian Electric Code, CSA C22.1-02.

Electric Safety

WARNING

Before you plug in an electrical cord or turn on power supply, make sure all controls are in the OFF position.

Be sure your appliance is properly installed and grounded by a qualified technician. Installation, electrical connections and grounding must comply with all applicable codes.

Before installing, turn power OFF at the service panel. Lock service panel to prevent power from being turned ON accidentally.

For appliances equipped with a cord and plug, do not cut or remove the ground prong. It must be plugged into a matching grounding type receptacle to avoid electrical shock. If there is any doubt as to whether the wall receptacle is properly grounded, the customer should have it checked by a qualified electrician.

Do not use an extension cord.

Do not use an adapter.

If required by the National Electrical Code (or Canadian Electrical Code), this appliance must be installed on a separate branch circuit.

IMPORTANT SAFETY INSTRUCTIONS

READ AND SAVE THESE INSTRUCTIONS

The circuit breaker should have a contact separation of at least 3 mm on all poles.

Installer – show the owner the location of the circuit breaker or fuse. Mark it for easy reference.

Refer to rating label for more information. See "How to Obtain Warranty Service" under "Customer Service" for rating label location.

Gas Safety

Install a gas shutoff valve near the appliance. It must be easily accessible in an emergency.

Leak testing must be conducted by the installer according to the instructions in this manual.

The appliance and its individual shutoff valve must be disconnected from the gas supply piping system during any pressure testing at pressures in excess of ½ psi (3.5 kPa).

The appliance must be isolated from the gas supply piping system by closing its individual manual shutoff valve during any pressure testing of the gas supply piping system at test pressures equal to or less than ½ psi (3.5 kPa).

The minimum supply pressure must be 1" water column above the manifold pressure printed on the rating label. The maximum supply pressure must not exceed 14.0 inches water column (34.9 Millibars).

A metal flex line or fixed metal pipe shall be used to connect gas to the appliance. If a metal gas line cannot be used, consult your local certified electrician or local electric codes for proper grounding.

IMPORTANT SAFETY NOTICE: Burning gas cooking fuel generates some by-products which are on the list of substances which are known by the State of California to cause cancer or reproductive harm. To minimize exposure to these substances, always operate this unit according to the instructions contained in this booklet and provide good ventilation.

Proposition 65 Warning:

This product may contain a chemical known to the State of California, which can cause cancer or reproductive harm. Therefore, the packaging of your product may bear the following label as required by California:

STATE OF CALIFORNIA PROPOSITION 65 WARNING:



Cancer and Reproductive Harm - www.P65Warnings.ca.gov

Propane Gas Installation

The propane gas tank must be equipped with its own high pressure regulator. In addition, the regulator supplied with this unit must also be used.

The appliance is shipped from the factory for use with natural gas. It must be converted for use with propane. A qualified technician or installer must do the conversion.

This appliance has been certified for safe operation up to a height of 10,000 ft. Exception: To use it with propane

gas, the appliance must be converted in accordance with the propane conversion instructions.

For Massachusetts installations:

- Installation must be performed by a qualified or licensed contractor, plumber or gas fitter qualified or licensed by the state, province or region where this appliance is being installed.
- Shut-off valve must be a "T" handle gas cock.
- Flexible gas connector must not be longer than 36 inches.

Installer - show the owner where the gas shut-off valve is located.

Related Equipment Safety

The appliance should only be used if installed by a qualified technician in accordance with these installation instructions and all applicable regulations and codes. The manufacturer is not responsible for damages resulting from incorrect installation.

Remove all tape and packaging before using the appliance. Destroy the packaging after unpacking the appliance. Never allow children to play with packaging material.

Never modify or alter the construction of the appliance. For example, do not remove leveling legs, panels, wire covers or anti-tip brackets/screws.

To eliminate the risk of burns or fire by reaching over heated surface units, cabinet storage space located above the surface units should be avoided. If cabinet storage is to be provided, the risk can be reduced by installing a hood that projects horizontally a minimum of 5 inches (127 mm) beyond the bottom of the cabinet.

Verify that cabinets above the cooktop are a maximum of 13" (330 mm) deep.

When installing a cooktop over a single oven, be sure to follow both the oven's and cooktop's installation manuals.

Ventilation Recommendations

We strongly recommend the installation of a ventilation hood above this appliance. The hood must be installed according to instructions furnished with the hood.

CAUTION

The appliance should not be installed with a ventilation system that blows air downward toward the burners. This type of ventilation system may cause ignition and combustion problems with the gas cooking appliance resulting in personal injury or unintended operation.

IMPORTANT SAFETY INSTRUCTIONS

READ AND SAVE THESE INSTRUCTIONS

Conversion to Propane Gas

WARNING

Personal injury or death from electrical shock may occur if the appliance is not installed by a qualified installer or electrician.

Any additions, changes or conversions required in order for this appliance to satisfactorily meet the application needs must be made by a qualified technician.

WARNING

This conversion kit shall be installed by a qualified service agency in accordance with the manufacturer's instructions and all applicable codes and requirements of the authority having jurisdiction. If the information in these instructions is not followed exactly, a fire, explosion or production of carbon monoxide may result causing property damage, personal injury or loss of life. The qualified service agency is responsible for the proper installation of this kit. The installation is not proper and complete until the operation of the converted appliance is checked as specified in the manufacturer's instructions supplied with the kit.

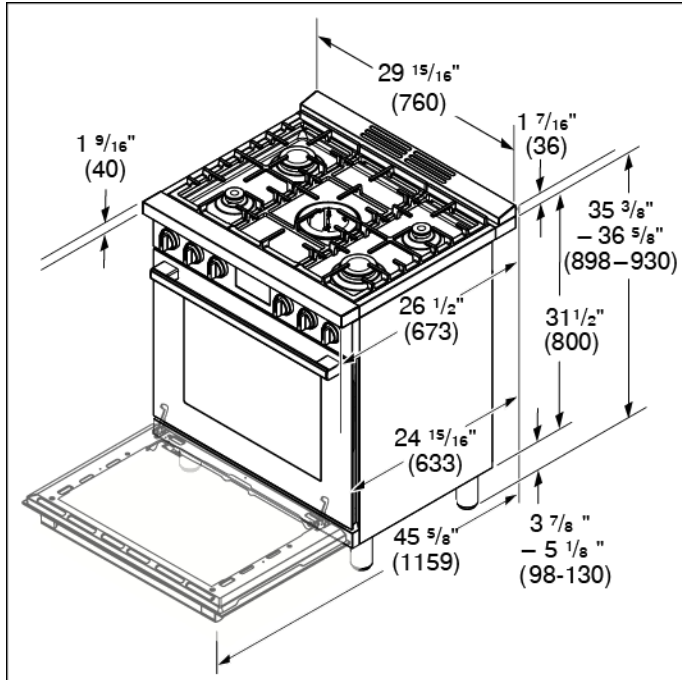
High Altitude Installation

This appliance has been tested for operation up to an altitude of 10,000 ft (3,048 m) elevation above sea level.

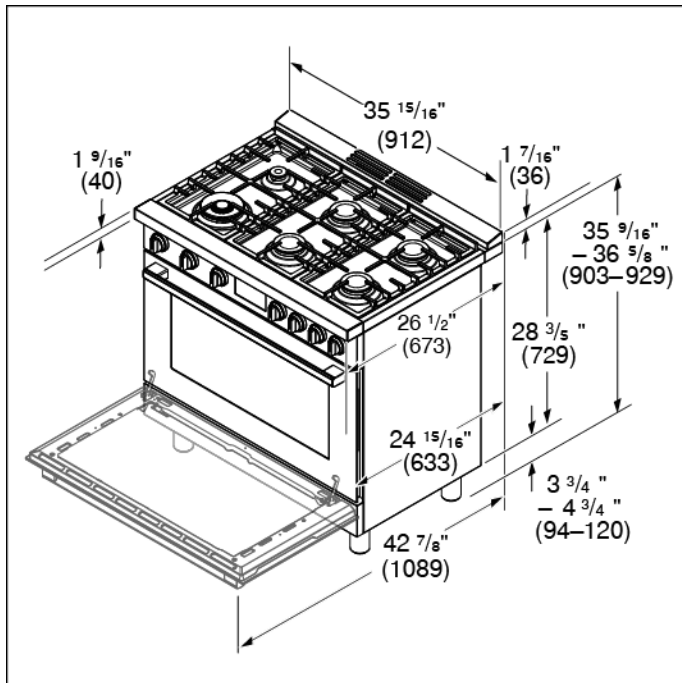
If desired, for altitudes above 2,000 ft (610 m) elevation above sea level, adjustments may be made. Burners should be checked at the lowest setting, if the flame is not stable the simmer should be increased until the flame is stable. This can be done by adjusting the bypass screw in the valve. If flame performance is satisfactory, adjustment will not be required. It is required that a Certified Professional make the high altitude adjustments during installation. High altitude nozzle sets for natural gas and propane gas are available for installations at 2,000-6,500 ft (610-1,981 m) or 6,501-10,000 ft (1,982-3,048 m) if the adjustments using the bypass screw don't resolve performance issues.

General Information

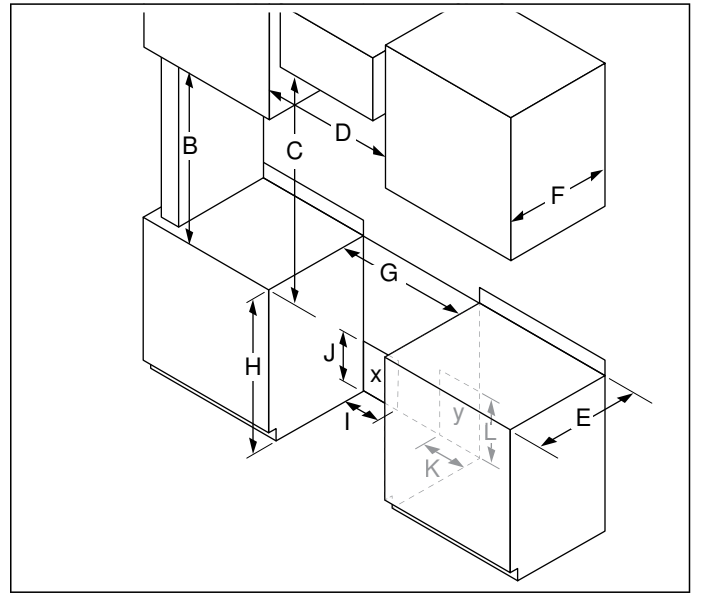
30":



36":



Cabinet Requirements



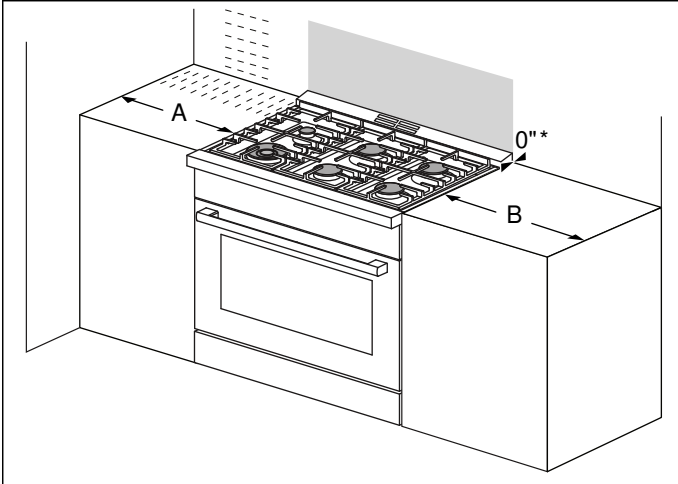
X = Grounded Outlet

Y = Gas Supply Line

The minimum distances that must be maintained when installing the gas cooktop shall be:

- B** minimum 18" (457 mm)
- C** minimum 30" (762 mm) clearance between the top of the cooking surface and the bottom of the unprotected wood or metal cabinet
- D** 30": minimum 30" (762 mm)
36": minimum 36" (914 mm)
- E** minimum 25" (635 mm)
- F** maximum 13" (330 mm)
- G** 30": minimum 30" (762 mm)
36": minimum 36" (914 mm)
Zero clearance between adjacent combustible construction below the countertop surface and sides of the appliance.
- H** 35³/₈ - 36⁹/₁₆ (898 - 930 mm)
- I** 11" (279 mm)
- J** 7" (178 mm)
- K** 6" (150 mm)
- L** 11" (279 mm)

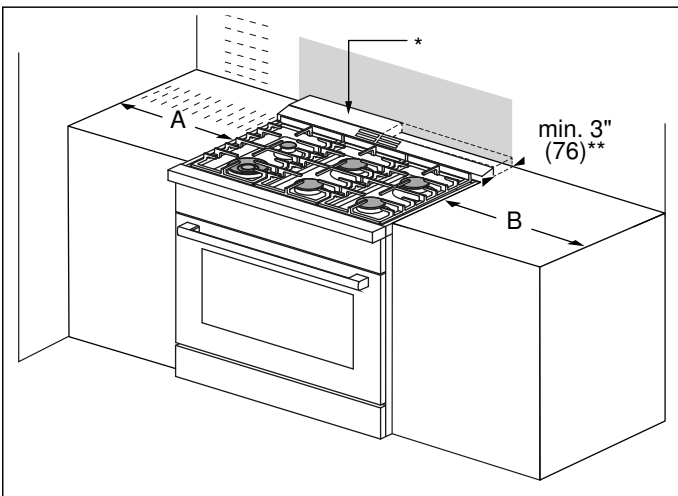
Choose one of the following built-in configurations.
Installation allowed only with non combustible back wall



- Option 1: A \geq 12" (305 mm) and B \geq 28" (711 mm)
- Option 2: A \geq 28" (711 mm) and B \geq 12" (305 mm)

* Clearances from non-combustible materials are not part of the ANSI Z21.1 scope and are not certified by Intertek. Clearances of less than 3" (76 mm) should be approved by the local codes and/or by the local authority having jurisdiction.

Island Installation (applicable both with non combustible back wall and combustible back wall)

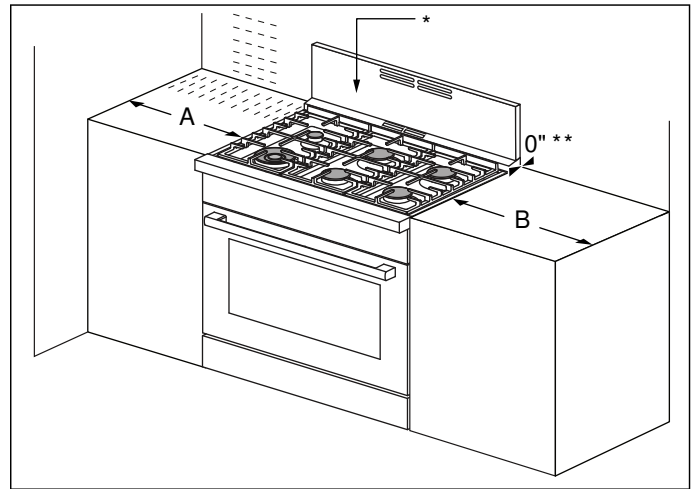


- Option 1: A \geq 12" (305 mm) and B \geq 28" (711 mm)
- Option 2: A \geq 28" (711 mm) and B \geq 12" (305 mm)

* purchased separately

** Clearances from non-combustible materials are not part of the ANSI Z21.1 scope and are not certified by Intertek. Clearances of less than 3" (76 mm) should be approved by the local codes and/or by the local authority having jurisdiction.

Low Backguard Installation (applicable both with non combustible back wall and combustible back wall)



- Option 1: A \geq 12" (305 mm) and B \geq 28" (711 mm)
- Option 2: A \geq 28" (711 mm) and B \geq 12" (305 mm)

* purchased separately

** Clearances from non-combustible materials are not part of the ANSI Z21.1 scope and are not certified by Intertek. Clearances of less than 3" (76 mm) should be approved by the local codes and/or by the local authority having jurisdiction.

Technical Data

30" (5 burners):

Total connected load, electric	1 A (120 W)
Total connected load, gas (natural gas)	48,000 BTU/h (14.1 kW)
Total connected load, gas (propane gas)	48,000 BTU/h (14.1 kW)

36" (6 burners):

Total connected load, electric	1 A (120 W)
Total connected load, gas (natural gas)	63,000 BTU/h (18.4 kW)
Total connected load, gas (propane gas)	63,000 BTU/h (18.4 kW)

Oven:

Bake burner	17,000 BTU/h (5.0 kW)
Total connected load gas (natural gas/propane gas)	
Broiler, 30" range	11,500 BTU/h (3.4 kW)
Total connected load gas (natural gas/propane gas)	
Broiler, 36" range	14,000 BTU/h (4.1 kW)
Total connected load gas (natural gas/propane gas)	

Installation Checklist

Please refer to the pages following for complete installation instructions. Use this checklist to verify that you have completed each step of the installation process. This can help you avoid mistakes.

✓ Installation step

Before installing the range, be sure to verify the cabinet dimensions are correct for your unit and that the required electrical and gas connections are present.

Before installing the range, make sure that any opening in the wall behind the appliance and in the floor under the appliance shall be sealed.

Refer to the installation manual for content regarding Safety, Cabinet Dimensions, Removing Packaging, Electrical Installation, Gas Connection, and Customer Service.

✓ Installation step

Removing the oven door prior to installation reduces the unit weight and makes the range easier to move. Additionally, the removal of the oven door provides access to handholds for lifting.

Fitting the adjustable feet.

Prepare the gas connection.

Move the range (2 people needed) into place in front of the installation opening, leaving the bottom packaging on the unit to avoid damaging flooring.

Plug the range into a properly configured receptacle.

Protect the flooring from damage, then slide the unit all the way into place, making sure to route the power cord correctly.

Reinstall the oven door.

Installation Procedure

An air curtain or other overhead range hood, which operates by blowing a downward airflow onto a range, shall not be used in conjunction with the gas range unless the hood and range have been designed and tested in accordance with ANSI Z21.1 and listed by an independent testing laboratory for combination use.

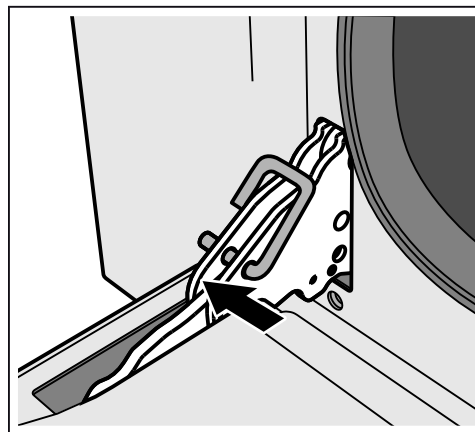
How to Remove the Oven Door

▲ WARNING

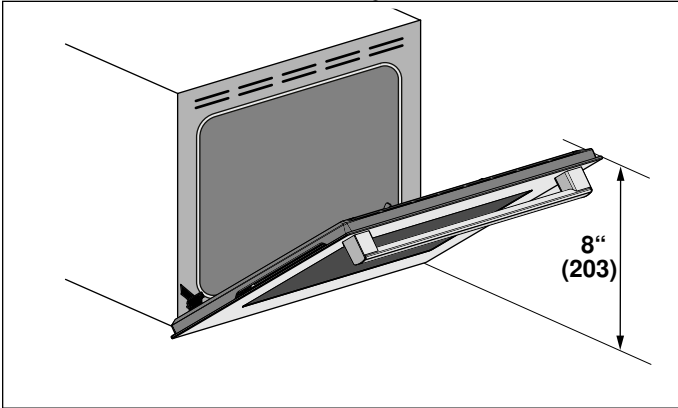
- Make sure the oven is cool and the power to the oven has been turned off before removing the door. Failure to do so could result in electrical shock or burns.
- The oven door is heavy and parts of it are fragile. Use both hands to remove the oven door. The door front is glass. Handle carefully to avoid breaking.
- Grasp only the side of the oven door. Do not grasp the handle as it may swing in your hand and cause damage or injury.
- Failure to grasp the oven door firmly and properly could result in personal injury or product damage.
- To avoid injury from the hinge bracket snapping closed, make sure that both levers are securely in place before removing the door. Also, do not force the door open or closed – this could damage the hinge or result in injury.
- Do not place the removed door down on sharp or pointed objects as this could break the glass. Lay on a flat, smooth surface, positioned so that the door cannot fall over.

To avoid injury or damage, make sure that you read the above WARNING before attempting to remove the oven door.

1. Open the oven door to its fully open position.
2. Lock the two hinges on the left and right using the locking pin. The locking pins must be fully inserted into the holes in the hinges.



3. Close the oven door until it catches on the hinge stop levers, locking the hinges at the correct angle for door removal. The door can be removed when it is pulled up from the open position by about 8 inches (203 mm). This takes the tension off the spring-loaded hinges so that the door can be easily lifted out.



⚠ CAUTION

RISK OF PINCHING

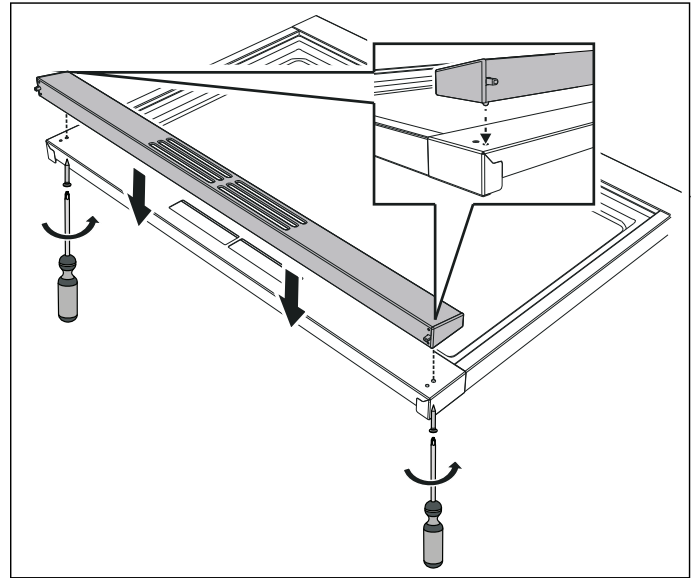
Closing the door by 8" (203 mm) takes the pressure off the spring. If this is not done, the door can still be removed but the latch will now slam shut and will pinch or cut your hand.

4. The door is heavy. Use both hands to firmly grip it by the sides. Do not grip the door by the handle. Keeping the angle of the door the same, lift the door straight up approximately 3/4" (19 mm) to unhook the hinges from the slots, and then pull it out towards you until the hinges are clear of the oven housing.
5. Place the door in a convenient and stable location for cleaning.
6. Refit the door in the reverse order in which it was removed.

Note: Do not throw away the locking pins. Keep them in a safe place. They will be needed anytime the door is removed from the appliance.

Fitting the Rear Vent Trim

1. The rear vent trim is nested in the styrofoam packaging. Remove the packaging and the protective film from the rear vent trim.
2. Place the rear vent trim into the holes intended for this purpose using the dowel pins.



3. Insert and tighten the enclosed screws from below.

Fitting the Adjustable Feet

⚠ CAUTION

Do not use the door handle or projecting control panel for carrying.

⚠ CAUTION

In order to prevent the risk of damaging the feet during installation, they must be installed as close as possible from the final appliance location.

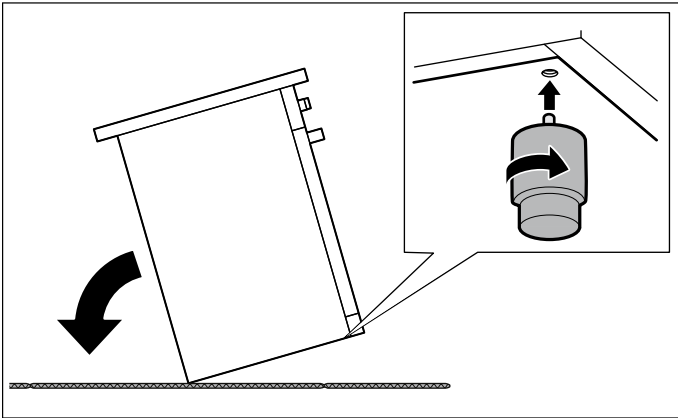
1. Move the appliance as close as possible to the final appliance location.

⚠ CAUTION

Protect the floor.

2. Remove all parts that are not permanently fixed, especially the pan supports and burners.
3. Remove the accessories from the oven.

- Tilt the appliance and put it to the floor on the backside.

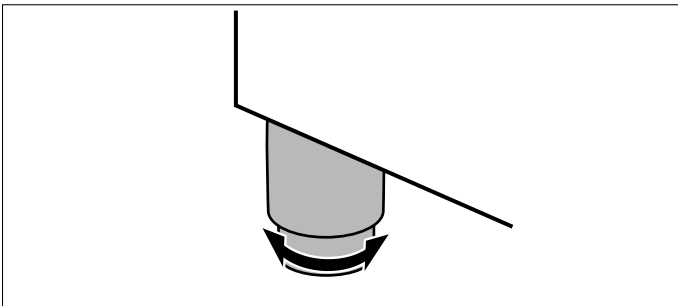


- Screw the adjustable feet into the mounting holes on the underside of the appliance.
- Screw the adjustable feet in fully.

⚠ CAUTION

Feet or appliance bottom case can be damaged while moving the appliance back onto its feet.

- Carefully move the appliance back onto its feet.
- Turn the adjustable feet to align the appliance.



Notes

- Measure the installation height of the cabinetry and adjust appliance height accordingly prior to placing appliance in cabinetry.
- Carefully move the appliance to its final position, only if legs are well adjusted.

Connect Gas Supply

The appliance is shipped from the factory for use with natural gas at a pressure of 5" water column. When checking for proper operation of the regulator, the inlet pressure must be at least 1" greater than the operating (manifold) pressure above. When used with natural gas, the pressure supplied to the regulator must be between 6" and 10,5" water column.

To convert the appliance to propane gas see "Conversion to propane gas (LPG)". A qualified technician or installer must do the conversion.

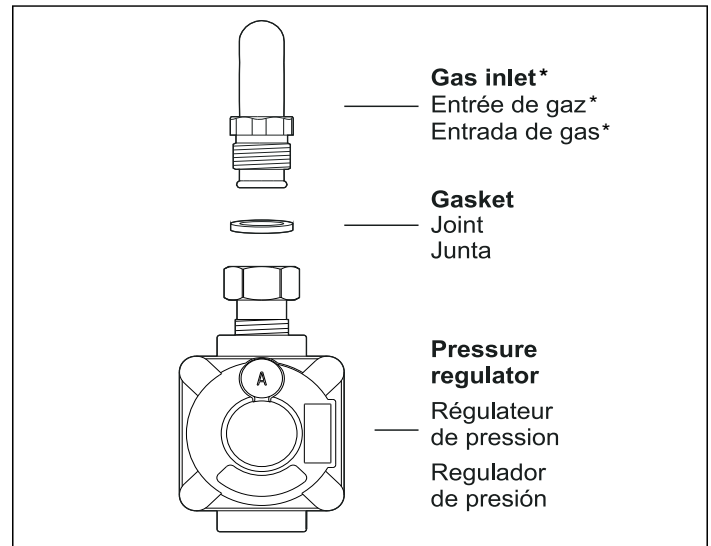
Use a flexible gas pipe with a length of at least 5 ft (1.5 m).

The gas inlet to the unit is located at the right rear of the appliance.

Install the pressure regulator (supplied with unit) to gas inlet. Position the gasket (supplied with unit) in between the inlet and the regulator. Position the regulator to have it cap D (→ Page 20) easily accessible. Turn the nut on gas inlet to hand tighten plus 1/3 turn.

Install the gas pipe to the regulator using Teflon tape or pipe-joint compound (resistant to propane gas and natural gas). Turn to hand tighten plus 1/3 turn. Do not exceed 1 turn for alignment, to prevent possible damage to the gas pressure regulator.

Check inlet fittings and regulator for leaks.

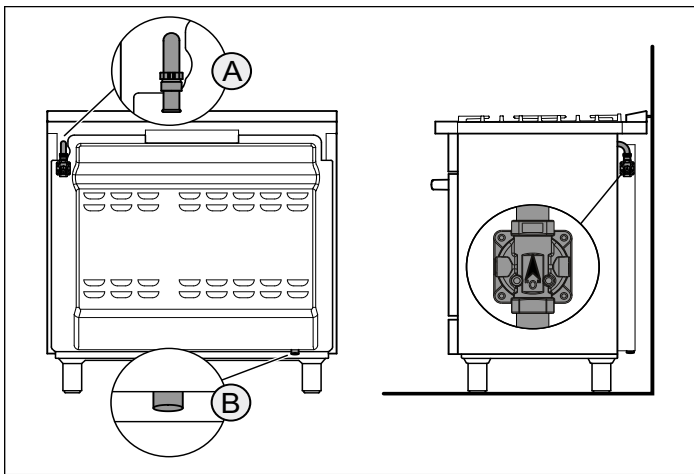


* Attached to the appliance.

⚠ WARNING

Do not attempt any adjustment of the pressure regulator, except when converting to propane. Adjustments could lead to leaks or cause incorrect gas pressure to the appliance.

Side and Back View Gas Cooker Installation



Gas Location

- A** Gas connection
- B** Electrical connection

Connect the gas supply line to the unit pressure regulator using a 1/2" flex gas line connector between manual shut-off valve and pressure regulator. A metal flex line or fixed metal pipe shall be used to connect gas to the appliance. If a metal gas line cannot be used, consult your local certified electrician or local electric codes for proper grounding.

Check supply line connections for leaks using a soap solution or non-corrosive leak detection fluid. Do not use a flame of any sort.

▲ WARNING

Install a gas shut off valve near the appliance. After installation, it must be easily accessible in an emergency.

1. Turn on gas.
2. Apply a soap solution or non-corrosive leak detection fluid to all joints and fittings in the gas connection between the shut-off valve and the cooktop. Include gas fittings and joints in the cooktop if connections may have been disturbed during installation. Bubbles appearing around fittings and connections indicate a leak.
3. If a leak appears, turn off supply line gas shut-off valve and tighten connections.
4. Retest for leaks by turning on the supply line gas shut-off valve. When leak check is complete (no bubbles appear), test is complete.
5. Wipe off all soap solution or detection fluid residue.

Important Notes for Gas Connection:

- The appliance and its individual gas shutoff valve must be disconnected from the gas supply piping system during any pressure testing of that system at test pressures in excess of 1/2 psi (3.5kPa).
- The appliance must be isolated from the gas supply piping system by closing its individual manual shut-off valve during any pressure testing of the gas supply piping system at test pressures equal to or less than 1/2 psi (3.5kPa).

Install Appliance

▲ WARNING

TIP OVER HAZARD

A child or adult can tip the range over and be killed.

Install the anti-tip device to the structure and/or the range. Verify the anti-tip device has been properly installed and engaged.

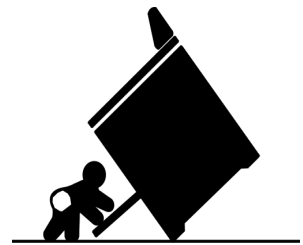
Engage the range to the anti-tip device. Ensure the anti-tip device is re-engaged when the range is moved.

Re-engage the anti-tip device if the range is moved. Do not operate the range without the anti-tip device in place and engaged.

See installation instructions for details.

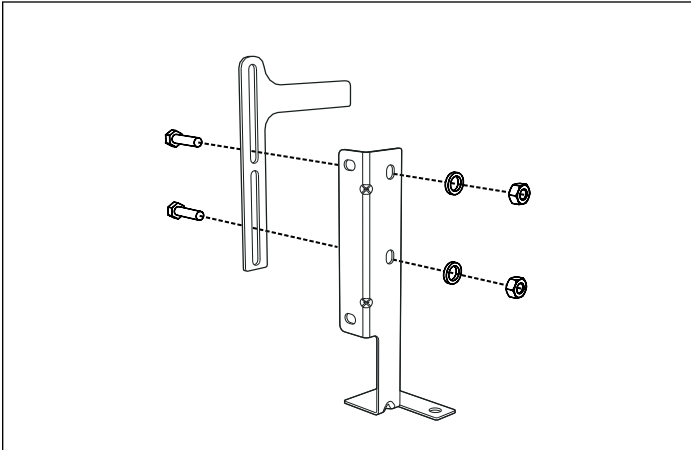
Failure to follow the instructions in this manual can result in death or serious burns to children and adults.

Check for proper installation and use of the anti-tip bracket. Carefully tip the range forward pulling from the back to ensure that the anti-tip bracket engages the range leg and prevents tip-over. The range should not move more than 1" (2.5cm).

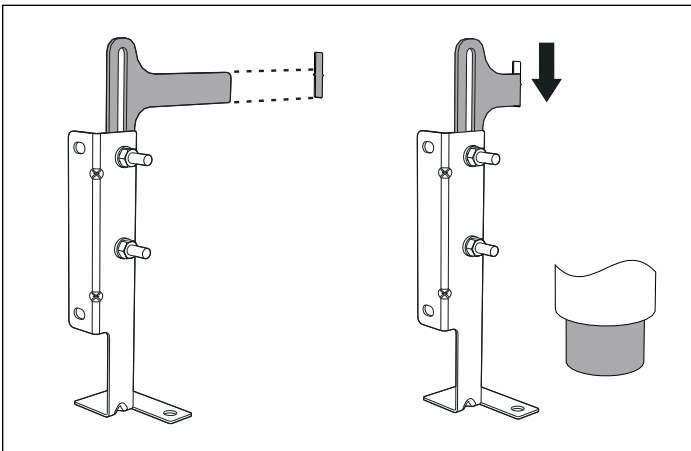


Installing the anti-tip bracket

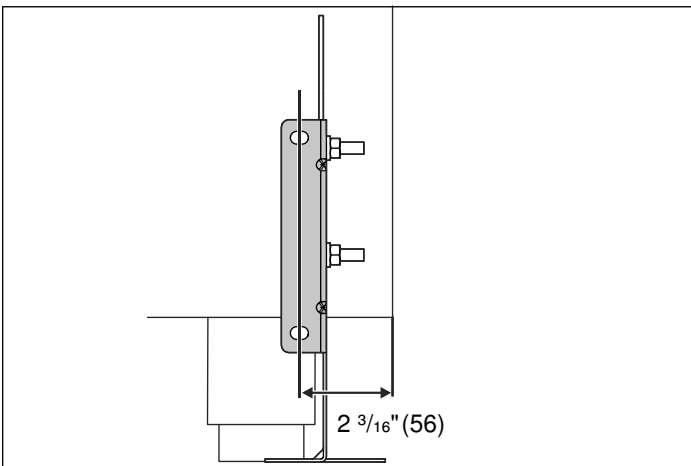
1. Ensure that the electrical connection and the gas connection are in the correct position.
2. Assemble the bracket.



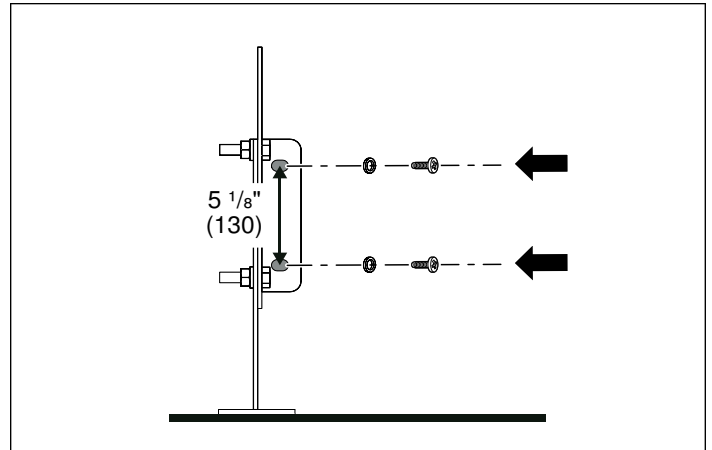
3. Align the base of the hook of the bracket with the base on the slot of the rear wall fastening bracket. Align the base of the fastening bracket with the ground and tighten the screws to fix the measurements.



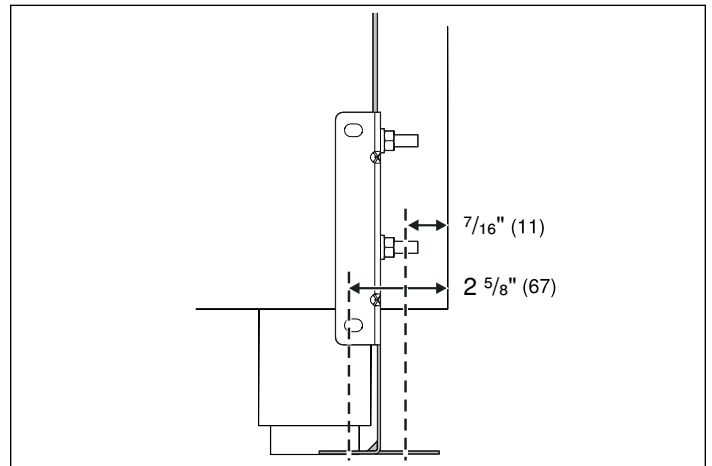
4. For wall mounting, proceed with steps 5–7 and 10. For floor mounting, proceed with steps 8–9 and 10.
5. Use the specified distance from the side of the appliance to the bracket holes.



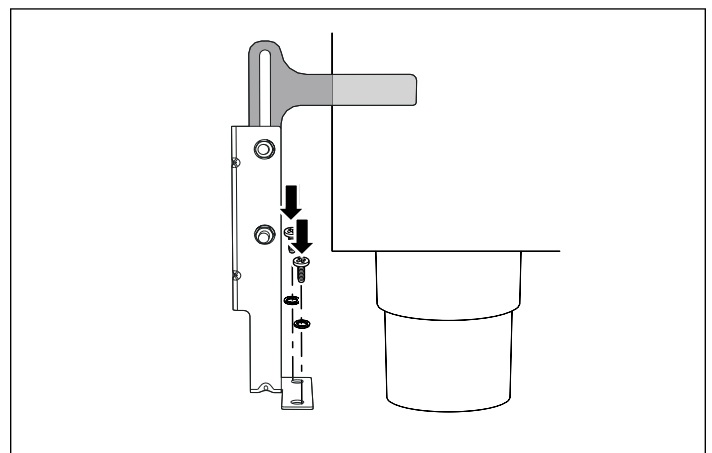
6. Move the bracket onto the wall and fix with the two washers and screws. A qualified technician must verify suitability of the materials in accordance with the type and condition of the wall.



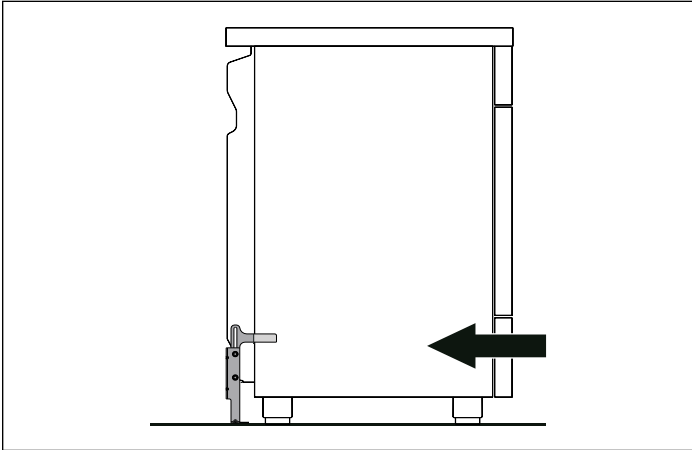
7. Use the following distances for the distance from the side of the appliance to the bracket holes.



8. After having positioned and leveled the appliance, move the bracket close to the rear of the appliance and anchor it to the floor with the two washers and screws. A qualified technician must verify suitability of the materials in accordance with the type and condition of the floor.



9. Push the cooker towards the wall, and at the same time, insert the bracket in the plate fastened to the rear of the appliance.



▲ WARNING

The rear vent trim has 3/16" (5 mm) standoffs to keep the appliance slightly off of the back wall. Do not remove or tamper with standoffs due to potential temperature issues.

10. Check for proper installation and use of the anti-tip bracket. Carefully tip the range forward pulling from the back to ensure that the anti-tip bracket engages the range leg and prevents tip-over. The range should not move more than 1" (2.5cm).

Connect Electrical Supply

▲ WARNING

Before you plug in an electrical cord or turn on power supply, make sure all controls are in the OFF position.

Before connecting the 5 ft (1.5 m) supply cord to a wall receptacle, make sure that the gas shut-off valve and all burner controls are in the OFF position.

▲ WARNING

ELECTRICAL GROUNDING INSTRUCTIONS
This appliance is equipped with a three-prong grounding plug to protect you against the risk of shocks and it should be plugged directly into a properly grounded receptacle. Do not cut or remove the grounding prong from this plug.

Burner Cap Placement

Sealed burners

Your new cooktop has sealed gas burners. There are no burner parts under the cooktop to clean, disassemble or adjust. Your cooktop has three different burner sizes: small, large and dual-flame.

▲ WARNING

To prevent flare-ups, do not use the cooktop without all burner caps and all burner grates properly positioned.

▲ WARNING

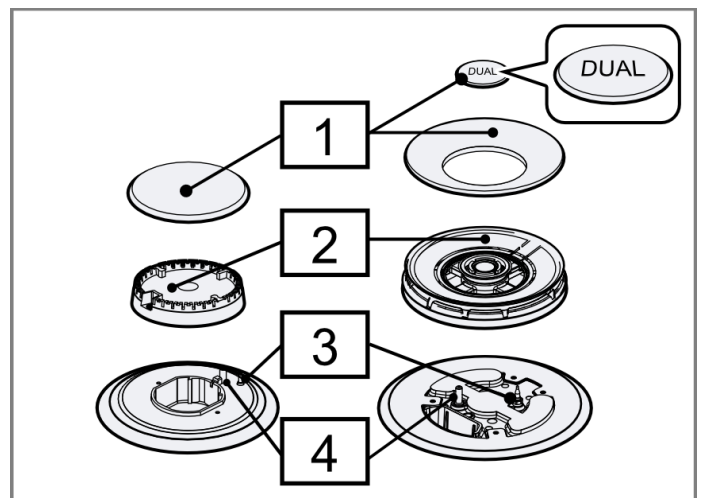
To prevent burns, do not touch burner caps or grates while hot. Turn the cooktop off and allow the burners to cool.

The burner parts must be correctly positioned for the cooktop to function properly. If the burner parts are not correctly positioned, one or more of the following problems may occur:

- Burner flames are too high.
- Flames shoot out of burners.
- Stainless steel discolorations.
- Burners do not ignite.
- Burner flames light unevenly.
- Burner emits gas odor.

Burner Parts

The burner caps must be properly placed for the cooktop to function properly.



No.	Designation
1	Burner cap
2	Burner base
3	Igniter
4	Thermocouple

Burner Cap and Burner Base Placement

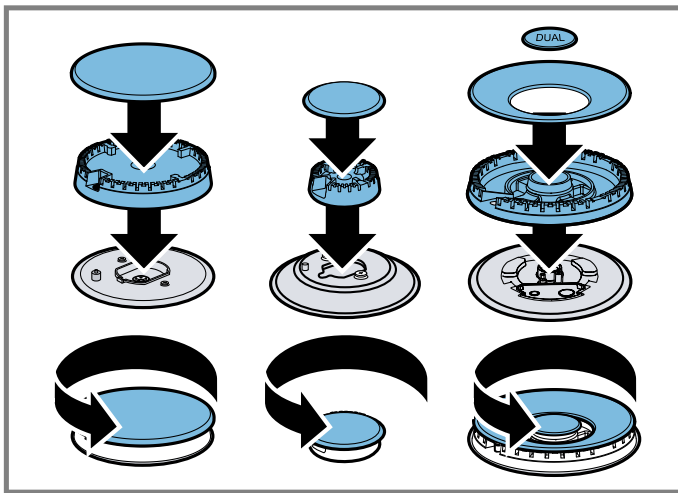
After electrical connection is complete, place each burner base on the corresponding location on the cooktop. One of the three bars on the burner base should line up with the notch and prevent the base from rotating. The small hole or cutout near the edge should also line up with the igniter. Pay special attention to avoid damaging the igniter during installation of the base. See illustration below.

Once each base is located and resting evenly, place each burner cap on its correct burner base. See illustration.

Do not swap burner caps. These will affect the stability of the flame and make the burner impossible or difficult to light. The smallest burner cap marked "DUAL" is to be used exclusively on the Dual-flame burner. Do not put it on the small burner.

Place burner cap gently on top of base so that the prongs of the burner base fit snugly into the groove of the burner cap.

If the maintop is removed by a certified installer (for example to check electrical or piping connection) the panhead screws that were removed must be re-installed to ensure proper functionality of burners.

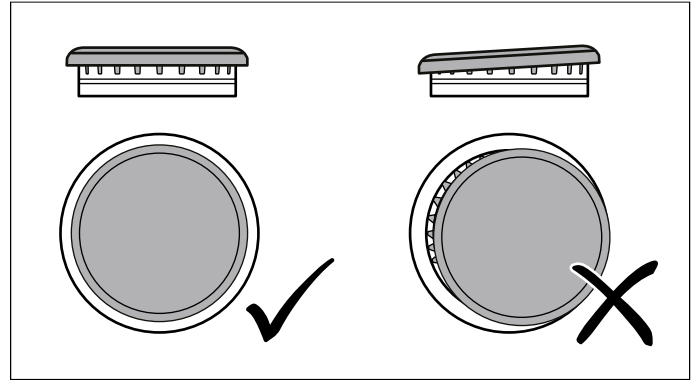


Burner	Burner cap dimensions
Dual-flame burner	Inner dual: 1 3/4" (45 mm) Ring: 5 15/16" (150 mm)
Small burner	2 3/16" (55 mm)
Large burner	3 15/16" (100 mm)

Checking Burner Cap Placement

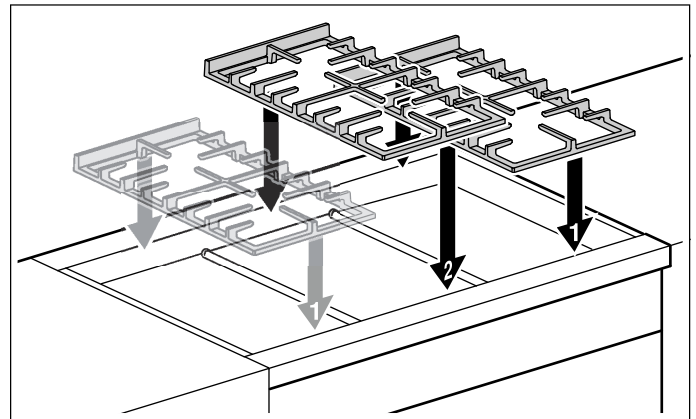
Check to make sure that there is no gap between the burner cap and burner base. See illustration below for correct and incorrect placements of the burner cap.

You may gently try to move the burner cap from side to side to check if it is properly placed. If properly placed, the cap will click from side to side as the prongs hit the groove ridge.



Install Grates

First position the outer grates, followed by the the central grate. If you only have two grates, the order in which you position them is not relevant.



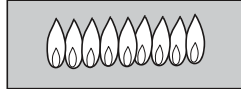
Check the Installation

Place each correct-sized burner cap in its seated, notched position and check the operation of the electric igniters. Check the flame characteristics. The flame should be blue with a minimal yellow tip on the outer cone of the flames.

Checking the flame characteristics

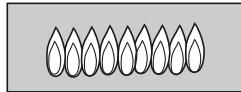
Yellow flames:

Further adjustment is required.



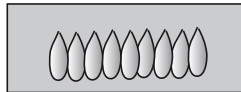
Yellow tips on outer cones:

Normal for propane gas



Soft blue flames:

Normal for natural gas



Orange flames:

Can be normal if certain types of humidifiers are used in the home. Flames should return to blue without the humidifier running.

Note: If the flame is completely or mostly yellow, verify that the regulator is set for the correct fuel. Retest after adjustment.

Some yellow streaking is normal during the initial start-up. Allow the appliance to operate for 4–5 minutes and reevaluate before making adjustments.

Test for Gas Leaks

▲ WARNING

RISK OF FIRE

Never check for gas leaks with a flame.

Leak testing is to be conducted by the installer according to the instructions given in this section.

1. Turn on gas.
2. Apply a non-corrosive leak detection fluid. Include all joints and fittings between the shutoff valve and the appliance. Include gas fittings and joints in the appliance if connections may have been disturbed during installation.
3. Inspect for leaks. Bubbles appearing around fittings and connections indicate a leak.
4. If a leak appears, turn off supply line gas shutoff valve and tighten connections.
5. Retest for leaks. Turn gas back on at supply line shutoff valve and reapply leak detection fluid.
6. When no bubbles appear, test is complete. Wipe off all detection fluid residue.

Conversion to Propane Gas (LPG)

Always provide adequate gas supply.

This appliance is shipped from the factory for use with natural gas. Use this kit to convert the appliance for propane gas use if necessary. Observe the following: Ensure that the range is converted for use with the appropriate gas before using it.

This appliance is designed to operate at a pressure of 10" water column when used with propane gas.

When checking for proper operation of the regulator, the inlet pressure must be at least 1" greater than the operating (manifold) pressure above. When converting for propane gas use, the pressure supplied to the regulator must be between 11" and 13" water column.

The pressure regulator that is located in the inlet of the range manifold must remain in the supply line.

Use a flexible metal appliance connector or rigid pipe to connect the range to the gas supply. The connector should have an inner diameter of 1/2" and be 5 ft (1.5 m) or less in length. (Exception: Maximum connector length in Massachusetts installations is 3 ft (0.9 m)). In Canada, the connector must be single-wall metal and not longer than 6 ft (1.8 m).

Save the orifices removed from the appliance for future use.

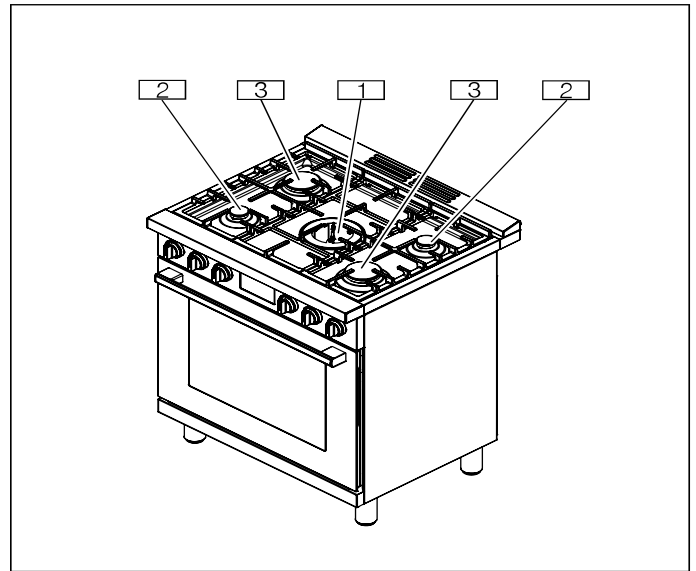
⚠ CAUTION

The gas supply shall be shut off prior to disconnecting the electrical power, before proceeding with the conversion.

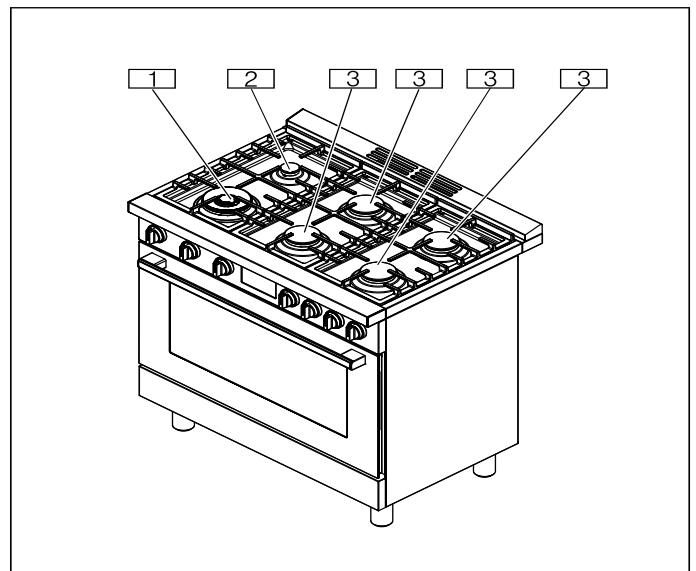
Parts included with propane gas nozzle set:

- 1x nozzle number 117
- 1x nozzle number 48
- 4x nozzle number 94
- 2x nozzle number 65
- 1x nozzle number 120
- 1x nozzle number 98
- 1x nozzle number 110
- 1x adhesive label

30"



36"



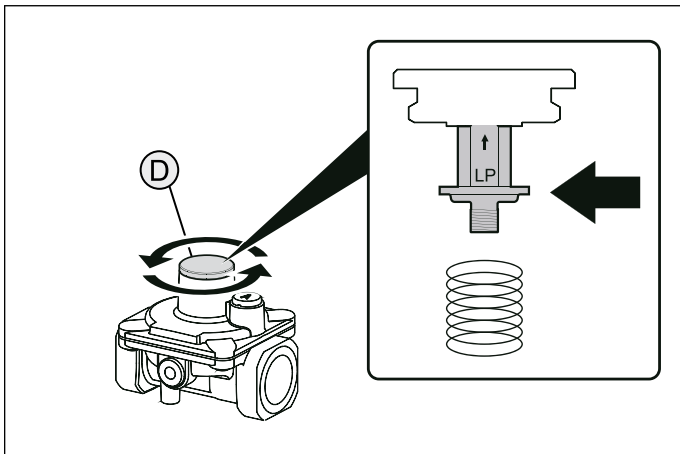
No.	Designation
1	Dual-flame burner (18,000 BTU/ 5.3 kW) LPG nozzles: 117 (external) and 48 (internal)
2	Small burner (5,000 BTU/ 1.5 kW) LPG nozzle: 65
3	Large burner (10,000 BTU/ 2.9 kW) LPG nozzle: 94
	Bake burner (17,000 BTU/ 5.0 kW) LPG nozzle: 120
	Broiler, 30" range (11,500 BTU/ 3.4 kW) LPG nozzle: 98
	Broiler, 36" range (14,000 BTU/ 4.1 kW) LPG nozzle: 110

Orifices

Type of gas	Pressure in W.C.P.	Burner Type	Nozzle Number	Bypass	Min Power	Max Power
Natural gas	5"	Dual-flame burner external	180 (S4)	Gap	1000 BTU (0.3 kW)	18000 BTU (5.3 kW)
		Dual-flame burner internal	75	Gap		
		Large burner	145	Gap	2400 BTU (0.7 kW)	10000 BTU (2.9 kW)
		Small burner	100	Gap	1000 BTU (0.3 kW)	5000 BTU (1.5 kW)
		Oven burner (bottom)	180	Gap	3500 BTU (1.0 kW)	17000 BTU (5.0 kW)
		Oven broiler burner 30" range	150	Gap	-	11500 BTU (3.4 kW)
		Oven broiler burner 36" range	165	Gap	-	14000 BTU (4.1 kW)
Liquid gas	10"	Dual-flame burner external	117	55	1000 BTU (0.3 kW)	18000 BTU (5.3 kW)
		Dual-flame burner internal	48	30		
		Large burner	94	45	2400 BTU (0.7 kW)	10000 BTU (2.9 kW)
		Small burner	65	30	1000 BTU (0.3 kW)	5000 BTU (1.5 kW)
		Oven burner (bottom)	120	53	3500 BTU (1.0 kW)	17000 BTU (5.0 kW)
		Oven broiler burner 30" range	98	-	-	11500 BTU (3.4 kW)
		Oven broiler burner 36" range	110	-	-	14000 BTU (4.1 kW)

Setting the pressure regulator for propane gas

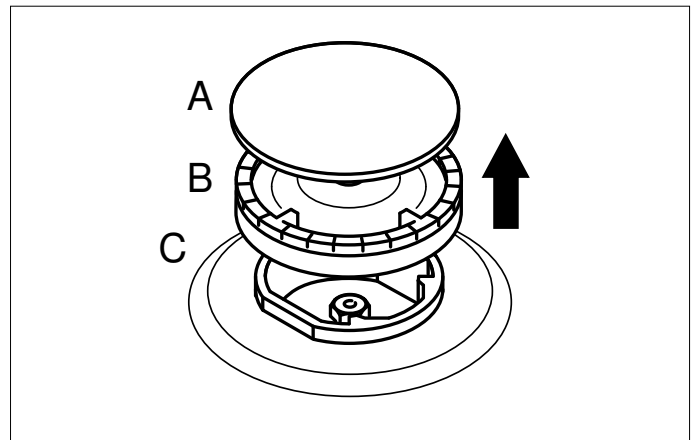
1. Use tongue and groove pliers to remove regulator cap **D**.
2. Unscrew the plastic regulator stem from the regulator cap **D**.
3. Invert the plastic regulator stem and screw it in tightly.



4. Replace cover cap **D** and tighten with tongue & groove pliers.
5. When converting for propane gas use, the pressure supplied to the regulator must be between 11" and 13" water column.

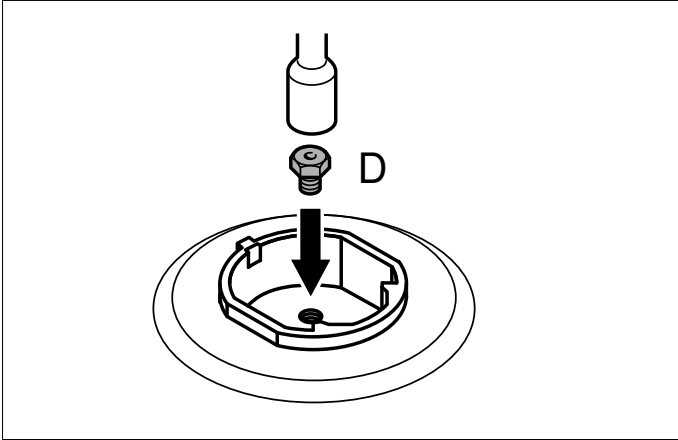
Replacing the main control nozzles

1. Remove the grates.
2. Remove the burner cover **A** and burner cup **B** from the burner **C**.

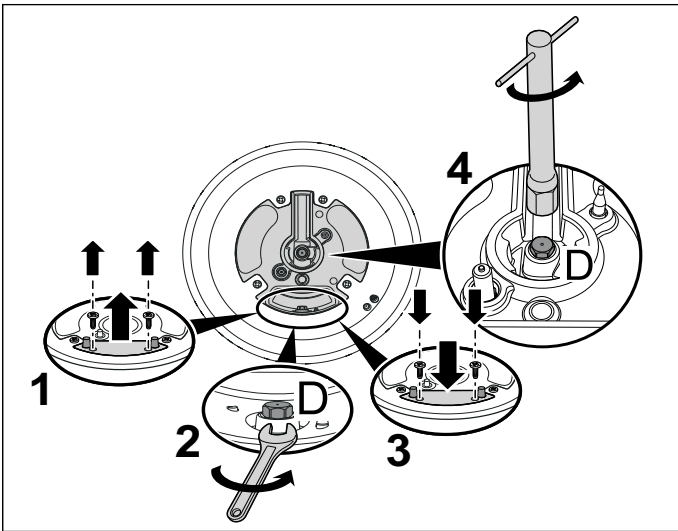


- Remove the nozzle **D** and replace it with an appropriate nozzle for the new type of gas.

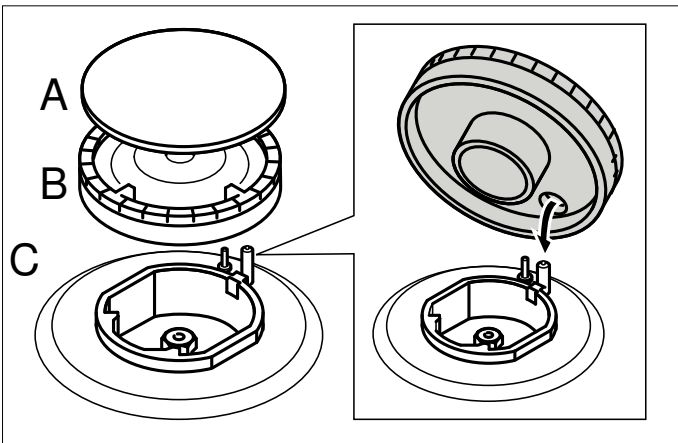
Small burner/large burner



Dual-flame burner



- Place the burner cup **B** onto the burner **C** and place the burner cover **A** onto the burner cup **B**.



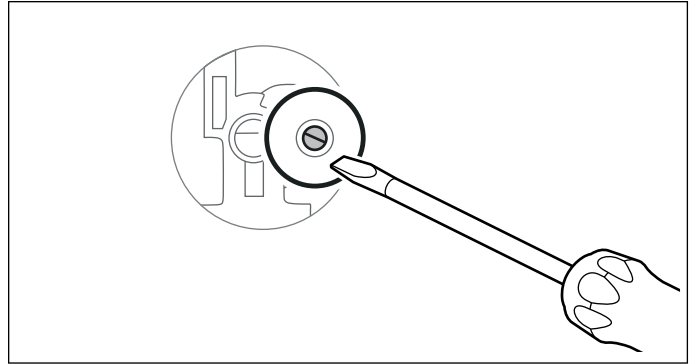
- Refit the grates.

Setting the minimum gas flow

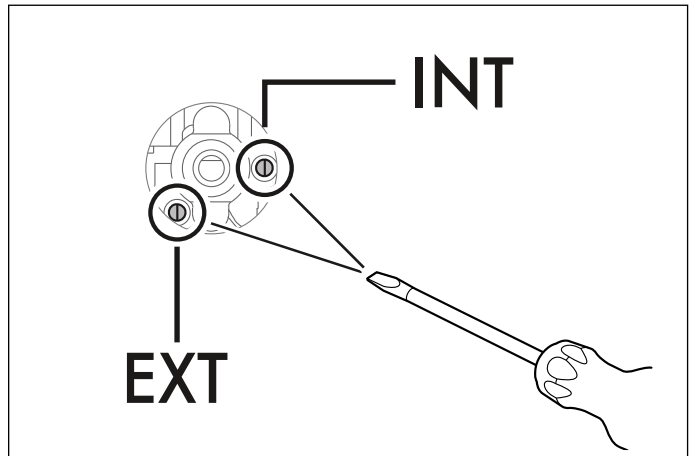
- Remove the control knob and knob ring.
- Turn the inner setting screw clockwise gently until it bottoms out.

Note: In case of conversion from propane gas to natural gas, turn out all bypass nozzles for 1/2 turn.

Small burner/large burner



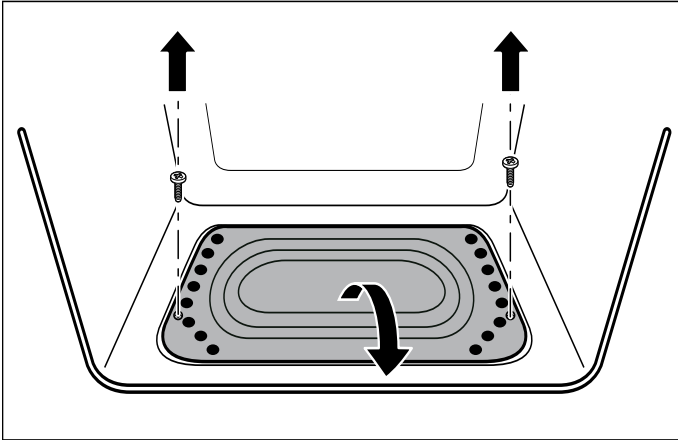
Dual-flame burner:



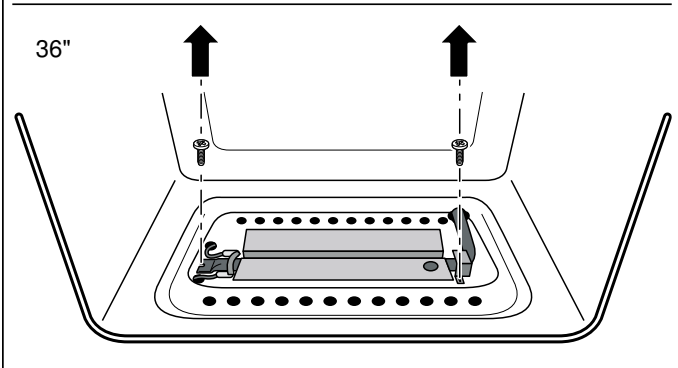
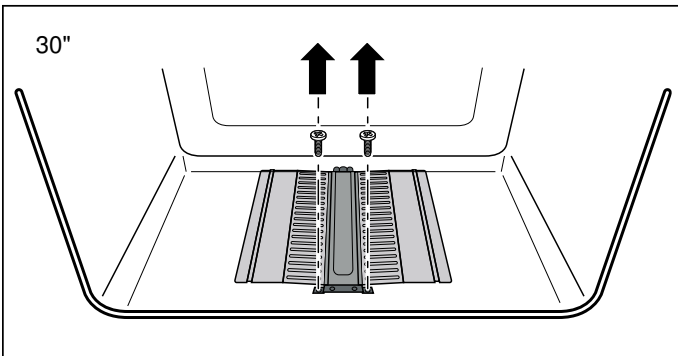
- Replace the control knobs.
- Light each burner individually and check for flame stability on low setting.
- If required, loosen the setting screw to increase the gas flow.
- Ensure that the flame does not go out when the gas flow is quickly changed between maximum and minimum, and vice versa. The optimum setting is achieved when the height of the small flame is approx. 1/8" (3 to 4 mm).
- Refit the control knob and knob ring for the gas burner.
- Repeat steps 2 to 8 until all of the gas burners have been set.
- Connect the appliance to the power supply.

Replacing the Oven Burner Nozzle

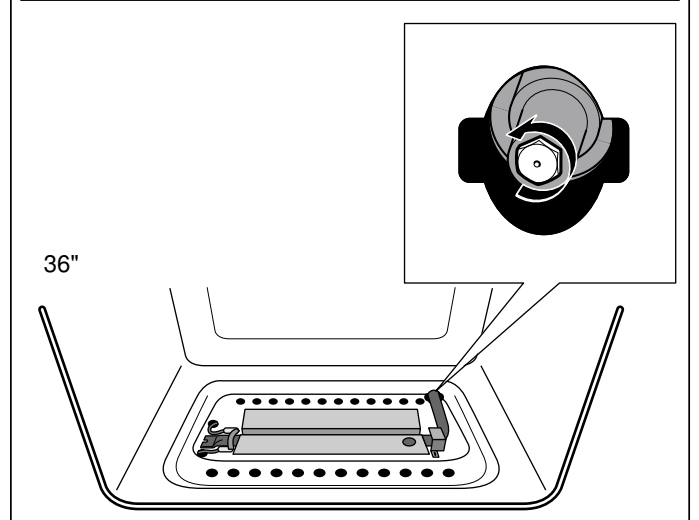
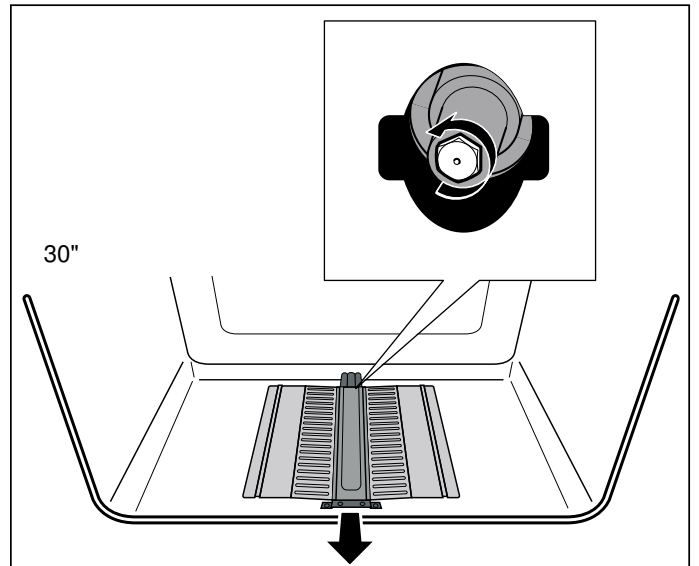
1. Open the appliance door.
2. Remove the screws on the bake chamber cover and lift the front of the bake chamber cover slightly and then pull it out towards you.



3. Remove the screws on the bake burner assembly and pull the burner forwards out of the gas connection.



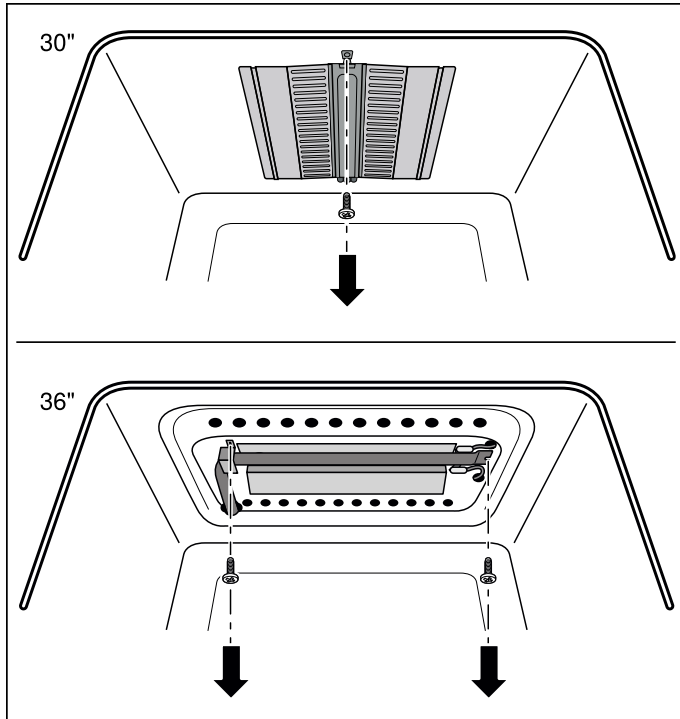
4. Unscrew the bake burner nozzle and replace it with the LP nozzle number 120.



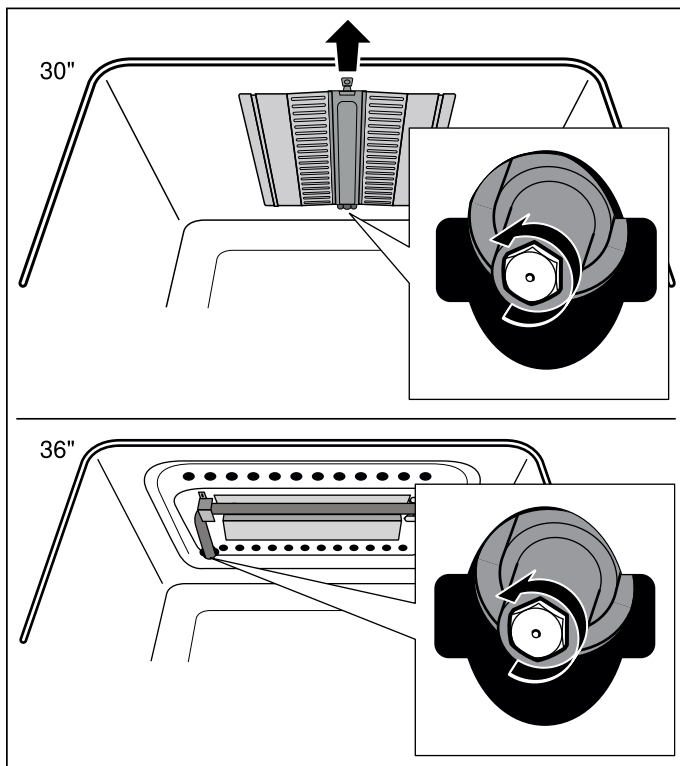
5. Reinsert the bake burner and screw tight.
6. Reinsert the bake chamber cover and screw tight.
7. Fill out the LP conversion label (included) and affix it to the appliance.

Replacing the Broil Burner Nozzle

1. Open the appliance door.
2. Remove the screws on the broil burner sub assembly and pull the broil sub assembly forwards out of the gas connection. On the back wall, the burner is still connected to the gas supply and the electric ignition.



3. Carefully place the broil assembly on the floor of the oven cavity.
4. Unscrew the broil burner nozzle and replace it with the LP nozzle number 110.

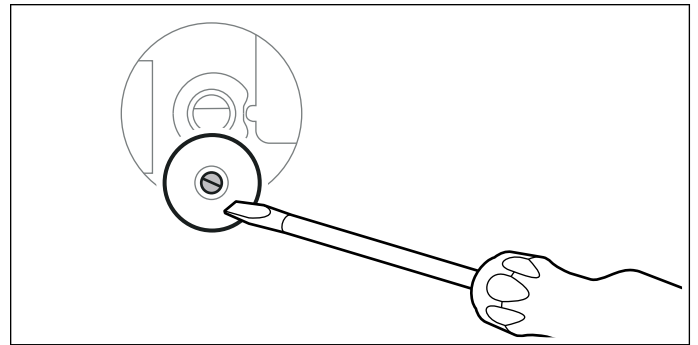


5. Reinsert the broil burner & broil burner sub assembly and screw tight.
6. Fill out the LP conversion label (included) and affix to the appliance.

Setting the minimum gas flow

1. Open the appliance door.
2. Press and hold the control knob for the oven and turn it to the maximum position. The gas burner ignites.
3. Keep the control knob pressed in for 15 seconds.
4. Close the appliance door.
5. Remove the control knob and knob ring.
6. Tighten the inner setting screw.

Note: In case of conversion from propane gas to natural gas, turn out all bypass nozzles for 1/2 turn.



7. Refit the control knob.
8. Heat up the oven for 15 minutes.
9. Remove the control knob again.
10. Adjust the internal setting screw until a stable flame is burning correctly. Loosen the setting screw to increase the gas flow or tighten it to decrease the gas flow. The setting is correct when the height of the small flame is approx. 1/8" (3 to 4 mm).
11. Refit the control knob and knob ring.
12. Ensure that the flame does not go out when the gas flow is quickly changed between maximum and minimum, and vice versa.

Checking functions after the conversion:

The flames must not go out when switching over swiftly from the high to the low setting.

Note: Stick the adhesive label included with the nozzle set over the rating plate of the appliance to document the changeover to a different gas type.

Test for Gas Leaks

After the conversion it is important to verify the leakages.
→ Page 18

Conversion to natural gas

This appliance is shipped from the factory for use with natural gas. If the appliance has been converted to propane gas before, you have to convert it to natural gas again.

Check the orifices for the right nozzles and, if required, replace them. See "Replacing the main control nozzles".

Adjust the minimum gas flow. See "Setting the minimum gas flow". The optimum setting is achieved when the height of the small flame is approx. 1/8" (3 to 4 mm).

Set the pressure regulator for natural gas. Turn the spring plate the other way around as shown in "Setting the pressure regulator for propane gas".

Save the orifices removed from the appliance for future use.

Customer Service

Contact our Customer Service if your appliance needs repair. Our Customer Service (see below) will be happy to supply you with details how to obtain a service repair.

Please find the contact data of all countries in the enclosed customer service list.

To schedule a service visit and product advice

US 800 944 2904
toll-free

Questions? Please contact us. We look forward to hearing from you.

800-944-2904

www.bosch-home.com

1901 Main Street, Suite 600
Irvine, CA 92614

How to Obtain Warranty Service

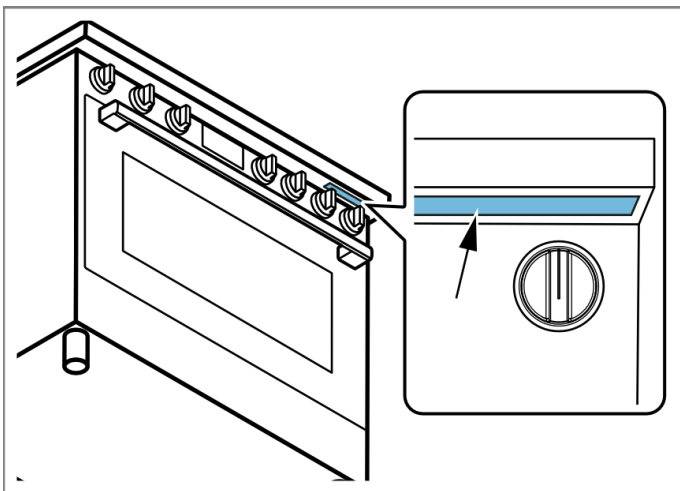
To obtain warranty service for your Product, you should contact Bosch Customer Service at 1-800-944-2904 to schedule a repair.

Model (E) number and FD number

When you contact our service, please have the Model (E) number and the FD number for your appliance available.

You can find this information on the rating label

- on the underside of the projecting control panel
- on the rear of the appliance



Wiring Diagram for HGS8..5UC

⚠ WARNING

When servicing the controls, label all wires prior to disconnection. Wiring errors can cause improper and dangerous operation: Verify proper operation after servicing.

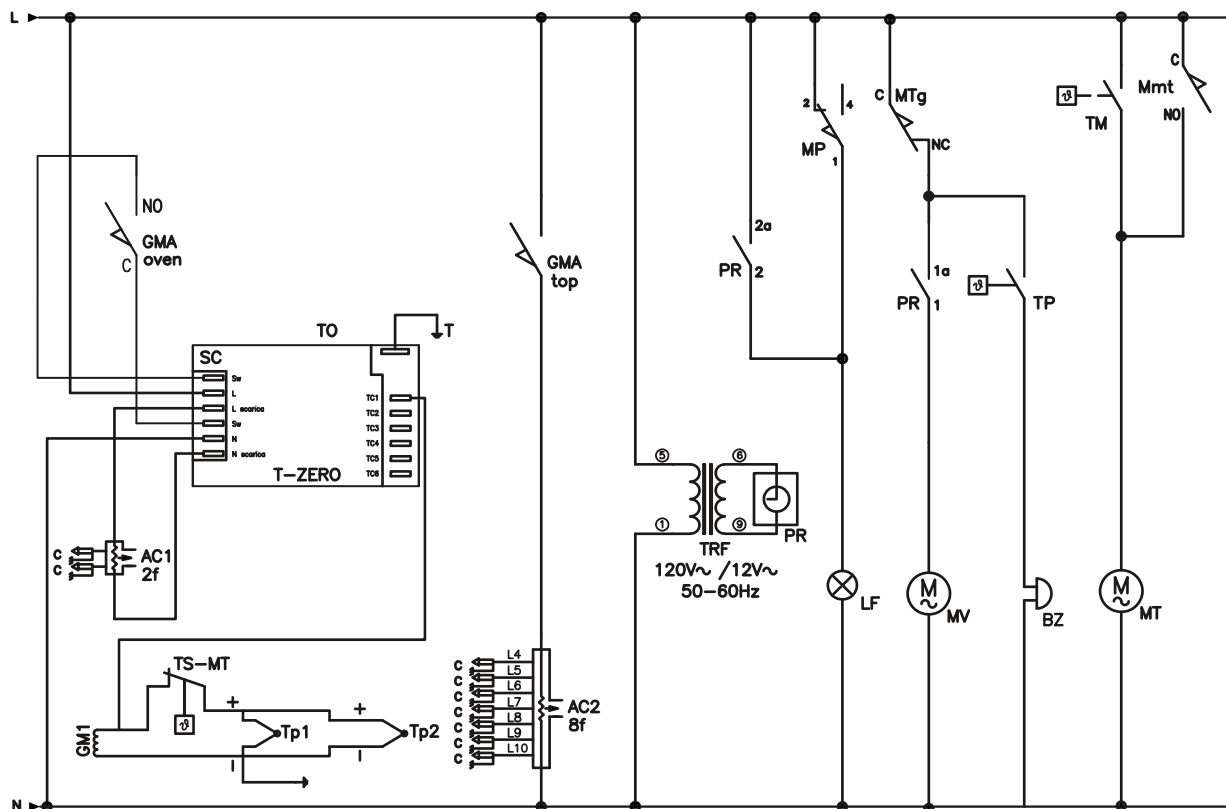
⚠ AVERTISSEMENT

Étiquetez les fils avant de déconnecter pour les contrôles de service. Une erreur dans le filage peut provoquer des opérations dangereuses et incorrectes. Vérifiez la conformité de l'opération après un entretien.

⚠ ADVERTENCIA

Marcar todos los cables antes de desconectar, al realizar el mantenimiento de los mandos. Los errores de conexión pueden causar operaciones inadecuadas y peligrosas. Comprobar el funcionamiento correcto después del mantenimiento.

Key to symbols - legend - leyenda	TRF	Transformer Transformateur Transformador	SC	Electronic board Fiche electronique Tarjeta electronica	LF	Oven lamp Lampe four Lampara horno	MV	Cooking fan motor Ventilateur de cuisson Ventilador de coccion
	TM	Cooling fan control thermostat Thermostat demarrage moteurs Termostato control ventilador	GMA	Spark igniter microswitch Micro interrupteur allamage Micro interruptor encendido	TP	Thermostat preheating Thermostat préchauffage Termostato precalentamiento		
	MT	Cooling fan motor Ventilateur de refroidissement Ventilador de refrigeracion	TS-TM	Cooling fan-motor safety thermostat Thermostat de sécurité pour le ventilateur de refroidissement du moteur Termostato de seguridad motor del ventilador de refrigeración				
	MTg	Microswitch stop cooking fan motor Micro interrupteur arrêter le moteur du ventilateur de cuisson Microinterruptor dejar de cocinar el motor del ventilador	AC	Spark igniter Allumeur Generador de chispas	TP	Thermocouple Thermocouple Termopar		
	Mmt	Microswitch fan motor Micro ventilateur de refroidissement Micro Ventilador de refrigeracion	PR	Electronic programmer Programmateur électronique Programador electronico	N	Buzzer Avertisseur sonore Señal acústica		
	GM	Magnet Aimant Imán	L	Phase Phase Fase	N	Neutral Neutre Neutro	C	Spark plungs Allumeur Bujía



L-N=120Vac 60Hz

Instructions d'installation

▲ Définitions de sécurité	26	Caractéristiques techniques	33
CONSIGNES DE SÉCURITÉ IMPORTANTES	27	Liste de contrôle pour l'installation	34
Sécurité de manutention des appareils	28	Procédure d'installation	35
Codes et normes de sécurité	28	Démontage de la porte du four	35
Sécurité électrique	28	Ajustement de la garniture de ventilation arrière	36
Sécurité en matière de gaz	29	Montage des pieds réglables	36
Installation au gaz propane	29	Branchement du gaz	37
Équipement de sécurité	30	Pose de l'appareil	38
Conversion gaz au propane	30	Brancher l'alimentation électrique	39
Installation à altitude élevée	30	Montage des chapeaux de brûleur	40
Avant de commencer	31	Vérification de l'installation	41
Outils et pièces nécessaires	31	Test pour fuites de gaz	41
Pièces comprises	31	Conversion gaz au propane (LPG)	42
Pour enlever l'emballage	31	Service après-vente	47
Informations générales	32	Comment bénéficier du service de garantie	47
Exigences pour les placards	32	Schéma de câblage pour HGS8..5UC	48

▲ Définitions de sécurité

▲ AVERTISSEMENT

Ceci indique que le non-respect de cet avertissement peut entraîner des blessures graves, voire la mort.

▲ ATTENTION

Ceci indique que le non-respect de cet avertissement peut entraîner des blessures légères ou de gravité moyenne.

AVIS : Ceci indique que la non-conformité à cet avis de sécurité peut entraîner des dégâts matériels ou endommager l'appareil.

Remarque : Ceci vous signale des informations et/ou indications importantes.



CONSIGNES DE SÉCURITÉ IMPORTANTES

LIRE ET CONSERVER CES INSTRUCTIONS

⚠ AVERTISSEMENT :

Si les directives ne sont pas suivies à la lettre, il y a un risque d'incendie ou d'explosion pouvant entraîner des dommages matériels, des blessures ou un décès.

- Ne pas conserver ou utiliser de l'essence ou d'autres liquides ou vapeurs inflammables à proximité de cet appareil ou de tout autre appareil.**
- QUE FAIRE SI VOUS PERCEVEZ UNE ODEUR DE GAZ**
 - Ne pas essayer de mettre un appareil sous tension.**
 - Ne pas toucher d'interrupteur de courant électrique.**
 - Ne pas utiliser de téléphones dans l'édifice.**
 - Communiquer immédiatement avec le fournisseur de gaz depuis l'appareil téléphonique d'un voisin. Respecter les directives du fournisseur de gaz.**
 - S'il s'avère impossible de joindre le fournisseur de gaz, communiquer avec les pompiers.**
- Utiliser les services d'un installateur ou d'une agence de services qualifiés ou le fournisseur de gaz pour procéder à l'installation et aux réparations.**

⚠️ CONSIGNES DE SÉCURITÉ IMPORTANTES

LIRE ET CONSERVER CES INSTRUCTIONS

IMPORTANT : IL FAUT FAIRE POSER L'APPAREIL PAR UN INSTALLATEUR QUALIFIÉ.

INSTALLATEUR : LAISSEZ CES INSTRUCTIONS AVEC L'APPAREIL APRÈS UNE FOIS L'INSTALLATION TERMINÉE. IMPORTANT : À CONSERVER POUR L'USAGE DE L'INSPECTEUR LOCAL.

AVERTISSEMENT

Si l'information de ce guide n'est pas suivie exactement, il peut en résulter un incendie ou un choc électrique causant des dommages à la propriété, des blessures ou la mort.

AVERTISSEMENT

Ne réparez, remplacez, ni ne retirez aucune partie de l'appareil, excepté si les manuels recommandent de le faire. Une installation, un entretien ou une inspection incorrects peuvent occasionner des blessures ou des dommages matériels. Reportez-vous au présent manuel pour obtenir des indications. Toute autre intervention doit être effectuée par un technicien agréé.

La garantie ne couvre pas une mauvaise installation.

AVERTISSEMENT

INFORMATION SUR LE DANGER

Un enfant ou un adulte peut renverser le four et être tué.

Installer le dispositif anti-bascullement sur la structure et / ou le four. Vérifiez que le dispositif anti-bascullement a été correctement installé et engagé.

Engagez le four sur le dispositif anti-bascullement. Assurez-vous que le dispositif anti-bascullement est réengagé lorsque la cuisinière est déplacée.

Réengager le dispositif anti-bascullement si la cuisinière est déplacée. Ne pas utiliser la cuisinière sans le dispositif anti-bascullement en place et engagé.

Voir les instructions d'installation pour plus de détails.

Non-respect des instructions de ce manuel peut entraîner la mort ou des brûlures graves pour les enfants et les adultes.

Vérifiez que l'installation et l'utilisation du support anti-bascullement est fait correctement. Inclinez délicatement la cuisinière vers l'avant de l'arrière pour s'assurer que le support anti-bascullement s'engage dans la patte de la cuisinière et empêche le renversement. La cuisinière ne doit pas bouger de plus de 2,5 cm (1 po).



Sécurité de manutention des appareils



Certaines surfaces peuvent avoir des bords tranchants. Faire attention en étendant le bras derrière l'appareil ou en dessous.

Portez des gants pour éviter de vous couper les doigts sur les bords tranchants pendant l'installation.

Le bloc est lourd et nécessite au moins deux personnes ou bien un équipement approprié pour le déplacement.

Ne soulevez pas l'appareil par la poignée de la porte du four. Retirez la porte du four pour faciliter la manipulation et l'installation. Voir la section "Démontage/remplacement de la porte du four".

N'utilisez pas le four pour le stockage.

Codes et normes de sécurité

Cet appareil est conforme à une ou plusieurs des normes suivantes :

ANSI Z21.1/CSA 1.1, appareils électroménagers pour la cuisson à gaz

Il incombe au propriétaire et à l'installateur de déterminer si des exigences et/ou normes additionnelles s'appliquent pour des installations spécifiques.

L'installation doit être conforme aux codes locaux ou, en l'absence de tels codes, au National Fuel Gas Code ANSI Z223.1/NFPA 54 ou, au Canada, au code national CSA B149.1 d'installation du gaz naturel et du propane.

L'appareil doit être mise à la terre en conformité aux codes locaux, ou en l'absence de tels codes, à la dernière version du National Electric Code NFPA 70 ou, au Canada, au code canadien de l'électricité CSA C22.1-02.

Sécurité électrique

AVERTISSEMENT

Avant tout raccordement de cordon électrique ou toute mise sous tension, assurez-vous que toutes les commandes sont en position OFF (d'arrêt).

S'assurer que l'appareil est installé et mis à la terre par un technicien qualifié. L'installation, les connexions électriques et la mise à la terre doivent être conformes à tous les codes applicables.

Avant l'installation, mettre l'appareil hors service au panneau de service. Verrouiller le panneau d'entrée d'électricité pour éviter que le courant ne soit accidentellement rétabli.

Pour les appareils dotés d'un cordon et d'une fiche, ne pas couper ou enlever la broche de mise à la terre. Le cordon doit être branché dans une prise de courant adaptée de type mise à la terre pour éviter tout risque d'électrocution. S'il y a un doute en ce qui concerne la mise à la terre de la prise murale, le client devra s'adresser à un électricien qualifié.

N'utilisez pas de rallonge.

CONSIGNES DE SÉCURITÉ IMPORTANTES

LIRE ET CONSERVER CES INSTRUCTIONS

N'utilisez pas d'adaptateur.

S'il y a lieu, conformément au Code national de l'électricité (ou au Code canadien de l'électricité), cet appareil doit être installé sur un circuit de dérivation séparé.

Le disjoncteur doit avoir une séparation de contact de 3 mm. minimum pour tous les pôles.

Installateur – Indiquer au propriétaire l'emplacement du disjoncteur ou du fusible. Identifier sa position pour pouvoir le retrouver facilement.

Consultez la plaque signalétique pour de plus amples renseignements. Voir « Comment obtenir une garantie » dans le « Service à la clientèle » pour connaître l'emplacement de l'étiquette signalétique.

Sécurité en matière de gaz

Installer un robinet d'arrêt de gaz à proximité de l'appareil. Celui-ci doit être facilement accessible en cas d'urgence.

Les essais d'étanchéité doivent être effectués par l'installateur conformément aux instructions du présent manuel.

L'appareil et le robinet individuel de fermeture à commande manuelle dont il est muni doivent être déconnectés du système de canalisations de gaz lors de tout contrôle de pression où la pression d'essai est supérieure à ½ psi (3,5 kPa).

L'appareil doit être isolé du système de canalisations de gaz en fermant le robinet individuel de fermeture à commande manuelle dont il est muni pendant tout contrôle de pression du système de canalisations de gaz à des pressions d'essai inférieures ou égales à ½ psi (3,5 kPa).

La pression minimale d'alimentation doit être de 1 po CE au-dessus de la pression du distributeur, tel qu'indiqué sur la plaque signalétique.

La pression maximale d'alimentation ne pas dépasser 14 po CE (34,9 millibars).

Une ligne de production métallique souple ou un tuyau métallique fixe doit être utilisé pour raccorder le gaz à l'appareil. Si une conduite de gaz en métal ne peut pas être utilisée, veuillez vous adresser à un électricien agréé local ou aux codes électriques locaux pour obtenir une mise à la terre appropriée.

AVIS DE SÉCURITÉ IMPORTANT : l'incinération de combustible gazeux de cuisson peut générer des sous-produits qui figurent sur la liste des substances reconnues par l'État de Californie comme étant cancérigènes ou nuisibles à la reproduction. Pour minimiser l'exposition à ces substances, toujours faire fonctionner cet appareil conformément aux instructions contenues dans cette brochure et assurer une bonne ventilation.

Avertissement issu de la proposition 65 :

Ce produit pourrait contenir un produit chimique reconnu par l'État de la Californie comme cancérigène ou ayant des effets nocifs sur la reproduction. Par conséquent, l'emballage de votre produit pourrait porter l'étiquette suivante, comme requis par la Californie :

AVERTISSEMENT ISSU DE LA PROPOSITION 65 DE L'ÉTAT DE LA CALIFORNIE :

 **AVERTISSEMENT**

Cancer et dommages à la reproduction

www.P65Warnings.ca.gov

Installation au gaz propane

La bouteille de gaz propane doit comporter son propre régulateur haute pression. De plus, le régulateur fourni avec cet appareil doit également être utilisé.

L'appareil est expédié depuis l'usine pour être utilisé avec du gaz naturel. S'il doit être utilisé avec du gaz propane, il doit être converti. Un technicien ou installateur qualifié devra se charger de la conversion.

Cet appareil a été certifié pour un fonctionnement sécuritaire à une hauteur maximale de 10 000 pi. Exception : pour l'utiliser avec du gaz propane, l'appareil doit être converti conformément aux instructions de conversion au propane.

Pour les installations dans l'État du Massachusetts

- L'installation doivent être effectuée par un entrepreneur qualifié ou titulaire d'une licence, un plombier ou un monteur d'installation au gaz qualifié ou titulaire d'une licence octroyée par l'État, la province ou la région où cet appareil est installé.
- Le robinet d'arrêt doit être un robinet de gaz muni d'une poignée en « T ».
- La longueur du raccord flexible de gaz ne doit pas dépasser 36 pouces.

Installateur - montrez au propriétaire où se trouve le robinet d'arrêt de gaz.

CONSIGNES DE SÉCURITÉ IMPORTANTES

LIRE ET CONSERVER CES INSTRUCTIONS

Équipement de sécurité

L'appareil ne doit être utilisé que s'il est installé par un technicien qualifié conformément à ces instructions d'installation et à tous les règlements et codes. Le fabricant n'est pas responsable des dommages résultant d'une installation incorrecte.

Enlever le ruban adhésif et l'emballage avant d'utiliser l'appareil. Détruire l'emballage après avoir déballé l'appareil. Ne jamais laisser les enfants jouer avec les matériaux de conditionnement.

Ne jamais modifier ni altérer la configuration de l'appareil. Par exemple, ne pas retirer les pieds de nivellement, les panneaux, les couvercles de câblage ou les fixations/vis antibasculement.

Pour éliminer le risque de brûlures ou d'incendie lorsque l'on allonge le bras au-dessus des éléments de surface chauds, éviter d'installer des placards au-dessus des éléments de surface. Si l'installation de placards est prévue, le risque peut être réduit en installant une hotte aspirante qui dépasse horizontalement d'au moins 5 po (127 mm) la base du placard.

Vérifiez que la profondeur des armoires situées au-dessus de la table de cuisson ne dépasse pas 13 po (330 mm).

Lors de l'installation de la table de cuisson sur un four simple, prendre bien soin de suivre les instructions des manuels d'installation du four et de la table de cuisson.

Recommandations sur la ventilation

Il est vivement recommandé d'installer une hotte aspirante au-dessus de cet appareil. La hotte aspirante doit être installée conformément aux instructions qui l'accompagnent.

ATTENTION

L'appareil ne devrait pas être installé avec un système de ventilation qui souffle l'air vers les brûleurs. Ce type de système de ventilation peut causer des problèmes d'allumage et de combustion avec l'appareil de cuisson au gaz et pourrait provoquer des blessures ou nuire au fonctionnement normal.

Conversion gaz au propane

AVERTISSEMENT

Si l'appareil n'est pas installé par un installateur ou un électricien qualifié, des blessures corporelles ou la mort par électrocution peuvent survenir.

Tous les ajouts, modifications ou conversions nécessaires pour que cet appareil réponde de manière

satisfaisante aux besoins de l'application doivent être effectués par un technicien qualifié.

AVERTISSEMENT

Cette trousse de conversion doit être installée par une agence de réparation qualifiée en conformité aux directives du fabricant et de tous les autres codes et toutes les exigences en vigueur de l'autorité ayant juridiction. Si les directives ne sont pas suivies à la lettre, il y a un risque d'incendie, d'explosion ou de génération de monoxyde de carbone pouvant entraîner des dommages matériels, des blessures ou une perte de vie. L'agence de réparation qualifiée est responsable de la bonne installation de cette trousse. L'installation n'est pas jugée terminée et adéquate jusqu'à ce que l'on ait testé l'appareil converti comme précisé dans les directives du fabricant fournies avec la trousse.

Installation à altitude élevée

Cet appareil a été testé pour son fonctionnement jusqu'à une altitude de 10 000 pi (3 048 m) d'altitude au-dessus du niveau de la mer.

Si désiré, pour des altitudes supérieures à 2 000 pi (610 m) d'altitude au-dessus du niveau de la mer, des ajustements peuvent être apportés. Veuillez vérifier les brûleurs au réglage le plus bas. Si la flamme est instable, haussez la flamme de mijotage jusqu'à ce qu'elle soit stable. Vous pouvez le faire en réglant la vis de dérivation de la soupape. Si la flamme réagit de manière satisfaisante, aucun ajustement n'est requis. C'est requis qu'un professionnel certifié effectue les réglages de haute altitude pendant l'installation. Des ensembles de buses à haute altitude pour le gaz naturel et le gaz propane sont disponibles pour les installations à 2 000-6 500 pi (610 à 1 981 m) ou 6 501 à 10 000 pi (1 982 à 3 048 m) si les réglages à l'aide de la vis de dérivation ne résolvent pas les problèmes de performance.

Avant de commencer

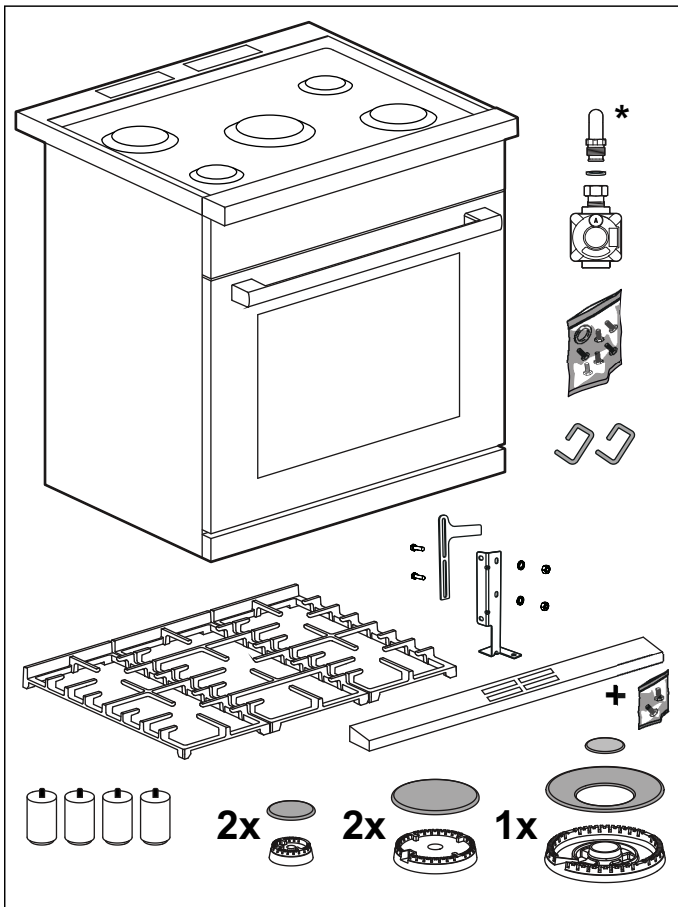
Outils et pièces nécessaires

- Tournevis à tête Phillips
- Tournevis plat 1/8 po (3,5 mm)
- Clé réglable
- Pincettes à rainure et languette
- Prise ou une clé plate de 3/8 po (10 mm) ou une pince
- Prise ou une clé plate de 7/8 po (22 mm) ou une pince
- Perceuse avec une mèche de 5/16 po (8 mm)
- Crayon
- Ruban-mesure
- Bande de téflon ou composé de joint de tuyau

Remarque : Des matériaux supplémentaires peuvent être nécessaires pour l'installation de comptoirs à surface solide. Contactez le fabricant du comptoir.

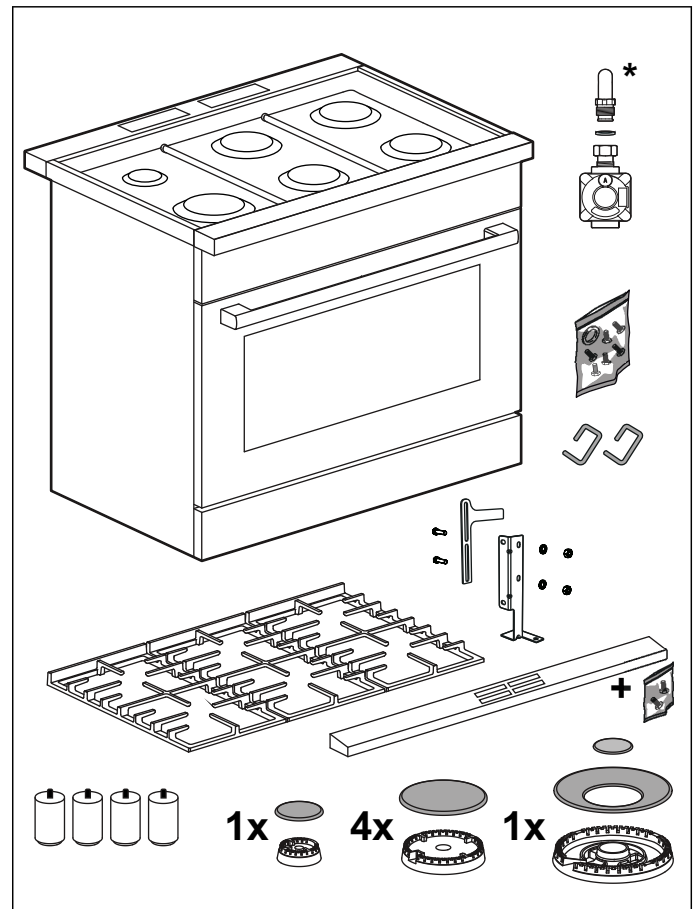
Pièces comprises

30 po :



* Fixé à l'appareil.

36 po :



* Fixé à l'appareil.

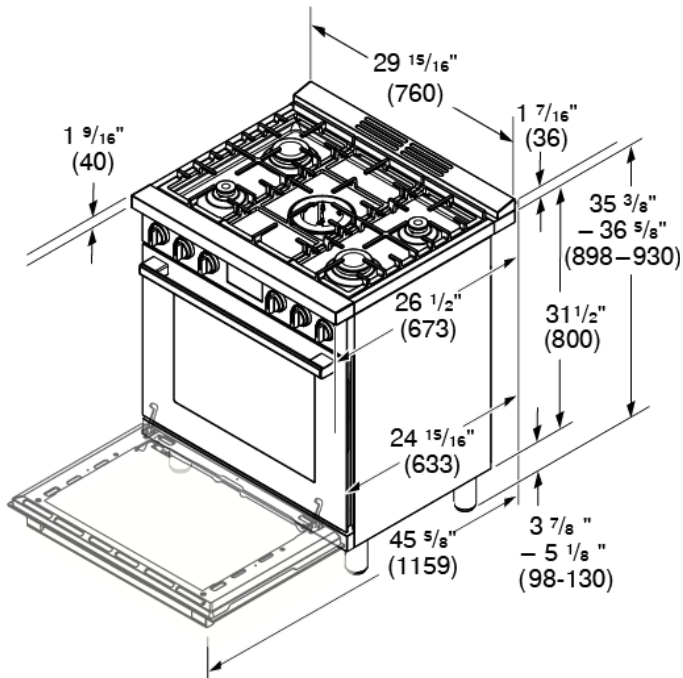
Pour enlever l'emballage

Voir le schéma sur l'emballage.

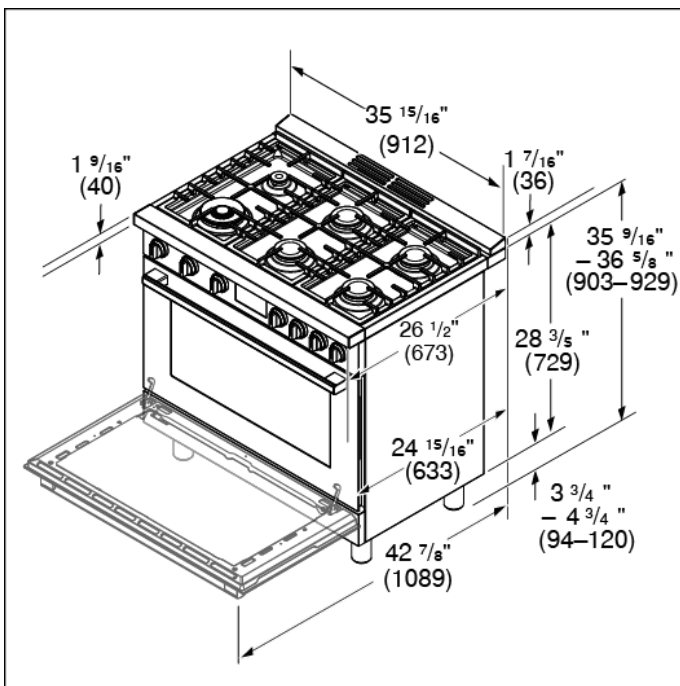
- S'il y a des sangles, coupez-les.
- Coupez le plastique à l'arrière de l'appareil en vous assurant de ne pas couper l'appareil.
- Retirez le film protecteur.
- Soulevez l'étui en carton du haut de gamme et jetez-le.
- Enlevez les montants d'angle en vous assurant que tous les autres matériaux d'emballage se trouvant entre les montants d'angle sont également enlevés.
- Retirez tous les emballages internes et le ruban adhésif.
- La garniture de ventilation arrière est imbriquée dans l'emballage en polystyrène pour les besoins de l'expédition. Ne pas jeter.

Informations générales

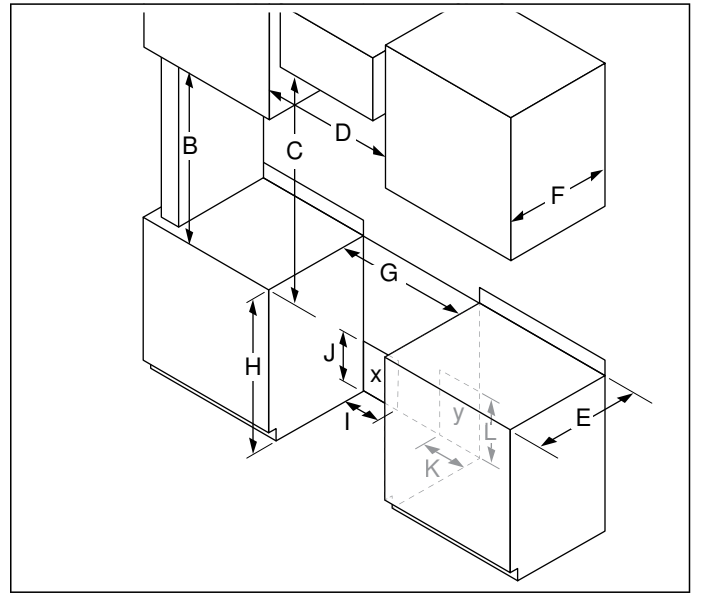
30":



36":



Exigences pour les placards



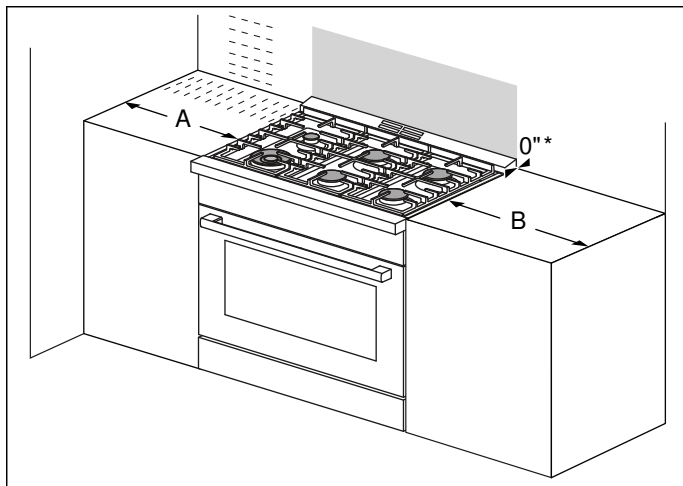
X = Prise de mise à la terre

Y = Conduite d'alimentation en gaz

Les distances minimaux qui doivent être respectés lors de l'installation de la plaque de cuisson au gaz doivent être les suivants :

- B** minimum 18 po (457 mm)
- C** dégagement minimal de 30 po (762 mm) entre le dessus de la surface de cuisson et le dessous de l'armoire en bois ou en métal non protégée
- D** 30 po : minimum 30 po (762 mm)
36 po : minimum 36 po (914 mm)®
- E** minimum 25 po (635 mm)
- F** maximum 13 po (330 mm)
- G** 30 po : minimum 30 po (762 mm)
36 po : minimum 36 po (914 mm)®
Dégagement nul entre la construction de combustible adjacente en dessous de la surface du comptoir et les côtés de l'appareil.
- H** 35 po 3/8 - 36 po 9/16 (898 - 930 mm)
- I** 11 po (279 mm)
- J** 7 po (178 mm)
- K** 6 po (150 mm)
- L** 11 po (279 mm)

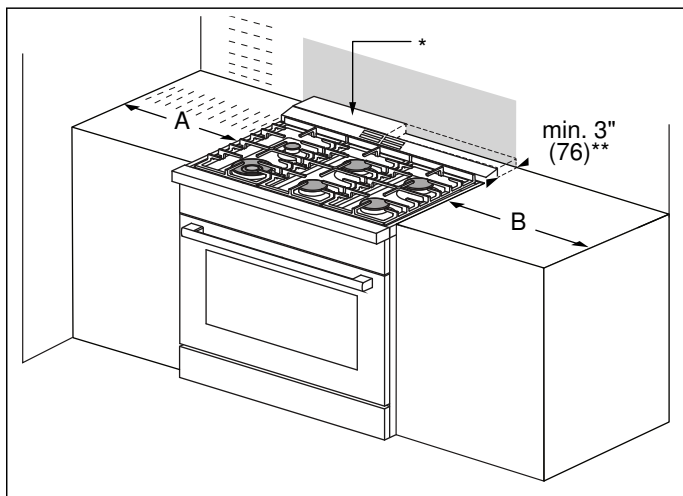
Choisir l'une des configurations intégrées suivantes.
Installation autorisé uniquement avec paroi arrière non combustible



- Option 1 : A > = 12 po (305 mm) et B > = 28 po (711 mm)
- Option 2 : A > = 28 po (711 mm) et B > = 12 po (305 mm)

* Dégagements par rapport aux matériaux non combustibles ne font pas partie du domaine d'application ANSI Z21.1 et ne sont pas certifiés par Intertek. Les dégagements de moins de 3 po (76 mm) doivent être approuvés par le et / ou par l'autorité locale compétente.

Installation de l'îlot (applicable à la fois avec paroi arrière non combustible et mur arrière combustible)

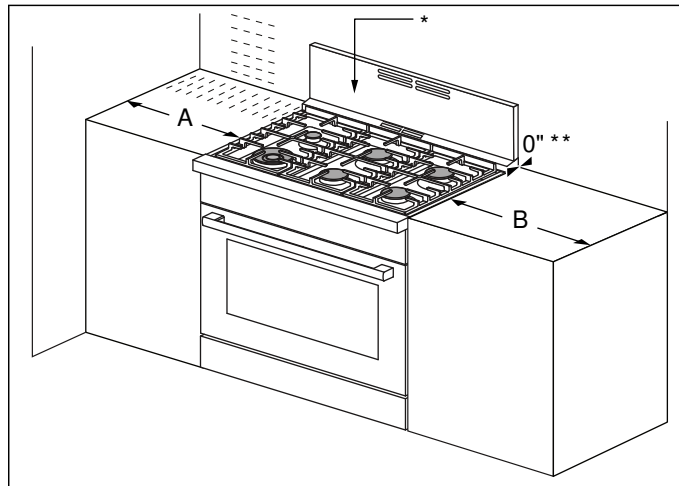


- Option 1 : A > = 12 po (305 mm) et B > = 28 po (711 mm)
- Option 2 : A > = 28 po (711 mm) et B > = 12 po (305 mm)

* Acheté séparément

** Dégagements des matériaux incombustibles ne font pas partie du domaine d'application ANSI Z21.1 et ne sont pas certifiés par Intertek. Les dégagements de moins de 3 po (76 mm) doivent être approuvés par le et / ou par l'autorité locale compétente.

Protection arrière basse Installation (applicable à la fois avec paroi arrière non combustible et paroi arrière combustible)



- Option 1 : A > = 12 po (305 mm) et B > = 28 po (711 mm)
- Option 2 : A > = 28 po (711 mm) et B > = 12 po (305 mm)

* Acheté séparément

** Dégagements des matériaux incombustibles ne font pas partie du domaine d'application ANSI Z21.1 et ne sont pas certifiés par Intertek. Les dégagements de moins de 3 po (76 mm) doivent être approuvés par le et / ou par l'autorité locale compétente.

Caractéristiques techniques

30 po (5 brûleurs) :

Intensité totale raccordée, électrique	1 A (120 W)
Intensité totale raccordée, gaz (gaz naturel)	48,000 BTU/h (14.1 kW)
Intensité totale raccordée, gaz (gaz au propane)	48,000 BTU/h (14.1 kW)

36 po (6 brûleurs) :

Intensité totale raccordée, électrique	1 A (120 W)
Intensité totale raccordée, gaz (gaz naturel)	63,000 BTU/h (18.4 kW)
Intensité totale raccordée, gaz (gaz au propane)	63,000 BTU/h (18.4 kW)

Four :

Brûleur de four Intensité totale raccordée au gaz (gaz naturel/gaz au propane)	17,000 BTU/h (5.0 kW)
Gril de 30 po Intensité totale raccordée au gaz (gaz naturel/gaz au propane)	11,500 BTU/h (3.4 kW)
Gril de 36 po Intensité totale raccordée au gaz (gaz naturel/gaz au propane)	14,000 BTU/h (4.1 kW)

Liste de contrôle pour l'installation

Veuillez consulter les pages suivantes pour les instructions d'installation complètes. Utilisez cette liste de contrôle pour vérifier que vous avez terminé chaque étape du processus d'installation. Cela peut vous aider à éviter de commettre des erreurs.

✓ Étape d'installation

Avant d'installer la cuisinière, assurez-vous que les dimensions du caisson sont correctes pour votre appareil et que les connexions électriques et gaz nécessaires sont présentes.

Avant d'installer la gazinière, veuillez vous assurer que tout orifice dans le mur derrière l'appareil et dans le plancher sous l'appareil est scellé.

Reportez-vous au manuel d'installation pour le contenu concernant la sécurité, les dimensions du caisson, le démontage de l'emballage, l'installation électrique, le raccordement au gaz et le service clientèle.

Le retrait de la porte du four avant l'installation réduit le poids unitaire et facilite le déplacement de l'appareil. De plus, le retrait de la porte du four donne accès à des poignées pour la levée.

Montage des pieds réglables.

Préparez le raccordement au gaz.

Placez la cuisinière (2 personnes nécessaires) devant l'ouverture d'installation, en laissant l'emballage inférieur sur l'appareil pour éviter d'endommager le revêtement de sol.

Branchez la cuisinière dans une prise de courant correctement configurée.

Protégez le revêtement de sol contre les dommages, puis faites glisser l'appareil jusqu'en place tout en veillant à ce que le cordon d'alimentation soit correctement installé.

Réinstallez la porte du four.

Procédure d'installation

Un rideau d'air ou une autre hotte de cuisinière suspendue, qui fonctionne en soufflant un flux d'air vers le bas sur une cuisinière, ne doit pas être utilisé conjointement avec la cuisinière à gaz à moins que la hotte et la cuisinière n'aient été conçues et testées conformément à la norme ANSI Z21.1 et répertoriées par un laboratoire d'essais indépendant pour une utilisation combinée.

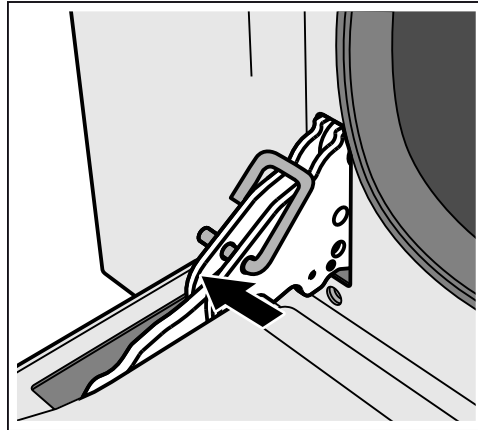
Démontage de la porte du four

▲ AVERTISSEMENT

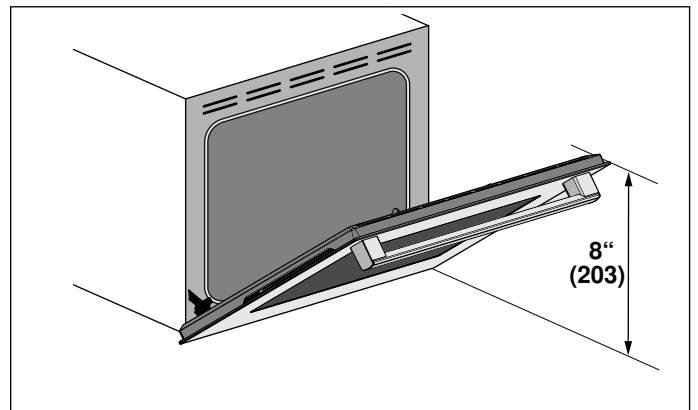
- Assurez-vous de laisser refroidir le four et que l'alimentation du four ait été coupée avant de retirer la porte. Le non-respect de cette précaution pourrait entraîner un choc électrique ou des brûlures.
- La porte du four est lourde et certaines parties sont fragiles. Enlevez-la à deux mains. Le devant de la porte est en verre. Manipulez les lentilles avec précaution pour éviter de les endommager.
- Saisissez uniquement le côté de la porte du four. Ne saisissez pas la poignée, car elle peut pivoter dans la main et provoquer des dommages ou des blessures.
- Si la porte du four n'est pas saisie fermement et correctement, il y a un risque de blessure ou de dommage à l'appareil.
- Pour éviter les blessures causées par la fermeture de la ferrure d'articulation, assurez-vous que les deux leviers sont bien en place avant de retirer la porte. De plus, ne forcez pas la porte à s'ouvrir ou à se fermer : la charnière pourrait être endommagée et des blessures pourraient en résulter.
- Ne posez pas la porte sur des objets pointus ou tranchants, car cela pourrait briser la vitre. Posez la porte sur une surface plane et lisse de sorte à ne pas la faire tomber.

Pour éviter de vous blesser ou d'endommager l'appareil, lisez attentivement l'AVERTISSEMENT ci-dessus avant d'essayer d'enlever la porte du four.

1. Ouvrez complètement la porte du four.
2. Verrouillez les charnières gauche et droite à l'aide de la goupille de verrouillage. Les goupilles de verrouillage doivent être complètement insérées dans les trous des charnières.



3. Fermez la porte du four jusqu'à ce qu'elle s'enclenche sur les leviers d'arrêt des charnières tout en verrouillant ces dernières selon l'angle correct pour le retrait de la porte. La porte peut être retirée lorsqu'elle est soulevée d'environ 8 pouces (203 mm) de la position ouverte. La tension des charnières à ressort est ainsi relâchée, ce qui permet à la porte de s'ouvrir facilement.



▲ ATTENTION

RISQUE DE PINCEMENT

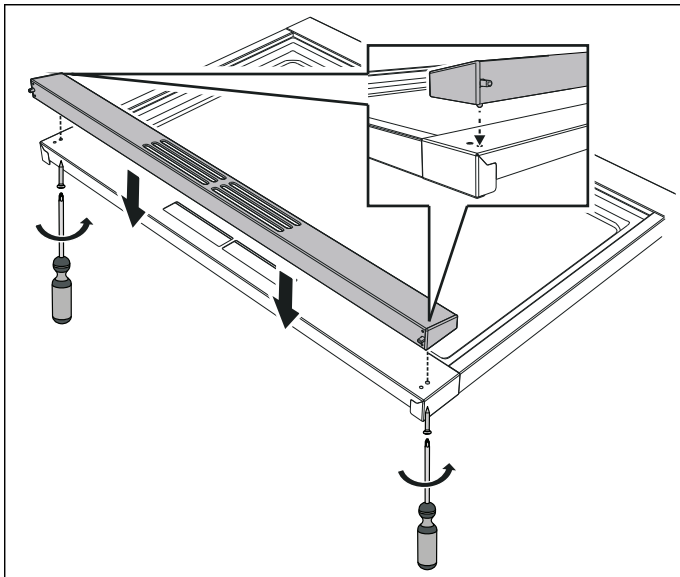
La fermeture de la porte de 8 po (203 mm) enlève la pression du ressort. Si cela n'est pas fait, la porte peut toujours être retirée, mais le loquet se referme et vous pince ou vous coupe la main.

- La porte est lourde. Saisissez les côtés de la porte fermement et des deux mains. Ne saisissez pas la porte par la poignée. En maintenant l'angle de la porte au même niveau, soulevez cette dernière d'environ 3/4 po (19 mm) vers le haut pour décrocher les charnières des fentes, puis tirez-la vers vous jusqu'à ce que les charnières soient libres du foyer du four.
- Placez la porte dans un endroit pratique et stable pour le nettoyage.
- Remplacez la porte dans l'ordre inverse dans lequel elle a été retirée.

Remarque : Ne jetez pas les goupilles de verrouillage. Gardez-les en lieu sûr. Ils seront nécessaires chaque fois que la porte sera retirée de l'appareil.

Ajustement de la garniture de ventilation arrière

- La garniture de ventilation arrière est imbriquée dans l'emballage en polystyrène. Retirez l'emballage et le film protecteur de la garniture de ventilation arrière.
- Placez la garniture de ventilation arrière dans les trous prévus à cet effet à l'aide des goupilles de fixation.



- Insérez et serrez par le bas les vis fournies.

Montage des pieds réglables

⚠ ATTENTION

N'utilisez pas la poignée de porte ou le panneau de commande de projection pour transporter.

⚠ ATTENTION

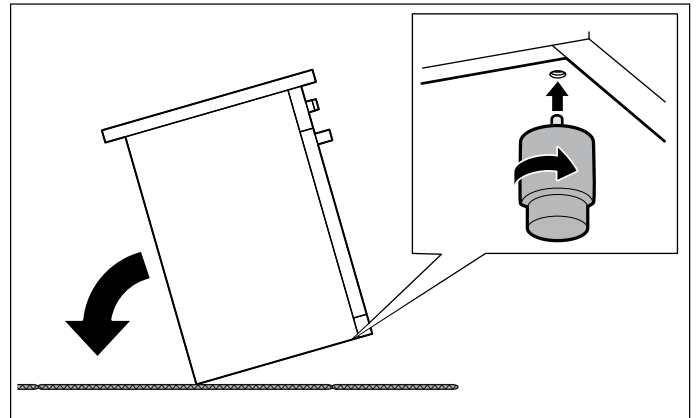
Afin d'éviter tout risque d'endommagement des pieds lors de l'installation, ceux-ci doivent être installés le plus près possible de l'emplacement final de l'appareil.

- Déplacez l'appareil le plus près possible de l'emplacement final de l'appareil.

⚠ ATTENTION

Protégez le plancher.

- Retirez toutes les pièces qui ne sont pas fixées de façon permanente, en particulier les supports de casseroles et les brûleurs.
- Retirez les accessoires du four.
- Inclinez l'appareil et le mettre au plancher sur le côté arrière.

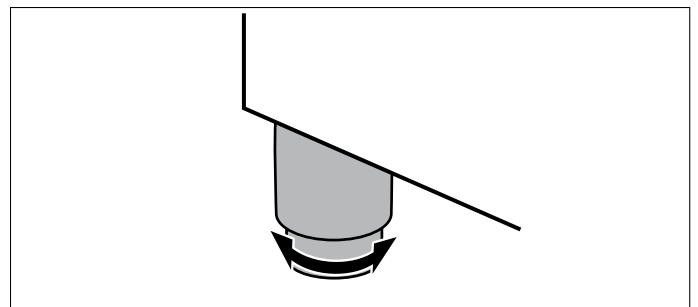


- Vissez les pieds réglables dans les trous de fixation sur la face inférieure de l'appareil.
- Vissez complètement les pieds réglables.

⚠ ATTENTION

Les pieds ou le boîtier inférieur de l'appareil peuvent être endommagés lors du repositionnement de l'appareil sur ses pieds.

- Soigneusement replacer l'appareil sur les pieds.
- Pour aligner l'appareil, faites pivoter les pieds réglables.



Remarques

- Mesurez la hauteur de montage de l'armoire et ajustez la hauteur de l'appareil en conséquence avant de le placer dans l'armoire.
- Déplacez l'appareil avec précaution jusqu'à sa position finale, uniquement si les pieds sont bien ajustés.

Branchement du gaz

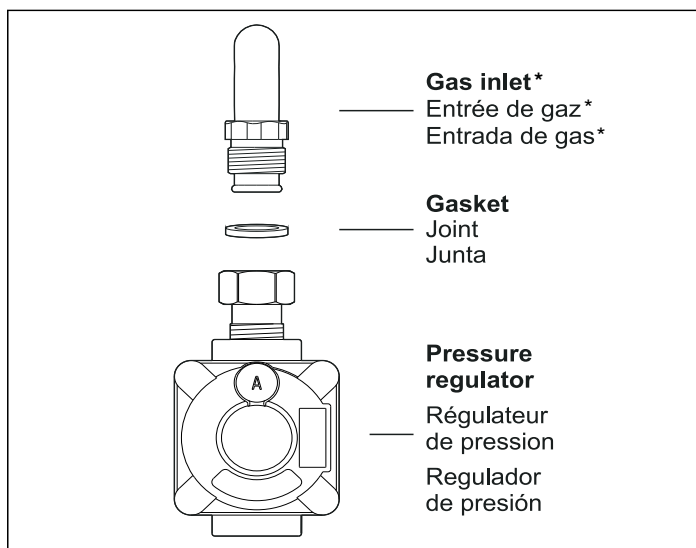
L'appareil électroménager est livré de l'usine prêt à utiliser avec du gaz naturel à une pression de 5 po de la colonne d'eau. Lors de la vérification du bon fonctionnement du régulateur, la pression d'entrée doit être supérieure d'au moins 1 po à la pression de fonctionnement (collecteur) ci-dessus. Lorsqu'il est utilisé avec du gaz naturel, la pression fournie au régulateur doit se situer entre 6 po et 10.5 po de la colonne d'eau. Pour convertir l'appareil au gaz propane, voir « Conversion au gaz propane (GPL) ». Un technicien ou un installateur qualifié doit procéder à la conversion. Utilisez un tuyau de gaz flexible d'une longueur d'au moins 5 pi (1,5 m).

L'admission de gaz de l'appareil est située à droite, à l'arrière de l'appareil.

Installez le régulateur de pression (fourni avec l'appareil) à l'entrée du gaz. Positionner le joint (fourni avec l'unité) entre l'entrée et le régulateur. Positionnez le régulateur pour avoir le capuchon D (→ Page 43) facilement accessible. Tournez l'écrou sur l'entrée de gaz pour serrer à la main plus 1/3 de tour.

Installez le tuyau de gaz au régulateur à l'aide d'un ruban de Téflon ou de pâte à joint (résistant au gaz au propane et au gaz naturel). Serrez à la main puis tournez 1/3 de tour. Ne tournez pas plus de 1 tour lors de l'alignement, pour éviter d'endommager le régulateur de pression de gaz.

Vérifiez les raccords d'entrée ainsi que le régulateur pour détecter la présence de fuites.

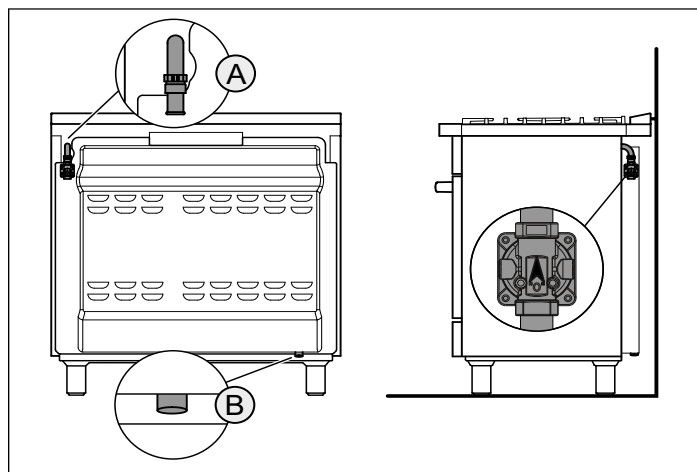


* Fixé à l'appareil.

▲ AVERTISSEMENT

N'essayez pas de régler le régulateur de pression, sauf lors de la conversion au propane. Les réglages peuvent entraîner des fuites ou une pression de gaz incorrecte dans l'appareil.

Vue latérale et arrière de l'installation de la cuisinière à gaz



Emplacement du gaz

- A Raccordement du gaz
- B Raccordement électrique

Raccordez la conduite d'alimentation en gaz au régulateur de pression de l'appareil avec un connecteur souple de gaz de 1/2 po entre le robinet d'arrêt manuel et le régulateur de pression. Une ligne de production métallique souple ou un tuyau métallique fixe doit être utilisé pour raccorder le gaz à l'appareil. Si une conduite de gaz en métal ne peut pas être utilisée, veuillez vous adresser à un électricien agréé local ou aux codes électriques locaux pour obtenir une mise à la terre appropriée.

Vérifiez les raccords de la conduite d'alimentation pour détecter les fuites en utilisant une solution savonneuse ou un liquide de détection de fuites non corrosif. N'utilisez jamais de flamme de quelque nature que ce soit.

▲ AVERTISSEMENT

Installez un robinet d'arrêt près de l'électroménager. Après l'installation, il doit être facilement accessible en cas d'urgence.

1. Ouvrez le gaz.
2. Appliquez une solution savonneuse ou un liquide de détection de fuites non corrosif à toutes les jonctions et tous les raccords des conduites de gaz entre le robinet d'arrêt et la table de cuisson. Incluez les raccords et les jonctions de gaz de la table de cuisson si les raccords ont pu être déréglés au cours de l'installation. Les bulles qui apparaissent autour des raccords indiquent une fuite.
3. En présence d'une fuite, coupez l'alimentation en gaz en fermant le robinet d'arrêt et serrez le ou les raccords qui fuient.
4. Testez de nouveau la présence de fuites en ouvrant le robinet d'arrêt de l'alimentation de gaz. Lors de la vérification des fuites est terminé (aucune bulle n'apparaît), le test est terminé.

5. Essuyez tout résidu de la solution savonneuse ou du liquide de détection de fuite.

Remarques importantes concernant le raccord au gaz :

- L'appareil et son propre robinet d'arrêt doivent être déconnectés de la canalisation du système d'alimentation en gaz au cours de tests de pression de ce système aux pressions qui dépassent 1/2 psi (3,5 kPa).
- L'appareil électroménager doit être isolé de la canalisation du système d'alimentation en gaz en fermant son propre robinet d'arrêt manuel pour tout test de pression de la canalisation du système d'alimentation en gaz à des pressions égales ou inférieures à 1/2 psi (3,5 kPa).

Pose de l'appareil

▲ AVERTISSEMENT

INFORMATION SUR LE DANGER

Un enfant ou un adulte peut renverser le four et être tué.

Installer le dispositif anti-basculement sur la structure et / ou le four. Vérifiez que le dispositif anti-basculement a été correctement installé et engagé.

Engagez le four sur le dispositif anti-basculé. Assurez-vous que le dispositif anti-basculé est réengagé lorsque la cuisinière est déplacée.

Réengager le dispositif anti-basculement si la cuisinière est déplacée. Ne pas utiliser la cuisinière sans le dispositif anti-basculé en place et engagé.

Voir les instructions d'installation pour plus de détails.

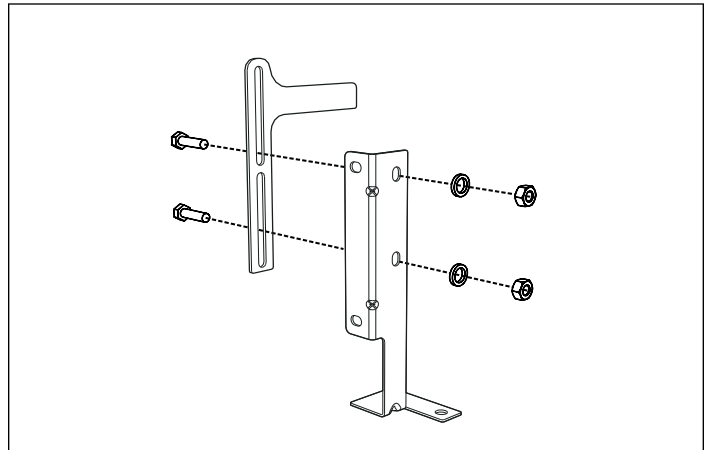
Non-respect des instructions de ce manuel peut entraîner la mort ou des brûlures graves pour les enfants et les adultes.

Vérifiez que l'installation et l'utilisation du support anti-basculement est fait correctement. Inclinez délicatement la cuisinière vers l'avant de l'arrière pour s'assurer que le support anti-basculé s'engage dans la patte de la cuisinière et empêche le renversement. La cuisinière ne doit pas bouger de plus de 2,5 cm (1 po).

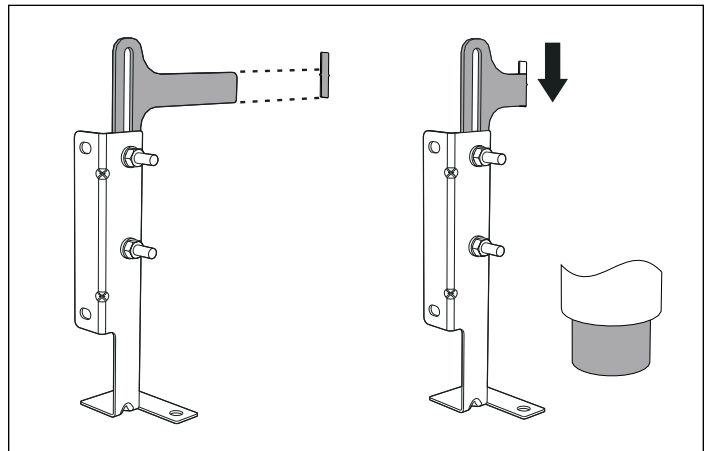


Montage de la console anti-basculement

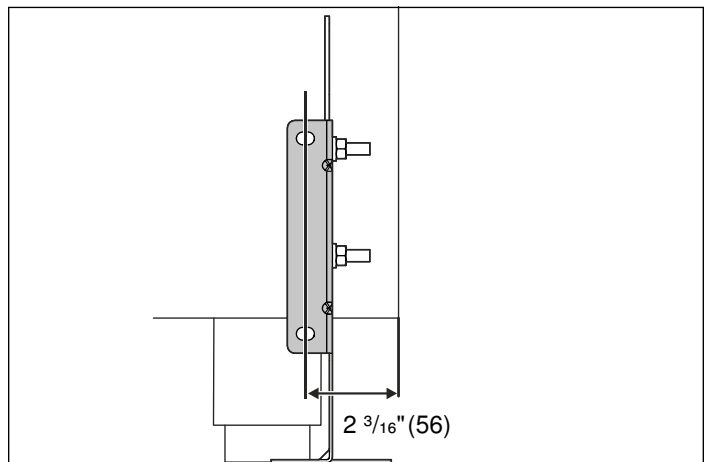
1. Veillez à ce que le raccordement électrique et le raccordement du gaz soient en position correcte.
2. Assemblez les supports.



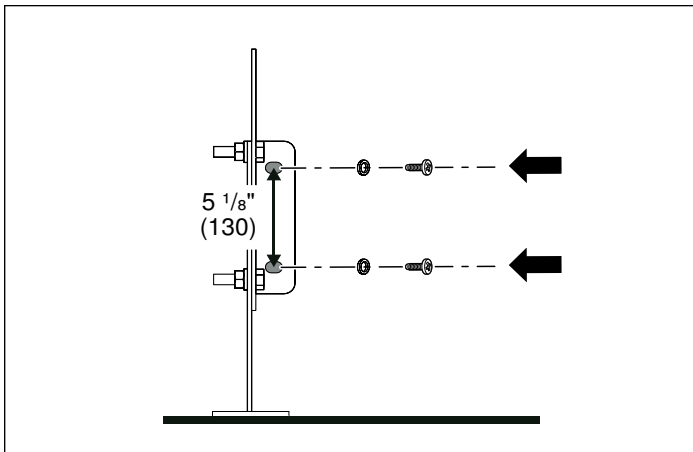
3. Orientez la base du crochet du support avec la base de la fente du support de fixation murale. Alignez la base du support de fixation avec le sol et serrez les vis pour fixer les mesures.



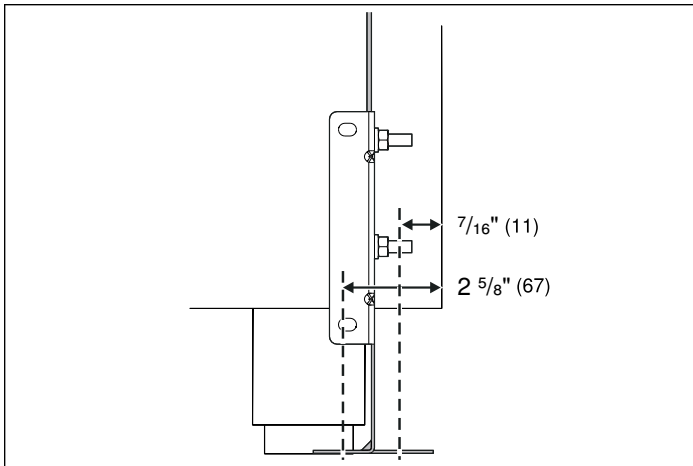
4. Pour le montage mural, procéder aux étapes 5-7 et 10. Pour le montage au sol, procédez comme suit 8-9 et 10.
5. Respectez la distance spécifiée entre le côté de l'appareil et les trous des supports.



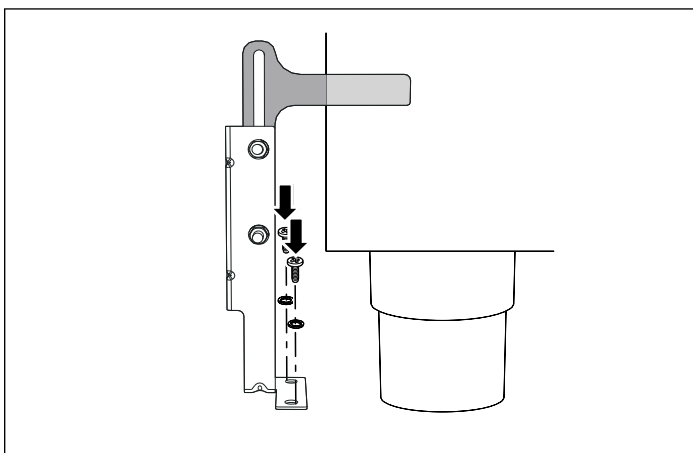
6. Déplacez le support sur le mur et fixer avec les deux rondelles et vis. Un technicien qualifié doit vérifier l'adéquation des matériaux en fonction du type et de l'état du mur.



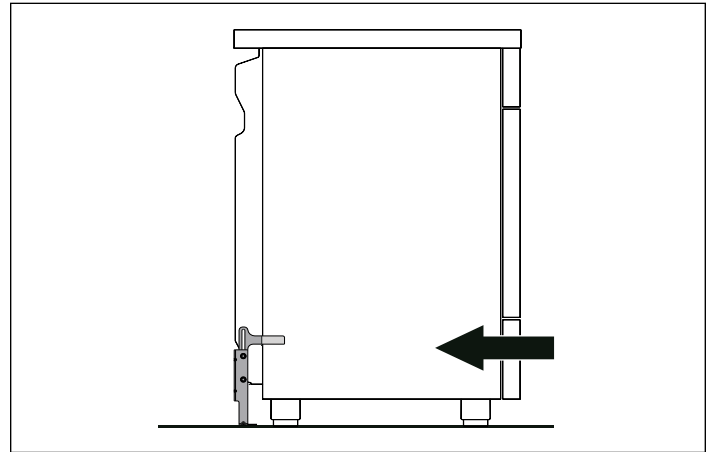
7. Respectez les distances suivantes pour déterminer la distance entre le côté de l'appareil et les trous des supports.



8. Après avoir positionné et mis à niveau l'appareil, rapprochez le support à l'arrière de l'appareil et fixez-le au sol avec les deux rondelles et vis. Un technicien qualifié doit vérifier l'adéquation des matériaux en fonction du type et de l'état du sol.



9. Déplacez la cuisinière vers le mur et, en même temps, insérez le support dans la plaque fixée à l'arrière de l'appareil.



⚠ AVERTISSEMENT

La garniture de ventilation arrière présente des espacements de 3/16 po (5 mm) pour maintenir l'appareil légèrement éloigné du mur arrière. Ne retirez pas ou ne modifiez pas les espacements en raison de problèmes potentiels de température.

10. Vérifiez que le support anti-basculement est correctement installé et utilisé. Basculez avec précaution la cuisinière vers l'avant en tirant de l'arrière pour vous assurer que le support anti-basculement engage le pied de la cuisinière et empêche le basculement. La portée ne doit pas dépasser 1" (2.5cm).

Brancher l'alimentation électrique

⚠ AVERTISSEMENT

Avant tout raccordement de cordon électrique ou toute mise sous tension, assurez-vous que toutes les commandes sont en position OFF (d'arrêt).

Avant de brancher le cordon d'alimentation de 5 pi (1.5 m) à une prise murale, assurez-vous que la soupape d'arrêt de gaz et toutes les commandes du brûleur sont en position "OFF".

⚠ AVERTISSEMENT

INSTRUCTIONS DE MISE À LA TERRE

L'électroménager est doté d'une fiche à trois broches mise à la terre pour vous protéger contre le danger d'électrocution. La fiche doit être utilisée dans une prise correctement mise à la terre. Ne pas enlever ni couper la broche de mise à la terre de la fiche.

Montage des chapeaux de brûleur

Brûleurs scellés

Votre table de cuisson neuve dispose de brûleurs à gaz scellés. Il n'y a aucune pièce de brûleur à nettoyer, démonter ou régler sous la table de cuisson. Votre table de cuisson a trois tailles de brûleurs différentes : petite, grande et double flamme.

▲ AVERTISSEMENT

Pour éviter les poussées, n'utilisez pas la table de cuisson sans tous les chapeaux de brûleur et toutes les grilles de brûleur correctement positionnés.

▲ AVERTISSEMENT

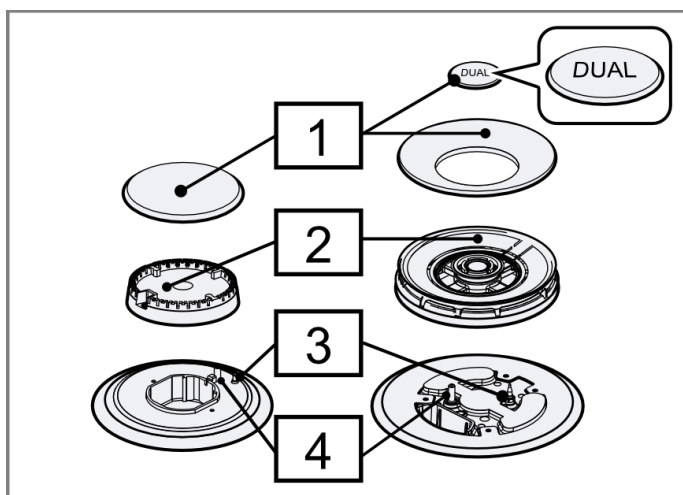
Pour éviter les brûlures, ne touchez pas les chapeaux ou les grilles du brûleur lorsqu'il sont chauds. Éteignez la table de cuisson et laissez refroidir les brûleurs.

Les pièces du brûleur doivent être correctement positionnées pour que la plaque de cuisson puisse fonctionner correctement. Si les pièces du brûleur ne sont pas correctement positionnées, un ou plusieurs des problèmes suivants peuvent survenir :

- La flamme du brûleur est trop élevée.
- Des flammes jaillissent des brûleurs.
- Décolorations de l'acier inoxydable.
- Les brûleurs ne s'allument pas.
- La flamme du brûleur n'est pas uniforme.
- Une odeur de gaz se dégage du brûleur.

Pièces de brûleur

Il faut que les chapeaux de brûleurs soient correctement positionnés pour le bon fonctionnement de la table de cuisson.



No.	Designation
1	Chapeau du brûleur
2	Base du brûleur
3	Allumeur
4	Thermocouple

Positionnement du chapeau et de la base du brûleur

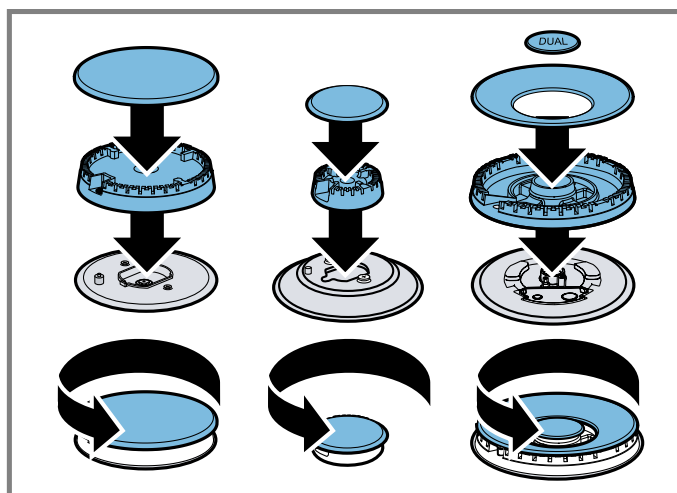
Après avoir terminé le raccordement électrique, déposer chaque base de brûleur à l'endroit correspondant sur la table de cuisson. Une des trois rainures sur la base du brûleur doit être alignée avec l'encoche pour empêcher son pivotement. Le petit trou ou la petite découpe près du rebord doit aussi être aligné(e) avec l'allumeur. Faire très attention de ne pas endommager l'allumeur lors de l'installation de la base. Voir l'illustration ci-dessous.

Une fois toutes les bases installées et bien appuyées, placer les chapeaux de brûleur sur la base correspondante. Voir l'illustration.

Ne permutez pas les chapeaux des brûleurs. Ceux-ci affecteront la stabilité de la flamme et rendront le brûleur impossible ou difficile à allumer. Le plus petit chapeau de brûleur marqué «^oDUAL» doit être utilisé exclusivement sur le brûleur à double flamme. Ne le mettez pas sur le petit brûleur.

Déposer délicatement le chapeau de brûleur sur le dessus de la base de sorte que les pattes de la base soient bien ajustées dans la goulotte du chapeau du brûleur.

Si un installateur certifié retire la table de travail (par exemple pour vérifier le raccordement électrique ou les conduites), il faut réinsérer les vis à tête cylindrique large pour assurer le bon fonctionnement des brûleurs.

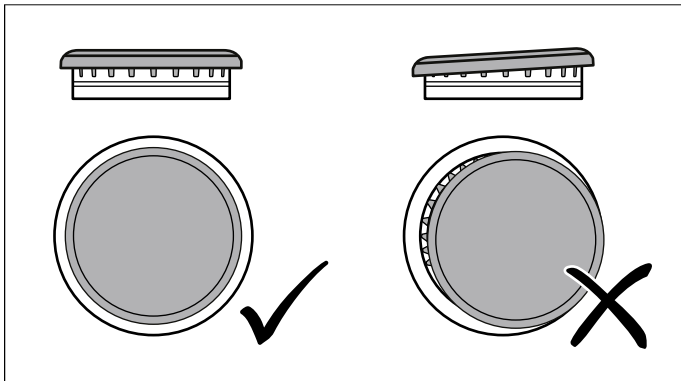


Brûleur	Dimensions du chapeau de brûleur
Brûleur à flamme double	Double intérieur : 1 3/4 po (45 mm) Anneau : 5 15/16 po (150 mm)
Petit brûleur	2 3/16 po (55 mm)
Grand brûleur	3 15/16 po (100 mm)

Vérification du positionnement du chapeau du brûleur

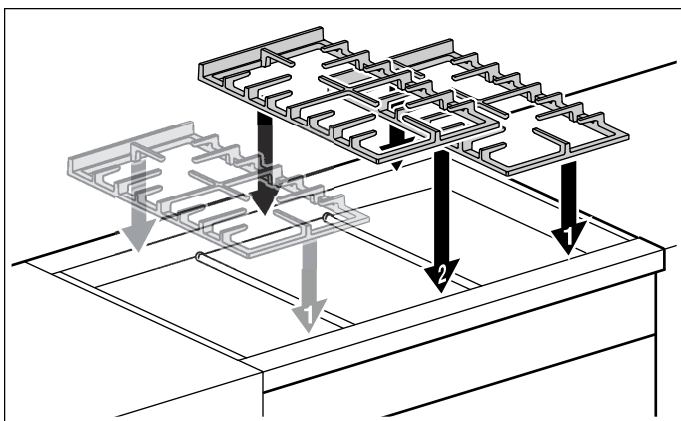
S'assurer qu'il n'y a aucun espace entre le chapeau et la base du brûleur. Consulter l'illustration ci-dessous pour voir un positionnement correct et incorrect du chapeau du brûleur.

Vous pouvez essayer délicatement de bouger le chapeau du brûleur pour vérifier s'il est correctement positionné. Si tel est le cas, un clic se fera entendre lorsque les pattes du chapeau frapperont la saillie de la goulotte.



Installation des grilles

Positionnez d'abord les grilles extérieures, puis la grille centrale. Si vous n'avez que deux grilles, l'ordre dans lequel vous les positionnez n'est pas important.



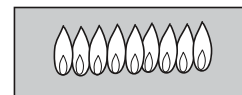
Vérification de l'installation

Placez chaque capot de brûleur de la bonne taille en position assise et crantée puis vérifiez le fonctionnement de l'allumeur électrique. Vérifiez les caractéristiques de la flamme. La flamme doit être bleue avec une pointe jaune minimale sur le cône extérieur des flammes.

Vérifiez les caractéristiques de la flamme

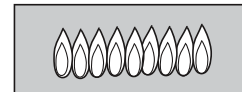
Flammes jaunes :

Des ajustements supplémentaires sont nécessaires.



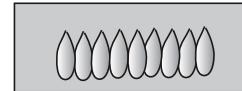
Pointes jaunes sur les cônes extérieurs :

Normal pour le gaz au propane



Flammes bleues douces :

Normal pour le gaz naturel



Flammes oranges :

Peut être normal si certains types d'humidificateurs sont utilisés dans la maison. Les flammes devraient redevenir bleues sans que l'humidificateur soit en marche.

Remarque : Si la flamme est complètement ou presque jaune, vérifiez que le régulateur est réglé avec le bon carburant. Recommencez le test après le réglage.

Des stries jaunes sont normales lors de la première mise en service. Laissez l'appareil fonctionner pendant 4 à 5 minutes et réévaluez la situation avant d'effectuer les réglages.

Test pour fuites de gaz

▲ AVERTISSEMENT

RISQUE D'INCENDIE

Ne vérifiez jamais les fuites de gaz avec une flamme.

L'installateur doit procéder au test de fuites selon les directives fournies dans cette section.

1. Ouvrez le gaz.
2. Appliquez un liquide de détection de fuite non corrosif. Incluez tous les joints et raccords entre le robinet d'arrêt et l'appareil. Intégrez des raccords à gaz et des joints dans l'appareil si les connexions ont pu être perturbées pendant l'installation.
3. Inspectez les fuites. Les bulles qui apparaissent autour des raccords indiquent une fuite.
4. En présence de fuite, coupez l'alimentation en gaz en fermant le robinet d'arrêt et serrez le ou les raccords qui fuient.
5. Vérifiez à nouveau s'il y a des fuites. Ré-ouvrez le gaz à la vanne d'arrêt de la conduite d'alimentation et reinjectez le fluide de détection de fuite.
6. Quand aucune bulle n'apparaît, le test de fuite est terminé. Essayez tout résidu de liquide de détection de fuite.

Conversion gaz au propane (LPG)

Prévoyez toujours une alimentation en gaz suffisante.

Cet appareil est expédié de l'usine pour être utilisé avec du gaz naturel. Utilisez cette trousse pour convertir l'appareil au gaz au propane si nécessaire. Observez ce qui suit :

Assurez-vous que la cuisinière est convertie pour pouvoir être utilisée avec le gaz approprié avant de l'utiliser.

Cet appareil est conçu pour fonctionner à une pression de 10 po de la colonne d'eau lorsqu'il est utilisé avec du gaz au propane.

Lors de la vérification du bon fonctionnement du régulateur, la pression d'entrée doit être supérieure d'au moins 1 po à la pression de fonctionnement (collecteur) ci-dessus. Lors de la conversion au gaz au propane, la pression fournie au régulateur doit se situer entre 11 po et 13 po de la colonne d'eau.

Le régulateur de pression qui se trouve à l'entrée du collecteur de gamme doit rester dans la conduite d'alimentation.

Utilisez un connecteur métallique flexible ou un tuyau rigide pour brancher l'appareil à l'alimentation en gaz. Le connecteur doit avoir un diamètre intérieur de 1/2 po et une longueur de 5 pieds (1.5 m) ou moins. (Exception : la longueur maximale des connecteurs dans les installations du Massachusetts est de 3 pieds (0.9 m)). Au Canada, le connecteur doit être en métal à paroi simple et d'une longueur maximale de 6 pieds (1.8 m). Conserver les ports retirés de l'appareil électroménager pour un usage ultérieur.

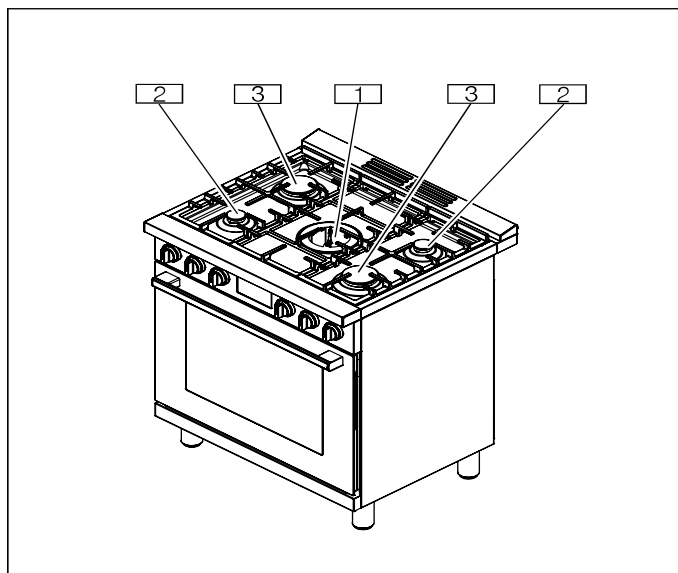
⚠ ATTENTION

L'alimentation en gaz doit être fermée avant de déconnecter électrique afin de procéder à la conversion.

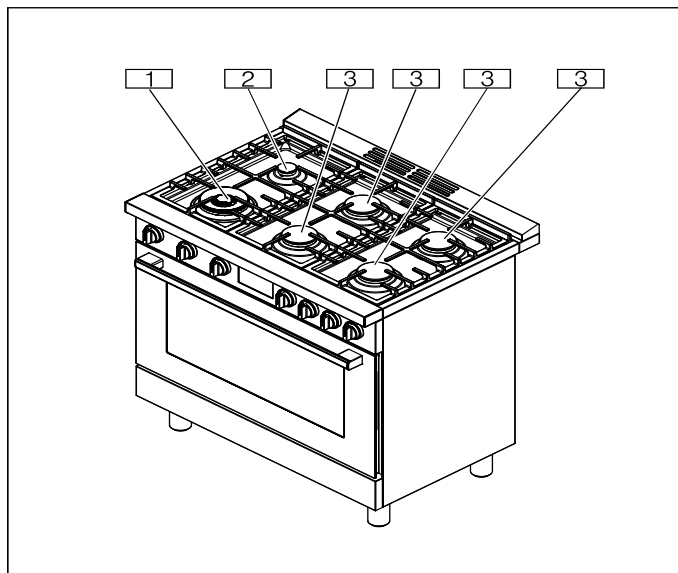
Pièces fournies avec l'ensemble des buses de gaz au propane :

- 1x numéro de buse 117
- 1x numéro de buses 48
- 4x numéro de buses 94
- 2x numéro de buses 65
- 1x numéro de buses 120
- 1x numéro de buses 98
- 1x numéro de buses 110
- 1x étiquette adhésive

30 po



36 po



Non. Désignation

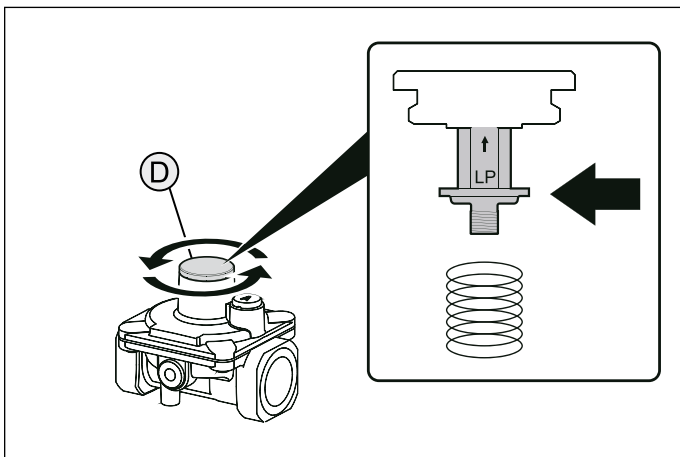
1	Brûleur à double flamme (18,000 BTU/ 5.3 kW) Buses GPL : 117 (externes) et 48 (internes)
2	Petit brûleur (5,000 BTU/ 1.5 kW) Buse GPL : 65
3	Grand brûleur (10,000 BTU/ 2.9 kW) Buse GPL : 94
	Brûleur de four (17,000 BTU/ 5.0 kW) Buse GPL : 120
	Gril de 30 po (11,500 BTU/ 3.4 kW) Buse GPL : 98
	Gril de 36 po (14,000 BTU/ 4.1 kW) Buse GPL : 110

Orifices

Type de gaz	Pression en W.C.P.	Type de brûleur	Nombre de buses	Dérivation	Puissance Min	Puissance max
Gaz naturel	5 po	Brûleur à flamme double externe	180 (S4)	Écart	1000 BTU (0.3 kW)	18000 BTU (5.3 kW)
		Brûleur à flamme double interne	75	Écart		
		Grand brûleur	145	Écart	2400 BTU (0.7 kW)	10000 BTU (2,9 kW)
		Petit brûleur	100	Écart	1000 BTU (0.3 kW)	5000 BTU (1.5 kW)
		Brûleur de four (en bas)	180	Écart	3500 BTU (1,0 kW)	17000 BTU (5.0 kW)
		Brûleur pour grill de four de 30 po	150	Écart	-	11500 BTU (3.4 kW)
		Brûleur pour grill de four de 36 po	165	Écart	-	14000 BTU (4.1 kW)
Gaz liquide	10 po	Brûleur à flamme double externe	117	55	1000 BTU (0.3 kW)	18000 BTU (5.3 kW)
		Brûleur à flamme double interne	48	30		
		Grand brûleur	94	45	2400 BTU (0.7 kW)	10000 BTU (2,9 kW)
		Petit brûleur	65	30	1000 BTU (0.3 kW)	5000 BTU (1.5 kW)
		Brûleur de four (en bas)	120	53	3500 BTU (1,0 kW)	17000 BTU (5.0 kW)
		Brûleur pour grill de four de 30 po	98	-	-	11500 BTU (3.4 kW)
		Brûleur pour grill de four de 36 po	110	-	-	14000 BTU (4.1 kW)

Réglage du régulateur de pression pour le gaz au propane

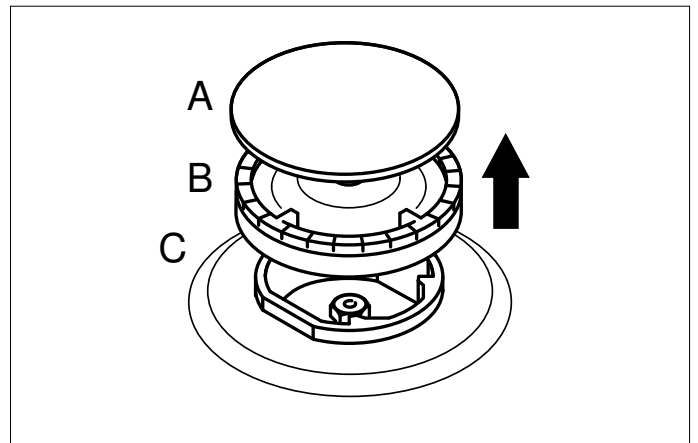
- Utilisez une pince à rainure et languette pour retirer le bouchon régulateur **D**.
- Dévissez la tige de régulation en plastique du bouchon régulateur **D**.
- Inversez la tige de régulation en plastique et vissez-la fermement.



- Remplacez le chapeau **D** et resserrez-le à l'aide d'une pince à rainures et languettes.
- Lors de la conversion au gaz au propane, la pression fournie au régulateur doit se situer entre 11 po et 13 po de la colonne d'eau.

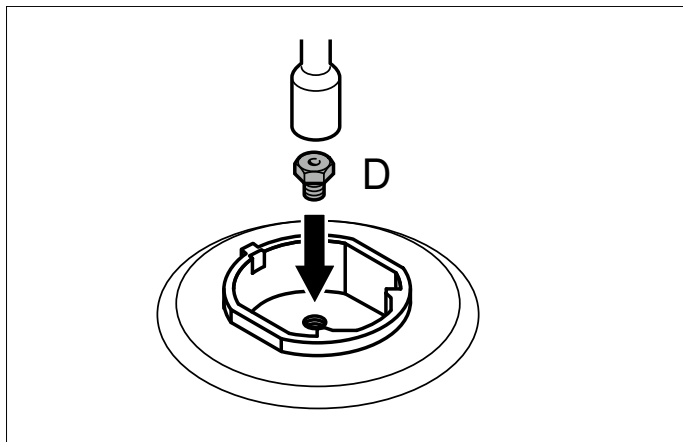
Remplacement des buses régulatrices principales

- Retirez les grilles.
- Retirez le capot du brûleur **A** et la coupelle du brûleur **B** du brûleur **C**.

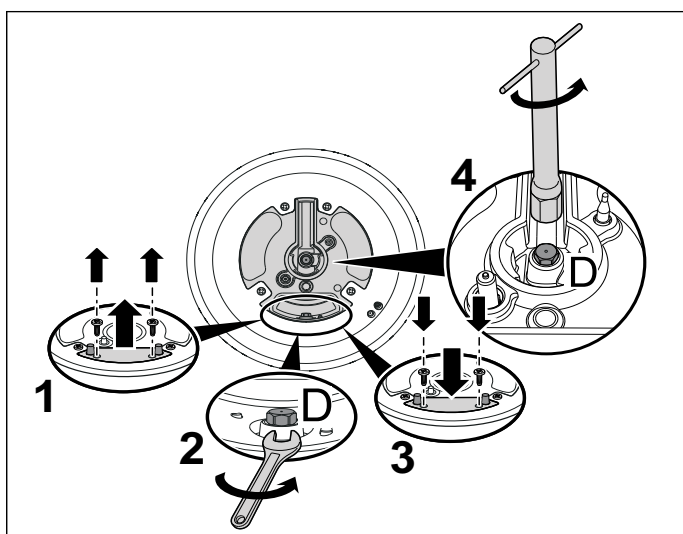


3. Enlevez la buse **D** et remplacez-la par une buse adaptée au nouveau type de gaz.

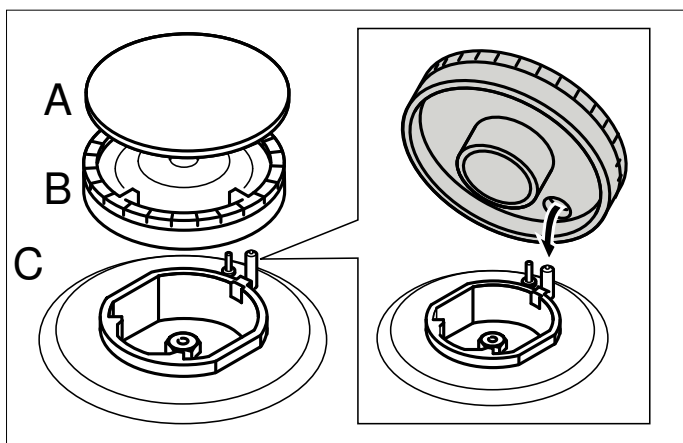
Petit brûleur/grand brûleur



Brûleur à flamme double



4. Placez la coupelle du brûleur **B** sur le brûleur **C** et placez le capot du brûleur **A** sur la coupelle **B** du brûleur.



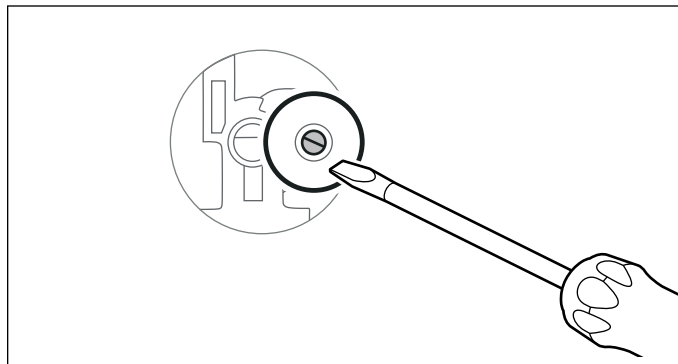
5. Remontez les grilles.

Réglage du débit minimum de gaz

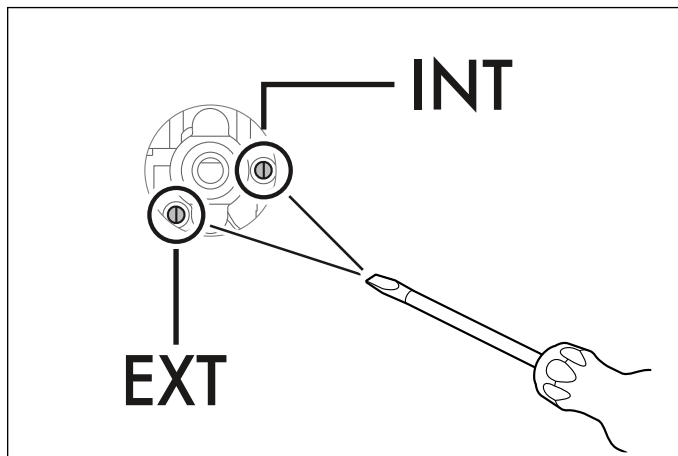
1. Retirer le bouton de commande et anneau de bouton.
2. Tournez doucement la vis de blocage intérieure dans le sens horaire jusqu'à ce qu'elle arrive au bout.

Remarque : En cas de conversion du gaz propane en gaz naturel, tournez toutes les buses de dérivation de 1/2 tour.

Petit brûleur/grand brûleur



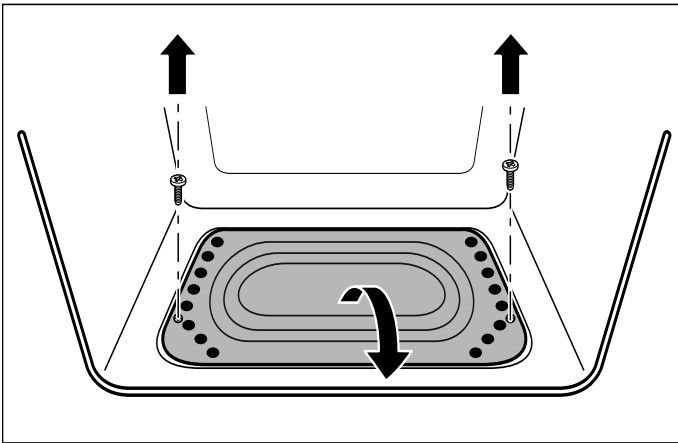
Brûleur à flamme double :



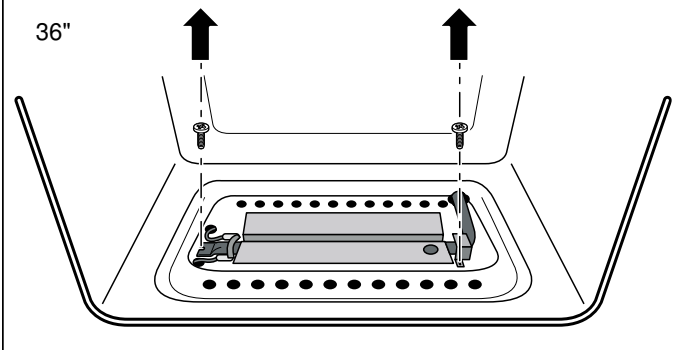
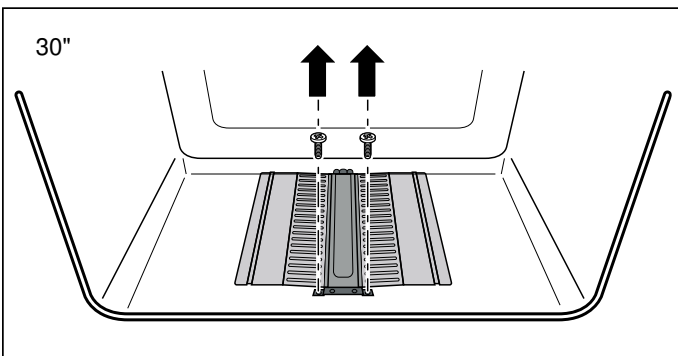
3. Replacez les boutons de contrôle.
4. Allumez chaque brûleur individuellement et vérifiez si la flamme est stable en réglage bas.
5. Si nécessaire, desserrez la vis de réglage pour augmenter le débit de gaz.
6. Veillez à ce que la flamme ne s'éteigne pas lorsque le débit de gaz change rapidement entre maximum et minimum, et vice versa. Le réglage optimal est atteint lorsque la hauteur de la petite flamme est d'environ 1/8 po (3 à 4 mm).
7. Remettez le bouton de contrôle et anneau de bouton pour le brûleur à gaz.
8. Répétez les étapes 2 à 8 jusqu'à ce que tous les brûleurs à gaz soient réglés.
9. Branchez l'appareil à l'alimentation électrique.

Remplacement de la buse du brûleur du four

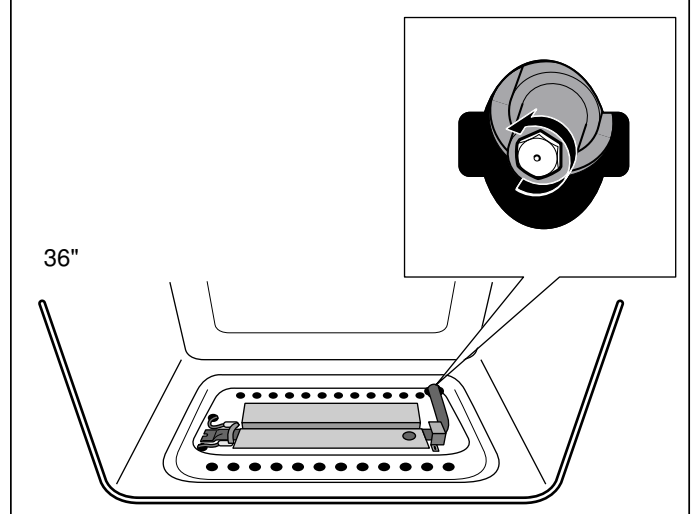
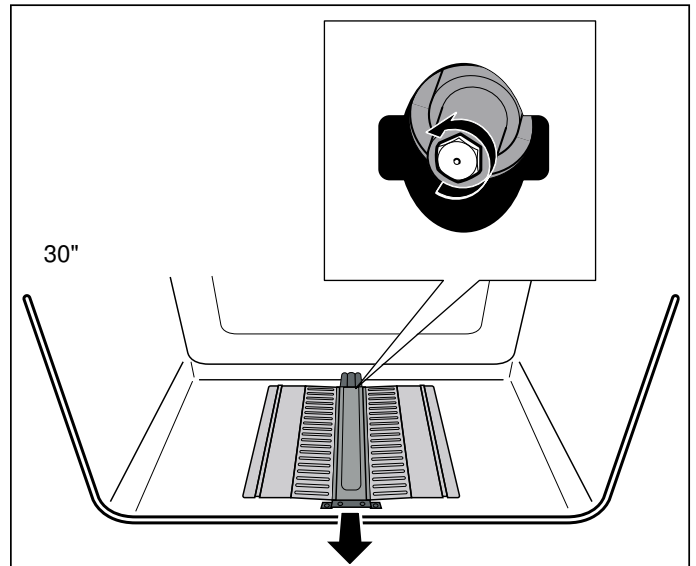
1. Ouvrez la porte de l'appareil électroménager.
2. Retirez les vis de la chambre de cuisson du four, soulevez légèrement l'avant et tirez-la ensuite vers vous.



3. Retirez les vis du brûleur de cuisson et tirez le sous-ensemble de gril vers l'avant pour le sortir de la connexion de gaz.



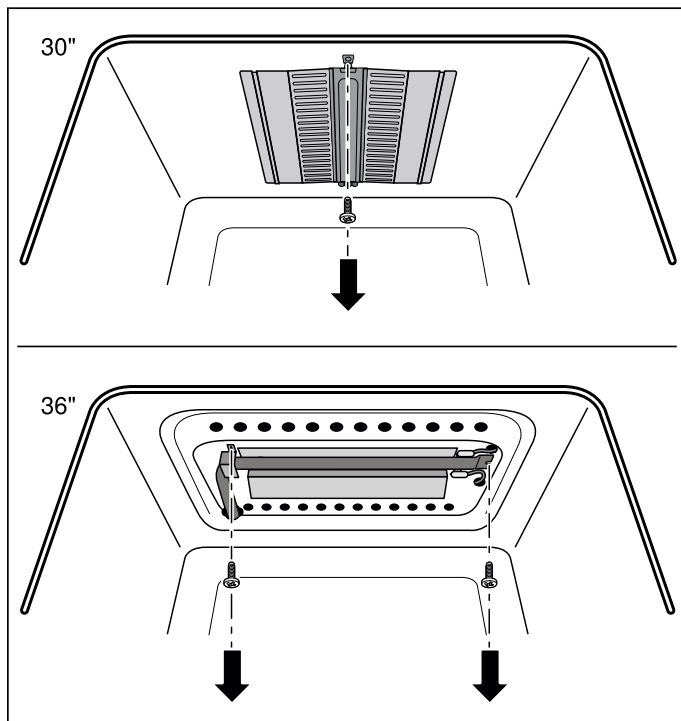
4. Dévissez la buse du brûleur de cuisson et remplacez-la par la buse GPL numéro 120.



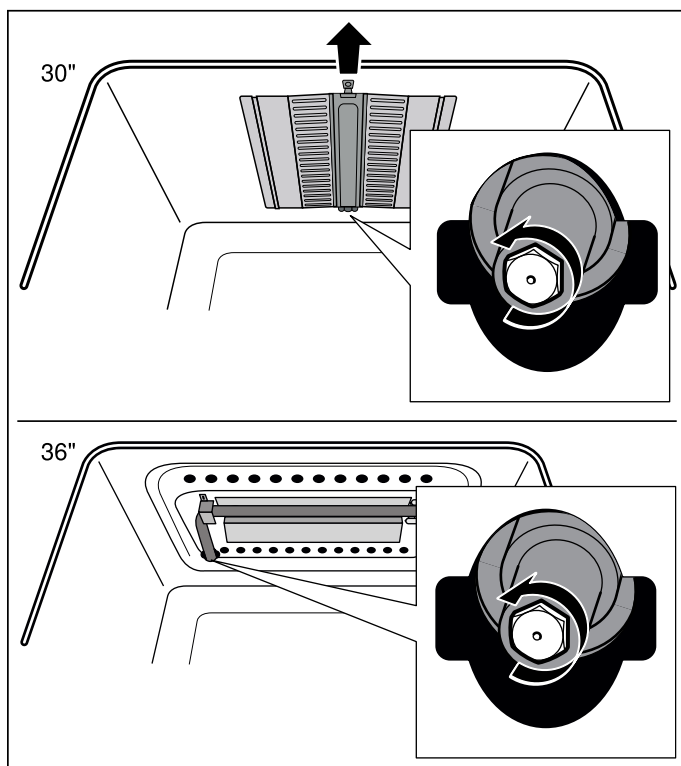
5. Remettez le brûleur de cuisson en place et vissez-le bien.
6. Remettez le couvercle de la chambre de cuisson en place et vissez-le bien.
7. Remplissez l'étiquette de conversion LP (fournie) et collez-la sur l'appareil.

Remplacement de la buse du brûleur de grill

1. Ouvrez la porte de l'appareil électroménager.
2. Retirez les vis du sous-ensemble du brûleur de grill et tirez le sous-ensemble de grill vers l'avant pour le sortir de la connexion de gaz. Sur le mur du fond, le brûleur est toujours connecté à l'alimentation en gaz et à l'allumage électrique.



3. Placez soigneusement le grill au fond de la cavité du four.
4. Dévissez la buse du brûleur de grill et remplacez-la par la buse GPL numéro 110.

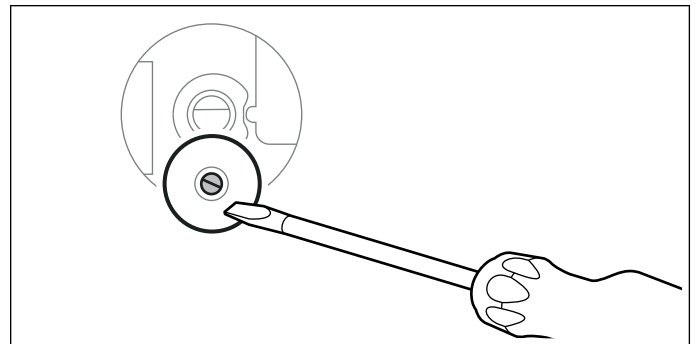


5. Remettez le brûleur de grill et le sous-ensemble brûleur de grill en place et vissez-les.
6. Remplissez l'étiquette de conversion LP (fournie) et collez-la sur l'appareil.

Réglage du débit minimum de gaz

1. Ouvrez la porte de l'appareil électroménager.
2. Appuyez et maintenez le bouton de commande du four et tournez-le en position maximale. Le brûleur à gaz s'allume.
3. Gardez le bouton de contrôle enfoncé pendant 15 secondes.
4. Fermez la porte de l'appareil électroménager.
5. Retirez le bouton de contrôle et anneau de bouton.
6. Resserrer la vis intérieure de réglage.

Remarque : En cas de conversion du gaz propane en gaz naturel, tournez toutes les buses de dérivation de 1/2 tour.



7. Remettez le bouton de contrôle.
8. Chauffez le four pendant 15 minutes.
9. Retirer le bouton de commande à nouveau.
10. Ajustez la vis intérieure de réglage jusqu'à ce qu'une flamme stable brûle correctement. Desserrer la vis de réglage pour augmenter le débit de gaz ou la serrer pour diminuer le débit de gaz. Le réglage est correct lorsque la hauteur de la petite flamme est d'env. 1/8 po (3 à 4 mm).
11. Remontez le bouton de commande et anneau de bouton.
12. Veillez à ce que la flamme ne s'éteigne pas lorsque le débit de gaz change rapidement entre maximum et minimum, et vice versa.

Vérification des fonctions après la conversion :

Les flammes ne doivent pas s'éteindre lors du passage rapide de la position haute à la position basse.

Remarque : Collez l'étiquette adhésive fournie avec la buse sur la plaque signalétique de l'appareil pour signaler le passage à un autre type de gaz.

Test pour fuites de gaz

Après la conversion, il est important de vérifier les fuites.
→ Page 41

Conversion au gaz naturel

Cet appareil est expédié de l'usine pour être utilisé avec du gaz naturel. Si l'appareil a déjà été converti au gaz propane, vous devez le reconverter au gaz naturel.

Vérifiez les orifices pour obtenir les bonnes buses et, si nécessaire, remplacez-les. Voir « Remplacement des buses régulatrices principales ».

Ajustement du débit minimum de gaz. Voir « Réglage du débit minimum de gaz ». Le réglage optimal est atteint

lorsque la hauteur de la petite flamme est d'environ 1/8 po (3 à 4 mm).

Réglez le régulateur de pression pour le gaz naturel. Tournez la plaque à ressort dans l'autre sens comme indiqué dans « Réglage du régulateur de pression pour le gaz au propane ».

Conservez les ports retirés de l'appareil électroménager pour un usage ultérieur.

Service après-vente

Contactez notre service à la clientèle si votre appareil doit être réparé. Notre service à la clientèle de (voir ci-dessous) se fera un plaisir de vous fournir des détails sur la façon d'obtenir un service réparation.

Veillez consulter l'annuaire du service après-vente ci-joint pour obtenir des informations sur les contacts dans tous les pays.

Faites confiance aux compétences du fabricant. Vous garantissez ainsi que la réparation sera effectuée par des techniciens de SAV formés qui disposent des pièces de rechange d'origine adaptées à votre appareil.

Questions ? N'hésitez pas à nous contacter. Nous sommes à votre entière disposition.

800-944-2904

www.bosch-home.ca/fr/

1901 Main Street, Suite 600
Irvine, CA 92614

Comment bénéficier du service de garantie

Pour obtenir un service sous garantie pour votre produit, contactez le département de service après-vente de Bosch au 1-800-944-2904 pour planifier une réparation.

Numéro de modèle (E) et numéro FD

Quand vous communiquez avec le service, veuillez avoir à portée de main le numéro de modèle (E) et le numéro FD de l'appareil électroménager.

Vous trouverez la plaque signalétique de votre appareil :

- sur le dessous du panneau de contrôle de projection.
- À l'arrière de l'appareil.

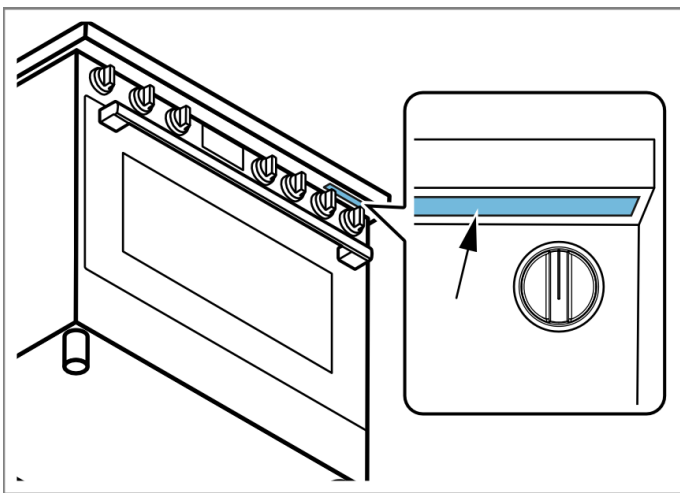


Schéma de câblage pour HGS8..5UC

⚠ WARNING

When servicing the controls, label all wires prior to disconnection. Wiring errors can cause improper and dangerous operation: Verify proper operation after servicing.

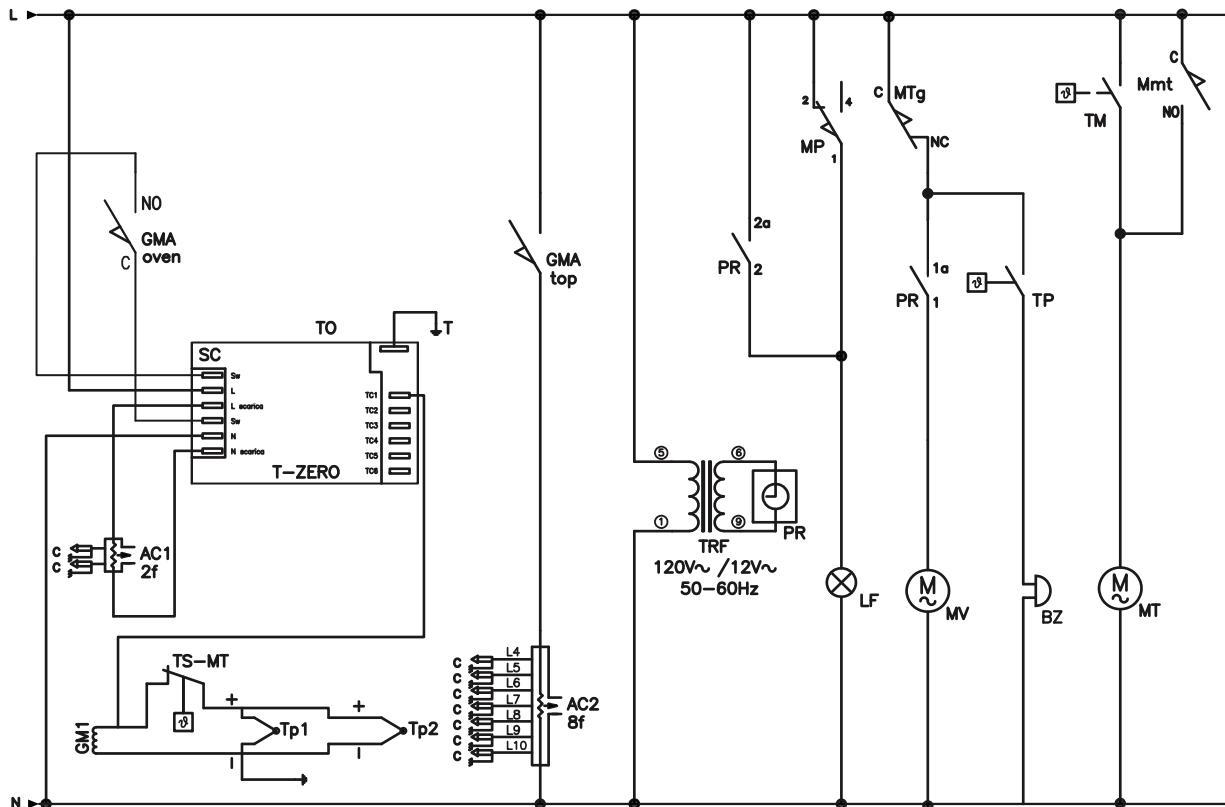
⚠ AVERTISSEMENT

Étiquetez les fils avant de déconnecter pour les contrôles de service. Une erreur dans le filage peut provoquer des opérations dangereuses et incorrectes. Vérifiez la conformité de l'opération après un entretien.

⚠ ADVERTENCIA

Marcar todos los cables antes de desconectar, al realizar el mantenimiento de los mandos. Los errores de conexión pueden causar operaciones inadecuadas y peligrosas. Comprobar el funcionamiento correcto después del mantenimiento.

TRF	Transformer Transformateur Transformador	SC	Electronic board Fiche electronique Tarjeta electronica	LF	Oven lamp Lampe four Lampara horno	MV	Cooking fan motor Ventilateur de cuisson Ventilador de coccion
TM	Cooling fan control thermostat Thermostat demarrage moteurs Termostato control ventilador	GMA	Spark igniter microswitch Micro interrupteur allumage Micro interruptor encendido	TP	Thermostat preheating Thermostat préchauffage Termostato precalentamiento		
MT	Cooling fan motor Ventilateur de refroidissement Ventilador de refrigeracion	TS-TM	Cooling fan-motor safety thermostat Thermostat de sécurité pour le ventilateur de refroidissement du moteur Termostato de seguridad motor del ventilador de refrigeración				
MTg	Microswitch stop cooking fan motor Micro interrupteur arrêter le moteur du ventilateur de cuisson Microinterruptor dejar de cocinar el motor del ventilador	AC	Spark igniter Allumeur Generador de chispas	TP	Thermocouple Thermocouple Termopar		
Mmt	Microswitch fan motor Micro ventilateur de refroidissement Micro Ventilador de refrigeracion	PR	Electronic programmer Programmateur électronique Programador electronico	N	Buzzer Avertisseur sonore Señal acústica		
GM	Magnet Aimant Imán	L	Phase Phase Fase	N	Neutral Neutre Neutro	C	Spark plungs Allumeur Bujía



L-N=120Vac 60Hz



9001485905

030412



BOSCH

Invented for life

1901 Main Street, Suite 600 • Irvine, CA 92614 • 800-944-2904
www.bosch-home.com • © 2020 BSH Home Appliances