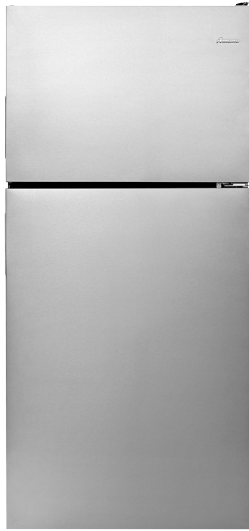




18 cu. ft. Top-Freezer Refrigerator

ART318FFD



Stainless Steel
ART318FFDS

Capacity

| | |
|-----------------------|------------|
| Total Capacity | 18 cu. ft. |
| Refrigerator Capacity | 13 cu. ft. |
| Freezer Capacity | 5 cu. ft. |

General Features & Properties

| |
|-------------------------------------|
| Gallon Door Storage Bins |
| Up-Front Temperature Control System |
| Glass Shelves |
| Reversible Door |
| 18 cu. ft. Capacity |

Electrical Details

| | |
|-------|----------|
| Amps | 15 or 20 |
| Volts | 115 |

Certifications

| | |
|---------------|-----|
| ADA Compliant | Yes |
|---------------|-----|

Technical Details

| | |
|---|--------------|
| Refrigerator Type | Top-Freezer |
| Number of Doors | 2 |
| Number of Interior Refrigerator Shelves | 3 |
| Number of Refrigerator Door Bins | 5 Fixed |
| Number of Interior Freezer Shelves | 1 |
| Number of Freezer Door Bins | 2 Fixed |
| Lighting Type | Incandescent |
| Ice Maker | Optional |
| Ice Maker Location | Freezer |
| Dispenser Type | N/A |

Dimensions

| | |
|--------------------------------|---|
| Product Dimensions (H x W x D) | 65-7/8" x 29-3/4" x 31-3/8" |
| Depth with Door Open 90° | 59-3/4" |
| Cutout Dimensions | Allow extra 1/2" on sides and top Allow extra 1" on rear |

Reference Material

[Dimension Guide](#)

[Use & Care Guide](#)

[Energy Guide](#)

[Warranty](#)

Also available in:

- White **ART318FFDW**
- Black **ART318FFDB**

Key Features & Benefits

Humidity-Controlled Garden Fresh™ Crispers

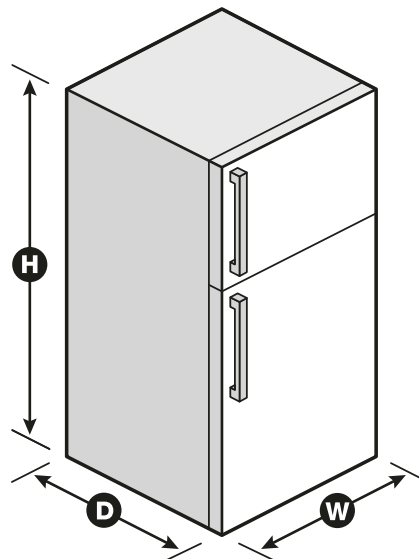
Keep fruits and veggies right where you can see them.

Flip-Up Storage

Fit tall containers with this adjustable flip-up shelf.

Dairy Bin

Easily access items like butter, cream cheese and yogurt.



NOTE: Dimensions are for planning purposes only. For complete details, see Installation Instructions packed with product. Specifications subject to change without notice.

®/™ © 2020. All rights reserved. Printed in the U.S.A. D200052XXC. ART318FFDSPECSHEETV01.