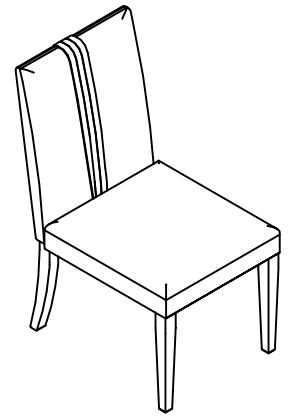


### Warning :

- Be sure to check all packing material carefully for small parts, which may have come loose inside the carton during shipment.
- To prevent possible scratches and damage, this furniture must be assembled on a soft surface such as a blanket or carpet.

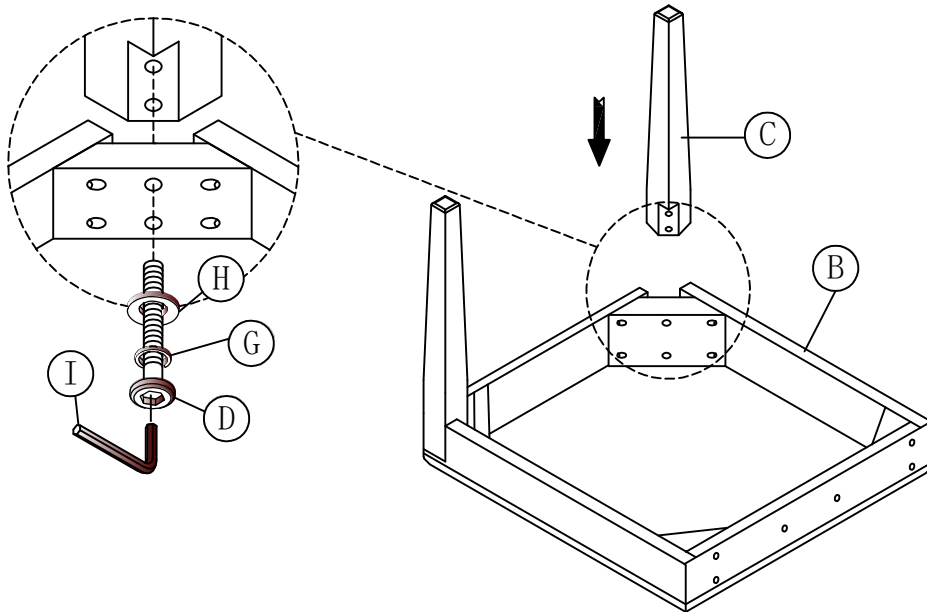


91056  
Uph Side Chair

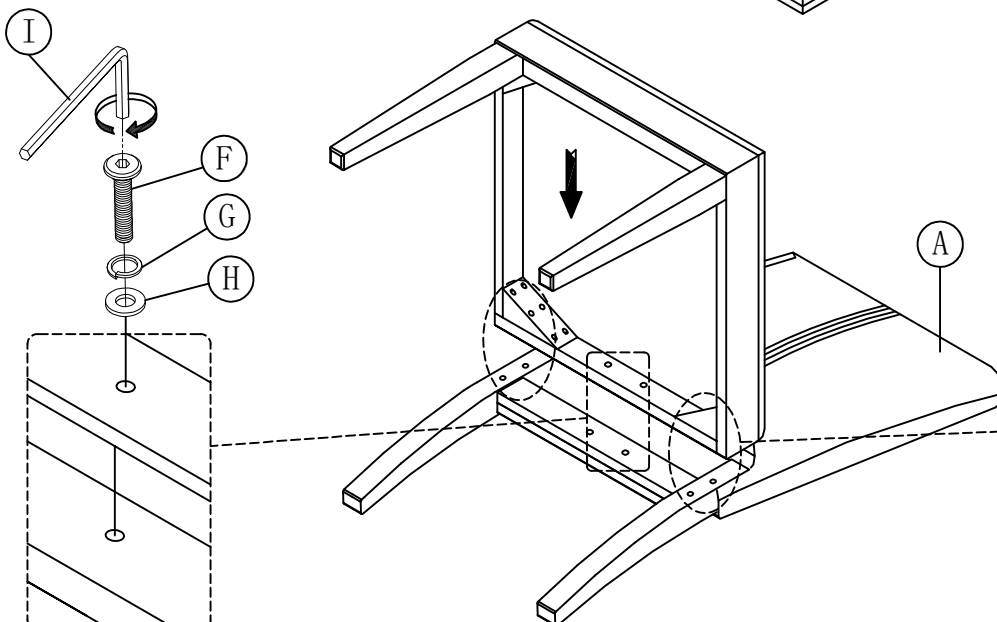
### Components and Hardware List

<p>Chair Back 1 pc.</p>	<p>Seat Cushion 1 pc.</p>	<p>Front Leg 2 pcs.</p>	<p>Allen Head Bolt Ø5/16"-18 x 2-1/4" 4 pcs.</p>	<p>Allen Head Bolt Ø5/16"-18 x 3" 4 pcs.</p>
<p>Allen Head Bolt Ø5/16"-18 x 1-3/4" 2 pcs.</p>	<p>Spring Washer Ø5-16"x Ø13 10 pcs.</p>	<p>Flat Washer Ø5/16"x Ø19 10 pcs.</p>	<p>Allen Key M4 x 2-1/2" 1 pc.</p>	

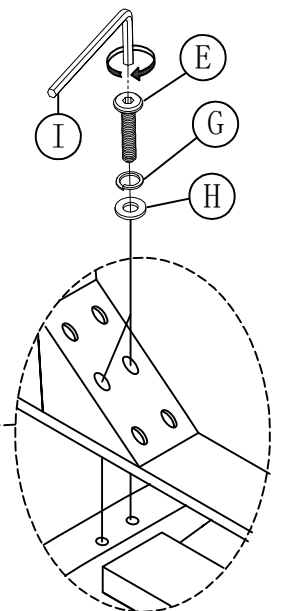
### STEP 1



### STEP 2



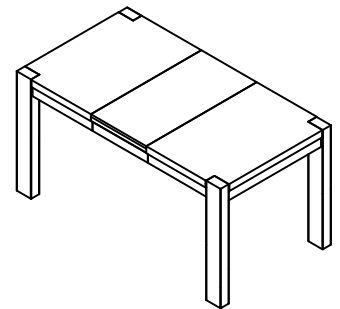
### STEP 3



### Warning :

- Be sure to check all packing material carefully for small parts, which may have come loose inside the carton during shipment.
- To prevent possible scratches and damage, this furniture **MUST BE ASSEMBLED BY TWO PEOPLE** on a soft surface such as a blanket or carpet.

**Important Use Information:** We recommend using coasters, placemats and trivets when placing hot or cold containers on this item. It is also recommended to quickly cleanup any spills to minimize exposure to moisture. Doing so will prolong the life and look of the item for many years.

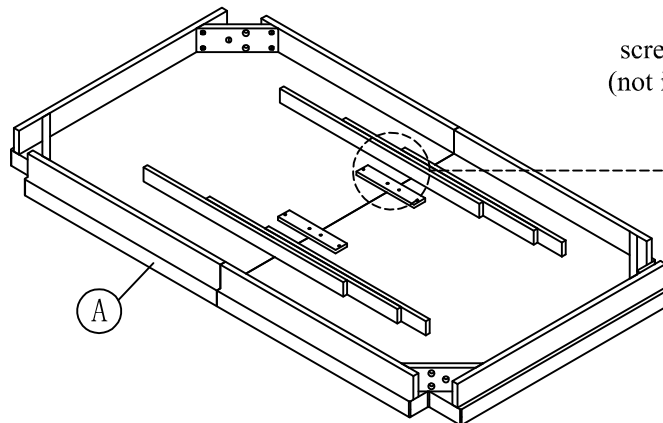


91050  
Rectangle Dining Table

### Components and Hardware List

Table Top	Table Leaf	Right Leg	Left Leg	Allen Head Bolt Ø5/16" - 18 x 2"	Spring Washer Ø5/16" x Ø13	Flat Washer Ø5/16" x Ø19	Allen Key M4 x 2-1/2"
1 pc.	1 pc.	2 pcs.	2 pcs.	12 pcs.	12 pcs.	12 pcs.	1 pc.

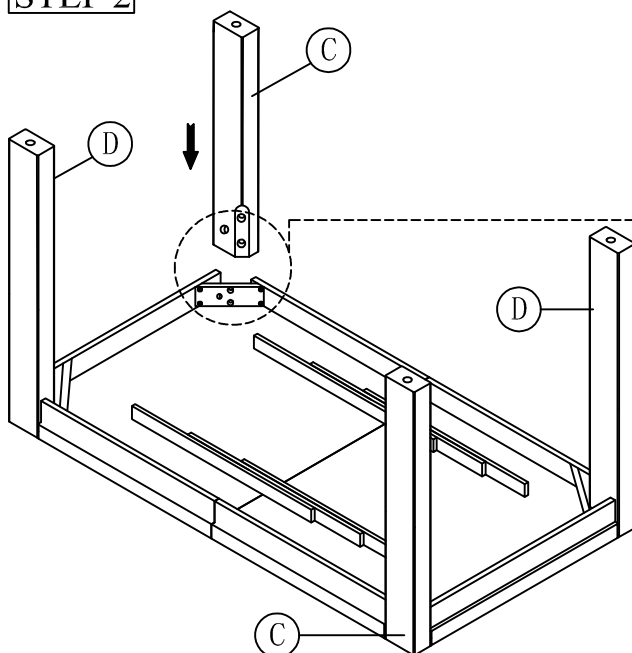
#### STEP 1



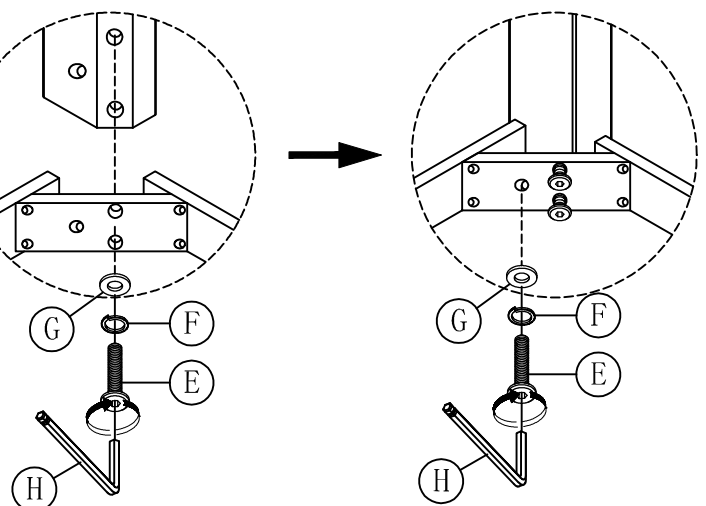
screwdriver  
(not included)

Screw Driver  
not included

#### STEP 2



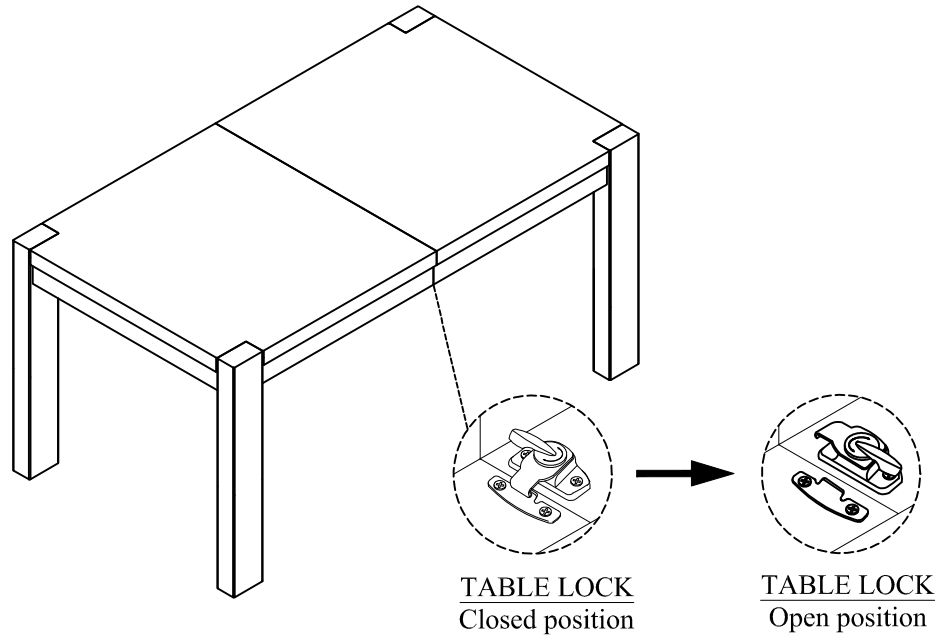
Remove shipping brace by removing  
screws as shown and discard.



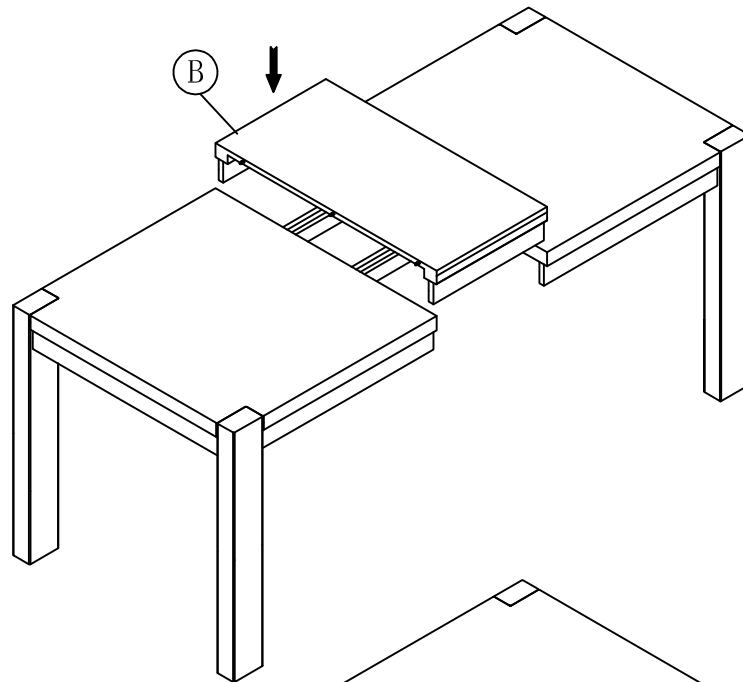
Do not fully tighten all bolts

Using the Allen Key to tighten side  
bolts, then tighten center bolts

**STEP 3**



**STEP 4**



**STEP 5**

