

TOTES FULL/QUEEN/E.KING BED ASSEMBLY INSTRUCTIONS



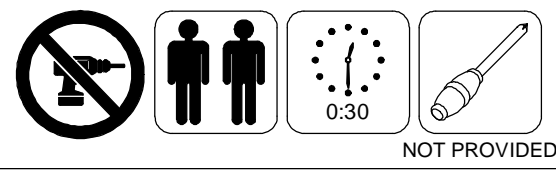
BOX 1 - HEADBOARD			
PART NO.	IMAGE	DESCRIPTION	QUANTITY
A		HEADBOARD	1

BOX 2 - FOOTBOARD-SLAT ROLL			
PART NO.	IMAGE	DESCRIPTION	QUANTITY
B		FOOTBOARD	1
C		SLAT ROLL	1

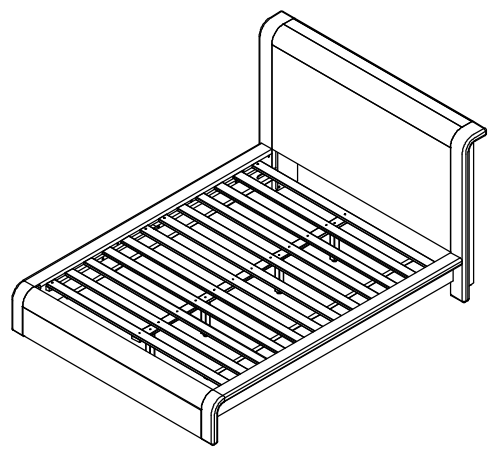
HARDWARE KIT PACKED IN BOX 2			
1		ALLEN BOLT (8X60mm)	4
2		HALF MOON WASHER (8X15mm)	2
3		PHILIPS HEAD BOLT (8X20mm)	4
4		SPRING WASHER (M8)	8
5		FLAT WASHER (M8)	6
6		WOOD SCREW (8X30mm)	9
7		ALLEN BOLT (6X40mm)	11
8		ALLEN KEY	1

YOUR BOX MAY CONTAIN EXTRA HARDWARE

BOX 3 - SIDERAILS			
PART NO.	IMAGE	DESCRIPTION	QUANTITY
D		LEFT SIDERAIL	1
E		RIGHT SIDERAIL	1
F		CENTER SLAT	1
G		LEG SUPPORT	4

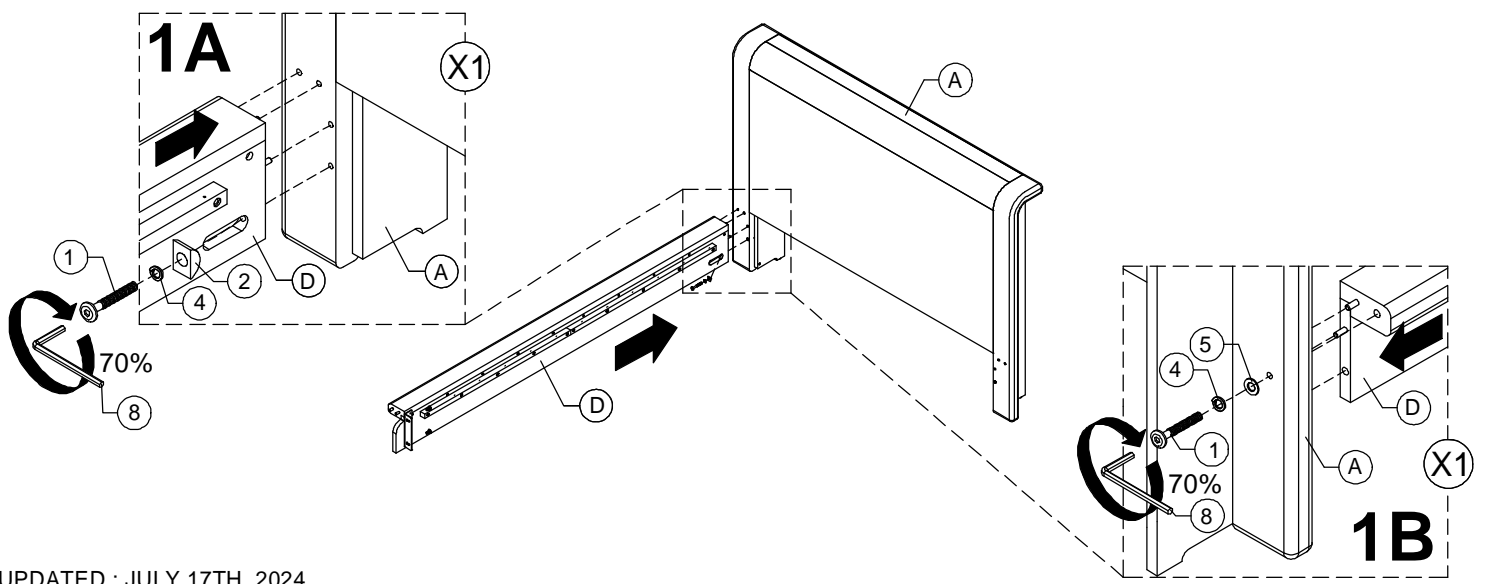


FULLY ASSEMBLED



ASSEMBLE ON A SOFT SURFACE

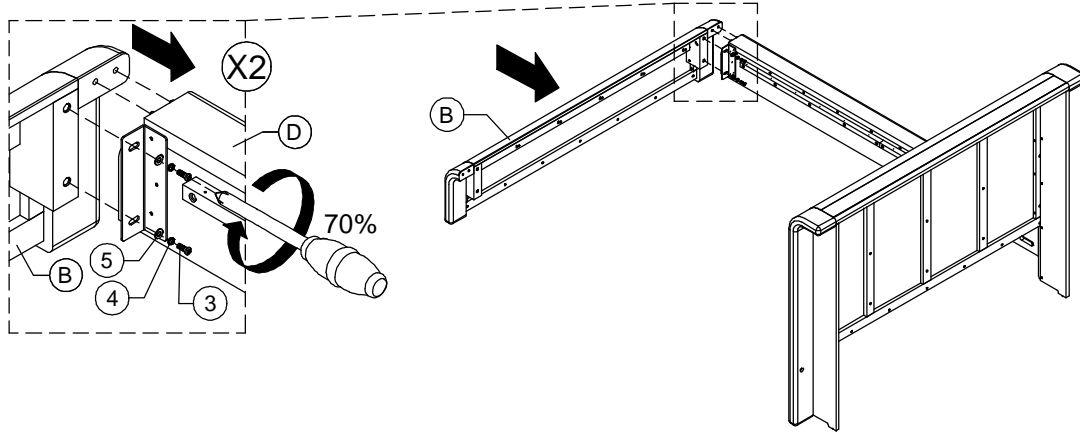
STEP 1 :



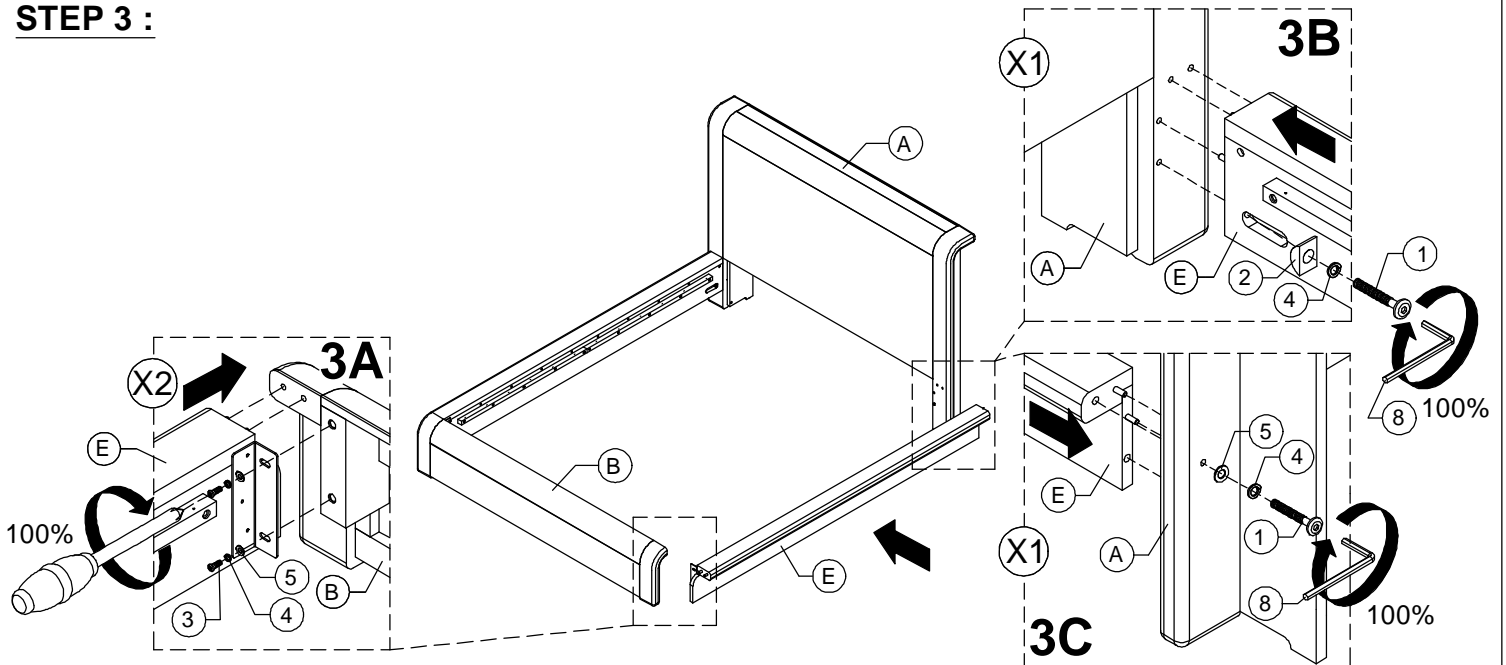
TOTES FULL/QUEEN/E.KING BED ASSEMBLY INSTRUCTIONS



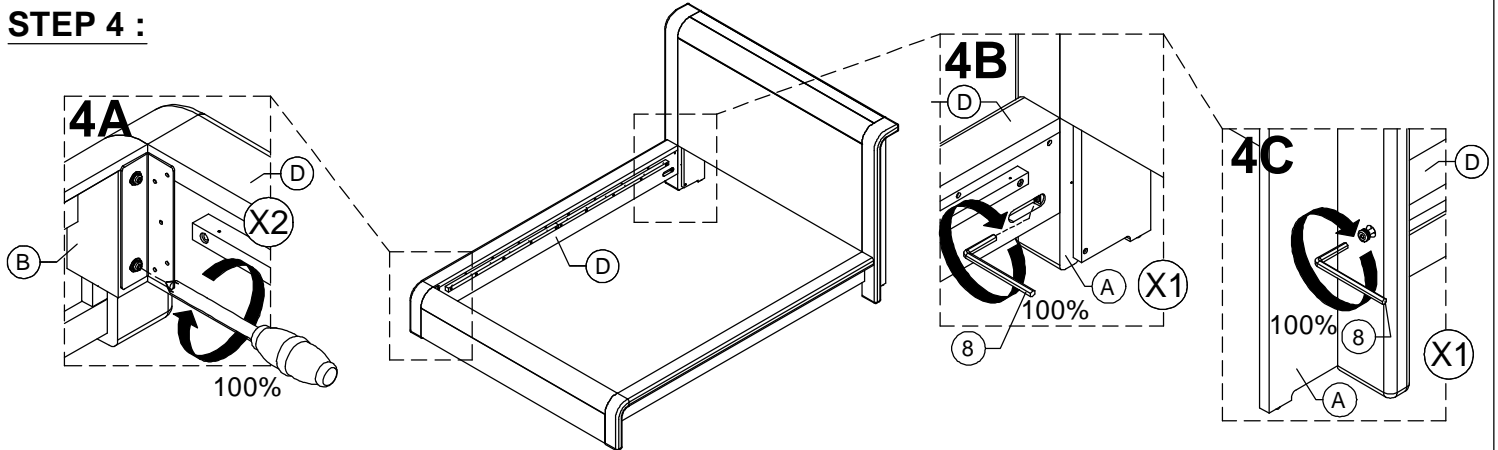
STEP 2 :



STEP 3 :



STEP 4 :



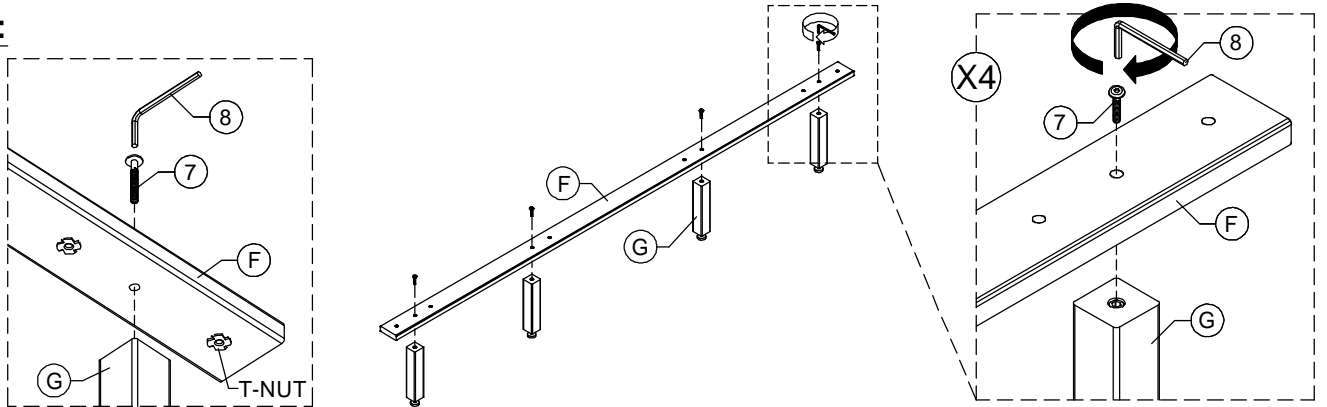
STOP

- IF USING BED FRAME WITH ADJUSTABLE MATTRESS BASE, SKIP TO APPENDIX A: ADJUSTABLE MATTRESS BASE ASSEMBLY SUPPLEMENT.
- IF USING BED FRAME WITH STANDARD BOX SPRING OR FOUNDATION CONTINUE TO STEP 5.

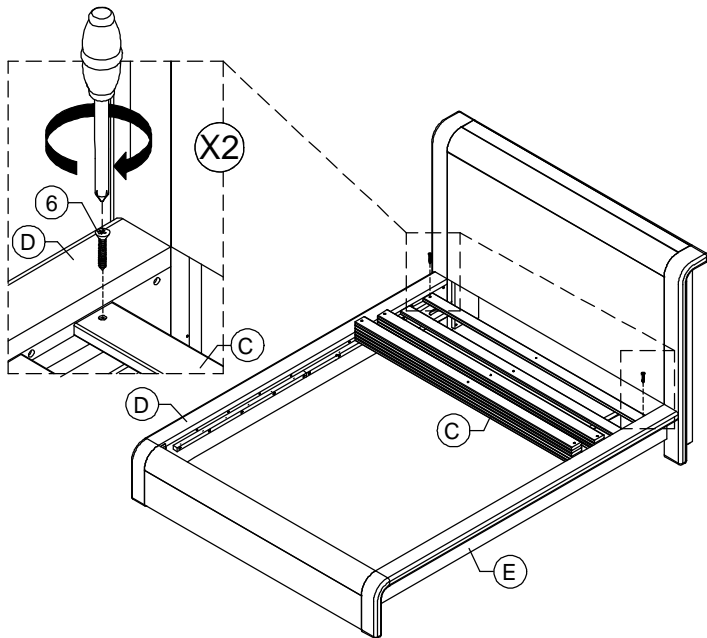
TOTES FULL/QUEEN/E.KING BED ASSEMBLY INSTRUCTIONS



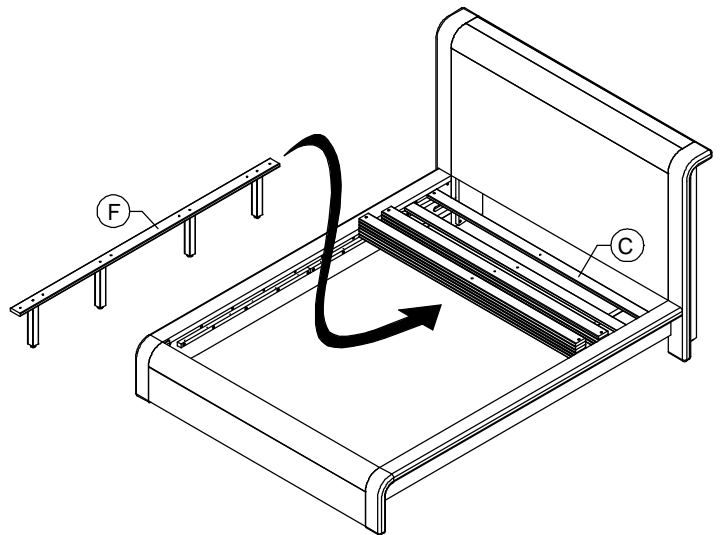
STEP 5 :



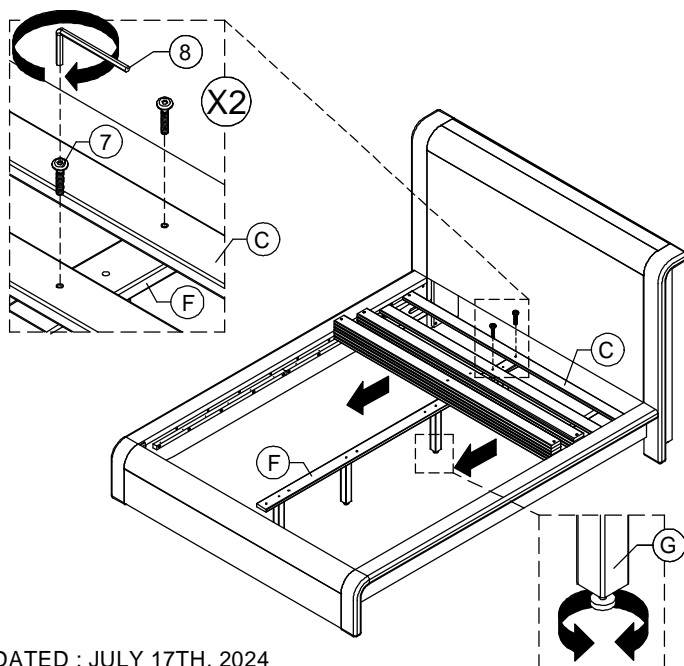
STEP 6 :



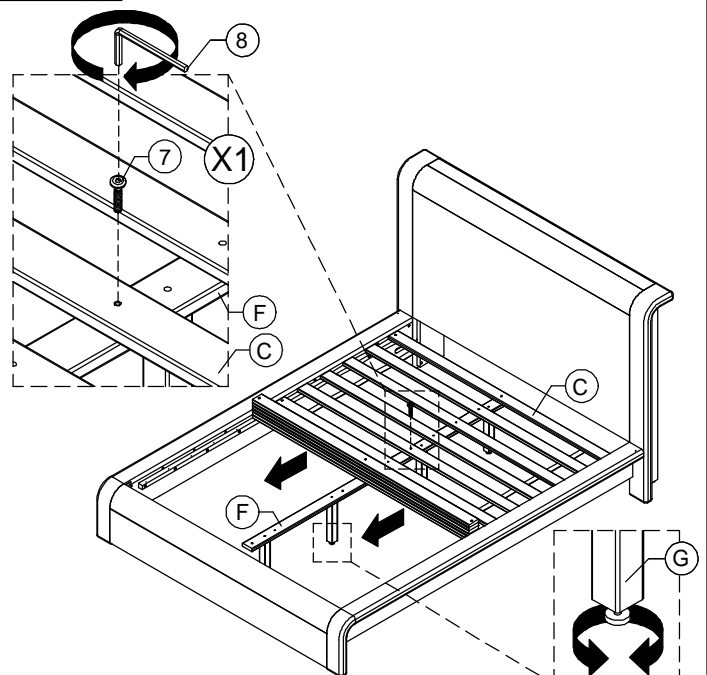
STEP 7 :



STEP 8 :



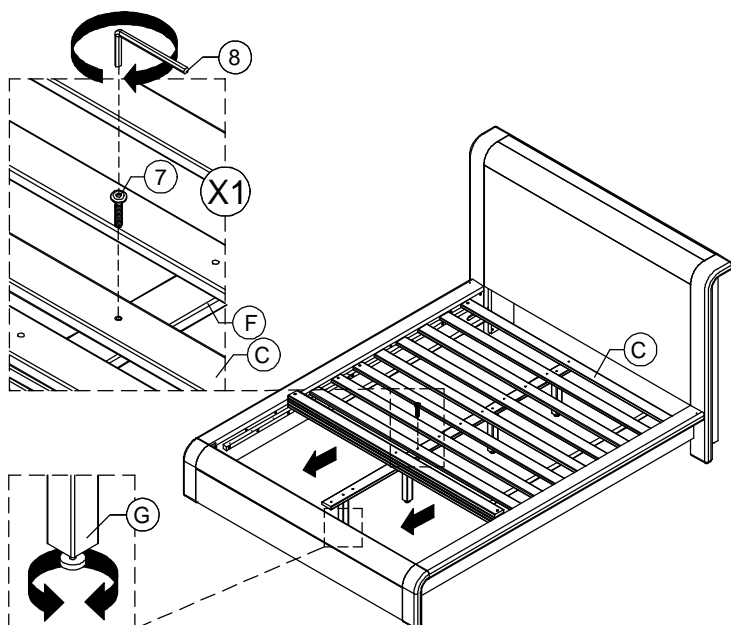
STEP 9 :



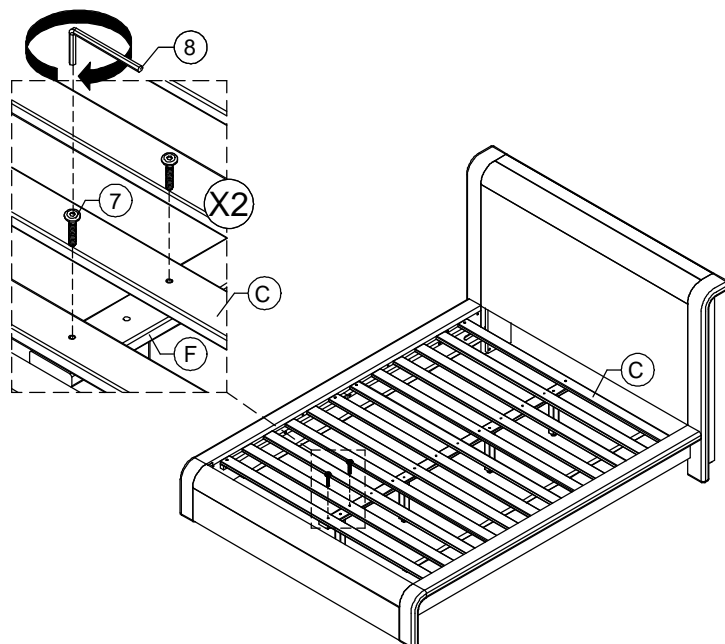
TOTES FULL/QUEEN/E.KING BED ASSEMBLY INSTRUCTIONS



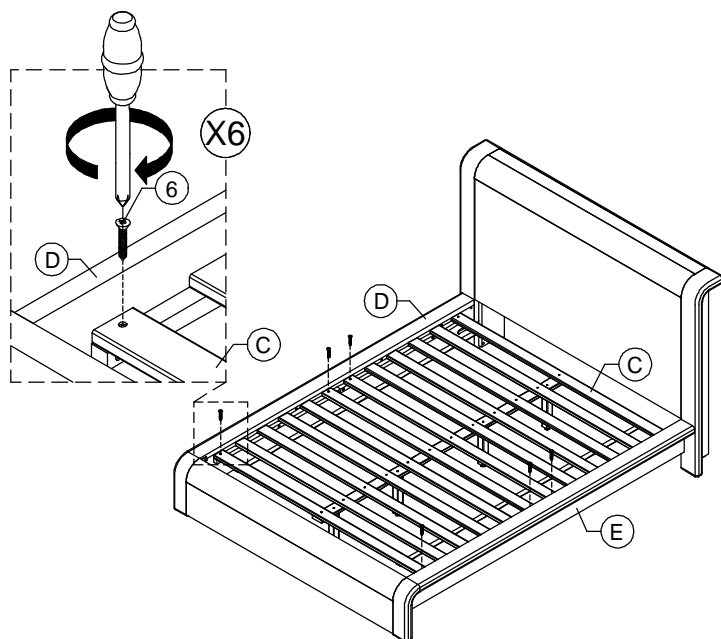
STEP 10 :



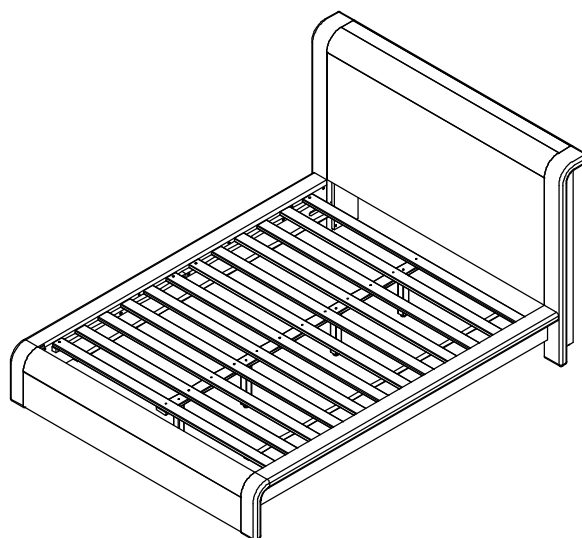
STEP 11 :



STEP 12 :



STEP 13 :



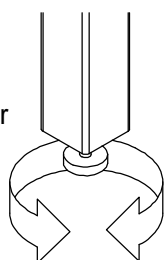
ASSEMBLY COMPLETE

INSTRUCTIONS FOR ADJUSTING LEVELER :

Position the bed in your space and locate the leveler under each leg support (G).

Turn the leveler counter-clockwise to extend the leveler and clockwise to retract it.

Adjust each leveler until each leg support is applying equal, upward pressure on the center slat.



MAINTENANCE INSTRUCTIONS :

- Periodically check all fittings and tighten if necessary, as they can loosen over time.
- Always remove box spring and mattress before moving the bed.
- Lift the bed when moving it. Dragging the bed can damage the center support.
- Readjust levelers after moving the bed.

TOTES FULL/QUEEN/E.KING BED

APPENDIX A: ADJUSTABLE MATTRESS BASE ASSEMBLY SUPPLEMENT



AN ADJUSTABLE MATTRESS BASE IS A FREESTANDING MATTRESS SUPPORT THAT SITS WITHIN THE PERIMETER OF THE BED FRAME.

IF USING THIS BED FRAME WITH A STANDARD BOX SPRING OR FOUNDATION THESE INSTRUCTIONS DO NOT APPLY.

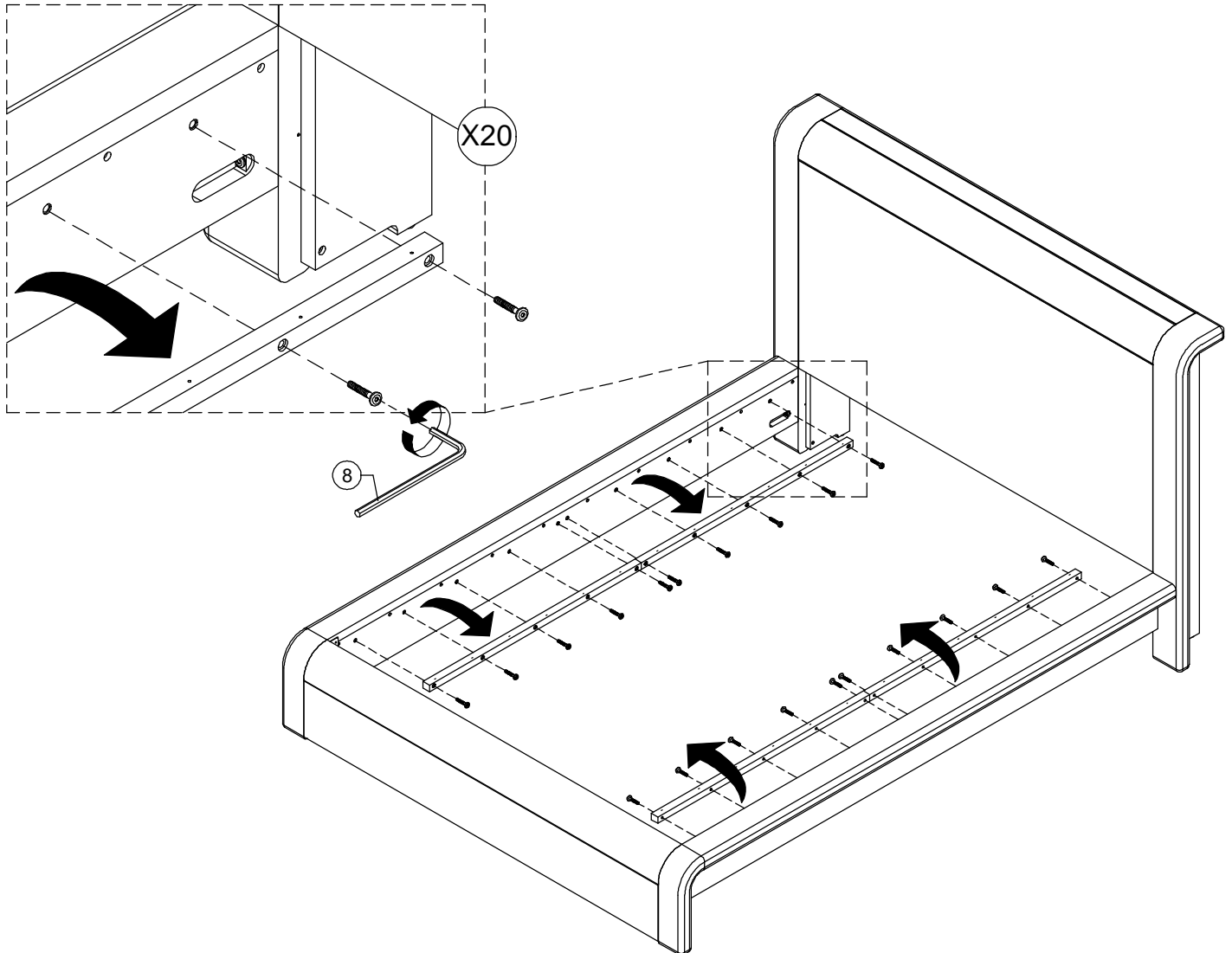
PRE-ASSEMBLED SIDE RAIL CLEATS OBSTRUCT ADJUSTABLE BASE INSTALLATION AND OPERATION. FOLLOW THESE INSTRUCTIONS TO REMOVE THEM.

THE FOLLOWING PARTS ARE NOT REQUIRED FOR ADJUSTABLE MATTRESS BASE INSTALLATION:

C. SLAT ROLL	1SET	6. WOOD SCREW (8X30mm)	9PCS
F. CENTER SLAT	1PC	7. ALLEN BOLT (6X40mm)	11PCS
G. LEG SUPPORT	4PCS		

STEP 1 :

USE ALLEN KEY (8) TO UNSCREW ALLEN BOLTS AND REMOVE PRE-ASSEMBLED SIDE RAIL CLEATS.



NOTE: YOU MAY WISH TO RETAIN UNUSED PARTS IF IN THE FUTURE YOU INTEND TO USE THE BED FRAME WITH A STANDARD BOX SPRING OR FOUNDATION.

TOTES C.KING BED ASSEMBLY INSTRUCTIONS



BOX 1 - HEADBOARD

PART NO.	IMAGE	DESCRIPTION	QUANTITY
A		HEADBOARD	1

BOX 2 - FOOTBOARD-SLAT ROLL

PART NO.	IMAGE	DESCRIPTION	QUANTITY
B		FOOTBOARD	1
C		SLAT ROLL	1

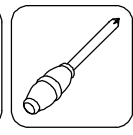
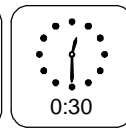
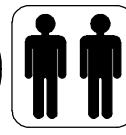
HARDWARE KIT PACKED IN BOX 2

1		ALLEN BOLT (8X60mm)	4
2		HALF MOON WASHER (8X15mm)	2
3		PHILIPS HEAD BOLT (8X20mm)	4
4		SPRING WASHER (M8)	8
5		FLAT WASHER (M8)	6
6		WOOD SCREW (8X30mm)	9
7		ALLEN BOLT (6X40mm)	11
8		ALLEN KEY	1

YOUR BOX MAY CONTAIN EXTRA HARDWARE

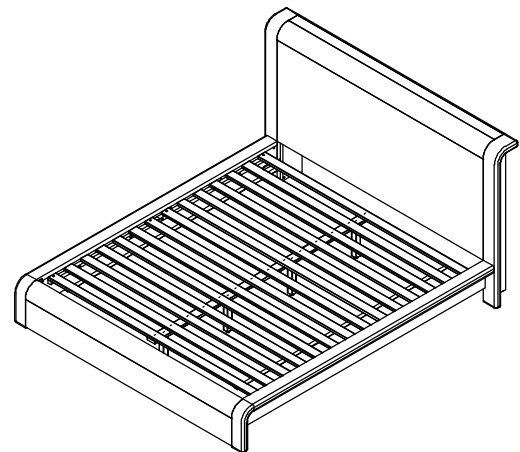
BOX 3 - SIDERAILS

PART NO.	IMAGE	DESCRIPTION	QUANTITY
D		LEFT SIDERAIL	1
E		RIGHT SIDERAIL	1
F		CENTER SLAT	1
G		LEG SUPPORT	4



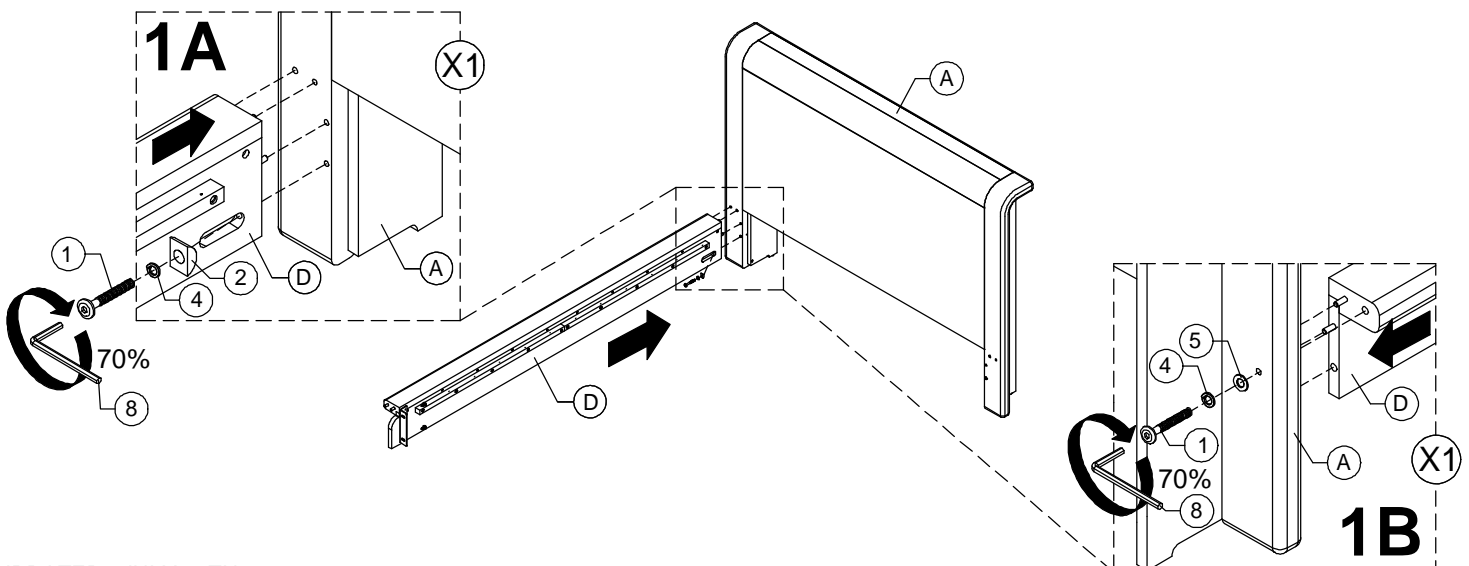
NOT PROVIDED

FULLY ASSEMBLED



ASSEMBLE ON A SOFT SURFACE

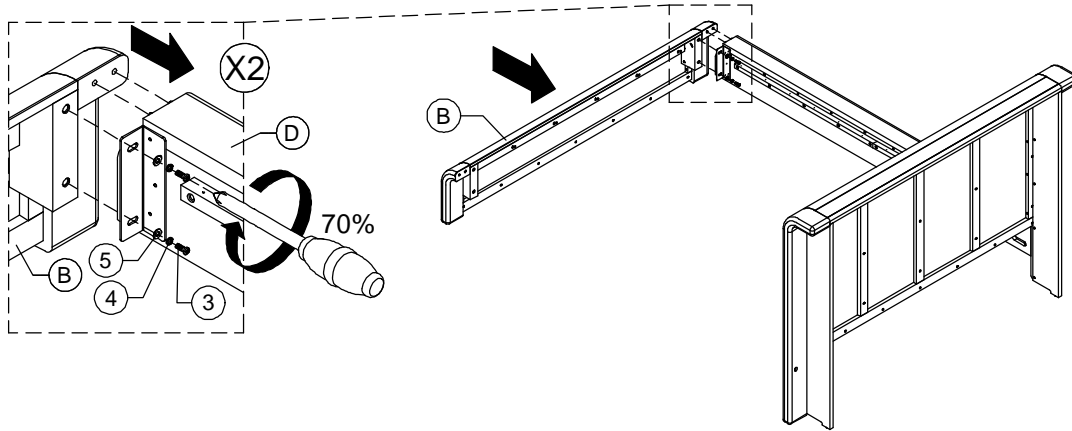
STEP 1 :



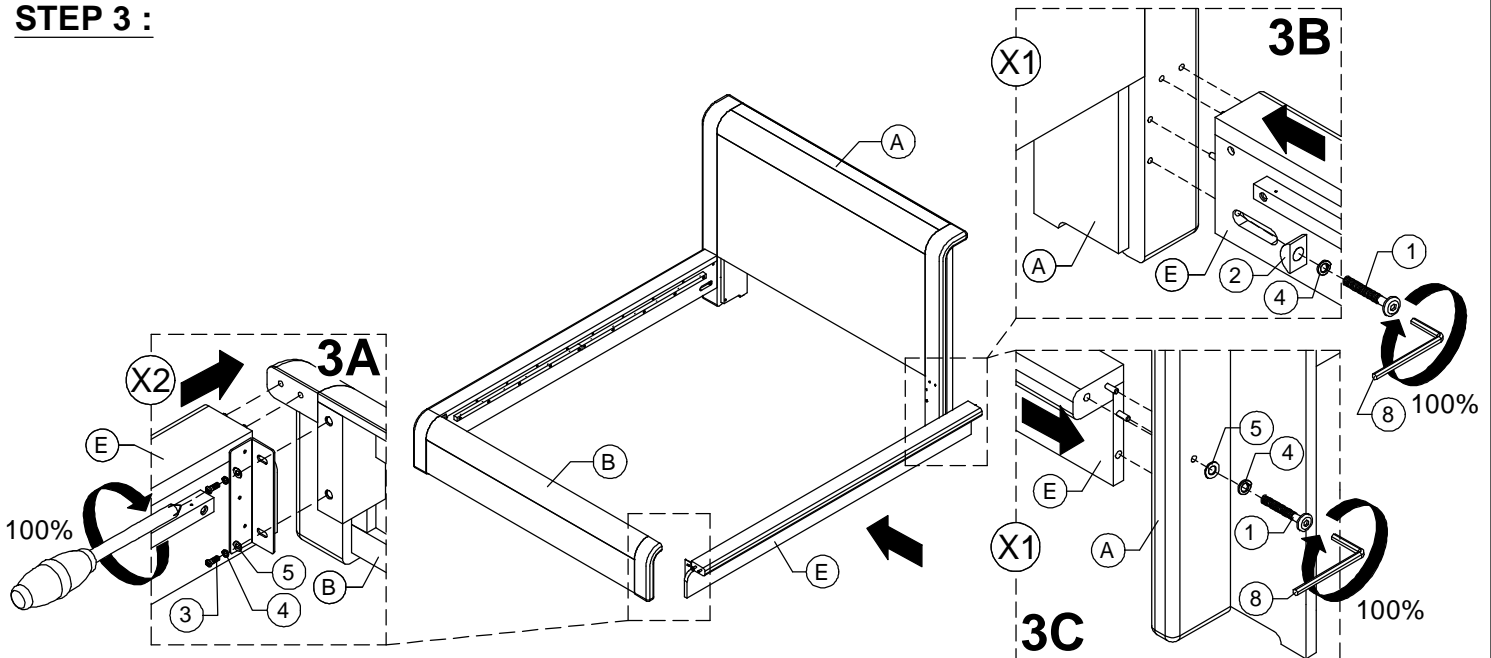
TOTES C.KING BED ASSEMBLY INSTRUCTIONS



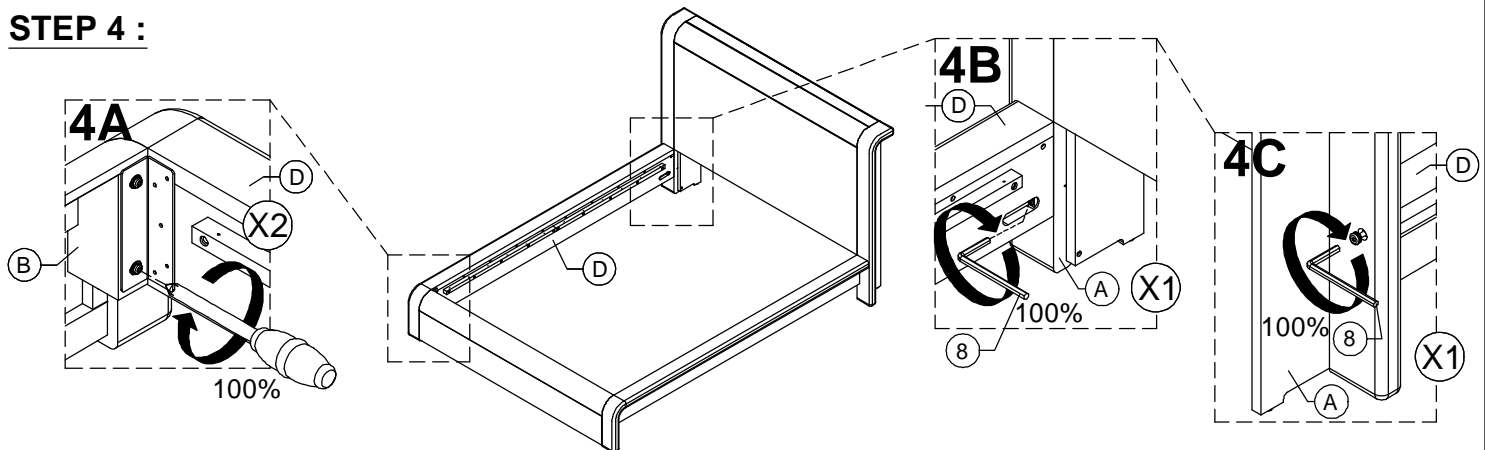
STEP 2 :



STEP 3 :



STEP 4 :



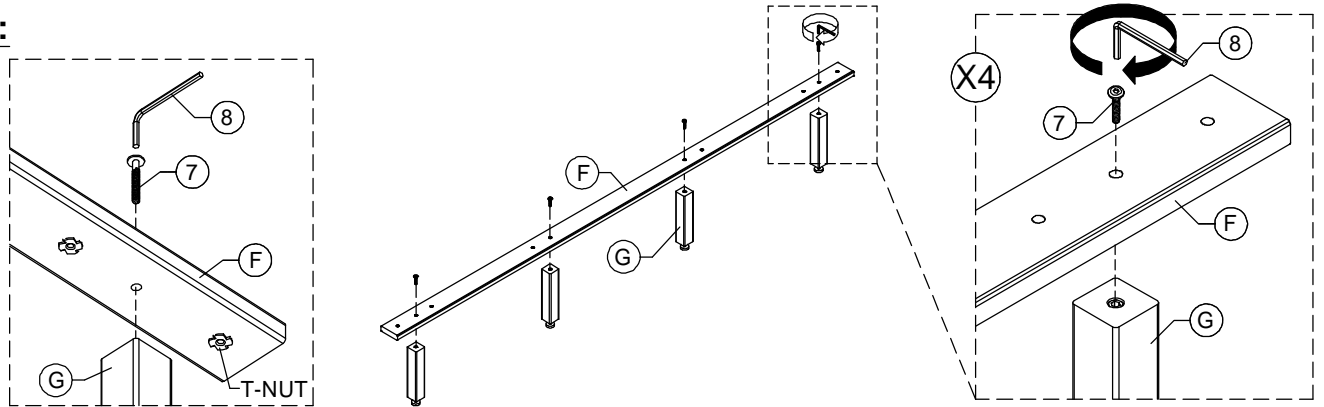
STOP

- IF USING BED FRAME WITH ADJUSTABLE MATTRESS BASE, SKIP TO APPENDIX A: ADJUSTABLE MATTRESS BASE ASSEMBLY SUPPLEMENT.
- IF USING BED FRAME WITH STANDARD BOX SPRING OR FOUNDATION CONTINUE TO STEP 5.

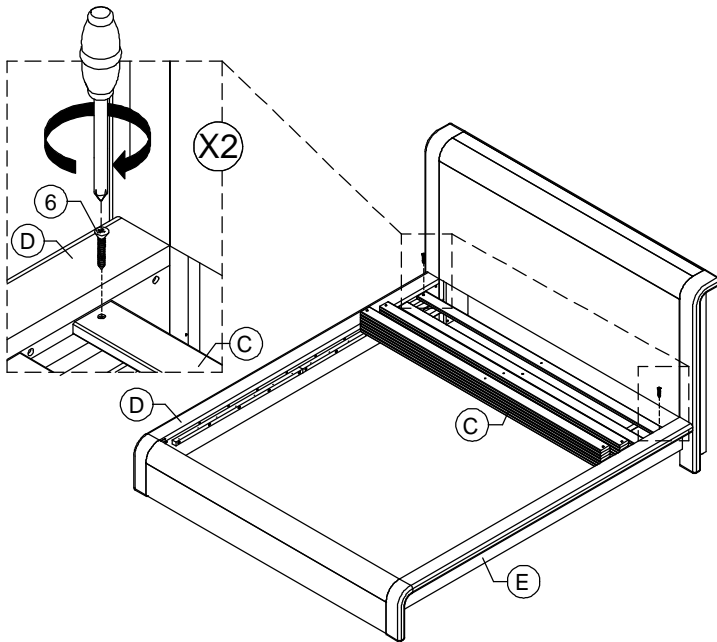
TOTES C.KING BED ASSEMBLY INSTRUCTIONS



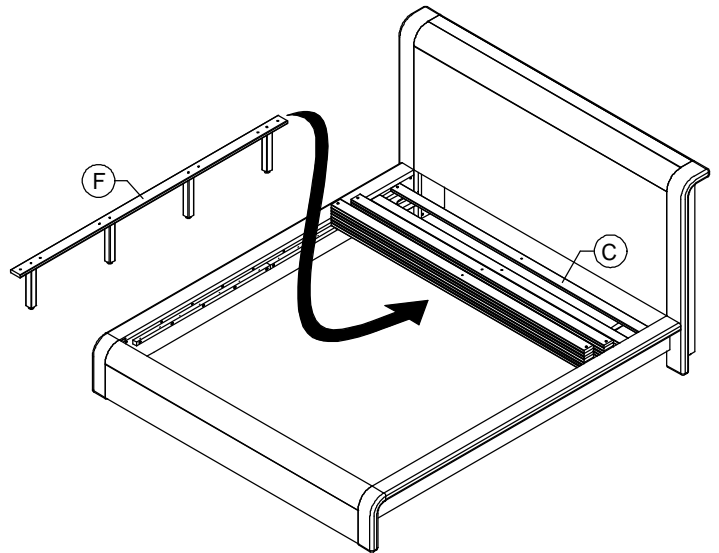
STEP 5 :



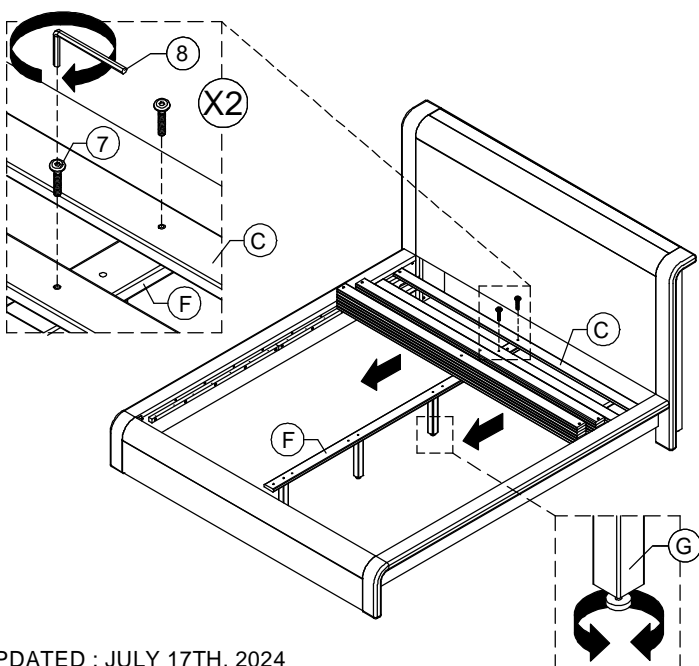
STEP 6 :



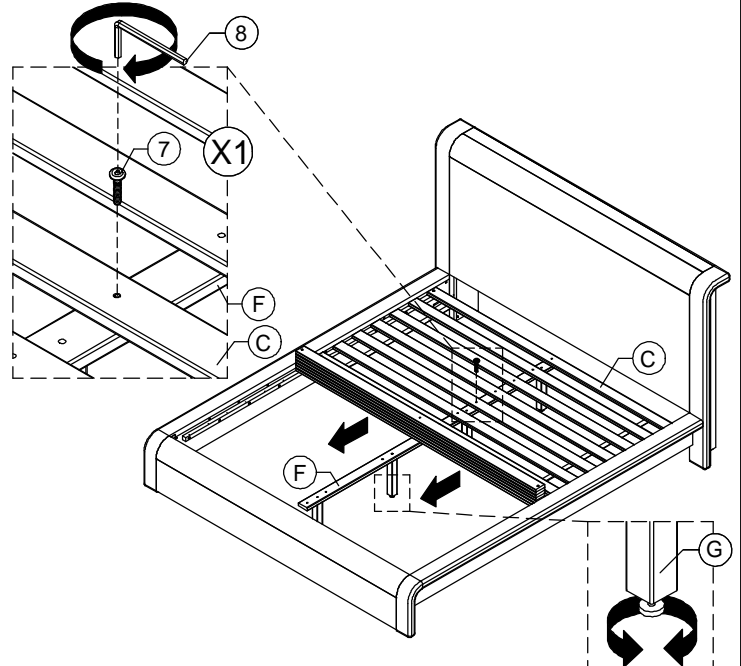
STEP 7 :



STEP 8 :



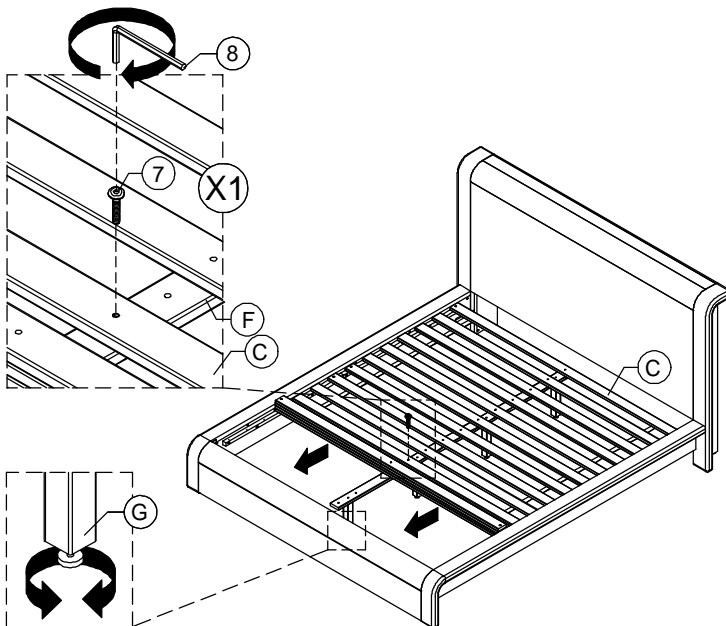
STEP 9 :



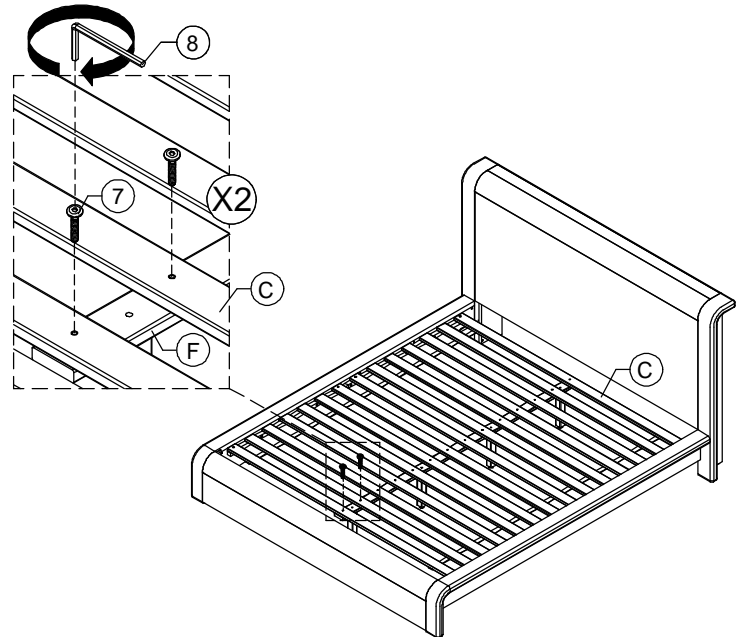
TOTES C.KING BED ASSEMBLY INSTRUCTIONS



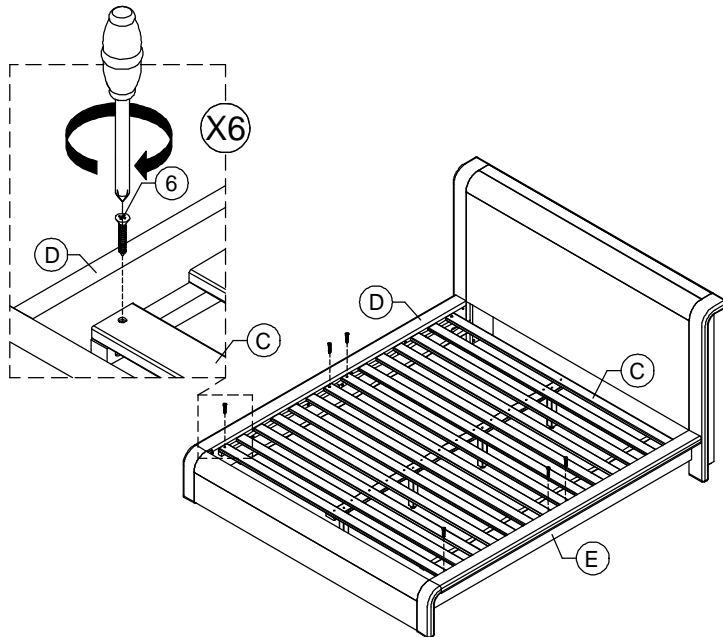
STEP 10 :



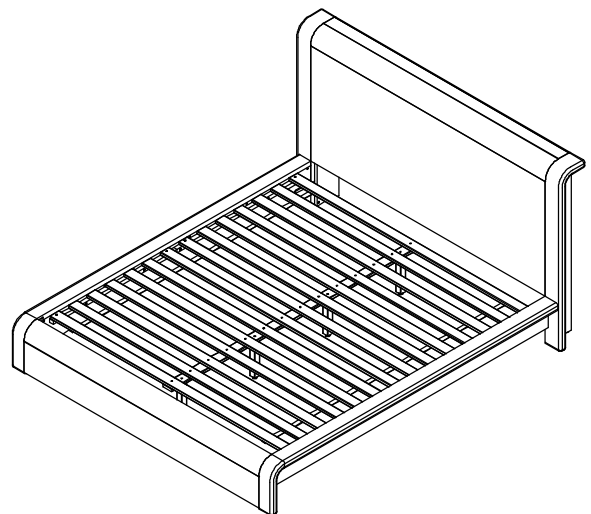
STEP 11 :



STEP 12 :



STEP 13 :



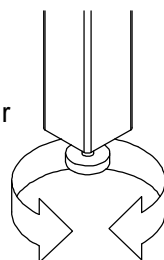
ASSEMBLY COMPLETE

INSTRUCTIONS FOR ADJUSTING LEVELER :

Position the bed in your space and locate the leveler under each leg support (G).

Turn the leveler counter-clockwise to extend the leveler and clockwise to retract it.

Adjust each leveler until each leg support is applying equal, upward pressure on the center slat.



MAINTENANCE INSTRUCTIONS :

- Periodically check all fittings and tighten if necessary, as they can loosen over time.
- Always remove box spring and mattress before moving the bed.
- Lift the bed when moving it. Dragging the bed can damage the center support.
- Readjust levelers after moving the bed.

TOTES C.KING BED

APPENDIX A: ADJUSTABLE MATTRESS BASE ASSEMBLY SUPPLEMENT



AN ADJUSTABLE MATTRESS BASE IS A FREESTANDING MATTRESS SUPPORT THAT SITS WITHIN THE PERIMETER OF THE BED FRAME.

IF USING THIS BED FRAME WITH A STANDARD BOX SPRING OR FOUNDATION THESE INSTRUCTIONS DO NOT APPLY.

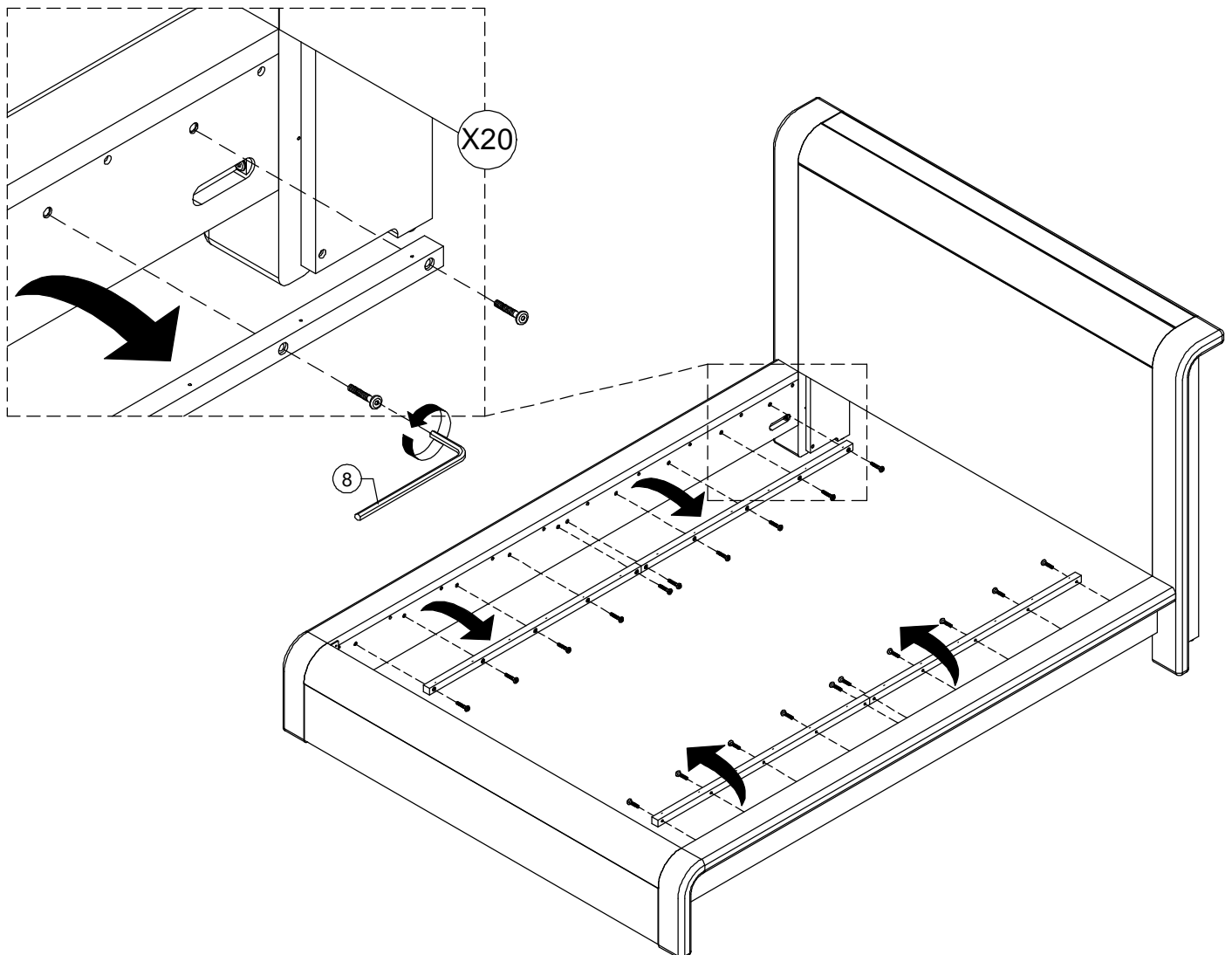
PRE-ASSEMBLED SIDE RAIL CLEATS OBSTRUCT ADJUSTABLE BASE INSTALLATION AND OPERATION. FOLLOW THESE INSTRUCTIONS TO REMOVE THEM.

THE FOLLOWING PARTS ARE NOT REQUIRED FOR ADJUSTABLE MATTRESS BASE INSTALLATION:

C. SLAT ROLL	1SET	6. WOOD SCREW (8X30mm)	9PCS
F. CENTER SLAT	1PC	7. ALLEN BOLT (6X40mm)	11PCS
G. LEG SUPPORT	4PCS		

STEP 1 :

USE ALLEN KEY (8) TO UNSCREW ALLEN BOLTS AND REMOVE PRE-ASSEMBLED SIDE RAIL CLEATS.



NOTE: YOU MAY WISH TO RETAIN UNUSED PARTS IF IN THE FUTURE YOU INTEND TO USE THE BED FRAME WITH A STANDARD BOX SPRING OR FOUNDATION.