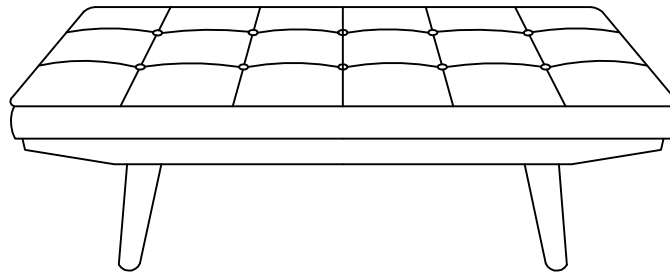




## ASSEMBLY INSTRUCTIONS COASTER FINE FURNITURE



Fine Furniture for every stage of life

**910213**  
**Bench**

REVISION 0 : 10/23/2019

PAGE 1 OF 4

COASTERFURNITURE.COM

ITEM:910213



# ASSEMBLY INSTRUCTIONS

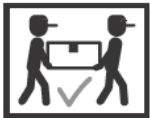
**ASSEMBLY TIPS:**

- 1. Remove hardware from box and sort by size.
- 2. Please check to see that all hardware and parts are present prior start of assembly.
- 3. Please follow attached instructions in the same sequence as numbered to assure fast & easy assembly.



**WARNING!**


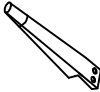
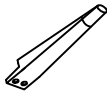
- 1. Don't attempt to repair or modify parts that are broken or defective .Please contact the store immediately.
- 2. This product is for home use only and not intended for commercial establishment.







ASSEMBLY TIME

10 MINUTES

## PARTS IDENTIFICATION

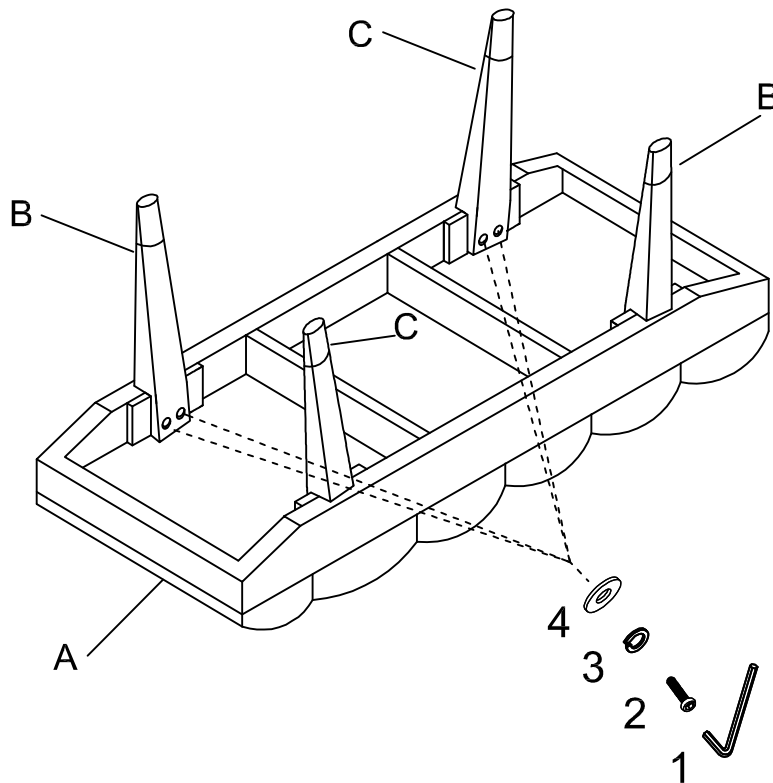
A	SEAT		1PC
B	LEG B		2PCS
C	LEG C		2PCS

## Z HARDWARE IDENTIFICATION

1	ALLEN KEY (M5mm)		1PC
2	BOLT(Ø5/16"*1-1/2")		8PCS
3	SPRING WASHER-BIG (Ø5/16")		8PCS
4	FLAT WASHER-BIG (Ø5/16"*22mm)		8PCS

### ASSEMBLY INSTRUCTIONS

#### STEP 1



ITEM:910213



STEP 2

