

# SAMSUNG

# Product Guide

## Bespoke 8900 Series Laundry

Available in Silver Steel, Brushed Navy  
and Forest Green



# Table of Contents

## WF53BB8900 - Front Load Washer

### Product Overview

Product Overview	4
Carousel Image Order	5

### Product Messaging

Features and Benefits	9
Lifestyle Images	18

### Product Specs

Related Products and Accessories	22
Spec Sheet	23
Energy Guide	24
User Manual and Warranty	25

<b>Feature Icons</b>	27
----------------------	----

## DVE53BB8900 - Electric Dryer DVG53BB8900 - Gas Dryer

### Product Overview

Product Overview	29
Carousel Image Order	30

### Product Messaging

Features and Benefits	37
-----------------------	----

### Product Specs

Related Products and Accessories	46
Spec Sheets	47
User Manual and Warranty	49

<b>Feature Icons</b>	51
----------------------	----

## DV53BB8900HDA2 - Heat Pump Dryer

### Product Overview

Product Overview	53
Carousel Image Order	54

### Product Messaging

Features and Benefits	56
-----------------------	----

### Product Specs

Related Products and Accessories	65
Spec Sheets	66
User Manual and Warranty	67

<b>Feature Icons</b>	69
----------------------	----

# Product Overview

---

**WF53BB8900AT**  
**WF53BB8900AD**  
**WF53BB8900AG**

**Bespoke 5.3 cu. ft. Ultra Capacity Front Load Washer  
with AI OptiWash™ and Auto Dispense**

# Product Overview

## Product Title

Bespoke 5.3 cu. ft. Ultra Capacity Front Load Washer with AI OptiWash™ and Auto Dispense

## Product Description (431 Characters)

Samsung's Bespoke 5.3 cu. ft. Ultra Capacity Front Load Washer has a sleek, flat-panel design, comes in new premium colors, and is equipped with smart features that simplify your laundry experience. It has our AI OptiWash™, which senses soil levels and automatically adjusts time and detergent\* for a worry-free wash, and Auto Dispense, which conveniently stores and automatically dispenses up to 32 loads of detergent and softener.

\*Based on AI-created algorithm.

## Easy Ads Links

**Silver Steel Washer:** <https://dam.gettyimages.com/p/z0c3461/digital-appliances?o=AND&q=WF53BB8900AT>

**Brushed Navy Washer:** <https://dam.gettyimages.com/p/z0c3461/digital-appliances?o=AND&q=WF53BB8900AD>

**Forest Green Washer:** <https://dam.gettyimages.com/p/z0c3461/digital-appliances?o=AND&q=WF53BB8900AG>

## Available Colors



### Silver Steel

Model Number: WF53BB8900AT

UPC: 887276652269



### Brushed Navy

Model Number: WF53BB8900AD

UPC: 887276652252



### Forest Green

Model Number: WF53BB8900AG

UPC: 887276711881



# Carousel Image Order

## WF53BB8900AT



# Carousel Image Order

## WF53BB8900AD



# Carousel Image Order

## WF53BB8900AG



# Product Messaging




---

**WF53BB8900AT**  
**WF53BB8900AD**  
**WF53BB8900AG**




**Bespoke 5.3 cu. ft. Ultra Capacity Front Load Washer  
with AI OptiWash™ and Auto Dispense**





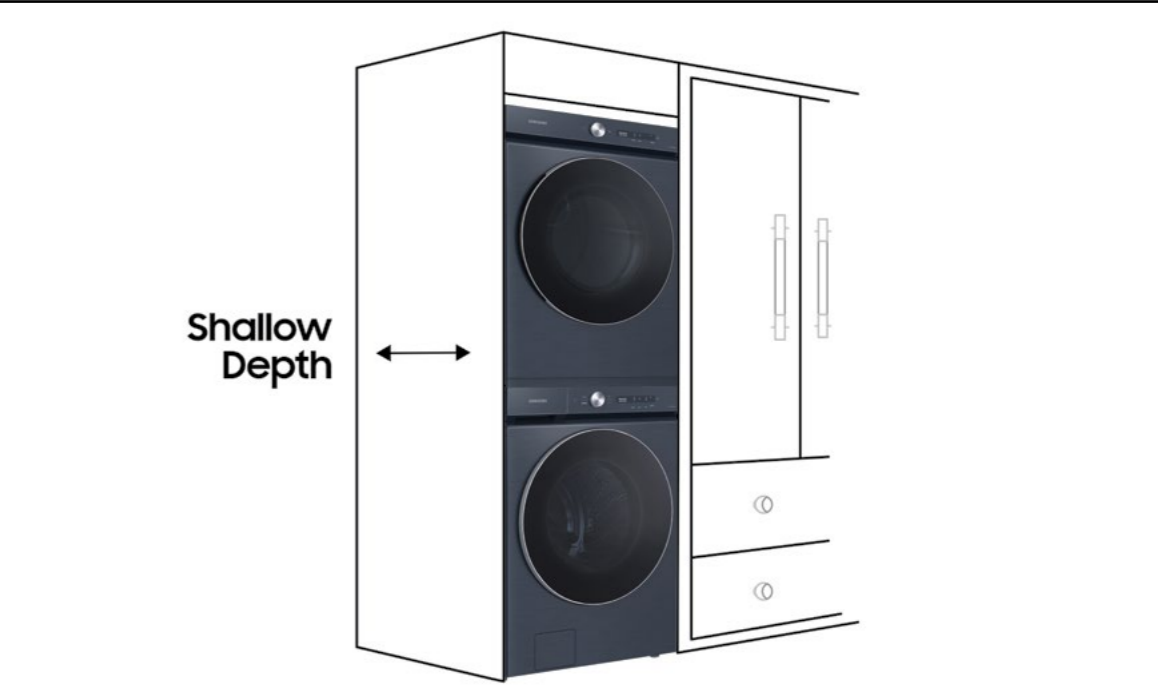
## Features and Benefits: WF53BB8900\*

Headline	Feature Name	Long Body Copy	Short Body Copy	Associated Image
<p><b>Bespoke design, intelligent wash</b></p>	<p>N/A</p>	<p>Laundry reimagined with a clean, flat-panel design and AI-powered features that simplify your cleaning routine. Choose from a variety of premium colors to create a laundry space that fits your style.</p>	<p>Flat-panel design, AI-powered features, and a variety of premium colors.</p>	
<p><b>Industry's largest capacity in its class*</b>  <small>*As compared to 27" wide front load washers.</small></p>	<p><b>5.3 cu. ft. Ultra Capacity</b></p>	<p>Ultra Capacity lets you wash more items in a single load, meaning fewer loads, less time in the laundry room, and more time doing the things you love.</p>	<p>Fewer loads, less time in the laundry room.</p>	
<p><b>Automatic dirt sensing</b></p>	<p><b>AI OptiWash™</b></p>	<p>AI OptiWash™ takes the guesswork out of cycle selection by automatically detecting what's in the load and how dirty clothes are, and adjusting wash time and detergent as needed during the cycle.*  <small>*To prevent wear, wash like fabrics together. Based on AI-created algorithm.</small></p>	<p>Automatic soil and fabric detection* for better cleaning.  <small>*To prevent wear, wash like fabrics together. Based on AI-created algorithm.</small></p>	


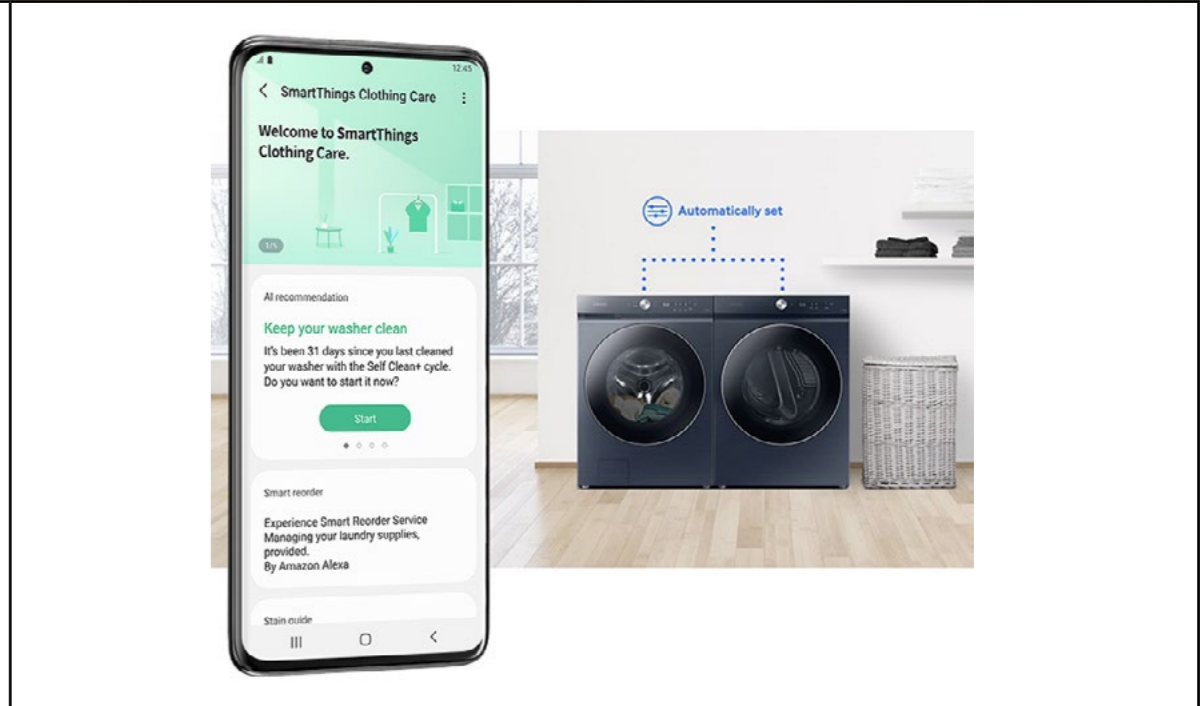

## Features and Benefits: WF53BB8900\* (Continued)

Headline	Feature Name	Long Body Copy	Short Body Copy	Associated Image
<p><b>Skip adding detergent</b></p>	<p><b>Auto Dispense System</b></p>	<p>Skip adding detergent each time with our Auto Dispense System, which conveniently stores and automatically dispenses up to 32 loads of detergent and softener.</p>	<p>Conveniently stores and dispenses up to 32 loads of detergent and softener.</p>	 <p><b>32 Loads</b> AutoDispense Accurately dispenses detergent and softener for up to 32 loads.</p> <p><b>Measure</b> Dispenses the appropriate amount of detergent.</p> <p><b>Notify</b> Alerts you when the detergent or softener runs out.</p>
<p><b>Wash a full load in just 28 minutes*</b></p> <p><small>*Based on using Super Speed cycle with an 8lb load.</small></p>	<p><b>Super Speed Wash</b></p>	<p>Wash a full load in just 28 minutes* without sacrificing cleaning performance, and achieve a complete wash and dry in under an hour when paired with a Super Speed Dryer.</p> <p><small>*Based on using Super Speed cycle with an 8lb load.</small></p>	<p>Powerful cleaning in just 28 minutes* and achieve a complete wash and dry in under an hour with an added Super Speed Dryer.</p> <p><small>*Based on using Super Speed cycle with an 8lb load.</small></p>	 <p>Wash in 28 min</p> <p>Dry in 30 min</p> <p><b>less than one hour</b></p>
<p><b>Make your laundry routine more simple</b></p>	<p><b>AI Smart Dial</b></p>	<p>Samsung's easy to use, AI Smart Dial simplifies your washer's control panel, learns and recommends your favorite cycles,* and allows you to customize your cycle list, making laundry day a breeze.</p> <p><small>*AI Smart Dial makes recommendations within 30 days of use based on cycle selections, time selected, and other factors.</small></p>	<p>Samsung's easy to use, AI Smart Dial simplifies your washer's control panel and makes laundry day a breeze.</p>	 <p>Outdoor Refresh spring hiking clothes</p> <p>Temp. Spin</p>




## Features and Benefits: WF53BB8900\* (Continued)

Headline	Feature Name	Long Body Copy	Short Body Copy	Associated Image
<p><b>Controls within reach</b></p>	<p><b>MultiControl™</b></p>	<p>Eliminate the long reach and control your dryer right from your washer when the units are stacked.*</p> <p>*Use of this feature requires a stacked AI Smart Dial washer and dryer and Bespoke Stacking &amp; MultiControl™ Combo Kit (SKK-9MC*), which is sold separately.</p>	<p>Control your dryer right from your washer when the units are stacked.*</p> <p>*Use of this feature requires a stacked AI Smart Dial washer and dryer and Bespoke Stacking &amp; MultiControl™ Combo Kit (SKK-9MC*), which is sold separately.</p>	
<p><b>N/A</b></p>	<p><b>ENERGY STAR® Most Efficient</b></p>	<p>Our washers are recognized by the EPA in delivering cutting edge energy efficiency along with the latest in technological innovation.*</p> <p>*Visit <a href="http://www.energystar.gov">www.energystar.gov</a> for more information on ENERGY STAR® guidelines.</p>	<p>Recognized for delivering cutting edge energy efficiency and innovation.*</p> <p>*Visit <a href="http://www.energystar.gov">www.energystar.gov</a> for more information on ENERGY STAR® guidelines.</p>	
<p><b>Space-saving design</b></p>	<p><b>Shallow Closet-Depth Fit*</b></p> <p>*Designed to fit a 38" installation depth.</p>	<p>Perfect for any laundry space, this washer has a shallower depth for easy closet installation,* without sacrificing capacity.</p> <p>*Designed to fit a 38" installation depth.</p>	<p>A shallower depth allows for easy closet installation* without sacrificing capacity.</p> <p>*Designed to fit a 38" installation depth.</p>	



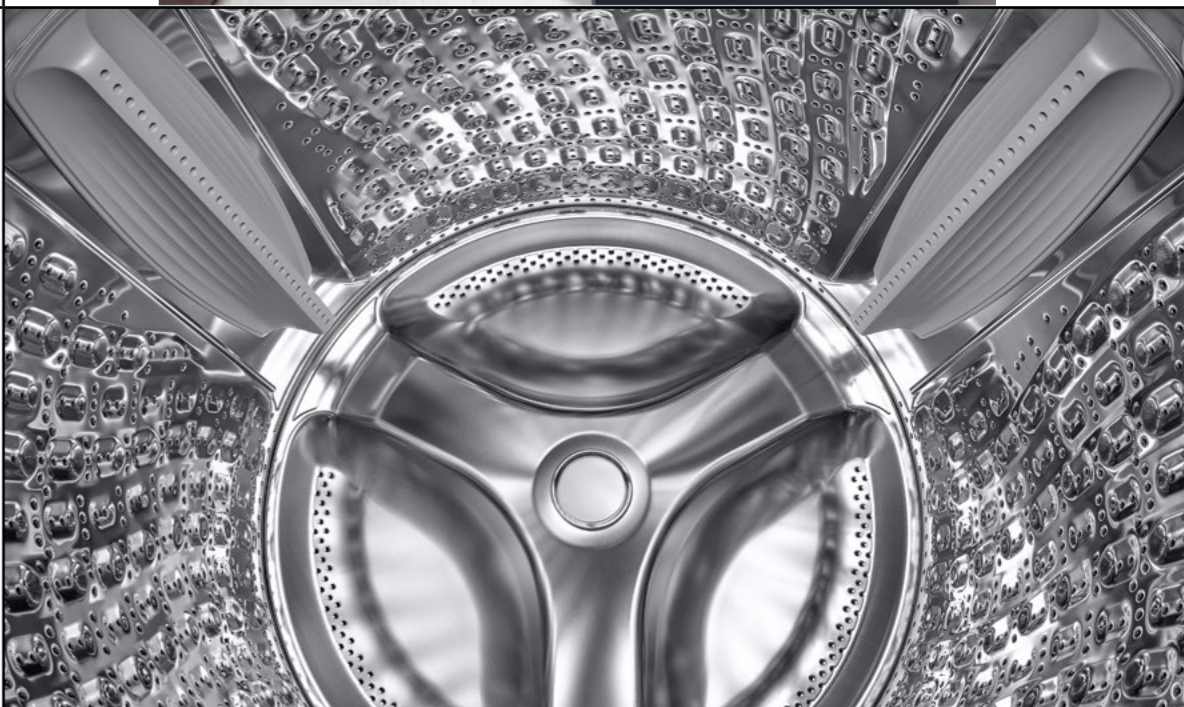
## Features and Benefits: WF53BB8900\* (Continued)

Headline	Feature Name	Long Body Copy	Short Body Copy	Associated Image
<p><b>Fits any space</b></p>	<p><b>Flexible Installation</b></p>	<p>Install your washer and dryer stacked or side by side to fit any space.</p>	<p>Your choice, stacked or side by side.</p>	
<p><b>Control in the palm of your hand</b></p>	<p><b>Wi-Fi Connectivity</b></p>	<p>Wi-Fi connected so you can get end-of-cycle alerts, remotely start and stop your wash, schedule cycles on your time and more, right from your smartphone with the SmartThings App.*</p> <p><small>*Requires wireless network, Samsung account and SmartThings App. Available on Android and iOS devices.</small></p>	<p>Get end of cycle alerts, remotely start, schedule, and more from your smartphone with the SmartThings App.*</p> <p><small>*Requires wireless network, Samsung account and SmartThings App. Available on Android and iOS devices.</small></p>	
<p><b>Purchase with confidence</b></p>	<p><b>20-Year Motor Warranty</b></p>	<p>Purchase with confidence any Samsung Washer model with a Digital Inverter Motor and receive a 20 year warranty on the motor.*</p> <p><small>*20-year warranty limited to the Digital Inverter Motor of washers purchased on 7/1/2022 or later. Purchase receipt indicating purchase date required for a claim. Additional restrictions and limitations apply, see warranty for details.</small></p>	<p>Purchase with confidence any Samsung Washer model with a Digital Inverter Motor and receive a 20 year warranty on the motor.*</p> <p><small>*20-year warranty limited to the Digital Inverter Motor of washers purchased on 7/1/2022 or later. Purchase receipt indicating purchase date required for a claim. Additional restrictions and limitations apply, see warranty for details.</small></p>	




## Features and Benefits: WF53BB8900\* (Continued)

Headline	Feature Name	Long Body Copy	Short Body Copy	Associated Image
<p><b>Gently remove stains</b></p>	<p><b>Steam</b></p>	<p>The power of steam lets you gently remove stains without any time-consuming pretreatments. Steam is released from the drum so every item in the load is thoroughly saturated, ensuring a deep clean.</p>	<p>The power of steam lets you gently remove stains without any time-consuming pretreatments.</p>	
<p><b>Open the door to a fresher washer</b></p>	<p><b>Antimicrobial Technology</b></p>	<p>The inside of the washer is treated with antimicrobial technology to help keep it smelling fresh.*</p> <p><small>*Antimicrobial treatment is applied to the gasket and does not protect users or other items against bacteria, viruses, germs, or other disease organisms.</small></p>	<p>Keep the inside of your washer smelling fresh with antimicrobial technology.*</p> <p><small>*Antimicrobial treatment is applied to the gasket and does not protect users or other items against bacteria, viruses, germs, or other disease organisms.</small></p>	
<p><b>Keep your washer fresh</b></p>	<p><b>Self Clean+</b></p>	<p>Self Clean+ cleans the inside of your washer to keep it smelling fresh and will also remind you every 40 wash cycles when it is time for a cleaning.</p>	<p>Self Clean+ cleans the inside of your washer and will remind you every 40 cycles when it is time for a cleaning.</p>	


## Features and Benefits: WF53BB8900\* (Continued)

Headline	Feature Name	Long Body Copy	Short Body Copy	Associated Image
<p><b>Beautiful design, built to last</b></p>	<p><b>Premium Tempered Glass Door</b></p>	<p>Made with a more scratch-resistant, flat tempered glass, our premium design door combines an upscale look with a durable finish.</p>	<p>A more scratch-resistant tempered glass door combines an upscale look with a durable finish.</p>	
<p><b>Quiet washing anytime, any place</b></p>	<p><b>Vibration Reduction Technology+</b></p>	<p>Do your laundry in peace. Our innovative Vibration Reduction Technology+ reduces noise and vibration and creates a quiet washing experience.</p>	<p>Reduces noise and vibration for quiet washing.</p>	
<p><b>N/A</b></p>	<p><b>Swirl+ Drum Interior</b></p>	<p>The improved drum pattern draws out more water during the rinse cycle and helps prevent clothes from snagging during the wash.</p>	<p>Improved drum pattern draws out water more quickly and helps prevent snags.</p>	

## Features and Benefits: WF53BB8900\* (Continued)

Headline	Feature Name	Long Body Copy	Short Body Copy	Associated Image
<p><b>Put an end to stray socks</b></p>	<p><b>Internal Drum Light</b></p>	<p>An internal drum light lets you see the contents of your washer more clearly, meaning fewer missed socks or small items.</p>	<p>An internal drum light lets you see the contents of your washer more clearly.</p>	
<p><b>Easier use, for everyone</b></p>	<p><b>ADA Compliant</b></p>	<p>With use of a Samsung Riser,* your washer or dryer is compliant with the Americans with Disabilities Act (ADA), making loading and unloading much easier.</p> <p><small>*ADA Compliant when using 27" wide riser. (Riser model codes: WE272NV, WE272NW, WE272NC)</small></p>	<p>Designed for easy use for everyone.*</p> <p><small>*ADA Compliant when using 27" wide riser. (Riser model codes: WE272NV, WE272NW, WE272NC)</small></p>	
<p><b>Perfect pair</b></p>	<p><b>Matching Dryer</b></p>	<p>Samsung washers and dryers team up to make light work of laundry day.</p>	<p>N/A</p>	

## Features and Benefits: WF53BB8900\* (Continued)

Headline	Feature Name	Long Body Copy	Short Body Copy	Associated Image
N/A	Matching Accessories	Round out your laundry setup with a matching pedestal, riser, and more.	N/A	



# Lifestyle Images

---

**WF53BB8900AT**  
**WF53BB8900AD**  
**WF53BB8900AG**

**Bespoke 5.3 cu. ft. Ultra Capacity Front Load Washer  
with AI OptiWash™ and Auto Dispense**

# Lifestyle Images

## Silver Steel Pair



# Lifestyle Images

## Brushed Navy Pair



# Lifestyle Images

## Forest Green Pair



# Product Specs

---

**WF53BB8900AT**

**WF53BB8900AD**

**WF53BB8900AG**

**Bespoke 5.3 cu. ft. Ultra Capacity Front Load Washer  
with AI OptiWash™ and Auto Dispense**

## Related Products and Accessories

Bespoke Dryer Series	Bespoke Pedestal	Bespoke Stacking & MultiControl™ Combo Kit
DVE53BB8900T DVG53BB8900T DVE53BB8900D DVG53BB8900D DVE53BB8900G DVG53BB8900G	WE502NT WE502ND WE502NG	SKK-9MCT SKK-9MCD SKK-9MCG

# Spec Sheet

**WF53BB8900**  
Bespoke 5.3 cu. ft. Ultra Capacity Front Load Washer with AI OptiWash™ and Auto Dispense



**Available Colors**

- Silver Steel** WF53BB8900AT
- Brushed Navy** WF53BB8900AD
- Forest Green** WF53BB8900AG

**Features**

- Bespoke Design
- 5.3 cu. ft. Ultra Capacity
- AI OptiWash™
- Auto Dispense System
- Super Speed Wash
- AI Smart Dial
- MultiControl™
- ENERGY STAR® Most Efficient
- Shallow Closet-Depth Fit¹
- Flexible Installation
- Wi-Fi Connectivity²
- Steam
- Antimicrobial Technology³
- Self Clean+
- Premium Tempered Glass Door
- Vibration Reduction Technology⁴
- Swirl+ Drum Interior
- Internal Drum Light
- ADA Compliant⁴
- 1200 RPM Maximum Spin Speed
- Direct Drive Motor
- 25 Total Washing Cycles
- 18 Options

**Specifications**

**25 Total Washing Cycles:** Normal, AI OptiWash, Heavy Duty, Bedding, Permanent Press, Delicates, Activewear, Wool, Towels, Eco Cold, Rinse + Spin, Self Clean+, Small Load, Colors, Spin Only, Outdoor, Denim, Super Speed, Steam Sanitize, Steam Allergen, Steam Normal, Power Steam, Steam Whites, Steam Bulky, Power Rinse

**18 Additional Washing Options:** Presoak, Extra Rinse, My Cycles, Delay End, Smart Control, Super Speed, Drum Light, Dose per Wash, Dose per Rinse, Child Lock, Detergent Concentration Level, Softener Concentration Level, AI Pattern, Alarm, Calibration, Wi-Fi, Language, Factory Reset

**5 Temperature Settings:** Extra Hot, Hot, Warm, Cold, Tap Cold

**7 Spin Settings:** Extra High, High, Medium, Low, Extra Low, No Spin, No Drain

**5 Soil Settings:** Extra Heavy, Heavy, Normal, Light, Extra Light

**Warranty**  
One (1) Year Parts and Labor  
Three (3) Years Stainless Tub Part (Part Only)  
Twenty (20) Years; Washing DIT (Digital Inverter Motor) Motor Part (Part Only)

**Product Dimensions & Weight (WxHxD)**  
Dimensions: 27" x 38 1/2" x 34 1/2"  
Weight: 227.1 lbs

**Shipping Dimensions & Weight (WxHxD)**  
Dimensions: 29 1/2" x 42 1/2" x 36 1/4"  
Weight: 233.7 lbs

**Optional Accessories**

Model #	UPC Code
Silver Steel Pedestal	WES02NT 887276665283
Brushed Navy Pedestal	WES02ND 887276665276
Forest Green Pedestal	WES02NG 887276711676
Silver Steel Bespoke Stacking and MultiControl™ Combo Kit	SKK-9MCT 887276667379
Brushed Navy Bespoke Stacking and MultiControl™ Combo Kit	SKK-9MCD 887276667362
Forest Green Bespoke Stacking and MultiControl™ Combo Kit	SKK-9MCG 887276712819

**Matching Electric Dryer**

Model #	UPC Code
Silver Steel	DVE53BB8900T 887276657264
Brushed Navy	DVE53BB8900D 887276657257
Forest Green	DVE53BB8900G 887276711645

**Matching Gas Dryer**

Model #	UPC Code
Silver Steel	DVG53BB8900T 887276657325
Brushed Navy	DVG53BB8900D 887276657318
Forest Green	DVG53BB8900G 887276711649

**Convenience**

- Child Lock
- Dispenser Trays: Main Wash, Bleach, Auto Detergent, Auto Softener

**Ratings**

Most Efficient 2022  
CEE Tier 3  
IMEF = 3.1  
IWF = 2.9  
103 kWh/yr

**Electrical Requirements**

120 V / 60 Hz  
15 Amps

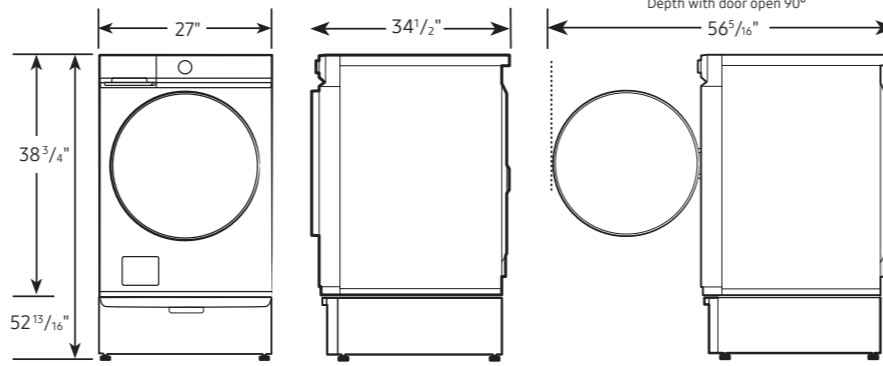
**SAMSUNG**

¹ Designed to fit a 38" installation depth.  
² Requires wireless network, Samsung account and Samsung SmartThings App. The Samsung SmartThings App supports Android OS 4.0 (ICS) or later which is optimized for Samsung smartphones (Galaxy S and Galaxy Note series). This app also supports iOS 7 or later for iPhone models. Samsung SmartThings App available in App Store and Play Store.  
³ Antimicrobial treatment does not protect users or other items against bacteria, viruses, germs, or other disease organisms.  
⁴ ADA Compliant when using 27" wide riser. (Riser model codes: WE272NV, WE272NW, WE272NC)

Washer Spec Sheet - page 1

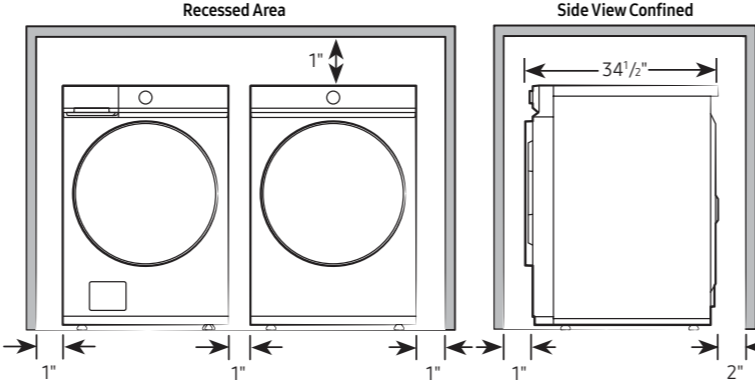
**WF53BB8900**  
Bespoke 5.3 cu. ft. Ultra Capacity Front Load Washer with AI OptiWash™ and Auto Dispense

**Dimensions**  
Required dimensions for installation with pedestal:

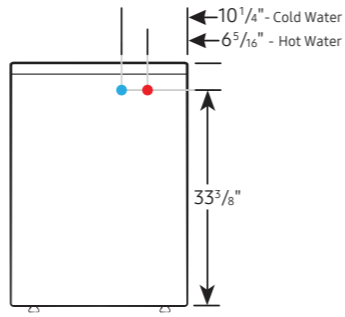


**Installation Specifications – Side-by-Side**  
If the washer and dryer are installed together or the dryer alone, the closet front must have two unobstructed air openings for a combined minimum total area of 72-inch². Your washer alone does not require a specific air opening.

**Alcove or closet installation**  
Minimum clearance for closet and alcove installations:



**Connection Dimensions**  
Back view of washer



**LEGEND:**  
● Cold Water Connection  
● Hot Water Connection

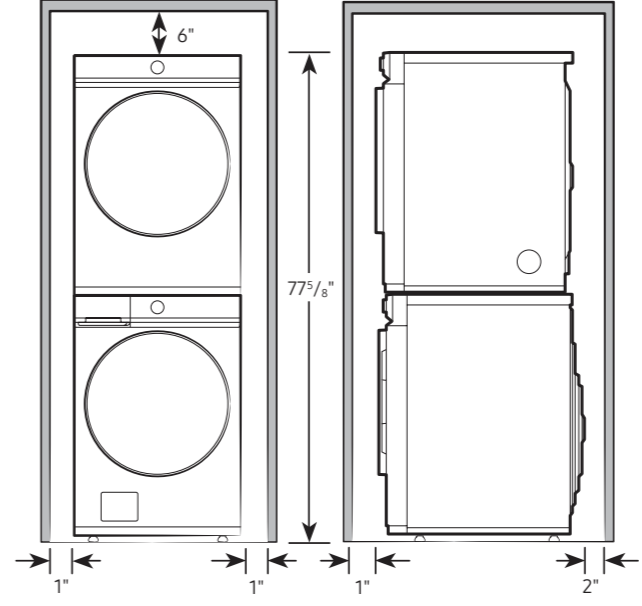
Actual color may vary. Design, specifications, and color availability are subject to change without notice. Non-metric weights and measurements are approximate.  
©2022 Samsung Electronics America, Inc. 85 Challenger Road, Ridgefield Park, NJ 07660. Tel: 800-SAMSUNG, samsung.com. Samsung is a registered trademark of Samsung Electronics Co., Ltd.

**SAMSUNG**

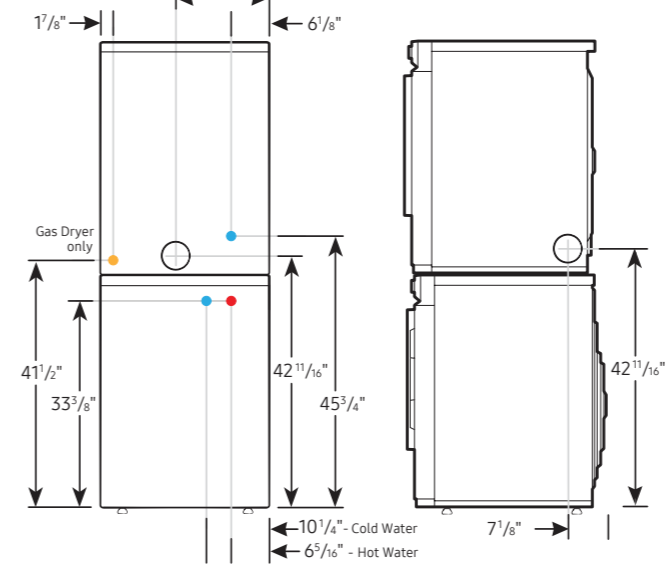
Washer Spec Sheet - page 2

**WF53BB8900**  
Bespoke 5.3 cu. ft. Ultra Capacity Front Load Washer with AI OptiWash™ and Auto Dispense

**Installation Specifications – Stacked Pair**  
Clearances indicated are for stacked pairs. The closet front must have two unobstructed air openings for a combined minimum total area of 72-inch².



**Connection Dimensions**  
Back and side views of stacked pair



**LEGEND:**  
● Cold Water Connection  
● Hot Water Connection  
● Gas Connection

Actual color may vary. Design, specifications, and color availability are subject to change without notice. Non-metric weights and measurements are approximate.  
©2022 Samsung Electronics America, Inc. 85 Challenger Road, Ridgefield Park, NJ 07660. Tel: 800-SAMSUNG, samsung.com. Samsung is a registered trademark of Samsung Electronics Co., Ltd.

**SAMSUNG**

Washer Spec Sheet - page 3

# Energy Guide

U.S. Government Federal law prohibits removal of this label before consumer purchase.

# ENERGYGUIDE

Clothes Washer Capacity Class: Standard Samsung Models WF53BB89\*\*A\* WF53BB87\*\*A\* Capacity (tub volume): 5.3 cubic feet

**Compare ONLY to other labels with yellow numbers.**  
Labels with yellow numbers are based on the same test procedures.

**Estimated Yearly Energy Cost**  
(when used with an electric water heater)

**\$12**


\$8 Cost Range of Similar Models \$51

**103 kWh**  
Estimated Yearly Electricity Use

**\$10**  
Estimated Yearly Energy Cost  
(when used with a natural gas water heater)

- Your cost will depend on your utility rates and use.
- Cost range based only on standard capacity models.
- Estimated energy cost based on six wash loads a week and a national average electricity cost of 12 cents per kWh and natural gas cost of \$1.09 per therm.

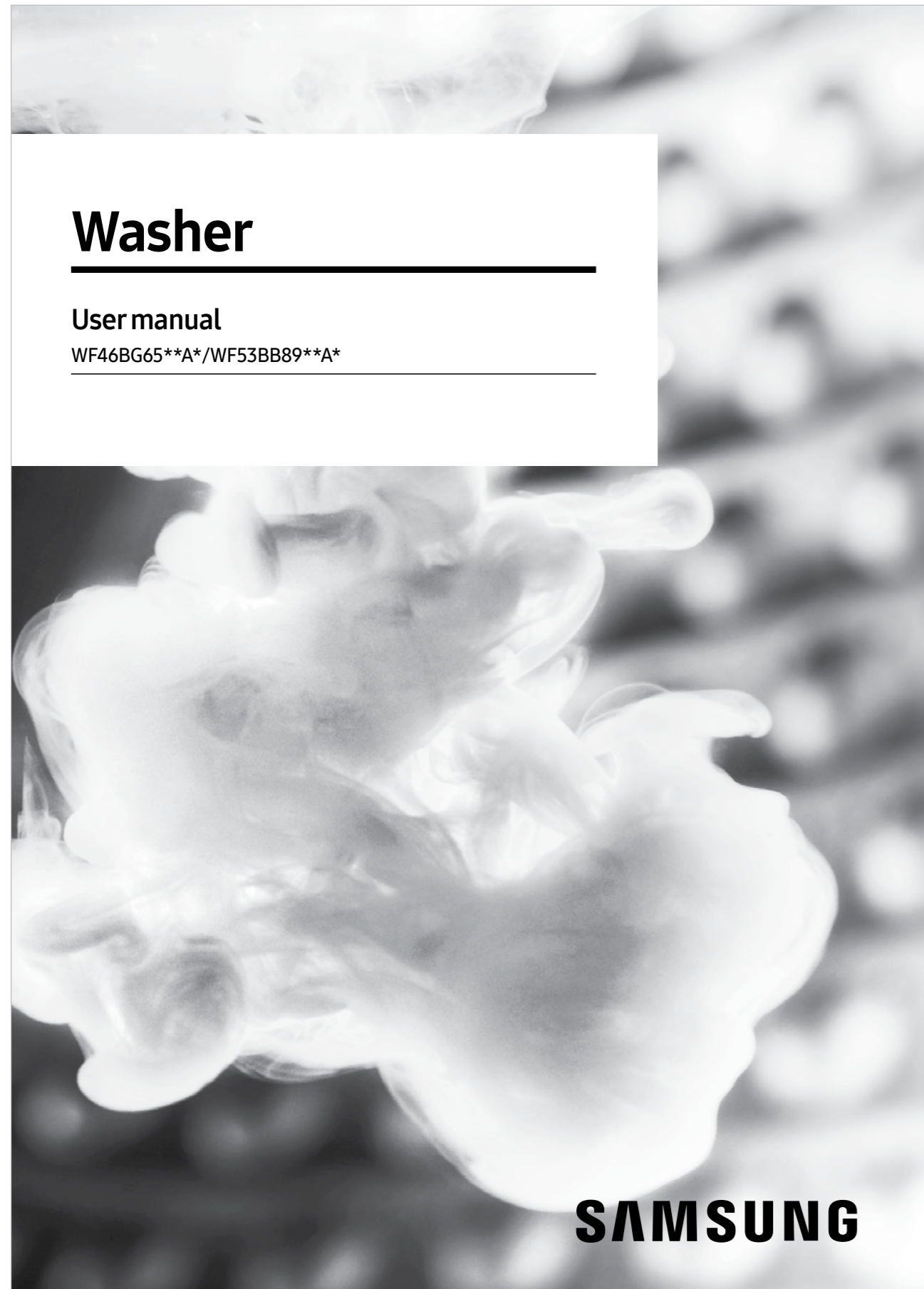
[ftc.gov/energy](http://ftc.gov/energy)



Energy Guide



# User Manual and Warranty



User Manual

## LIMITED WARRANTY (U.S.A.) – SAMSUNG WASHER

**Models:**  
WF53BB8900AD  
WF53BB8900AT  
WF53BB8900AG

### LIMITED WARRANTY TO ORIGINAL PURCHASER WITH PROOF OF PURCHASE

This SAMSUNG brand product, as supplied and distributed by SAMSUNG ELECTRONICS AMERICA, INC. (SAMSUNG) and delivered new, in the original carton to the original consumer purchaser, is warranted by SAMSUNG against manufacturing defects in materials or workmanship for the limited warranty period, starting from the date of original purchase, of:

**One (1) year Parts and labor**  
**Three (3) years Stainless tub part (Part Only)**  
**Twenty (20) years; Washing DIT (Digital Inverter Motor) motor part (Part Only)**

This limited warranty is valid only on products purchased and used in the United States that have been installed, operated, and maintained according to the instructions attached to or furnished with the product. To receive warranty service, the purchaser must contact SAMSUNG at the address or phone number provided below for problem determination and service procedures. Warranty service can only be performed by a SAMSUNG authorized service center. The original dated bill of sale must be presented upon request as proof of purchase to SAMSUNG or SAMSUNG's authorized service center to receive warranty service.

SAMSUNG will provide in-home service within the contiguous United States during the warranty period at no charge, subject to availability of SAMSUNG authorized servicers within the customer's geographic area. If in-home service is not available, SAMSUNG may elect, at its option, to provide transportation of the product to and from an authorized service center. If the product is located in an area where service by a SAMSUNG authorized servicer is not available, you may be responsible for a trip charge or require to bring the product to a SAMSUNG authorized service center for service.

To receive in-home service, product must be unobstructed and accessible to the service agent.

During the applicable warranty period, a product will be repaired, replaced, or the purchase price refunded, at the sole option of SAMSUNG. SAMSUNG may use new or reconditioned parts in repairing a product, or replace the product with a new or reconditioned product. Replacement parts and products are warranted for the remaining portion of the original product's warranty or ninety (90) days, whichever is longer. All replaced parts and products are the property of SAMSUNG and you must return them to SAMSUNG.

This limited warranty covers manufacturing defects in materials or workmanship encountered in normal household, noncommercial use of this product and shall not cover the following: damage that occurs in shipment, delivery, installation, and uses for which this product was not intended; damage caused by unauthorized modification or alteration of the product; product where the original factory serial numbers have been removed, defaced, changed in any way, or cannot be readily determined; cosmetic

Warranty

# Feature Icons

---

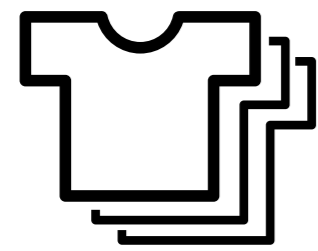
**WF53BB8900AT**

**WF53BB8900AD**

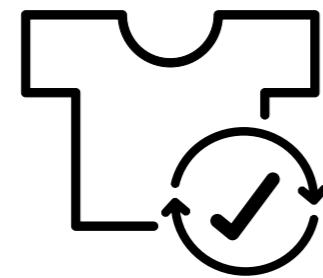
**WF53BB8900AG**

**Bespoke 5.3 cu. ft. Ultra Capacity Front Load Washer  
with AI OptiWash™ and Auto Dispense**

# Feature Icons



5.3 cu. ft. Ultra Capacity



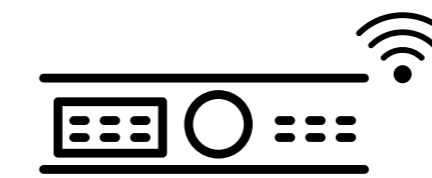
AI OptiWash™



Auto Dispense System



Super Speed Wash



AI Smart Dial



MultiControl™



20-Year Motor Warranty\*

\*20-year warranty limited to the Digital Inverter Motor of washers purchased on 7/1/2022 or later. Purchase receipt indicating purchase date required for a claim. Additional restrictions and limitations apply, see warranty for details.

# Product Overview

---

**DVE53BB8900T / DVG53BB8900T**  
**DVE53BB8900D / DVG53BB8900D**  
**DVE53BB8900G / DVG53BB8900G**

**Bespoke 7.6 cu. ft. Ultra Capacity Electric Dryer with AI Optimal Dry and Super Speed Dry**  
**Bespoke 7.6 cu. ft. Ultra Capacity Gas Dryer with AI Optimal Dry and Super Speed Dry**

# Product Overview

## Product Titles

DVE53BB8900 - Bespoke 7.6 cu. ft. Ultra Capacity Electric Dryer with AI Optimal Dry and Super Speed Dry

DVG53BB8900 - Bespoke 7.6 cu. ft. Ultra Capacity Gas Dryer with AI Optimal Dry and Super Speed Dry

## Electric Dryer Description (406 Characters)

Samsung's Bespoke Ultra Capacity Electric Dryer has a sleek, flat-panel design, comes in new premium colors, and is equipped with smart features that simplify your laundry experience. It has our AI Optimal Dry, which automatically chooses the best settings based on what you're drying,\* to take the guesswork out of cycle selection, and Super Speed Dry, which optimally dries a full load in just 30 minutes.\*\*

## Gas Dryer Description (401 Characters)

Samsung's Bespoke Ultra Capacity Gas Dryer has a sleek, flat-panel design, comes in new premium colors, and is equipped with smart features that simplify your laundry experience. It has our AI Optimal Dry, which automatically chooses the best settings based on what you're drying,\* to take the guesswork out of cycle selection, and Super Speed Dry, which optimally dries a full load in just 30 minutes.\*\*

\*Based on AI-created algorithm.\*\*Based on 8lb D.O.E. standard load (50% cotton, 50% poly).

## Easy Ads Links

**Silver Steel Electric and Gas Dryer:** [https://dam.gettyimages.com/p/z0c3461/digital-appliances?o=AND&q=DV\\*53BB8900T](https://dam.gettyimages.com/p/z0c3461/digital-appliances?o=AND&q=DV*53BB8900T)

**Brushed Navy Electric and Gas Dryer:** [https://dam.gettyimages.com/p/z0c3461/digital-appliances?o=AND&q=DV\\*53BB8900D](https://dam.gettyimages.com/p/z0c3461/digital-appliances?o=AND&q=DV*53BB8900D)

**Forest Green Electric and Gas Dryer:** [https://dam.gettyimages.com/p/z0c3461/digital-appliances?o=AND&q=DV\\*53BB8900G](https://dam.gettyimages.com/p/z0c3461/digital-appliances?o=AND&q=DV*53BB8900G)

## Available Colors



### Silver Steel

Electric Dryer Model Number: DVE53BB8900T

Electric Dryer UPC: 887276657264

Gas Dryer Model Number: DVG53BB8900T

Gas Dryer UPC: 887276657325



### Brushed Navy

Electric Dryer Model Number: DVE53BB8900D

Electric Dryer UPC: 887276657257

Gas Dryer Model Number: DVG53BB8900D

Gas Dryer UPC: 887276657318



### Forest Green

Electric Dryer Model Number: DVE53BB8900G

Electric Dryer UPC: 887276711645

Gas Dryer Model Number: DVG53BB8900G

Gas Dryer UPC: 887276711669



# Carousel Image Order

## Electric Dryer - DVE53BB8900T



# Carousel Image Order

## Gas Dryer - DVG53BB8900T



# Carousel Image Order

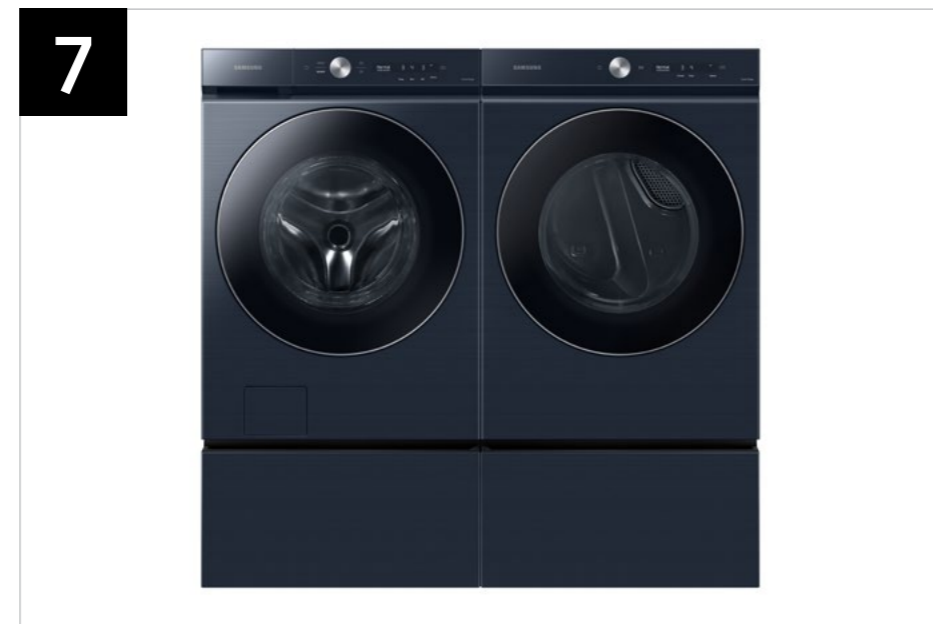
## Electric Dryer - DVE53BB8900D





# Carousel Image Order

## Gas Dryer - DVG53BB8900D



# Carousel Image Order

## Electric Dryer - DVE53BB8900G



# Carousel Image Order

## Gas Dryer - DVG53BB8900G






# Product Messaging

---




**DVE53BB8900T / DVG53BB8900T**  
**DVE53BB8900D / DVG53BB8900D**  
**DVE53BB8900G / DVG53BB8900G**

**Bespoke 7.6 cu. ft. Ultra Capacity Electric Dryer with AI Optimal Dry and Super Speed Dry**  
**Bespoke 7.6 cu. ft. Ultra Capacity Gas Dryer with AI Optimal Dry and Super Speed Dry**




## Features and Benefits: DVE(G)53BB8900\*

Headline	Feature Name	Long Body Copy	Short Body Copy	Associated Image
<p><b>Bespoke design, intelligent dry</b></p>	<p>N/A</p>	<p>Laundry reimaged with a clean, flat-panel design and AI-powered features that simplify your cleaning routine. Choose from a variety of premium colors to create a laundry space that fits your style.</p>	<p>Flat-panel design, AI-powered features, and a variety of premium colors.</p>	
<p><b>Drying, simplified</b></p>	<p><b>AI Optimal Dry</b></p>	<p>Our AI Optimal Dry cycle automatically chooses the best time and temperature settings based on what you're drying,* taking guesswork out of cycle selection. *Based on AI-created algorithm.</p>	<p>Automatically chooses the best settings based on what you're drying.* *Based on AI-created algorithm.</p>	
<p><b>Dry a full load in 30 minutes*</b> *Based on 8lb D.O.E. standard load (50% cotton, 50% poly).</p>	<p><b>Super Speed Dry</b></p>	<p>Dry a full load in just 30 minutes* and achieve a complete wash and dry in under an hour with an added Super Speed Washer. *Based on 8lb D.O.E. standard load (50% cotton, 50% poly).</p>	<p>Dry in just 30 minutes* and achieve a complete wash and dry in under an hour with an added Super Speed Washer. *Based on 8lb D.O.E. standard load (50% cotton, 50% poly).</p>	

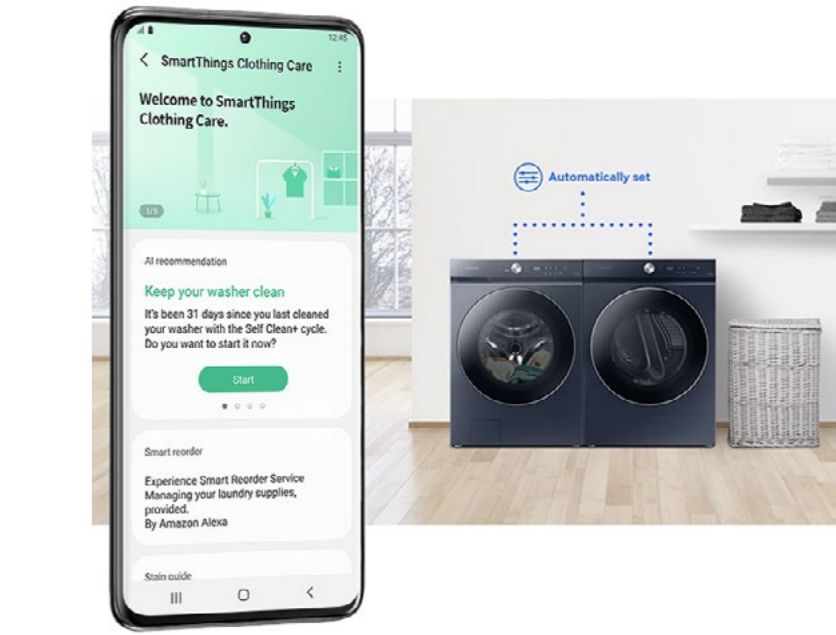


## Features and Benefits: DVE(G)53BB8900\* (Continued)

Headline	Feature Name	Long Body Copy	Short Body Copy	Associated Image
<p><b>Make your laundry routine more simple</b></p>	<p><b>AI Smart Dial</b></p>	<p>Samsung's easy to use, AI Smart Dial simplifies your dryer's control panel, learns and recommends your favorite cycles,* and allows you to customize your cycle list, making laundry day a breeze.</p> <p><small>*AI Smart Dial makes recommendations within 30 days of use based on cycle selections, time selected, and other factors.</small></p>	<p>Samsung's easy to use, AI Smart Dial simplifies your dryer's control panel and makes laundry day a breeze.</p>	
<p><b>Controls within reach</b></p>	<p><b>MultiControl™</b></p>	<p>Eliminate the long reach and control your dryer right from your washer when the units are stacked.*</p> <p><small>*Use of this feature requires a stacked AI Smart Dial washer and dryer and Bespoke Stacking &amp; MultiControl™ Combo Kit (SKK-9MC*), which is sold separately.</small></p>	<p>Control your dryer right from your washer when the units are stacked.*</p> <p><small>*Use of this feature requires a stacked AI Smart Dial washer and dryer and Bespoke Stacking &amp; MultiControl™ Combo Kit (SKK-9MC*), which is sold separately.</small></p>	
<p><b>Freshen up clothes</b></p>	<p><b>Steam Sanitize+</b></p>	<p>Our Steam Sanitize+ cycle removes 95% of pollen* from fabric, while Multi-Steam refreshes clothing and relaxes light wrinkles.</p> <p><small>*Testing based on Samsung internal protocols. Results provided to and interpreted by Intertek. Individual results may vary.</small></p>	<p>Removes 95% of pollen from fabric,* relaxes light wrinkles, and refreshes clothing.</p> <p><small>*Testing based on Samsung internal protocols. Results provided to and interpreted by Intertek. Individual results may vary.</small></p>	

## Features and Benefits: DVE(G)53BB8900\* (Continued)




Headline	Feature Name	Long Body Copy	Short Body Copy	Associated Image
N/A	<b>ENERGY STAR® Certified</b>	ENERGY STAR® Certified,* so you use less energy without sacrificing performance or functionality. <small>*Visit <a href="http://www.energystar.gov">www.energystar.gov</a> for more information on ENERGY STAR® guidelines.</small>	Eco-friendly and energy-efficient.	
<b>Space-saving design</b>	<b>Shallow Closet-Depth Fit*</b> <small>*Designed to fit a 38" installation depth.</small>	Perfect for any laundry space, this dryer has a shallower depth for easy closet installation,* without sacrificing capacity. <small>*Designed to fit a 38" installation depth.</small>	A shallower depth allows for easy closet installation* without sacrificing capacity. <small>*Designed to fit a 38" installation depth.</small>	
<b>Fits any space</b>	<b>Flexible Installation</b>	Install your washer and dryer stacked or side by side to fit any space.	Your choice, stacked or side by side.	

## Features and Benefits: DVE(G)53BB8900\* (Continued)




Headline	Feature Name	Long Body Copy	Short Body Copy	Associated Image
<p><b>Control in the palm of your hand</b></p>	<p><b>Wi-Fi Connectivity</b></p>	<p>Wi-Fi connected so you can get end-of-cycle alerts, remotely start and stop your dryer, schedule cycles on your time, and more right from your smartphone with the SmartThings App.*</p> <p><small>*Requires wireless network, Samsung account and SmartThings App. The Samsung SmartThings App supports Android OS 4.0 (ICS) or later which is optimized for Samsung smartphones (Galaxy S and Galaxy Note series). This app also supports iOS 7 or later for iPhone models. SmartThings App available in App Store and Play Store. Only monitoring enabled on Gas Dryers for safety reasons.</small></p>	<p>Get end of cycle alerts, remotely start, schedule and more from your smartphone with the SmartThings App.*</p> <p><small>*Requires wireless network, Samsung account and SmartThings App. The Samsung SmartThings App supports Android OS 4.0 (ICS) or later which is optimized for Samsung smartphones (Galaxy S and Galaxy Note series). This app also supports iOS 7 or later for iPhone models. SmartThings App available in App Store and Play Store. Only monitoring enabled on Gas Dryers for safety reasons.</small></p>	
<p><b>Worry-free drying</b></p>	<p><b>Sensor Dry</b></p>	<p>Automatically optimizes the time and temperature of your drying cycle to protect your clothes from heat damage, while avoiding excess energy use.</p>	<p>Helps prevent overdrying for optimal fabric care.</p>	
<p><b>Dry more items in a single load</b></p>	<p><b>7.6 cu. ft. Ultra Capacity</b></p>	<p>Fewer loads, less time in the laundry room, and more time doing the things you love.</p>	<p>Fewer loads, less time in the laundry room.</p>	






## Features and Benefits: DVE(G)53BB8900\* (Continued)

Headline	Feature Name	Long Body Copy	Short Body Copy	Associated Image
<p><b>Cleaner, safer vents</b></p>	<p><b>Vent Sensor</b></p>	<p>A sensor continuously monitors the condition of your dryer's air duct to make sure it's running safely and efficiently. Plus, automatic alerts let you know when it's time to clean your air duct or check for obstructions so performance stays at its peak.</p>	<p>Continuously monitors the condition of your dryer's air duct to make sure it's running safely and efficiently.</p>	
<p><b>Stop the fluff</b></p>	<p><b>Lint Filter Indicator</b></p>	<p>Worry less about lint or fluff blocking the dryer's air intake. The control panel provides a helpful reminder to clean the filter to keep your dryer running smoothly.</p>	<p>The control panel lets you know when it's time to clean the filter.</p>	
<p><b>Materials that last</b></p>	<p><b>Stainless Steel Drum</b></p>	<p>Keep your dryer looking like new with a durable stainless steel drum that helps prevent nicks and scratches.</p>	<p>A durable stainless steel drum helps prevent nicks and scratches.</p>	


## Features and Benefits: DVE(G)53BB8900\* (Continued)

Headline	Feature Name	Long Body Copy	Short Body Copy	Associated Image
<p><b>Beautiful design, built to last</b></p>	<p><b>Premium Tempered Glass Door</b></p>	<p>Made with a more scratch-resistant, flat tempered glass, our premium design door combines an upscale look with a durable finish.</p>	<p>A more scratch-resistant tempered glass door combines an upscale look with a durable finish.</p>	
<p><b>Put an end to stray socks</b></p>	<p><b>Internal Drum Light</b></p>	<p>An internal drum light lets you see the contents of your dryer more clearly, meaning fewer missed socks or small items.</p>	<p>An internal drum light lets you see the contents of your dryer more clearly.</p>	
<p><b>N/A</b></p>	<p><b>Drying Rack</b></p>	<p>The included drying rack provides a perfect place to gently dry delicate items, sweaters and footwear.</p>	<p>The included drying rack provides a perfect place to gently dry delicate items.</p>	

## Features and Benefits: DVE(G)53BB8900\* (Continued)

Headline	Feature Name	Long Body Copy	Short Body Copy	Associated Image
<p><b>Flexible opening</b></p>	<p><b>Reversible Dryer Door</b></p>	<p>Choose which way your dryer door opens to better suit your laundry room layout.</p>	<p>Choose which way your dryer door opens.</p>	
<p><b>Easier use, for everyone</b></p>	<p><b>ADA Compliant</b></p>	<p>With use of a Samsung Riser,* your washer or dryer is compliant with the Americans with Disabilities Act (ADA), making loading and unloading much easier.</p> <p><small>*ADA Compliant when using 27" wide riser. (Riser model codes: WE272NV, WE272NW, WE272NC)</small></p>	<p>Designed for easy use for everyone.*</p> <p><small>*ADA Compliant when using 27" wide riser. (Riser model codes: WE272NV, WE272NW, WE272NC)</small></p>	
<p><b>Perfect pair</b></p>	<p><b>Matching Washer</b></p>	<p>Samsung washers and dryers team up to make light work of laundry day.</p>	<p>N/A</p>	

## Features and Benefits: DVE(G)53BB8900\* (Continued)

Headline	Feature Name	Long Body Copy	Short Body Copy	Associated Image
N/A	Matching Accessories	Round out your laundry setup with a matching pedestal, riser, and more.	N/A	

# Product Specs

---

**DVE53BB8900T / DVG53BB8900T**  
**DVE53BB8900D / DVG53BB8900D**  
**DVE53BB8900G / DVG53BB8900G**


**Bespoke 7.6 cu. ft. Ultra Capacity Electric Dryer with AI Optimal Dry and Super Speed Dry**  
**Bespoke 7.6 cu. ft. Ultra Capacity Gas Dryer with AI Optimal Dry and Super Speed Dry**

## Related Products and Accessories

Bespoke Washer Series	Bespoke Pedestal	Bespoke Stacking & MultiControl™ Combo Kit	Gas to Propane Converter Kit	Side Vent Kit
WF53BB8900AT WF53BB8900AD WF53BB8900AG	WE502NT WE502ND WE502NG	SKK-9MCT SKK-9MCD SKK-9MCG	LPKIT-4	DV-2A

# Spec Sheet

**DVE53BB8900**  
Bespoke 7.6 cu. ft. Ultra Capacity Electric Dryer with AI Optimal Dry and Super Speed Dry



**Available Colors**

- Silver Steel DVE53BB8900T
- Brushed Navy DVE53BB8900D
- Forest Green DVE53BB8900G

**Features**

- Bespoke Design
- AI Optimal Dry
- Super Speed Dry
- AI Smart Dial
- MultiControl™
- Steam Sanitize+
- ENERGY STAR® Certified
- Shallow Closet-Depth Fit¹
- Flexible Installation
- Wi-Fi Connectivity²
- Sensor Dry
- 7.6 cu. ft. Ultra Capacity
- Vent Sensor
- Lint Filter Indicator
- Stainless Steel Drum
- Premium Tempered Glass Door
- Internal Drum Light
- Drying Rack
- Reversible Dryer Door
- ADA Compliant¹
- 20 Total Drying Cycles
- 14 Options
- 5 Temperature Settings
- 4-Way Venting

**Specifications**

**20 Preset Drying Cycles:** Steam Refresh, Wrinkle Away, Steam Sanitize+, AI Optimal Dry, Super Speed, Eco Normal, Delicates, Normal, Heavy Duty, Towels, Permanent Press, Activewear, Bedding, Wool, Shirts, Denim, Time Dry, Air Fluff, Small Load, Rack Dry

**14 Options:** Damp Alert, Wrinkle Prevent, AntiStatic, My Cycles, Smart Control, Eco Dry, Drum Light, Child Lock, Alarm, AI Pattern, Wi-Fi, Language, Vent Blockage Test, Factory Reset

**5 Temperature Settings:** High, Medium, Medium Low, Low, Extra Low

**5 Dry Levels:** Very Dry, More Dry, Normal Dry, Less Dry, Damp Dry

**Warranty**  
Two (2) Years Parts and Labor\*  
\*Effective for purchases made between 10/1/22 - 9/30/23; proof of purchase required.

**Product Dimensions & Weight (WxHxD)**  
Dimensions: 27" x 38 1/2" x 31 1/8"  
Weight: 121.3 lbs

**Shipping Dimensions & Weight (WxHxD)**  
Dimensions: 29 1/8" x 42 1/8" x 34 1/16"  
Weight: 130.1 lbs

Electric Dryer	Model #	UPC Code	Optional Accessories	Model #	UPC Code
Silver Steel	DVE53BB8900T	887276657264	Silver Steel Pedestal	WE502NT	887276665283
Brushed Navy	DVE53BB8900D	887276657257	Brushed Navy Pedestal	WE502ND	887276665276
Forest Green	DVE53BB8900G	887276711645	Forest Green Pedestal	WE502NG	887276711676
			Silver Steel Bespoke Stacking and MultiControl™ Combo Kit	SKK-9MCT	887276667379
			Brushed Navy Bespoke Stacking and MultiControl™ Combo Kit	SKK-9MCD	887276667362
			Forest Green Bespoke Stacking and MultiControl™ Combo Kit	SKK-9MCG	887276712819
			Vent Kit	DV-2A	887276146416

**Gas Dryer**

Model #	UPC Code
DVG53BB8900T	887276657325
DVG53BB8900D	887276657318
DVG53BB8900G	887276711669

**Matching Washer**

Model #	UPC Code
WF53BG8900AT	887276652269
WF53BG8900AD	887276652252
WF53BB8900AG	887276711881

**Ratings**  
ENERGY STAR® Rated:  
608 kWh/yr

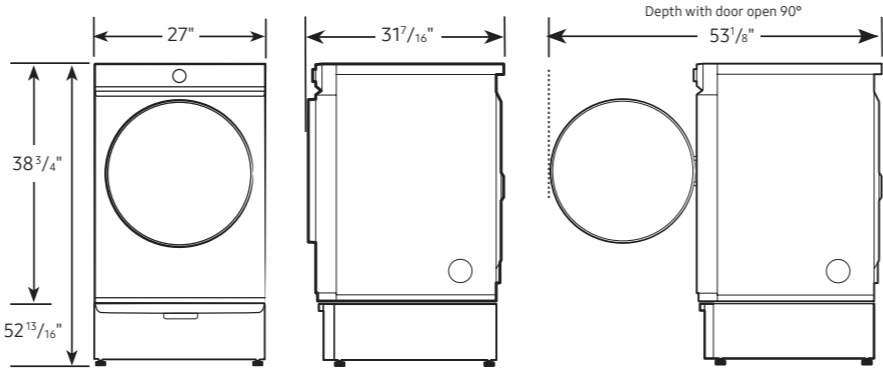
**Electrical Requirements**  
240 V / 60 Hz  
30 Amps

¹Designed to fit a 38" installation depth.  
²Requires wireless network, Samsung account and SmartThings App. The Samsung SmartThings App supports Android OS 4.0 (ICS) or later which is optimized for Samsung smartphones (Galaxy S and Galaxy Note series). This app also supports iOS 7 or later for iPhone models. SmartThings App available in App Store and Play Store. Only monitoring enabled on Gas Dryers for safety reasons.  
³ADA Compliant when using 27" wide riser. (Riser model codes: WE272NV, WE272NW, WE272NC)

**SAMSUNG**

Electric Dryer Spec Sheet - page 1

**DVE53BB8900**  
Bespoke 7.6 cu. ft. Ultra Capacity Electric Dryer with AI Optimal Dry and Super Speed Dry

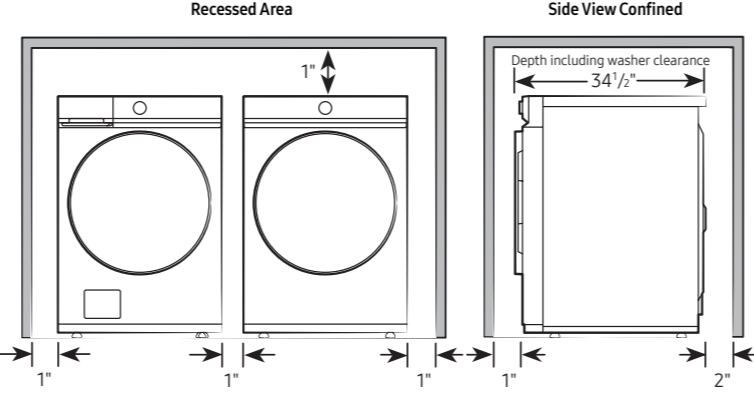


**Dimensions**  
Required dimensions for installation with pedestal:

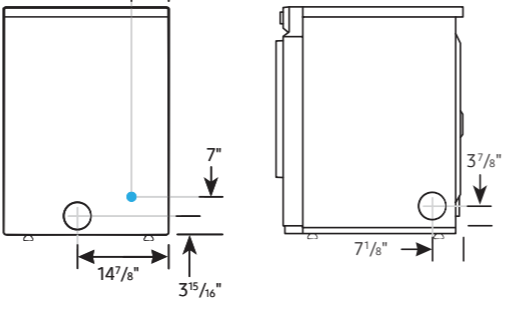
Front view: 27" width, 38 1/2" height, 52 1/8" depth.  
Side view: 31 1/8" depth.  
Depth with door open 90°: 53 1/8" depth.

**Installation Specifications – Side-by-Side**  
If the washer and dryer are installed together or the dryer alone, the closet front must have two unobstructed air openings for a combined minimum total area of 72-inch². Your washer alone does not require a specific air opening.

**Alcove or closet installation**  
Minimum clearance for closet and alcove installations:



**Connection Dimensions**  
Back and side view of dryer



**LEGEND:**  
● Cold Water Connection  
● Hot Water Connection

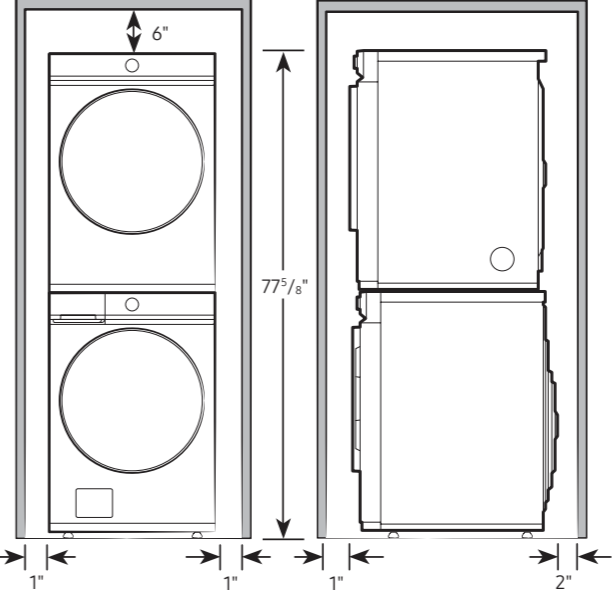
Actual color may vary. Design, specifications, and color availability are subject to change without notice. Non-metric weights and measurements are approximate.  
©2022 Samsung Electronics America, Inc. 85 Challenger Road, Ridgefield Park, NJ 07660. Tel: 800-SAMSUNG, samsung.com. Samsung is a registered trademark of Samsung Electronics Co., Ltd.

**SAMSUNG**

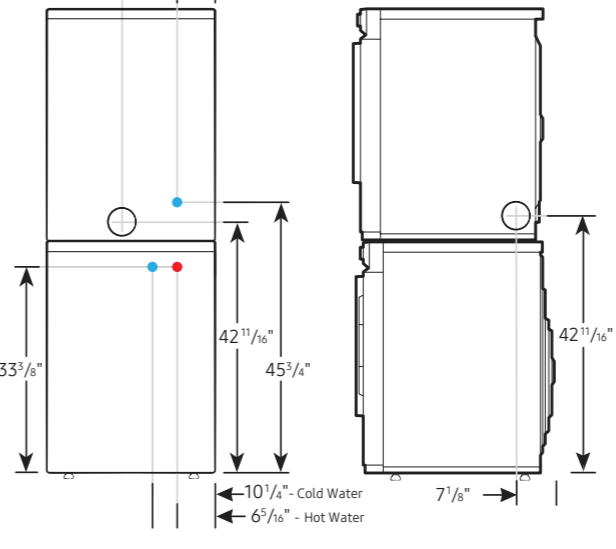
Electric Dryer Spec Sheet - page 2

**DVE53BB8900**  
Bespoke 7.6 cu. ft. Ultra Capacity Electric Dryer with AI Optimal Dry and Super Speed Dry

**Installation Specifications – Stacked Pair**  
Clearances indicated are for stacked pairs. The closet front must have two unobstructed air openings for a combined minimum total area of 72-inch².



**Connection Dimensions**  
Back and side views of stacked pair



**LEGEND:**  
● Cold Water Connection  
● Hot Water Connection


Actual color may vary. Design, specifications, and color availability are subject to change without notice. Non-metric weights and measurements are approximate.  
©2022 Samsung Electronics America, Inc. 85 Challenger Road, Ridgefield Park, NJ 07660. Tel: 800-SAMSUNG, samsung.com. Samsung is a registered trademark of Samsung Electronics Co., Ltd.

**SAMSUNG**

Electric Dryer Spec Sheet - page 3

# Spec Sheet

**DVG53BB8900**  
Bespoke 7.6 cu. ft. Ultra Capacity Gas Dryer with AI Optimal Dry and Super Speed Dry



**Available Colors**

- Silver Steel DVG53BB8900T
- Brushed Navy DVG53BB8900D
- Forest Green DVG53BB8900G

**Features**

- Bespoke Design
- AI Optimal Dry
- Super Speed Dry
- AI Smart Dial
- MultiControl™
- Steam Sanitize+
- ENERGY STAR® Certified
- Shallow Closet-Depth Fit¹
- Flexible Installation
- Wi-Fi Connectivity²
- Sensor Dry
- 7.6 cu. ft. Ultra Capacity
- Vent Sensor
- Lint Filter Indicator
- Stainless Steel Drum
- Premium Tempered Glass Door
- Internal Drum Light
- Drying Rack
- Reversible Dryer Door
- ADA Compliant³
- 20 Total Drying Cycles
- 14 Options
- 5 Temperature Settings
- 3-Way Venting

**Specifications**

**20 Preset Drying Cycles:** Steam Refresh, Wrinkle Away, Steam Sanitize+, AI Optimal Dry, Super Speed, Eco Normal, Delicates, Normal, Heavy Duty, Towels, Permanent Press, Activewear, Bedding, Wool, Shirts, Denim, Time Dry, Air Fluff, Small Load, Rack Dry

**5 Dry Levels:** Very Dry, More Dry, Normal Dry, Less Dry, Damp Dry

**Warranty**  
Two (2) Years Parts and Labor\*  
\*Effective for purchases made between 10/1/22 - 9/30/23; proof of purchase required.

**Product Dimensions & Weight (WxHxD)**  
Dimensions: 27" x 38 1/4" x 31 1/8"  
Weight: 121.3 lbs

**Shipping Dimensions & Weight (WxHxD)**  
Dimensions: 29 1/8" x 42 1/8" x 34 1/8"  
Weight: 130.1 lbs

**14 Options:** Damp Alert, Wrinkle Prevent, AntiStatic, My Cycles, Smart Monitor, Eco Dry, Drum Light, Child Lock, Alarm, AI Pattern, Wi-Fi, Language, Vent Blockage Test, Factory Reset

**5 Temperature Settings:** High, Medium, Medium Low, Low, Extra Low

Gas Dryer	Model #	UPC Code
Silver Steel	DVG53BB8900T	887276657325
Brushed Navy	DVG53BB8900D	887276657318
Forest Green	DVG53BB8900G	887276711669

Optional Accessories	Model #	UPC Code
Silver Steel Pedestal	WES02NT	887276665283
Brushed Navy Pedestal	WES02ND	887276665290
Forest Green Pedestal	WES02NG	887276711676
Silver Steel Bespoke Stacking and MultiControl™ Combo Kit	SKK-9MCT	887276667379
Brushed Navy Bespoke Stacking and MultiControl™ Combo Kit	SKK-9MCD	887276667362
Forest Green Bespoke Stacking and MultiControl™ Combo Kit	SKK-9MCG	887276712819
Vent Kit	DI-2A	887276146416
Gas to Propane Converter Kit	LPKIT-4	887276352787

**SAMSUNG**

**Convenience**

- Child Lock
- Filter Check Indicator

**Electrical Requirements**

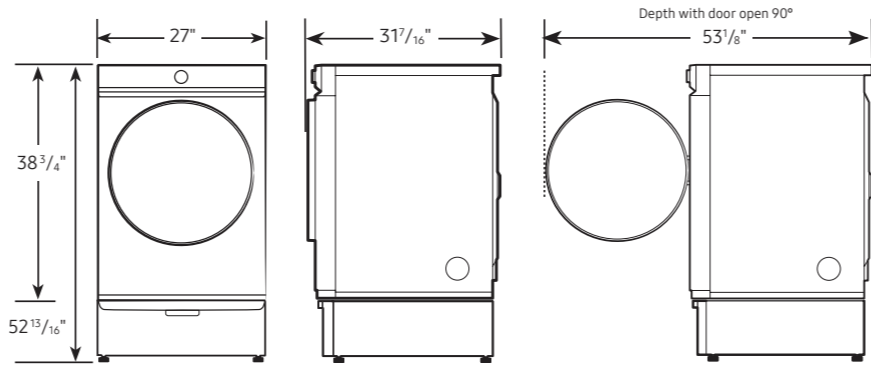
120 V / 60 Hz  
15 Amps



¹Designed to fit a 38" installation depth.  
²Requires wireless network, Samsung account and SmartThings App. The Samsung SmartThings App supports Android OS 4.0 (ICS) or later which is optimized for Samsung smartphones (Galaxy S and Galaxy Note series). This app also supports iOS 7 or later for iPhone models. SmartThings App available in App Store and Play Store. Only monitoring enabled on Gas Dryers for safety reasons.  
³ADA Compliant when using 27" wide riser. (Riser model codes: WE272NV, WE272NW, WE272NC)

Gas Dryer Spec Sheet - page 1

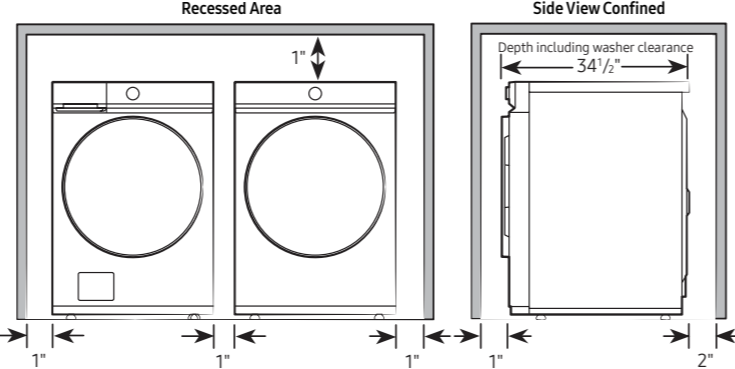
**DVG53BB8900**  
Bespoke 7.6 cu. ft. Ultra Capacity Gas Dryer with AI Optimal Dry and Super Speed Dry



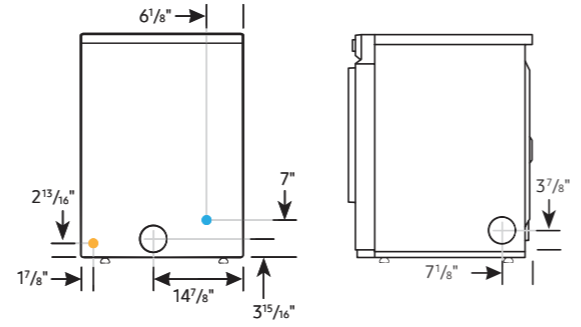
**Dimensions**  
Required dimensions for installation with pedestal:

**Installation Specifications – Side-by-Side**  
If the washer and dryer are installed together or the dryer alone, the closet front must have two unobstructed air openings for a combined minimum total area of 72-inch². Your washer alone does not require a specific air opening.

**Alcove or closet installation**  
Minimum clearance for closet and alcove installations:



**Connection Dimensions**  
Back and side view of dryer:



**LEGEND:**

- Cold Water Connection
- Hot Water Connection
- Gas Connection

Actual color may vary. Design, specifications, and color availability are subject to change without notice. Non-metric weights and measurements are approximate.

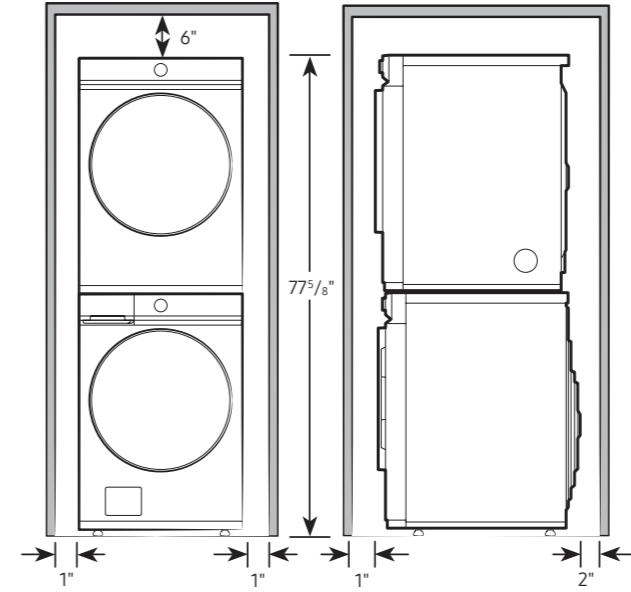
©2022 Samsung Electronics America, Inc.  
85 Challenger Road, Ridgefield Park, NJ 07660.  
Tel: 800-SAMSUNG, samsung.com. Samsung is a registered trademark of Samsung Electronics Co., Ltd.

**SAMSUNG**

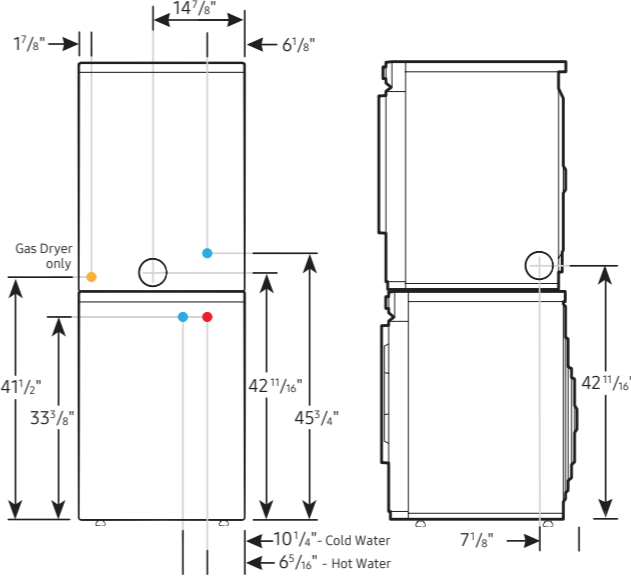
Gas Dryer Spec Sheet - page 2

**DVG53BB8900**  
Bespoke 7.6 cu. ft. Ultra Capacity Gas Dryer with AI Optimal Dry and Super Speed Dry

**Installation Specifications – Stacked Pair**  
Clearances indicated are for stacked pairs. The closet front must have two unobstructed air openings for a combined minimum total area of 72-inch².



**Connection Dimensions**  
Back and side views of stacked pair:



**LEGEND:**

- Cold Water Connection
- Hot Water Connection
- Gas Connection

Actual color may vary. Design, specifications, and color availability are subject to change without notice. Non-metric weights and measurements are approximate.

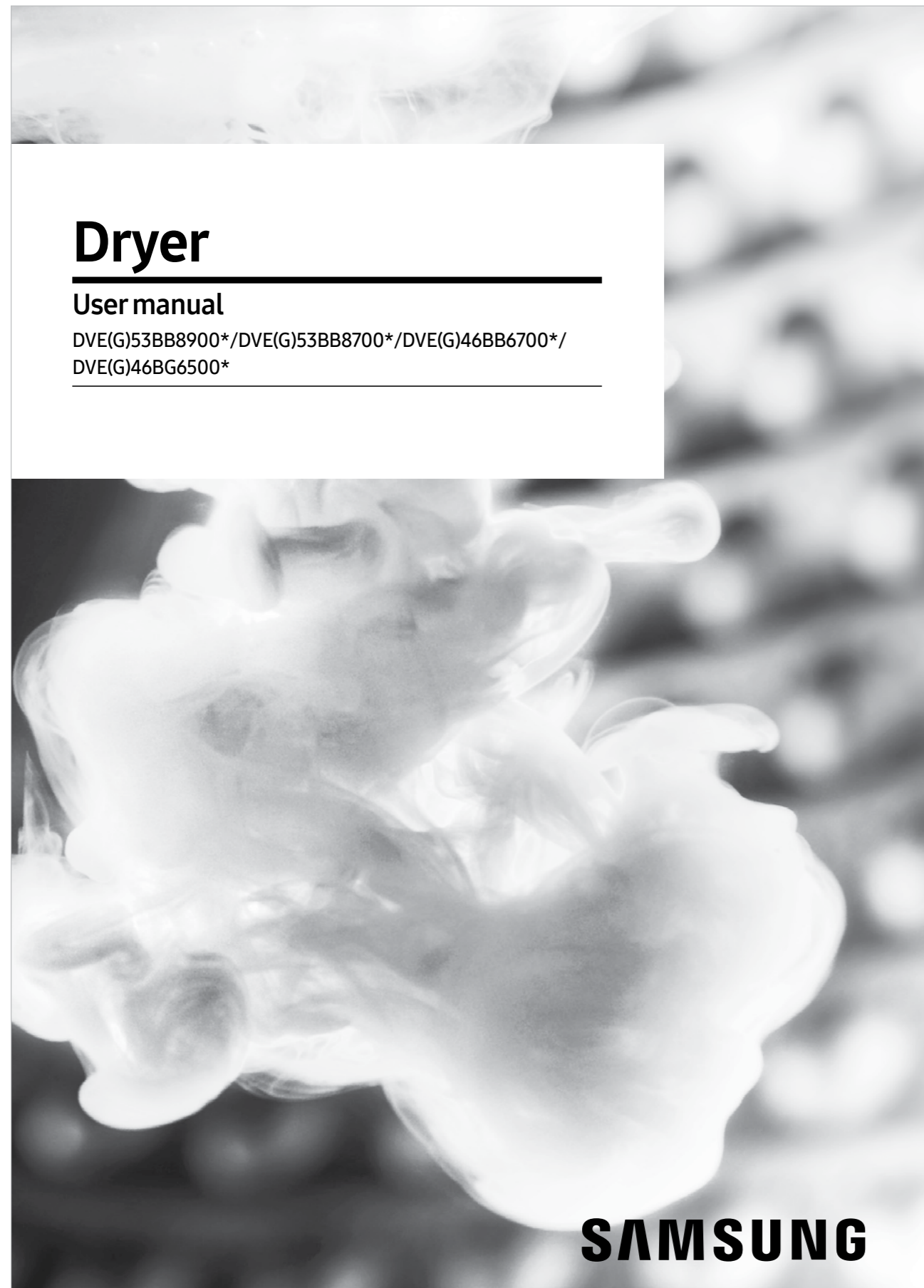
©2022 Samsung Electronics America, Inc.  
85 Challenger Road, Ridgefield Park, NJ 07660.  
Tel: 800-SAMSUNG, samsung.com. Samsung is a registered trademark of Samsung Electronics Co., Ltd.

**SAMSUNG**

Gas Dryer Spec Sheet - page 3



# User Manual and Warranty



User Manual - Electric and Gas Dryers

## LIMITED WARRANTY (U.S.A.) – SAMSUNG DRYER

### Models:

DVE(G)53BB8900T  
DVE(G)53BB8900D  
DVE(G)53BB8900G

### LIMITED WARRANTY TO ORIGINAL PURCHASER WITH PROOF OF PURCHASE

This SAMSUNG brand product, as supplied and distributed by SAMSUNG ELECTRONICS AMERICA INC. (SAMSUNG) and delivered new, in the original carton to the original consumer purchaser, is warranted by SAMSUNG against manufacturing defects in materials or workmanship for the limited warranty period, starting from the date of original purchase, of:

#### One (1) Year Parts and Labor

This limited warranty is valid only on products purchased and used in the United States that have been installed, operated, and maintained according to the instructions attached to or furnished with the product. To receive warranty service, the purchaser must contact SAMSUNG at the address or phone number provided below for problem determination and service procedures. Warranty service can only be performed by a SAMSUNG authorized service center. The original dated bill of sale must be presented upon request as proof of purchase to SAMSUNG or SAMSUNG's authorized service center to receive warranty service.

SAMSUNG will provide in-home service within the contiguous United States during the warranty period at no charge, subject to availability of SAMSUNG authorized servicers within the customer's geographic area. If in-home service is not available, SAMSUNG may elect, at its option, to provide transportation of the product to and from an authorized service center. If the product is located in an area where service by a SAMSUNG authorized servicer is not available, you may be responsible for a trip charge or required to bring the product to a SAMSUNG authorized service center for service.

To receive in-home service, product must be unobstructed and accessible to the service agent.

During the applicable warranty period, a product will be repaired, replaced, or the purchase price refunded, at the sole option of SAMSUNG. SAMSUNG may use new or reconditioned parts in repairing a product, or replace the product with a new or reconditioned product. Replacement parts and products are warranted for the remaining portion of the original product's warranty or ninety (90) days, whichever is longer. All replaced parts and products are the property of SAMSUNG and you must return them to SAMSUNG.

Warranty - Electric and Gas Dryers

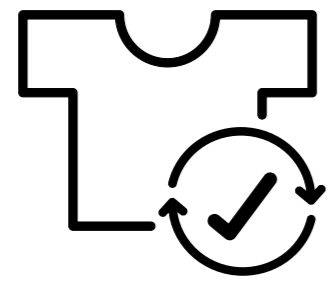
# Feature Icons

---

**DVE53BB8900T / DVG53BB8900T**  
**DVE53BB8900D / DVG53BB8900D**  
**DVE53BB8900G / DVG53BB8900G**

**Bespoke 7.6 cu. ft. Ultra Capacity Electric Dryer with AI Optimal Dry and Super Speed Dry**  
**Bespoke 7.6 cu. ft. Ultra Capacity Gas Dryer with AI Optimal Dry and Super Speed Dry**

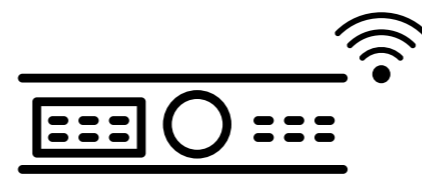
# Feature Icons



AI Optimal Dry



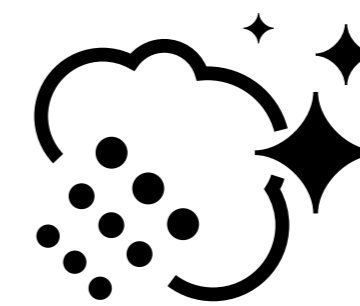
Super Speed Dry



AI Smart Dial



MultiControl™



Steam Sanitize+



ENERGY STAR®  
Certified

# Product Overview

---

**DV53BB8900HDA2**

**Bespoke 7.8 cu. ft. Ultra Capacity Ventless Hybrid  
Heat Pump Dryer with AI Optimal Dry**

# Product Overview

## Product Title

DV53BB8900HDA2 - Bespoke 7.8 cu. ft. Ultra Capacity Ventless Hybrid Heat Pump Dryer with AI Optimal Dry

## Heat Pump Dryer Description (329 Characters)

Samsung's Bespoke Ultra Capacity Ventless Hybrid Heat Pump Dryer uses up to 50% less energy,\* offering a more efficient, cost-effective, and gentle way to dry your clothes. It has a sleek, flat-panel design, and is equipped with AI Optimal Dry, which uses 9 sensors to automatically sense temperature and humidity inside the drum.\*\*

\*Tested in accordance with Department of Energy automatic termination test procedure, (also known as D2), normal cycle, 8.45 lb load with Ventless Hybrid Heat Pump (DV53BB8900HDA2) vs. Vent (DVE53BB8900\*A3). Actual results may vary depending on individual use.

\*\*Based on AI-created algorithm.

## Easy Ads Link

**Brushed Navy Heat Pump Dryer:** <https://dam.gettyimages.com/p/z0c3461/digital-appliances?o=AND&q=DV53BB8900HDA2>

## Available Color



## Brushed Navy

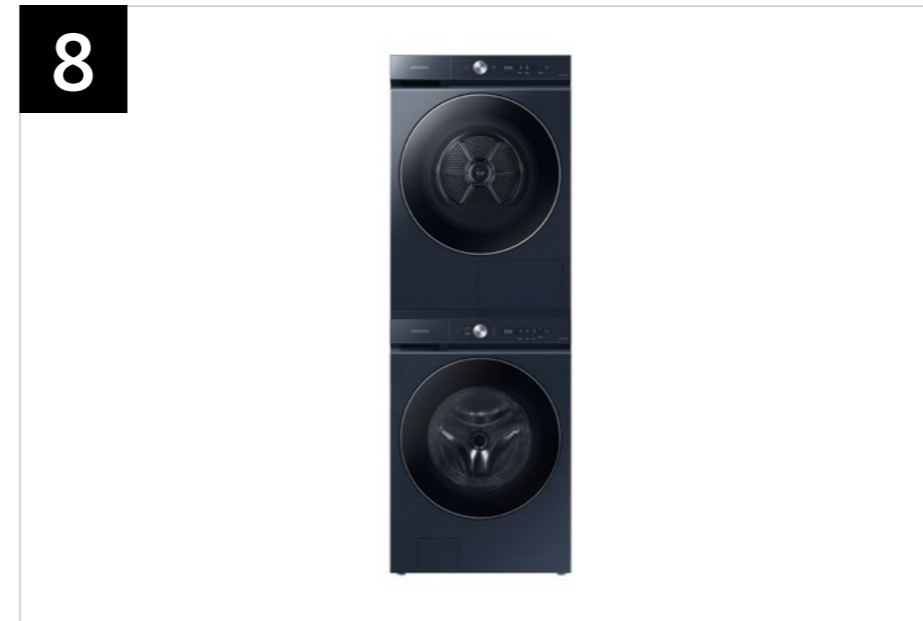
Heat Pump Dryer Model Number: DV53BB8900HDA2

Heat Pump Dryer UPC: 887276716268



# Carousel Image Order

## Heat Pump Dryer - DV53BB8900HDA2





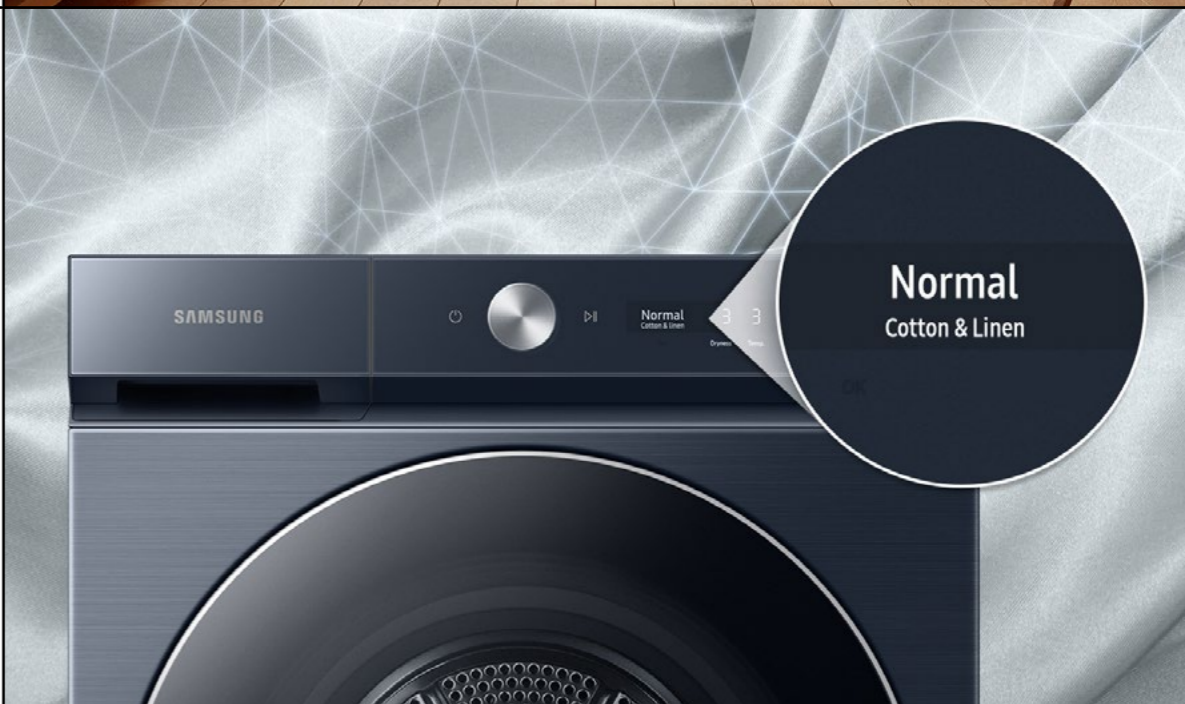
# Product Messaging

---

**DV53BB8900HDA2**




**Bespoke 7.8 cu. ft. Ultra Capacity Ventless Hybrid  
Heat Pump Dryer with AI Optimal Dry**

## Heat Pump Dryer Features and Benefits: DV53BB8900HDA2




Headline	Feature Name	Long Body Copy	Short Body Copy	Associated Image
<p><b>Use up to 50% less energy*</b></p>	<p><b>Ventless Hybrid Heat Pump</b></p>	<p>Ventless Hybrid Heat Pump Technology uses up to 50% less energy,* meaning a more efficient and cost-effective way to dry your laundry. Plus, its ventless design allows for simple installation in a variety of places.</p> <p><small>*Tested in accordance with Department of Energy automatic termination test procedure, (also known as D2), normal cycle, 8.45 lb load with Ventless Hybrid Heat Pump (DV53BB8900HDA2) vs. Vent (DVE53BB8900*A3). Actual results may vary depending on individual use.</small></p>	<p>A ventless, more energy-efficient, cost-effective and gentle way to dry your clothes.</p>	
<p><b>Bespoke design, intelligent dry</b></p>	<p>N/A</p>	<p>Laundry reimagined with a clean, flat-panel design and AI-powered features that simplify your cleaning routine. Create a laundry space that fits your style with Bespoke AI Laundry.</p>	<p>Flat-panel design and AI-powered features that simplify your cleaning routine.</p>	
<p><b>Drying, simplified</b></p>	<p><b>AI Optimal Dry</b></p>	<p>Our AI Optimal Dry cycle uses 9 sensors to automatically sense temperature and humidity inside the drum,* making sure your laundry is optimally dried.</p> <p><small>*Based on AI-created algorithm.</small></p>	<p>Uses 9 sensors to automatically sense temperature and humidity inside the drum.*</p> <p><small>*Based on AI-created algorithm.</small></p>	




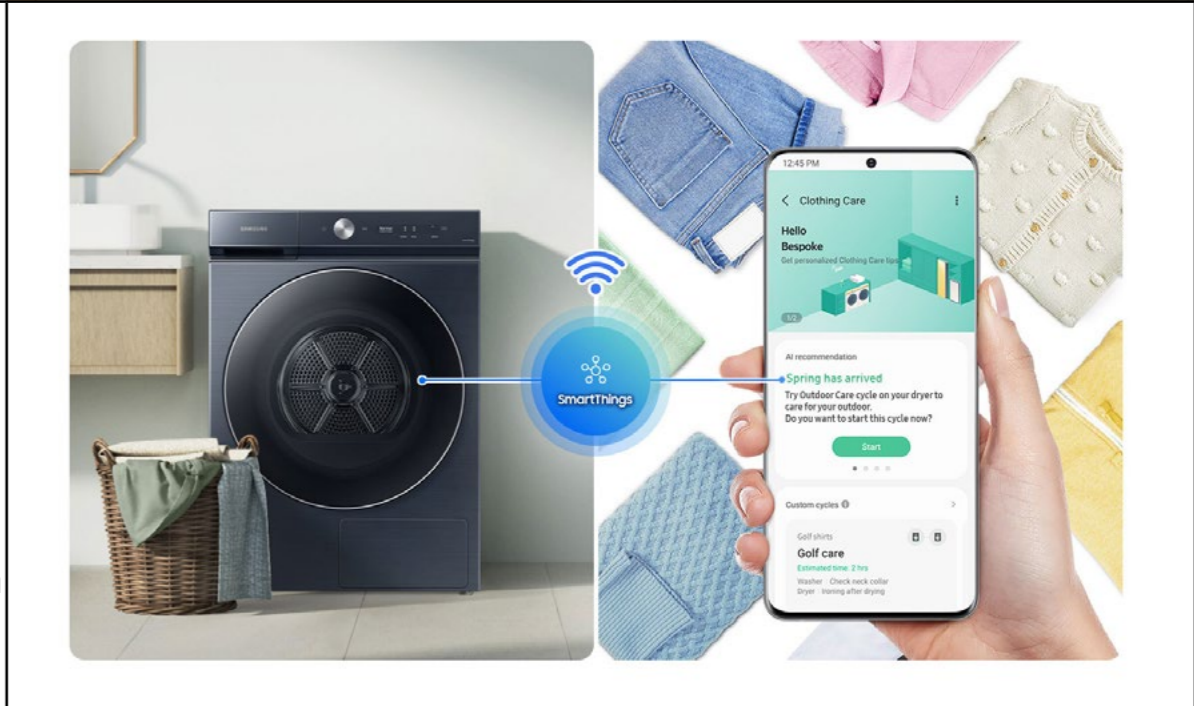

## Heat Pump Dryer Features and Benefits: DV53BB8900HDA2 (Continued)

Headline	Feature Name	Long Body Copy	Short Body Copy	Associated Image
<p><b>Make your laundry routine more simple</b></p>	<p><b>AI Smart Dial</b></p>	<p>Samsung's easy to use, AI Smart Dial simplifies your dryer's control panel, learns and recommends your favorite cycles,* and allows you to customize your cycle list, making laundry day a breeze.</p> <p><small>*AI Smart Dial makes recommendations within 30 days of use based on cycle selections, time selected, and other factors.</small></p>	<p>Samsung's easy to use, AI Smart Dial simplifies your dryer's control panel and makes laundry day a breeze.</p>	
<p><b>Controls within reach</b></p>	<p><b>MultiControl™</b></p>	<p>Eliminate the long reach and control your dryer right from your washer when the units are stacked.*</p> <p><small>*Use of this feature requires a stacked AI Smart Dial washer and dryer and Bespoke Heat Pump Stacking and MultiControl™ Combo Kit (SKK-9ALD), which is sold separately.</small></p>	<p>Control your dryer right from your washer when the units are stacked.*</p> <p><small>*Use of this feature requires a stacked AI Smart Dial washer and dryer and Bespoke Heat Pump Stacking and MultiControl™ Combo Kit (SKK-9ALD), which is sold separately.</small></p>	
<p><b>Refresh your laundry</b></p>	<p><b>Sanitize Cycle</b></p>	<p>Our Sanitize cycle uses high heat to help refresh clothing, linens, towels, baby clothes and more.</p>	<p>High heat helps refresh your laundry.</p>	




## Heat Pump Dryer Features and Benefits: DV53BB8900HDA2 (Continued)

Headline	Feature Name	Long Body Copy	Short Body Copy	Associated Image
<p><b>Keep your dryer fresh</b></p>	<p><b>Self Dry</b></p>	<p>Use the Self Dry cycle to remove excess moisture from the inside of the drum, to help keep your dryer smelling fresh.</p>	<p>Removes excess moisture from the drum and helps keep your dryer smelling fresh.</p>	
<p><b>N/A</b></p>	<p><b>ENERGY STAR® Certified</b></p>	<p>ENERGY STAR® Certified,* so you use less energy without sacrificing performance or functionality. *Visit <a href="http://www.energystar.gov">www.energystar.gov</a> for more information on ENERGY STAR® guidelines.</p>	<p>Eco-friendly and energy-efficient.</p>	
<p><b>Space-saving design</b></p>	<p><b>Shallow Closet-Depth Fit*</b> *Designed to fit a 38" installation depth.</p>	<p>Perfect for any laundry space, this dryer has a shallower depth for easy closet installation,* without sacrificing capacity. *Designed to fit a 38" installation depth.</p>	<p>A shallower depth allows for easy closet installation* without sacrificing capacity. *Designed to fit a 38" installation depth.</p>	




## Heat Pump Dryer Features and Benefits: DV53BB8900HDA2 (Continued)

Headline	Feature Name	Long Body Copy	Short Body Copy	Associated Image
<p><b>Fits any space</b></p>	<p><b>Flexible Installation</b></p>	<p>Install your washer and dryer stacked or side by side to fit any space.</p>	<p>Your choice, stacked or side by side.</p>	
<p><b>Control in the palm of your hand</b></p>	<p><b>Wi-Fi Connectivity</b></p>	<p>Wi-Fi connected so you can get end-of-cycle alerts, remotely start and stop your dryer, schedule cycles on your time, and more right from your smartphone with the SmartThings App.*</p> <p><small>*Requires wireless network, Samsung account and SmartThings App. The Samsung SmartThings App supports Android OS 4.0 (ICS) or later which is optimized for Samsung smartphones (Galaxy S and Galaxy Note series). This app also supports iOS 7 or later for iPhone models. SmartThings App available in App Store and Play Store.</small></p>	<p>Get end of cycle alerts, remotely start, schedule and more from your smartphone with the SmartThings App.*</p> <p><small>*Requires wireless network, Samsung account and SmartThings App. The Samsung SmartThings App supports Android OS 4.0 (ICS) or later which is optimized for Samsung smartphones (Galaxy S and Galaxy Note series). This app also supports iOS 7 or later for iPhone models. SmartThings App available in App Store and Play Store.</small></p>	
<p><b>Worry-free drying</b></p>	<p><b>Sensor Dry</b></p>	<p>Automatically optimizes the time and temperature of your drying cycle to protect your clothes from heat damage, while avoiding excess energy use.</p>	<p>Helps prevent overdrying for optimal fabric care.</p>	




## Heat Pump Dryer Features and Benefits: DV53BB8900HDA2 (Continued)

Headline	Feature Name	Long Body Copy	Short Body Copy	Associated Image
<p><b>Dry more items in a single load</b></p>	<p><b>7.8 cu. ft. Ultra Capacity</b></p>	<p>Fewer loads, less time in the laundry room, and more time doing the things you love.</p>	<p>Fewer loads, less time in the laundry room.</p>	
<p><b>Stop the fluff</b></p>	<p><b>Lint Filter Indicator</b></p>	<p>Worry less about lint or fluff blocking the dryer's air intake. The control panel provides a helpful reminder to clean the filter to keep your dryer running smoothly.</p>	<p>The control panel lets you know when it's time to clean the filter.</p>	
<p><b>Materials that last</b></p>	<p><b>Stainless Steel Drum</b></p>	<p>Keep your dryer looking like new with a durable stainless steel drum that helps prevent nicks and scratches.</p>	<p>A durable stainless steel drum helps prevent nicks and scratches.</p>	



## Heat Pump Dryer Features and Benefits: DV53BB8900HDA2 (Continued)

Headline	Feature Name	Long Body Copy	Short Body Copy	Associated Image
<p><b>Improved air circulation</b></p>	<p><b>360 Air Flow</b></p>	<p>360 Air Flow evenly distributes air throughout the drum during the cycle, ensuring powerful – yet gentle – drying performance.</p>	<p>N/A</p>	
<p><b>Reduced dust and hassle</b></p>	<p><b>3 Layered Filter System</b></p>	<p>Our 3 Layered Filter System helps trap dust and lint during the drying cycle for easy maintenance.</p>	<p>N/A</p>	
<p><b>Beautiful design, built to last</b></p>	<p><b>Premium Tempered Glass Door</b></p>	<p>Made with a more scratch-resistant, flat tempered glass, our premium design door combines an upscale look with a durable finish.</p>	<p>A more scratch-resistant tempered glass door combines an upscale look with a durable finish.</p>	

## Heat Pump Dryer Features and Benefits: DV53BB8900HDA2 (Continued)

Headline	Feature Name	Long Body Copy	Short Body Copy	Associated Image
<p><b>Put an end to stray socks</b></p>	<p><b>Internal Drum Light</b></p>	<p>An internal drum light lets you see the contents of your dryer more clearly, meaning fewer missed socks or small items.</p>	<p>An internal drum light lets you see the contents of your dryer more clearly.</p>	
<p><b>Flexible opening</b></p>	<p><b>Reversible Dryer Door</b></p>	<p>Choose which way your dryer door opens to better suit your laundry room layout.</p>	<p>Choose which way your dryer door opens.</p>	
<p><b>Easier use, for everyone</b></p>	<p><b>ADA Compliant</b></p>	<p>With use of a Samsung Riser,* your washer or dryer is compliant with the Americans with Disabilities Act (ADA), making loading and unloading much easier.</p> <p><small>*ADA Compliant when using 27" wide riser. (Riser model codes: WE272NV, WE272NW, WE272NC)</small></p>	<p>Designed for easy use for everyone.*</p> <p><small>*ADA Compliant when using 27" wide riser. (Riser model codes: WE272NV, WE272NW, WE272NC)</small></p>	

## Heat Pump Dryer Features and Benefits: DV53BB8900HDA2 (Continued)

Headline	Feature Name	Long Body Copy	Short Body Copy	Associated Image
Perfect pair	Matching Washer	Samsung washers and dryers team up to make light work of laundry day.	N/A	
N/A	Matching Accessories	Round out your laundry setup with a matching pedestal, riser, and more.	N/A	

# Product Specs

---

**DV53BB8900HDA2**

**Bespoke 7.8 cu. ft. Ultra Capacity Ventless Hybrid  
Heat Pump Dryer with AI Optimal Dry**



## Related Products and Accessories

Bespoke Washer Series	Bespoke Pedestal	Bespoke Heat Pump Stacking and MultiControl™ Combo Kit
WF53BB8900AD	WE502ND	SKK-9ALD

# Spec Sheet

**DV53BB8900HDA2**  
Bespoke 7.8 cu. ft. Ultra Capacity Ventless Hybrid Heat Pump Dryer with AI Optimal Dry



**Available Color**

**Brushed Navy**  
DV53BB8900HDA2

**Features**

- Ventless Hybrid Heat Pump<sup>1</sup>
- Bespoke Design
- AI Optimal Dry
- AI Smart Dial
- MultiControl™
- Sanitize
- Self Dry
- ENERGY STAR® Certified
- Shallow Closet-Depth Fit<sup>2</sup>
- Flexible Installation
- Wi-Fi Connectivity<sup>3</sup>
- Sensor Dry
- Large 7.8 cu. ft. Ultra Capacity
- Lint Filter Indicator
- Stainless Steel Drum
- 360 Air Flow
- 3 Layered Filter System
- Premium Tempered Glass Door
- Internal Drum Light
- Reversible Dryer Door
- ADA Compliant<sup>4</sup>
- 21 Total Drying Cycles
- 13 Options
- 4 Temperature Settings

**Specifications**

**21 Preset Drying Cycles:**  
AI Optimal Dry, Super Speed, Eco Normal, Normal, Towels, Permanent Press, Activewear, Bedding, Delicates, Wool, Sanitize, Shirts, Denim, Blouses, Iron Dry, Time Dry, Air Fluff, Air Bedding Care, Down Jacket Care, Outdoor Care, Self Dry

**13 Options:**  
Damp Alert, Wrinkle Prevent, My Cycles, Smart Control, Drum Light, Optional Filter, Child Lock, Alarm, AI Pattern, Wi-Fi, Language, Factory Reset, Calibration

**4 Temperature Settings:**  
High, Medium, Low, Extra Low

**4 Dry Levels:**  
More Dry, Normal Dry, Less Dry, Damp Dry

Heat Pump Dryer	Model #	UPC Code	Optional Accessories	Model #	UPC Code
Brushed Navy	DV53BB8900HDA2	887276716268	Brushed Navy Pedestal	WE502ND	887276665276
<b>Matching Electric Dryer</b>			Brushed Navy Bespoke Heat Pump Stacking & MultiControl™ Combo Kit	SKK-9ALD	887276722054
<b>Matching Gas Dryer</b>					
Brushed Navy	DVG53BB8900D	887276657318			
<b>Matching Washer</b>					
Brushed Navy	WF53BG8900AD	887276652252			

**Convenience**

- Child Lock
- Filter Check Indicator

**Ratings**

ENERGY STAR® Rated:  
281 kWh/yr

**Electrical Requirements**

240 V / 60 Hz  
14 Amps

<sup>1</sup>Tested in accordance with Department of Energy automatic termination test procedure, (also known as DZ), normal cycle, 8.45 lb load with Ventless Hybrid Heat Pump (DV53BB8900HDA2) vs. Vent (DV53BB8900A3). Actual results may vary depending on individual use.  
<sup>2</sup>Designed to fit a 38" installation depth.  
<sup>3</sup>Requires wireless network, Samsung account and Samsung SmartThings App. The Samsung Smart Things App supports Android OS 4.0 (ICS) or later which is optimized for Samsung smartphones (Galaxy S and Galaxy Note series). This app also supports iOS 7 or later for iPhone models. Samsung SmartThings App available in App Store and Play Store.  
<sup>4</sup>ADA Compliant when using 27" wide riser (Riser model codes: WE272NV, WE272NC, WE272NP).

**SAMSUNG**

Heat Pump Dryer Spec Sheet - page 1

**DV53BB8900HDA2**  
Bespoke 7.8 cu. ft. Ultra Capacity Ventless Hybrid Heat Pump Dryer with AI Optimal Dry

**Dimensions**  
Required dimensions for installation with pedestal:

**Installation Specifications – Side-by-Side or Stand-Alone**  
If the washer and dryer are installed together or the dryer alone, the closet front must have two unobstructed air openings for a combined minimum total area of 72-inch<sup>2</sup>. Your washer alone does not require a specific air opening.

**Alcove or closet installation**  
Minimum clearance for closet and alcove installations:

Actual color may vary. Design, specifications, and color availability are subject to change without notice. Non-metric weights and measurements are approximate.  
©2022 Samsung Electronics America, Inc. 85 Challenger Road, Ridgefield Park, NJ 07660. Tel: 800-SAMSUNG, samsung.com. Samsung is a registered trademark of Samsung Electronics Co., Ltd.

**SAMSUNG**

Heat Pump Dryer Spec Sheet - page 2

**DV53BB8900HDA2**  
Bespoke 7.8 cu. ft. Ultra Capacity Ventless Hybrid Heat Pump Dryer with AI Optimal Dry

**Installation Specifications – Stacked Pair**  
Clearances indicated are for stacked pairs. The closet front must have two unobstructed air openings for a combined minimum total area of 72-inch<sup>2</sup>.

**Connection Dimensions**  
Back and side views of stacked pair

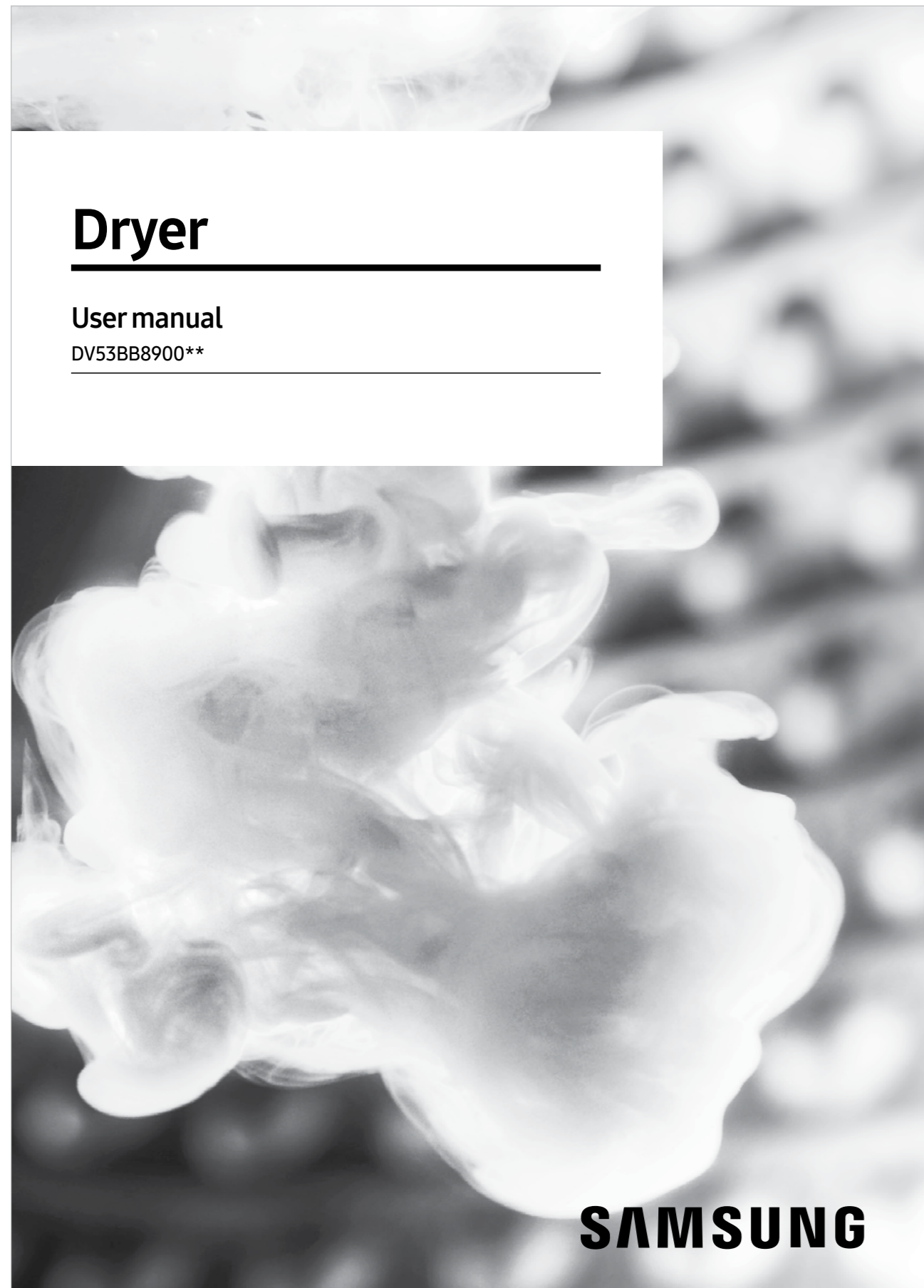
**LEGEND:**  
● Cold Water Connection  
● Hot Water Connection

Actual color may vary. Design, specifications, and color availability are subject to change without notice. Non-metric weights and measurements are approximate.  
©2022 Samsung Electronics America, Inc. 85 Challenger Road, Ridgefield Park, NJ 07660. Tel: 800-SAMSUNG, samsung.com. Samsung is a registered trademark of Samsung Electronics Co., Ltd.

**SAMSUNG**

Heat Pump Dryer Spec Sheet - page 3

# User Manual and Warranty



User Manual - Heat Pump Dryer

## LIMITED WARRANTY (U.S.A.) – SAMSUNG DRYER

**Models:**  
DV53BB8900HDA2

### LIMITED WARRANTY TO ORIGINAL PURCHASER WITH PROOF OF PURCHASE

This SAMSUNG brand product, as supplied and distributed by SAMSUNG ELECTRONICS AMERICA INC. (SAMSUNG) and delivered new, in the original carton to the original consumer purchaser, is warranted by SAMSUNG against manufacturing defects in materials or workmanship for the limited warranty period, starting from the date of original purchase, of:

#### One (1) Year Parts and Labor

This limited warranty is valid only on products purchased and used in the United States that have been installed, operated, and maintained according to the instructions attached to or furnished with the product. To receive warranty service, the purchaser must contact SAMSUNG at the address or phone number provided below for problem determination and service procedures. Warranty service can only be performed by a SAMSUNG authorized service center. The original dated bill of sale must be presented upon request as proof of purchase to SAMSUNG or SAMSUNG's authorized service center to receive warranty service.

SAMSUNG will provide in-home service within the contiguous United States during the warranty period at no charge, subject to availability of SAMSUNG authorized servicers within the customer's geographic area. If in-home service is not available, SAMSUNG may elect, at its option, to provide transportation of the product to and from an authorized service center. If the product is located in an area where service by a SAMSUNG authorized servicer is not available, you may be responsible for a trip charge or required to bring the product to a SAMSUNG authorized service center for service.

To receive in-home service, product must be unobstructed and accessible to the service agent.

During the applicable warranty period, a product will be repaired, replaced, or the purchase price refunded, at the sole option of SAMSUNG. SAMSUNG may use new or reconditioned parts in repairing a product, or replace the product with a new or reconditioned product. Replacement parts and products are warranted for the remaining portion of the original product's warranty or ninety (90) days, whichever is longer. All replaced parts and products are the property of SAMSUNG and you must return them to SAMSUNG.

Warranty - Heat Pump Dryer

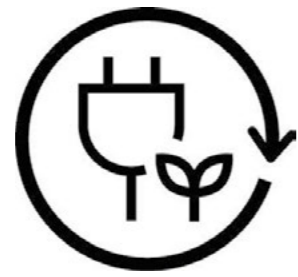
# Feature Icons

---

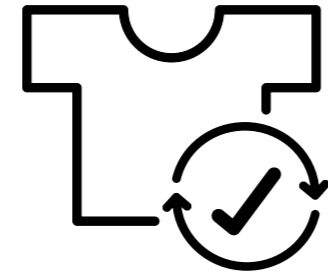
**DV53BB8900HDA2**

**Bespoke 7.8 cu. ft. Ultra Capacity Ventless Hybrid  
Heat Pump Dryer with AI Optimal Dry**

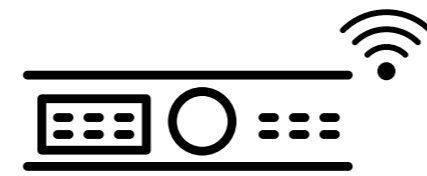
# Feature Icons



Ventless Hybrid Heat Pump



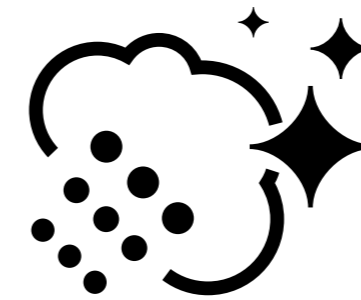
AI Optimal Dry



AI Smart Dial



MultiControl™



Steam Sanitize+



ENERGY STAR® Certified

**SAMSUNG**