

ASSEMBLY INSTRUCTIONS
COASTER FINE FURNITURE



Fine Furniture for every stage of life

101073
BAR UNIT

REVISION 0 : 08/18/2017
REVISION 1 : 07/14/2020
REVISION 2 : 09/30/2020

ITEM:101073



ASSEMBLY INSTRUCTIONS

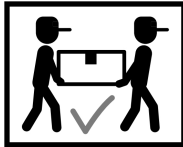
ASSEMBLY TIPS:

1. Remove hardware from box and sort by size.
2. Please check to see that all hardware and parts are present prior to start of assembly.
3. Please follow attached instructions in the same sequence as numbered to assure fast & easy assembly.



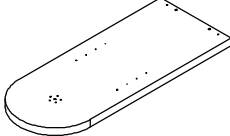
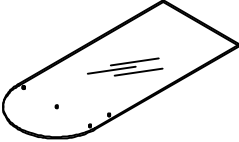
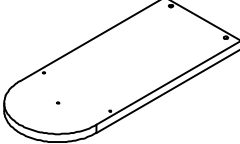
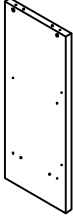
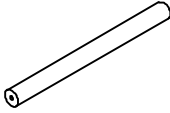
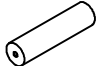
WARNING!

1. Don't attempt to repair or modify parts that are broken or defective. Please contact the store immediately.
2. This product is for home use only and not intended for commercial establishments.



ASSEMBLY TIME 45 MINUTES

PARTS IDENTIFICATION

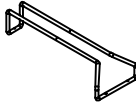
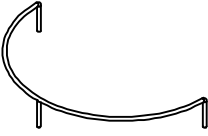
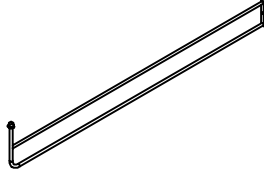
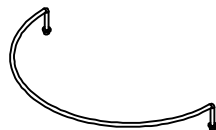
A	TOP SHELF		1PC
B	GLASS SHELF		1PC
C	BOTTOM SHELF		1PC
D	SIDE BOARD		1PC
E	TOP BAR		2PCS
F	BOTTOM BAR		2PCS

ITEM:101073





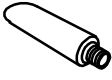

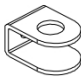



ASSEMBLY INSTRUCTIONS

PARTS IDENTIFICATION



G	GLASS HOLDER		2PCS
H	BOTTOM STEEL GUARD		1PC
I	BOTTLE GUARD		2PCS
J	GLASS SHELF STEEL GUARD		1PC

HARDWARE IDENTIFICATION











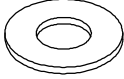


1	CAM-BOLT (38mm)		4PCS	6	SMALL BOLT (5/16" x 50mm)		2PCS
2	CAM-LOCK (ϕ 15mm)		4PCS	7	ROUND IRON (ϕ 63mm)		1PC
3	GLUE		1PC	8	PLASTIC (ϕ 38mm)		5PCS
4	GLASS METAL (10mm)		2PCS	9	WOOD DOWEL (10 x 40mm)		4PCS
5	GLASS BOLT (8 x 8mm)		2PCS	10	LABEL		7PCS

ITEM:101073

ASSEMBLY INSTRUCTIONS



HARDWARE IDENTIFICATION

11	LARGE ALLEN BOLT (5/16" x 63mm SR)		1PC	18	SCREW (7#15mm)		15PCS
12	MEDIUM ALLEN BOLT (1/4" x 63mm SR)		1PC	19	SMALL ALLEN KEY (4mm)		1PC
13	SMALL ALLEN BOLT (1/4" x 25mm SR)		1PC	20	LARGE ALLEN KEY (5mm)		1PC
14	SMALL WASHER (ϕ 19mm)		1PC	21	SPRING WASHER (5/16")		1PC
15	LARGE BOLT (1/4" x 63mm)		1PC	22	ALLEN BOLT (1/4" x 6mm)		2PCS
16	LARGE WASHER (5/16")		1PC	23	SMALL PLASTIC (1/4" x 16mm)		2PCS
17	CAP (ϕ 38mm)		2PCS				

ITEM:101073

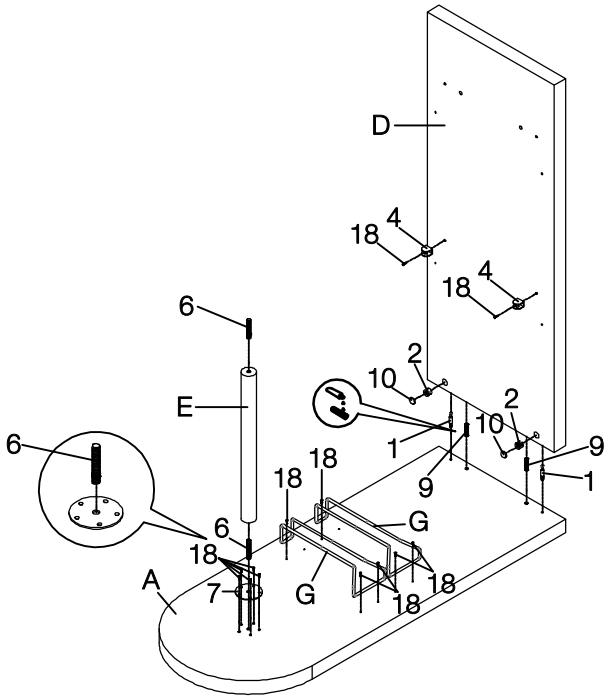


ASSEMBLY INSTRUCTIONS

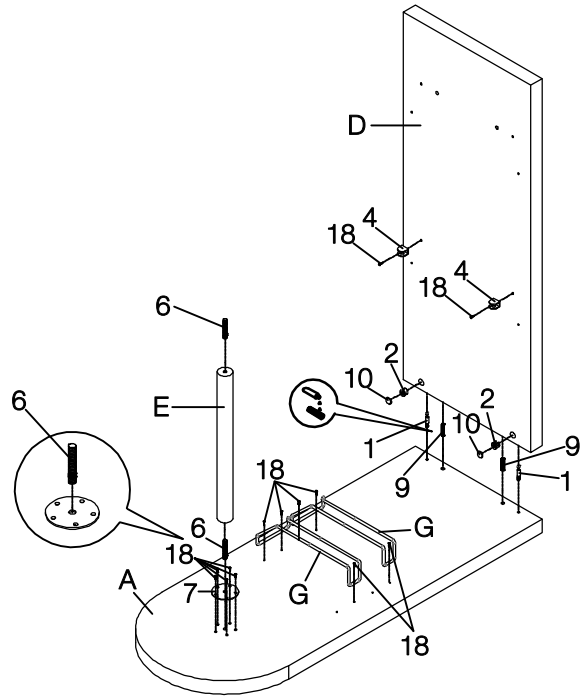
STEP 1

Do not tighten until each step is completed or instructed.

AS #1 BOTTLE GUARD CAN BE ASSEMBLED IN LEFT OR RIGHT SIDE, THE #G GLASS HOLDER ALSO CAN BE ASSEMBLED IN OTHER SIDE ACCORDINLY.



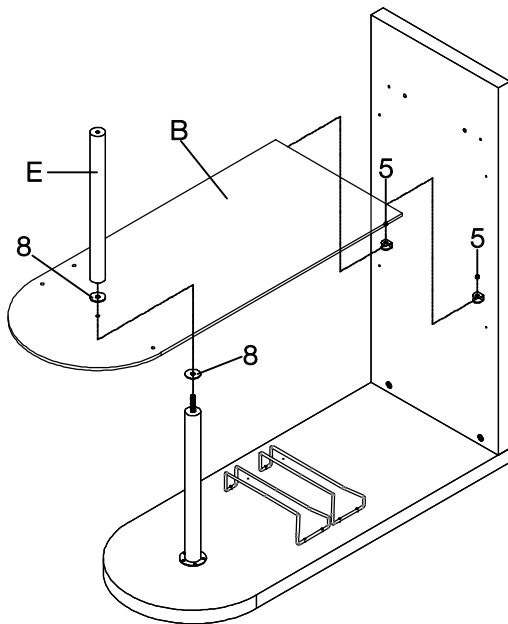
LEFT



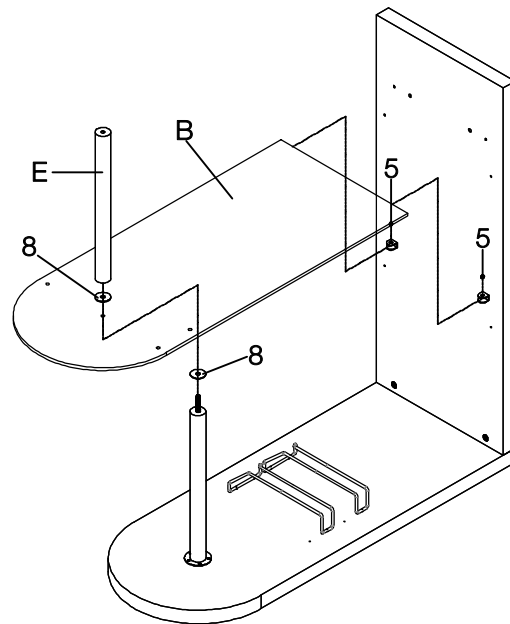
RIGHT

STEP 2

AS #1 BOTTLE GUARD CAN BE ASSEMBLED IN LEFT OR RIGHT SIDE, THE #B GLASS SHELF NEED TO CHANGE ASSEMBLED WAY ACCORDINLY.

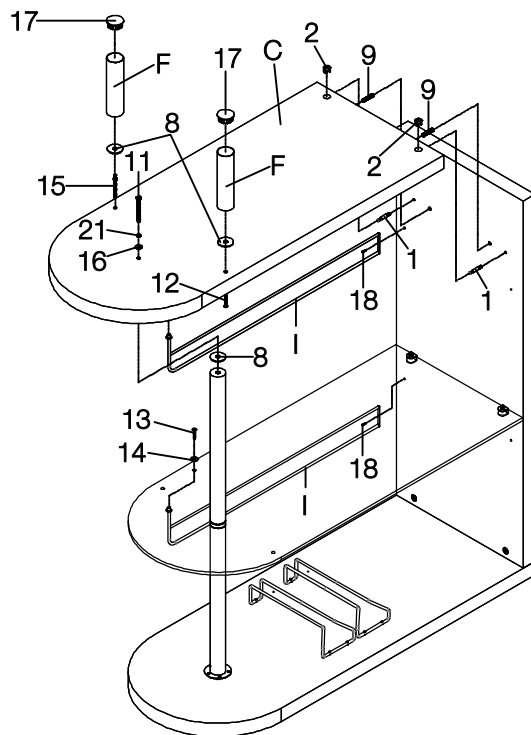


LEFT

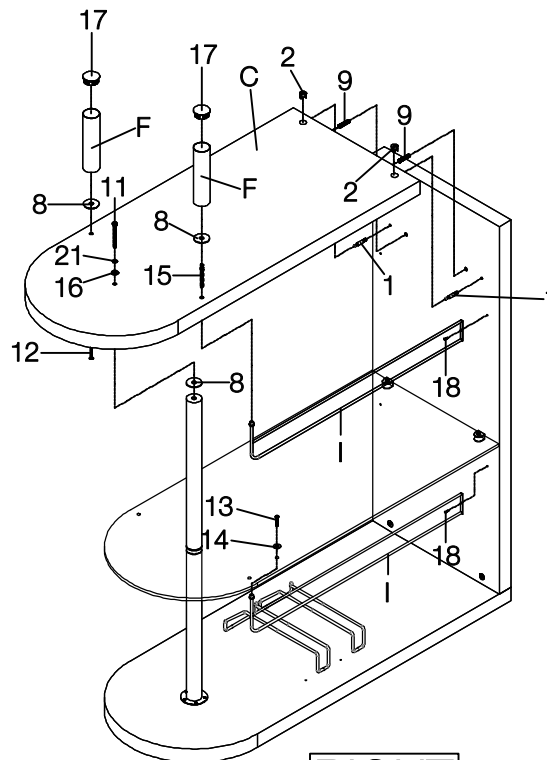


RIGHT

ITEM:101073
ASSEMBLY INSTRUCTIONS
STEP 3

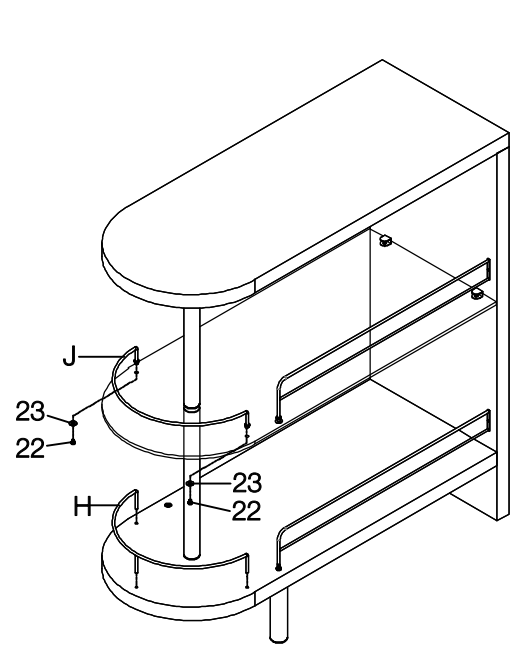


LEFT

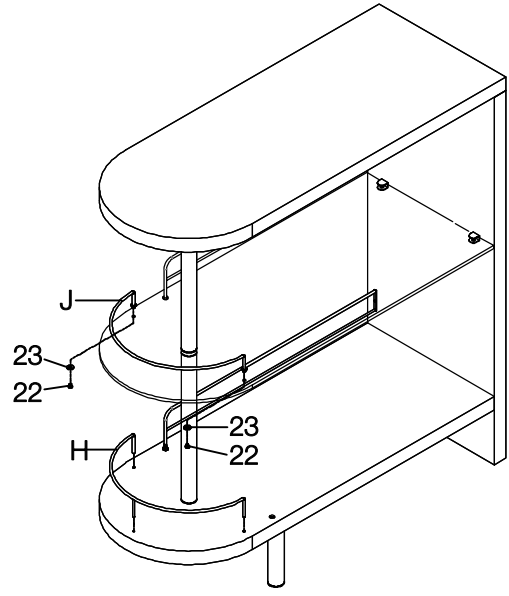


RIGHT

ITEM:101073 ASSEMBLY INSTRUCTIONS STEP 4

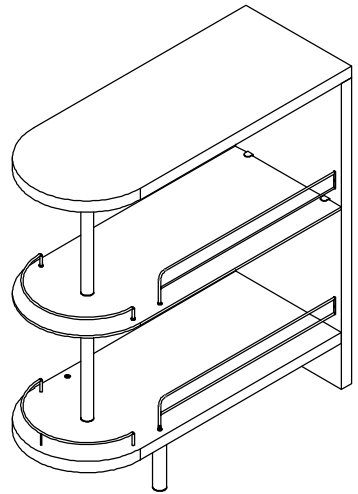


LEFT

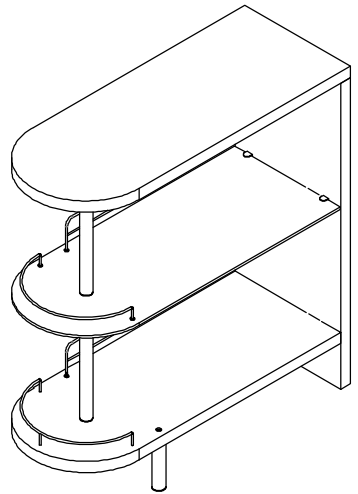


RIGHT

STEP 5 COMPLETE

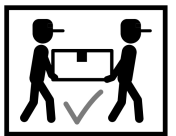


LEFT



RIGHT

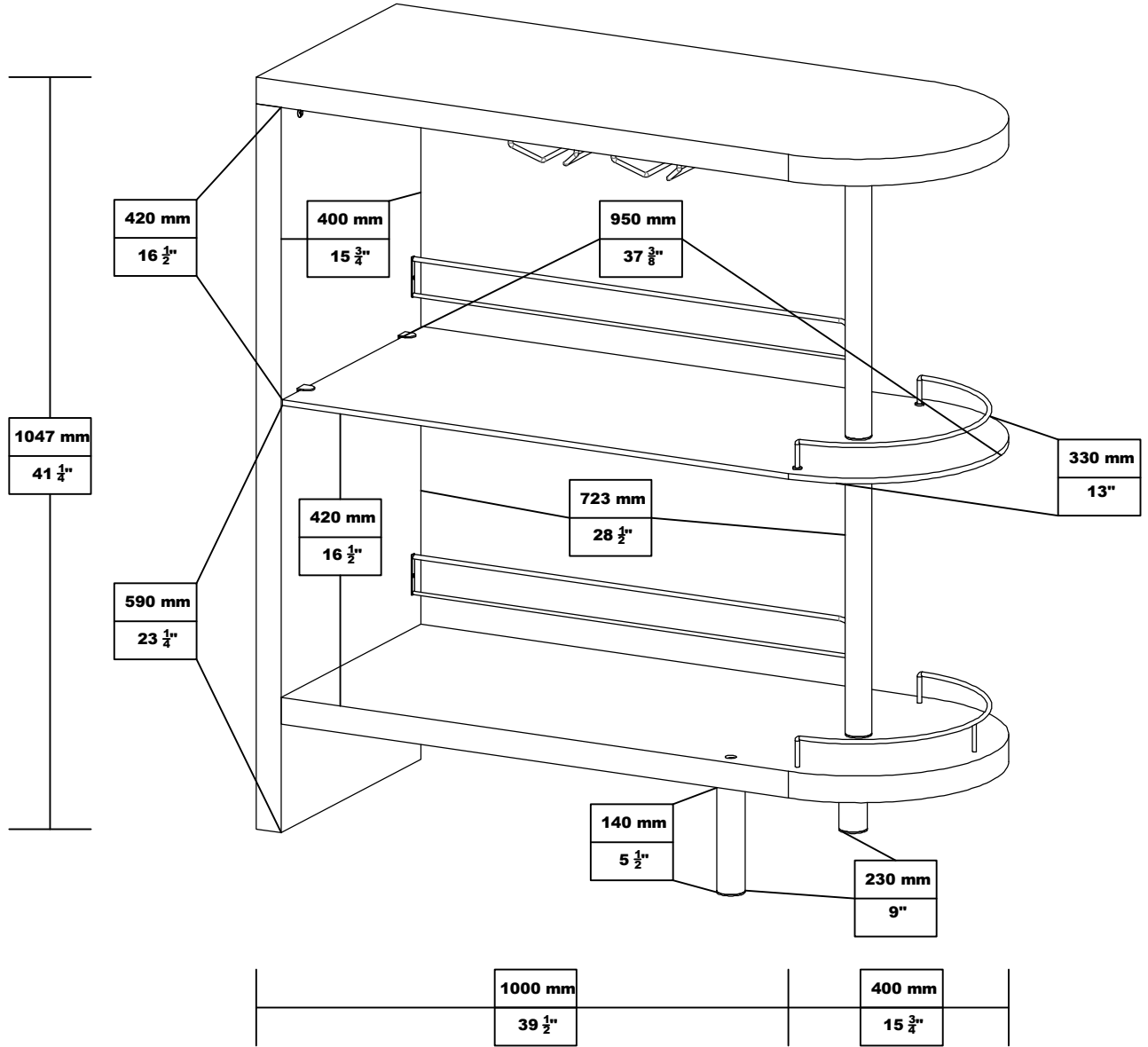
It can be placed either way to suit the individual's needs.



ITEM:101073 ASSEMBLY INSTRUCTIONS



Product Size : 1000 X 400 X 1047 H (MM)
Product Size : 39 1/2" X 15 3/4" X 41 1/4"



Note : Dimension tolerance ±5%