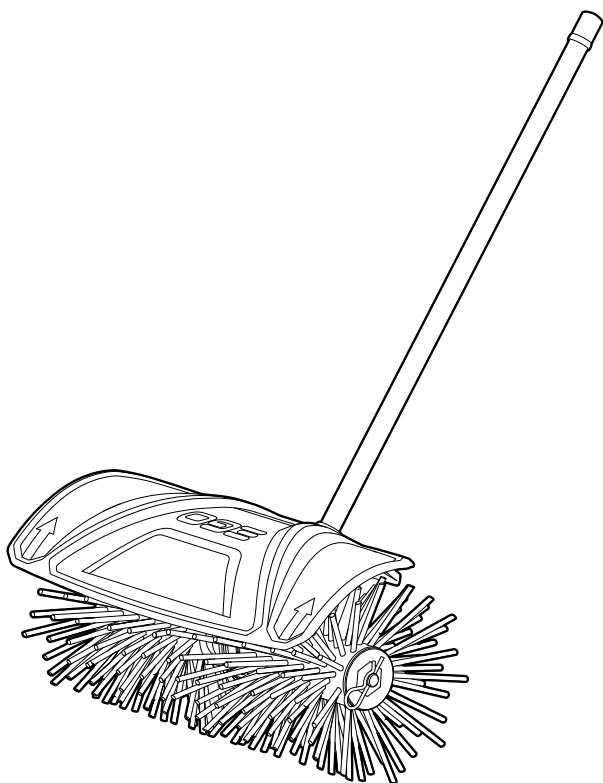


# EGO™



EXCLUSIVELY FOR USE WITH  
EGO POWER+ POWER HEAD  
PH1400/PH1400-FC

## OPERATOR'S MANUAL

Français p. 28

Español p. 57

# BRISTLE BRUSH ATTACHMENT

MODEL NUMBER BBA2100/BBA2100-FC

**⚠ WARNING:** To reduce the risk of injury, the user must read and understand the Operator's Manual before using this product. Save these instructions for future reference.



# TABLE OF CONTENTS

Safety Symbols .....	4
Important Safety Instructions .....	5-9
Introduction .....	10
Specifications .....	11
Packing List .....	11
Description .....	12-13
Assembly .....	14-18
Operation .....	19-20
Maintenance .....	21-23
Troubleshooting .....	24-25
Warranty .....	26-27

# READ ALL INSTRUCTIONS!



READ & UNDERSTAND  
OPERATOR'S MANUAL

**⚠ WARNING:** Some dust created by power sanding, sawing, grinding, drilling and other construction activities contains chemicals known to the state of California to cause cancer, birth defects or other reproductive harm. Some examples of these chemicals are:

- Lead from lead - based paints
- Crystalline silica from bricks and cement and other masonry products, and
- Arsenic and chromium from chemically - treated lumber.

Your risk from these exposures varies, depending on how often you do this type of work. To reduce your exposure to these chemical: work in a well ventilated area, and work with approved safety equipment, such as those dust masks that are specially designed to filter out microscopic particles.

## SAFETY SYMBOLS

The purpose of safety symbols is to attract your attention to possible dangers. The safety symbols and the explanations with them deserve your careful attention and understanding. The symbol warnings do not, by themselves, eliminate any danger. The instructions and warnings they give are no substitutes for proper accident prevention measures.

**⚠ WARNING:** Be sure to read and understand all safety instructions in this Operator's Manual, including all safety alert symbols such as "**DANGER**," "**WARNING**," and "**CAUTION**" before using this tool. Failure to following all instructions listed below may result in electric shock, fire, and/or serious personal injury.

### SYMBOL MEANING

**⚠ SAFETY ALERT SYMBOL:** Indicates **DANGER, WARNING, OR CAUTION.** May be used in conjunction with other symbols or pictographs.



**⚠ WARNING!** The operation of any power tools can result in foreign objects being thrown into your eyes, which can result in severe eye damage. Before beginning power tool operation, always wear safety goggles or safety glasses with side shield and a full face shield when needed. We recommend a Wide Vision Safety Mask for use over eyeglasses or standard safety glasses with side shields. Always use eye protection which is marked to comply with ANSI Z87.1.

# SAFETY INSTRUCTIONS

This page depicts and describes safety symbols that may appear on this product. Read, understand, and follow all instructions on the machine before attempting to assemble and operate it.

	<p>Safety Alert</p>	<p>Indicates a potential personal injury hazard.</p>
	<p>Read &amp; Understand Operator's Manual</p>	<p>To reduce the risk of injury, user must read and understand the operator's manual before using this product.</p>
	<p>Wear Eye Protection</p>	<p>Always wear safety goggles or safety glasses with side shields when operating this product.</p>
	<p>Wear Protective Gloves</p>	<p>Protect your hands with gloves when handling blades. Heavy-duty, nonslip gloves improve your grip and protect your hands.</p>
	<p>Ricochet</p>	<p>Thrown objects can ricochet and result in personal injury or property damage.</p>
	<p>Brush Thrust</p>	<p>Thrust reaction generated when rotating brushes contact the ground.</p>
	<p>Recycle Symbols</p>	<p>This product uses lithium-ion (Li-ion) batteries. Local, state, or federal laws may prohibit disposal of batteries in ordinary trash. Consult your local waste authority for information regarding available recycling and/or disposal options.</p>

IPX4	Ingress Protection Degree	Protection from splashing water
V	Volt	Voltage
mm	Millimeter	Length or size
in.	Inch	Length or size
kg	Kilogram	Weight
lb	Pound	Weight
°C	Celsius Temperature	Temperature
°F	Fahrenheit Temperature	Temperature

## IMPORTANT SAFETY INSTRUCTIONS

**⚠ WARNING:** When using electric bristle brush, basic safety precautions should always be followed to reduce the risk of fire, electric shock, and personal injury, including the following:

### READ ALL INSTRUCTIONS

**⚠ DANGER!** Do not rely on the tool's insulation against electric shock. To reduce the risk of electrocution, never operate the tool in the vicinity of any wires or cables which may carry electric current.

**⚠ CAUTION!** Wear appropriate personal hearing protection during use. Under some conditions and durations of use, noise from this product may contribute to hearing loss.

- **Keep Children Away** - All visitors should be kept at least 100 feet away from work area.
- **Avoid Dangerous Environments** – Don't use appliances on damp or wet slope.
- **Dress Properly** - Do not wear loose clothing or jewelry. They can be caught in moving parts. Use of rubber gloves and substantial footwear is recommended when working outdoors. Wear protective hair covering to contain long hair.
- **Use Safety Glasses** - Always use face or dust mask if operation is dusty.
- **Use the Right Tool** - Do not use the tool for any job except that for which it is intended.
- **Don't Force the Bristle Brush** - It will do the job better and with less likelihood of a risk of injury at the rate for which it was designed.
- **Don't Overreach** - Keep proper footing and balance at all times.
- **Stay Alert** - Watch what you are doing. Use common sense. Do not operate the bristle brush when you are tired.
- **Do not operate the bristle brush while under the influence of alcohol or drugs.**
- **Keep guards in place and in working order.**

**⚠ WARNING!** To reduce the risk of injury to persons, do not operate without guards in place.

- **Keep hands and feet away from the cutting area.**

- **Store Bristle Brush Indoors** - When not in use the bristle brush should be stored indoors in a dry and high or locked-up place with the battery pack removed- out of reach of children.
- **Maintain Bristle Brush With Care** - Keep the bristle brush attachment clean for best performance and to reduce the risk of injury. Follow the instructions for changing accessories. Keep the handles dry, clean, and free from oil and grease.
- **Check Damaged Parts** - Before further use of the bristle brush, a guard or other part that is damaged should be carefully checked to determine that it will operate properly and perform its intended function. Check for alignment of moving parts, binding of moving parts, breakage of parts, mounting, and any other condition that may affect its operation. A guard or other part that is damaged should be properly repaired or replaced by an authorized service center unless indicated elsewhere in this manual.
- **Clear the area to be cut before each use.** Remove all objects such as rocks, broken glass, nails, wire, or string that can be thrown or become entangled in the bristle brush attachment. Make sure that other persons and pets are at least 100 ft. (30.5m) away.
- **Always hold the bristle brush firmly, with both hands on the handles, while operating. Wrap your fingers and thumbs around the handles.**
- **Avoid Accidentally Starting** – Don't carry the bristle brush with your finger on the trigger.
- **Do not operate the bristle brush in gaseous or explosive atmospheres.** Motors in these appliances normally spark, and the sparks might ignite fumes.
- **Damage to Bristle Brush** - If you strike a foreign object with the bristle brush or it becomes entangled, stop the tool immediately, check for damage and have any damage repaired before further operation is attempted. Do not operate with a broken guard.
- **If the equipment should start to vibrate abnormally, stop the motor and check immediately for the cause.**
- **Replace a damaged brush roller immediately.** Such attachments may shatter at high speed and cause serious or fatal injury.
- **Check the bristle brush attachment at regular short intervals during operation, or immediately if there is a noticeable change in sweeping behavior.**



- **To reduce the risk of injury from loss of control, never work on a ladder or on any other insecure support. Never hold the bristle brush attachment above waist height.**
- **Do not charge the battery pack in rain, or in wet locations.**
- Use Only With The 56V Lithium-Ion Power Head PH1400/PH1400-FC.
- **Do not dispose of the battery in a fire.** The cells may explode. Check with local codes for possible special disposal instructions.
- **Do not open or mutilate the battery.** Released electrolyte is corrosive and may cause damage to the eyes or skin. It may be toxic if swallowed.
- **Exercise care in handling batteries in order not to short the battery with conducting materials such as rings, bracelets, and keys.** The battery or conductor may overheat and cause burns.
- **Replacement Parts** - When servicing, use only identical EGO replacement parts. Use of any other accessory or attachment may increase the risk of injury.
- **Battery tools do not have to be plugged into an electrical outlet; therefore, they are always in operating condition.** Be aware of possible hazards even when the tool is not operating. Take care when performing maintenance or service.
- **Remove or disconnect battery pack before servicing, cleaning or removing material from the bristle brush.**
- **Do not wash with a hose; avoid getting water in motor and electrical connections.**
- **Do not expose a battery pack or tool to fire or excessive temperature.** Exposure to fire or temperature above 212 °F (100°C) may cause explosion.
- **If situations occur that are not covered in this manual, use care and good judgment. Contact the EGO Customer Service Center for assistance.**
- **Save these instructions.** Refer to them frequently and use them to instruct others who may use this tool. If you lend this tool to someone else, also lend these instructions to them to prevent misuse of the product and possible injury.

**NOTE: SEE YOUR POWER HEAD OPERATOR'S MANUAL FOR ADDITIONAL SPECIFIC SAFETY RULES.**



## INTRODUCTION

Congratulations on your selection of the EGO BRISTLE BRUSH. It has been designed, engineered and manufactured to give you the best possible dependability and performance.

Should you experience any problem you cannot easily remedy, **please contact EGO Customer Service Center 1-855-EGO-5656.**

This manual contains important information on the safe assembly, operation and maintenance of your product. Read it carefully before using the product. Keep this manual handy so you can refer to it at any time.

SERIAL NUMBER \_\_\_\_\_ DATE OF PURCHASE \_\_\_\_\_

YOU SHOULD RECORD BOTH SERIAL NUMBER AND DATE OF PURCHASE AND KEEP THEM IN A SAFE PLACE FOR FUTURE REFERENCE

## SPECIFICATIONS

Brush Drum Diameter	10" (250 mm)
Cleaning Swath	22" (560 mm)
Operating Temperature	5°F-104°F (-15°C to 40°C)
Storage Temperature	-4°F - 158° F (-20°C - 70°C)
Weight (including the guard)	11.13 lb (5.05 kg)

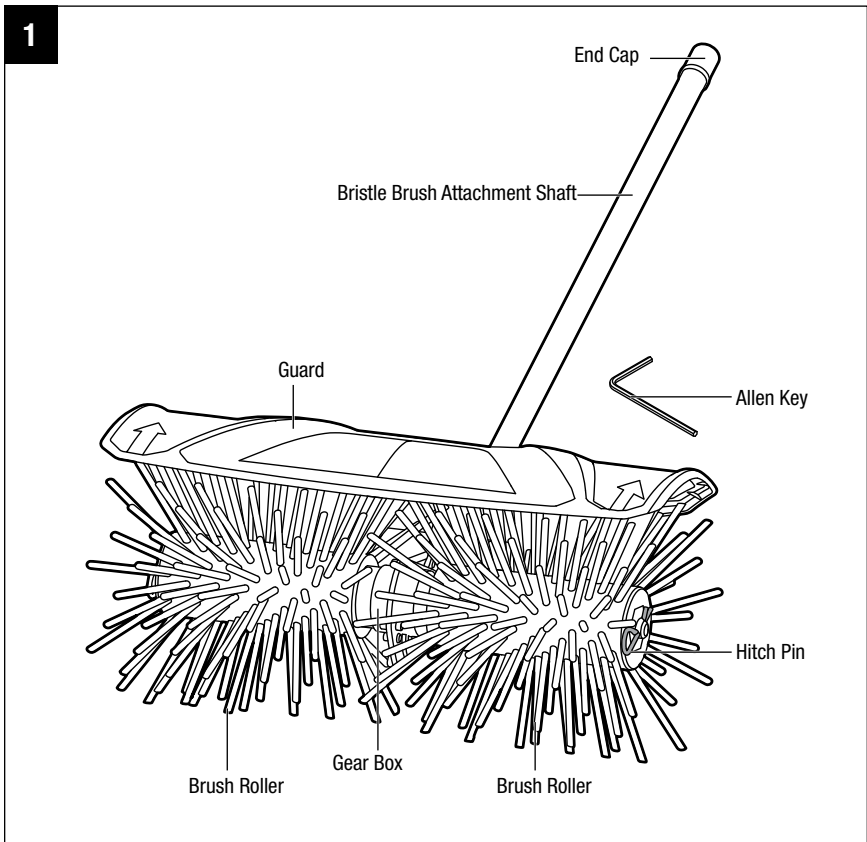
## PACKING LIST

PART NAME	QUANTITY
Bristle Brush Attachment	1
Brush Roller	2
Drive Axle	2
Guard (with bolt)	1
Allen Key	1
Hitch pin	2
Lock pin	2
Operator's Manual	1

## DESCRIPTION

### KNOW YOUR BRISTLE BRUSH ATTACHMENT (Fig.1)

The safe use of this product requires an understanding of the information on the tool and in this operator's manual, as well as knowledge of the project you are attempting. Before using this product, familiarize yourself with all operating features and safety rules.



**⚠ WARNING:** Never operate the tool without the guard firmly in place. The guard must always be on the tool to protect the user.

## **END CAP**

Protects shaft from the intrusion of dirt and debris when not in use.

## **GUARD**

Reduces the risk of injury from foreign objects flung backwards toward the operator and from contact with the brush rollers.

## **HITCH PIN**

Secures the brush rollers and simplifies removal and installation of the brush rollers.

## **BRUSH ROLLER**

Tool for sweeping and clearing.

## **ALLEN KEY**

To assemble the plastic guard.

## ASSEMBLY

**⚠ WARNING:** If any parts are damaged or missing, do not operate this product until the parts are replaced. Use of this product with damaged or missing parts could result in serious personal injury.

**⚠ WARNING:** Do not attempt to modify this product or create accessories not recommended for use with this product. Any such alteration or modification is misuse and could result in a hazardous condition leading to possibly serious personal injury.

**⚠ WARNING:** Do not connect the bristle brush to the power head until assembly is complete. Failure to comply could result in accidental starting and possible serious personal injury.

## UNPACKING

- This product requires assembly.
- Carefully remove the product and any accessories from the box. Make sure that all items listed in the packing list are included.

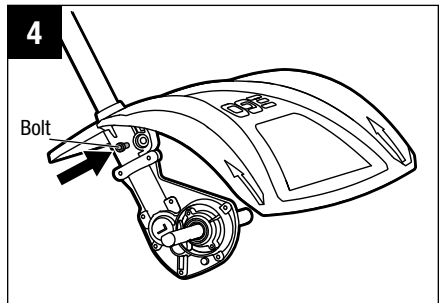
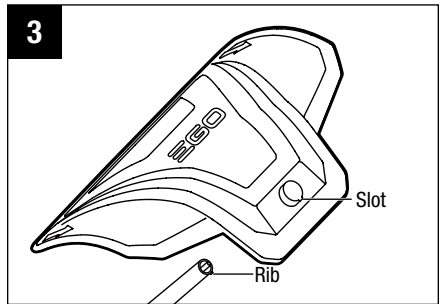
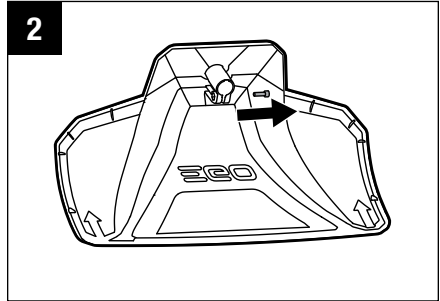
**⚠ WARNING:** Do not use this product if any parts on the packing list are already assembled to your product when you unpack it. Parts on this list are not assembled to the product by the manufacturer and require customer installation. Use of a product that may have been improperly assembled could result in serious personal injury.

- Inspect the tool carefully to make sure that no breakage or damage occurred during shipping.
- Do not discard the packing material until you have carefully inspected and satisfactorily operated the tool.
- If any parts are damaged or missing, please return the product to the place of purchase.

## MOUNTING THE GUARD

**⚠ WARNING:** Install the guard before the bristle brush attachment is connected to the power head.

1. Loosen and remove the bolt from the guard with the supplied Allen key (Fig. 2).
2. Lift the bristle brush attachment shaft and remove the end cap from the shaft.
3. With the slot in the guard aligned with the rib on the end of the shaft, pass the guard through the shaft until the screw holes in the guard and in the shaft are aligned (Fig. 3 & 4).
4. Use the supplied Allen key to tighten the bolt clockwise to lock the guard securely.

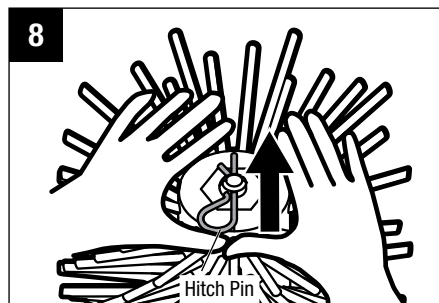
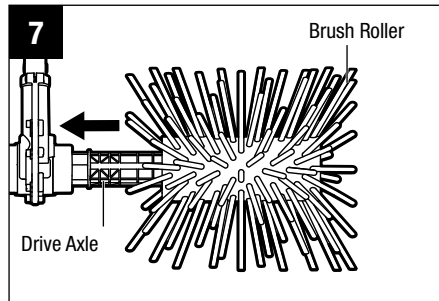
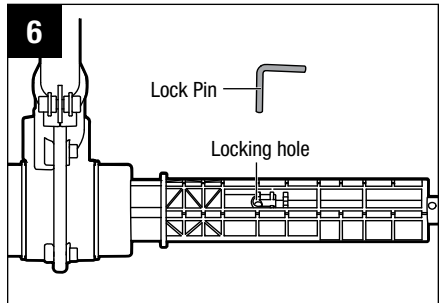
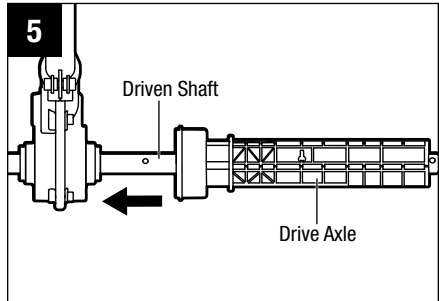


## MOUNTING THE BRUSH ROLLERS

1. Push the drive axle onto the driven shaft (Fig. 5).
2. To secure the drive axle to the driven shaft, insert the lock pin into the locking hole.

**NOTE:** The lock pin needs to be installed into place (Fig. 6).

3. Follow the same steps to mount the other drive axle.
4. Push the brush roller onto the drive axle (Fig. 7).
5. Insert the hitch pin into the hole at the end to secure the brush roller to the drive axle (Fig. 8).
6. Follow the same steps to mount the other brush roller.





## CONNECTING THE BRISTLE BRUSH ATTACHMENT TO THE POWER HEAD

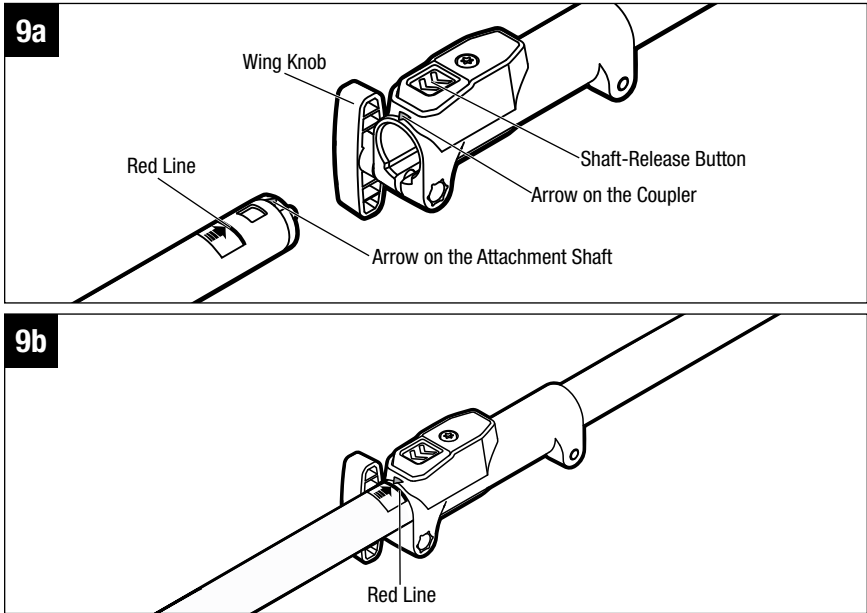
**⚠ WARNING:** Never attach or adjust any attachment while the power head is running or with the battery installed. Failure to stop the motor and remove the battery may cause serious personal injury.

This bristle brush attachment is designed for use with EGO Power Head PH1400/PH1400-FC.

The bristle brush attachment connects to the power head by means of a coupler device.

1. Stop the motor and remove the battery pack.
2. Loosen the wing knob on the power head coupler.
3. If the end cap is on the attachment shaft, remove it and reserve it for later use. Align the arrow on the bristle brush shaft with the arrow on the coupler (Fig. 9a) and push the bristle brush shaft into the coupler until you hear a clear “CLICK” sound. The coupler should be positioned all the way to the **RED LINE** labeled on the shaft: until the red line mark is flush with the coupler edge (Fig. 9b).
4. Pull on the shaft of the bristle brush attachment to verify that it is securely locked into the coupler. If not, rotate the bristle brush shaft from side to side in the coupler until a clear “CLICK” sound indicates that it is engaged.
5. Tighten the wing knob securely.

**⚠ WARNING:** Be certain the wing knob on the coupler is fully tightened before operating the equipment; check it periodically for tightness during use to avoid serious personal injury.



## REMOVING THE ATTACHMENT FROM THE POWER HEAD

1. Stop the motor and remove the battery pack.
2. Loosen the wing knob.
3. Press the shaft-release button and with the button depressed, pull or twist the bristle brush attachment shaft out of the coupler to separate it from the power head.

# OPERATION

**⚠ WARNING:** Do not allow familiarity with this product to make you careless. Remember that a careless fraction of a second is sufficient to inflict serious injury.

**⚠ WARNING:** Always wear eye protection that is marked to comply with ANSI Z87.1. Failure to do so could result in objects being thrown into your eyes and other possible serious injuries.

**⚠ WARNING:** Do not use any attachments or accessories not recommended by the manufacturer of this product. The use of attachments or accessories not recommended can result in serious personal injury.

## APPLICATIONS

You may use this product for the purpose listed below:

- Cleaning areas and paths, including uneven and jointed surfaces.
- Cleaning the pavement/concrete/asphalt driveways, walkways, and yards.

**NOTICE:** To reduce the risk of injury, never work without the guard.

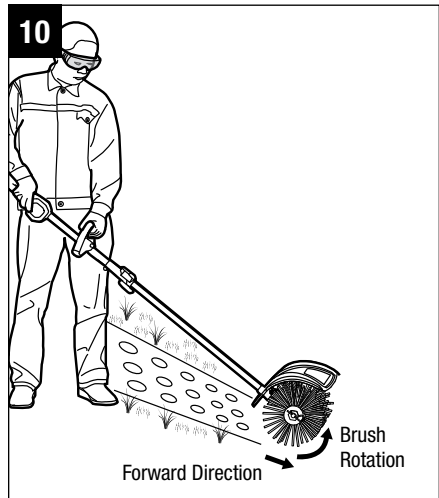
**⚠ WARNING:** Dress properly to reduce the risk of injury when operating this tool. Do not wear loose clothing or jewelry. Wear eye protection. Wear heavy, long pants, boots and gloves. Do not wear short pants or sandals or go barefoot.

If the surface to be cleaned is dry, spray it with water to reduce the amount of dust created.

You should work with the bristle brush forward. Hold the bristle brush with one hand on the rear handle and the other hand on the front-assist handle. Keep a firm grip with both hands while operating the bristle brush.

Hold and guide the bristle brush at a shallow angle. If the bristle brush is held at too steep an angle, it tends to push back towards the operator.

Maintain your grip and balance on both feet (Fig.10).



Thrown materials may seriously injure the operator or bystander. To reduce the risk of personal injury, it is essential to take the following precautions:

- Always hold the bristle brush with both hands when operating. Use a firm grip on both handles.
- Move the bristle brush to the work area before starting and start the bristle brush at a lower speed.
- To reduce the risk of injury from loss of control, hold and guide the bristle brush at a shallow angle. If the bristle brush is held at too steep an angle, it tends to push back towards the operator.

### **Before each use check for damaged/worn parts**

Check the brush roller, guard, front-assist handle, and drive axle and replace any parts that are cracked, warped, bent, or damaged in any way.

### **Clean the bristle brush after each use**

See the Maintenance section for cleaning instructions.

**⚠ WARNING:** Ensure the brush roller has come to a complete stop and the battery is removed off before cleaning or servicing the bristle brush. Failure to comply could result in possible serious personal injury.

### **TO START/STOP THE TOOL**

See "**STARTING/STOPPING THE POWER HEAD**" section in the power head PH1400/PH1400-FC operator's manual.

## MAINTENANCE

**⚠ WARNING:** When servicing, use only identical replacement parts. Use of any other parts may create a hazard or cause product damage. To ensure safety and reliability, all repairs should be performed by a qualified service technician.

**⚠ WARNING:** Battery tools do not have to be plugged into an electrical outlet; therefore, they are always in operating condition. To prevent serious personal injury, take extra precautions and care when performing maintenance, service or for changing the cutting attachment or other attachments.

**⚠ WARNING:** To prevent serious personal injury, remove the battery pack from the power head and wait for the brush roller stop before servicing, cleaning, changing add-on attachments or when the product is not in use.

### GENERAL MAINTENANCE

Avoid using solvents when cleaning plastic parts. Most plastics are susceptible to damage from various types of commercial solvents and may be damaged by their use. Use a clean cloth to remove dirt, dust, oil, grease, etc.

**⚠ WARNING:** Do not at any time let brake fluids, gasoline, petroleum-based products, penetrating oils, etc., come in contact with plastic parts. Chemicals can damage, weaken, or destroy plastic, which may result in serious personal injury.

**⚠ WARNING:** When cleaning the bristle brush attachment, DO NOT immerse it in water or other liquids. Do not clean your machine with a pressure washer. The solid jet of water may damage parts of the machine.

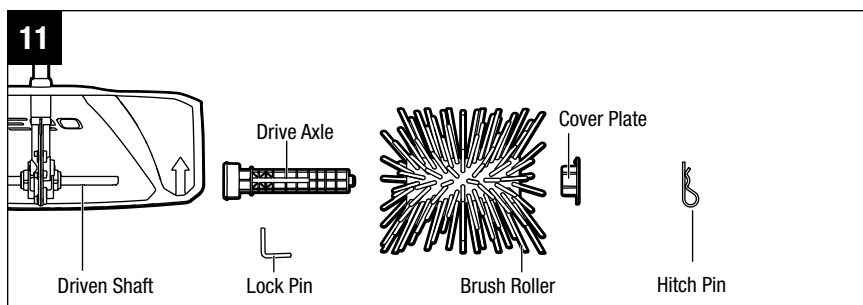
### BRUSH ROLLER MAINTENANCE

- Clean the brush roller frequently.
- If any of the brush roller needs replacing due to damage, replace both brush rollers for best performance.

All bristle brush service, other than the items listed in these maintenance instructions, should be performed by authorized service personnel.

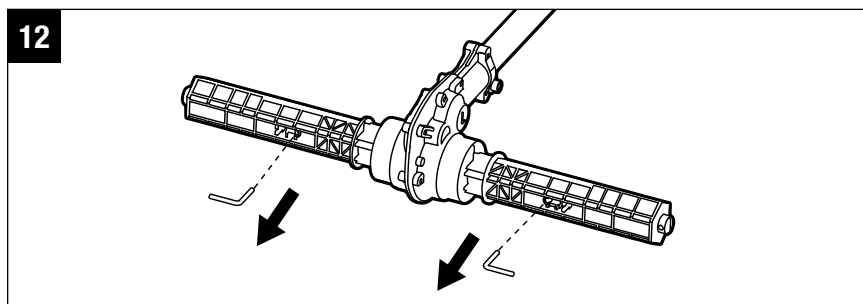
## REPLACING THE BRUSH ROLLERS

**⚠ WARNING:** A damaged brush roller may break into pieces after long-time use, which may cause dangerous projectiles. Thrown objects can cause serious injury. Inspect it regularly and do not operate the bristle brush with worn or damaged parts.



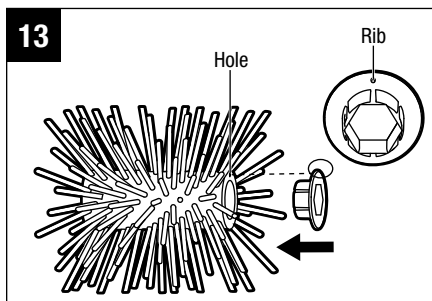
### To Remove (Fig. 11)

1. Remove the hitch pin from the end of the drive axle.
2. Pull the brush roller, together with cover plate on it, off the drive axle.
3. If the drive axle is damaged, remove the lock pin from the hole of the drive axle and pull the drive axle off the driven shaft (Fig. 12).
4. If the cover plate is damaged, pull it from the brush roller and replace it.
5. Follow the same steps to remove the other brush roller.



## To Install

1. Install the drive axle onto the driven shaft and insert the lock pin into the hole on the drive axle (see Fig. 6).
2. Install the cover plate onto the brush roller with the rib in the cover plate aligned with the hole on the brush roller (Fig. 13).
3. Push the brush roller onto the drive axle (see Fig. 7).
4. Insert the hitch pin in the hole at the end of the drive axle and fold it flat.
5. Follow the same steps to mount the other brush roller.



**⚠ WARNING:** Always replace both brush rollers at the same time.

## CLEAN THE UNIT

- Remove the battery.
- Clear the pieces of roots, clogged soils, or plants from the brush rollers, guard, or the gear box. For thorough cleaning, remove the brush rollers and guard to wash them thoroughly. For detailed replacement steps please see above section **“REPLACING THE BRUSH ROLLERS”**.
- Keep the air vents free of obstructions.

## STORING THE UNIT

- Remove the battery pack from the tool.
- Clean the tool thoroughly and inspect the brush rollers.
- Remove the bristle brush attachment from the power head and cover the attachment shaft with end cap to avoid dirt getting into the coupling.
- Store the tool in a dry, well-ventilated area, locked-up or up high, out of the reach of children. Do not store the unit on or adjacent to fertilizers, gasoline, or other chemicals.

## TROUBLESHOOTING

PROBLEM	CAUSE	SOLUTION
Bristle brush fails to start.	<ul style="list-style-type: none"><li>■ The battery pack is not properly attached to the power head.</li><li>■ No electrical contact between the power head and the battery pack.</li><li>■ The battery pack is depleted.</li><li>■ The lock-off lever and trigger of the power head are not depressed simultaneously.</li><li>■ Still not start beyond the above reasons.</li></ul>	<ul style="list-style-type: none"><li>■ Attach the battery pack to the power head.</li><li>■ Remove battery, check contacts and reinstall the battery pack so that it snaps into place.</li><li>■ Charge the battery pack with an EGO charger listed in this manual.</li><li>■ Press the lock-off lever and hold it, then depress the trigger to turn on.</li><li>■ Contact EGO Customer Service.</li></ul>
Bristle brush is obviously damaged.	<ul style="list-style-type: none"><li>■ Abnormal damage during transportation or use.</li></ul>	<ul style="list-style-type: none"><li>■ Contact EGO Customer Service.</li></ul>



PROBLEM	CAUSE	SOLUTION
Bristle brush stops while brushing.	<ul style="list-style-type: none"><li>■ The motor is overloaded.</li><li>■ The battery pack or the power head is too hot.</li><li>■ The battery pack is disconnected from the tool.</li><li>■ The battery pack is depleted.</li><li>■ Still not start beyond the above reasons.</li></ul>	<ul style="list-style-type: none"><li>■ The motor will recover when the load is removed. For continuous work, decrease the load on the bristle brush.</li><li>■ Allow the battery pack or the power head to cool until the its temperature drops below 152°F (67°C).</li><li>■ Re-install the battery pack.</li><li>■ Charge the battery pack with an EGO charger listed in this manual.</li><li>■ Contact EGO Customer Service.</li></ul>



# WARRANTY

## EGO WARRANTY POLICY

5-year limited warranty on EGO POWER+ outdoor power equipment and portable power for personal, household use.

3-year limited warranty on EGO POWER+ System battery packs and chargers for personal, household use.

2 year/1year limited warranty on EGO outdoor power equipment, portable power, battery packs, and chargers for professional and commercial use.

The detailed warranty periods by products can be found online at

<http://egopowerplus.com/pages/warranty-policy>.

**Please contact EGO Customer Service Toll-Free at 1-855-EGO-5656** any time you have questions or warranty claims.

## LIMITED SERVICE WARRANTY

EGO products are warranted against defects in material or workmanship from the date of original retail purchase for the applicable warranty period. Defective product will receive free repair.

- a) This warranty applies only to the original purchaser from an authorized EGO retailer and may not be transferred. Authorized EGO retailers are identified online at <http://egopowerplus.com/pages/warranty-policy>.
- b) The warranty period for reconditioned or factory certified products used for residential purpose is 1 year, for industrial, professional or commercial purpose is 90 days.
- c) The warranty period for routine maintenance parts, such as, but not limited to, blades, trimmer heads, chain bars, saw chains, belts, scraper bars, blower nozzles, and all other EGO accessories is 90 days for residential purpose, 30 days for industrial, professional or commercial purpose. These parts are covered for 90/30 days from manufacture defects in normal working conditions.
- d) This warranty is void if the product has been used for rental purpose.
- e) This warranty does not cover the damage resulting from modification, alteration or unauthorized repair.

- f) This warranty only covers defects arising under normal usage and does not cover any malfunction, failure or defect resulting from misuse, abuse (including overloading of the product beyond capacity and immersion in water or other liquid), accidents, neglect or lack of proper installation, and improper maintenance or storage.
- g) This warranty does not cover normal deterioration of the exterior finish, including but not limited to scratches, dents, paint chips, or to any corrosion or discoloring by heat, abrasive and chemical cleaners.

## HOW TO OBTAIN SERVICE

For warranty service, please contact EGO customer service toll-free at **1-855-EGO-5656**. When requesting warranty service, you must present the original dated sales receipt. An authorized service center will be selected to repair the product according to the stated warranty terms. When bringing your product to the authorized service center, there may be a small deposit that will be required when dropping off your tool. This deposit is refundable when the repair service is deemed to be covered under warranty.

## ADDITIONAL LIMITATIONS

To the extent permitted by applicable law, all implied warranties, including warranties of MERCHANTABILITY or FITNESS FOR A PARTICULAR PURPOSE, are disclaimed. Any implied warranties, including warranties of merchantability or fitness for a particular purpose, that cannot be disclaimed under state law are limited to the applicable warranty period defined at the beginning of this article.

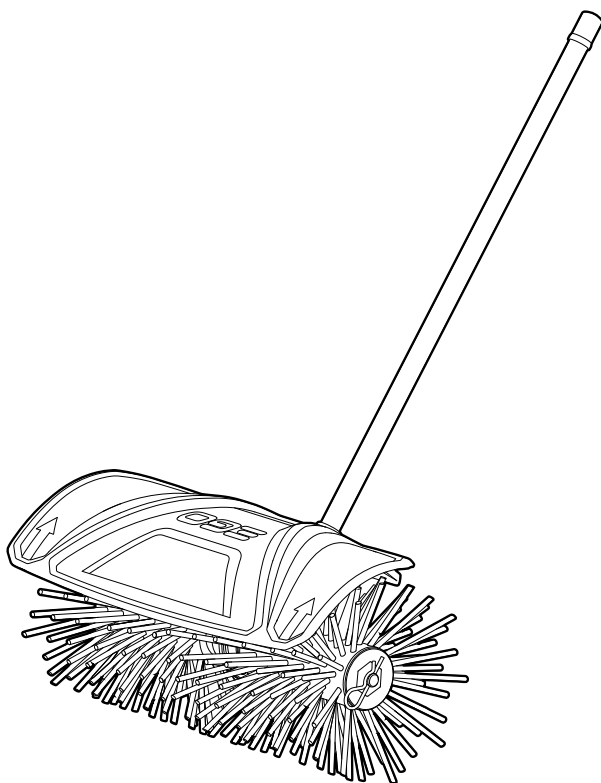
Chervon North America is not responsible for direct, indirect, incidental or consequential damages.

Some states do not allow limitations on how long an implied warranty lasts and/or do not allow the exclusion or limitation of incidental or consequential damages, so the above limitations may not apply to you.

This warranty gives you specific legal rights, and you may also have other rights which vary from state to state.

For customer service contact us toll-free at: **1-855-EGO-5656 or EGOPOWERPLUS.COM**. EGO Customer Service, 769 SEWARD AVE NW / Suite 102 Grand Rapids, MI 49504

# EGO™



À UTILISER UNIQUEMENT AVEC  
LA TÊTE D'ALIMENTATION EGO  
POWER+ PH1400/PH1400-FC

GUIDE D'UTILISATION

## BROSSE À SOIES AMOVIBLE

NUMÉRO DE MODÈLE BBA2100/BBA2100-FC

**⚠ AVERTISSEMENT :** Afin de réduire les risques de blessure, l'utilisateur doit lire et comprendre le guide d'utilisation avant d'utiliser ce produit. Conservez le présent guide afin de pouvoir le consulter ultérieurement.

# TABLE DES MATIÈRES

Symboles de sécurité .....	31
Consignes de sécurité importantes .....	32-37
Introduction .....	38
Caractéristiques techniques .....	39
Liste des pièces contenues dans l'emballage .....	39
Description .....	40-41
Assemblage .....	42-46
Fonctionnement .....	47-48
Entretien .....	49-52
Dépannage .....	53-54
Garantie .....	55-56

## LISEZ TOUTES LES INSTRUCTIONS!



LIRE ET COMPRENDRE  
LE GUIDE D'UTILISATION

**⚠ AVERTISSEMENT :** La poussière créée pendant le ponçage, le sciage, le polissage, le perçage et d'autres activités liées à la construction peut contenir des produits chimiques reconnus par l'État de la Californie comme étant la cause de cancers, d'anomalies congénitales et d'autres problèmes liés aux fonctions reproductrices. Voici des exemples de ces produits chimiques :

- Le plomb provenant de peintures à base de plomb;
- La silice cristallisée contenue dans les briques, le ciment et d'autres produits de maçonnerie;
- L'arsenic et le chrome contenus dans le bois d'œuvre traité avec des produits chimiques.

Les risques liés à l'exposition à ces produits varient en fonction de la fréquence à laquelle vous effectuez ce type de travaux. Pour réduire votre exposition à ces produits chimiques, travaillez dans une zone bien ventilée et portez l'équipement de sécurité approuvé, comme les masques antipoussières conçus pour ne pas laisser passer les particules microscopiques.

# SYMBOLES DE SÉCURITÉ

L'objectif des symboles de sécurité est d'attirer votre attention sur les dangers potentiels. Vous devez examiner attentivement et bien comprendre les symboles de sécurité et les explications qui les accompagnent. Les symboles d'avertissement en tant que tels n'éliminent pas le danger. Les consignes et les avertissements qui y sont associés ne remplacent en aucun cas les mesures préventives adéquates.

**⚠ AVERTISSEMENT** : Avant d'utiliser cet outil, assurez-vous de lire et de comprendre toutes les consignes de sécurité présentées dans le présent guide d'utilisation, notamment toutes les consignes de sécurité indiquées par « **DANGER** », « **AVERTISSEMENT** » et « **MISE EN GARDE** ». Le non-respect des consignes de sécurité ci-dessous peut occasionner une décharge électrique, un incendie ou des blessures graves.

## SIGNIFICATION DES SYMBOLES

**⚠ SYMBOLE D'ALERTE DE SÉCURITÉ** : Indique un **DANGER**, **AVERTISSEMENT** ou une **MISE EN GARDE**. Il peut être associé à d'autres symboles ou pictogrammes.




**⚠ AVERTISSEMENT!** L'utilisation de tout outil électrique peut entraîner la projection de corps étrangers dans les yeux et ainsi causer des lésions oculaires graves. Avant d'utiliser un outil électrique, veillez à toujours porter des lunettes de sécurité couvrantes ou à écrans latéraux, ou un masque complet au besoin. Nous recommandons le port d'un masque de sécurité panoramique par-dessus les lunettes ou de lunettes de sécurité standard avec écrans latéraux. Portez toujours des lunettes de sécurité conformes à la norme ANSI Z87.1.

## CONSIGNES DE SÉCURITÉ

Vous trouverez ci-dessous les symboles de sécurité qui peuvent être présents sur le produit, accompagnés de leur description. Vous devez lire, comprendre et suivre toutes les instructions présentes sur l'appareil avant de commencer à l'assembler ou à le manipuler.

	Alerte de sécurité	Indique un risque de blessure.
	Assurez-vous de lire et de comprendre le guide d'utilisation	Afin de réduire les risques de blessure, l'utilisateur doit lire et comprendre le guide d'utilisation avant d'utiliser ce produit.
	Portez des lunettes de sécurité	Portez toujours des lunettes de sécurité ou des lunettes protectrices pourvues d'écrans latéraux lorsque vous utilisez cet article.
	Portez des gants de protection	Protégez vos mains en portant des gants lorsque vous manipulez des lames. Des gants robustes et antidérapants améliorent votre prise et protègent vos mains.
	Ricochet	Des objets propulsés peuvent rebondir et causer des blessures ou des dommages matériels.
	Poussée de la brosse	Réaction de poussée générée lorsque les brosses en rotation entrent en contact avec le sol.



	Symboles de recyclage	Le produit fonctionne à l'aide de piles au lithium ion (Li-ion). La législation locale, provinciale ou fédérale peut interdire la mise au rebut des piles dans les ordures ménagères. Consultez l'organisme local de gestion des déchets au sujet des options de mise au rebut ou de recyclage.
IPX4	Indice de protection	Protection contre les éclaboussures d'eau
V	Volt	Tension
mm	Millimètre	Longueur ou taille
in.	Pouce	Longueur ou taille
kg	Kilogramme	Poids
lb	Livre	Poids
°C	Température en Celsius	Température
°F	Température en Fahrenheit	Température

## CONSIGNES DE SÉCURITÉ IMPORTANTES

**⚠ AVERTISSEMENT!** Lorsque vous utilisez des appareils électriques de jardinage, vous devez toujours suivre les consignes de sécurité élémentaires ci-dessous afin de réduire le risque d'incendie, de décharge électrique et de blessure.

## LISEZ TOUTES LES INSTRUCTIONS

**⚠ DANGER!** Ne comptez pas sur l'isolation de l'outil pour vous protéger des décharges électriques. Afin de réduire les risques d'électrocution, n'utilisez jamais l'outil à proximité de fils ou de câbles susceptibles d'être sous tension.

**⚠ MISE EN GARDE!** Portez des protecteurs d'oreilles appropriés lorsque vous utilisez l'outil. Dans certaines conditions et selon la durée d'utilisation, le bruit produit par ce produit peut entraîner une perte auditive.

- **Maintenez les enfants à l'écart.** Tous les visiteurs doivent se tenir à distance de la zone de travail. évitez les environnements dangereux. N'utilisez pas les appareils dans un endroit mouillé ou humide.
- **Évitez les environnements dangereux.** N'utilisez pas les appareils dans un endroit mouillé
- **Habillez-vous convenablement.** Ne portez pas de vêtements amples ni de bijoux qui peuvent s'accrocher. Ils pourraient se coincer dans les pièces mobiles de l'appareil. Le port de gants de caoutchouc et de chaussures adaptées est recommandé lorsque vous travaillez à l'extérieur. Portez une coiffe de protection pour retenir les cheveux longs.
- **Portez des lunettes de sécurité.** Portez toujours un masque de protection ou un masque antipoussières lorsque l'endroit est poussiéreux
- **Utilisez l'outil adapté à la tâche.** N'utilisez pas l'outil à des fins autres que celles pour lesquelles il a été conçu.
- **Ne forcez pas la brosse à soies.** Si vous l'utilisez au rythme approprié, il vous permettra de mieux accomplir le travail avec moins de risques de blessure.
- **Ne tendez pas les bras trop loin.** Gardez une position stable et un équilibre approprié en tout temps.
- **Soyez vigilant.** Concentrez-vous sur votre travail. Faites preuve de bon sens. N'utilisez pas l'appareil lorsque vous êtes fatigué.
- **N'utilisez pas la brosse à soies sous l'effet de l'alcool ou de drogues.**

- **Assurez-vous que les protecteurs sont bien en place et en état de fonctionnement.**

**⚠ AVERTISSEMENT!** Afin de réduire les risques de blessure, n'utilisez pas l'outil si le protecteur n'est pas en place.

- **Gardez les mains et les pieds à distance de la zone de coupe.**
- **Rangez la brosse à soies à l'intérieur.** Lorsque vous n'utilisez pas la brosse à soies, rangez-la à l'intérieur, hors de portée des enfants, dans un endroit sec et en hauteur ou dans un endroit verrouillé, et retirez le bloc-piles.
- **Entretenez soigneusement la brosse à soies.** Gardez la brosse à soies propre pour obtenir un meilleur rendement et pour réduire les risques de blessure. Suivez les instructions pour changer les accessoires. Les poignées doivent toujours être sèches, propres et exemptes d'huile ou de graisse
- **Vérifiez si des pièces sont endommagées.** Avant d'utiliser la brosse à soies, inspectez soigneusement les protecteurs ou les autres pièces endommagées pour déterminer s'ils peuvent fonctionner correctement et être utilisés normalement. Vérifiez l'alignement des pièces mobiles et leur fixation ainsi que l'état et l'assemblage des pièces, et recherchez tout autre problème pouvant nuire au fonctionnement de l'outil. Si un protecteur ou une autre pièce sont endommagés, il doit être réparé correctement ou remplacé par un centre de service autorisé à moins d'indications contraires dans le présent guide.
- **Avant chaque utilisation, dégagez l'aire de travail.** Enlevez tous les objets, comme les cailloux, les éclats de verre, les clous, les câbles ou les fils, qui pourraient être projetés par la brosse à soies amovible ou qui pourraient y rester coincés. Assurez-vous qu'il n'y a aucune personne ni aucun animal à moins de 30,5 m (100 pi).
- **Lorsque vous utilisez la brosse à soies, tenez-la fermement par les poignées, avec les deux mains. Tenez fermement les poignées.**
- **Évitez les démarrages accidentels :** ne transportez pas la brosse à soies en ayant le doigt sur la gâchette.
- **Ne faites pas fonctionner la brosse à soies dans un endroit présentant un risque d'explosion ni en présence de gaz.** Le moteur de la brosse à soies produit habituellement des étincelles qui pourraient enflammer les vapeurs.
- **Brosse à soies endommagée :** si vous heurtez un objet quelconque avec la brosse à soies, ou si un objet s'introduit dans la brosse à soies, arrêtez cette dernière immédiatement. Vérifiez si elle est endommagée et, le cas échéant, faites-la réparer avant de la réutiliser. N'utilisez pas la brosse à soies si le protecteur est brisé.

- **Si la brosse à soies se mettrait à vibrer de manière anormale, arrêtez le moteur et trouvez immédiatement la cause des vibrations.**
- **Remplacez immédiatement le rouleau à brosse endommagé. Ces pièces peuvent se briser à haute vitesse et causer des blessures graves, voire mortelles.**
- **Lorsque vous utilisez la brosse à soies, vérifiez-la régulièrement, ou dès que vous remarquez un changement au niveau du balayage.**
- **Pour réduire les risques de blessure causée par une perte de contrôle, n'utilisez jamais le taille-bordure lorsque vous êtes sur une échelle ou sur un autre type d'échafaudage instable. Ne tenez jamais le dispositif de coupe au-dessus de la taille.**
- **Ne rechargez pas le bloc-pile sous la pluie ni dans un endroit humide.**
- Utilisez seulement avec l'ensemble moteur PH1400/PH1400-FC alimenté par pile au lithium-ion de 56 V
- **Ne jetez pas le bloc-pile au feu. Les cellules pourraient exploser.** Consultez la réglementation locale pour connaître les instructions de mise au rebut.
- **N'ouvrez pas et n'abîmez pas le bloc-pile.** L'électrolyte qu'il contient est corrosif et peut causer des lésions oculaires ou cutanées. Il peut être toxique s'il est ingéré.
- **Manipulez le bloc-pile avec soin pour ne pas créer un court-circuit avec des matériaux conducteurs comme des bagues, des bracelets ou des clés.** Le bloc-pile ou le conducteur peuvent surchauffer et causer des brûlures.
- **Pièces de rechange.** - Lorsque vous procédez à l'entretien, utilisez uniquement des pièces de remplacement EGO identiques aux pièces d'origine. L'utilisation de tout autre accessoire peut augmenter le risque de blessure. Les outils munis d'un bloc-pile n'ont pas besoin d'être branchés sur une prise de courant. Par conséquent, ils sont toujours prêts à l'emploi. Gardez à l'esprit qu'il existe des dangers potentiels même lorsque l'outil ne fonctionne pas. Soyez prudents lorsque vous effectuez l'entretien ou des réparations.
- **Les outils munis d'un bloc-pile n'ont pas besoin d'être branchés sur une prise de courant. Par conséquent, ils sont toujours prêts à l'emploi.** Gardez à l'esprit qu'il existe des dangers potentiels même lorsque l'outil ne fonctionne pas. Soyez prudents lorsque vous effectuez l'entretien ou des réparations.

- **Enlevez ou débranchez le bloc-pile avant de procéder à l'entretien ou au nettoyage du taille-bordure ou de retirer des pièces.**
- **Ne nettoyez pas le taille-bordure avec un jet d'eau, car de l'eau pourrait s'infiltrer dans le moteur et les connexions électriques.**
- **N'exposez pas un bloc-piles ou un appareil à un feu ou à une température excessive.** L'exposition au feu ou à une température supérieure à 100 °C (212 °F) peut provoquer une explosion.
- **S'il se produit une situation qui ne figure pas dans le présent manuel, faites preuve de prudence et de jugement. Communiquez avec le centre de service à la clientèle d'EGO pour obtenir de l'aide.**
- **Conservez ces instructions.** Consultez-les régulièrement et utilisez-les pour expliquer le fonctionnement de l'outil à d'autres personnes qui l'utiliseraient. Si vous prêtez cet outil à une personne, prêtez-lui également ces instructions afin de prévenir un usage inapproprié et des blessures potentielles

**REMARQUE: CONSULTEZ LE GUIDE D'UTILISATION DE LA TÊTE D'ALIMENTATION POUR DAVANTAGE DE RÈGLES DE SÉCURITÉ**

## INTRODUCTION

Nous vous félicitons d'avoir choisi la tête d'alimentation EGO au lithium-ion de 56 volts. Elle a été conçue et fabriquée afin de vous offrir la meilleure fiabilité et le meilleur rendement possible.

Si vous éprouvez un problème que vous n'arrivez pas à régler facilement, **veuillez communiquer avec le centre de service à la clientèle d'EGO au 1 855 EGO-5656.**

Le présent guide contient des renseignements importants pour assembler, utiliser et entretenir en toute sécurité votre produit. Lisez-le soigneusement avant d'utiliser le produit. Conservez ce guide à portée de main afin de pouvoir le consulter à tout moment.

NUMÉRO DE SÉRIE \_\_\_\_\_ DATE D'ACHAT \_\_\_\_\_

NOUS VOUS RECOMMANDONS DE NOTER LE NUMÉRO DE SÉRIE ET LA DATE D'ACHAT ET DE LES CONSERVER EN LIEU SÛR AFIN DE POUVOIR LES CONSULTER ULTÉRIEUREMENT.

## CARACTÉRISTIQUES TECHNIQUES

Diamètre du rouleau brossier	250 mm (10 po)
Largeur de nettoyage	560 mm (22 po)
Température de fonctionnement	de -15 °C à -40 °C (de 5 °F à 104 °F)
Température de rangement	de -20 °C à -70 °C (de -4 °F à 158 °F)
Poids (y compris la garde)	5,05 kg (11.13 lb)

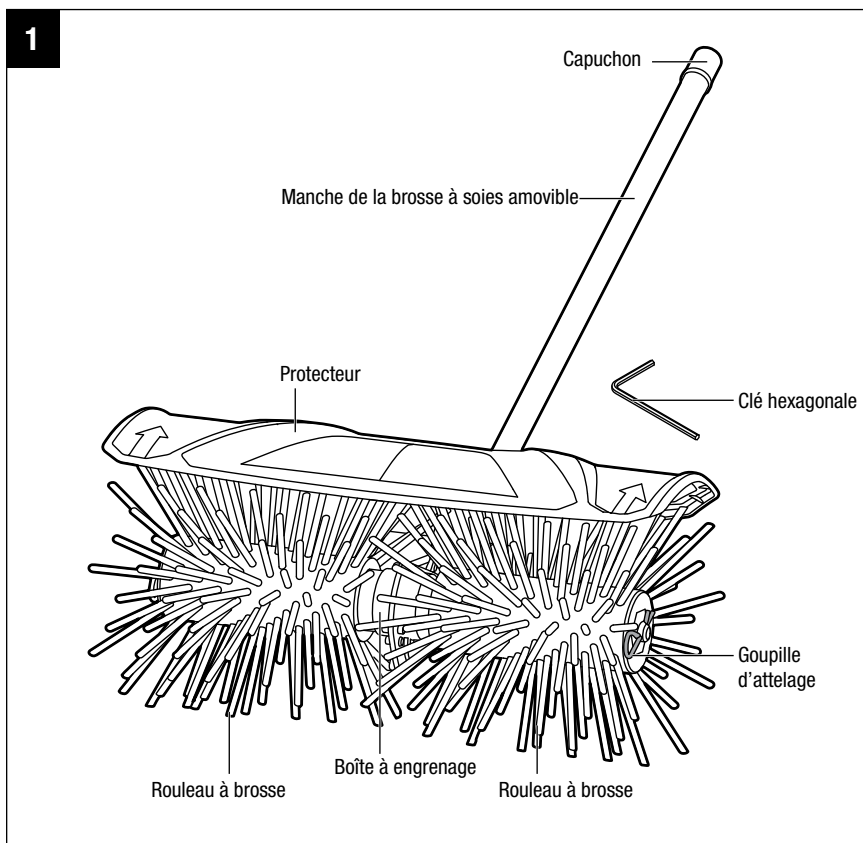
## LISTE DES PIÈCES CONTENUES DANS L'EMBALLAGE

NOM DE PIÈCE	QUANTITÉ
Brosse à soies amovible	1
Rouleau à brosse	2
Essieu moteur	2
Protecteur (avec boulon)	1
Clé hexagonale	1
Goupille d'attelage	2
Goupille de blocage	2
Guide d'utilisation	1

# DESCRIPCIÓN

## PRÉSENTATION DE VOTRE BROSSE À SOIES AMOVIBLE (Fig.1)

Pour utiliser ce produit en toute sécurité, vous devez comprendre les renseignements le concernant contenus dans ce guide d'utilisation et connaître le projet que vous entreprenez. Avant d'utiliser ce produit, familiarisez-vous avec toutes les caractéristiques de fonctionnement et consignes de sécurité.



**⚠ AVERTISSEMENT :** N'utilisez jamais l'outil si le protecteur n'est pas fixé fermement. Le protecteur doit toujours être installé sur l'outil pour protéger l'utilisateur.



## **CAPUCHON**

Empêche l'entrée de saletés et de débris dans la tige lorsque l'outil n'est pas utilisé.

## **PROTECTEUR**

Réduit les risques de blessure causée par la projection vers l'utilisateur d'objets quelconques et empêche tout contact avec les rouleaux à brosse.

## **GOUPILLE D'ATTELAGE**

Fixe les rouleaux à brosse en place et en facilite le retrait et l'installation.

## **ROULEAU À BROSSE**

Outil de balayage et de nettoyage

## **CLÉ HEXAGONALE**

Utilisée pour assembler le protecteur en plastique.

## ASSEMBLAGE

**⚠ AVERTISSEMENT :** S'il y a des pièces manquantes ou endommagées, ne tentez pas d'utiliser cet article tant que ces pièces n'auront pas été remplacées. Le fait d'utiliser cet article avec des pièces endommagées ou manquantes pourrait entraîner des blessures graves.

**⚠ AVERTISSEMENT :** Ne tentez pas de modifier cet article ou de créer des accessoires qui ne sont pas recommandés pour cet article. Toute modification est considérée comme un usage inapproprié et peut créer une situation dangereuse susceptible d'entraîner des blessures graves.

**⚠ AVERTISSEMENT :** Ne raccordez pas la brosse à soies à la tête d'alimentation avant la fin de l'assemblage. Le non-respect de ces consignes pourrait provoquer des mises en marche accidentelles ainsi que de graves blessures.

## DÉBALLAGE

- Cet article doit être assemblé.
- Retirez soigneusement l'outil et toutes les pièces de l'emballage. Assurez-vous que toutes les pièces mentionnées sur la liste de l'emballage sont présentes.

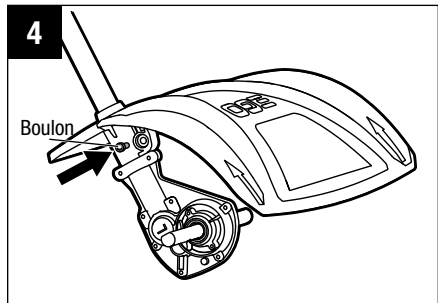
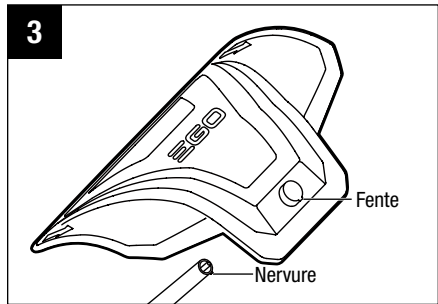
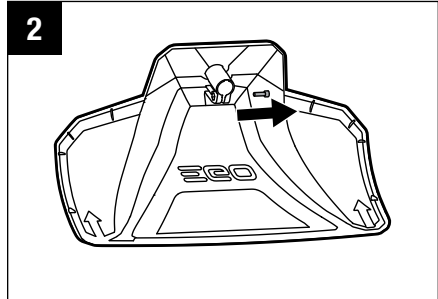
**⚠ AVERTISSEMENT :** N'utilisez pas ce produit si l'une ou l'autre des pièces figurant sur la liste des pièces est déjà assemblée à votre produit lors du déballage. Les pièces de cette liste ne sont pas assemblées au produit par le fabricant et doivent être installées par le client. L'utilisation d'un produit qui pourrait avoir été mal assemblé pourrait entraîner des blessures graves.

- Inspectez soigneusement l'outil pour vérifier qu'il n'a pas été endommagé pendant l'expédition.
- Ne jetez pas le matériel d'emballage avant d'avoir inspecté soigneusement la scie à chaîne et de l'avoir fait fonctionner de manière satisfaisante.
- S'il y a des pièces manquantes ou endommagées, veuillez retourner l'outil à l'endroit où vous l'avez acheté.

## MONTAJE DE LA PROTECCIÓN

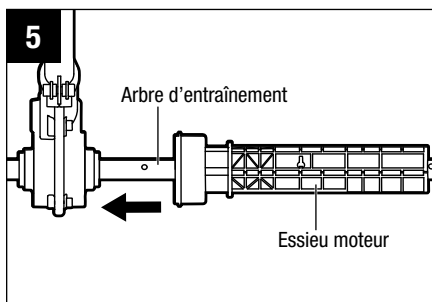
**⚠ AVERTISSEMENT :** Installez le protecteur avant de raccorder la brosse à soies amovible à la tête d'alimentation.

1. Desserrez et retirez le boulon du protecteur à l'aide de la clé hexagonale fournie (Fig. 2).
2. Soulevez le manche de la brosse à soies amovible et retirez l'embout du manche.
3. En alignant la fente du protecteur sur la nervure située à l'extrémité du manche, insérez le protecteur dans le manche jusqu'à ce que les trous de vis du protecteur et du manche soient alignés (Fig. 3 et 4).
4. Utilisez la clé hexagonale fournie pour serrer le boulon dans le sens des aiguilles d'une montre afin de fixer fermement le protecteur.



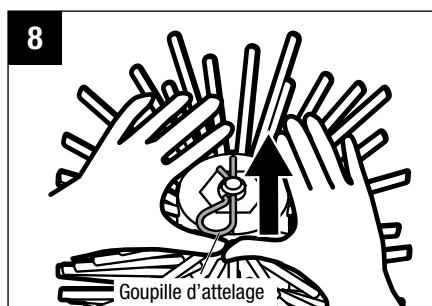
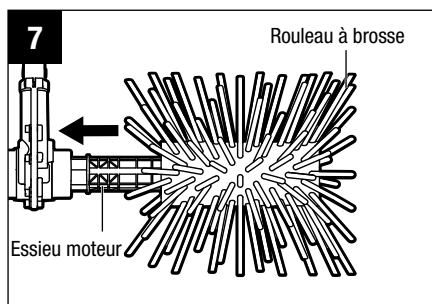
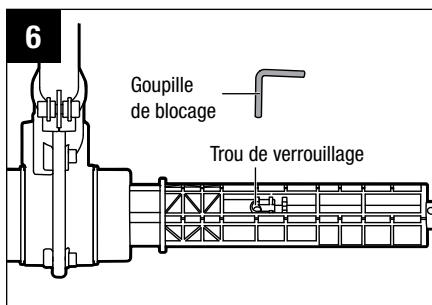
## INSTALLATION DES ROULEAUX À BROSSE

1. Poussez l'essieu moteur sur l'arbre d'entraînement (Fig. 5).
2. Pour fixer l'essieu moteur à l'arbre d'entraînement, insérez la goupille de blocage dans le trou de verrouillage.



**REMARQUE :** Vous devez installer la goupille de blocage correctement (Fig. 6).

3. Répétez ces étapes pour installer l'autre essieu moteur.
4. Poussez le rouleau à brosse sur l'essieu moteur (Fig. 7).
5. Pour fixer le rouleau à brosse à l'essieu moteur, insérez la goupille d'attelage dans le trou de verrouillage (Fig. 8).
6. Répétez ces étapes pour installer l'autre rouleau à brosse.



## RACCORDEMENT DE LA BROSSE À SOIES AMOVIBLE À LA TÊTE D'ALIMENTATION

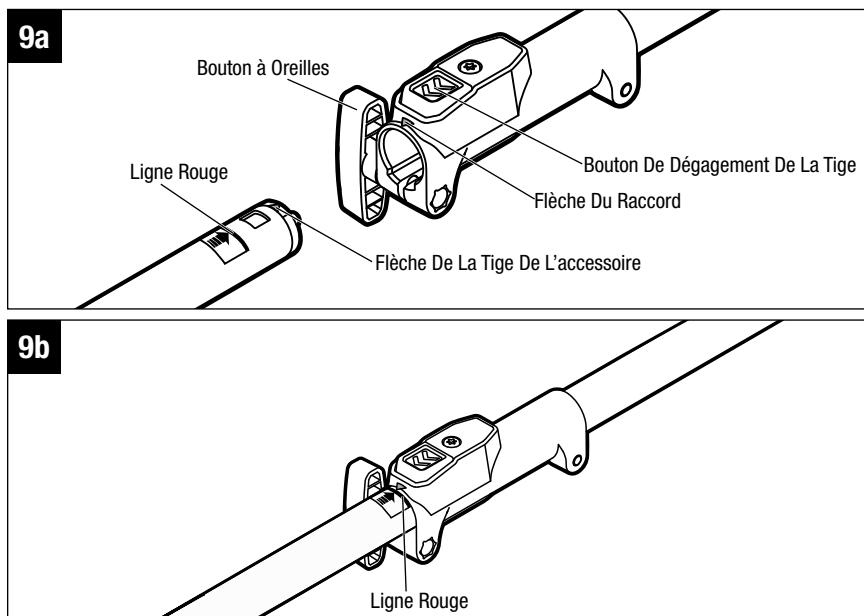
**⚠ AVERTISSEMENT :** Ne fixez ou n'ajustez jamais un accessoire si la tête d'alimentation est en marche ou si le bloc-piles est en place. Si vous n'arrêtez pas le moteur et ne retirez pas le bloc-piles, vous risquez de subir de graves blessures.

Cette brosse à soies amovible est conçue pour être utilisée avec la tête d'alimentation EGO PH1400/ PH1400-FC.

La brosse à soies amovible se branche à la tête d'alimentation grâce à un dispositif de raccord.

1. Arrêtez le moteur et enlevez le bloc-piles.
2. Desserrez le bouton à oreilles du raccord de la tête d'alimentation.
3. Si l'embout se trouve sur le manche de l'accessoire, retirez-le et conservez-le pour une utilisation ultérieure. Alignez la flèche du manche de la brosse à soies sur la flèche du dispositif de raccord (Fig. 9a) et poussez le manche de la brosse à soies dans le dispositif jusqu'à ce qu'un déclic se fasse entendre. Le dispositif de raccord doit être enfoncé jusqu'à la **LIGNE ROUGE** sur l'étiquette du manche : la ligne rouge doit être alignée sur le bord du dispositif de raccord (Fig. 9b).
4. Tirez sur le manche de la brosse à soies amovible pour vous assurer qu'il est bien verrouillé dans le dispositif de raccord. Si ce n'est pas le cas, faites tourner le manche de la brosse à soies d'un côté à l'autre dans le dispositif de raccord jusqu'à ce que vous entendiez un déclic net indiquant qu'il est emboîté.
5. Serrez fermement le bouton à oreilles.

**⚠ AVERTISSEMENT :** Assurez-vous que le bouton à oreilles du dispositif de raccord est serré fermement avant de manipuler l'outil. Inspectez-le régulièrement pendant l'utilisation pour vous assurer qu'il reste serré et pour prévenir des blessures graves.



## RETIREZ LE TAILLE-BORDURE DE L'ENSEMBLE MOTEUR

1. Arrêtez le moteur et enlevez le bloc-pile.
2. Desserrez le bouton à oreilles du raccord
3. Appuyez sur le bouton d'éjection du manche et, en le maintenant enfoncé, tirez ou tournez le manche de la brosse à soies amovible pour le séparer de la tête d'alimentation.

## FONCTIONNEMENT

**⚠ AVERTISSEMENT :** Même si vous connaissez parfaitement ce produit, soyez vigilant. N'oubliez pas qu'une fraction de seconde d'inattention suffit à se blesser grièvement.

**⚠ AVERTISSEMENT :** Portez toujours des lunettes de sécurité conformes à la norme ANSI Z87.1. Sinon, vous pourriez recevoir des débris dans les yeux et vous blesser grièvement.

**⚠ AVERTISSEMENT :** N'utilisez pas de pièces ni d'accessoires qui ne sont pas recommandés par le fabricant de ce produit. L'utilisation de pièces ou d'accessoires non recommandés peut causer des blessures graves.

## UTILISATIONS

Vous pouvez utiliser ce produit pour les types de travaux listés ci-dessous.

- Le nettoyage de surfaces et de routes, y compris des surfaces inégales et jointes.
- Le nettoyage d'entrées en asphalte ou en béton, de pavés, d'allées et de cours.

**AVIS :** pour réduire les risques de blessure, ne travaillez jamais sans garde.

**⚠ AVERTISSEMENT :** Lorsque vous utilisez cet outil, habillez-vous convenablement pour réduire les risques de blessures. Ne portez pas de vêtements amples ni de bijoux. Portez des protections pour les yeux et les oreilles. Portez un pantalon long et épais, des bottes et des gants. Ne portez pas de pantalon court ni de sandales. N'utilisez pas l'outil lorsque vous êtes pieds nus.

Si la surface à nettoyer est sèche, vaporisez de l'eau sur la surface pour réduire la quantité de poussière créée.

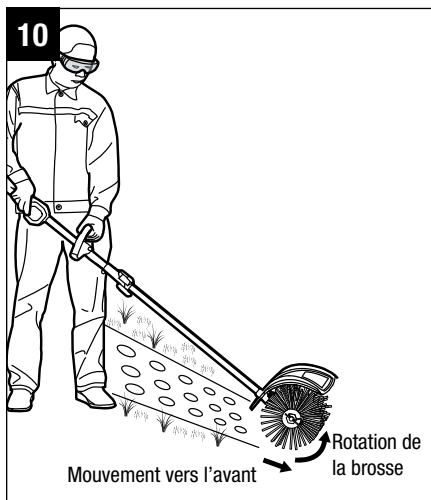
Vous devriez pousser la brosse à soies vers l'avant lorsque vous l'utilisez. Tenez la brosse à soies avec une main sur la poignée arrière et l'autre sur la poignée de manœuvre avant. Tenez fermement la brosse avec les deux mains lorsque vous l'utilisez.

Tenez la brosse à soies de façon à ce qu'elle soit à un angle faible. La brosse à soies a tendance à se déplacer vers l'utilisateur lorsqu'elle est tenue à un angle trop prononcé.

Tenez fermement l'outil et distribuez votre poids sur vos deux pieds (Fig.10).

La projection de matériaux peut blesser gravement l'utilisateur ou un passant. Afin de réduire les risques de blessure, vous devez prendre les précautions suivantes :

- Tenez toujours la brosse à soies à deux mains lorsque vous l'utilisez. Tenez fermement les deux poignées.
- Déplacez la brosse à soies jusqu'à l'aire de travail avant de la démarrer, et mettez-la en marche à basse vitesse.
- Pour réduire les risques de blessure causée par une perte de contrôle, tenez la brosse à soies de façon à ce qu'elle soit à un angle faible. La brosse à soies a tendance à se déplacer vers l'utilisateur lorsqu'elle est tenue à un angle trop prononcé.



## **Avant chaque utilisation, vérifiez si des pièces sont endommagées ou usées.**

Vérifiez le rouleau à brosse, le protecteur, la poignée de manœuvre avant et l'essieu moteur, puis remplacez toute pièce fissurée, déformée, tordue ou endommagée.

## **Nettoyez la brosse à soies après chaque utilisation.**

Des instructions pour le nettoyage de l'appareil se trouvent à la section Entretien.

**⚠ AVERTISSEMENT :** Assurez-vous que les rouleaux à brosse sont complètement arrêtés et que le bloc-piles est retiré avant de nettoyer ou de réparer la brosse à soies. Le non-respect de ces consignes pourrait provoquer de graves blessures.

## **MISE EN MARCHÉ ET ARRÊT DE L'OUTIL**

Consultez la section « **MISE EN MARCHÉ ET ARRÊT DE LA TÊTE D'ALIMENTATION** » du guide d'utilisation de la tête d'alimentation PH1400/ PH1400-FC.



## ENTRETIEN

**⚠ AVERTISSEMENT :** Lors de l'entretien, utilisez seulement des pièces de rechange identiques aux pièces d'origine. L'utilisation de toute autre pièce peut constituer un danger ou endommager le produit. Pour en assurer la sûreté et la fiabilité, toute réparation doit être effectuée par un détaillant ou un distributeur EGO autorisé.

**⚠ AVERTISSEMENT :** Les outils munis d'un bloc-pile n'ont pas besoin d'être branchés sur une prise de courant. Par conséquent, ils sont toujours prêts à l'emploi. Pour prévenir des blessures graves, prenez des précautions particulières lorsque vous effectuez l'entretien ou des réparations, ou lorsque vous remplacez le dispositif de coupe ou d'autres pièces.

**⚠ AVERTISSEMENT :** Pour prévenir les blessures graves, retirez le bloc-pile de l'ensemble moteur avant d'en effectuer l'entretien, de le nettoyer, de remplacer des accessoires ou lorsque le produit n'est pas utilisé. Les tâches d'entretien devraient être effectuées par des réparateurs qualifiés de taillebordures, à l'exception des tâches qui se retrouvent dans ces instructions d'entretien.

### ENTRETIEN GÉNÉRAL

Évitez d'utiliser des solvants sur les pièces en plastique. La plupart des plastiques sont susceptibles d'être endommagés par divers types de solvants commerciaux. Utilisez un linge propre pour enlever la saleté, la poussière, l'huile, la graisse, etc.

**⚠ AVERTISSEMENT :** Ne laissez-en aucun temps du liquide pour freins, de l'essence, des produits à base de pétrole, des huiles dégrippantes et autres produits de ce genre entrer en contact avec les pièces en plastique. Les produits chimiques peuvent endommager, affaiblir ou détruire le plastique et entraîner ainsi des risques de blessures graves.

**⚠ AVERTISSEMENT :** Lors du nettoyage de la brosse à soies amovible, NE l'immergez PAS dans l'eau ou dans un autre liquide. Ne nettoyez pas votre machine à l'aide d'une laveuse à pression. Le jet d'eau peut endommager les pièces de la machine.

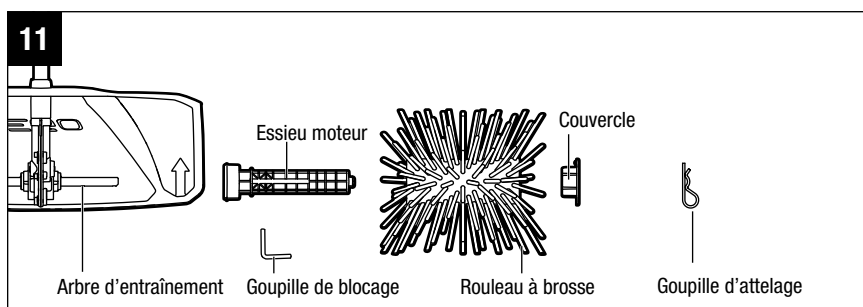
## ENTRETIEN DES ROULEAUX À BROSSE

- Nettoyez fréquemment les rouleaux à brosse.
- Si vous devez remplacer un rouleau à brosse endommagé, remplacez les deux rouleaux à brosse pour obtenir un rendement optimal.

Tout entretien de la brosse à soies, à l'exception des éléments énumérés dans ces instructions d'entretien, doit être effectué par un technicien autorisé.

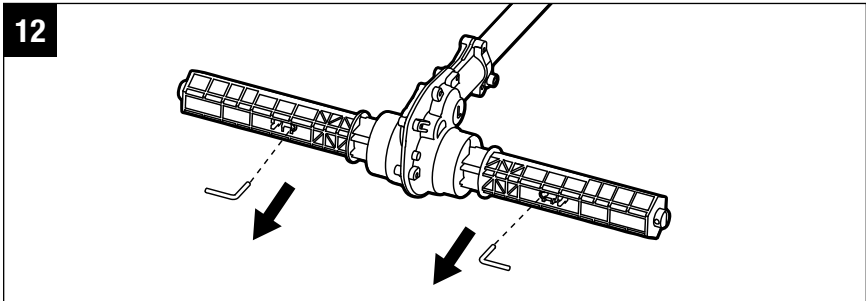
## REPLACEMENT DES ROULEAUX À BROSSE

**⚠ AVERTISSEMENT :** Un rouleau à brosse endommagé peut se briser en morceaux qui pourraient être projetés lorsque vous avez utilisé l'outil pendant une longue période. Les objets propulsés peuvent causer de graves blessures. Vérifiez régulièrement les rouleaux à brosse et n'utilisez pas la brosse à soies si des pièces sont usées ou endommagées.



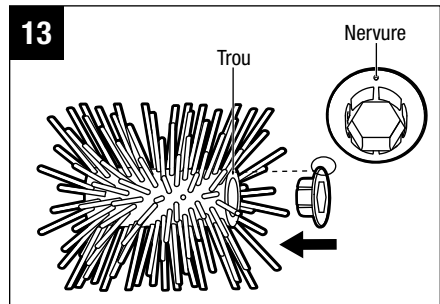
### Retrait (Fig. 11)

1. Retirez la goupille d'attelage de l'extrémité de l'essieu moteur.
2. Retirez le rouleau à brosse de l'essieu moteur.
3. Si l'essieu moteur est endommagé, retirez la goupille de blocage du trou de l'essieu moteur, puis retirez ce dernier de l'arbre d'entraînement (Fig. 12).
4. Si le couvercle est endommagé, retirez-le du rouleau à brosse et remplacez-le.
5. Répétez ces étapes pour retirer l'autre rouleau à brosse.



## Installation

1. Installez l'essieu moteur sur l'arbre d'entraînement et insérez la goupille de blocage dans le trou de l'essieu moteur (Fig. 6).
2. Installez le couvercle sur le rouleau à brosse en alignant la nervure du couvercle sur le trou du rouleau à brosse (Fig. 13).



3. Enfoncez le rouleau à brosse dans l'arbre d'entraînement (Fig. 7).
4. Insérez la goupille d'attelage dans le trou situé à l'extrémité de l'essieu moteur et pliez-la à plat.
5. Répétez ces étapes pour installer l'autre rouleau à brosse.

**⚠ AVERTISSEMENT :** Remplacez toujours les deux rouleaux à brosse au même moment.

## NETTOYAGE DE L'APPAREIL

- Retirez le bloc-piles.
- Nettoyez les morceaux de racines, de terre ou de plantes sur les rouleaux à brosse, le protecteur ou la boîte à engrenage. Pour un nettoyage complet, retirez les rouleaux à brosse et le protecteur et lavez-les soigneusement. Pour connaître les étapes de remplacement détaillées, veuillez consulter la section « **REMPLACEMENT DES ROULEAUX À BROSS** » ci-dessus.
- Assurez-vous que les événements d'aération ne sont jamais obstrués.

## **RANGEMENT DE L'APPAREIL**

- Retirez le bloc-piles de l'outil.
- Nettoyez soigneusement l'outil et inspectez les rouleaux à brosse.
- Retirez la brosse à soies amovible de la tête d'alimentation, puis placez un embout sur le manche de la brosse pour éviter que de la terre s'infilte dans le dispositif de raccord.
- Rangez l'outil dans un endroit sec, bien aéré, surélevé ou verrouillé, et hors de portée des enfants. Ne rangez pas l'outil sur des engrais, de l'essence ou d'autres produits chimiques, ni à proximité de ces produits.

# DÉPANNAGE

PROBLÈME	CAUSE	SOLUTION
La brosse à soies ne démarre pas.	<ul style="list-style-type: none"> <li>■ Le bloc-piles n'est pas installé correctement dans la tête d'alimentation.</li> <li>■ Il n'y a pas de contact électrique entre la tête d'alimentation et le bloc-piles.</li> <li>■ Le bloc-piles est déchargé.</li> <li>■ Le levier de blocage et la gâchette de la tête d'alimentation ne sont pas enclenchés simultanément.</li> <li>■ Au-delà des raisons énoncées ci-dessus, la brosse à soies ne démarre toujours pas.</li> </ul>	<ul style="list-style-type: none"> <li>■ Installez le bloc-piles sur la tête d'alimentation.</li> <li>■ Retirez le bloc-piles, vérifiez les contacts électriques, puis réinstallez le bloc-piles afin qu'il s'enclenche.</li> <li>■ Chargez le bloc-piles avec un chargeur EGO indiqué dans ce guide.</li> <li>■ Pour mettre en marche l'outil, maintenez le levier de blocage enfoncé lorsque vous appuyez sur la gâchette.</li> <li>■ Communiquez avec le service à la clientèle d'EGO.</li> </ul>
La brosse à soies est endommagée de façon évidente.	<ul style="list-style-type: none"> <li>■ Dommages anormaux survenus lors du transport ou de l'utilisation.</li> </ul>	<ul style="list-style-type: none"> <li>■ Communiquez avec le service à la clientèle d'EGO.</li> </ul>

<b>PROBLÈME</b>	<b>CAUSE</b>	<b>SOLUTION</b>
La brosse à soies s'arrête en cours de fonctionnement.	<ul style="list-style-type: none"><li>■ Le moteur est surchargé.</li><li>■ Le bloc-piles ou la tête d'alimentation est trop chaud.</li><li>■ Le bloc-piles est débranché de l'outil.</li><li>■ Le bloc-piles est déchargé.</li><li>■ Au-delà des raisons énoncées ci-dessus, la brosse à soies ne démarre toujours pas.</li></ul>	<ul style="list-style-type: none"><li>■ Le moteur fonctionnera de nouveau sans problème lorsque la cause de la surcharge sera éliminée. Pour assurer un fonctionnement continu, réduisez la charge sur la brosse à soies.</li><li>■ Laissez le bloc-piles et la tête d'alimentation refroidir; leur température doit être inférieure à 67 °C (152 °F).</li><li>■ Réinstallez le bloc-piles.</li><li>■ Chargez le bloc-piles avec un chargeur EGO indiqué dans ce guide.</li><li>■ Communiquez avec le service à la clientèle d'EGO.</li></ul>

# GARANTIE

## POLITIQUE D'EGO EN MATIÈRE DE GARANTIE

Garantie limitée de 5 ans sur les équipements d'alimentation électrique d'extérieur EGO POWER+ et les équipements d'alimentation électrique portable pour un usage personnel et domestique.

Garantie limitée de 3 ans sur les blocs-piles et chargeurs du système EGO POWER+ pour un usage personnel et domestique.

Garantie limitée de 2 ans/1 an sur les équipements d'alimentation électrique d'extérieur, les équipements d'alimentation électrique portables, les blocs-piles et les chargeurs EGO pour un usage professionnel et commercial.

La durée et les détails de la garantie de chaque produit sont indiqués en ligne à l'adresse <http://egopowerplus.com/pages/warranty-policy>.

**Veillez communiquer avec le service à la clientèle d'EGO au 1 855 EGO-5656 (numéro sans frais)** pour toute question sur les réclamations au titre de la garantie.

## GARANTIE LIMITÉE

Les produits EGO sont garantis contre tout défaut de matériel ou de fabrication à compter de la date d'achat d'origine pour la période de garantie applicable. Les produits défectueux recevront une réparation gratuite.

- a) Cette garantie s'applique uniquement à l'acheteur initial s'étant procuré le produit chez un détaillant EGO autorisé et est non transférable. La liste des détaillants EGO autorisés est publiée en ligne sur le site <http://egopowerplus.com/pages/warranty-policy>.
- b) La période de garantie pour les produits remis en état ou certifiés par l'usine utilisés à des fins résidentielles est de 1 an, et de 90 jours lorsqu'ils sont utilisés à des fins industrielles, professionnelles ou commerciales.
- c) La période de garantie pour les pièces d'entretien régulier, y compris, sans s'y limiter, les lames, les têtes de taille-bordure, les guides-chaînes, les chaînes de scie, les courroies, les barres de raclage, les buses de souffleur, ainsi que tous les autres accessoires EGO, est de 90 jours lorsqu'elles sont utilisées à des fins résidentielles et de 30 jours lorsqu'elles sont utilisées à des fins industrielles, professionnelles ou commerciales. Ces pièces sont couvertes contre les défauts de fabrication pour une période de 90 jours ou de 30 jours si elles sont utilisées dans des conditions de travail normales.

- d) La présente garantie n'est pas valide si le produit a été utilisé aux fins de location.
- e) La présente garantie ne couvre pas les dommages résultant d'une modification, d'une altération ou d'une réparation non autorisée.
- f) Cette garantie couvre uniquement les défauts survenant dans des conditions normales d'utilisation et ne couvre aucun dysfonctionnement ou défaut ni aucune défaillance découlant d'un usage inapproprié ou abusif (notamment la surcharge du produit et son immersion dans l'eau ou dans tout autre liquide), d'un accident, d'une négligence, d'une installation inadéquate et de tout entretien ou entreposage inadéquat.
- g) La présente garantie ne couvre pas la détérioration normale du fini extérieur, notamment les rayures, les bosselures, les craquelures de la peinture ou toute corrosion ou décoloration résultant de la chaleur, de produits abrasifs ou de nettoyeurs chimiques.

## RÉCLAMATION AU TITRE DE LA GARANTIE

Pour faire une réclamation au titre de la garantie, veuillez communiquer avec le service à la clientèle d'EGO au **1 855 EGO-5656** (numéro sans frais). Lorsque vous faites une réclamation au titre de la garantie, vous devez présenter le reçu de vente original. Un centre de service autorisé sera sélectionné pour la réparation du produit conformément aux conditions de garantie prescrites. Il se peut qu'un petit dépôt soit exigé lorsque vous laissez votre outil dans un centre de service autorisé. Ce dépôt est remboursable lorsque le service de réparation est considéré comme étant couvert par la garantie.

## RESTRICTIONS SUPPLÉMENTAIRES

Dans la mesure permise par la loi en vigueur, toutes les garanties implicites, y compris les garanties de QUALITÉ MARCHANDE ou D'ADÉQUATION À UN USAGE PARTICULIER, sont exclues. Toute garantie implicite, y compris la garantie de qualité marchande ou d'adéquation à un usage particulier, qui ne peut être rejetée en vertu de la loi de l'État ou de la province est limitée à la période de garantie applicable définie au début de cet article.

Chervon North America n'est pas responsable des dommages accessoires, consécutifs, indirects ou directs.

Certaines provinces n'autorisent pas les restrictions de durée de garantie implicite, ou l'exclusion ou la restriction des dommages consécutifs et accessoires; c'est pourquoi les restrictions ci-dessus peuvent ne pas s'appliquer à votre cas.

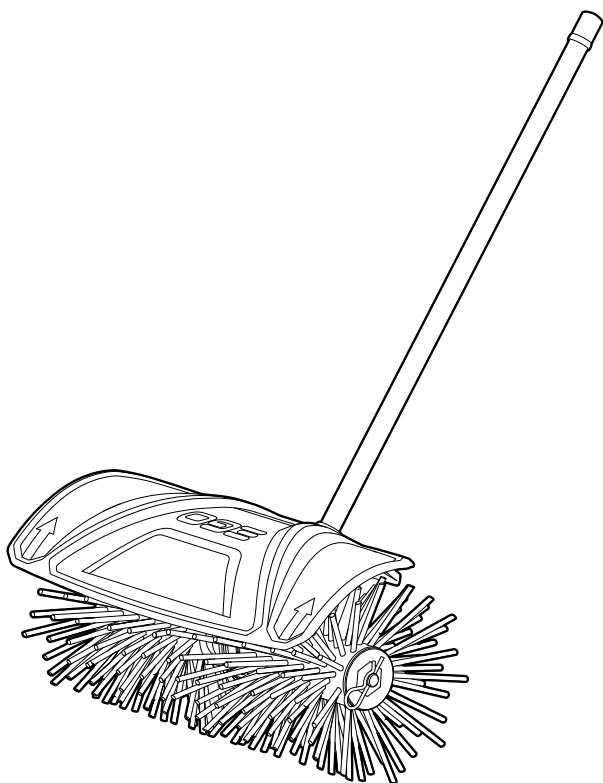
Cette garantie vous confère des droits précis. Il est possible que vous disposiez également d'autres droits, qui varient d'une province à l'autre.

Pour communiquer avec le service à la clientèle, veuillez composer le numéro sans frais suivant : **1 855 EGO-5656** ou consulter le site Web **EGOPOWERPLUS.COM**.

EGO Customer Service, 769 SEWARD AVE NW / Suite 102 Grand Rapids, MI 49504, États-Unis.



# EGO™



PARA USO EXCLUSIVO CON EL  
CABEZAL ELÉCTRICO EGO POWER+  
PH1400/PH1400-FC

## MANUAL DEL OPERADOR

# ACCESORIO DE CEPILLO DE CERDAS

### NÚMERO DE MODELO BBA2100/BBA2100-FC

**⚠ ADVERTENCIA:** para reducir el riesgo de lesiones, el usuario debe leer y comprender el Manual del usuario antes de usar este producto. Guarde estas instrucciones para consultarlas en el futuro.

# ÍNDICE

Símbolos de seguridad .....	60
Instrucciones importantes de seguridad .....	61-66
Introducción .....	67
Especificaciones .....	68
Lista de empaque .....	68
Descripción .....	69-70
Ensamblaje .....	71-75
Funcionamiento .....	76-77
Mantenimiento .....	78-80
Solución de problemas .....	81-82
Garantía .....	83-84

# ¡LEA TODAS LAS INSTRUCCIONES!



LEA Y COMPRENDA EL  
MANUAL DEL USUARIO

**⚠ ADVERTENCIA:** Parte del polvo producto del lijado, aserrado, esmerilado, taladrado y otras actividades de construcción, contiene sustancias químicas que el estado de California reconoce como causantes de cáncer, defectos congénitos u otros daños al sistema reproductor. Algunos ejemplos de estas sustancias químicas son los siguientes:

- Plomo de pinturas a base de plomo;
- Sílice cristalina de ladrillos, cemento y otros productos de mampostería; y
- Arsénico y cromo de madera tratada químicamente.

El riesgo de sufrir estas exposiciones varía según la frecuencia con que realice este tipo de trabajo. Medidas para reducir la exposición a estos químicos: trabaje en un lugar bien ventilado y con equipos de seguridad aprobados, como las mascarillas antipolvo que están diseñadas especialmente para filtrar partículas microscópicas.

## SÍMBOLOS DE SEGURIDAD

El propósito de los símbolos de seguridad es alertarlo sobre posibles peligros. Los símbolos de seguridad y sus explicaciones merecen una atención y comprensión minuciosas. Las advertencias de los símbolos, por sí mismas, no eliminan los peligros. Las instrucciones y las advertencias no sustituyen las medidas de prevención de accidentes que correspondan.

**⚠ ADVERTENCIA:** Antes de utilizar esta herramienta, asegúrese de leer y comprender todas las instrucciones de seguridad en este Manual del usuario, incluidos todos los símbolos de alerta de seguridad como “**PELIGRO**”, “**ADVERTENCIA**” y “**PRECAUCIÓN**”. No seguir todas las instrucciones que se indican a continuación podría resultar en descargas eléctricas, incendios y/o lesiones personales graves.

### SIGNIFICADO DE LOS SÍMBOLOS

**⚠ SÍMBOLO DE ALERTA DE SEGURIDAD:** Indica **PELIGRO**, **ADVERTENCIA** O **PRECAUCIÓN**. Puede aparecer junto con otros símbolos o pictografías.




**⚠ ¡ADVERTENCIA!** La utilización de herramientas eléctricas puede hacer que algunos objetos extraños golpeen los ojos y cause heridas graves. Antes de comenzar a operar una herramienta eléctrica, use siempre gafas protectoras o gafas de seguridad con blindaje lateral y un protector facial si es necesario. Le recomendamos usar una máscara de seguridad de visión amplia sobre anteojos o gafas de seguridad estándar con protección lateral. Use siempre lentes de protección con la marca de cumplimiento de la norma ANSI Z87.1.

# INSTRUCCIONES DE SEGURIDAD

Esta página muestra y describe los símbolos de seguridad que pueden aparecer en este producto. Lea, comprenda y siga todas las instrucciones de la máquina antes de ensamblarla y utilizarla.

	<p>Alerta de seguridad</p>	<p>Indica que existe el riesgo de que se produzcan lesiones personales.</p>
	<p>Lea y comprenda el Manual del usuario</p>	<p>Para reducir el riesgo de lesiones, el usuario debe leer y comprender el Manual del operador antes de utilizar este producto.</p>
	<p>Use lentes de protección</p>	<p>Cuando utilice este producto, siempre use gafas o lentes de seguridad con protecciones laterales.</p>
	<p>Use guantes de protección</p>	<p>Use guantes para proteger las manos cuando manipule las cuchillas. Los guantes para trabajo pesado antideslizantes mejoran el agarre y protegen las manos.</p>
	<p>Rebote</p>	<p>Los objetos que lanza la máquina pueden rebotar y producir lesiones personales o daños a la propiedad.</p>
	<p>Empuje del cepillo</p>	<p>La reacción de empuje generada al girar los cepillos entra en contacto con el suelo.</p>

	Símbolos de reciclaje	Este producto utiliza baterías de iones de litio. Las leyes locales, estatales o federales podrían prohibir la eliminación de baterías en basureros comunes. Consulte con la autoridad reguladora de desechos local para obtener información sobre las opciones de reciclaje o eliminación disponibles.
IPX4	Grado de protección de admisión	Protección contra las salpicaduras.
V	Voltio	Voltaje
mm	Milímetro	Largo o tamaño
in.	Pulgada	Largo o tamaño
kg	Kilogramo	Peso
lb	Libra	Peso
°C	Grados Celsius	Temperatura
°F	Grados Fahrenheit	Temperatura

## INSTRUCCIONES IMPORTANTES DE SEGURIDAD

**⚠ ADVERTENCIA!** Al usar aparatos eléctricos de jardinería, siempre se deben tomar medidas de seguridad básicas para reducir el riesgo de incendios, descargas eléctricas o lesiones personales, incluidas las siguientes:

### LEA TODAS LAS INSTRUCCIONES

**⚠ ELIGRO!** No dependa del aislamiento de la herramienta para evitar las descargas eléctricas. Para reducir el riesgo de electrocución, nunca opere la herramienta en las cercanías de cables que conducen corriente eléctrica.

**⚠ RECAUCIÓN!** Use protección auditiva personal adecuada durante la manipulación. Bajo algunas condiciones y períodos de uso, el ruido de este product podría contribuir a la pérdida de la audición.

- **Mantenga a los niños alejados:** todos los visitantes deben mantenerse alejados del área de trabajo.
- **Evite entornos peligrosos:** no use la herramienta en lugares húmedos o mojados.
- **Vístase de manera adecuada: no use ropa holgada ni joyas.** Estas pueden quedar atascadas en las piezas móviles. Se recomienda usar guantes y calzado de goma para trabajar en exteriores. Use protección para el cabello a fin de contener el cabello largo.
- **Use gafas de seguridad:** use siempre una máscara o mascarilla antipolvo si operará en una zona con mucho polvo.
- **Use la herramienta adecuada:** no use el aparato para ninguna otra tarea que no sea la prevista.
- **No fuerce el cepillo de cerdas:** este funcionará mejor y con menos probabilidades de producir lesiones si se usa al ritmo para el cual se diseñó.
- **No se extralimite:** mantenga el punto de apoyo y el equilibrio adecuado en todo momento.
- **Manténgase alerta:** concéntrese en lo que hace. Use el sentido común. No opere el aparato si está cansado
- **No use el cepillo de cerdas bajo los efectos del alcohol o de drogas.**
- **Mantenga las protecciones en su lugar y en buen estado.**

**⚠ ADVERTENCIA!** Para reducir el riesgo de lesiones personales, no opere sin las protecciones en su lugar.

- **Mantenga las manos y los pies alejados del área de corte.**
- **Guarde el cepillo de cerdas en interiores:** cuando no esté en uso, el cepillo de cerdas debe guardarse en interiores, en un lugar seco y alto o bajo llave, sin el paquete de baterías y alejado del alcance de los niños.
- **Cuide el cepillo de cerdas:** mantenga limpio el accesorio de cepillo de cerdas para obtener mejores resultados y reducir el riesgo de lesiones. Siga las instrucciones para el cambio de accesorios. Mantenga las manijas limpias, secas y libres de aceite y grasa.
- **Revise las piezas dañadas:** antes de seguir utilizando el cepillo de cerdas, debe verificar detenidamente que el protector o cualquier otra pieza dañada, funcionen correctamente para determinar si funcionará correctamente y si cumplirá la función deseada. Verifique la alineación y la unión de las piezas móviles, la ruptura de las piezas, la instalación y cualquier otro tipo de condición que pueda afectar el funcionamiento. Los protectores u otras piezas dañadas deben repararse de manera adecuada o cambiarse en un centro de servicio autorizado, a menos que se indique lo contrario en este manual.
- **Despeje el área que va a cortar antes de cada uso.** Retire todos los objetos como piedras, vidrios rotos, clavos, alambres o cordeles que puedan ser arrojados o atascarse en el accesorio de cepillo de cerdas. Asegúrese de que las demás personas y las mascotas estén a un mínimo de 30,5 m (100 pies) de distancia.
- **Siempre sostenga el cepillo de cerdas con firmeza y mantenga ambas manos en las manijas durante la operación. Coloque los dedos y pulgares alrededor de las manijas.**
- **Evite los arranques accidentales:** no transporte el cepillo de cerdas con el dedo en el gatillo.
- **No opere el cepillo de cerdas en entornos gaseosos o explosivos.** Los motores de estos aparatos comúnmente producen chispas, las que pueden encender los vapores.
- **Daños en el cepillo de cerdas:** si golpea un objeto extraño con el cepillo de cerdas o si este se atasca, detenga la herramienta de inmediato, revise si hay daños y, si los hay, repárelos antes volver a usarlo. No opere si algún protector está dañado.
- **Si el equipo comienza a vibrar de manera anormal, detenga el motor y busque la causa de inmediato.**



- **Reemplace el rodillo del cepillo dañado inmediatamente.** Dichos accesorios podrían desprenderse a alta velocidad y provocar lesiones graves o fatales.
- **Revise el accesorio del cepillo de cerdas con frecuencia durante el funcionamiento o inmediatamente si nota un cambio evidente en el comportamiento de barrido.**
- **Para reducir el riesgo de lesiones debido a la pérdida de control, nunca trabaje sobre una escalera ni sobre ninguna superficie no segura. Nunca sostenga el accesorio de corte sobre la altura de la cintura**
- **No cargue el paquete de baterías bajo la lluvia o en lugares húmedos.**
- Use solo con el cabezal motor PH1400/PH1400-FC de iones de litio de 56 V.
- **No arroje las baterías al fuego.** Las celdas pueden explotar. Consulte los códigos locales para conocer las posibles instrucciones de desecho especiales.
- **No abra ni rompa la batería.** Los electrolitos liberados son corrosivos y pueden causar daños en los ojos o la piel. Si se traga puede ser tóxico.
- **Manipule las baterías con cuidado para no acortar su vida útil con materiales conductores como anillos, brazaletes y llaves.** La batería o el conductor podrían sobrecalentarse y producir quemaduras
- **Piezas de repuesto** - al realizarle mantenimiento, utilice solo piezas de repuesto EGO idénticas. El uso de cualquier otro accesorio puede aumentar el riesgo de lesiones.
- **Las herramientas a batería no necesitan estar conectadas a un enchufe, por lo tanto siempre se encuentran en condiciones de funcionar.** Conozca los peligros posibles que existen aun cuando la herramienta no esté en funcionamiento. Tenga cuidado al realizarle mantenimiento o repararla
- **Retire o desconecte el paquete de baterías antes de hacer el mantenimiento, limpiar o quitar material de la orilladora de hilo.**
- **No lave la orilladora de hilo con una manguera; evite que el motor y las conexiones eléctricas se mojen.**
- **No exponga el paquete de baterías ni el electrodoméstico al fuego o a una temperatura excesiva.** La exposición al fuego o a temperaturas por encima de los 100 °C (212°F) podría causar una explosión
- **Si se presentan situaciones que no están previstas en este manual, tenga cuidado y use el sentido común.** Póngase en contacto con el Centro de Servicio al Cliente de EGO para recibir ayuda.

- **Guarde estas instrucciones.** Consúltelas con frecuencia y úselas para dar instrucciones a otras personas que puedan usar esta herramienta. Si le presta esta herramienta a alguien, préstele también estas instrucciones para evitar el mal uso del producto y posibles lesiones.

**NOTA: CONSULTE EL MANUAL DEL USUARIO DEL CABEZAL MOTOR PARA CONOCER REGLAS ESPECÍFICAS DE SEGURIDAD ADICIONALES.**

## INTRODUCCIÓN

Felicitaciones por haber elegido un CEPILLO DE CERDAS EGO. Ha sido concebido, diseñado y fabricado para brindarle la mayor confiabilidad y el mejor rendimiento.

En caso de que tuviera algún problema que no pudiera resolver fácilmente, **póngase en contacto con el Centro de Servicio al Cliente de EGO llamando al 1-855-EGO-5656.**

Este manual contiene información importante para el ensamble, la operación y el mantenimiento seguro de su orilladora de hilo. Léalo atentamente antes de usar la orilladora de hilo. Mantenga este manual a mano para poder consultarlo en cualquier momento

NÚMERO DE SERIE \_\_\_\_\_ FECHA DE COMPRA \_\_\_\_\_

DEBE ANOTAR EL NÚMERO DE SERIE Y LA FECHA DE COMPRA Y CONSERVARLOS EN UN LUGAR SEGURO PARA CONSULTARLOS EN EL FUTURO.

## ESPECIFICACIONES

Diámetro del cilindro del cepillo	10 pulgadas (250 mm)
Franja de limpieza	22 pulgadas (560 mm)
Temperatura de operación	5 °F-104 °F (-15 °C a 40 °C)
Temperatura de almacenamiento	-4 °F-158 °F (-20 °C a 70 °C)
Peso (incluido el guardia)	11,13 lb (5,05 kg)

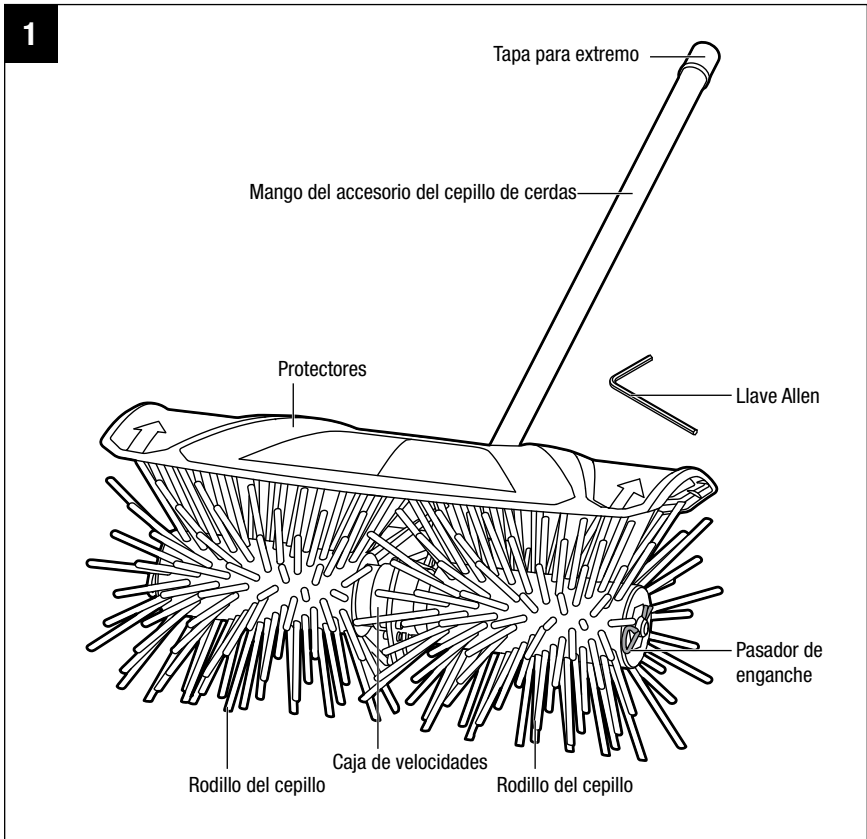
## LISTA DE EMPAQUE

<b>NOMBRE DE LA PIEZA</b>	<b>CANTIDAD</b>
Accesorio de cepillo de cerdas	1
Rodillo del cepillo	2
Eje motor	2
Protector (con perno)	1
llave Allen	1
Pasador de enganche	2
Pasador de seguridad	2
Manual del operador	1

# DESCRIPCIÓN

## CONOZCA SU ACCESORIO DE CEPILLO DE CERDAS (Fig.1)

El uso seguro de este producto requiere la comprensión de la información impresa en la herramienta y en el Manual del usuario, así como ciertos conocimientos sobre el proyecto a realizar. Antes de usar este producto, familiarícese con todas las características operativas y reglas de seguridad.



**⚠ ADVERTENCIA:** nunca opere la herramienta si la protección no está bien colocada en su lugar. La protección debe estar siempre en la herramienta para proteger al usuario.

**TAPA PARA EXTREMO**

Protege el mango del ingreso de polvo y desechos cuando la herramienta no se utiliza.

**PROTECTORES**

Reduce el riesgo de lesiones por objetos extraños expulsados en dirección al operador y por el contacto con los rodillos del cepillo.

**PASADOR DE ENGANCHE**

Asegura los rodillos del cepillo y simplifica el retiro y la instalación de estos.

**RODILLO DEL CEPILLO**

Herramienta para barrido y remoción

**LLAVE ALLEN**

Ensambla el protector de plástico.

## ENSAMBLAJE

**⚠ ADVERTENCIA:** si hay piezas dañadas o faltan piezas, no utilice el producto hasta que las reemplace. Usar este producto con piezas dañadas o faltantes podría provocar lesiones personales graves.

**⚠ ADVERTENCIA:** No intente modificar este producto ni crear accesorios que no sean recomendados para utilizar con este producto. Cualquier alteración o modificación se considera un uso inapropiado y podría generar una condición peligrosa y provocar lesiones personales graves.

**⚠ ADVERTENCIA:** no conecte el cepillo de cerdas al cabezal de potencia hasta que el ensamble esté completo. La falta de cumplimiento puede provocar arranques accidentales y lesiones personales graves.

## RETIRO DEL EMPAQUE

- Este producto requiere de ensamblado.
- Retire el producto y los accesorios de la caja cuidadosamente. Asegúrese de que todos los elementos que aparecen en la lista de empaque estén incluidos.

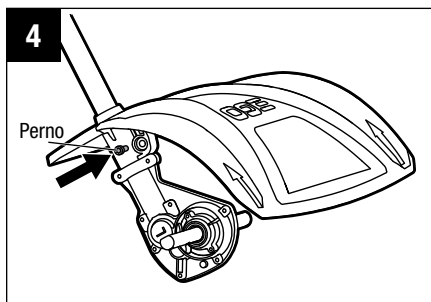
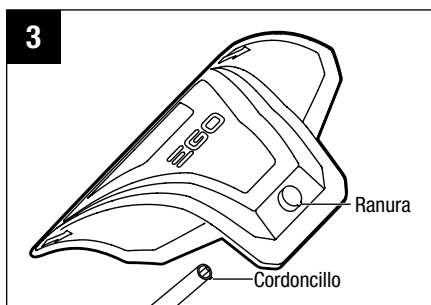
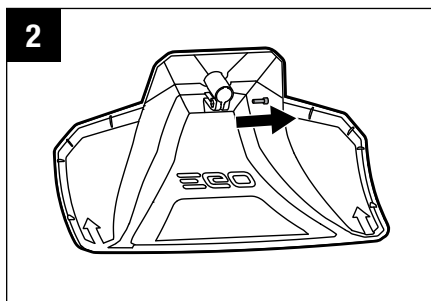
**⚠ ADVERTENCIA:** no use este producto si cualquiera de las piezas de esta lista de empaque ya está ensamblada al producto cuando lo desembale. El fabricante no ensambla las piezas de esta lista al producto y se requiere que el cliente lo haga. Si se usa un producto con piezas ensambladas incorrectamente, pueden producirse lesiones personales graves.

- Inspeccione cuidadosamente la herramienta para asegurarse de que no se produjo ninguna ruptura o daño durante su envío.
- No deseche el material de embalaje hasta que haya inspeccionado cuidadosamente y utilizado satisfactoriamente la herramienta.
- Si hay piezas faltantes o dañadas, devuelva este producto al lugar donde lo compró.

## MONTAJE DE LA PROTECCIÓN

**⚠ ADVERTENCIA:** instale el protector antes de conectar el accesorio del cepillo de cerdas al cabezal de potencia.

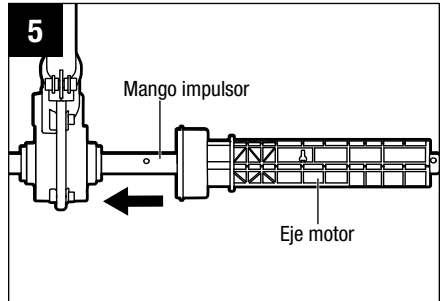
1. Afloje y retire el perno del protector con la llave Allen provista (Fig. 2).
2. Levante el mango del accesorio del cepillo de cerdas y retire la tapa para el extremo del mango.
3. Con la ranura del mango alineada con el cordoncillo del extremo del mango, atraviese el protector con el mango hasta que se alineen los orificios para tornillos del protector y del mango (Fig. 3 y 4).
4. Use la llave Allen provista para apretar el perno en dirección de las manecillas del reloj y así asegurar el protector firmemente.





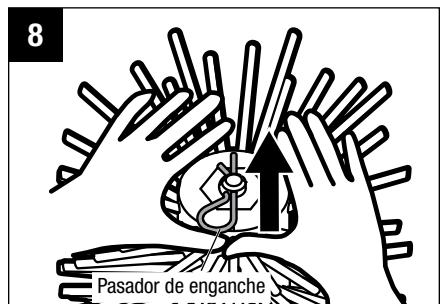
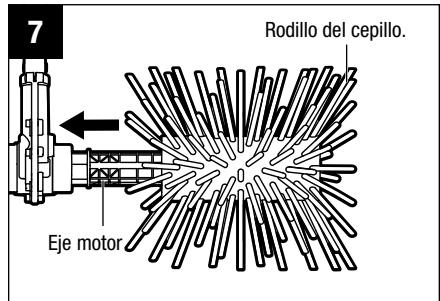
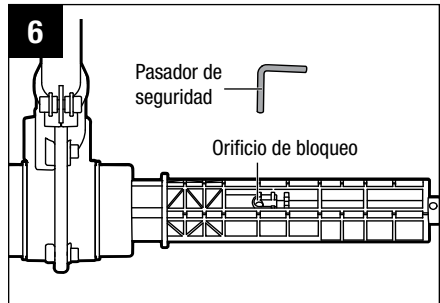
## MONTAJE DE LOS RODILLO DEL CEPILLO

1. Presione el eje motor en el mango impulsor (Fig. 5).
2. Para asegurar el eje motor en el mango impulsor, inserte el pasador de seguridad en el orificio de bloqueo.



**NOTA:** el pasador de seguridad debe instalarse correctamente (Fig. 6).

3. Siga los mismos pasos para montar el otro eje motor.
4. Presione el rodillo del cepillo sobre el eje motor (Fig. 7).
5. Inserte el pasador de enganche en el orificio de bloqueo para fijar el rodillo del cepillo en el eje motor. (Fig. 8).
6. Siga los mismos pasos para montar el otro rodillo del cepillo.



## CÓMO CONECTAR EL ACCESORIO DEL CEPILLO DE CERDAS AL CABEZAL DE POTENCIA

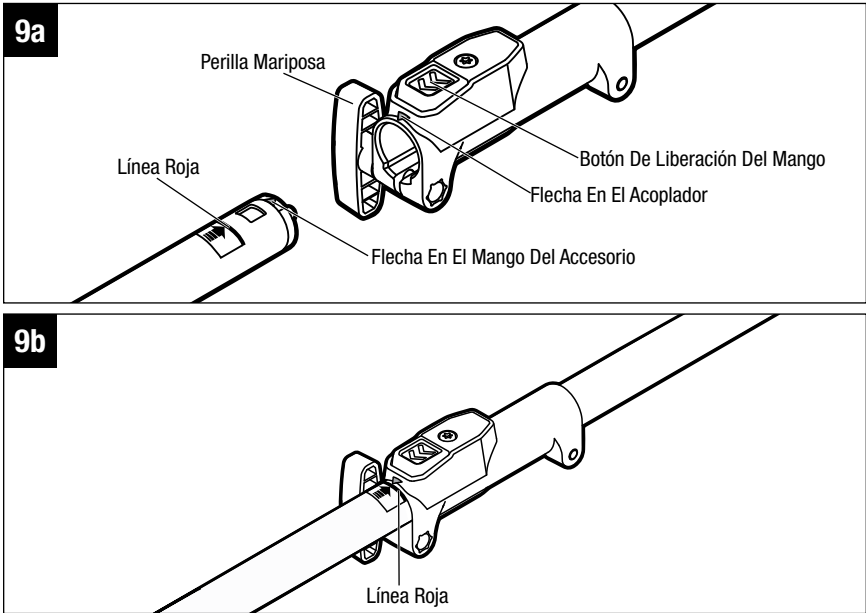
**⚠ ADVERTENCIA:** nunca coloque ni ajuste ningún accesorio si el cabezal de potencia está funcionando o con la batería instalada. No detener el motor ni retirar la batería puede ocasionar lesiones personales graves.

Este accesorio de cepillo de cerdas está diseñado para utilizarse con el cabezal de potencia EGO PH1400/ PH1400-FC.

El accesorio de cepillo de cerdas se conecta al cabezal de potencia mediante un dispositivo acoplador.

1. Detenga el motor y retire el paquete de baterías.
2. Afloje la perilla mariposa del acoplador de cabezal de potencia.
3. Si la tapa para el extremo se encuentra en el mango del accesorio, quítela y guárdela para utilizarla posteriormente. Alinee la flecha en el mango del cepillo de cerdas con la flecha en el acoplador (Fig. 9a) y presione el mango del cepillo de cerdas hacia el acoplador hasta que escuche el sonido “CLIC”. El acoplador debe colocarse hasta la etiqueta con la **LÍNEA ROJA** en el mango: hasta que la marca de la línea roja quede alineada con el borde del acoplador (Fig. 9b).
4. Jale el mango del accesorio de cepillo de cerdas para verificar que esté firmemente asegurado en el acoplador. De no ser así, rote el mango del cepillo de cerdas de un lado a otro en el acoplador hasta escuchar un sonido claro de “CLIC” que indique que se ha enganchado.
5. Apriete firmemente la perilla mariposa.

**⚠ ADVERTENCIA:** asegúrese de que la perilla mariposa del acoplador esté completamente apretada antes de operar el equipo; inspecciónela periódicamente para comprobar que esté apretada durante el uso para evitar lesiones personales graves.



## RETIRAR EL ACCESORIO DEL CABEZAL MOTOR

1. Detenga el motor y retire el paquete de baterías.
2. Afloje la perilla mariposa.
3. Presione el botón de liberación del mango y, con el botón presionado, jale y gire el mango del accesorio del cepillo de cerdas fuera del acoplador para separarlo del cabezal de potencia.

## FUNCIONAMIENTO

**⚠ ADVERTENCIA:** no permita que familiarizarse con este producto lo vuelva imprudente. Recuerde que un descuido de una fracción de segundo es suficiente para ocasionar lesiones graves.

**⚠ ADVERTENCIA:** use siempre lentes de protección que cumplan con la norma ANSI Z87.1. De lo contrario, podría provocar que se disparen objetos hacia sus ojos y otras posibles lesiones graves.

**⚠ ADVERTENCIA:** no use ningún aditamento ni accesorio que no haya sido recomendado por el fabricante de este producto. El uso de aditamentos o accesorios diferentes a los recomendados podría provocar lesiones graves.

## APLICACIONES

Puede usar este producto para los fines que se indican a continuación.

- Limpieza de áreas y caminos, incluidas las superficies irregulares y conectadas.
- Limpieza de entradas de garaje, senderos y jardines de pavimento/concreto/asfalto.

**AVISO:** para reducir el riesgo de lesiones, nunca trabaje sin la protección.

**⚠ ADVERTENCIA:** use ropa adecuada para reducir el riesgo de lesiones cuando opere esta herramienta. No use ropa holgada ni joyas. Use protección para los ojos y las orejas. Use pantalones largos para trabajo pesado, botas y guantes. No use pantalones cortos, sandalias, ni tenga los pies descalzos. Use una máscara o mascarilla antipolvo en lugares donde hay polvo.

Si la superficie que se limpiará está seca, rocíela con agua para reducir la cantidad de polvo generado.

Debe trabajar con el cepillo de cerdas hacia delante. Sostenga el cepillo de cerdas con una mano sobre la manija posterior y con la otra mano sobre la manija de ayuda frontal. Sostenga la herramienta firmemente con ambas manos al operarla.

Sostenga y guíe el cepillo de cerdas en un ángulo bajo. Si el cepillo de cerdas se mantiene en un ángulo demasiado elevado, el cepillo tiende a retroceder hacia el operador.

Manténgase firme y en equilibrio con ambos pies (Fig. 10).

Los materiales arrojados pueden lesionar gravemente al operador o espectador. A fin de reducir el riesgo de lesiones personales, es fundamental tomar las siguientes precauciones:

- Sostenga siempre el cepillo de cerdas con ambas manos cuando lo utilice. Sujete ambas manijas con firmeza.
- Desplace el cepillo de cerdas hacia el área de trabajo antes de comenzar e inicie el cepillo a una velocidad baja.
- Para reducir el riesgo de lesiones debido a la pérdida de control, sostenga y guíe el cepillo de cerdas a un ángulo bajo. Si el cepillo de cerdas se mantiene en un ángulo demasiado elevado, el cepillo tiende a retroceder hacia el operador.



### Revise si hay piezas dañadas o desgastadas antes de cada uso.

Revise el rodillo del cepillo, el protector, la manija de ayuda frontal y el eje motor, y reemplace cualquier pieza agrietada, torcida, doblada o dañada.

### Limpie el cepillo de cerdas después de cada uso.

Para obtener instrucciones sobre la limpieza del producto, consulte la sección Mantenimiento.

**⚠ ADVERTENCIA:** asegúrese de que el rodillo del cepillo se detenga completamente y que la batería se quite antes de limpiar o realizarle mantenimiento al cepillo de cerdas. No cumplir con este paso podría causar posibles lesiones personales graves.

### CÓMO ENCENDER/DETENER LA HERRAMIENTA

Consulte la sección "CÓMO ENCENDER/DETENER EL CABEZAL DE POTENCIA" en el manual del operador del cabezal de potencia PH1400/PH1400-FC.

## MANTENIMIENTO

**⚠ ADVERTENCIA:** al realizar mantenimiento, utilice solo piezas de repuesto idénticas a las de fabricación. El uso de cualquier otra pieza puede crear un peligro o causar daños en el producto. Para garantizar la seguridad y confiabilidad, toda reparación debe ser realizada solo por concesionario o distribuidor autorizado por EGO.

**⚠ ADVERTENCIA:** Las herramientas a batería no necesitan estar conectadas a un enchufe, por lo tanto siempre se encuentran en condiciones de funcionar. Para evitar lesiones personales graves, tome precauciones adicionales y tenga cuidado al realizar mantenimiento, reparar o cambiar el accesorio de corte u otros accesorios.

**⚠ ADVERTENCIA:** Para evitar lesiones personales graves, retire siempre el paquete de baterías del cabezal motor antes de realizarle mantenimiento, limpiarlo, cambiar los accesorios adicionales o cuando el producto no está en uso. Todos los servicios de la orilladora de hilo, que no estén enumerados en estas instrucciones de mantenimiento, deben realizarse por un personal de servicios de la orilladora de hilo competente.

### MANTENIMIENTO GENERAL

Evite utilizar solventes para limpiar las piezas de plástico. La mayoría de los plásticos tienden a dañarse con los distintos tipos de solventes comerciales. Utilice un paño limpio para eliminar la suciedad, el polvo, el aceite, la grasa, etc.

**⚠ ADVERTENCIA:** Nunca deje que el líquido de frenos, la gasolina, los productos a base de petróleo, los aceites penetrantes, etc. entren en contacto con las piezas plásticas. Los productos químicos pueden dañar, debilitar o destruir el plástico, lo que puede resultar en lesiones graves.

**⚠ ADVERTENCIA:** al limpiar el accesorio de cepillo de cerdas, NO lo sumerja en agua ni en ningún otro líquido. No limpie la máquina con un equipo de lavado con agua a presión. El chorro de agua sólido puede dañar las piezas de la máquina.

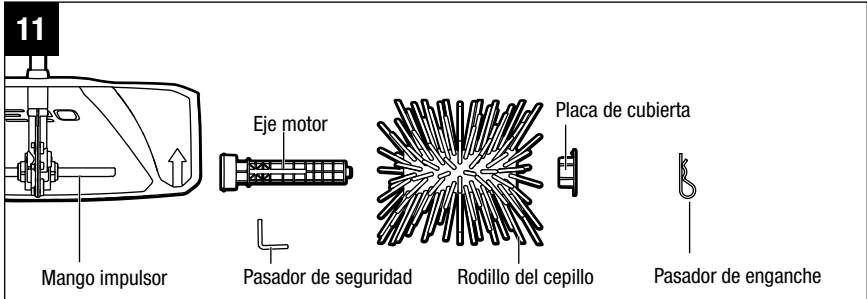
### MANTENIMIENTO DEL RODILLO DEL CEPILLO

- Limpie el rodillo del cepillo con frecuencia.
- Si alguno de los rodillos del cepillo necesita reemplazo debido a daños, reemplace ambos rodillos para obtener un mejor rendimiento.

Todo mantenimiento del cepillo de cerdas que no esté enumerado en estas instrucciones de mantenimiento debe estar a cargo de personal de servicio autorizado.

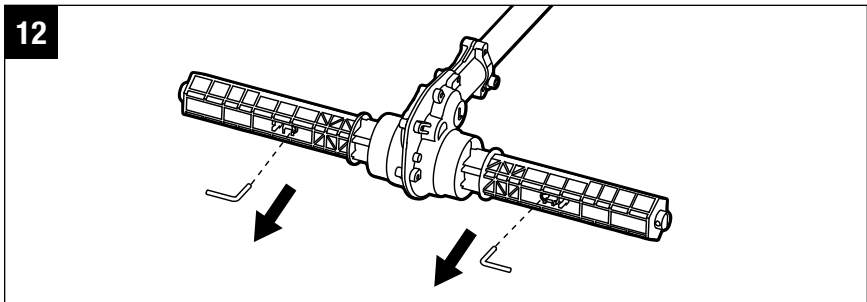
## CÓMO REEMPLAZAR LOS RODILLOS DEL CEPILLO

**⚠ ADVERTENCIA:** un rodillo de cepillo dañado puede romperse en pedazos tras un largo período de uso, lo cual puede causar proyectiles peligrosos. Los objetos arrojados pueden causar lesiones graves. Inspecciónelo periódicamente y no opere dicho cepillo si este tiene partes gastadas o dañadas.



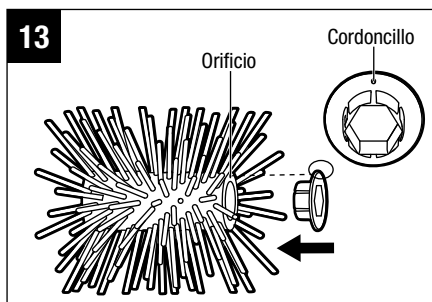
### Retiro (Fig. 11)

1. Retire el pasador de enganche de uno de los extremos del eje motor.
2. Jale el rodillo del cepillo del eje motor.
3. Si el eje motor está dañado, retire el pasador de seguridad del orificio de dicho eje y jale el eje motor del mango impulsor (Fig. 12).
4. Si la placa de cubierta está dañada, retírela del rodillo del cepillo y reemplácela.
5. Siga los mismos pasos para retirar el otro rodillo del cepillo.



## Cómo realizar la instalación

1. Instale el eje motor en el mango impulsor e inserte el pasador de seguridad en el orificio del eje motor (Fig. 6).
2. Instale la placa de cubierta en el rodillo del cepillo con el cordoncillo de la placa de cubierta alineada con el orificio del rodillo del cepillo (Fig. 13).
3. Presione el rodillo del cepillo en el mango impulsor (Fig. 7).
4. Inserte el pasador de enganche en el orificio del extremo del eje motor y pliéguelo.
5. Siga los mismos pasos para montar el otro rodillo del cepillo.



**⚠ ADVERTENCIA:** siempre reemplace ambos rodillos del cepillo al mismo tiempo.

## LIMPIEZA DE LA UNIDAD

- Retire la batería.
- Limpie los restos de raíces, la suciedad obstruida o las plantas de los rodillos, el protector o la caja de velocidades. Para una limpieza profunda, retire los rodillos y el protector del cepillo para lavarlos completamente. Para conocer los pasos de reemplazo detallados, consulte la sección anterior **“CÓMO REEMPLAZAR LOS RODILLOS DEL CEPILLO”**.
- Mantenga los conductos de ventilación libres de obstrucciones.

## ALMACENAMIENTO DE LA UNIDAD

- Retire el paquete de baterías de la herramienta.
- Limpie la herramienta completamente e inspeccione los rodillos del cepillo.
- Retire el accesorio del cepillo de cerdas del cabezal de potencia y cubra el mango del accesorio con la tapa para el extremo para evitar que entre suciedad en el acoplador.
- Almacene la herramienta en un lugar seco y bien ventilado, alto o con seguro y fuera del alcance de los niños. No almacene la unidad sobre o cerca de fertilizantes, gasolina u otros productos químicos.



## SOLUCIÓN DE PROBLEMAS

PROBLEMA	CAUSA	SOLUCIÓN
El cepillo de cerdas no funciona.	<ul style="list-style-type: none"> <li>■ El paquete de baterías no está fijado correctamente al cabezal de potencia.</li> <li>■ No hay contacto eléctrico entre el cabezal de potencia y el paquete de baterías.</li> <li>■ El paquete de baterías está agotado.</li> <li>■ La palanca de bloqueo y el interruptor no se presionaron simultáneamente.</li> <li>■ Todavía no funciona más allá de los motivos antes mencionados.</li> </ul>	<ul style="list-style-type: none"> <li>■ Ensamble el paquete de baterías al cabezal de potencia.</li> <li>■ Retire la batería, revise los contactos y vuelva a instalar el paquete de baterías de modo que encaje en su lugar.</li> <li>■ Cargue el paquete de baterías con un cargador EGO indicado en este manual.</li> <li>■ Mantenga presionada la palanca de bloqueo y pulse el gatillo para encenderla.</li> <li>■ Póngase en contacto con el Servicio al Cliente de EGO.</li> </ul>
El cepillo de cerdas está visiblemente dañado.	<ul style="list-style-type: none"> <li>■ Daño anormal durante el transporte o uso.</li> </ul>	<ul style="list-style-type: none"> <li>■ Póngase en contacto con el Servicio al Cliente de EGO.</li> </ul>

PROBLEMA	CAUSA	SOLUCIÓN
<p>El cepillo de cerdas deja de funcionar mientras cepilla.</p>	<ul style="list-style-type: none"> <li>■ El motor está sobrecargado.</li>   <li>■ El paquete de baterías o el cabezal de potencia están muy calientes.</li>   <li>■ El paquete de baterías está desconectado de la herramienta.</li>   <li>■ El paquete de baterías está agotado.</li>   <li>■ Todavía no funciona más allá de los motivos antes mencionados.</li> </ul>	<ul style="list-style-type: none"> <li>■ El motor se recuperará cuando se retire la carga. Para un funcionamiento continuo, reduzca la carga del cepillo de cerdas.</li>   <li>■ Deje que el paquete de baterías o que el cabezal de potencia se enfríen hasta que la temperatura caiga por debajo de los 67 °C (152 °F).</li>   <li>■ Vuelva a instalar el paquete de baterías.</li>   <li>■ Cargue el paquete de baterías con un cargador EGO indicado en este manual.</li>   <li>■ Póngase en contacto con el Servicio al Cliente de EGO.</li> </ul>

# GARANTÍA

## POLÍTICA DE GARANTÍA

Garantía limitada de 5 años en equipos de energía para exteriores y energía portátil EGO POWER+ para uso doméstico personal.

Garantía limitada de 3 años en paquetes de baterías y cargadores con el Sistema EGO POWER+ para uso doméstico personal.

Garantía limitada de 2 años/1 año en equipos de energía para exteriores, energía portátil, paquetes de baterías y cargadores EGO para uso profesional y comercial.

Los períodos de garantía detallados por productos se pueden encontrar en línea en <http://egopowerplus.com/pages/warranty-policy>.

**Póngase en contacto con Servicio al Cliente de EGO de manera gratuita al 1-855-EGO-5656**, cuando tenga preguntas o reclamaciones de garantía.

## GARANTÍA LIMITADA DE SERVICIO

Los productos EGO están garantizados contra defectos de material o de fabricación a partir de la fecha de compra original al por menor durante el período de garantía aplicable. El producto defectuoso será reparado gratuitamente.

- a) Esta garantía se aplica solo al comprador original del distribuidor minorista autorizado de EGO y podría no ser transferible. Los distribuidores minoristas autorizados de EGO se identifican en línea, en <http://egopowerplus.com/pages/warranty-policy>.
- b) El período de garantía para productos reacondicionados o certificados de fábrica que se utilizan para fines residenciales es de 1 año, para fines industriales, profesionales o comerciales es de 90 días.
- c) El período de garantía para piezas del mantenimiento de rutina, incluidas, entre otras, cuchillas, cabezales de orilladoras, listones de cadenas, cadenas de motosierras, correas, barras raspadoras, boquillas de sopladores y todos los demás accesorios EGO, es de 90 días con fines residenciales y de 30 días para propósitos industriales, profesionales o comerciales. Estas piezas tienen cobertura durante 90/30 días por defectos de fabricación en condiciones normales de trabajo.
- d) Esta garantía queda nula si el producto se ha puesto en alquiler.
- e) Esta garantía no cubre daños producto de modificaciones, alteraciones o reparaciones no autorizadas.

- f) Esta garantía solo cubre defectos que surjan del uso normal y no cubre el mal funcionamiento, las fallas ni los defectos que resulten del mal uso, el abuso (que incluye la sobrecarga del producto más allá de su capacidad y sumergirlo en agua o en cualquier otro líquido), accidentes, negligencia o falta de instalación adecuada y mantenimiento o almacenamiento inadecuados.
- g) Esta garantía no cubre el deterioro normal del acabado exterior, incluidos, entre otros, rayones, abolladuras, trozos de pintura o cualquier corrosión o decoloración producida por el calor o limpiadores químicos y abrasivos.

## CÓMO OBTENER EL SERVICIO

Para obtener el servicio de garantía, póngase en contacto con Servicio al Cliente de EGO de manera gratuita al **1-855-EGO-5656**. Cuando pida un servicio cubierto por la garantía, debe presentar el recibo con la fecha original de venta. Un centro de servicio autorizado será seleccionado para reparar el producto de acuerdo con los términos establecidos en la garantía. Cuando lleve el producto al centro de servicio autorizado, es posible que deba hacer un pequeño depósito cuando deje la herramienta. Este depósito se reembolsará cuando se considere que el servicio de reparación se haya cubierto con la garantía.

## LIMITACIONES ADICIONALES

En la medida en que la ley aplicable lo permita, se deniegan todas las garantías implícitas, inclusive las garantías de COMERCIALIZIDAD o IDONEIDAD PARA UN PROPÓSITO ESPECÍFICO. Todas las garantías implícitas, inclusive las garantías de comerciabilidad o idoneidad para un propósito específico, que no se puedan denegar bajo la ley estatal, están limitadas al período de garantía aplicable definido al comienzo de este artículo.

Chervon North America no se hará responsable por daños directos, indirectos, accidentales o resultantes.

Algunos estados no permiten limitaciones con respecto a la duración de una garantía implícita y/o no permiten la exclusión o limitación de daños accidentales o resultantes, de modo que las limitaciones antes descritas podrían no aplicarse en su caso.

Esta garantía le otorga derechos legales específicos, pero podría tener también otros derechos que varían según el estado.

Para obtener el servicio al cliente, póngase en contacto con nosotros de manera gratuita al: **1-855-EGO-5656** o visite: **EGOPOWERPLUS.COM**  
EGO Customer Service, 769 SEWARD AVE NW / Suite 102 Grand Rapids, MI 49504