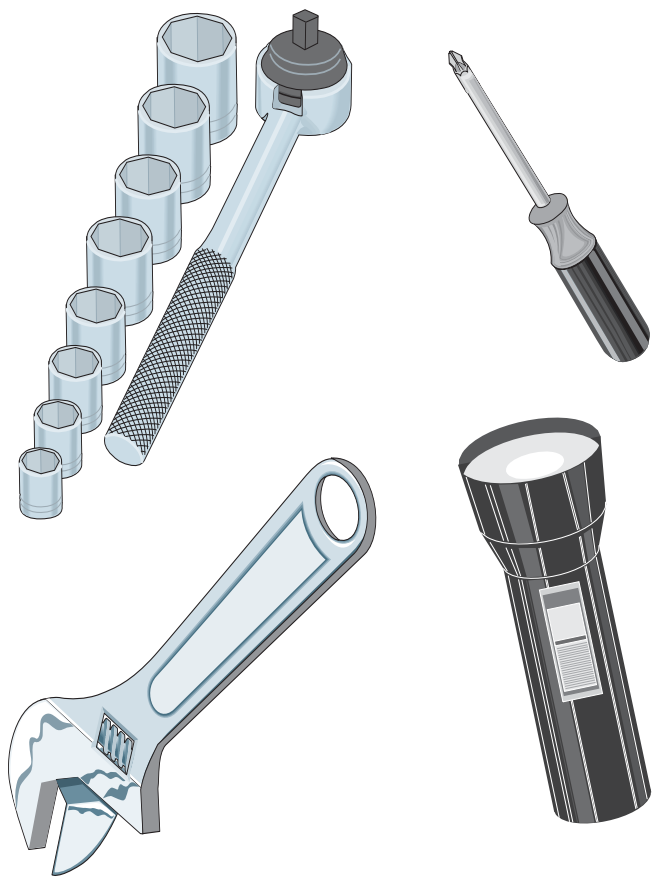


# Dishwasher Installation Instructions



INSTALLER: Leave *Installation Instructions* with owner.

OWNER: Read your dishwasher *Use and Care Manual*. It contains important safety information for operating this appliance. It also has many suggestions for getting the best results from your dishwasher.

Printed in U.S.A.

PN: 154427301/H  
AW: 154427301/008  
4/15

## Before You Begin

Read all instructions before installing dishwasher.

For your safety, please read and observe all safety instructions. This guide will help you anticipate drain, water, and electrical connections, and help you select the best location for the dishwasher.

## WARNING

### Tip Over Hazard

Do not use dishwasher until completely installed.

Do not push down on open door.

Failure to follow this warning can result in serious injury.

## Installation Tips

### Tools and Materials Needed for Installation

- Drill, Electric
- Driver, Socket  $\frac{5}{32}$ " ,  $\frac{1}{4}$ " ,  $\frac{5}{16}$ "
- Flaring Tool / Tube Cutter (for copper tubing)
- Flashlight
- Gloves
- Level
- Pipe Joint Compound (for iron pipe plumbing) or Pipe Thread Tape (for sealing threads)
- Pliers
- Safety Glasses
- Saw, Keyhole or  $\frac{1}{2}$ " ,  $1\frac{1}{2}$ " to 2" Hole Cutters
- Screw Drivers, Slotted and #2 Phillips (magnetic tip preferred)
- Tape, Electrical or Duct
- Tape, Measuring
- Wire Stripper or Utility Knife
- Wrench, Hex-end
- Wrenches, 2 Adjustable (for copper tubing) or 2 Pipe wrenches (for iron pipe plumbing)

## Parts You Will Need\* (Not Included)

- Drain Hose Clamp,  $1\frac{1}{4}$ " Diameter
- Elbow, 90° with a  $\frac{3}{8}$ " National Pipe Thread or  $\frac{3}{4}$ " Hose Thread Fitting
- Conduit Connector
- Wire Nuts, two (2) for 12-14 gauge wire
- Plumbers Tape

### \* If required:

- "Y" Branch Tailpiece and Connector Kit (See Step 4)
- Air Gap Kit (See Step 4)
- Fasteners for floor anchoring (See Step 9)

### Available at:

- Plumbing Supply Store
- Plumbing Supply Store
- Hardware Store

NOTE: Recommended to use Stainless Steel braided hose.

## WARNING

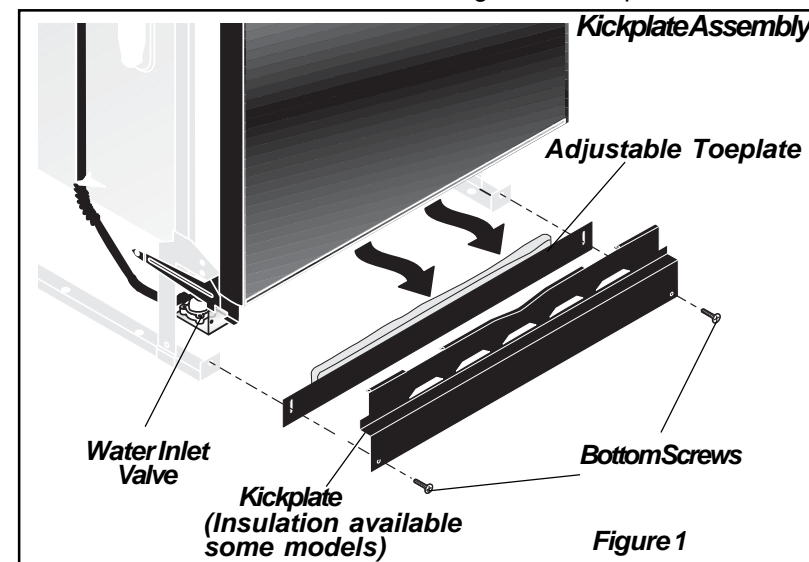


**Electric Shock Hazard**  
Disconnect electrical power at the fuse box or circuit breaker box before beginning installation. Failure to follow this warning could result in death or serious injury.

- Examine dishwasher and locate connections. See Step 4.
- Locate dishwasher where there is easy access to drain, water, and electrical lines. The best location is on either side of the kitchen sink for access to existing plumbing and ease in loading dishes. See Step 4.
- Electrical, water, and drain connections are not the same for all age, brands, or models of dishwashers. Check the location and length of home utilities. See Step 4.
- A 15-20 amp, grounded, 120 volt AC only, electrical supply is required. See Steps 4 and 8.
- If dishwasher drain hose will be connected to a food disposer for the first time, knock out plug located inside disposer inlet. See Steps 4 and 6.
- Kinked water or drain hoses can cause problems. See Step 6.
- Dishwashers need to be connected to a hot water supply with enough water pressure to insure an adequate fill. See Steps 4 and 7.
- Each home installation differs. You will need additional parts listed above to complete your installation. See Steps 4 and 7.
- Flush water line prior to making the final connection to prevent clogging of dishwasher's filter screen. See Step 7.
- The dishwasher will look, sound, and perform best when properly leveled. See Step 5. (NOTE: If levelers are removed during installation, make sure the floor is flat and free of any obstruction.)
- Anchor the dishwasher. See Step 9.

## Installation Preparation

1. Remove two (2) screws at front of the kickplate assembly using a #2 Phillips screw driver.
  2. Tilt and pull forward to remove. See Figure 1.
- NOTE: It is not necessary to remove the outer door for installation. However, you might find it more convenient to do so. You can find directions for removing door in Step 10.



3. Locate water inlet valve behind kickplate on bottom left underside of unit. The valve has a  $\frac{3}{8}$ " NPT or  $\frac{3}{4}$ " hose thread fitting. Note: If using  $\frac{3}{4}$ " hose thread fitting skip steps 4 and 5.
4. Wrap 90° elbow (not included) with pipe thread tape (or apply joint compound) and thread it into water inlet valve.
5. Tighten elbow with a wrench, leaving elbow pointing toward rear of unit. To prevent bending of bracket or breaking of valve, avoid overtightening.
6. If using  $\frac{3}{4}$ " hose thread fitting, do not use teflon tape, tighten elbow. Do not over tighten.

### Cabinet Preparation:

As a precaution, it is recommended, but not required that the cabinets enclosing all sides of the dishwasher (including the underside of the countertop) be sealed with an oil based paint or moisture-proof polyurethane to prevent possible steam/moisture damage.

## Roughing In

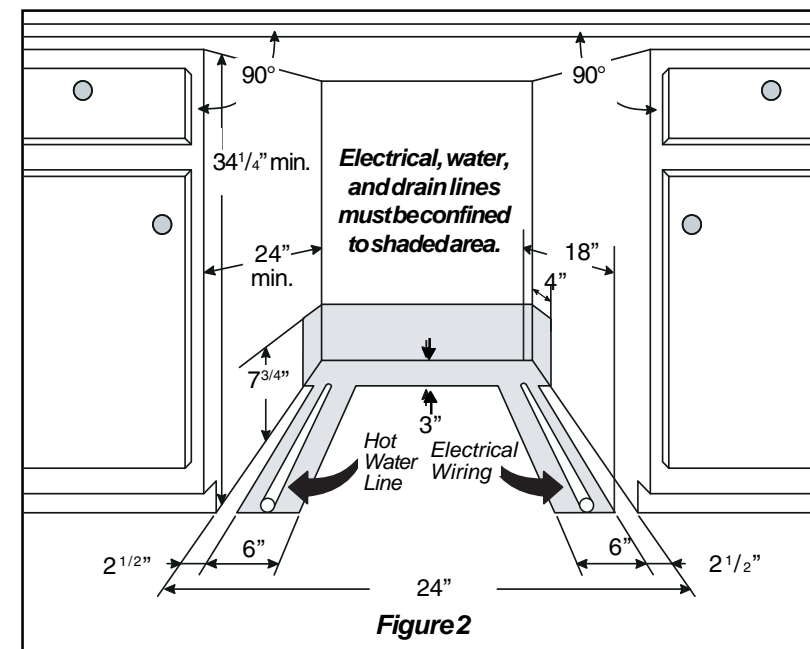
3

## WARNING



**Electric Shock Hazard**  
Observe all local codes and ordinances for electrical and plumbing connections. All electrical and plumbing work should be performed by qualified persons. Failure to follow this warning could result in death or serious injury.

1. Make sure your location has the right drain, water, and electrical outlets to make the connections. Do not install unit under a cooktop range. Damage to plastic tub will occur.



IMPORTANT: For proper operation and appearance of unit, cabinet opening should have dimensions as shown in Figure 2. If unit is to be placed in a corner, there must be at least a 2-inch side clearance to open door.

2. Remove any carpet from area to provide motor clearance. Floor should be flat and free of any obstruction.

IMPORTANT: Drain, water, and electrical lines should be roughed-in before going any further.

## WARNING



**Electric Shock Hazard**  
Electrical, water, and drain lines must be confined to shaded areas in Figure 2. Electric conductors, water, and drain could be damaged. Failure to follow these instructions could result in fire or electric shock.

NOTE: If dishwasher is installed at end of a cabinet line, sides and back must be fully enclosed.

NOTE: You can order a Cabinet Seal Kit (Kit # 154528701) by contacting your dealer or parts supplier. This kit provides a seal between the unit and cabinets once installation is complete.

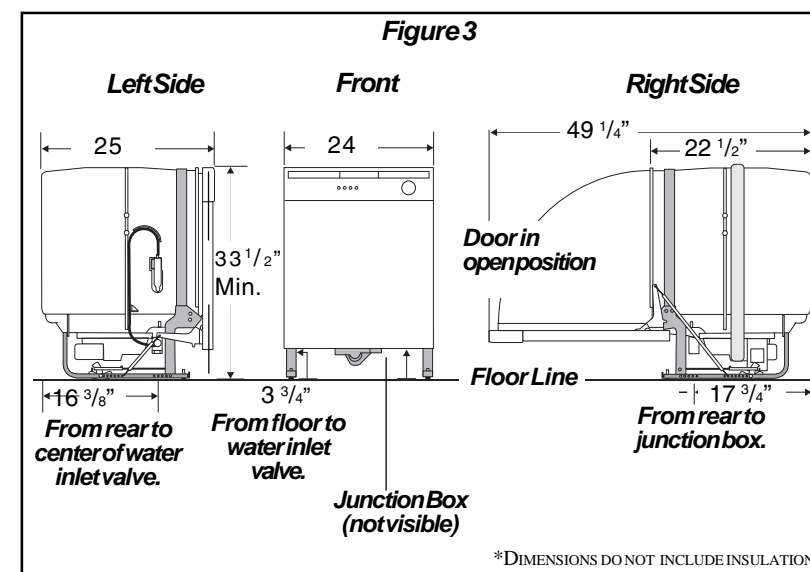
## Connections For Electrical, Water, and Drain

4

IMPORTANT: Do not cross drain, water, and electrical lines in front of dishwasher motor or frame.

### Locating the Connections

1. Review dimensions in Figure 3 to locate dishwasher's drain, water, and electrical connections.
2. All connections must be made in shaded area in Figure 2.



IMPORTANT: Disconnect power before starting installation.

## Electrical

1. The dishwasher operates on a 120 volt, 60 Hz electrical supply. Provide a separate circuit with a fuse or circuit breaker rated for at least 15 amps (20 amps if connected with disposer) but not more than 20 amps.
2. Note the locations of electrical supply and dishwasher's electrical junction box on right underside of unit behind kickplate assembly. See Figure 3.
3. Cut access hole in shaded area shown in Figure 2.
4. Pull electrical cable through hole into installation area.

## Water

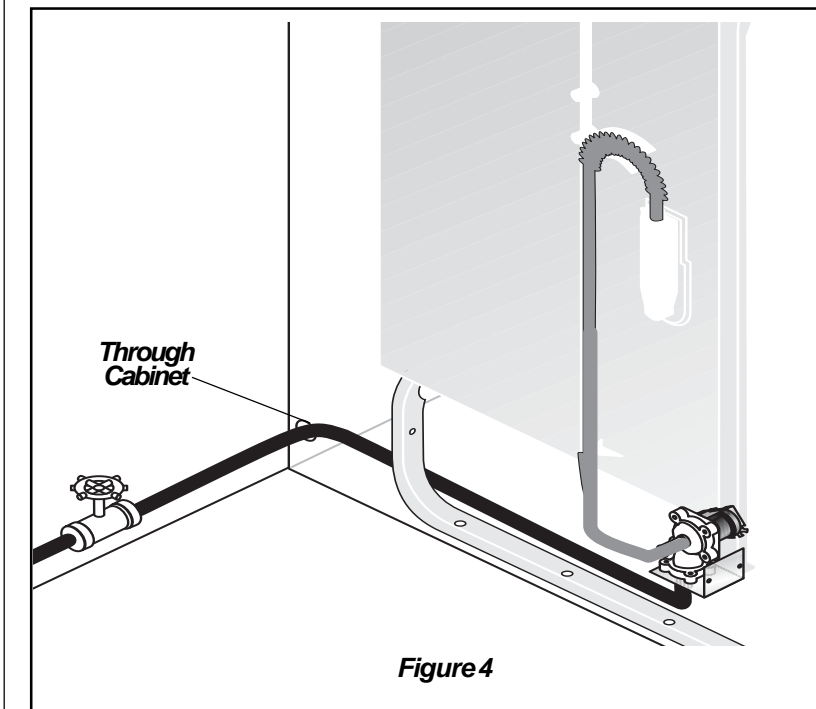
1. Determine where you will connect to hot water supply. Review Figure 3 and note the location of water inlet valve.

## CAUTION

### Property Damage

Do not use the furnished drain hose or a rubber garden hose for the water supply line. Either of these hoses can burst. Flooding may occur and cause property damage.

2. Be sure water inlet valve is protected from freezing. If valve freezes and ruptures, flooding may occur.
3. Determine amount of tubing needed to connect hot water supply to the unit's water inlet valve. Copper tubing must have a minimum  $\frac{3}{8}$ " OD. High-pressure and high-temperature rated plastic tubing with a minimum inner diameter of  $\frac{1}{4}$ " may be used. A shut-off valve installed outside dishwasher cabinet is best. See Figure 4.

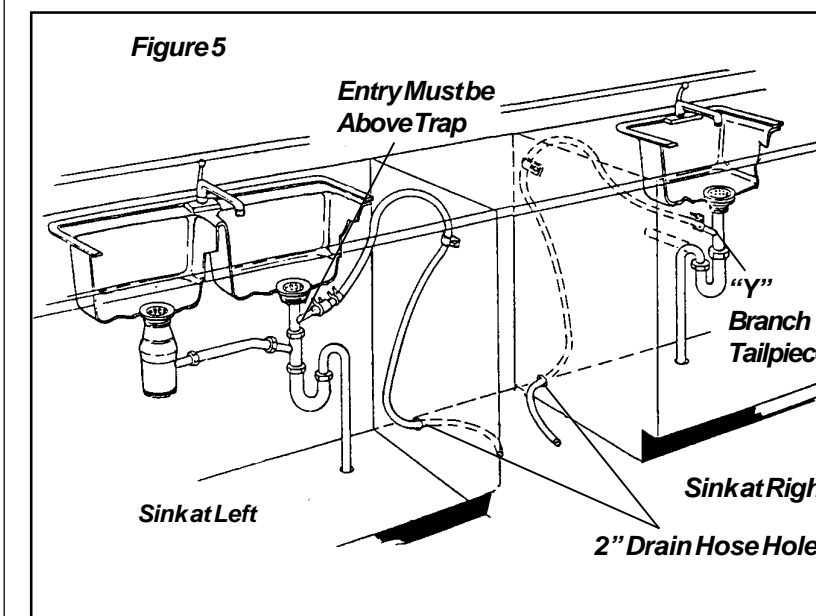


4. Cut water access hole in shaded area in Figure 2.
5. Route water supply line into installation area.

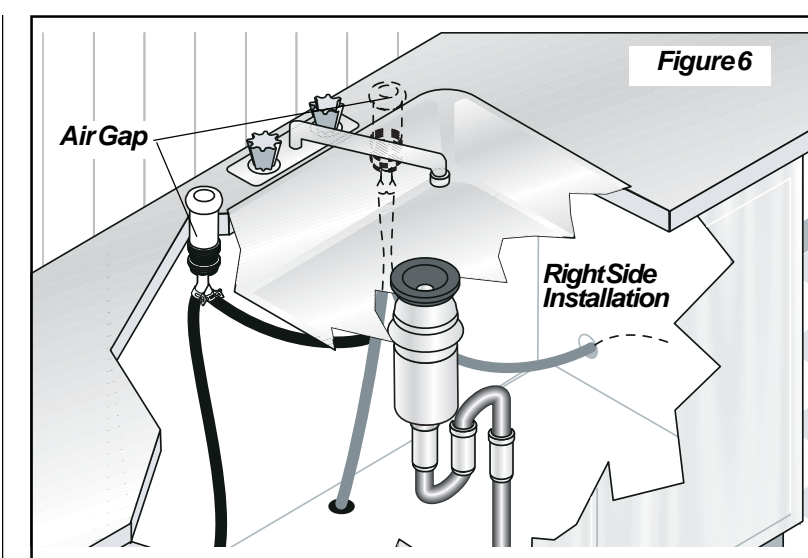
IMPORTANT: Incoming hot water temperature should be at least 120°F (49°C). Water pressure should be between 20–120 psi.

## Drain

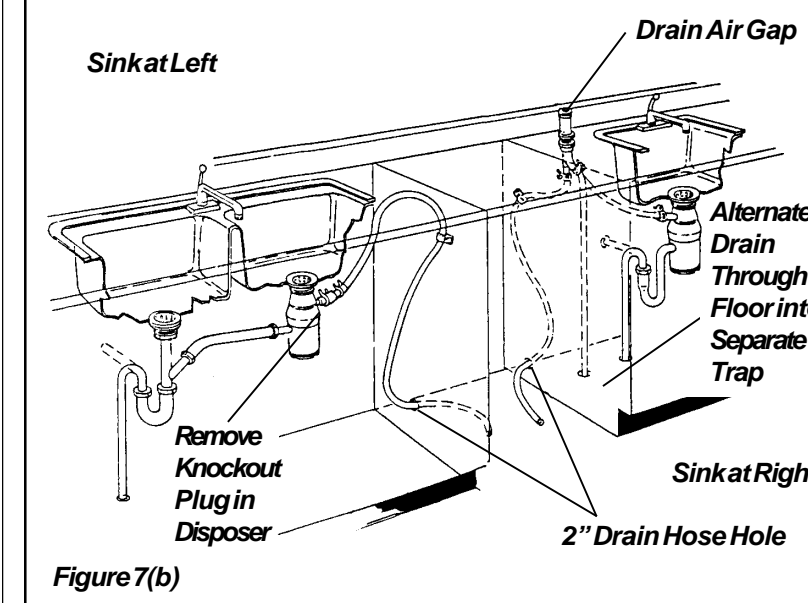
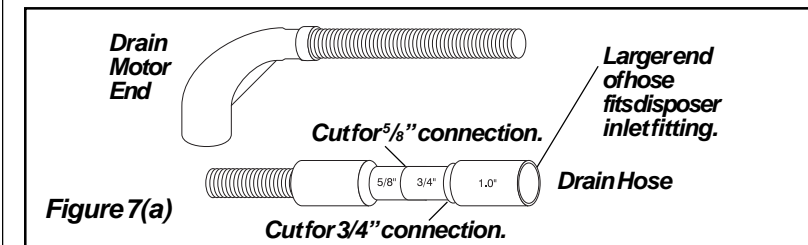
1. Review Figures 5, 6 and 7 to see the different ways to connect dishwasher to drain system. Choose method that best suits your need.



2. If you connect to a sink drain, entry will need to be above trap. A "Y" branch tailpiece and connector kit, not included, will make this method easier and includes all needed fittings and instructions. See Figure 5.



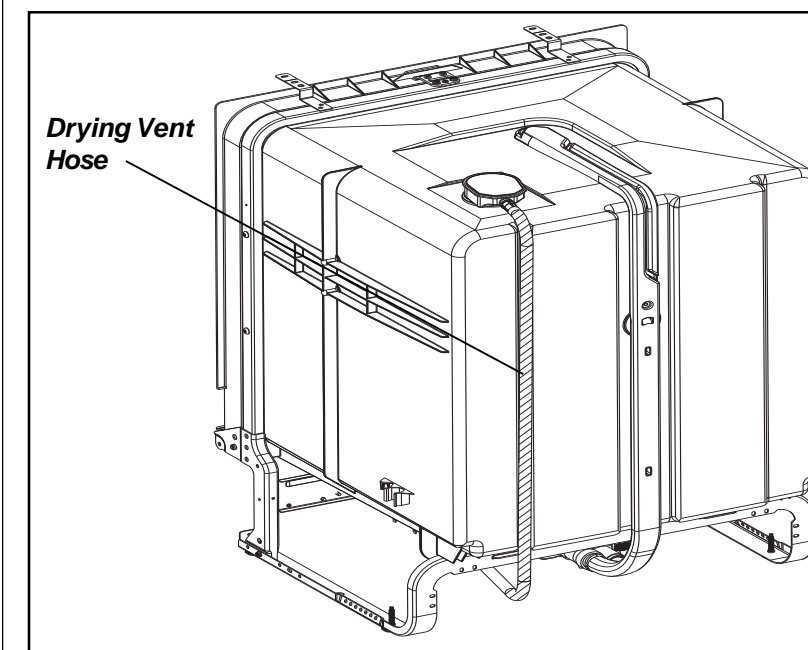
3. If you connect to a sink trap, local codes may require you to install an air gap kit, (not included). The drain hose will be routed from dishwasher to air gap inlet as shown in Figure 6. An air gap kit is available from a plumbing supply store. NOTE: If the drain hose is installed through the floor, an air gap is necessary.
4. If you connect to a disposer, the large end of drain hose will fit. Figure 7(a). The knock out plug must be removed from inside disposer inlet before making the final fit to drain hose. See Figure 7(b).



5. Before cutting drain hose access, check both sides of selected area to avoid interference. Cut a 2" diameter hole in shaded area shown in Figure 2.
6. If the cabinet wall is wood, sand edges of hole until smooth and rounded. If cabinet wall is metal, cover all sharp edges with electrical or duct tape to avoid cutting drain hose.

## Drying Vent Hose (if equipped)

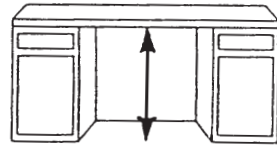
Care must be given during installation and removal of the dishwasher to avoid disconnection of the vent hose that is attached to the top of the dishwasher.



## Leveling Dishwasher within Cabinets

5

1. Measure height of cabinet opening from underside of countertop to floor. Check chart for height opening and suggested adjustment.



Leg Leveler Adjustment Chart

Height of Cabinet Opening	Number of Turns to Adjust Levelers
34" (86.4cm)	0
34 1/8" (86.7cm)	2
34 5/16" (87.2cm)	6
34 1/2" (87.6cm)	9

For additional height add shims under levelers.

2. Move dishwasher to front of installation area.
3. Loosen the front and rear leveling legs by turning counterclockwise. Refer to chart for number of turns. See Figure 8. Front levelers should allow 1/4" below underside of countertop.

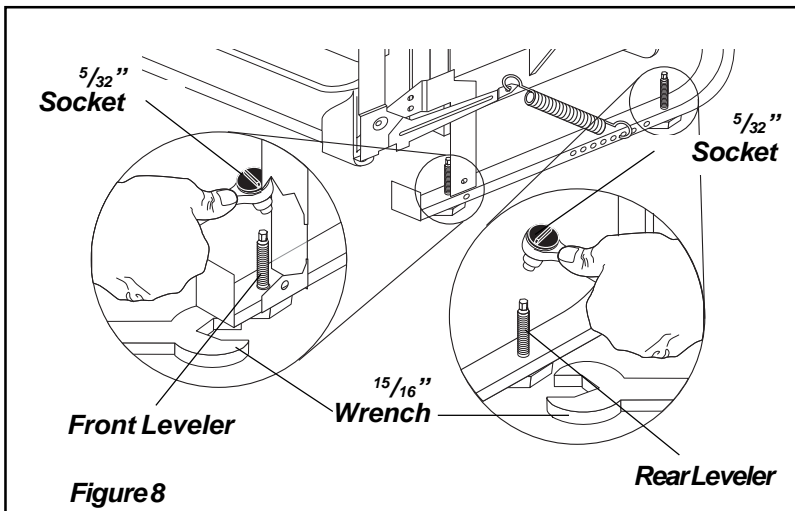


Figure 8

4. If levelers have to be removed, make sure floor is free of obstructions.
5. Place dishwasher inside cabinet area so that it is centered in opening. Use caution when moving dishwasher to prevent damage to dishwasher, floor, and cabinets.
6. Remove lower rack to check that dishwasher is level from side to side by placing a level on the bottom of the inner door. See Figure 9a.

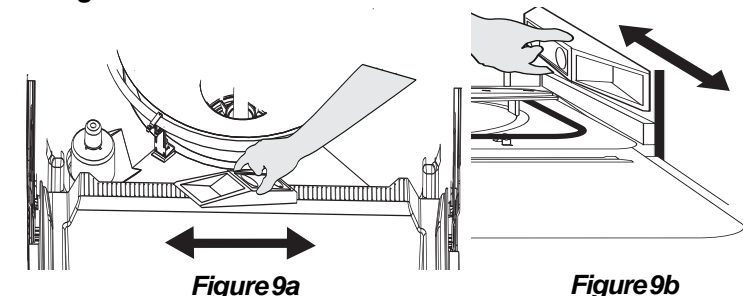


Figure 9a

Figure 9b

7. Remove lower rack to check that dishwasher is level from front to back by placing the level at the bottom of the tub at the lower rack wheel support. See Figure 9b.
8. Adjust levelers up or down until dishwasher is level.

## Finishing the Drain Connection

6

### WARNING

**Electric Shock Hazard**  
Plumbing material and drain hose must not come in contact with wiring or electrical components. Failure to follow this warning could result in personal injury from exposed wiring.

1. Pull out unit and check to see if drain hose is correctly attached to the drain pump assembly. If drain hose is **not attached** to drain pump, follow the instruction sheet (included with drain hose) on how to correctly install the drain hose to the drain pump assembly.
2. Move unit back in place while routing drain hose through access hole. Use caution to prevent damage to the dishwasher, floor and cabinets. **IMPORTANT: Make sure there are no sharp bends or kinks that might restrict drain flow.**
3. Secure drain hose to sink drain, disposer, or separate trap with a clamp. **IMPORTANT: Be careful not to overtighten clamp or you may damage end of hose.** Do not connect hose to horizontal pipe between sink drain and disposer.
4. Be sure unit does not rest on drain hose. It should be free of electrical components and door springs. Do not cut corrugated drain hose. Pull excess through cabinet and place under sink. Make sure hose does not come in contact with any sharp edges. See Figure 10.

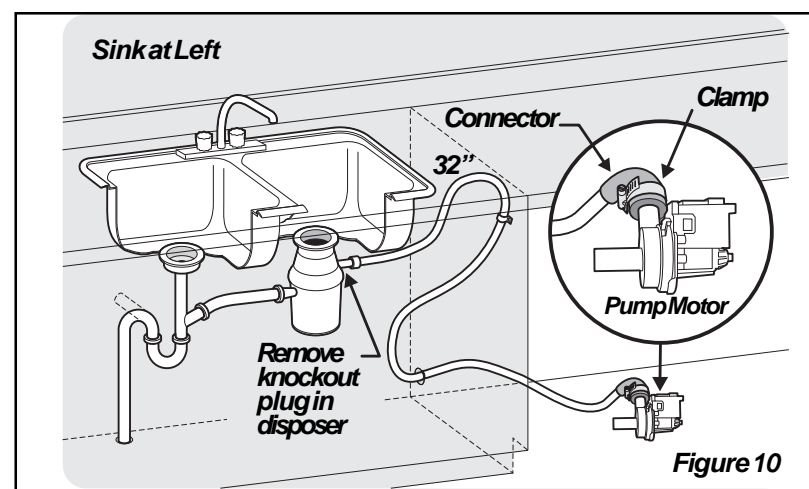


Figure 10

The drain hose loop must be at least 32" high from the floor to insure proper drainage.

## Finishing the Water Connection

7

### CAUTION

**Property Damage**  
Do not solder within 6" of the water inlet valve. Damage to the plastic parts in the valve may occur.  
Use care that no sealer, dirt, or other objects enter the valve. Damage to the filter screen may occur.  
Be sure the dishwasher is placed where the water inlet valve will be kept from freezing. If the valve freezes, it may rupture and flooding may occur.

### Water Line

1. Flush water line before connecting it to water inlet valve to prevent early clogging of filter screen. Place a bunched towel over end of line to prevent splashing. Open water supply valve for a few seconds and let water drain into a pan. **Turn off water supply at shut-off valve.**

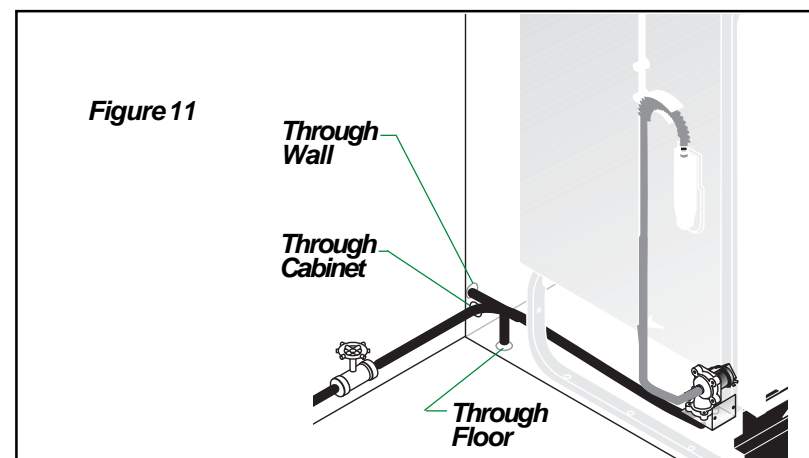


Figure 11

2. Route water line to water inlet valve as shown in Figure 11.
3. While firmly pulling water supply line into 90° elbow, tightly connect water supply to water inlet valve. Supply line must be free of kinks, scales, chips, and lubricants.
4. Turn on water supply and check for leaks.
5. If water inlet valve clogs, make sure water supply is off. If using a 3/8" NPT valve, remove four (4) screws at inlet end of valve and clean filter screen. If using 3/4" hose thread fitting simply clean filter screen.

## Finishing the Electrical Connection

8

### WARNING

**Electric Shock Hazard**  
Make sure electrical power has been disconnected at fuse box or circuit breaker box.

The dishwasher must be connected to a grounded metal, permanent wiring system. The equipment-grounding conductor must be run with the circuit conductors and connected to the appliance's equipment grounding terminal or lead. It is the consumer's responsibility to contact a qualified installer to make sure the electrical installation conforms with the National Electrical Code and local codes and ordinances. Do not connect the dishwasher to the power supply until the appliance is permanently grounded.

All wiring connections must be enclosed in the junction box. This unit has copper lead wires.  
Joining aluminum building wire to stranded copper wire should be done by a qualified electrician using materials recognized by UL and local codes.

Do not use an extension cord. Such use can result in fire, electrical shock, or other personal injury.  
Failure to follow these instructions could result in death or serious injury.

Do not use an extension cord. Such use can result in fire, electrical shock, or other personal injury.  
Failure to follow these instructions could result in death or serious injury.

## Electrical Supply

1. Remove junction box cover and pull house wiring into junction box. See Figures 12 and 13.
2. Use a UL listed conduit connector, (not included), at box to stabilize wiring.

**IMPORTANT: Be sure electrical cable is not routed behind dishwasher's motor.**

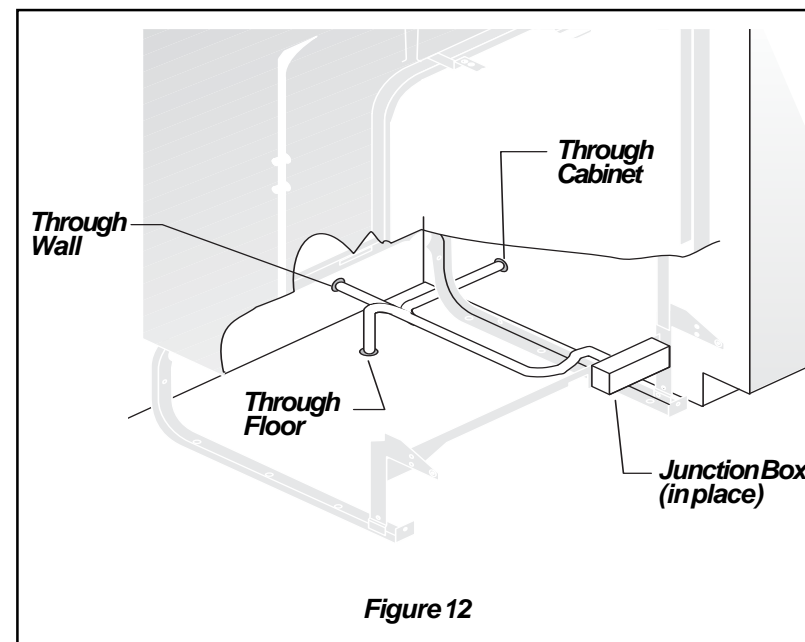


Figure 12

3. Inside junction box, attach ground wire under head of grounding screw and tighten. See Figure 13.
4. Connect incoming black lead to dishwasher's black lead and incoming white lead to dishwasher's white lead with wire nuts or other suitable connectors, (not included). Wire nuts should be tight.

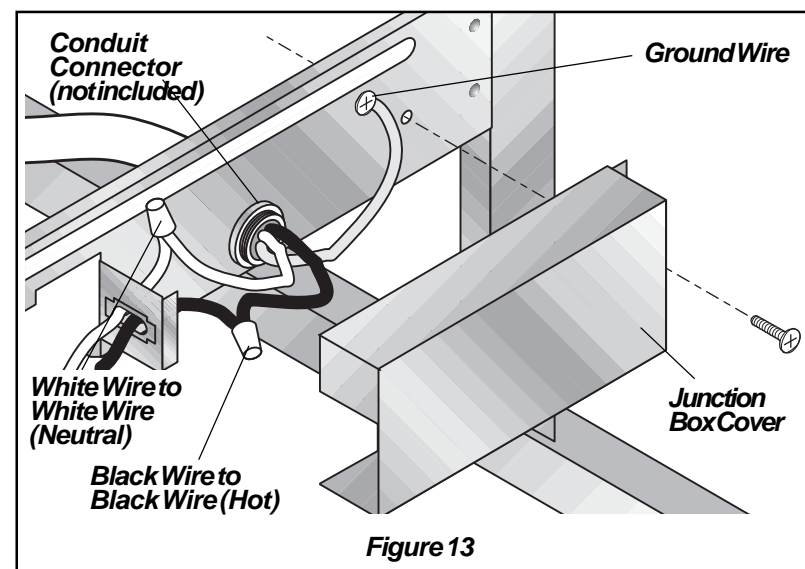


Figure 13

5. Replace junction box cover. See Figure 13.

## Securing the Dishwasher

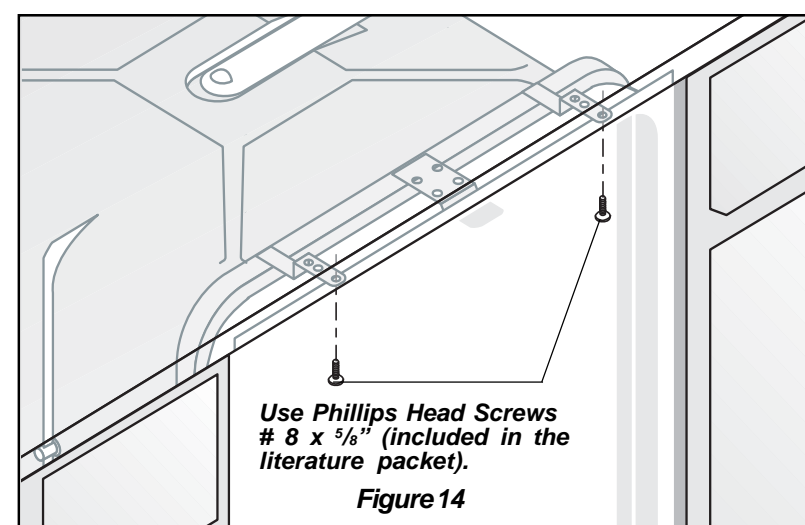
9

The dishwasher must be secured to keep it from tilting when door is opened. Choose one of the methods described below to secure unit.

### Countertop Anchoring

1. Install the Cabinet Seal Kit (Instructions included in Kit)
2. Replace Kickplate. See Figure 1
3. Adjust levelers (see Step 5) so mounting brackets touch underside of countertop. **IMPORTANT: Dishwasher must rest on floor—do not hang from countertop.** See Figure 14.
4. Tub needs to be even with the front of adjoining cabinets.
5. Screw mounting brackets firmly to countertop using screws provided in literature packet.
6. Open and close dishwasher door slowly. If door hits mounting brackets lower the dishwasher in front and rear.

**Note: Open and close door to make sure it does not hit surrounding cabinets or countertop.**



Use Phillips Head Screws # 8 x 5/16" (included in the literature packet).

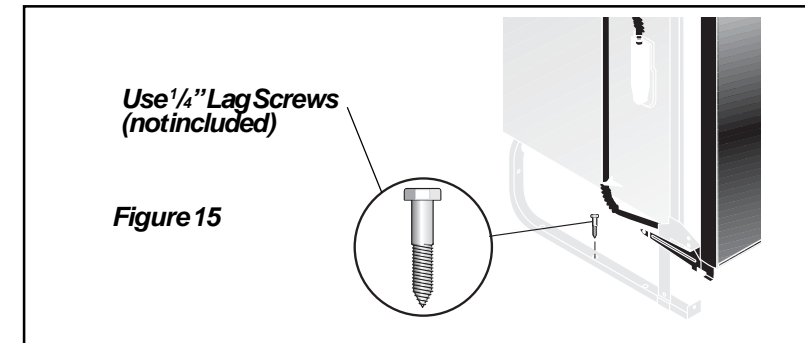
Figure 14

## Floor Anchoring

This procedure is difficult and should be used only if countertop mounting brackets cannot be used.

1. Screw 1/4" lag screws, (not included), through holes provided in frame rail. See Figure 15.
2. Use expansion fasteners if floor is concrete.

### Before starting the dishwasher,



Use 1/4" Lag Screws (not included)

Figure 15

**Note: If mounting your dishwasher to the countertop or to the floor is not a desirable option, you can order the side mount kit, 154806601/02, by contacting your dealer or parts supplier. This allows you to install the dishwasher by securing it to the cabinets or partitions on either side of the unit. The kit utilizes the front frame of the dishwasher to secure the unit to the cabinet or partitions.**

## Removing & Replacing Door

10

### WARNING

**Electric Shock Hazard**  
Disconnect electrical power at the fuse box or circuit breaker box before beginning installation. Failure to follow this warning could result in death or serious injury.

### CAUTION

**Cut Hazard**  
Metal color panels are sharp and should be handled with care. Wear gloves to protect hands. Failure to follow this warning may result in injury.

### To Remove and Replace Outer Door

1. Unlatch and open door. Using a Phillips head screw driver, remove two (2) screws from inner door. Save screws to reassemble. See Figure 16a.

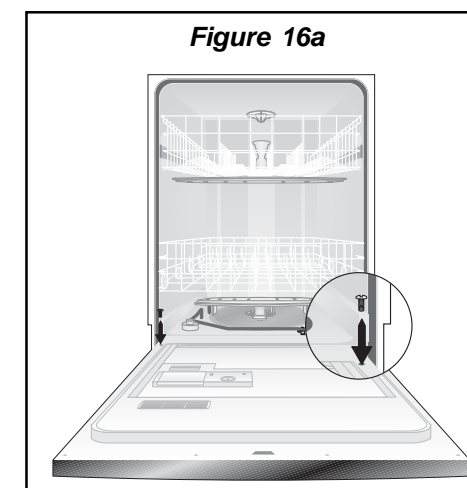


Figure 16a

2. Close and latch door while holding both sides.

3. Place one hand on each side of door and pull down at top approximately 1/4". Pull entire door assembly toward you to remove. See Figure 16b.

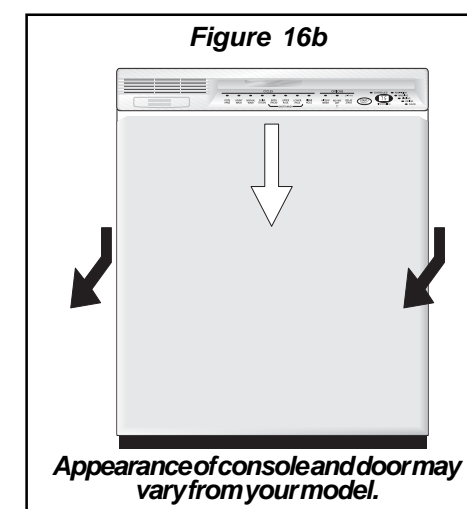


Figure 16b

Appearance of console and door may vary from your model.

4. Place door where it will not get scratched or damaged while completing installation.
5. When ready to replace door, fit the slots on each side of top door edge over the tabs on the metal liner. Push on sides to insure the door is flat. Push up from bottom until there is no gap between door and console. See Figure 16c.

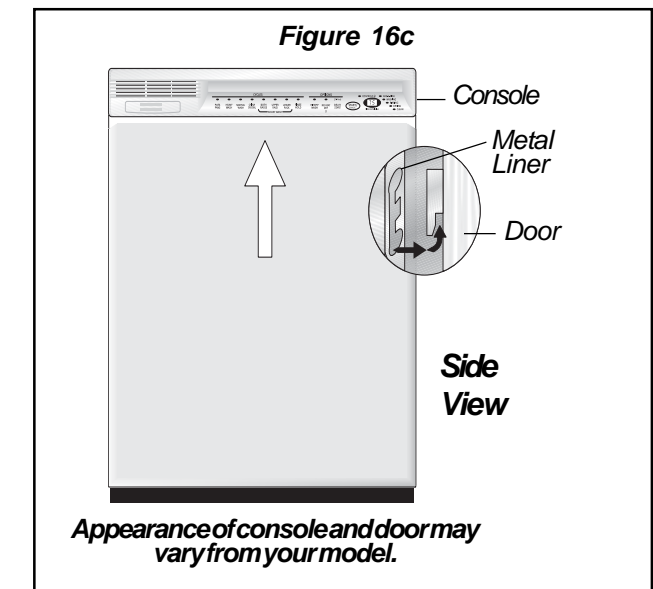


Figure 16c

Appearance of console and door may vary from your model.

6. Unlatch door and open while supporting outer door on both sides at bottom to keep in place. Align screw holes and replace screws.

## Checking the Installation

11

### check these items:

- Drain hose is assembled to drain pump.
- All packing materials and consumer literature have been removed from unit.
- Dishwasher is level and securely fastened.
- Open and close door to make sure it does not hit surrounding cabinet or countertop.
- Water and drain lines have no kinks.
- Wiring connections to junction box are tight.
- Water supply is turned on.
- Joints are free of leaks.

### Replacing Door

1. Refer to Step 10, numbers 5 and 6, for replacing outer door.
2. Adjust door springs to balance weight of door. A correct spring setting allows door to remain horizontal in opened position, yet will rise to close with slight lift of finger.
3. If necessary, increase tension by moving springs to a hole toward rear of unit or decrease by moving them toward front.
4. Turn electrical supply on.

### Operate the machine through at least one fill and pump-out, checking the following items:

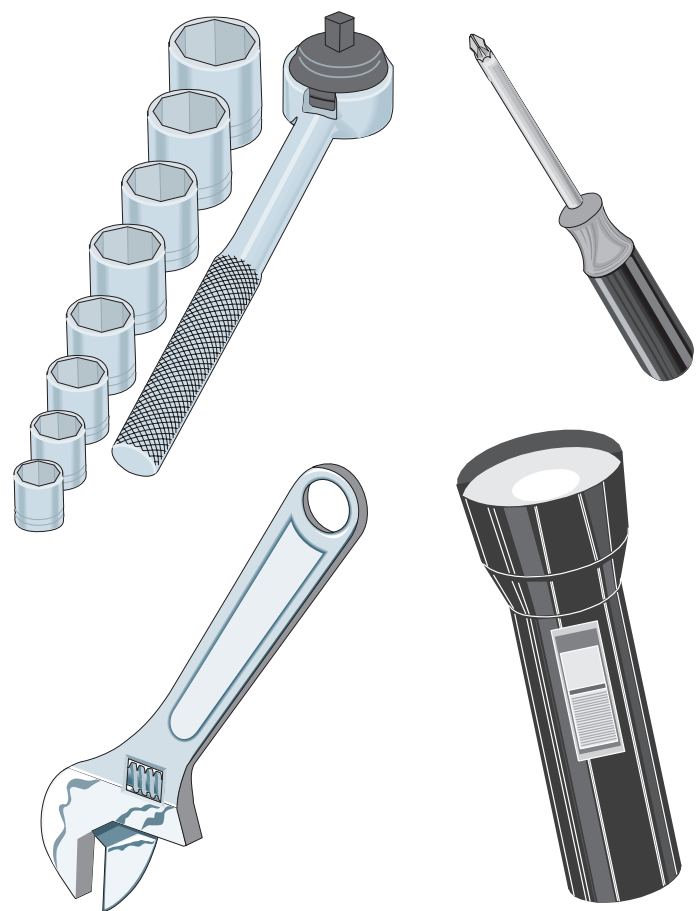
- At first fill, make sure water completely covers filter surface. (Motor pump sound may be heard before water enters unit).
- At pump-out, make sure all water is pumped out.
- Check water connections again for leaks.

### WARNING

**Electric Shock Hazard**  
If all connections are correct, there are no leaks, and unit runs properly, replace the kickplate assembly before placing unit into operation. Failure to follow this warning could result in electric shock.

# Lave-vaisselle

## Instructions d'installation



**INSTALLATEUR:** Confiez les *Instructions d'installation* à l'utilisateur.

**UTILISATEUR:** Lisez votre *Guide d'utilisation et d'entretien*. Il renferme des renseignements importants sur la sécurité et de nombreuses suggestions pour obtenir les meilleurs résultats possibles avec le lave-vaisselle.

Imprimé aux États-Unis

P/N: 154427401/F  
AW: 154427401/007  
(4/15)

## Avant de commencer

Lisez toutes ces instructions avant d'installer le lave-vaisselle.

Pour votre sécurité, veuillez lire et observer toutes les instructions à ce sujet. Ce guide vous aidera à prévoir les raccordements de vidange, d'eau et d'électricité et vous aidera à choisir le meilleur endroit pour le lave-vaisselle.

## ATTENTION

### Risque de renversement

N'utilisez pas le lave-vaisselle tant qu'il n'est pas entièrement installé.

Ne poussez pas vers le bas sur une porte ouverte.

Le non respect de ces avertissements peut entraîner de graves blessures.

## Conseils d'installation

# 1

### Outils et matériaux nécessaires à l'installation

- Perceuse électrique
- Tourne-écrou de 5/32 po, 1/4 po, 5/16 po
- Outil à évaser/coupe-tube (pour tube en cuivre)
- Lampe de poche
- Gants
- Niveau
- Pâte à joint (pour tuyau en fer) ou ruban à tuyau (pour l'étanchéité des filetages)
- Pincettes
- Lunettes de sécurité
- Scie à guichet ou scie-cloche de 1/2 po, 1 1/2 à 2 po
- Tournevis, à tête fendue et Phillips, N° 2 (pointe magnétique de préférence)
- Ruban électrique ou pour conduit
- Mètre-ruban
- Pince à dénuder ou couteau
- Clé hexagonale
- Clés, 2 à molette (pour tube en cuivre) ou 2 clés à tuyau (pour tuyau en fer)

### Pièces nécessaires\* (non fournies)

- Bride pour tuyau de vidange, diamètre 1 1/4 po
  - Coude à 90° avec filetage NPT de 3/8 po ou HTF de 3/4 po.
  - Raccord de conduit
  - Connecteurs (2) de fil pour fil de calibre 12-14
  - Plombiers bande
- |   |                                 |
|---|---------------------------------|
| <b>*Au besoin:</b>  | <b>Vendus chez:</b>             |
| Ensemble de connecteur et raccord d'extrémité en «Y» (voir étape 4) | Magasin d'articles de plomberie |
| Nécessaire de brise-vide (voir étape 4)                             | Magasin d'articles de plomberie |
| Attaches de fixation au plancher (voir étape 9)                     | Quincaillerie                   |

**Remarque:** Recommandé d'utiliser acier inoxydable flexible bradé.

## ATTENTION

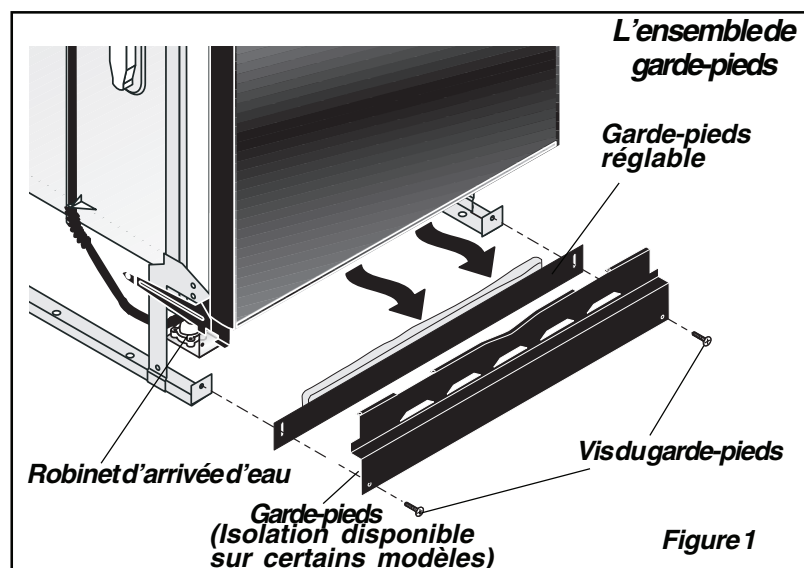
**Risque de décharge électrique**  
Coupez le courant à la boîte de fusibles ou disjoncteurs avant de commencer l'installation. Le non respect de cet avertissement peut entraîner de graves blessures ou même la mort.

- Examinez le lave-vaisselle et repérez les raccordements. Voir étape 4.
- Installez le lave-vaisselle dans un endroit permettant un accès facile aux conduites électriques, d'eau et de vidange. Le meilleur emplacement se trouve d'un côté ou de l'autre de l'évier de cuisine pour accéder facilement aux canalisations d'eau et d'égout et faciliter le chargement de l'appareil. Voir étape 4.
- Les raccordements d'électricité, d'eau et de vidange ne sont pas les mêmes selon les marques, l'ancienneté ou les modèles de lave-vaisselle. Vérifiez l'emplacement et la longueur des canalisations existantes. Voir étape 4.
- Une alimentation de 15-20 A, mise à la terre, de 120 volts CA seulement, est nécessaire. Voir étapes 4 et 8.
- Si le tuyau de vidange du lave-vaisselle est raccordé à un broyeur à ordures pour la première fois, enlevez l'opercule arrachable situé à l'intérieur de l'entrée du broyeur. Voir étapes 4 et 6.
- Des tuyaux de vidange ou d'eau entortillés peuvent causer des problèmes. Voir étape 6.
- Les lave-vaisselle doivent être raccordés à une alimentation d'eau chaude avec une pression suffisante pour assurer un bon remplissage. Voir étapes 4 et 7.
- Chaque maison est installée différemment. Vous pouvez avoir besoin d'autres pièces énumérées ci-dessus pour réaliser votre installation. Voir étapes 4 et 7.
- Rincez la conduite d'eau avant de faire les derniers raccordements pour éviter que le tamis du filtre ne se bouche. Voir étape 7.
- Le lave-vaisselle aura meilleure apparence, fonctionnera mieux et avec moins de bruit s'il est correctement mis à niveau. Voir étape 5. (REMARQUE: Si les dispositifs de mise à niveau sont enlevés lors de l'installation, assurez-vous que le sol est plat, sans obstruction.)
- Fixez le lave-vaisselle au comptoir. Voir étape 9.

## Installation et réparation

# 2

- Retirer les deux (2) vis à l'avant de l'ensemble de plinthe à l'aide d'un tournevis pilote n° 2 de la vis.
  - Penchez et tirez pour l'enlever. Voir figure 1.
- REMARQUE:** Il n'est pas nécessaire de démonter la porte extérieure pour procéder à l'installation. Toutefois, il peut s'avérer plus pratique de le faire. Les instructions de démontage de la porte se trouvent à l'étape 10.



- Repérez le robinet d'arrivée d'eau derrière la plaque inférieure, à gauche, sous l'appareil. Le robinet dispose d'un raccord femelle de 3/8 po NPT ou 3/4 po HTF. Remarque: Si vous utilisez 3/4 po HTF ignorez les étapes 4 et 5.
- Enveloppez un coude de 90° (non fourni) avec du ruban à tuyau (ou appliquez de la pâte à joint) et vissez le coude dans le robinet d'arrivée d'eau.
- Serrez le coude à l'aide d'une clé, en laissant le coude dirigé vers l'arrière de l'appareil. Ne serrez pas trop pour éviter de cintrer le support ou de casser le robinet.
- Si vous utilisez 3/4 po HTF N'utilisez pas de ruban de teflon, serrez le coude. Ne serrez pas trop.

Le Cabinet Preparation:

As une précaution, on lui recommande que les coffrets enfermant tous les côtés de dishwasher (including le dessous du countertop) soient scellés avec de l'huile vasée la peinture ou le polurethane étanche à l'humidité pour empêcher des dommages

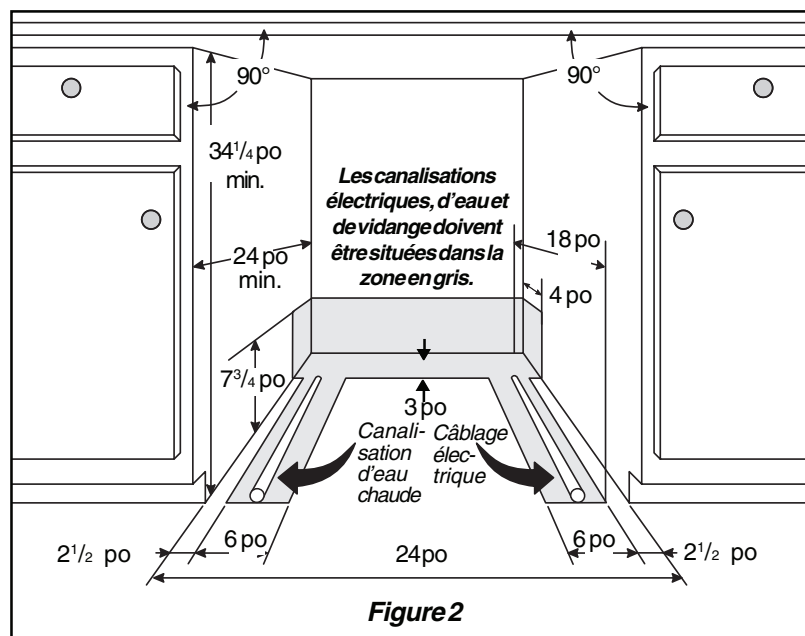
## Préparation de l'enceinte

# 3

## ATTENTION

**Risque de décharge électrique**  
Respectez tous les codes et arrêtés locaux portant sur les raccordements d'électricité et d'eau. Tous les travaux de plomberie et d'électricité doivent être effectués par du personnel qualifié. Le non respect de cet avertissement peut entraîner de graves blessures ou même la mort.

- Assurez-vous que l'emplacement choisi comporte les sorties de vidange, d'eau et électriques nécessaires au bon raccordement. N'installez pas le lave-vaisselle sous une table de cuisson. Cela risquerait d'endommager la cuve plastique.



**IMPORTANT:** Le lave-vaisselle fonctionnera mieux et aura meilleure apparence si l'ouverture prévue pour la caisse comporte les dimensions indiquées à la figure 2. Si l'appareil est installé dans un coin, prévoyez un espace d'au moins 2 po sur le côté pour ouvrir la porte.

- Enlevez la moquette de la zone prévue pour permettre le dégagement suffisant du moteur. Le sol doit être plat, sans obstruction.

**IMPORTANT:** Préparez l'installation des conduites de vidange, d'eau et d'électricité avant de continuer l'installation.

## ATTENTION

**Risque de décharge électrique**  
Les canalisations électriques, d'eau et de vidange doivent être situées dans la zone en gris de la figure 2.  
Si tel n'était pas le cas, les conducteurs électriques, d'eau et de vidange pourraient être endommagés.  
Le non respect de ces instructions peut entraîner un risque de décharge électrique ou d'incendie.

**REMARQUE:** Si le lave-vaisselle est installé au bout d'un comptoir, il faut fermer complètement les côtés et l'arrière.

**REMARQUE:** Vous pouvez commander un kit de joints de Cabinet (Kit # 154528701) en contactant votre revendeur ou fournisseur de pièces. Cet ensemble assure une étanchéité entre l'unité de châssis fois l'installation est terminée.

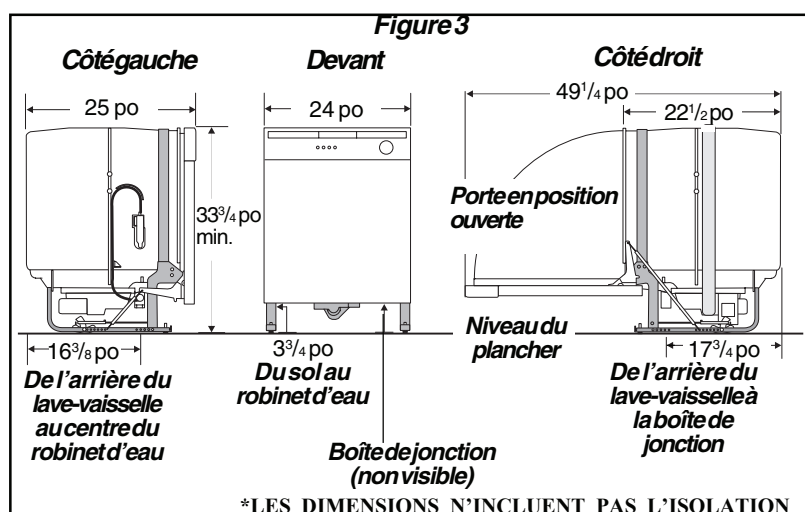
## Raccordements de vidange, d'eau et d'électricité

# 4

**IMPORTANT:** Veillez à ce qu'il n'y ait pas de croisement des canalisations de vidange, d'eau et de câblage électrique devant le châssis ou le moteur du lave-vaisselle.

### Emplacement des raccordements

- Revoquez les dimensions données à la figure 3 pour situer les raccordements de vidange, d'eau et d'électricité.
- Tous les raccordements doivent être faits dans la zone en gris de la figure 2.



**IMPORTANT:** Débranchez avant de commencer l'installation.

### Électricité

- Le lave-vaisselle fonctionne sur une alimentation électrique de 120 volts, 60 Hz. Prévoyez un circuit séparé avec un fusible ou coupe-circuit établi pour au moins 15 ampères (20 ampères si le broyeur à déchets est raccordé) mais pas plus de 20 ampères.
- Notez les emplacements de la boîte de jonction électrique du lave-vaisselle et de l'alimentation électrique sur le côté droit en dessous de l'appareil, derrière la plaque inférieure. Voir figure 3.
- Découpez le trou de passage dans la zone en gris de la figure 2.
- Tirez le câble par le trou pour l'amener dans la zone de l'installation.

### Eau

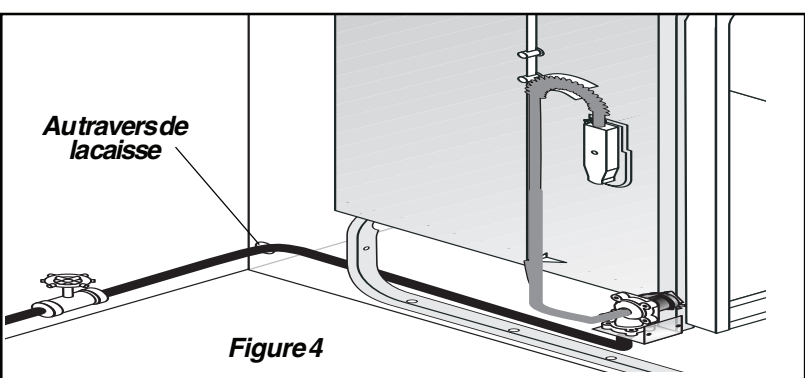
- Déterminez où vous brancherez à l'alimentation d'eau chaude. Revoquez la figure 3 et notez l'emplacement du robinet.

## ATTENTION

### Dommage matériel

N'utilisez pas le tuyau de vidange fourni ou un tuyau de jardin en caoutchouc pour l'alimentation en eau. Ces tuyaux risquent d'éclater avec possibilité d'inondation et de dommage matériel.

- Assurez-vous que le robinet d'eau est protégé du gel. En cas de gel et de rupture, il y a un risque d'inondation.



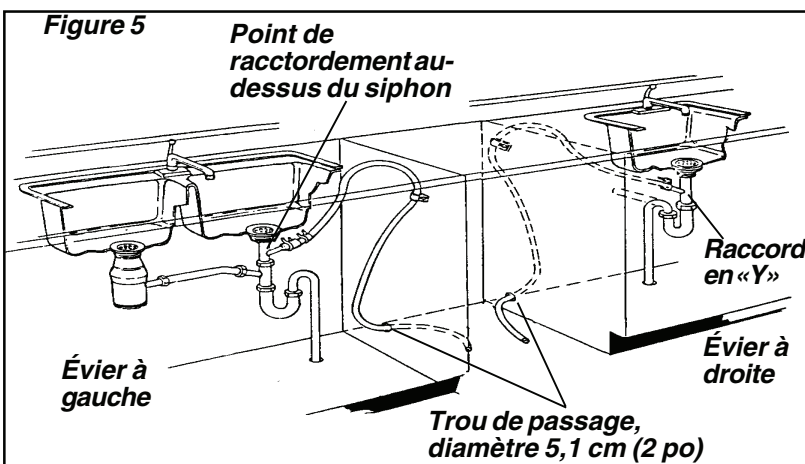
- Déterminez la longueur de tube nécessaire pour raccorder l'alimentation d'eau chaude au robinet d'eau de l'appareil. Le tube de cuivre doit avoir un D.E. de 3/8 po minimum. Vous pouvez utiliser un tube en plastique pour haute pression et haute température d'un diamètre intérieur d'au moins 1/4 po. Il est préférable d'installer un robinet d'arrêt à l'extérieur du lave-vaisselle. Voir figure 4.

- Découpez le trou de passage dans la zone en gris de la figure 2.
- Acheminez la conduite d'alimentation d'eau dans la zone de l'installation.

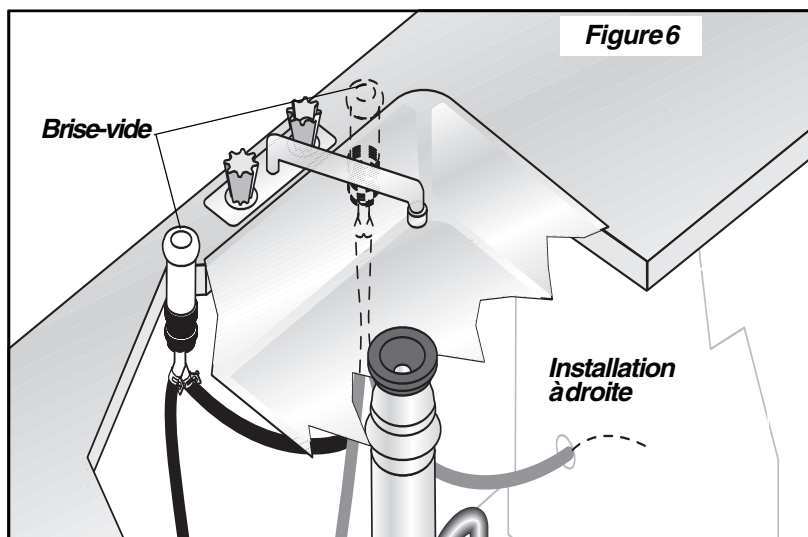
**IMPORTANT:** La température de l'eau chaude d'arrivée doit être d'au moins 120°F (49°C). La pression de l'eau doit être située entre 20–120 lb/po<sup>2</sup>.

### Vidange

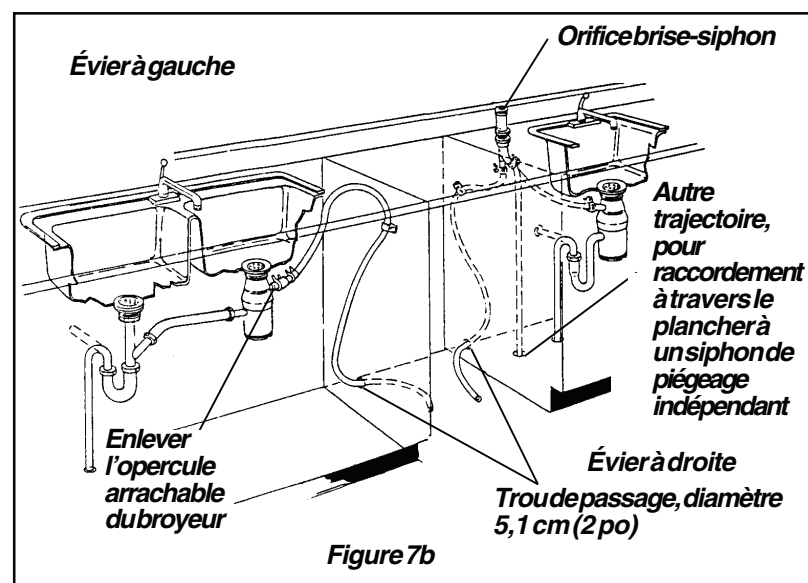
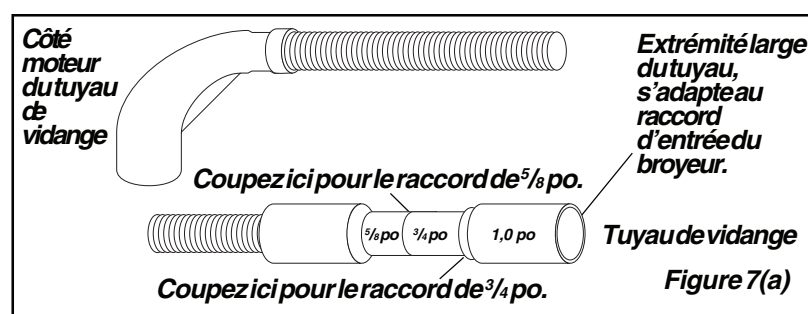
- Revoquez les figures 5, 6 et 7 pour voir les différentes façons de brancher le lave-vaisselle au système de vidange. Choisissez la méthode qui correspond le mieux à vos besoins.



- Si vous branchez à un système d'évacuation de l'évier, l'entrée devra se situer au-dessus du siphon. Un ensemble de raccord d'extrémité en «Y» et connecteur, non fourni, facilitera cette méthode. Il comprend tous les raccords et instructions nécessaires. Voir figure 5.



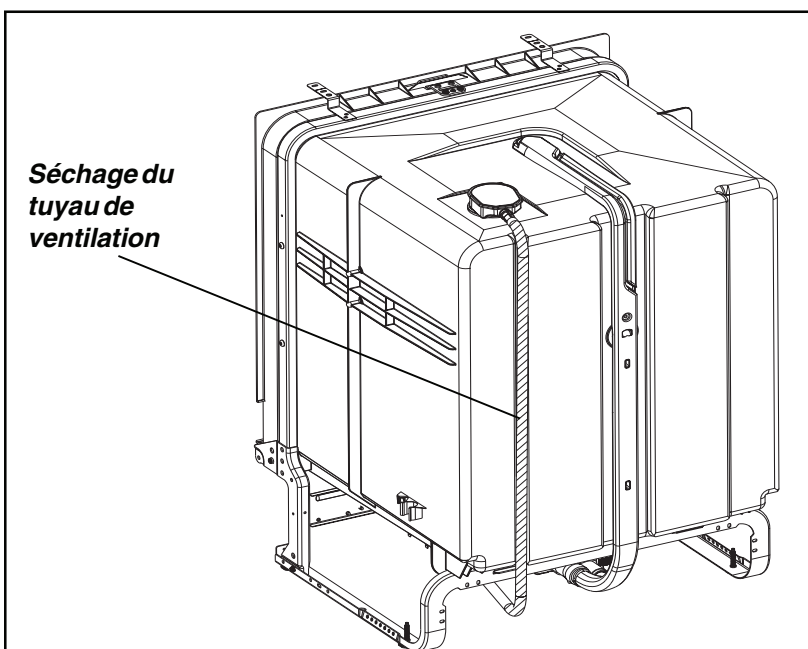
- Si vous connectez le lave-vaisselle à un puisard, il est possible que les codes locaux exigent l'installation d'une prise d'air, non incluse. Il faut alors brancher le boyau de vidange du lave-vaisselle au tuyau de vidange avec prise d'air tel qu'indiqué à la Figure 6. Vous pouvez trouver un ensemble de tuyau de vidange avec prise d'air dans tout magasin de fournitures de plomberie. Remarque: Si le tuyau de vidange est installé dans le plancher, un espace d'air est nécessaire.
- Si vous prévoyez de brancher le lave-vaisselle à un broyeur, l'extrémité large du tuyau de vidange s'adapte au broyeur. Figure 7(a). Enlevez l'opercule arrachable de l'intérieur de l'entrée du broyeur avant le raccordement au tuyau de vidange. Voir figure 7(b).



- Avant de découper le trou de passage du tuyau de vidange, vérifiez les deux côtés de la zone choisie pour éviter toute interférence. Découpez un trou de 2 po dans la zone en gris indiquée à la figure 2.
- Si les parois sont en bois, poncez les bords du trou pour les rendre lisses et arrondis. Si les parois sont en métal, recouvrez tous les bords coupants d'un ruban pour conduit ou de ruban électrique pour éviter que le tuyau de vidange ne se coupe.

## Séchage du tuyau de ventilation (si équipée)

Des précautions doivent être données lors de l'installation et l'enlèvement du lave-vaisselle pour éviter une déconnexion du tuyau de ventilation qui est fixée à la partie supérieure du lave-vaisselle.



# Mise à niveau du lave-vaisselle à l'intérieur des armoires

5

- Mesurez la hauteur de l'ouverture de l'armoire, du plancher au dessous du comptoir. Vérifiez la hauteur de l'ouverture recommandée et les réglages suggérés dans le tableau.

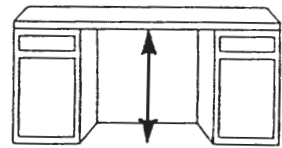
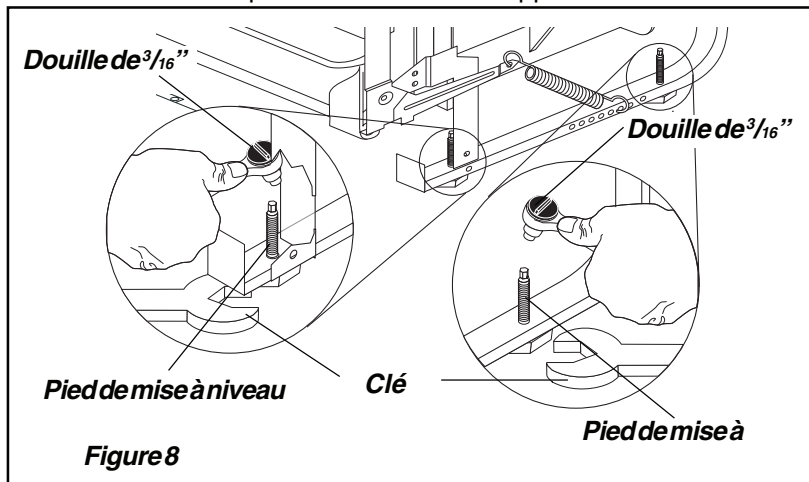


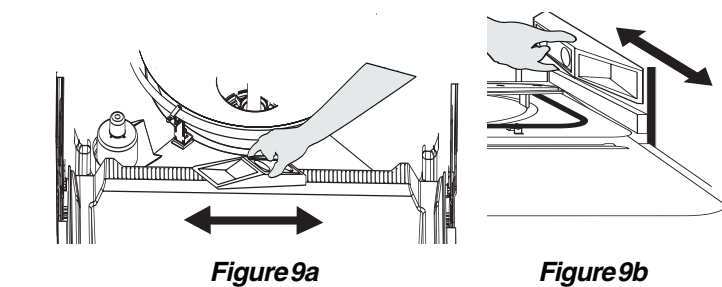
Tableau de réglage des pieds de mise à niveau	
Hauteur de l'ouverture de l'armoire	Nombre de tours pour régler les pieds de mise à niveau
34" (86.4cm)	0
34 1/8" (86.7cm)	2
34 5/16" (87.2cm)	6
34 1/2" (87.6cm)	9

Pour soulever davantage l'appareil, utilisez des cales sous les pieds de mise à niveau.

- Placez le lave-vaisselle devant l'emplacement choisi.
- Desserrez les pieds de mise à niveau avant et arrière, en les tournant dans le sens inverse des aiguilles d'une montre. Référez-vous au tableau pour vérifier le nombre de tours nécessaire. **Voir figure 8.** La hauteur des pieds de mise à niveau avants doit permettre un dévissage de 1/4" entre le dessous du comptoir et le dessus de l'appareil.



- S'il s'avère nécessaire de retirer les pieds de mise à niveau, il faut s'assurer que le plancher est dégagé, sans aucune obstruction.
- Placez le lave-vaisselle dans son emplacement à l'intérieur de l'armoire au centre de l'ouverture. Faites preuve de prudence en déplaçant le lave-vaisselle, de manière à éviter tout dommage au lave-vaisselle, au plancher et aux armoires.
- Déposer la crémaillère à vérifier que lave-vaisselle est de niveau d'un côté à l'autre en plaçant un niveau sur le bas de la porte intérieure. **Voir figure 9a.**



- Déposer la crémaillère à vérifier que lave-vaisselle est de niveau de l'avant vers l'arrière en plaçant le niveau en bas de la baignoire en bas rack support de roue. **Voir figure 9b.**
- Réglez les pieds de mise à niveau jusqu'à ce que l'appareil soit de niveau dans tous les sens.

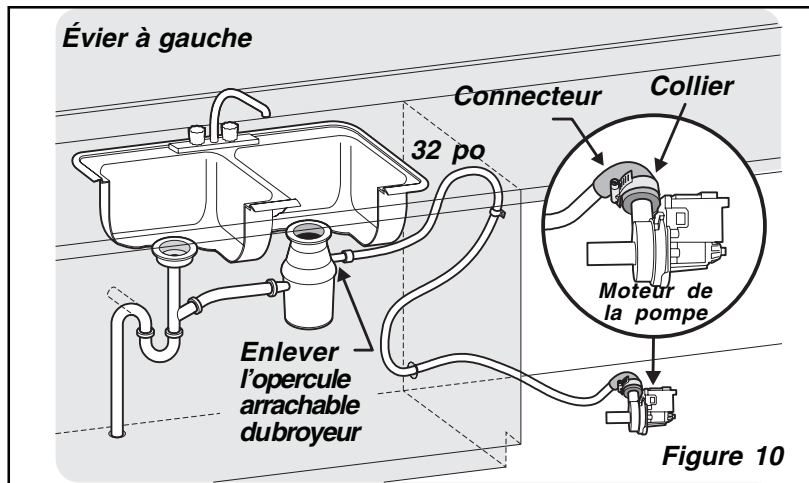
# Achèvement des raccordements de vidange

6

## ATTENTION

**Risque de décharge électrique**  
Le matériel de plomberie et le tuyau de vidange ne doivent pas entrer en contact avec les pièces électriques ou le câblage.  
Le non respect de cet avertissement peut entraîner des blessures par suite du dénudage des fils.

- Sortir l'appareil et vérifier que le flexible de drain est connecté correctement à l'ensemble de pompe de drain. Si le flexible de drain n'est pas connecté à la pompe de drain, suivre la feuille d'instructions (jointe au tuyau de drain) pour installer correctement le flexible de drain à l'ensemble de pompe de drain.
- Soyez prudent et n'endommagez pas le lave-vaisselle, les revêtements de sol ou les armoires. **IMPORTANT: Assurez-vous que le tuyau n'est pas entortillé et ne présente aucun angle aigu qui générerait l'écoulement.**
- À l'aide d'un collier de serrage, fixez le tuyau de vidange à l'évacuation de l'évier, au broyeur ou à un siphon séparé. **IMPORTANT: Ne serrez pas trop, au risque d'endommager l'extrémité du tuyau.** Ne raccordez pas le tuyau au conduit horizontal situé entre l'évacuation de l'évier et le broyeur.
- Assurez-vous que l'appareil ne repose pas sur le tuyau de vidange. Celui-ci ne doit pas toucher de pièces électriques ni les ressorts de porte. Ne coupez pas un tuyau de vidange ondulé. Tirez l'excès de tuyau au travers de la caisse et placez-le sous l'évier. Assurez-vous que le tuyau n'entre pas en contact avec des bords acérés. **Voir figure 10.**



La boucle du flexible de drain doit être à une hauteur d'au moins 80 cm (32 po) du sol pour assurer un bon drainage.

# Achèvement des raccordements d'eau

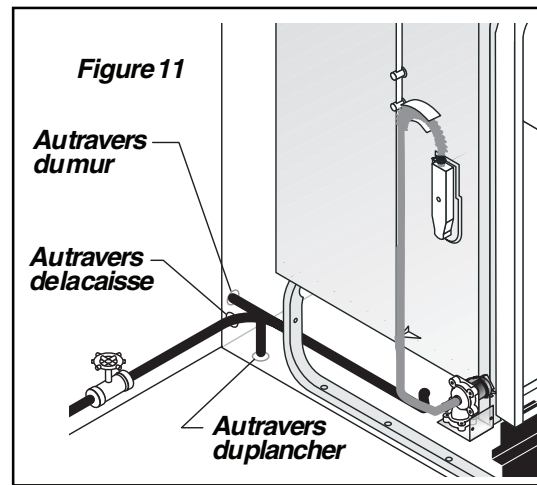
7

## ATTENTION

**Domage matériel**  
Ne soudez pas à moins de 6 po du robinet d'eau. Il y a risque sinon que les pièces plastiques du robinet ne s'endommagent.  
Ne faites pénétrer aucun produit d'étanchéité, saleté ou matières étrangères dans le robinet, au risque sinon d'endommager le tamis.  
Assurez-vous de placer le lave-vaisselle là où le robinet sera protégé du gel. Sinon il y a risque de rupture et d'inondation.

## Conduite d'eau

- Rincez la conduite d'eau avant de la raccorder au robinet pour empêcher que le tamis du filtre ne se bouche prématurément. Bouchez l'extrémité de la conduite avec une serviette en bouchon pour éviter les éclaboussures. Ouvrez le robinet pendant quelques secondes et laissez l'eau s'écouler dans un récipient. **Arrêtez l'eau au robinet d'arrêt.**
- Disposez la conduite d'eau vers le robinet d'eau, comme il est indiqué à la figure 11.
- Tout en tirant fermement la conduite d'alimentation d'eau dans le coude à 90°, raccordez bien l'alimentation d'eau au robinet. La conduite d'alimentation ne doit pas être entortillée et ne doit pas comporter de tartre, copeaux et lubrifiants.
- Ouvrez l'eau et vérifiez l'absence de fuite.
- Si entrée d'eau sabots de soupapes, assurez-vous que l'alimentation en eau est coupée. Si vous utilisez une vanne NPT 3/8 po, enlever les quatre (4) vis à l'extrémité d'entrée de la vanne et nettoyer le tamis. Si vous utilisez 3/4 po HTF simplement nettoyer l'écran du filtre.



# Achèvement des raccordements électriques

8

## ATTENTION

**Risque de décharge électrique**  
Assurez-vous que le courant a été débranché à la boîte de fusibles ou disjoncteurs.

Le lave-vaisselle doit être relié à un système de câblage métallique permanent mis à la terre. Le conducteur de mise à la terre de l'appareil doit être installé avec les conducteurs du circuit et relié au conducteur ou à la borne de terre de l'appareil. Il revient au client de prendre contact avec un installateur qualifié pour s'assurer que l'installation électrique est conforme au Code national de l'électricité, et aux codes ou arrêtés locaux.

Ne reliez pas le lave-vaisselle à l'alimentation électrique tant que l'appareil n'est pas mis à la terre de façon permanente. Tous les raccordements doivent être enfermés dans la boîte de jonction. Cet appareil comporte des fils en cuivre.

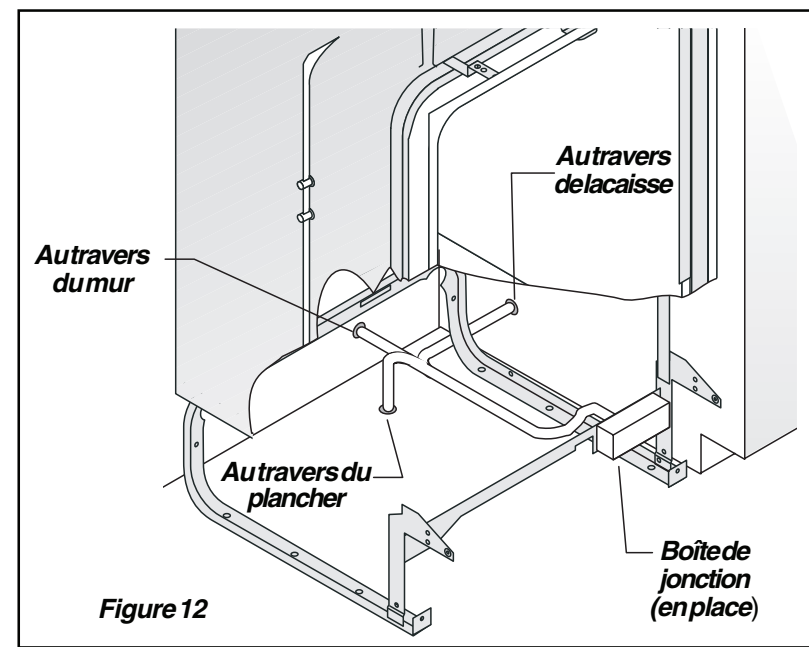
Le raccordement des fils en aluminium de la maison au fil en cuivre toronné doit être réalisé par un électricien compétent à l'aide de matériaux homologués UL et conformes aux codes locaux.

N'utilisez pas de cordon prolongateur. Il y a risque sinon d'incendie, de décharge électrique ou autre blessure.  
Le non respect de ces instructions peut entraîner des blessures graves ou même la mort.

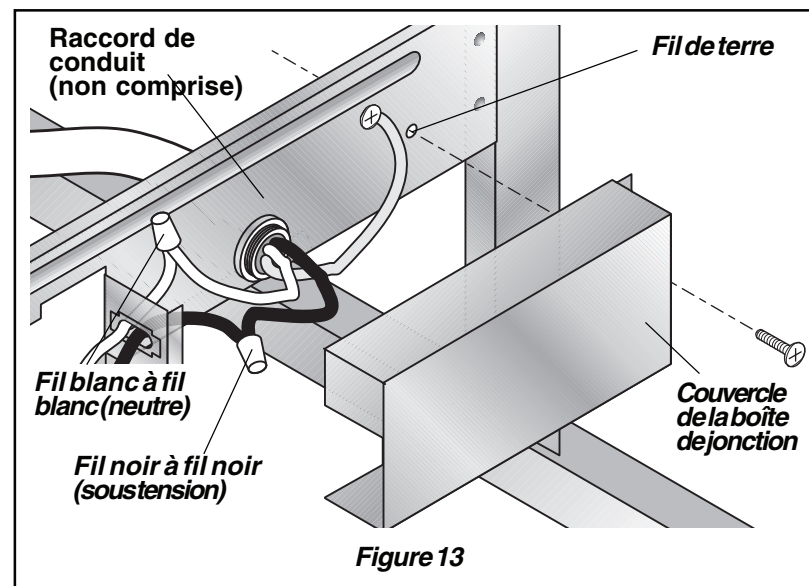
# Alimentation électrique

- Enlevez le couvercle de la boîte de jonction et tirez le câble de la maison dans la boîte de jonction. **Voir figures 12 et 13.**
- Installez à la boîte un raccord de conduit homologué UL, non fourni, pour stabiliser le câblage.

**IMPORTANT: Assurez-vous que le câble électrique n'est pas disposé derrière le moteur du lave-vaisselle.**



- À l'intérieur de la boîte de jonction, raccordez le fil de terre sous la tête de la vis de terre et serrez. **Voir figure 13.**
- Ensuite, raccordez le câble d'arrivée noir au câble noir du lave-vaisselle et le câble d'arrivée blanc au câble blanc du lave-vaisselle à l'aide des connecteurs et autres pièces appropriées, non compris. Les connecteurs doivent être serrés.
- Remettez en place le couvercle de la boîte de jonction. **Voir figure 13.**



# Immobilisation du lave-vaisselle

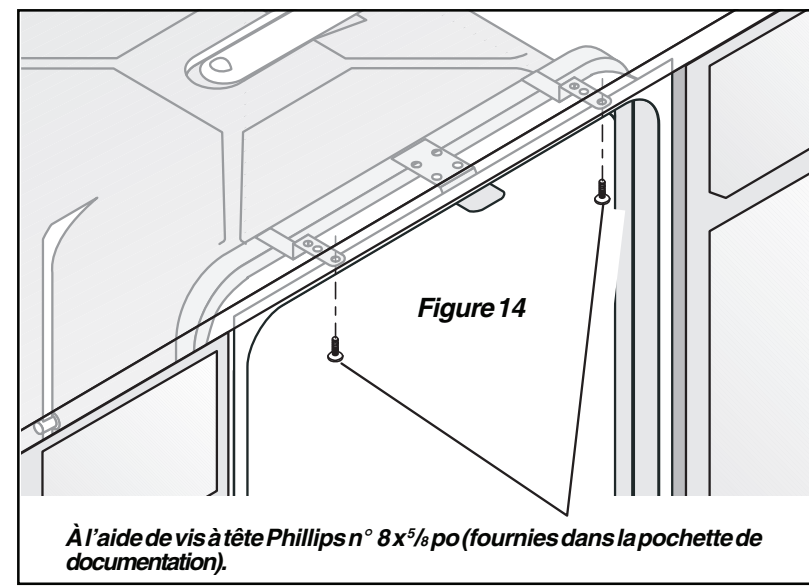
9

Le lave-vaisselle doit être fixé pour éviter qu'il ne se renverse lorsque la porte est ouverte. Choisissez l'une des méthodes suivantes pour immobiliser l'appareil.

## Ancrage au comptoir

- Réglez les dispositifs de mise à niveau (voir étape 5) pour que les supports de montage touchent le dessous du comptoir. **IMPORTANT: Le lave-vaisselle doit être installé avec le sol et ne pas être suspendu au comptoir. Voir figure 14.**
- Vissez fermement les supports de montage au comptoir à l'aide des vis fournies dans la pochette de documentation.
- Ouvrez et fermez doucement la porte du lave-vaisselle. Si la porte touche la tête des vis de support, réglez les dispositifs de mise à niveau avant.
- Tub doit être encore avec l'avant des armoires adjacentes.
- Vissez les supports de montage fermement au comptoir à l'aide des vis fournies dans le paquet de la littérature.
- Ouvrir et fermer la porte lave-vaisselle lentement. Si hits porte supports de montage abaisser le lave-vaisselle à l'avant et à l'arrière.

**REMARQUE: Ouvrez et fermez la porte pour vous assurer qu'elle ne heurte pas les éléments ou les comptoirs environnants.**

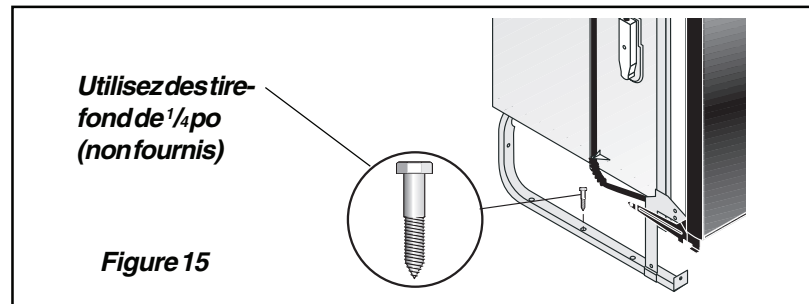


## Ancrage au plancher

Cette méthode est difficile et n'est recommandée que si les supports de montage au comptoir ne peuvent être utilisés.

- Vissez des tire-fond de 1/4 po, non fournis dans les trous prévus du rail du bâti. **Voir figure 15.**
- Utilisez des fixations à expansion si le plancher est en béton.

## Avant de démarrer le lave-vaisselle,



**Remarque: Si vous montez votre lave-vaisselle sur le comptoir ou au sol n'est pas une option souhaitable, vous pouvez commander le kit de montage au côté, 154806601/02, en contactant votre revendeur ou fournisseur de pièces. Cela vous permet d'installer le lave-vaisselle en le fixant aux armoires ou des partitions de chaque côté de l'appareil. Le kit utilise le châssis avant du lave-vaisselle pour assurer l'unité de l'armoire ou partitions.**

# Démontage et remontage de la porte

10

## ATTENTION

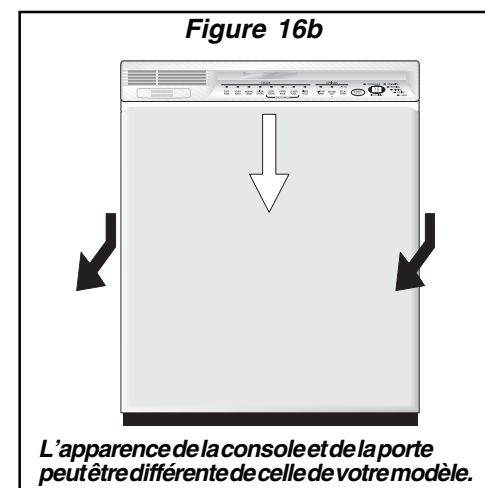
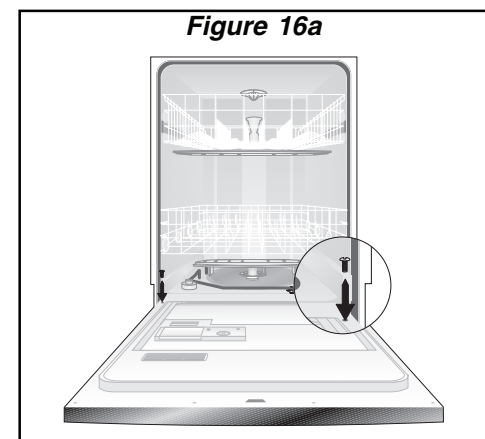
**Risque de décharge électrique**  
Coupez le courant à la boîte de fusibles ou disjoncteurs avant de commencer l'installation.  
Le non respect de cet avertissement peut entraîner de graves blessures ou même la mort.

## ATTENTION

**Risque de coupure**  
Les panneaux en métal sont acérés et doivent être manipulés avec soin. Portez des gants pour vous protéger les mains.  
Le non respect de cet avertissement peut entraîner des blessures.

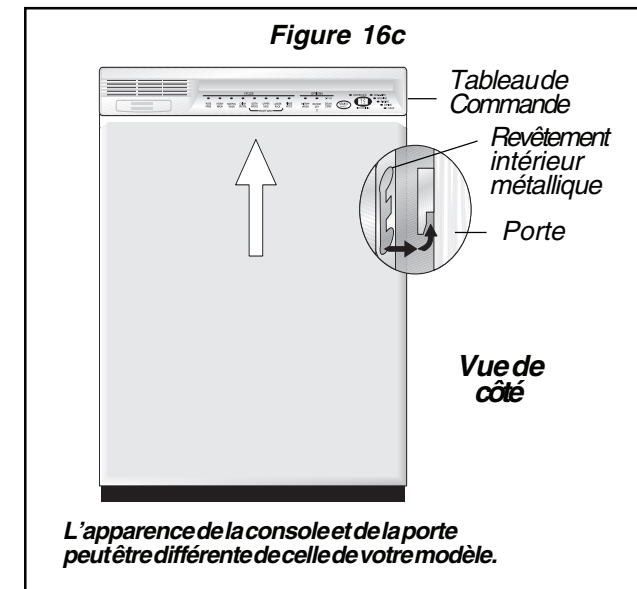
## Pour démonter et remonter la porte extérieure

- Déverrouillez et ouvrez la porte. Retirez les deux (2) vis de la contre-porte avec un tournevis Phillips. Mettez les vis de côté pour le remontage. **Voir figure 16a.**
- Fermez et verrouillez la porte en la tenant de chaque côté.
- En tenant la porte de chaque côté, baissez la partie supérieure d'approximativement 1/4". Pour retirer, tirez tout l'ensemble de porte vers vous. **Voir figure 16b.**
- Placez la porte à un endroit où elle ne pourra s'égratigner ou s'endommager durant l'installation.



L'apparence de la console et de la porte peut être différente de celle de votre modèle.

- Lorsque vous serez en mesure de remonter la porte, desserrez la vis inférieure, de chaque côté du panneau de commande. Alignez les trous de chaque côté du rebord supérieur de la porte sur les attaches de la bordure en métal. Poussez et assurez-vous que la porte est à plat. Poussez vers le haut, en agrippant le bas, jusqu'à ce qu'il n'y ait plus d'espace entre la porte, le tableau de commande et que l'ensemble de fixation s'enclenche. **Voir figure 16c.**



- Déverrouillez et ouvrez la porte en supportant par le bas la porte extérieure des deux côtés, pour la tenir en place. Alignez les trous de vis et remontez les vis.

# Vérification de l'installation

11

## Avant de mettre le lave-vaisselle en marche, vérifiez les points suivants:

- Le flexible de drain est monté sur la pompe de drain.
- Absence de matériau d'emballage et de la documentation destinée au client à l'intérieur du lave-vaisselle.
- Aplomb et immobilisation du lave-vaisselle.
- Ouvrez et fermez la porte pour vous assurer qu'elle ne heurte pas les éléments ou les comptoirs environnants.
- Absence de pincement des conduites d'eau et de vidange.
- Serrage des raccordements électriques.
- Ouverture de l'arrivée d'eau.
- Absence de fuites aux raccordements.

## Remontage de la porte

- Référez à la **Étape 10**, n.o. 5, pour replacer l'extérieur de la porte.
- Réglez les ressorts de porte pour équilibrer le poids des panneaux en bois. Un ressort bien réglé permet à la porte de rester horizontale en position grande ouverte, et cependant, de se fermer au simple toucher du doigt.
- Au besoin, augmentez la tension en déplaçant les ressorts vers un trou situé à l'arrière du lave-vaisselle ou diminuez la tension en déplaçant les ressorts vers l'avant. **Voir figure 17.**
- Ouvrez l'alimentation électrique.

## Faites passer l'appareil par au moins un cycle de remplissage et de vidange pour vérifier les opérations suivantes:

- Au remplissage, assurez-vous que l'eau recouvre complètement la surface du filtre. (La pompe du moteur peut être entendue avant que l'eau n'entre dans l'appareil).
- À la vidange, assurez-vous que toute l'eau est évacuée.
- Vérifiez encore l'absence de fuites d'eau aux raccordements.

## ATTENTION

**Risque de décharge électrique**  
Si tous les raccordements sont bien faits, il n'y aura aucune fuite et l'appareil fonctionnera correctement. Remplacez alors la plaque inférieure avant de mettre l'appareil en marche.  
Le non respect de cet avertissement peut entraîner une décharge électrique.